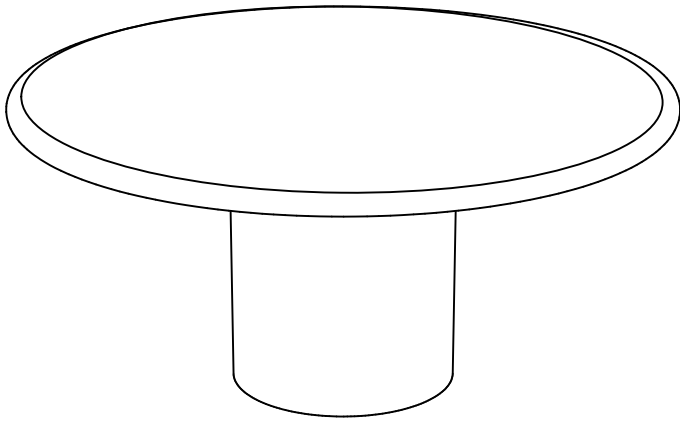


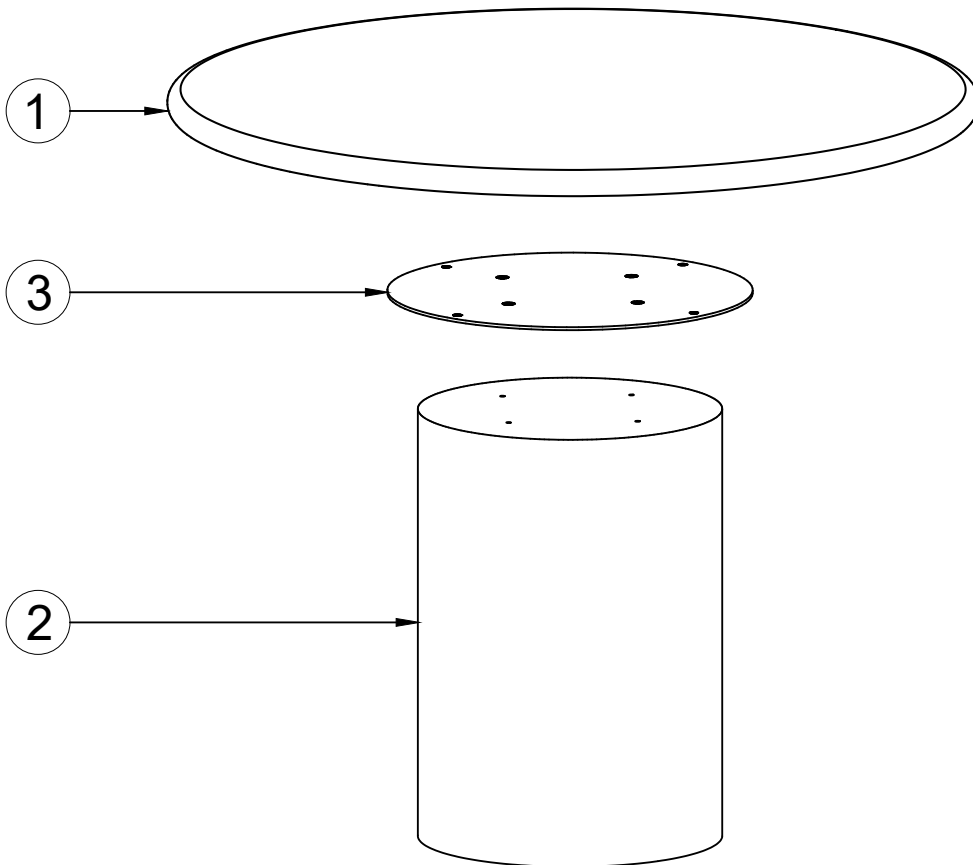
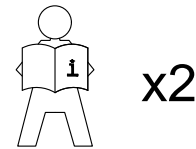
ASSEMBLY INSTRUCTION FOR  
MODEL: COFFEE TABLE

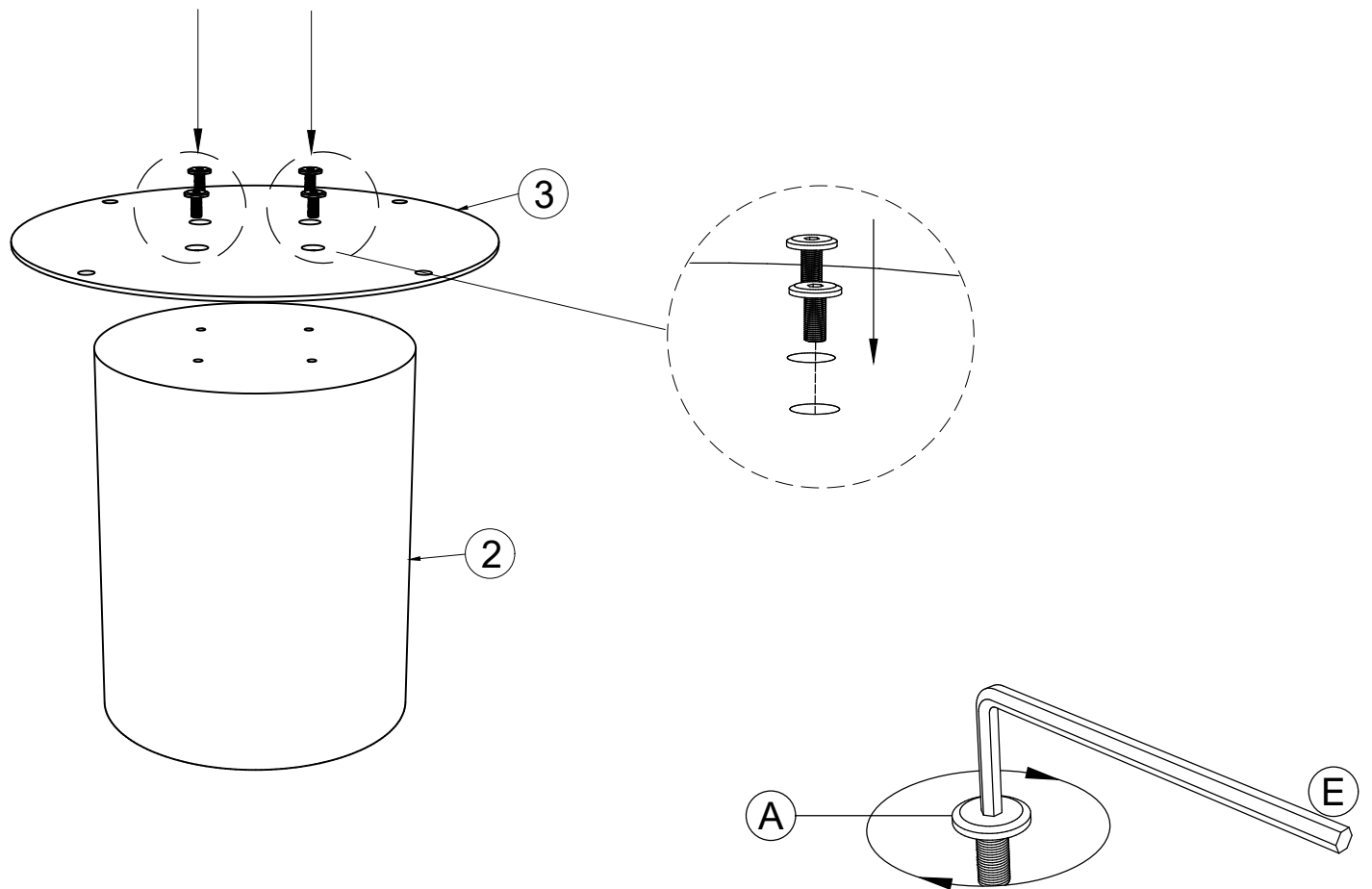
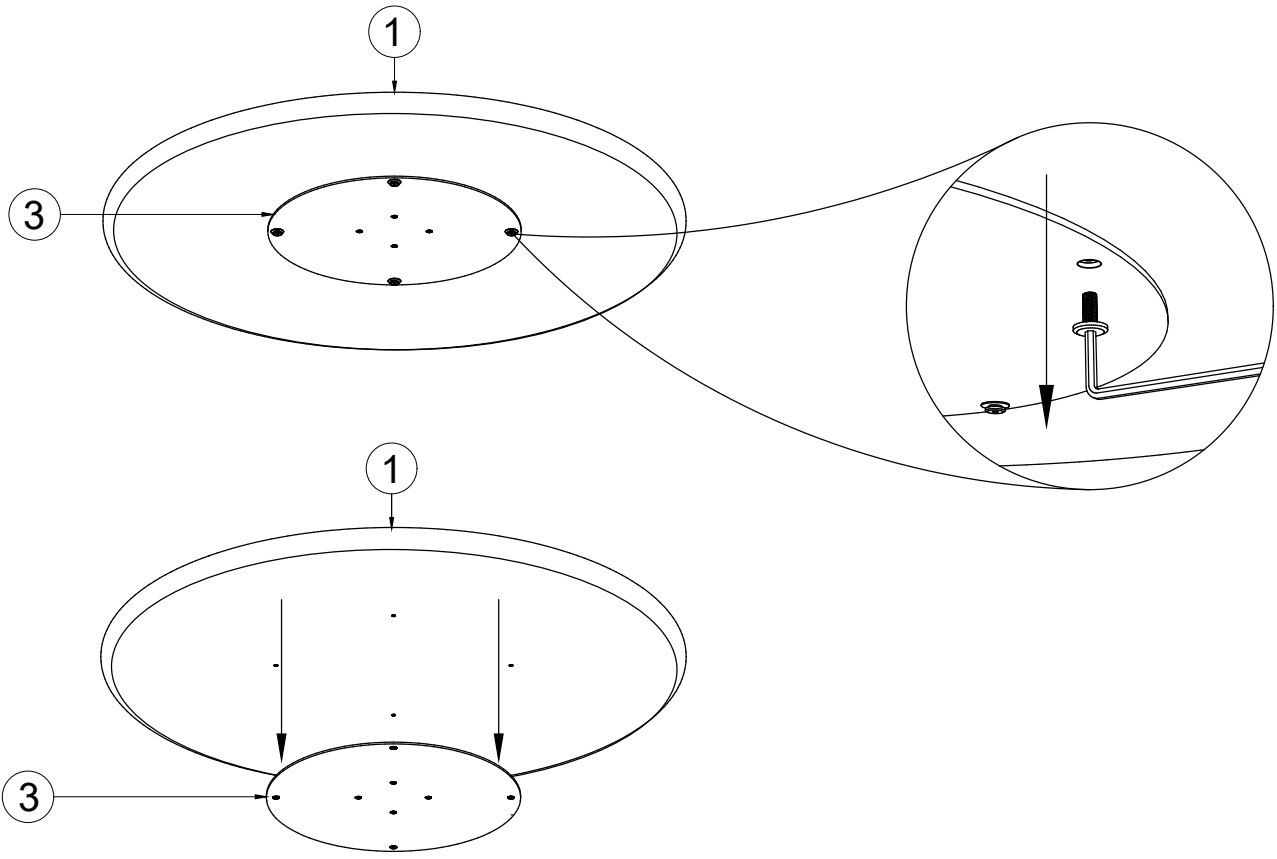
### HARDWARE LIST

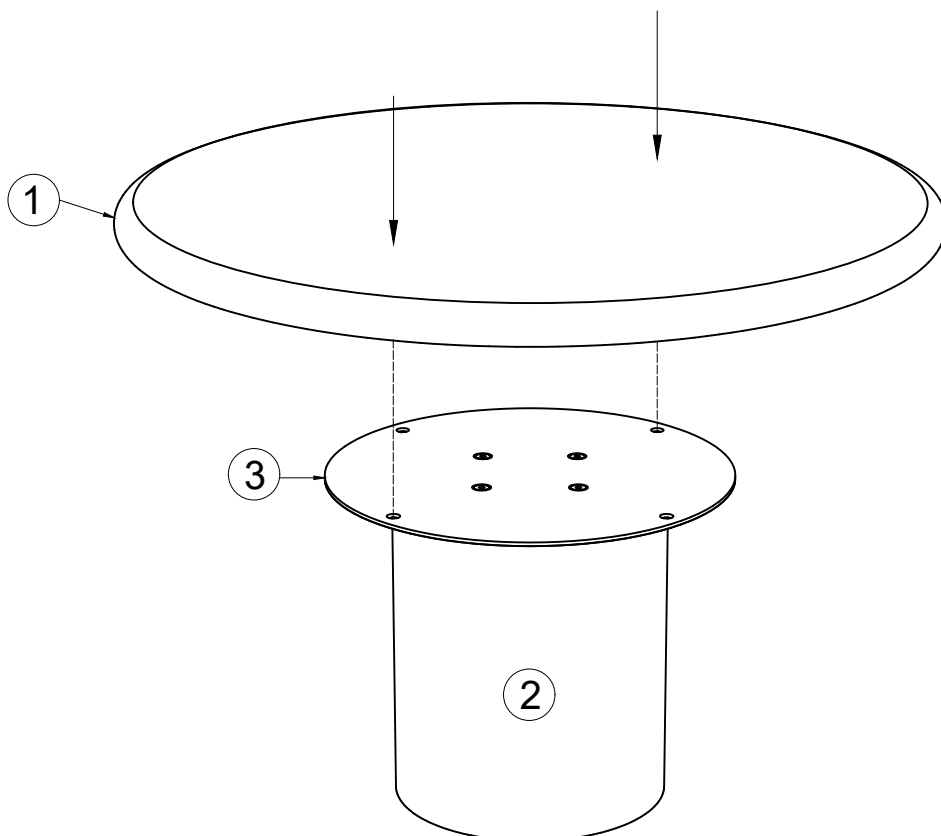
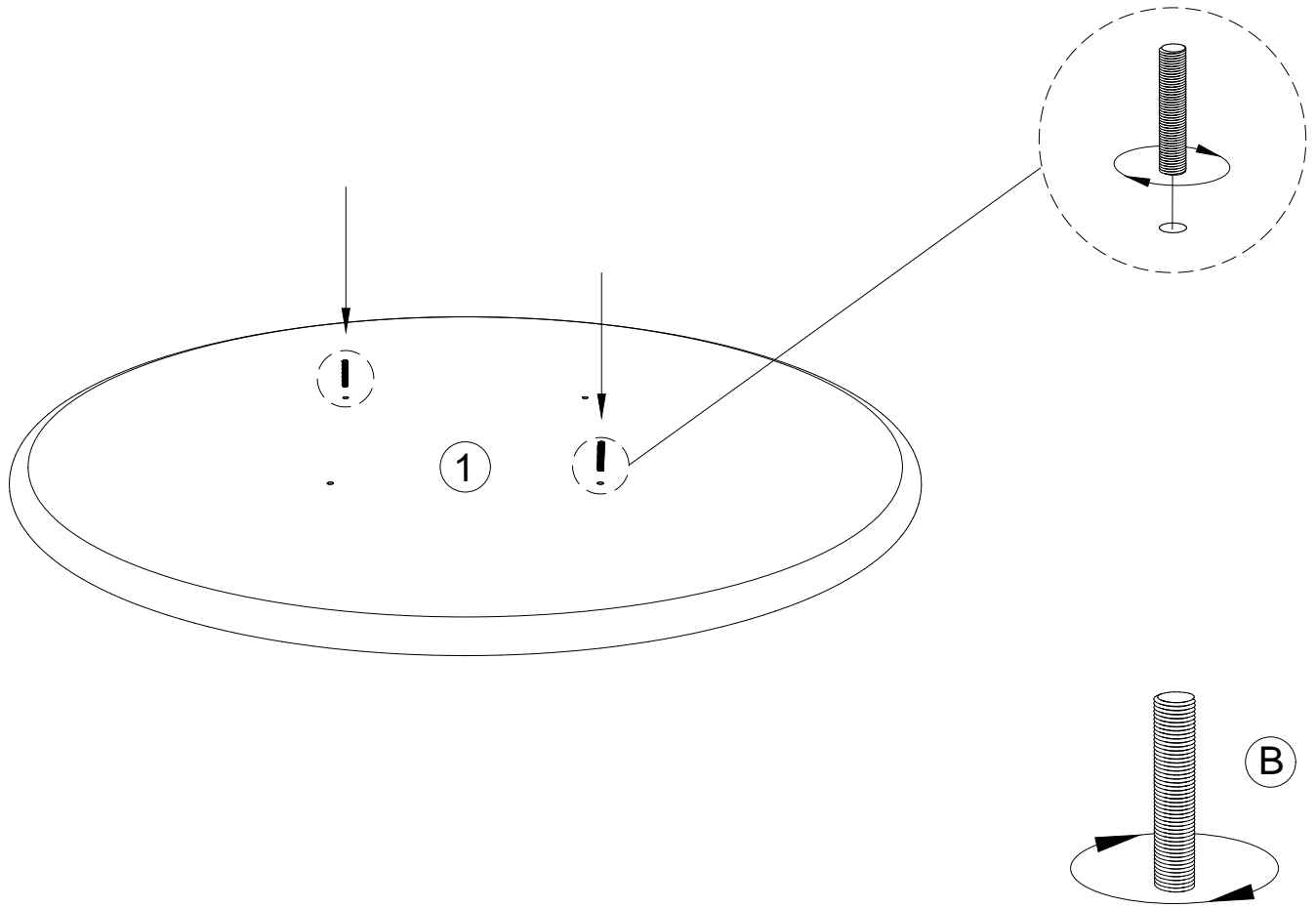
A		Bolts	M8x25mm	8 (4 already on top)
B		Located Bolts	8x40mm	2
C		Flat Washer	8x23mm	4
D		Lock Washer	8x12mm	4
E		Key K4		1

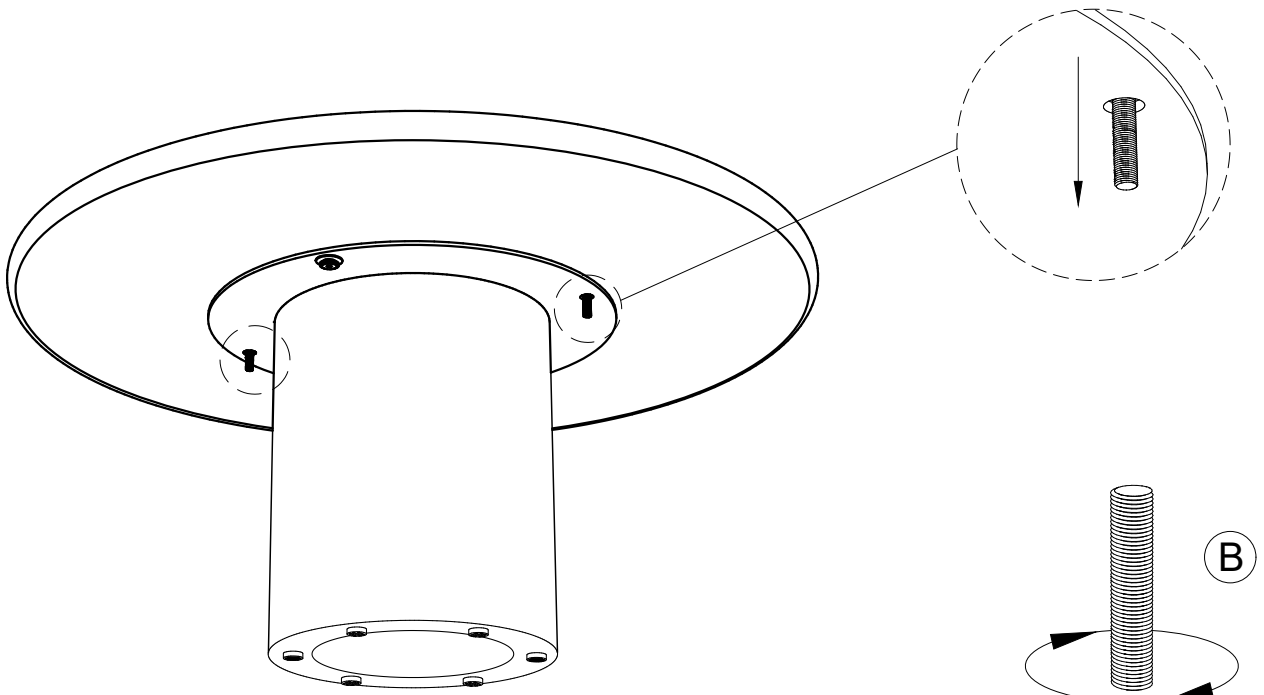
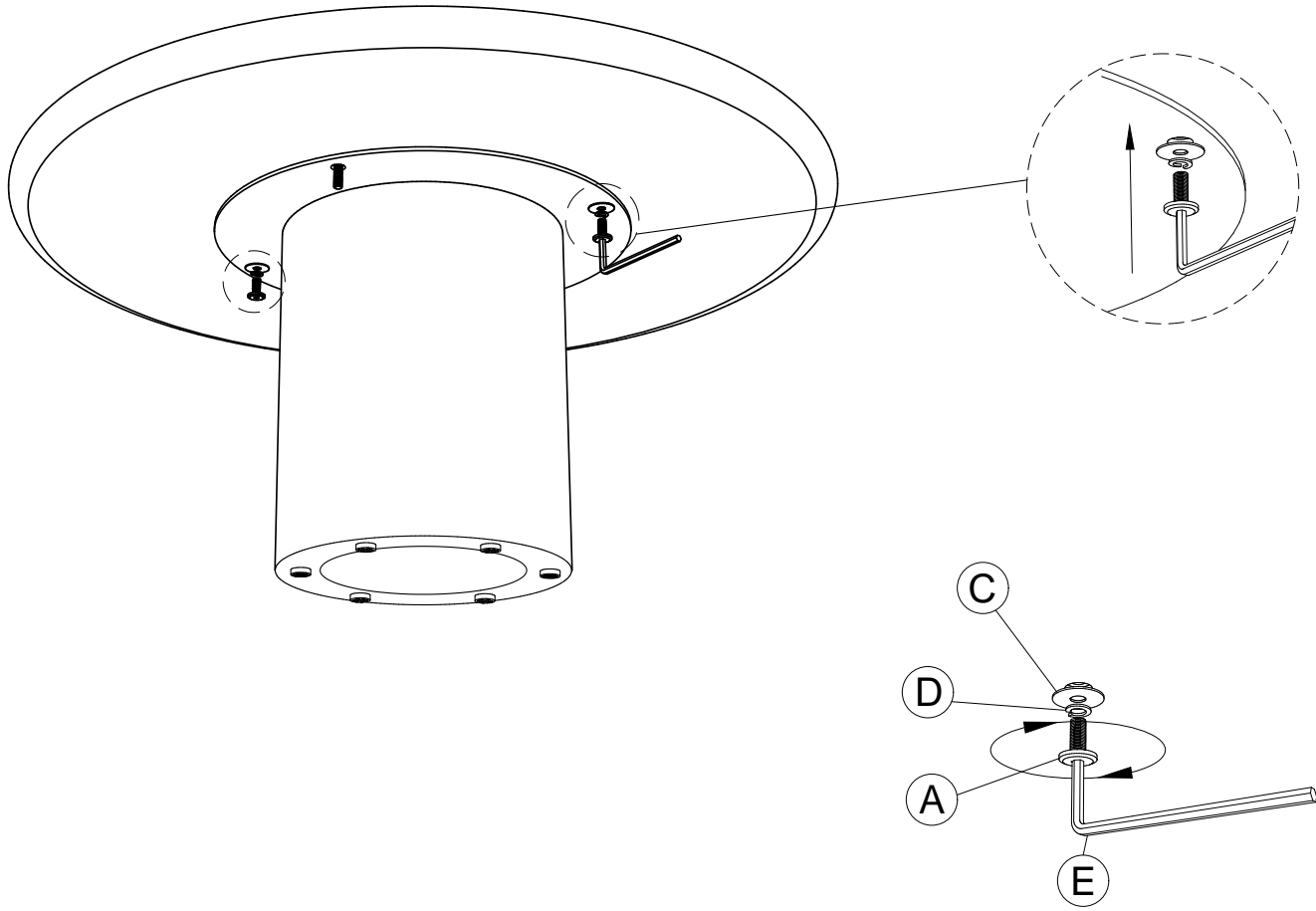


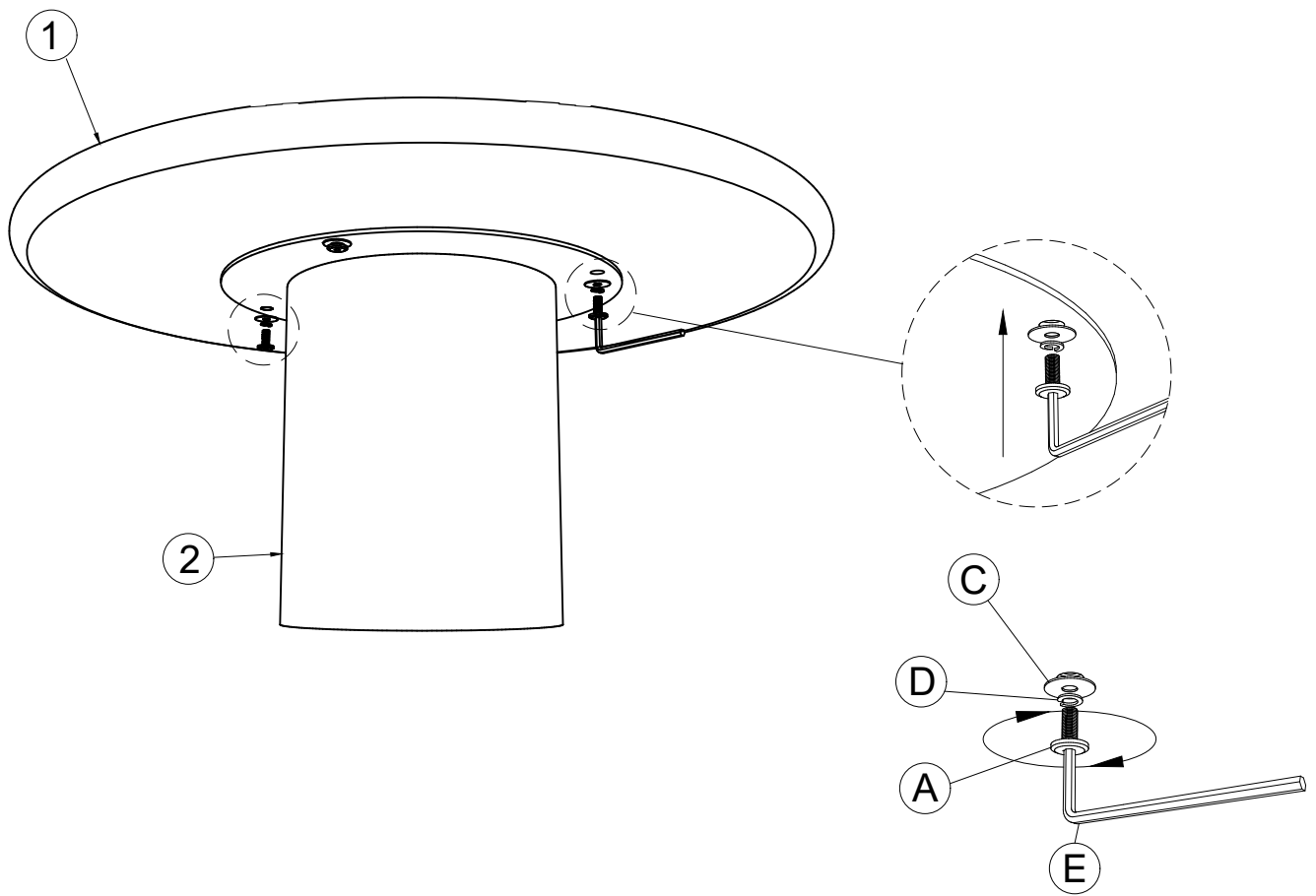
**PROFESSIONAL INSTALLATION REQUIRED**











## Adjusting Floor Levelers

Your furniture has been expertly crafted and pre-adjusted by professionals. However, slight shifts can occur during transportation. If you notice that the doors are not perfectly aligned or the furniture wobbles, a quick adjustment can help ensure stability and a seamless look.

### Adjust the Floor Levelers

**Check for Stability** – Place the furniture in its final position on a level surface. If it wobbles or doesn't sit evenly, the floor levelers need adjusting.

**Locate the Levelers** – These are small adjustable feet found at the bottom corners of your furniture.

**Adjust as Needed** – Using your hand or a wrench, turn the levelers clockwise to raise or counterclockwise to lower the furniture. Make small adjustments and check stability after each turn.

