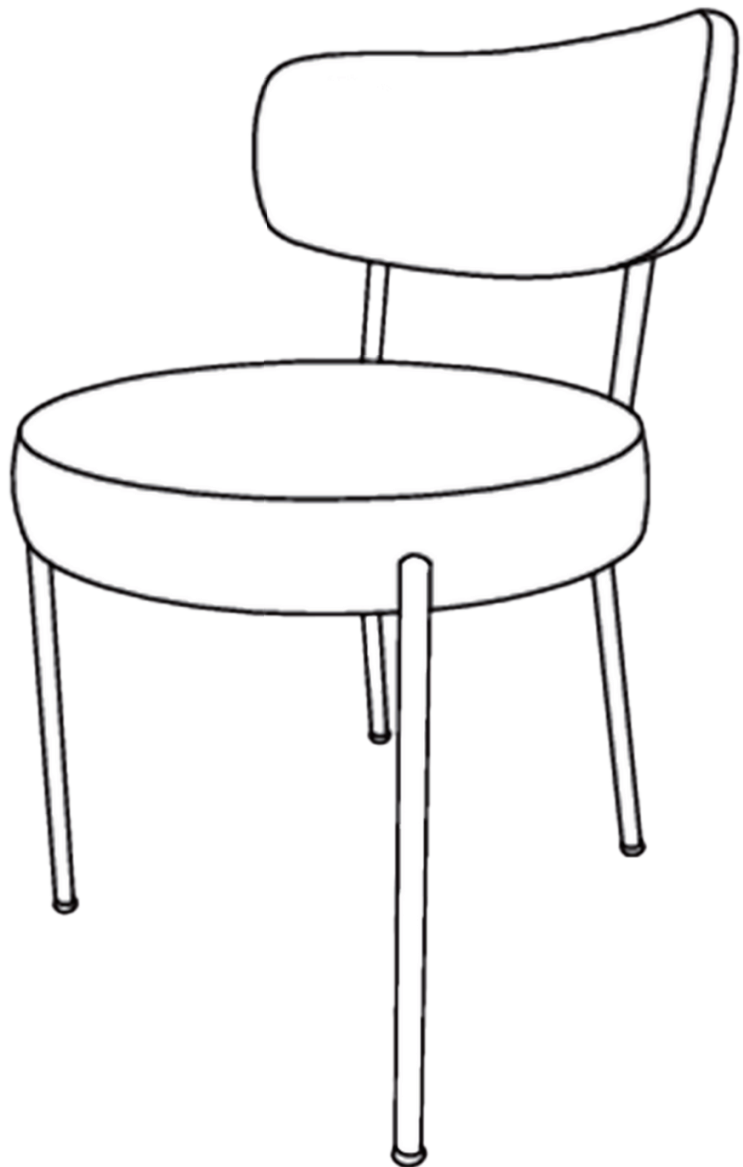


# **ASSEMBLY INSTRUCTION**

## **DINING CHAIR**

**C238**



# ASSEMBLY GUIDE

## IMPORTANT SAFETY NOTICE: READ CAREFULLY BEFORE BEGINNING ASSEMBLY!



Follow the assembly steps in order. **DO NOT** skip any steps.



Always using proper tools. **DO NOT** use power tools to assembly.



Be sure to check all packing materials carefully before start, if parts are missing, please contact us to obtain any missing parts. **DO NOT USE SUBSTITUTE PARTS.**



Keep the instructions and extra materials for future reference.



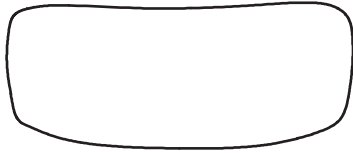
Periodically check to ensure that all connectors (bolts, screws, etc.) are tight, please keep the Allen key whenever needed.



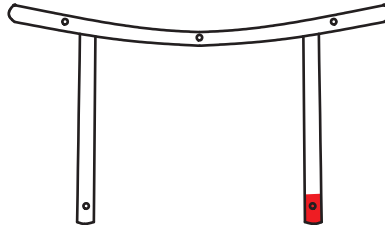
Where assembly instructions state that the assembly requires two or more people, **DO NOT** attempt by yourself as there is a risk of injury.

# PACKAGE LIST

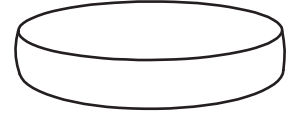
A\*1



B\*1

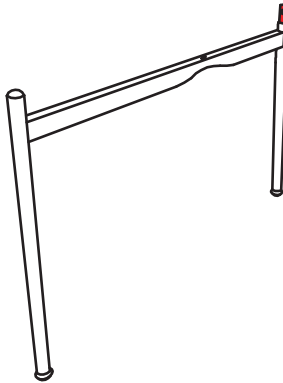


C\*1

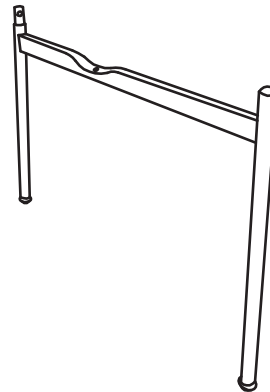


The two red markings indicate the correct installation direction.

D\*1



E\*1



F\*4



M6\*45 MM

G\*2



M6\*14 MM

H\*4

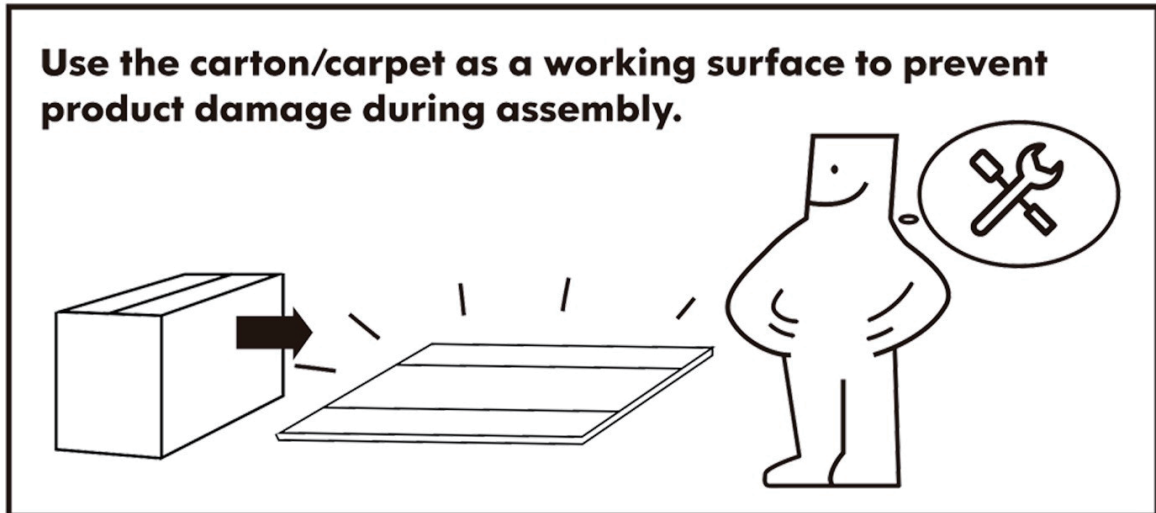


M6\*30 MM

I\*1

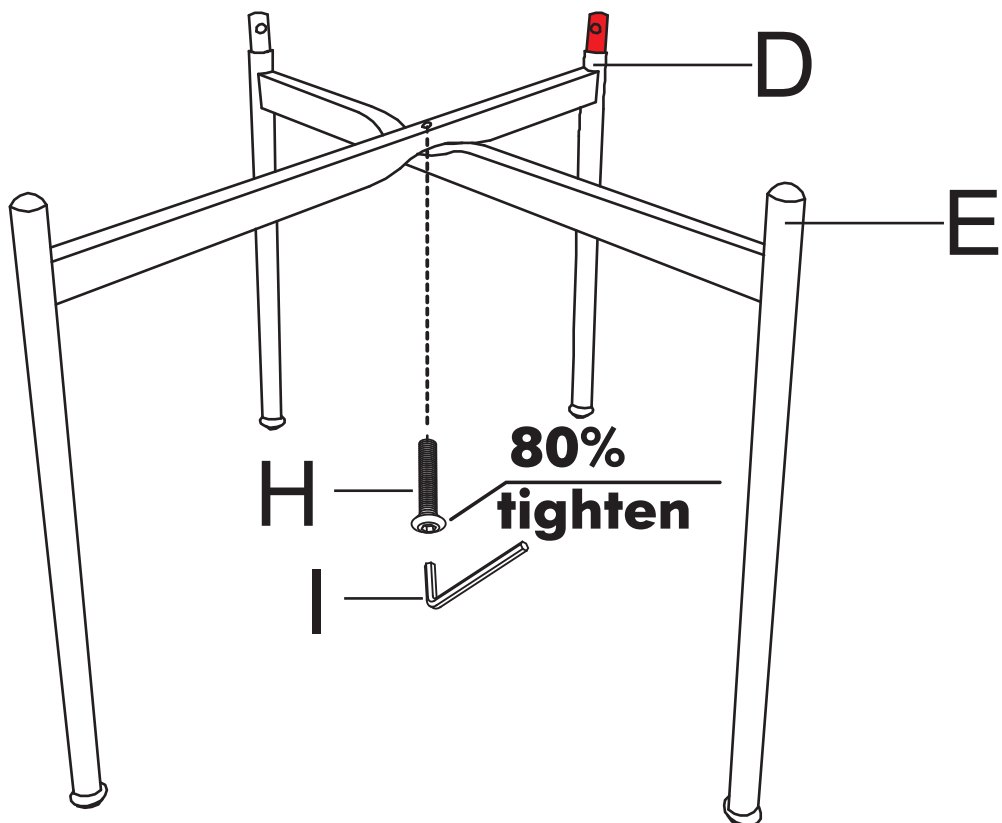


# ASSEMBLY INSTRUCTIONS



## STEP 1

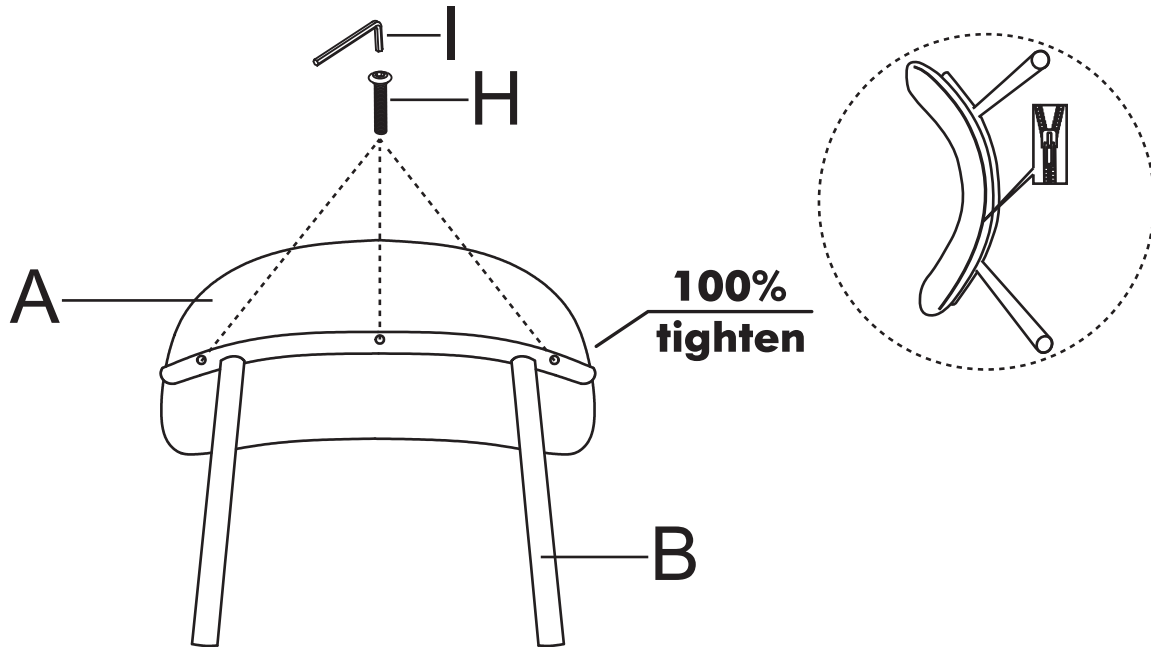
Place chair leg **D** on top of chair leg **E**, and then insert screw **H** into the center hole.



**DO NOT** over tighten the bolts, 80% is enough.

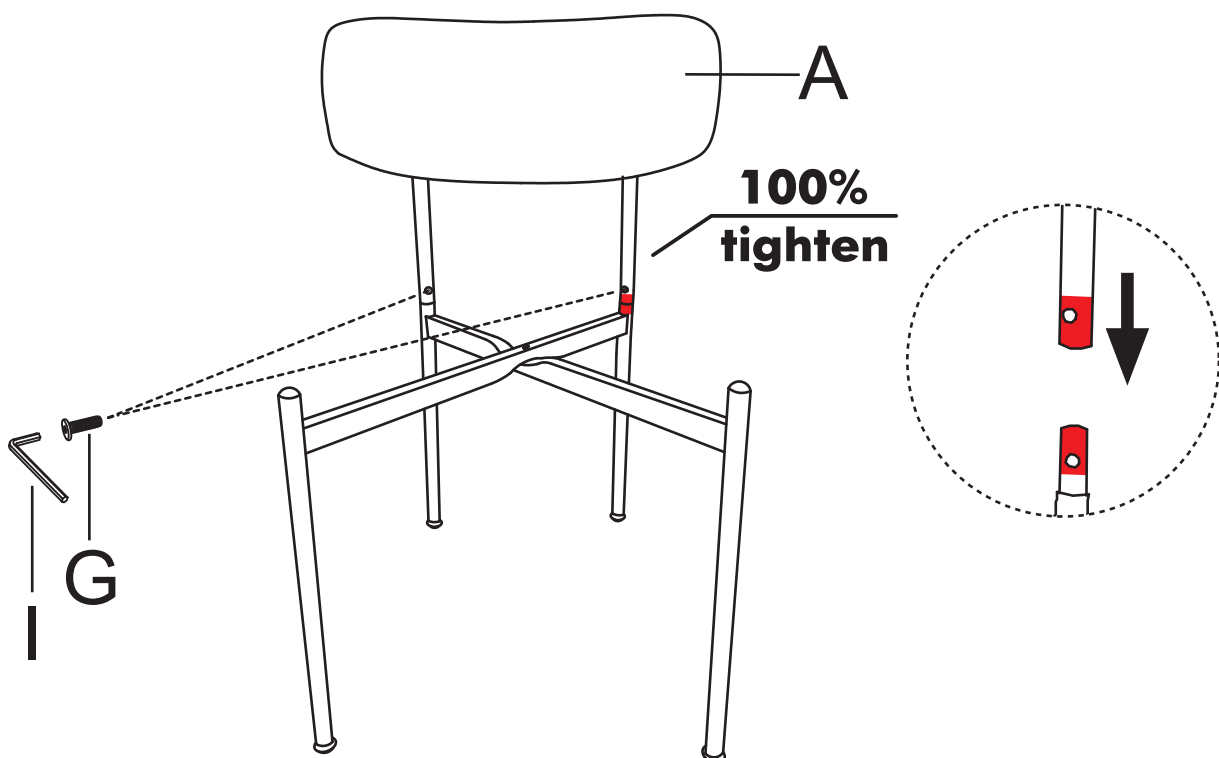
## STEP 2

**Install the screw H in the correct position, and then tighten it 100%. Note: The zipper position below is the correct direction.**



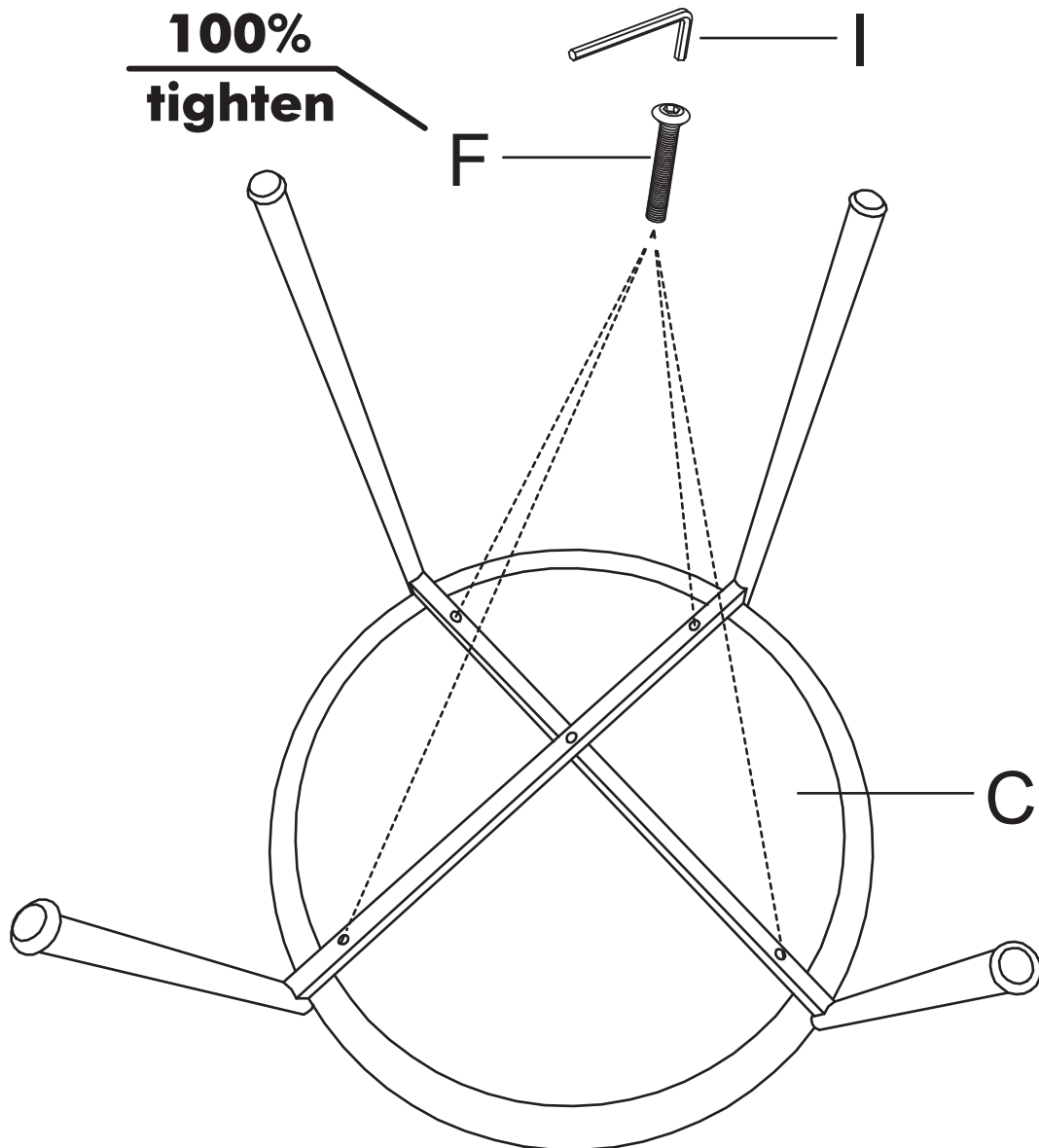
## STEP 3

**Insert the backrest A, ensuring the two red markings align, then install screw G in the holes on both sides.**



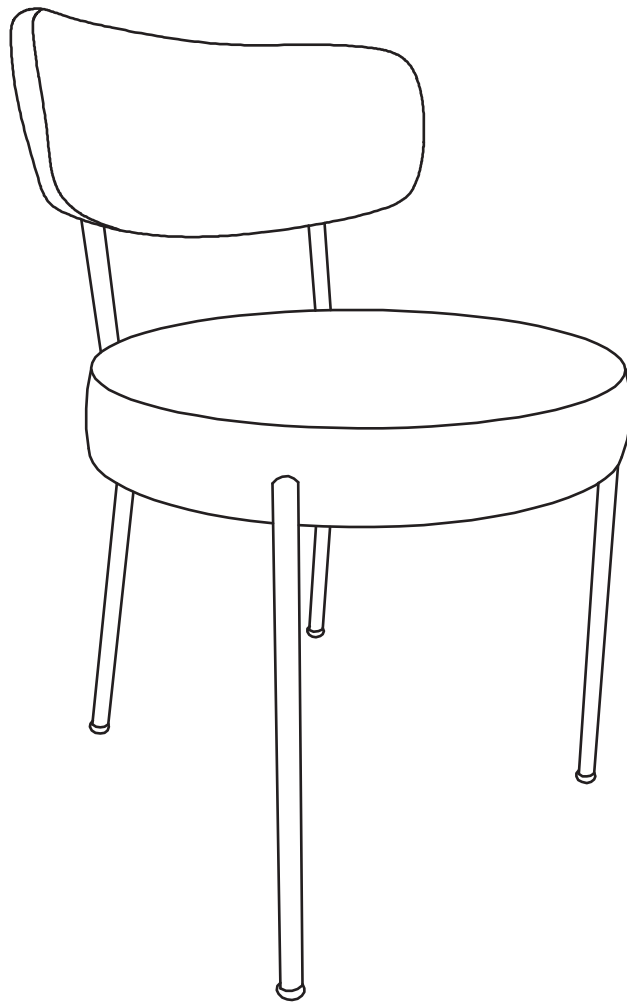
## STEP 4

**Place seat cushion C on the chair legs, then tighten screws F securely.**



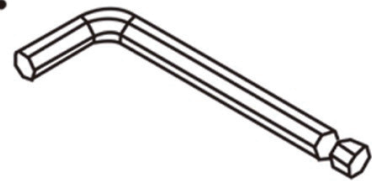
## STEP 5

**The chair is installed,  
enjoy it.**



### **A friendly reminder from us:**

Please keep the Allen wrench.  
After a period of time, there may be a chance  
the KD furniture may become loose, please  
use an Allen wrench to tighten the loose bolts.



**WARNING!! IF CHAIR IS NOT STABLE , DO NOT USE, IT COULD LEAD TO  
DAMAGING THE PRODUCT.**

# CARE & MAINTENANCE



DO NOT PUT HOT ITEMS DIRECTLY ON FURNITURE SURFACE.



DO NOT CLEAN FURNITURE WITH HARSH CLEANSERS OR POLISH.



DO NOT PLACE FURNITURE UNDER DIRECT SUNLIGHT.



DO NOT PLACE FURNITURE NEAR HEATING OR COOLING VENTS.



DO NOT WRITE ON FURNITURE WITHOUT A PADDED BARRIER TO PROTECT THE SURFACE.



DO NOT PLACE FURNITURE OUTSIDE, FOR INDOOR USE ONLY.



STAINS MAY BE REMOVED WITH MILD SOAP SOLUTION AND DAMP CLOTH.



DUST AND PICK-UP SPILLS USING A CLEAN, NON-COLORED, LINT-FREE CLOTH.

- **DO NOT** stand on the chair. **DO NOT** use the chair as stepladder.
- Use this product for seating one person at a time.
- **DO NOT** use the chair unless all bolts and screws are firmly secured.
- Avoid contact with sharp objects to prevent puncturing the fabric.
- Every 6 months or whenever needed, check all bolts and screws to ensure they are tight.
- Chair weight limit not to exceed **250 LBS.**