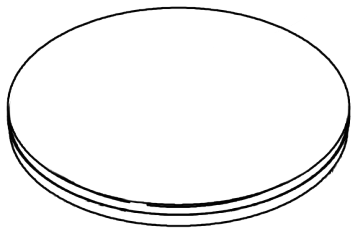


Assembly Manual

SKU:Eagle-VinBlack-YM



1



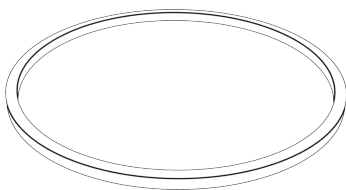
1pc

2



3pcS

3



1pc

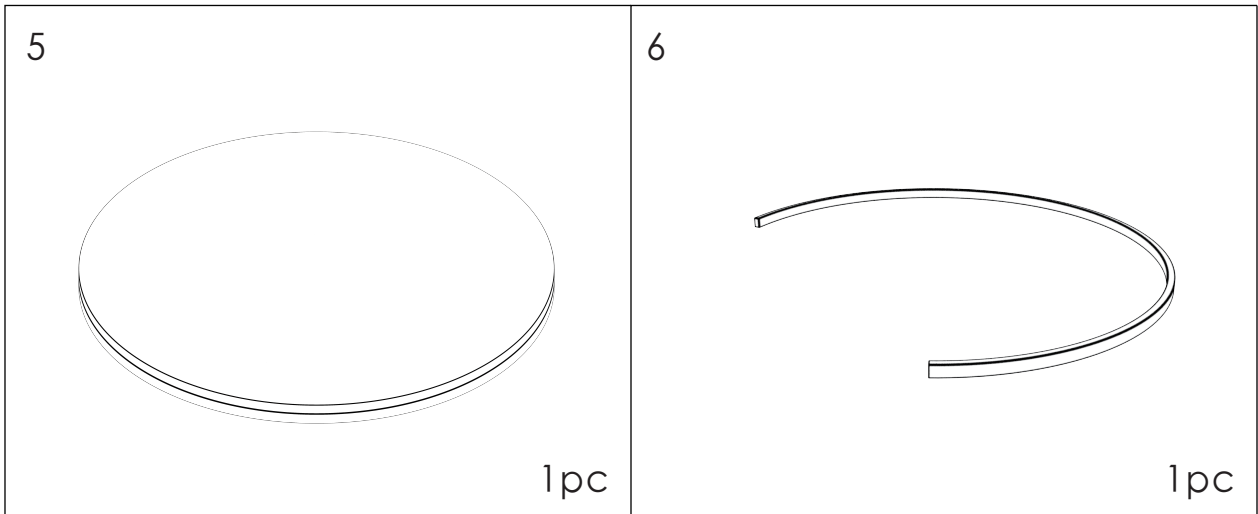
4

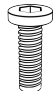
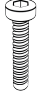



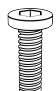
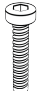
3pcS

Assembly Manual

SKU:Eagle-VinBlack-YM

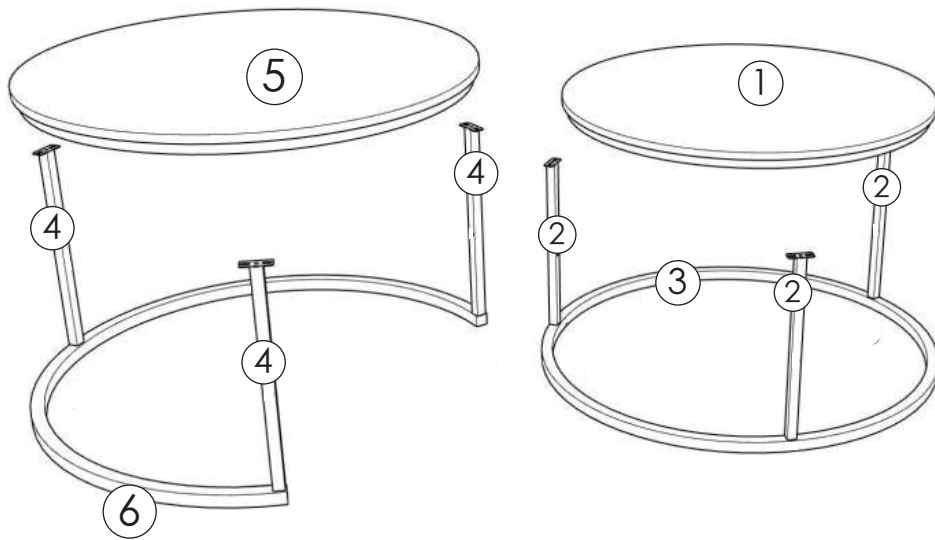


| Hardware Accessories | | | | | | | | |
|----------------------|---|----------|-----|--|-----|---|----------|-----|
| NO. | PICTURE | SIZE | QTY | | NO. | PICTURE | SIZE | QTY |
| A |  | M6*L13mm | 12 | | B |  | M6*L35mm | 6 |
| C |  | | 1 | | | | | |

| SPARE | | | | | | | | |
|-------|---|----------|-----|--|-----|---|----------|-----|
| NO. | PICTURE | SIZE | QTY | | NO. | PICTURE | SIZE | QTY |
| A |  | M6*L13mm | 1 | | B |  | M6*L35mm | 1 |

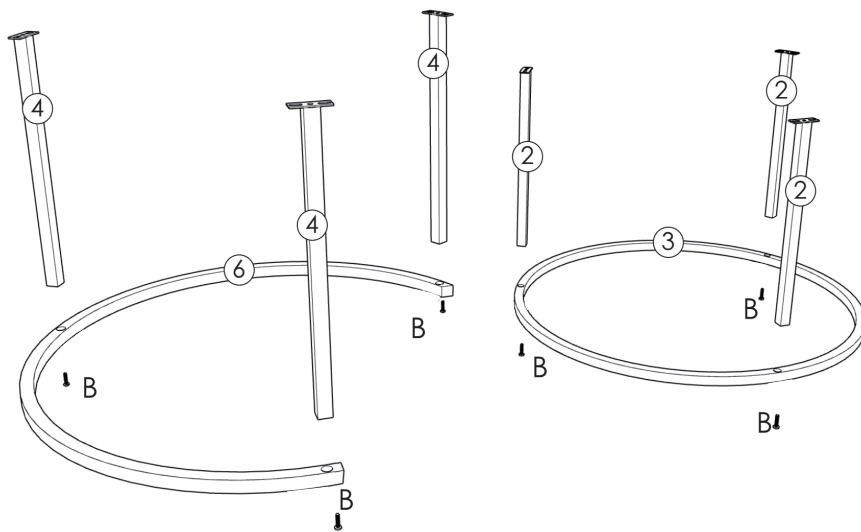
Before assembly, please put all parts on a neat and clean sheet

Exploded View



Installation procedures

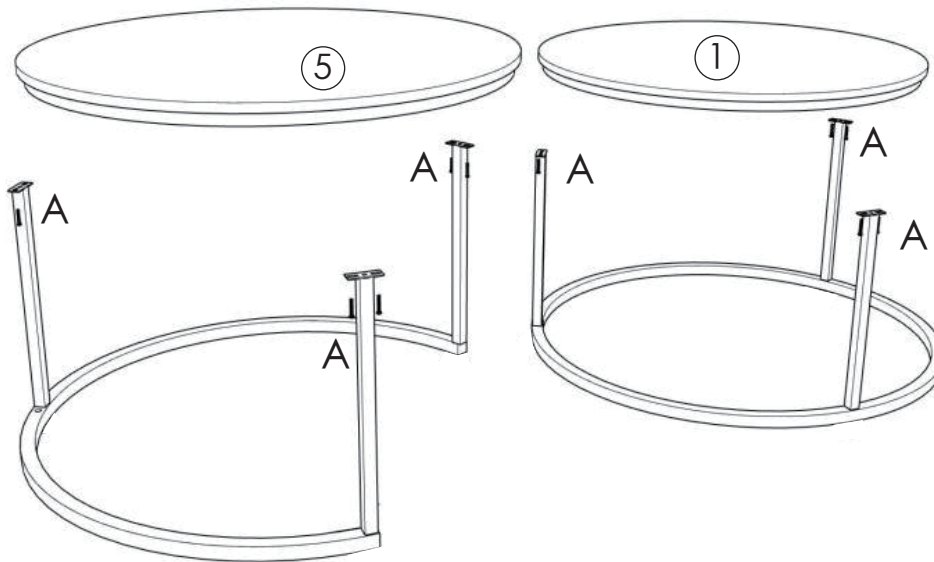
step 1



②*3 ④*3 ③*1 ⑥*1 B*6



step 2



A*12 ①*1 ⑤*1

When assembling stand with board ring, and if you find it is not in right position then need to adjust the screw, change the position a little bit and then it will be adjusted.

COMPLETED DRAWING

