
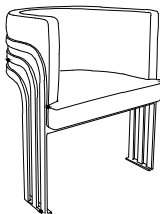
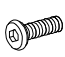
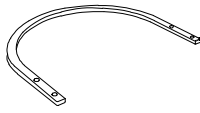
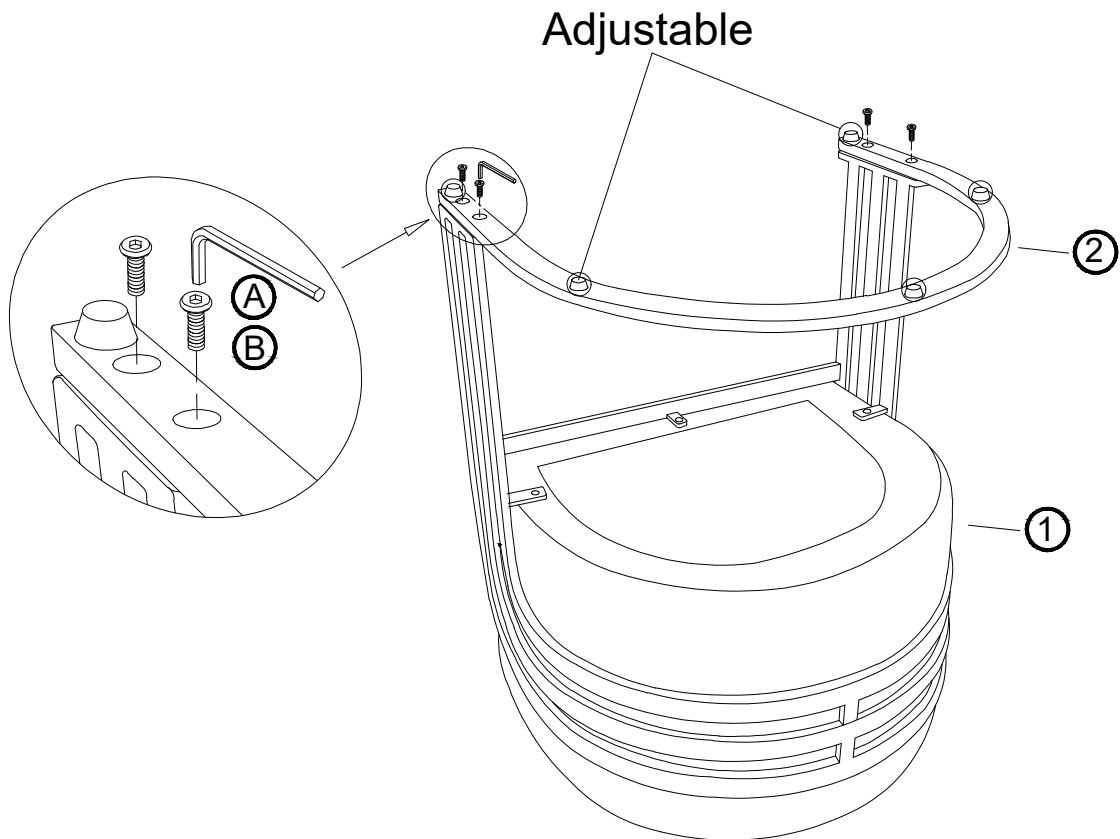


ASSEMBLY INSTRUCTIONS FOR ITEM NO:SC020-SC027

HARDWARE LIST					PARTS LIST			
NO.	DESCRIPTION	SKETCH	SIZE	QTY	NO.	DESCRIPTION	SKETCH	QTY
Ⓐ	Allen Key		5MM	1PC	①	Frame		1PC
Ⓑ	Bolt		M8*18	4PCS	②	Base Loop		1PC

STEP 1



ASSEMBLY INSTRUCTIONS FOR ITEM NO:SC020-SC027

STEP 2

