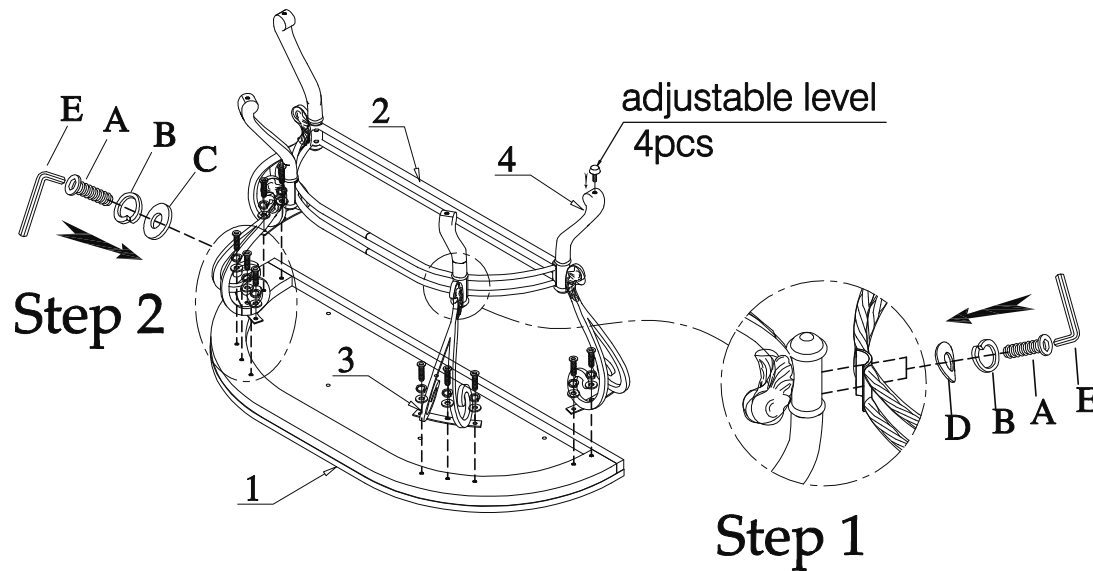


# ASSEMBLY INSTRUCTION

## Sofa Table

Thank you for purchasing this quality product. Be sure to check all packing material carefully for small parts which may have come loose inside the carton during shipment. Identify and count all parts and compare with the Parts List below.



### PART LIST

No	Drawing	Description	Qty
1		TOP FRAME	1
2		METAL RING	1
3		FRONT LEG	2
4		LEF/RSF BACK LEG	2

### HARDWARE LIST

No	Drawing	Description	Qty
A		φ 1/4" Allen Bolt	18
B		φ 1/4" Spring Washer	18
C		φ 1/4" Flat Washer	10
D		φ 1/4" Camber Washer	8
E		4mm Hex. Wrench	1

MADE IN VIETNAM