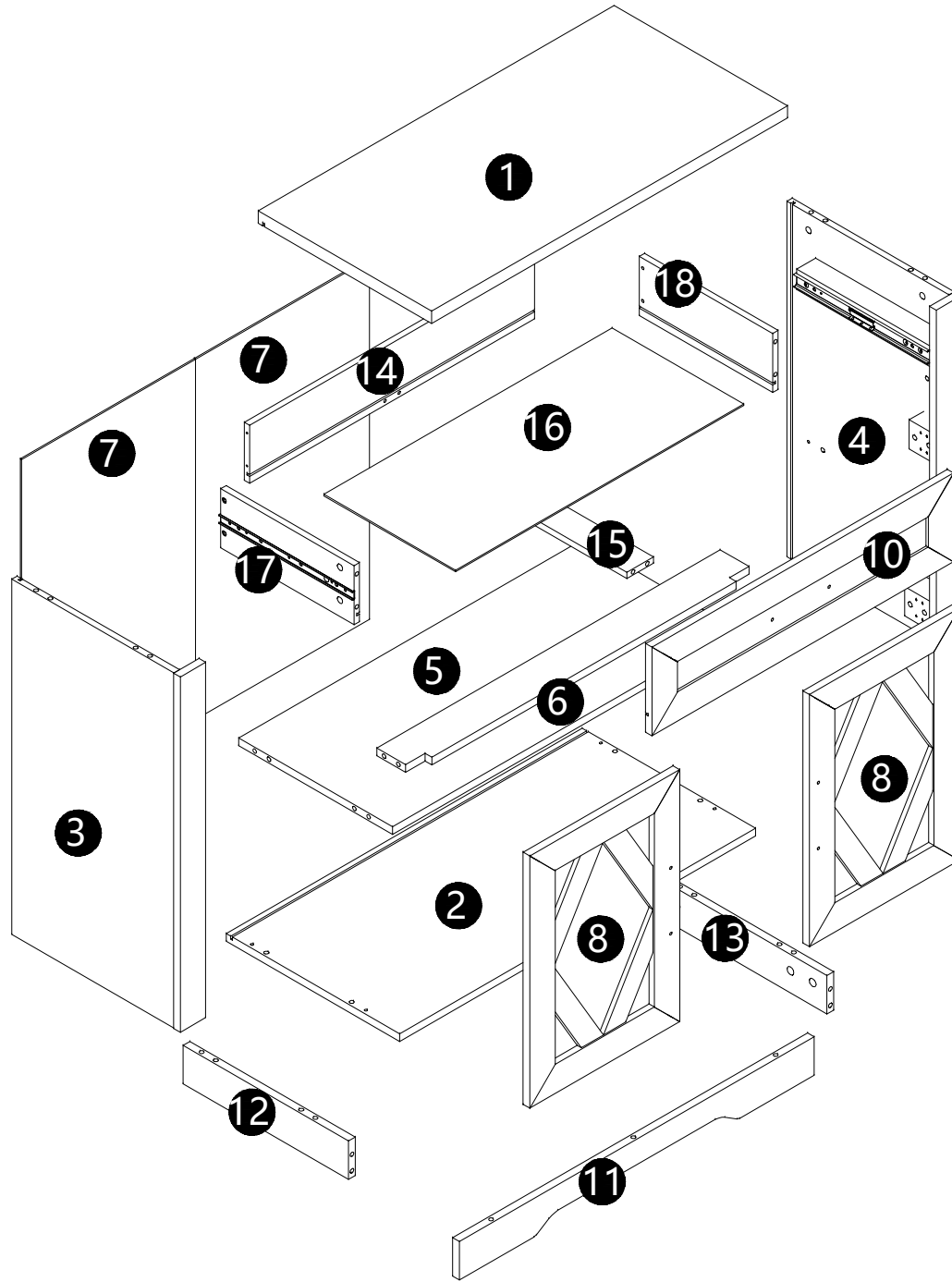


# Assembly Instructions

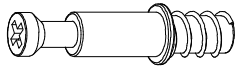
IMPORTANT: please read this manual carefully before beginning assembly of this product. keep this manual for future reference.

# WHAT'S IN THE BOX



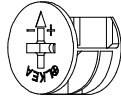
X 2

# WHAT'S IN THE BOX



Cam bolt

**A** x 48



Cam lock

**B** x 28



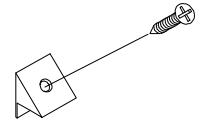
Wooden dowel

**C** x 42



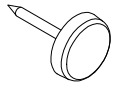
Cam lock

**D** x 20



Plastic wedge  
with screw

**E** x 20



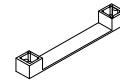
PVC nail with pin

**F** x 12



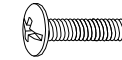
Pull handle screw

**G** x 4



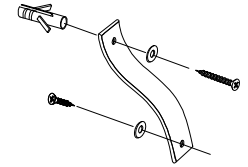
Handle

**H** x 6

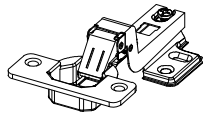


Handle bolt

**I** x 8



**J** x 2



Hinge

**K** x 8



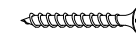
Screw

**L** x 48



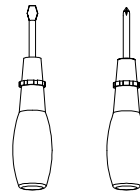
Silencing pad

**M** x 4



Screw

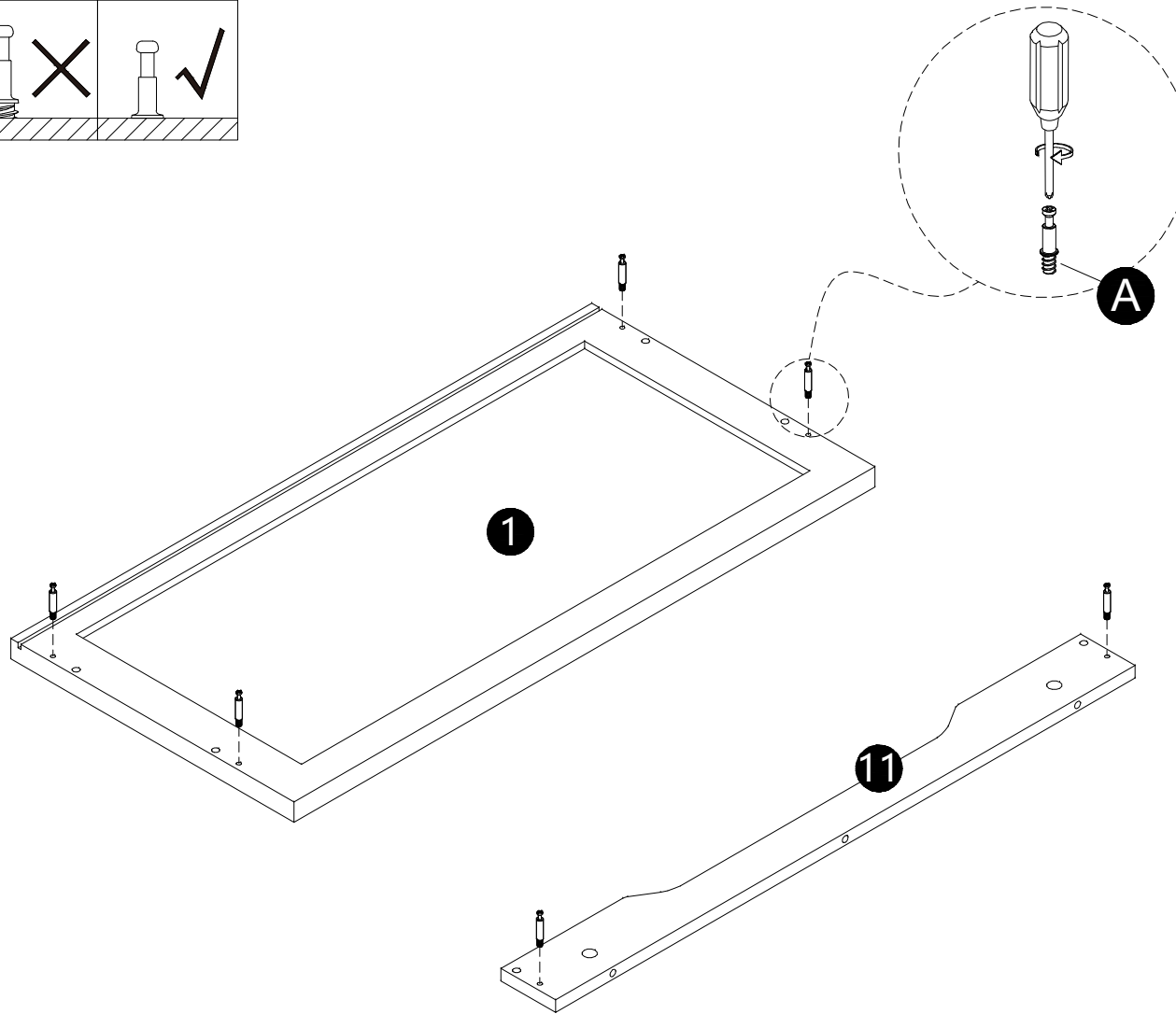
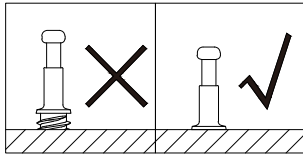
**N** x 20



Tools Required  
(Not included)

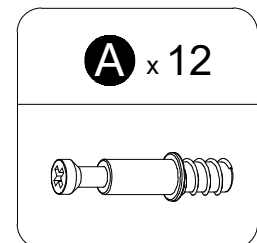
# INSTALLATION STEPS

# 1



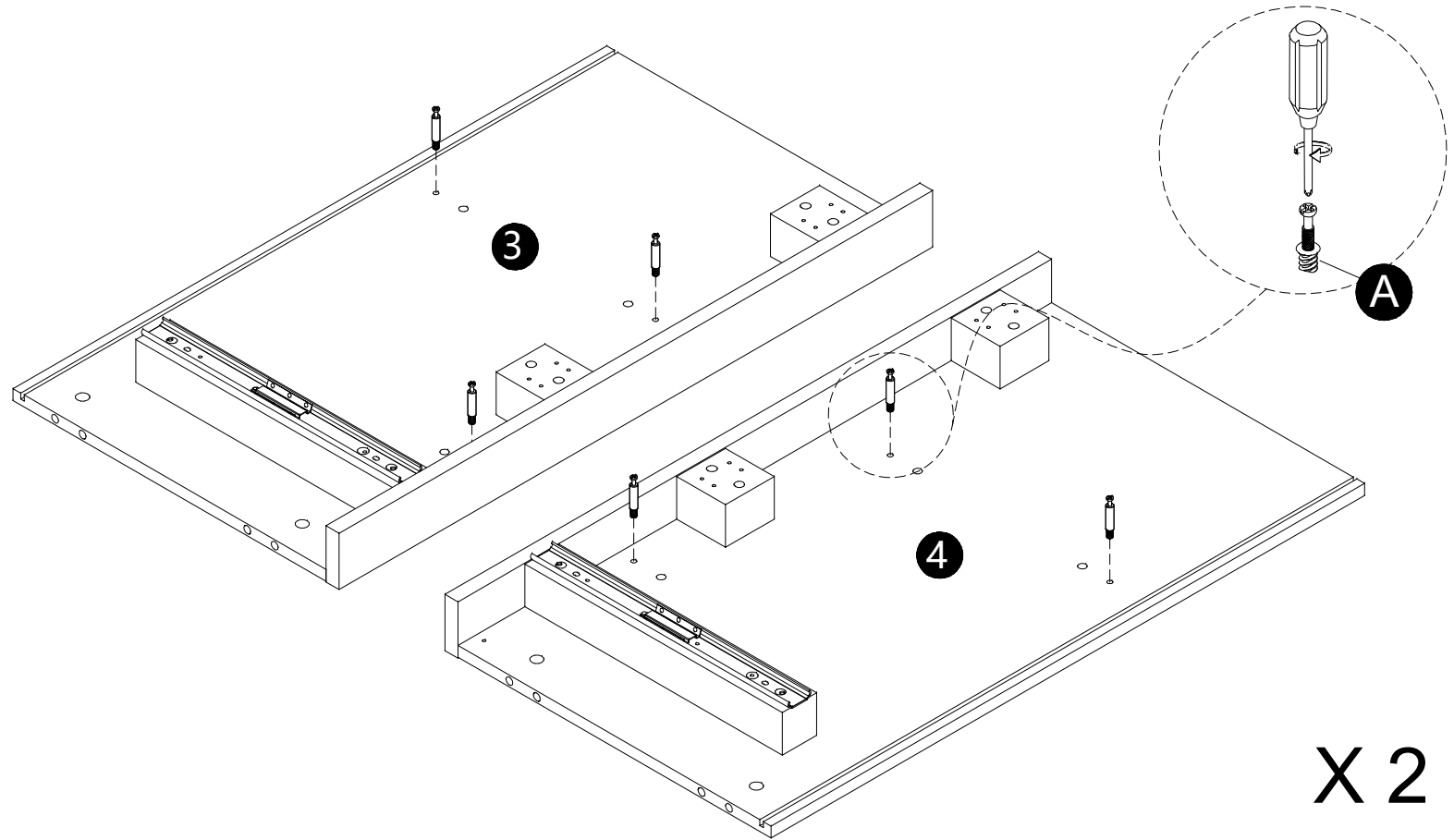
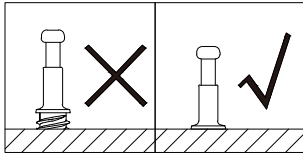
# X 2

·Screw bolts (A) into panels (1,11).

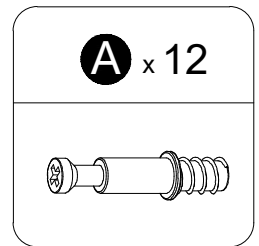


# INSTALLATION STEPS

# 2

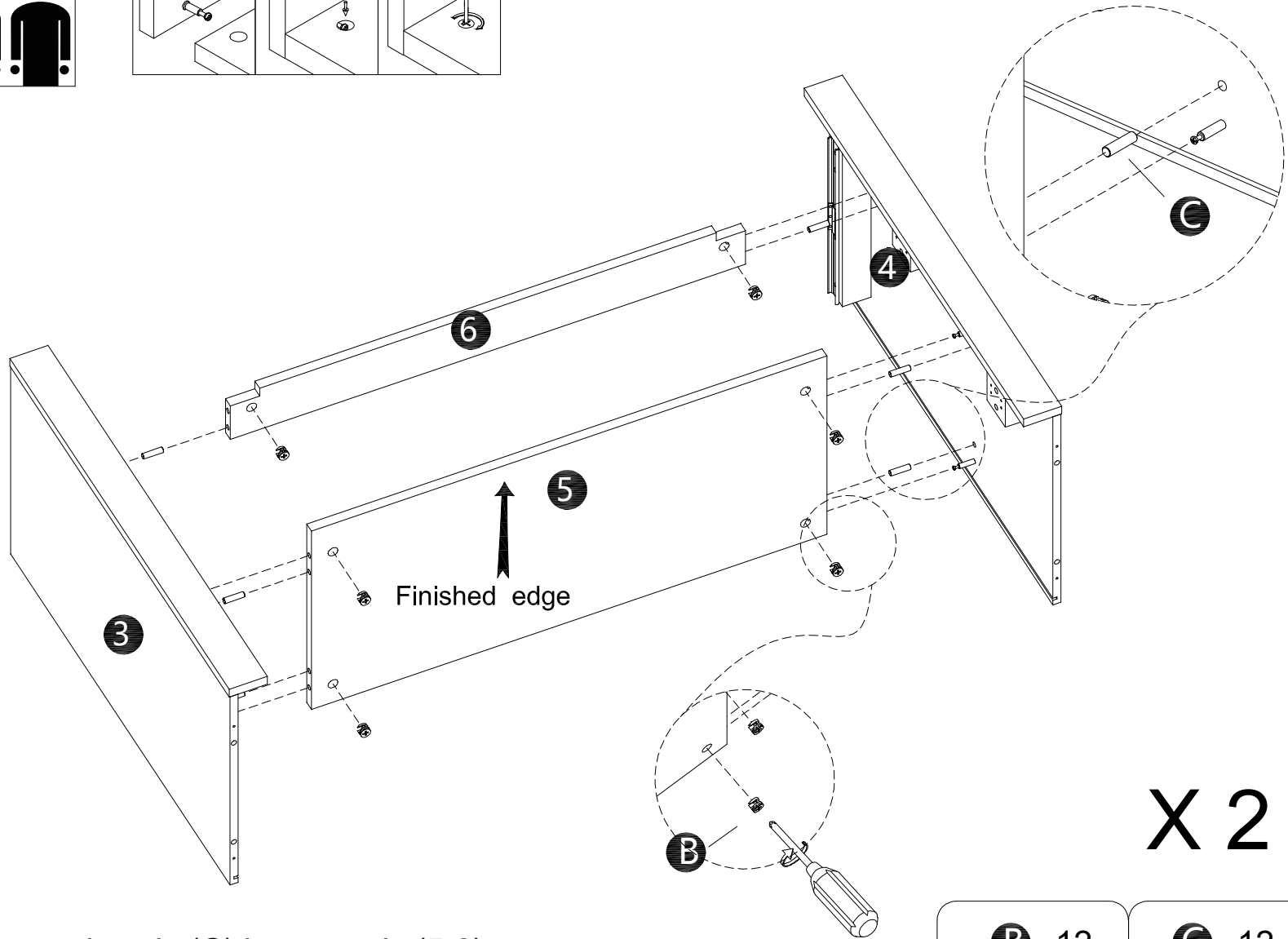
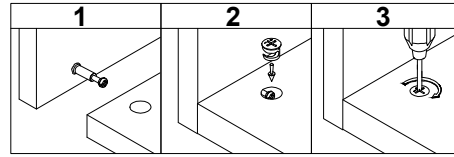
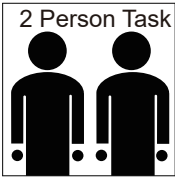


·Screw bolts (A) into panels (3,4).

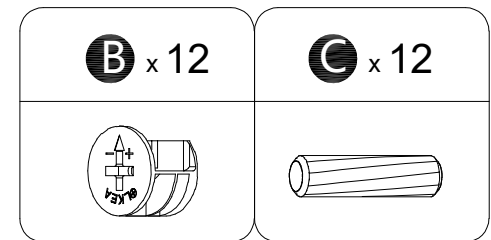


# 3

## INSTALLATION STEPS

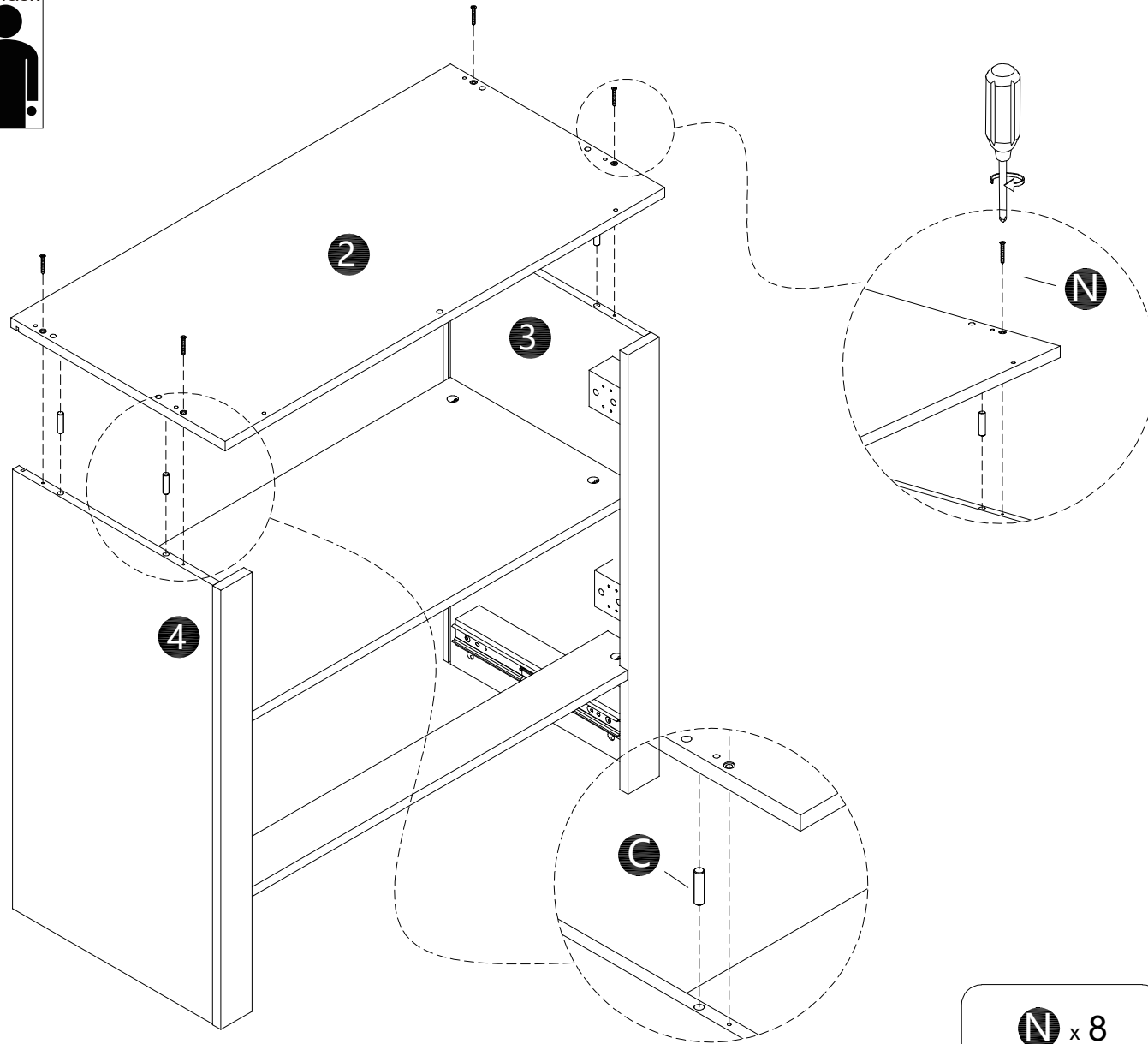
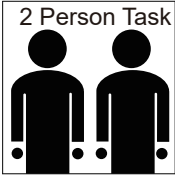


- Insert dowels (C) into panels (5,6).
- Attach panels (5,6) to panels (3,4)
- Insert and secure cam locks (B) to panels (5,6) to lock it.



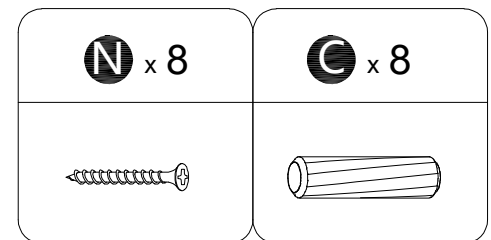
# 4

## INSTALLATION STEPS



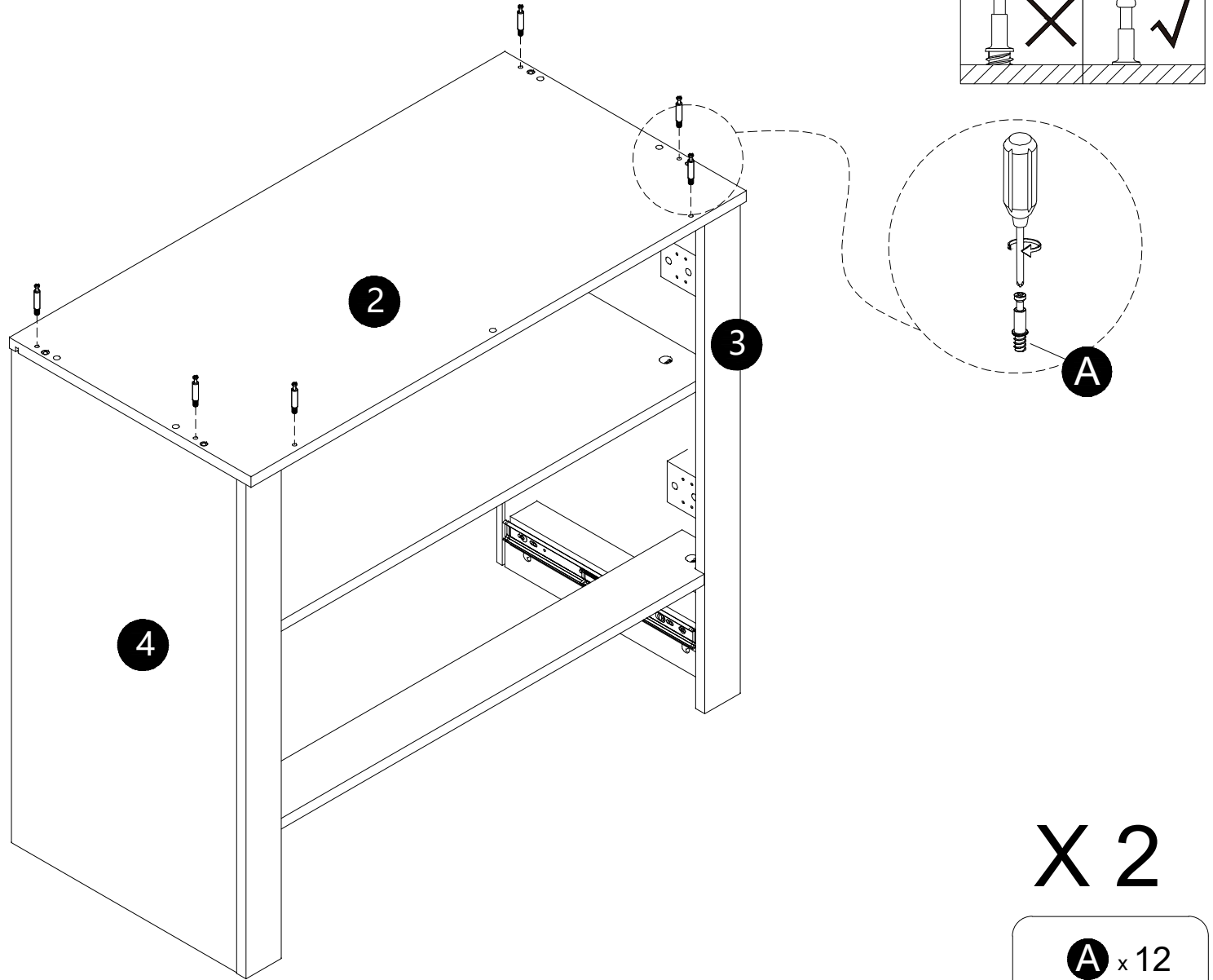
- Insert dowels (C) into panels (3,4).
- Attach panel (2) to panels (3,4)with screws(N).

X 2



# INSTALLATION STEPS

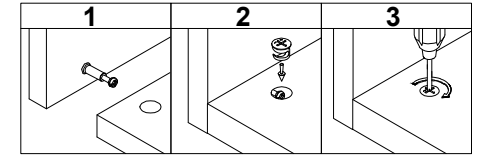
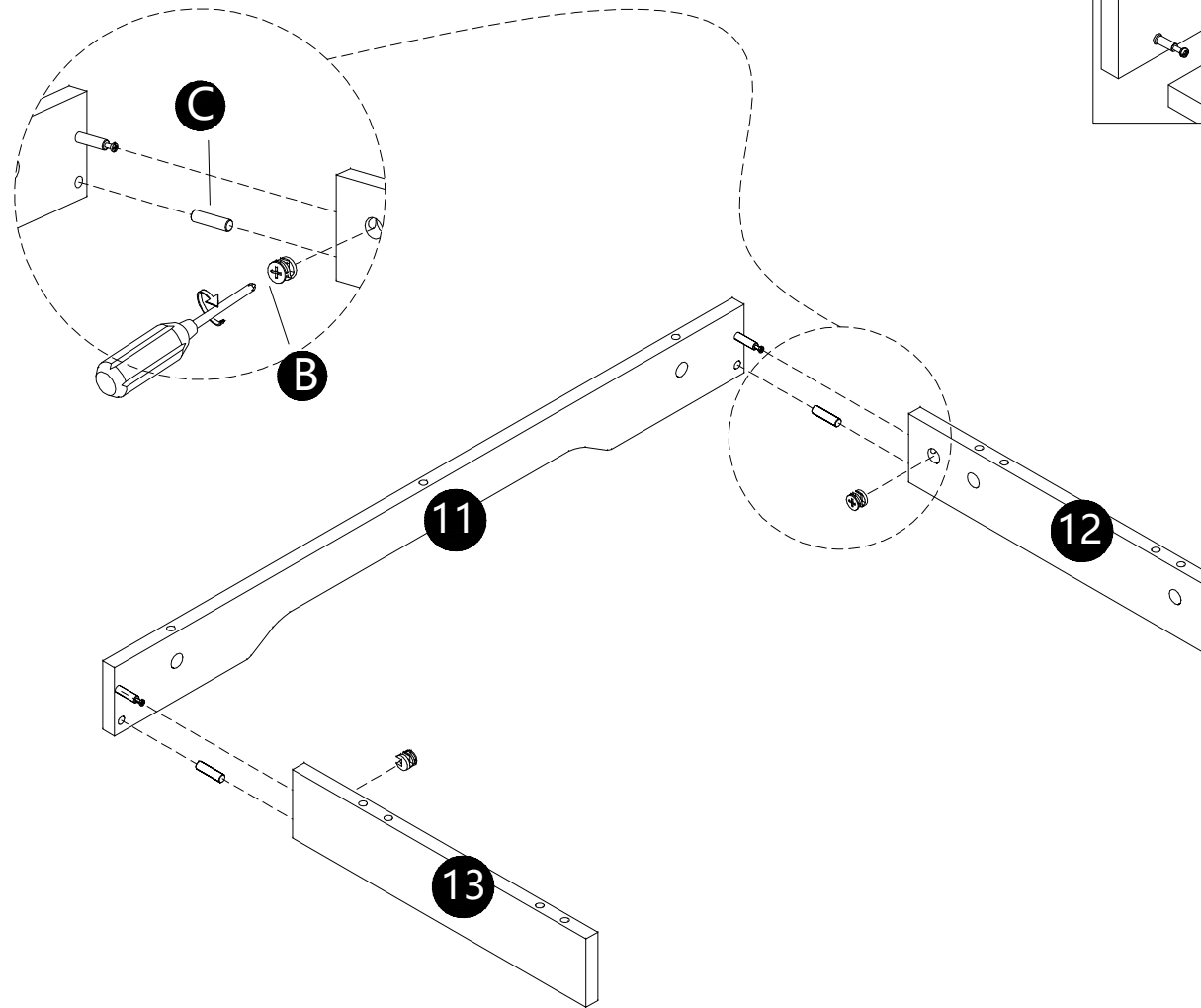
# 5



·Screw bolts (A) into panels (2).

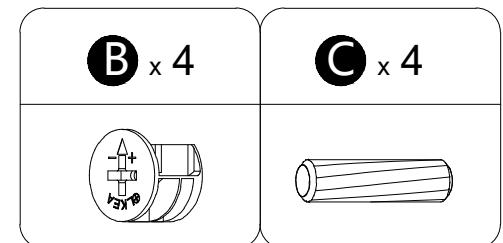
# INSTALLATION STEPS

# 6



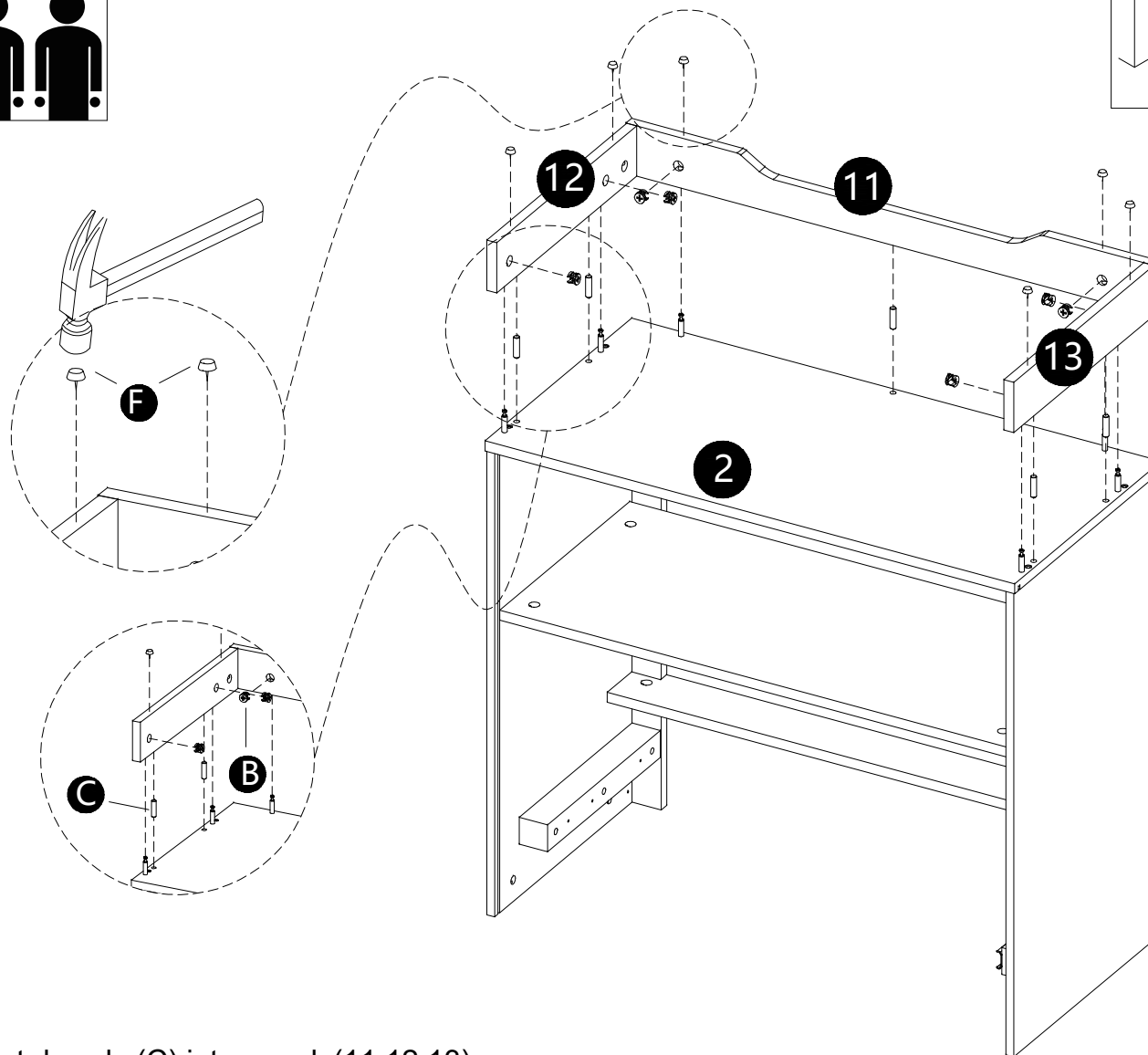
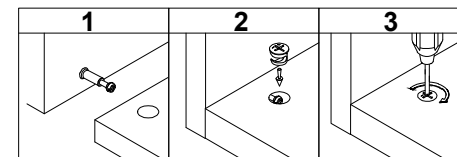
- Insert dowels (C) into panels (12,13).
- Attach panels (12,13) to panels (11)
- Insert and secure cam locks (B) to panel (12,13) to lock it.

# X 2



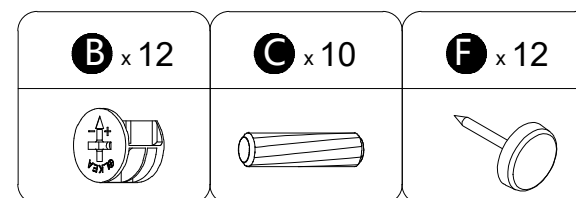
# 7

## INSTALLATION STEPS



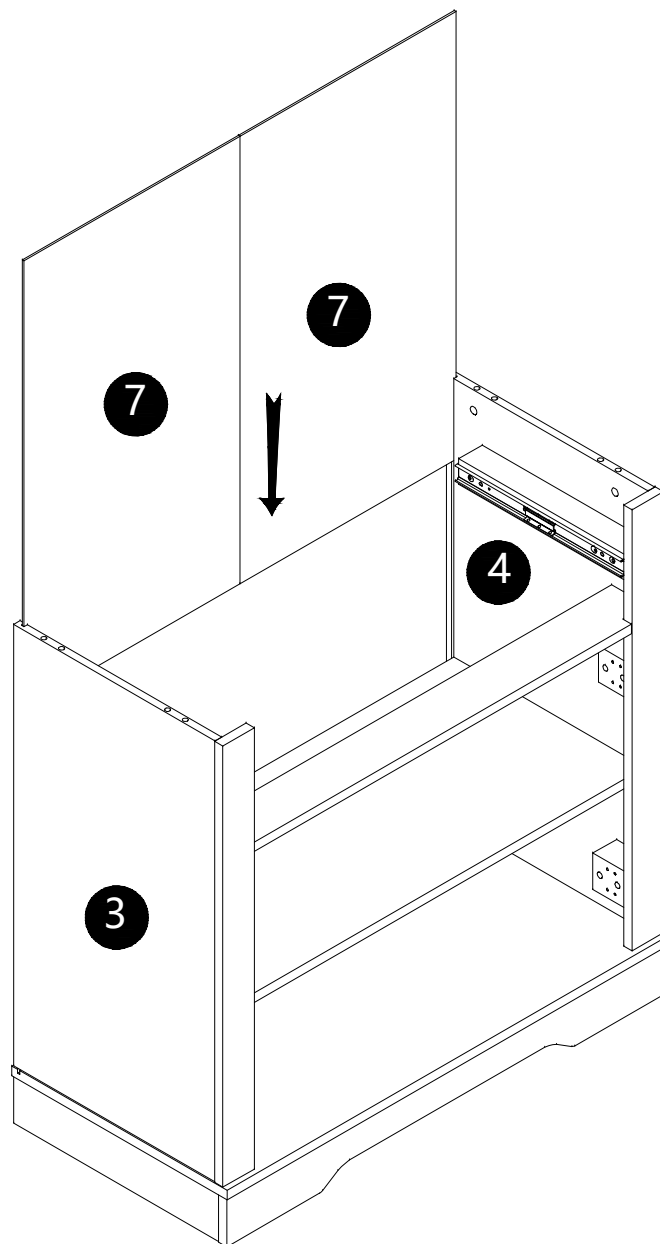
- Insert dowels (C) into panels(11,12,13).
- Attach panels (11,12,13) to panels (2)
- Insert and secure cam locks (B) to panels (11,12,13) to lock it.
- Knock pins (F) into panels (11,12,13).

# X 2



8

INSTALLATION  
STEPS

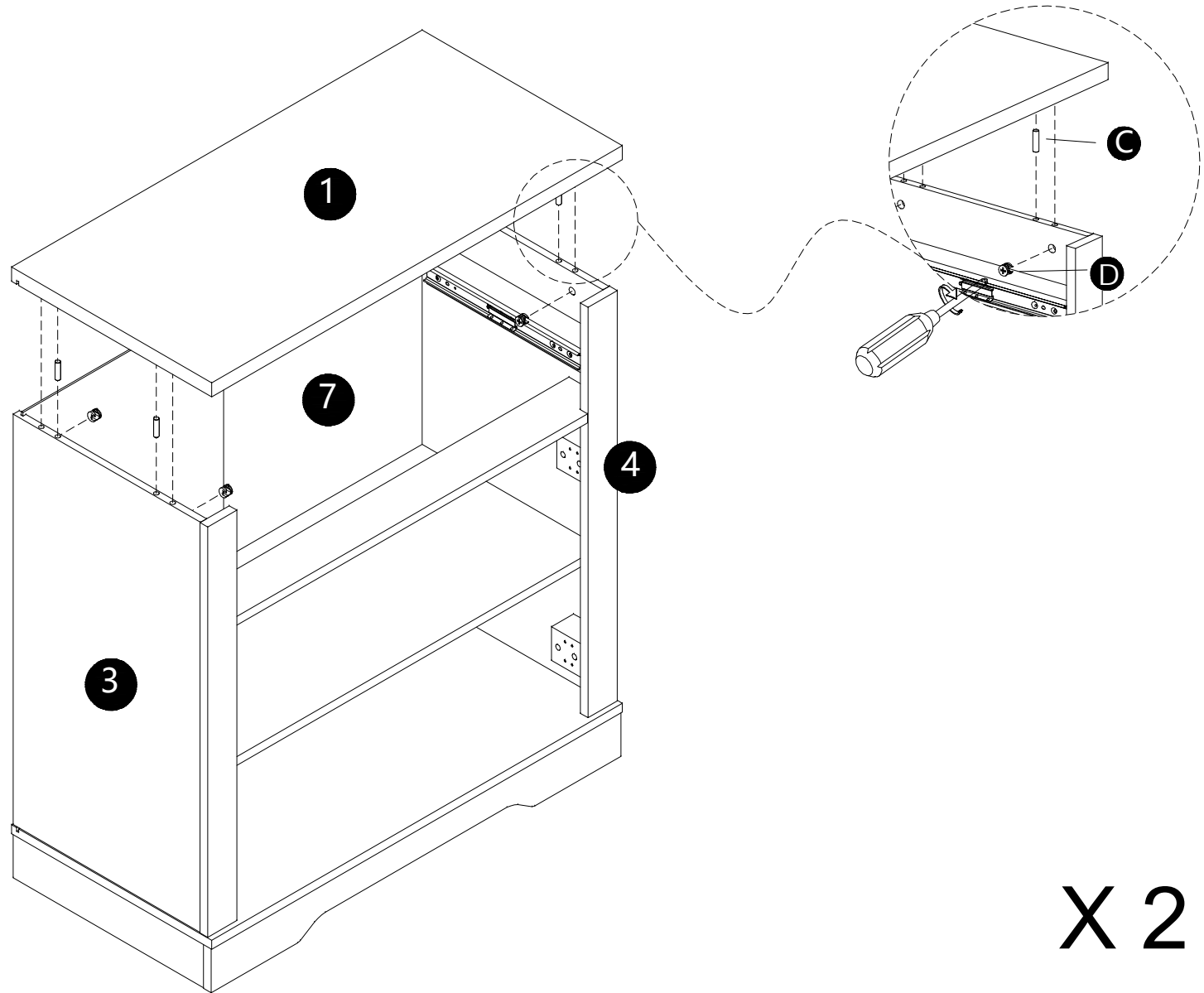
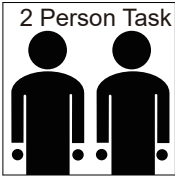


X 2

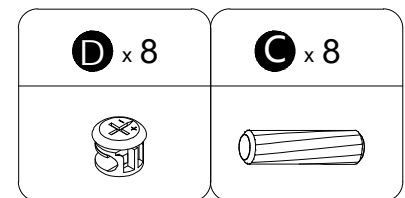
- Carefully slide part (7) into place along the back of the assembly.

# 9

## INSTALLATION STEPS

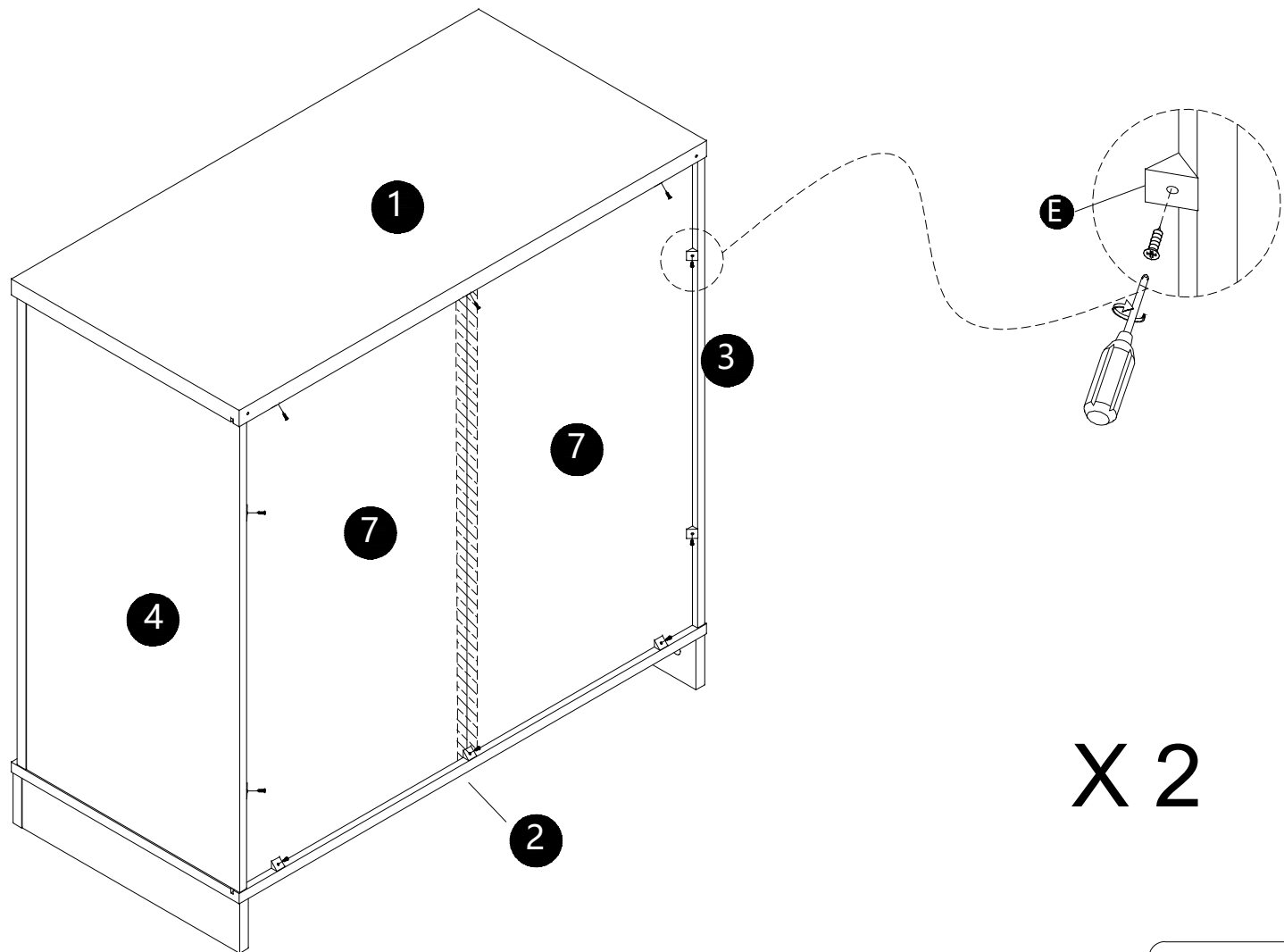


- Insert dowels (C) into panels (3,4).
- Attach panels (1) to panels (3,4)
- Insert and secure cam locks (D) to panels (3,4) to lock it.

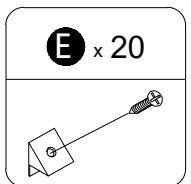


# 10

## INSTALLATION STEPS

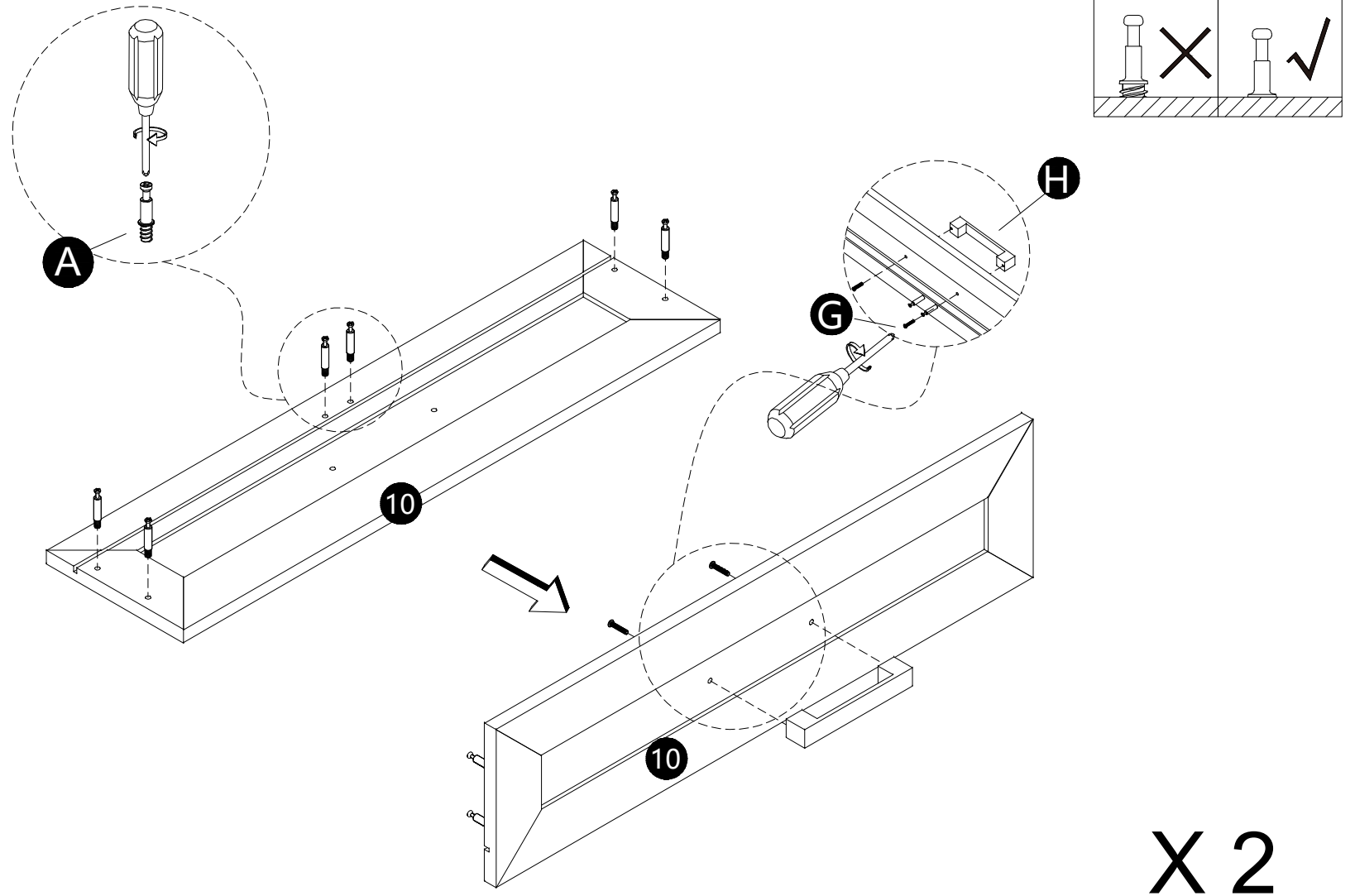


.Secure parts (E) to panels (1,2,3,4).

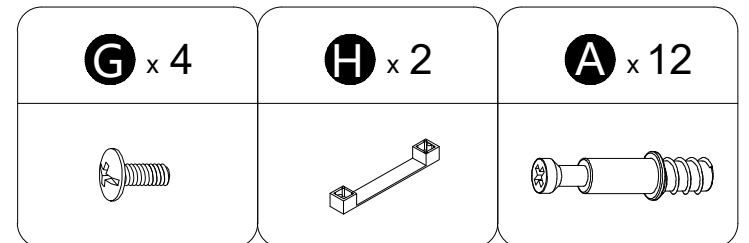


# 11

## INSTALLATION STEPS

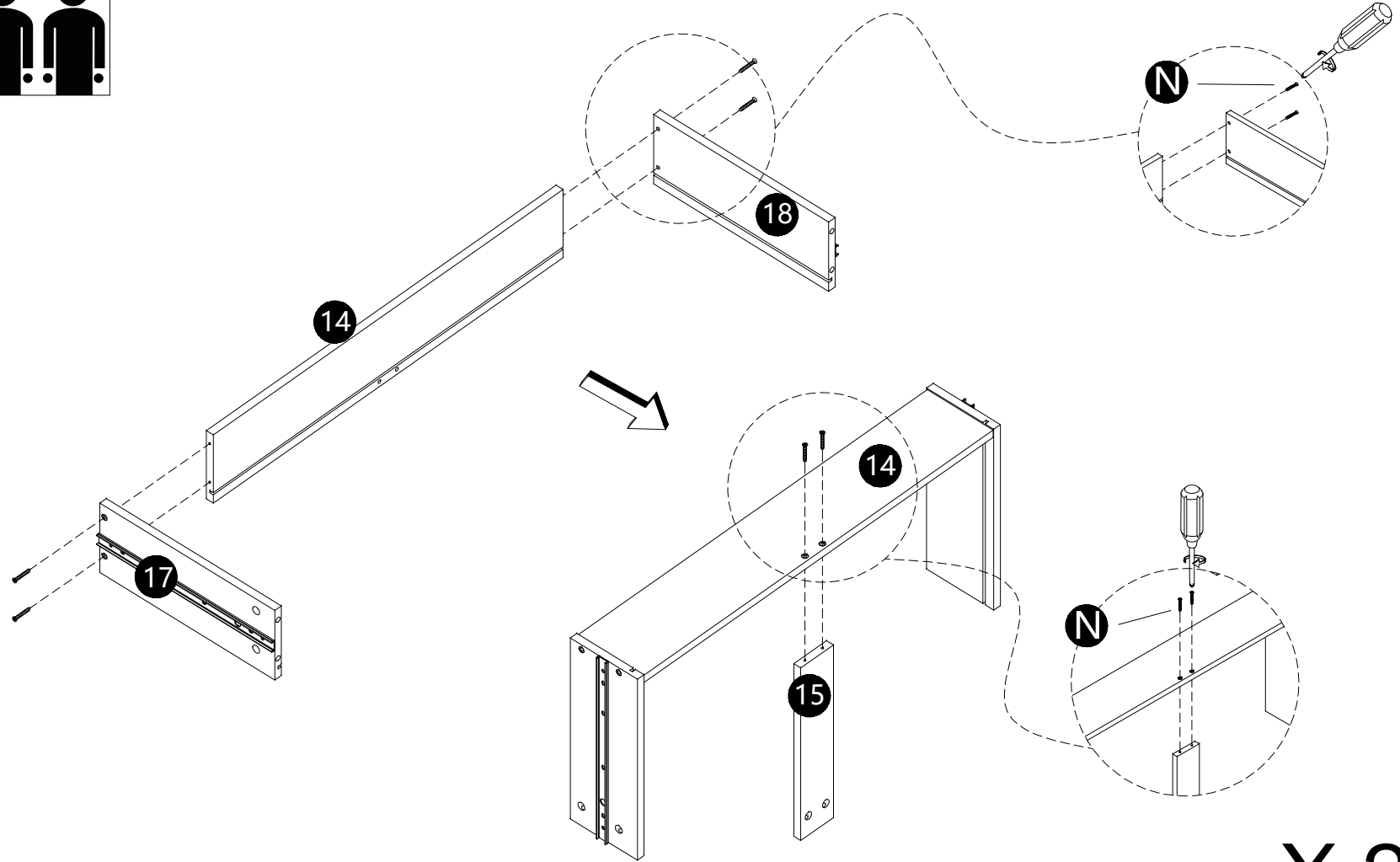
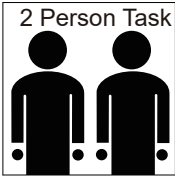


- Screw bolts (A) into panels (10).
- Attach Handles (H) to panels (10) with bolts (G).



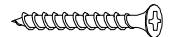
# 12

## INSTALLATION STEPS



X 2

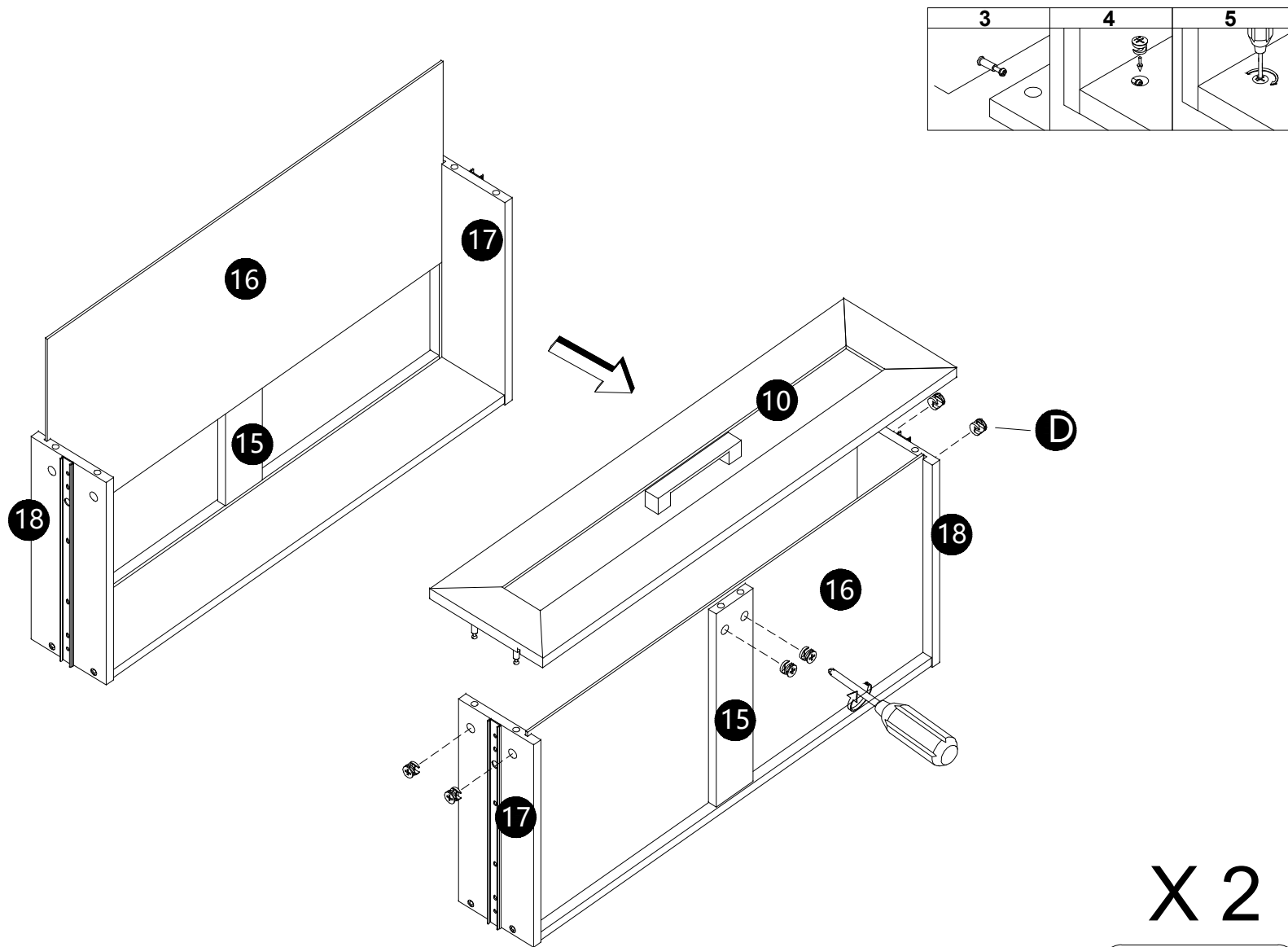
N x 12



- Attach panels (17,18) to panel (14) with screws (N).
- Attach panels (15) to panel (14) with screws (N).

# 13

## INSTALLATION STEPS



- Carefully slide part (16) into place along the back of the assembly.
- Attach panel (10) to panels (15,17,18)
- Insert and secure cam locks (D) to panels (15,17,18) to lock it.

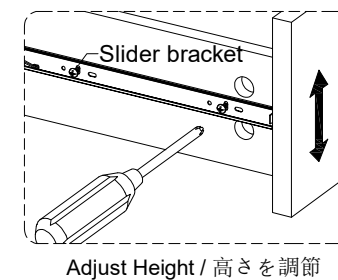
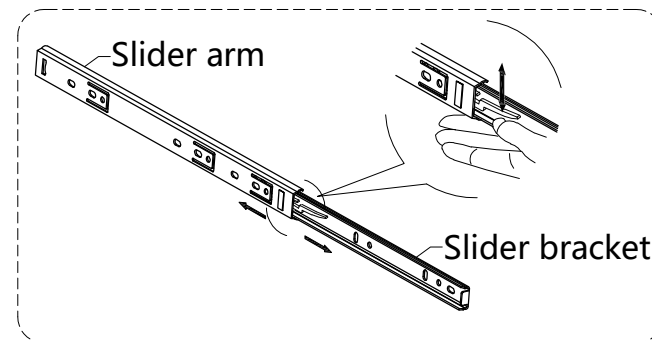
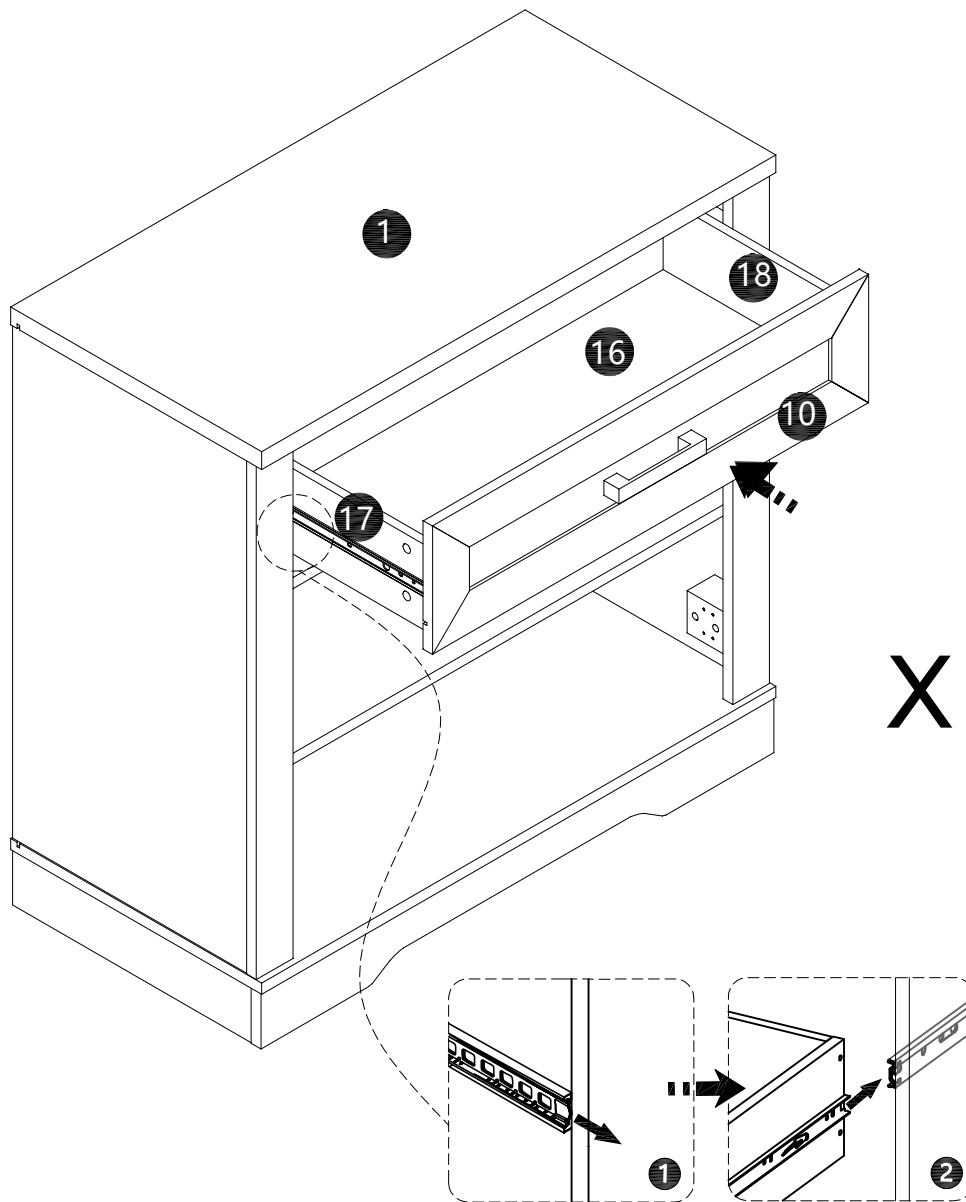
X 2

D x 12



# 14

## INSTALLATION STEPS



X 2

.Assembled the drawers as per diagram

Note :

If the drawer does not go in smoothly.

Press or lift the plastic release lever.

Pull out the slider bracket from

the slider arm.

Loosen the screws on slider brackets,

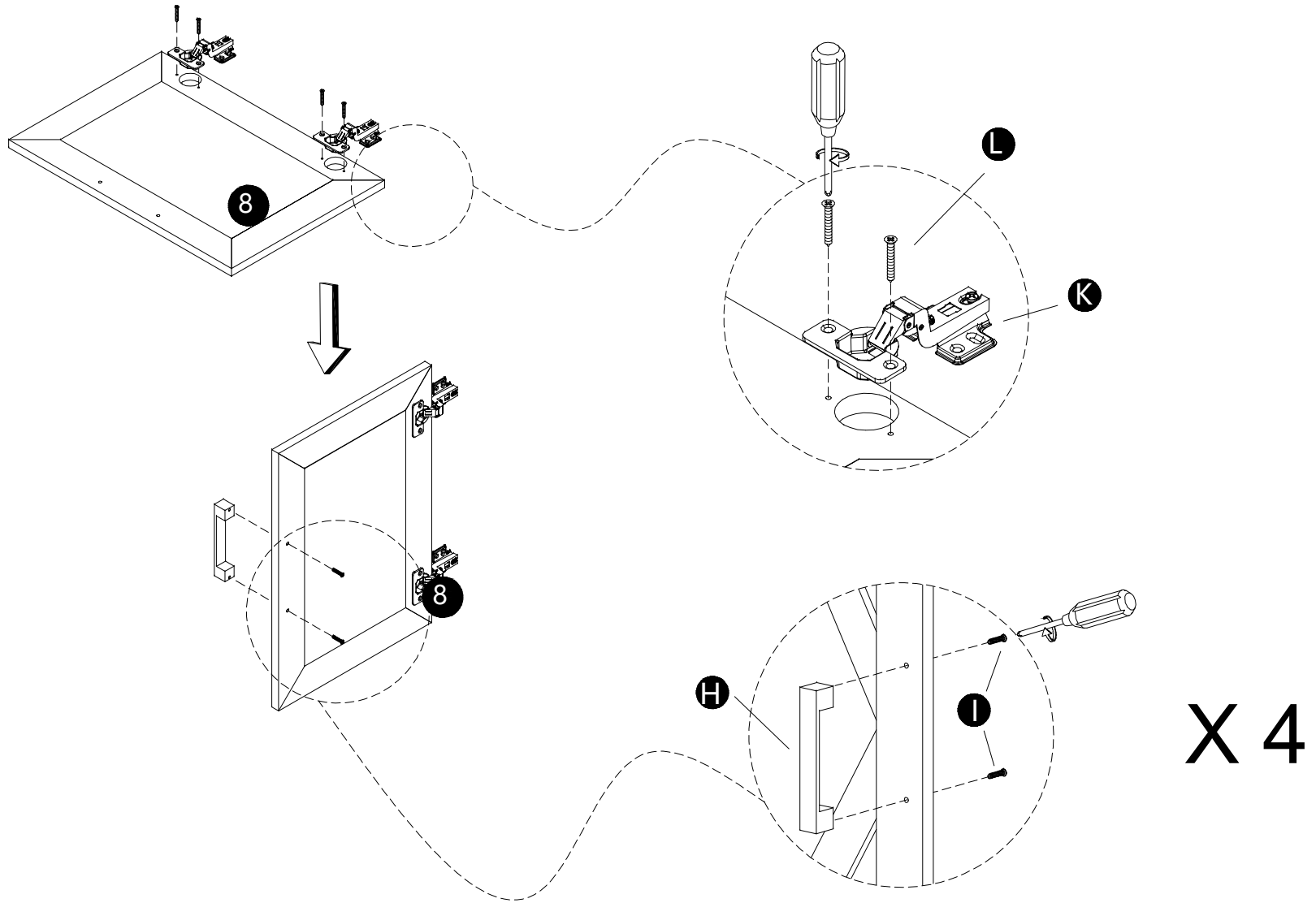
You can adjust up or down by a few mm.

Then tighten back up.

Finally re-assembled the drawer until they were going in smoothly well.

# 15

## INSTALLATION STEPS

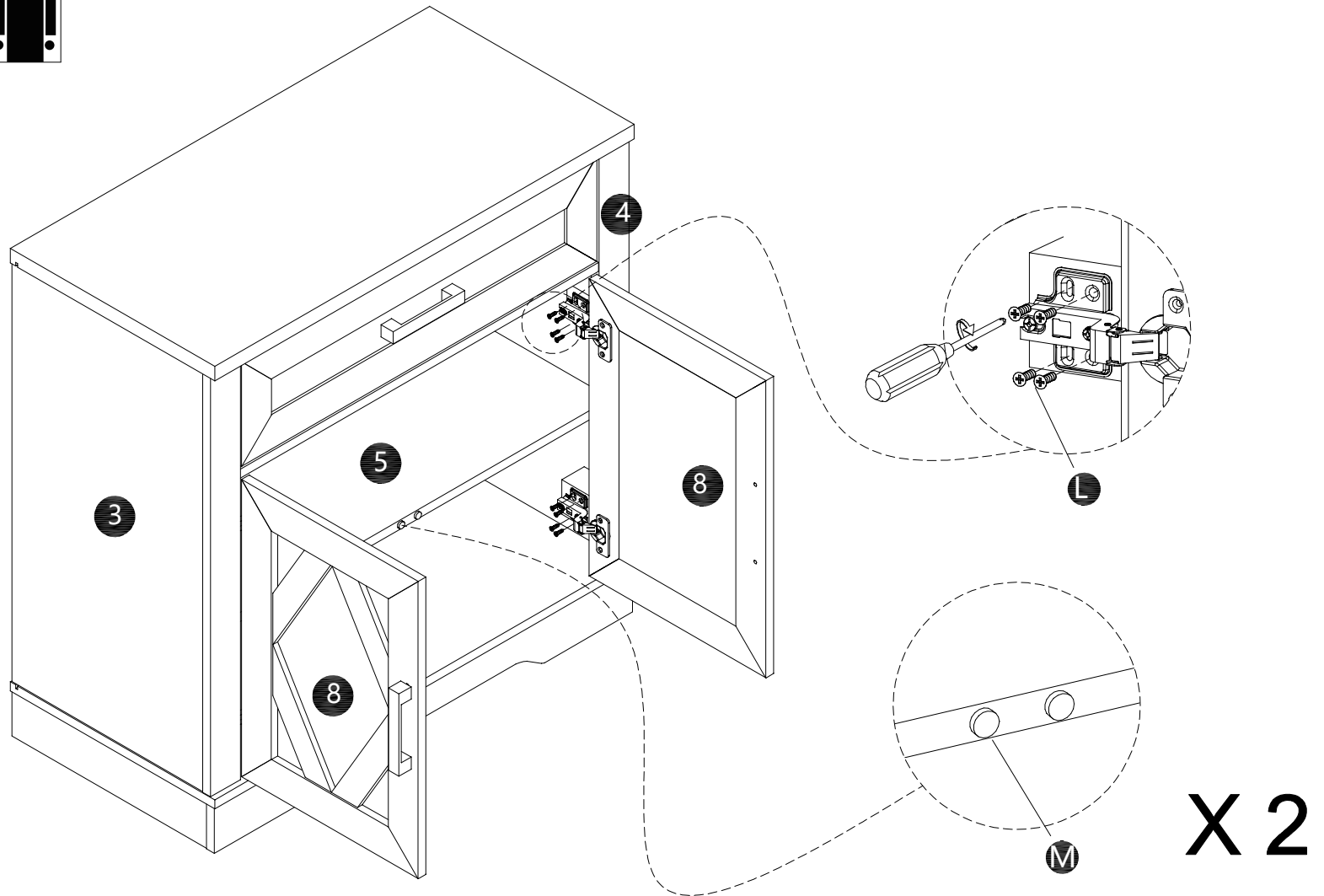
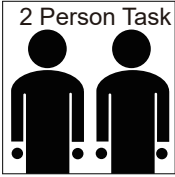


- Attach parts (K) to panels (8) with screws (L).
- Attach Handles (H) to panels (8) with bolts (I)

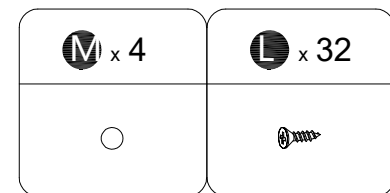
|              |              |               |              |
|--------------|--------------|---------------|--------------|
| <b>H</b> x 4 | <b>I</b> x 8 | <b>L</b> x 16 | <b>K</b> x 8 |
|              |              |               |              |

# 16

## INSTALLATION STEPS



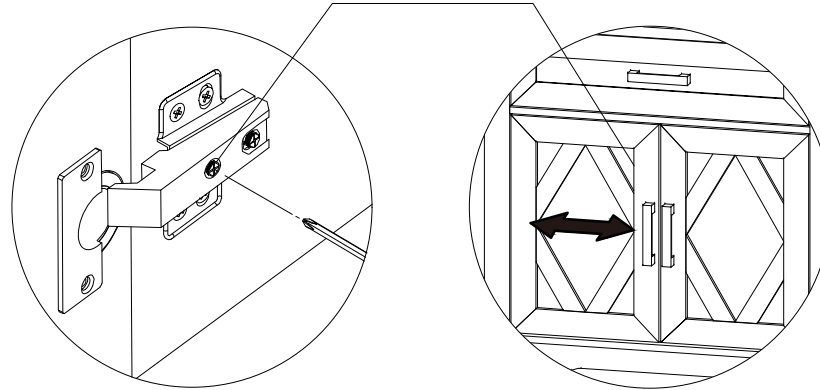
- Attach panels (8) to panels (3,4) with screws (L).
- Attach part (M) to component (5).



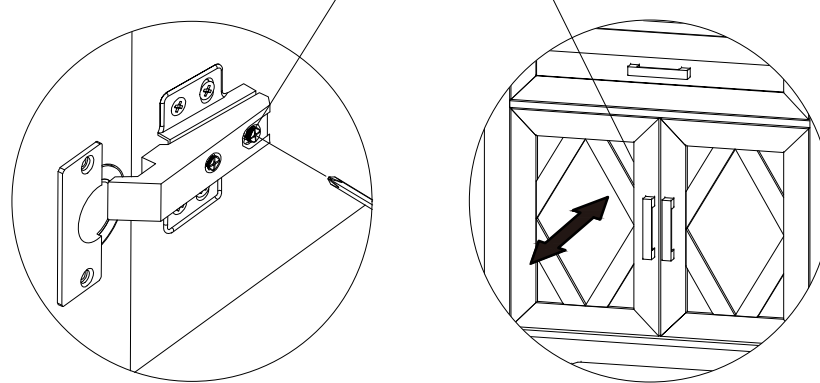
# 17

## INSTALLATION STEPS

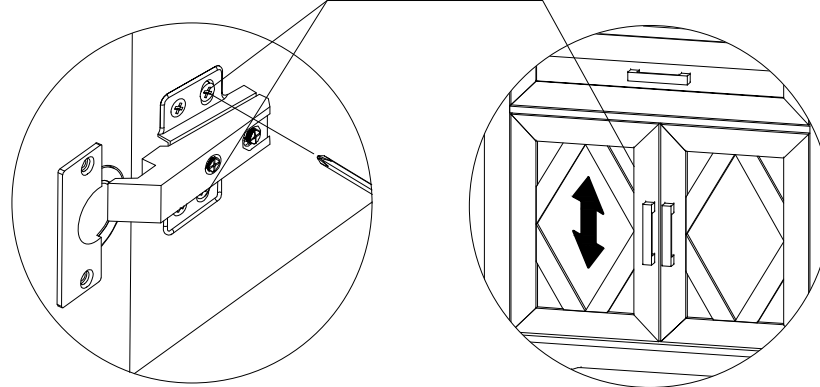
Adjust Left and right 左右を調節



Adjust front and back / 前後を調節

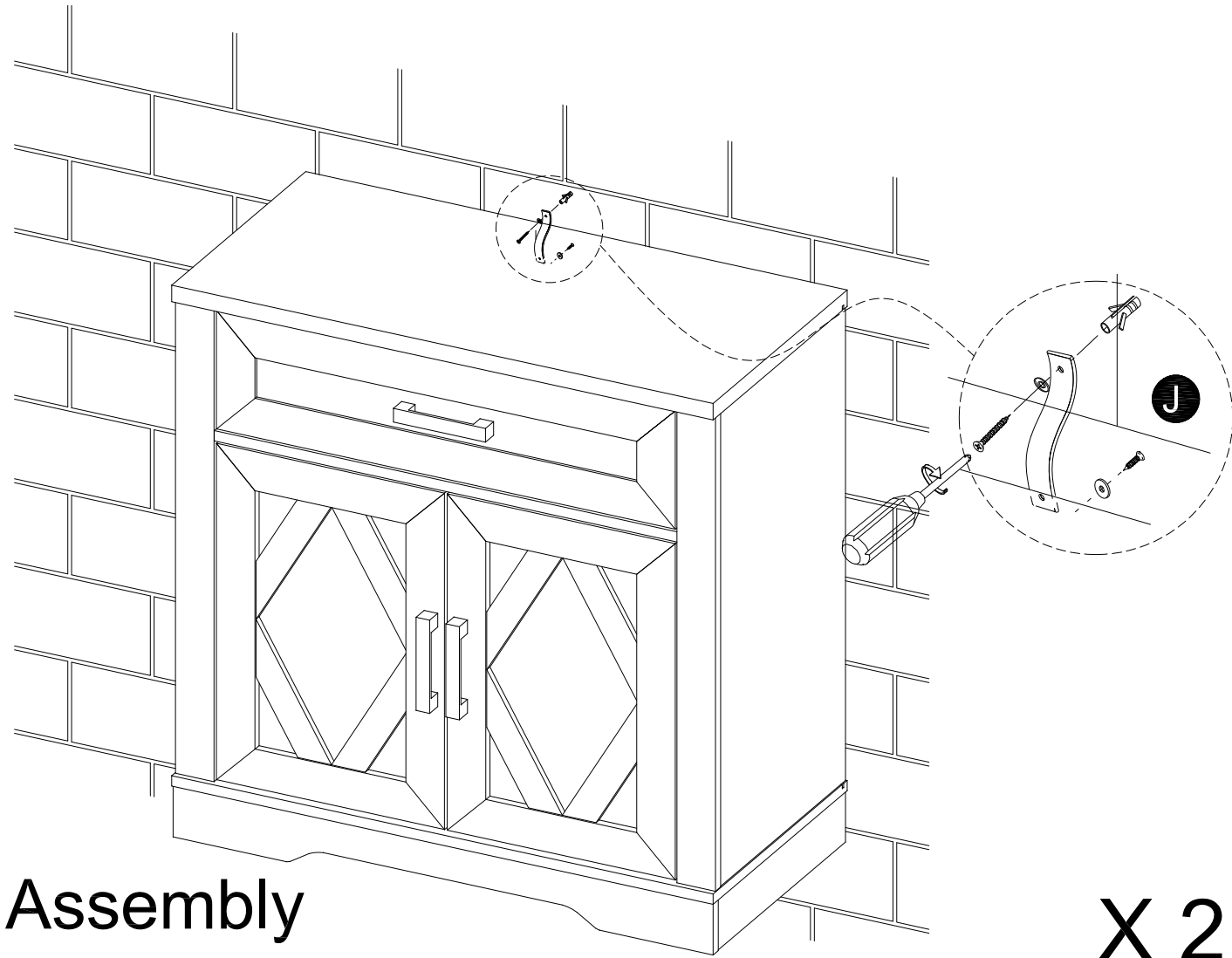


Adjust Height / 高さを調節



# 18

## INSTALLATION STEPS



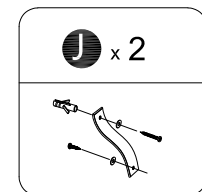
### Final Assembly

**WARNING** Serious or fatal injuries can occur from furniture tipping over. To prevent the furniture from tipping over we recommend that it is permanently fixed to the wall.

Wall anchor and hardware are included with this product.

Please make sure hardware is suitable for your walls before installing, as different wall materials may require different types of anchors.

X 2



## Dear customer:

Thanks for your purchase in our store.

Any questions, please contact us

1.Purchase platform & order number

2.Model number & Instruction version#

3.The detailed photo (faulty part, damage part, if some parts are missing,  
please circle it/them on the manual instruction) and send us.



We'll reply as soon as we receive your message(usually within 24 hours).