

Dining Chair



A
4 x



B
2 x



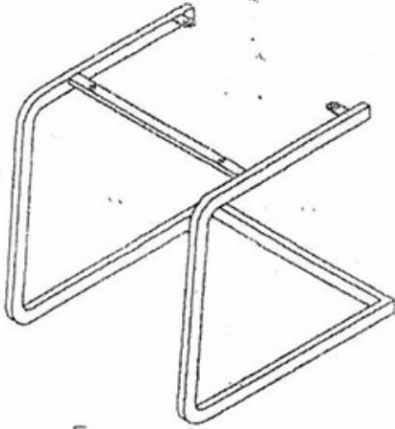
C
2 x



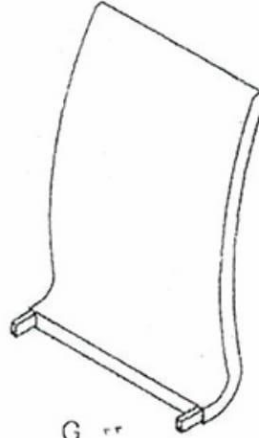
D
4 x



E
1 x

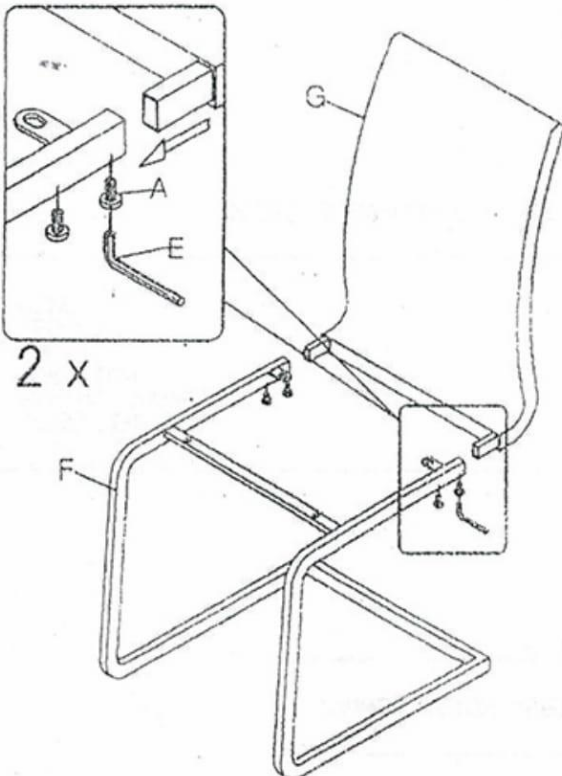


F
1 x



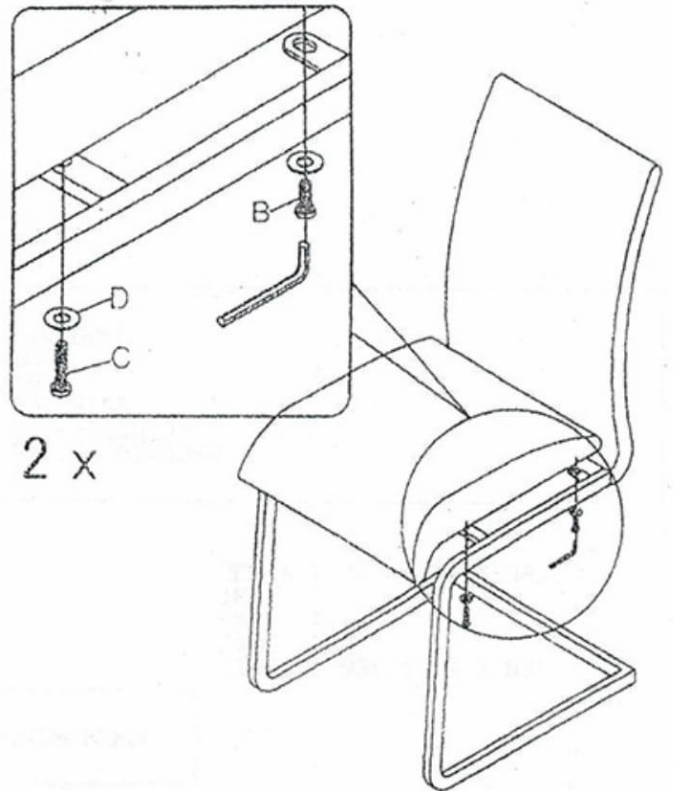
G
1 x

1



2 x

2



2 x