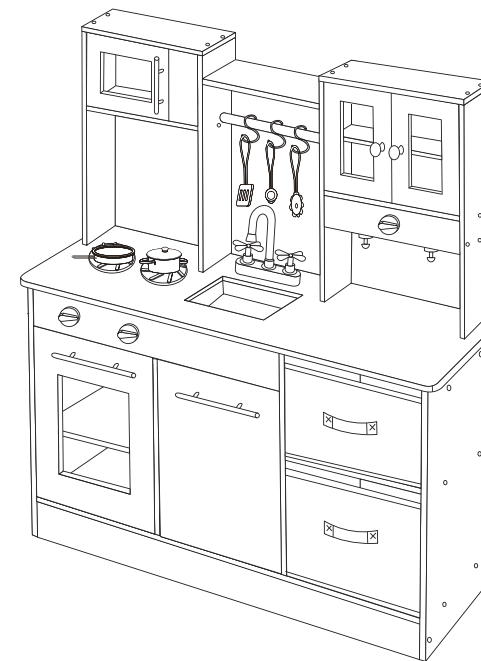


Wooden Kitchen Playset



⚠ WARNING:
Assembly by an adult.

WARNING:

1. CHOKING HAZARD—Small parts. Not for children under 3 years.
2. Only allowed for adults to install, keep children away.
3. To be used under the direct supervision of an adult.
4. Place it on a flat and clean floor, Check all the parts are well connected before use.
5. Do not mix old and new batteries.
6. Do not mix alkaline, Standard (carbon-zinc), or rechargeable batteries.

MAINTENANCE & CARE

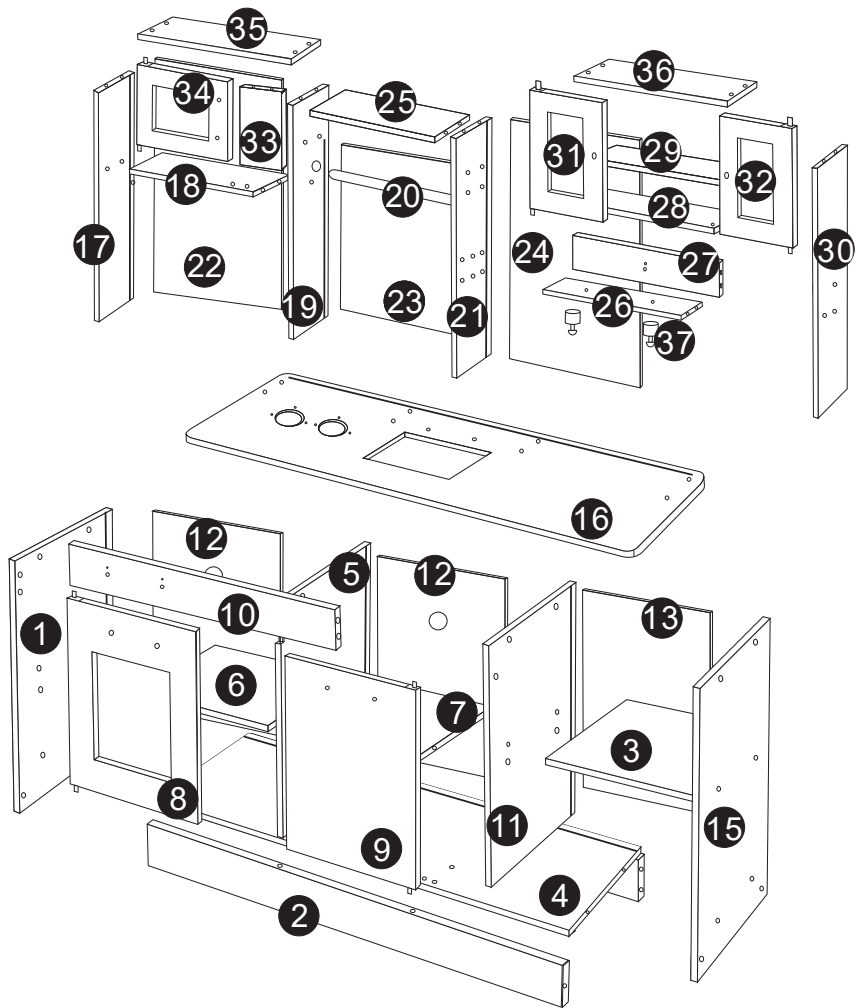
- A. Keep all instructions and parts relating to this product for future reference.
- B. Please wipe down with a dry or damp cloth.

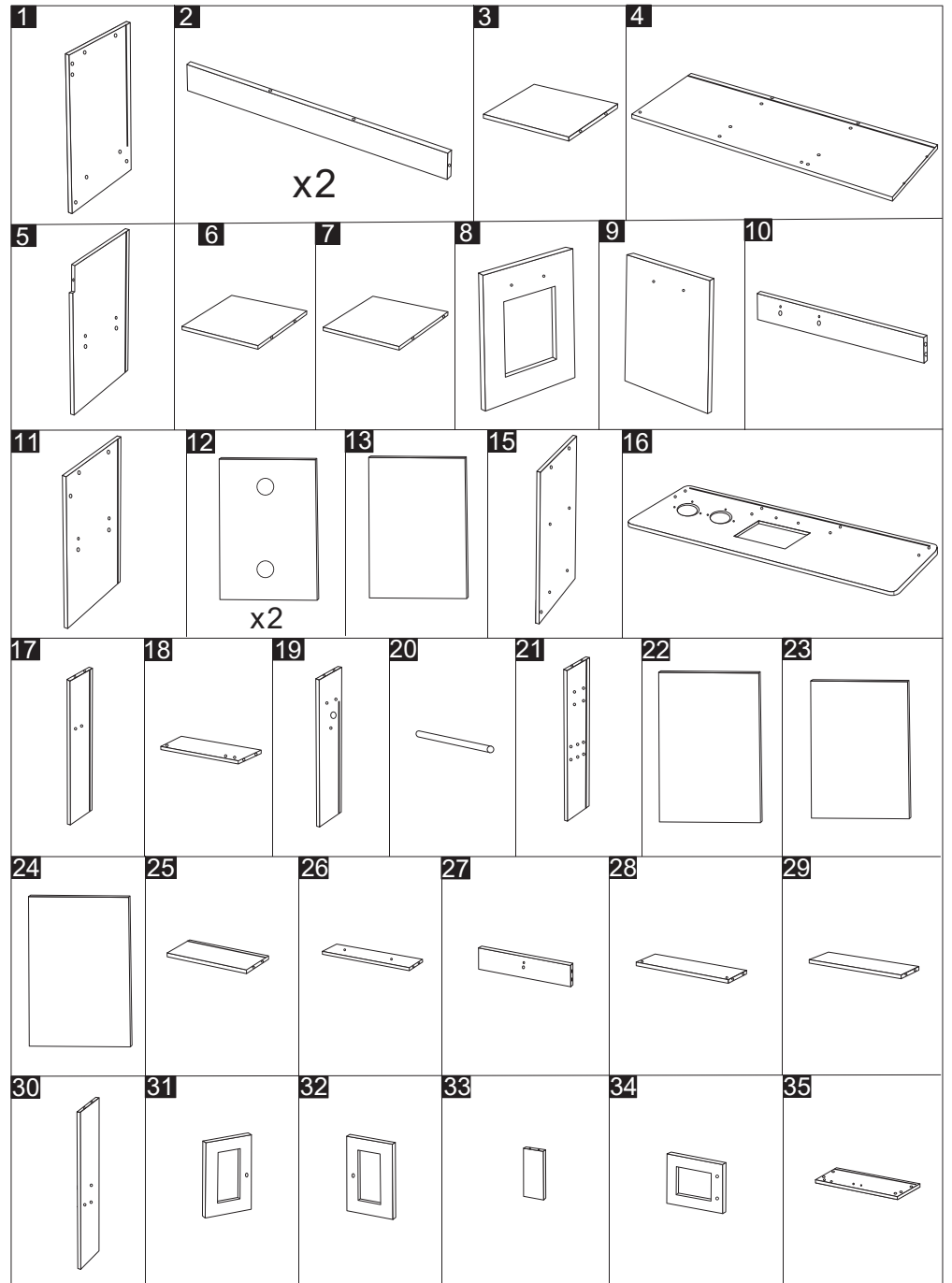
Manufacturer: Ningde Painted Toys Co., Ltd.


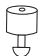

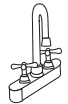
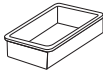



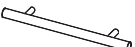


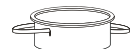




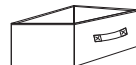














Address: Xixi Jiwu Industrial Concentration Zone, Shouning County,
Ningde City, Fujian Province, China

Made in China



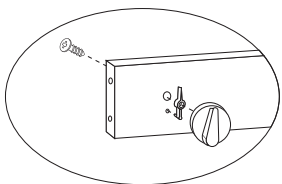







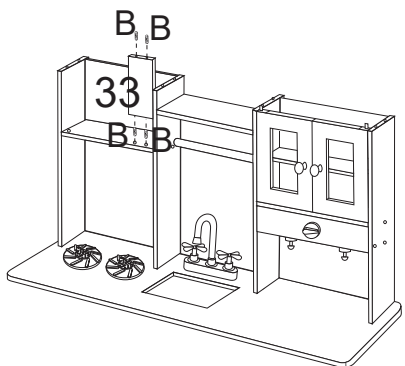
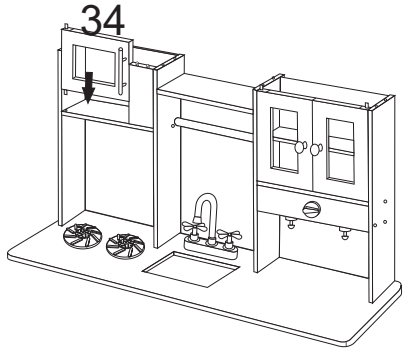



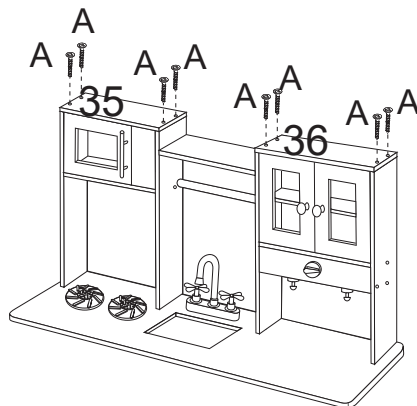
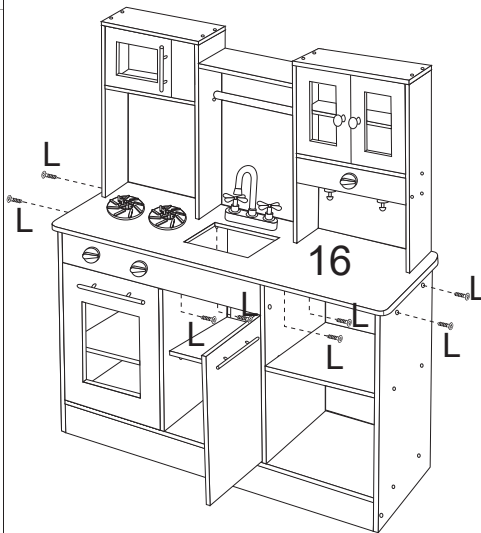
36  x1	37  x2	a  x2	b  x1	c  x1			
d  x3	e  x2	f  x2	g  x2	h  x3	i  x1		
j  x1	k  x1	l  x1	m  x1	n  x1	o  x2		
A  ∅ 4x35 Ax54	B  Bx18	C  ∅ 4x16 Cx14	D  ∅ 3x16 Dx2	E  ∅ 3x8 Ex40	F  ∅ 4x8 Fx3		
G  Gx5	H  Hx5	I  Ix5	J  Jx5	K  Kx8	L  ∅ 4x20 Lx14	M  ∅ 4x10 Mx8	extra nut  x4

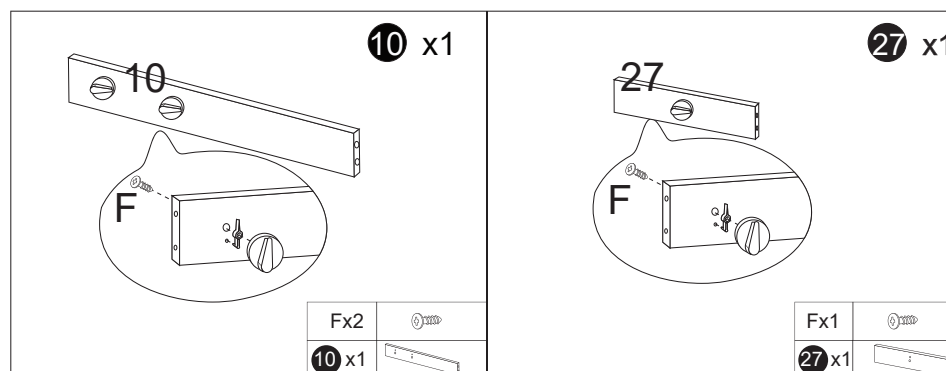
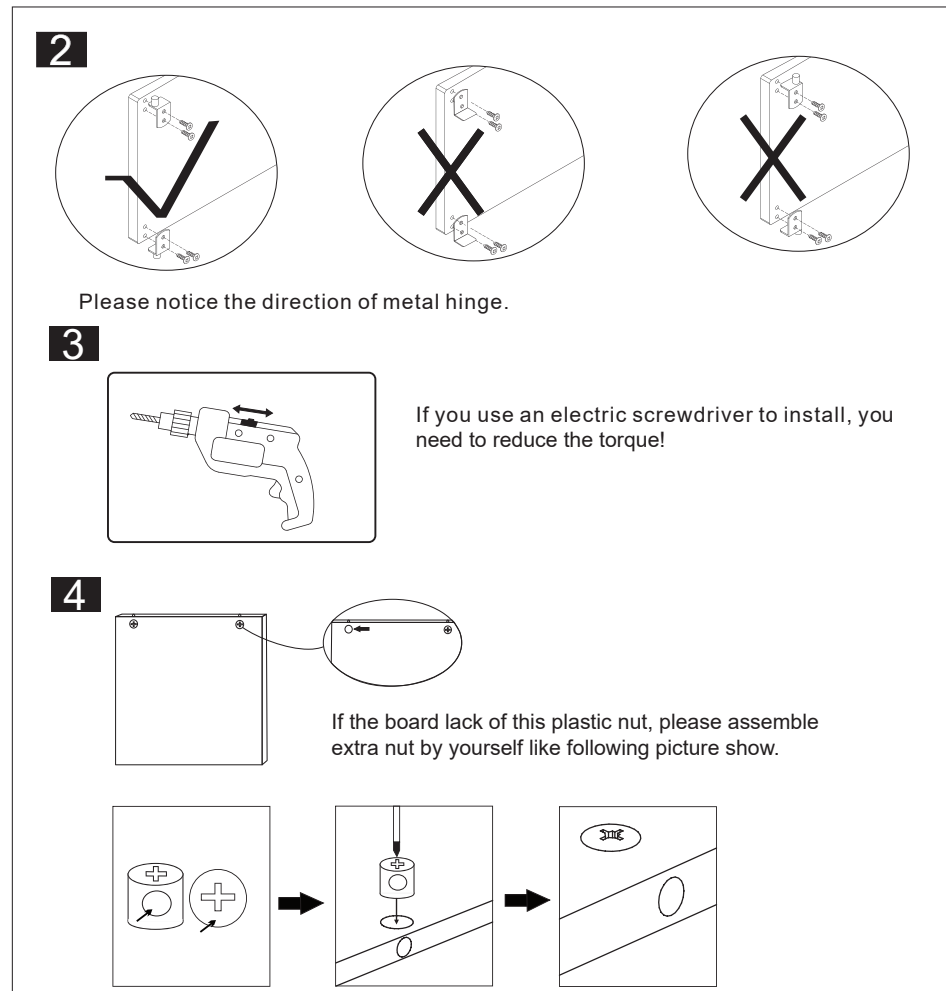
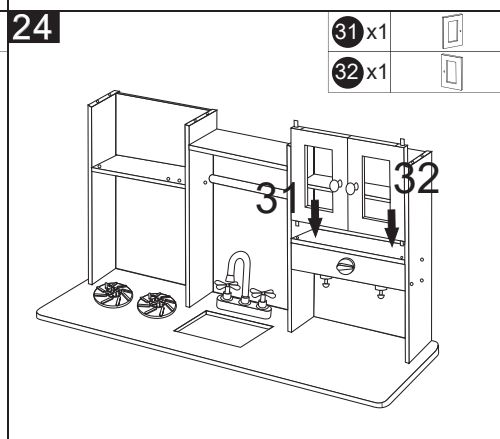
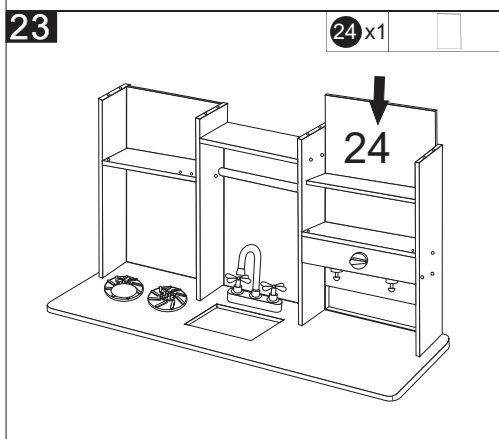
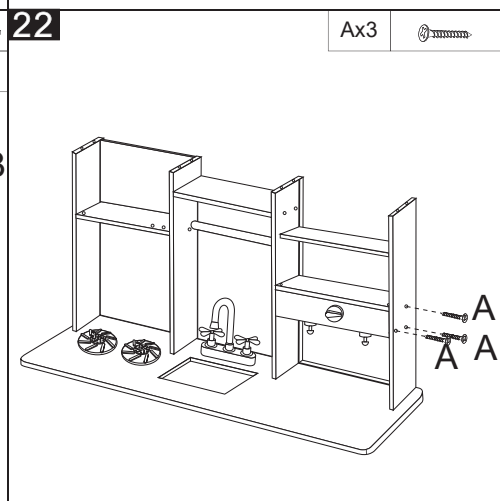
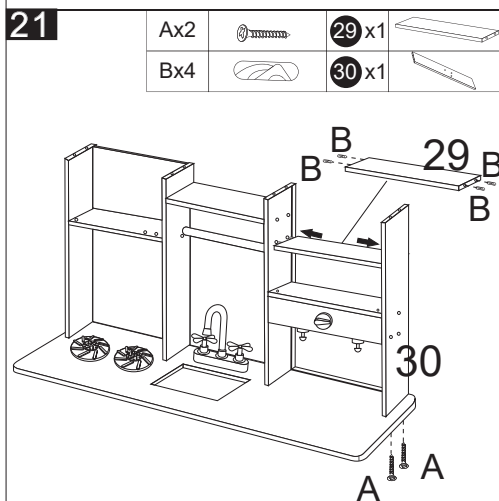
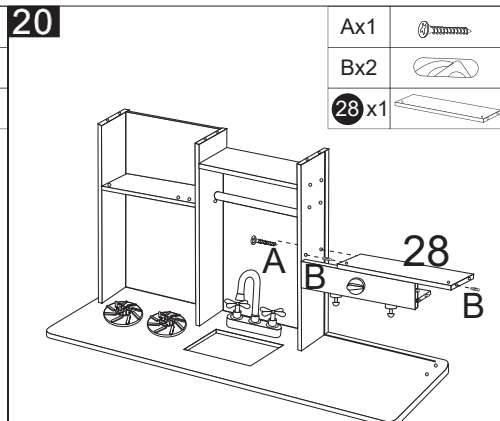
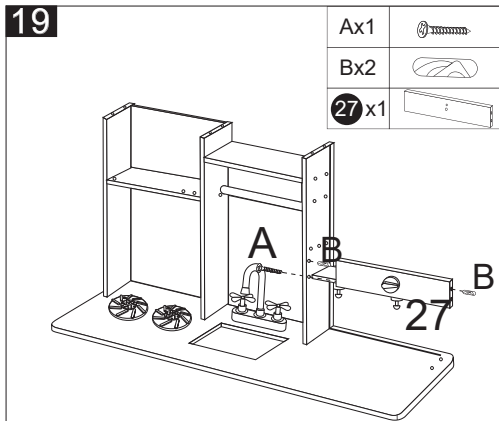
Warm Tip

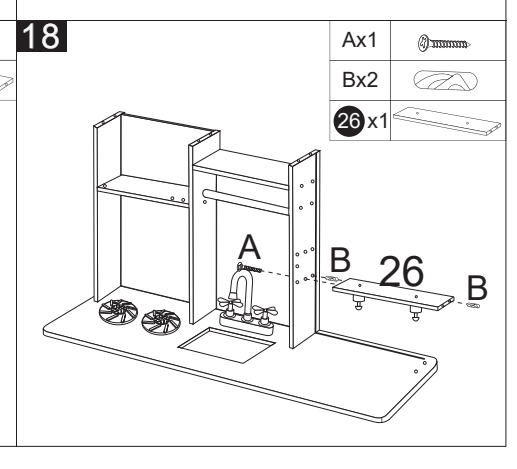
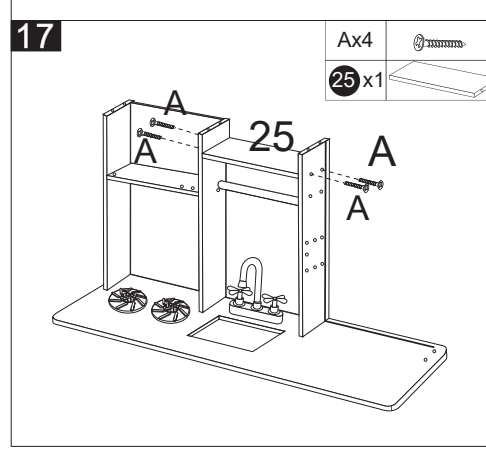
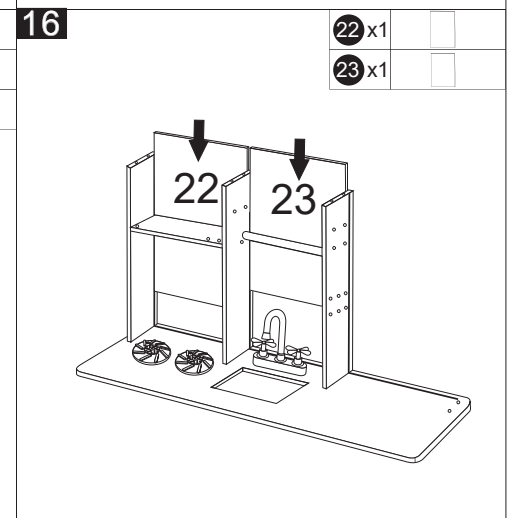
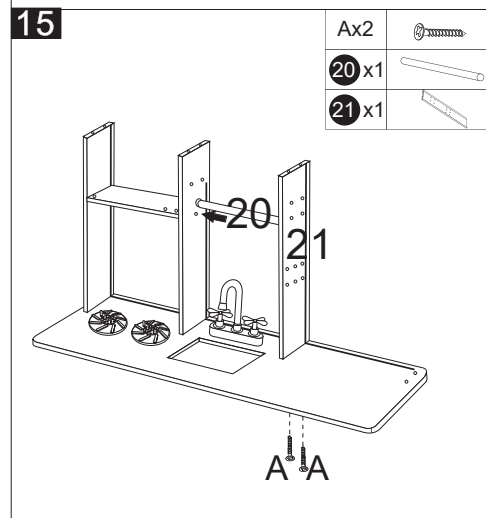
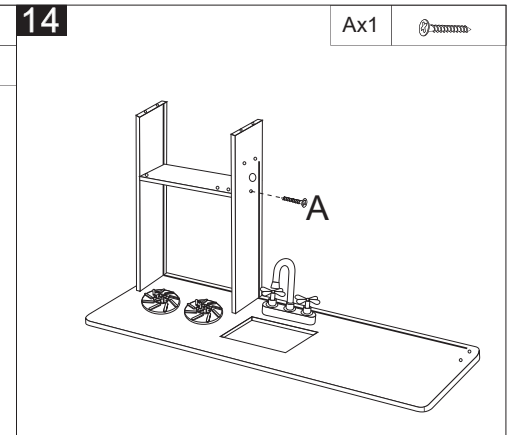
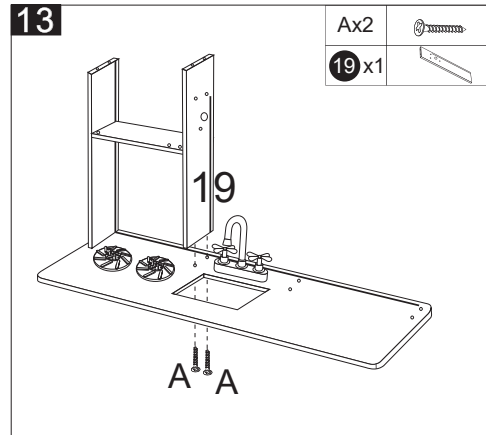
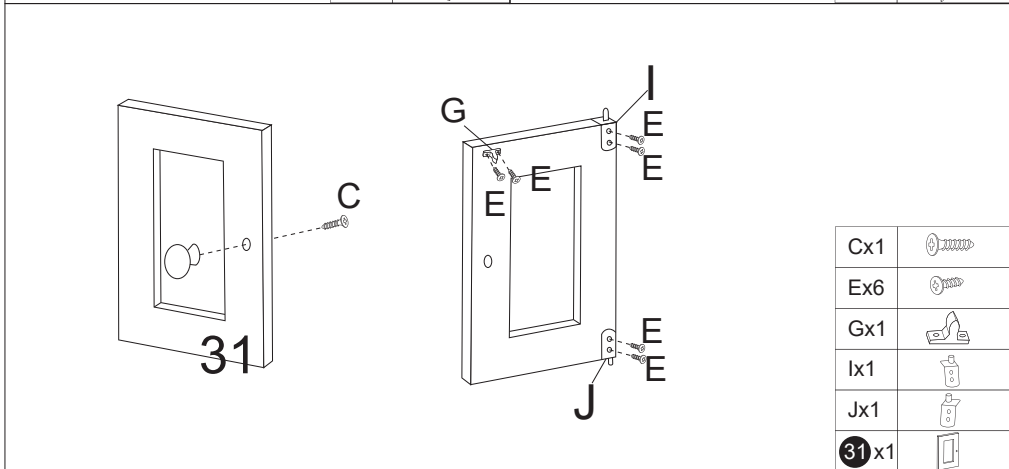
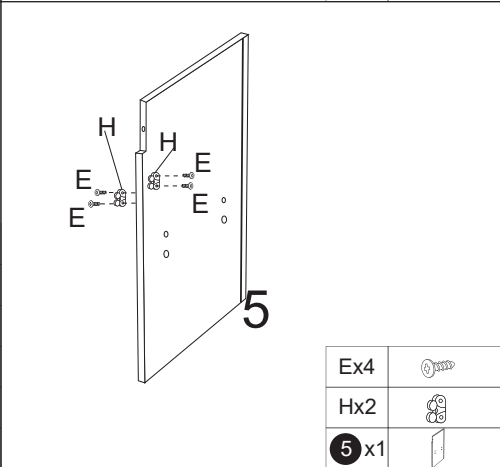
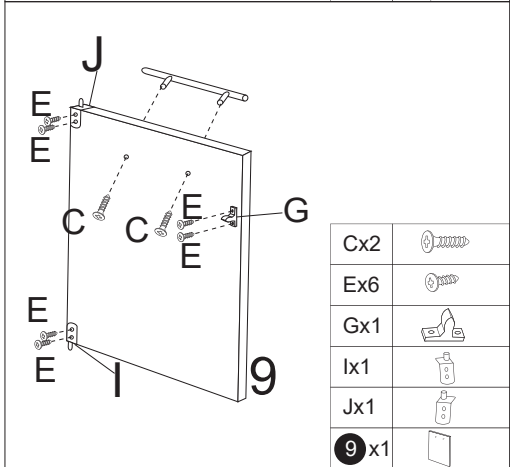
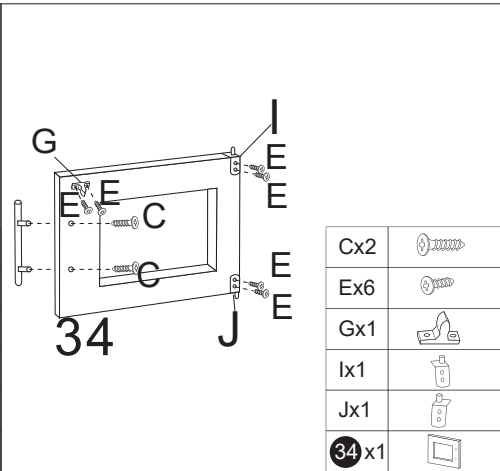
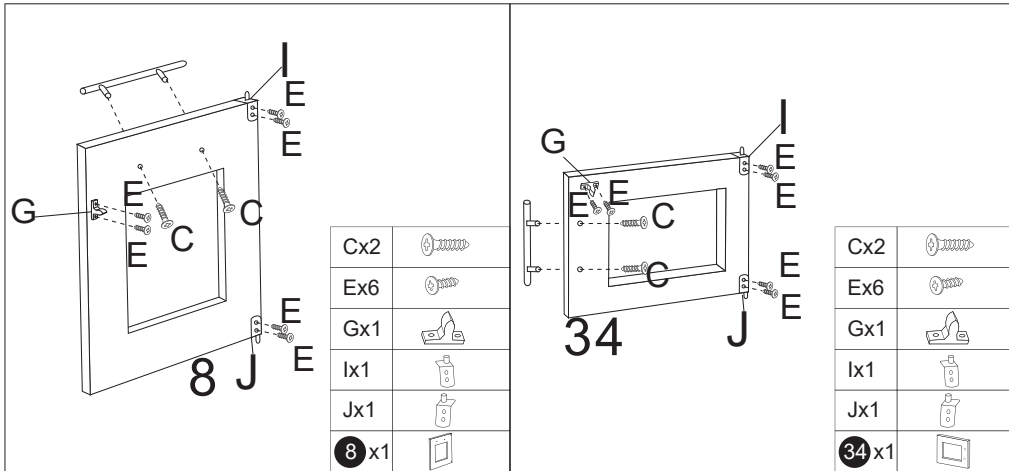
1



If drilling screw too tight, the button cannot rotate and make a sound.

25 Bx4 33x1  	26 34x1 
	
27 Ax8 35x1 36x1  	28 Lx8 
	





Cx1	
Ex6	
Gx1	
Ix1	
Jx1	
32x1	

Ex2	
Hx1	
35x1	

Ex4	
Hx2	
36x1	

Lx2	
26x1	
37x2	

Ax1	
Bx2	
10x1	

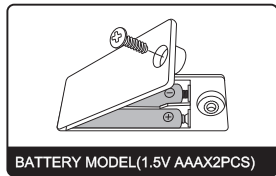
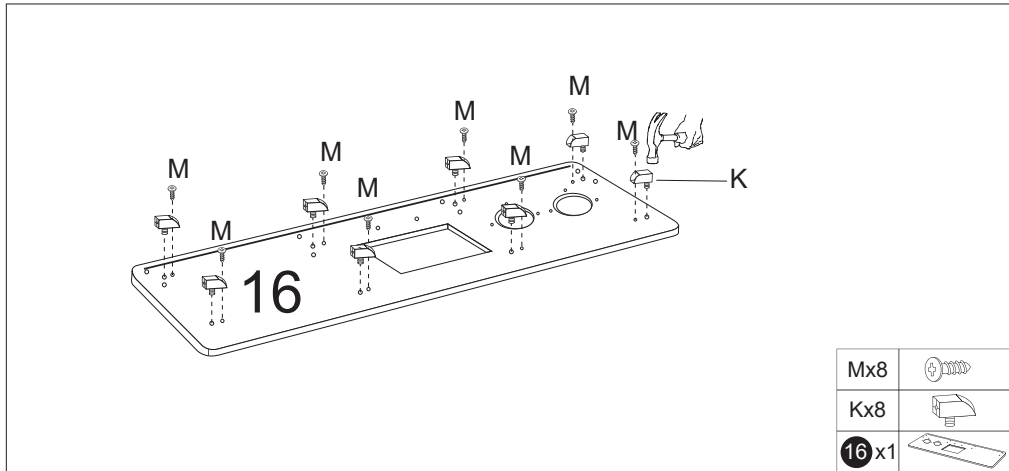
Ax5	
11x1	

Ax8	
3x1	
15x1	

12x2	
13x1	

Ax2	
16x1	
17x1	

Ax1	
Bx2	
18x1	



Warm Tip
Please assemble gas stove batteries first
before lock it on board!

