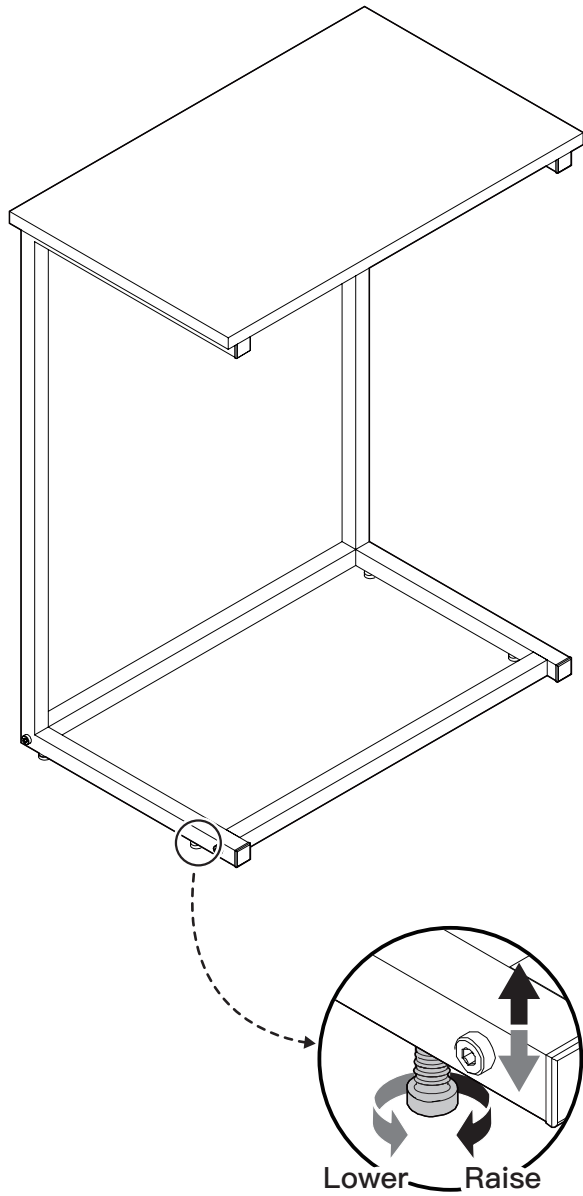


3 Level Adjustment

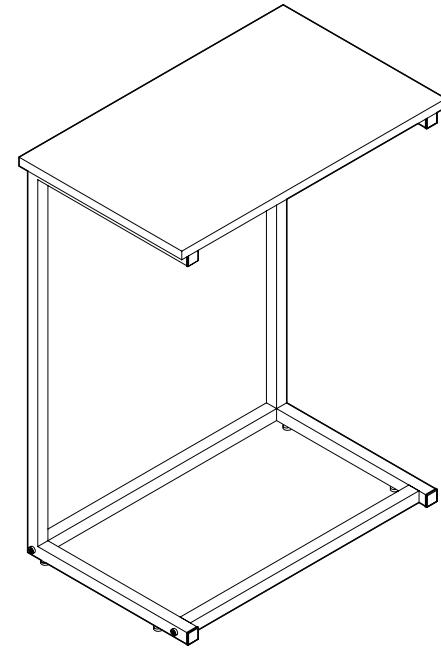


NOTE: If the unit is not level, adjust by turning the feet to raise or lower.

INSTRUCTION MANUAL

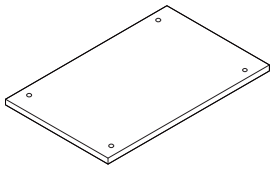
Rev02

PIET06/PIET06G/PIET06M/PIET06K2



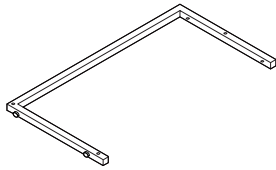
End Table

Supplied Parts and Hardware



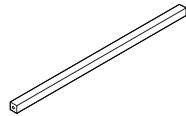
Desktop Panel
[A]

PIET06/PIET06G/PIET06M: x 1
PIET06K2: x 2



Desk Leg
[B]

PIET06/PIET06G/PIET06M: x 2
PIET06K2: x 4



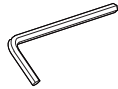
Tube
[C]

PIET06/PIET06G/PIET06M: x 3
PIET06K2: x 6



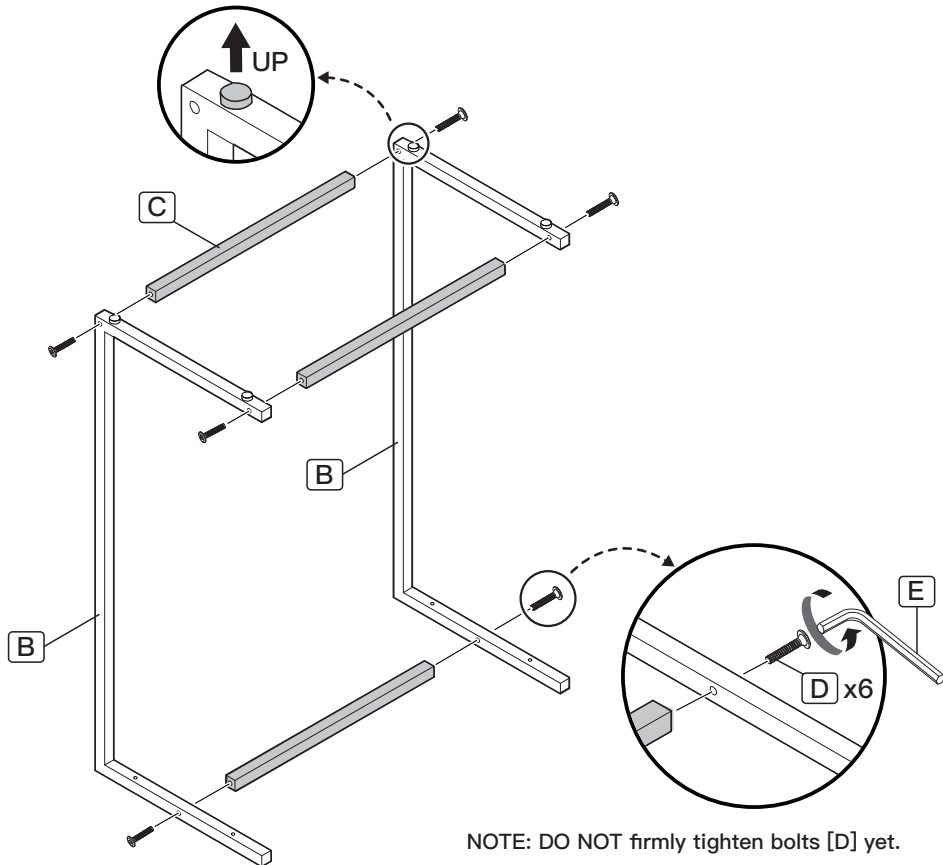
Bolt
M6 x 30mm
[D]

PIET06/PIET06G/PIET06M: x 10
PIET06K2: x 20



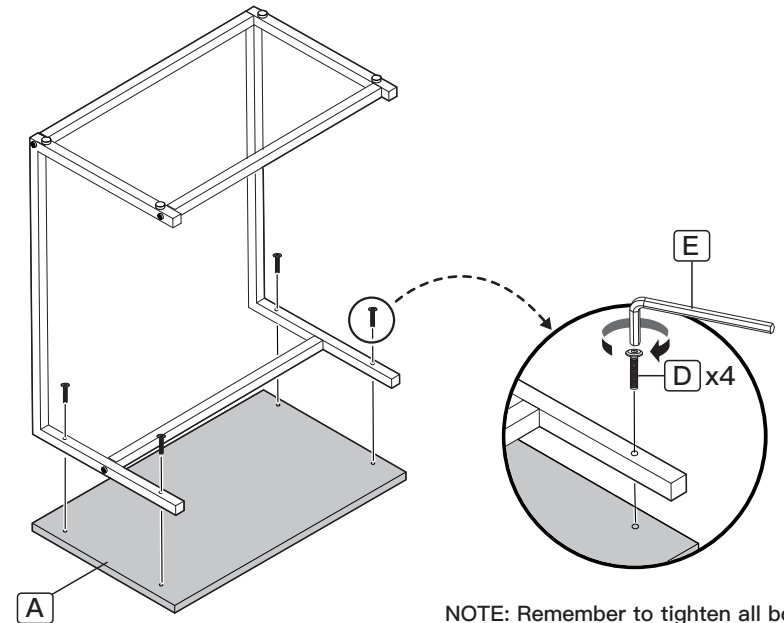
Allen Key
[E] x 1

1 Attach the Tubes to the Desk Legs

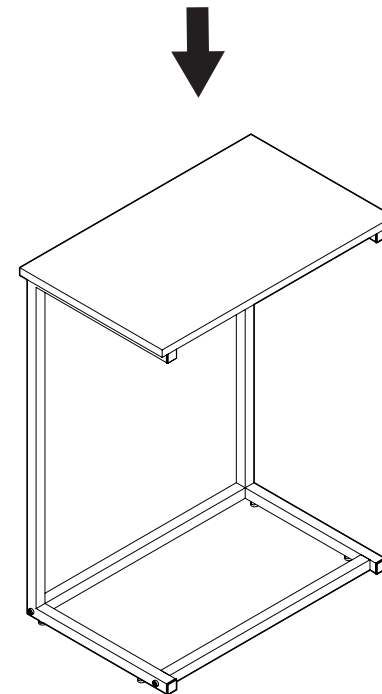


01

2 Attach the Frame to the Desktop Panel



NOTE: Remember to tighten all bolts [D].



02