

**BETHANY
59" ACRYLIC
FREESTANDING TUB**

Cat. No.
ATDNB59IG



L: 59"
W: 31-1/2"
H: 24"

Water depth: 18" to top of tub
Water depth 14-3/4" to overflow
Overflow slot length: 4"
Center drain to back of rim: 16"
Bottom of drain to floor: 4"
Bathing well to floor: 5"
Base Height: 4"
Sitting area: 14"

The following is recommended for ATDNB59IG- tubs:
•Faucets: part #7901 or 7913
(Supplies included with filler)

Gallon Capacity : 64
Shipping Weight: 128 lbs.
Empty Weight: 106 lbs.
Filled Weight: 637 lbs.



For easier installation we recommend use of 5598-ITD Easy Install Rough-In Kit

Features:

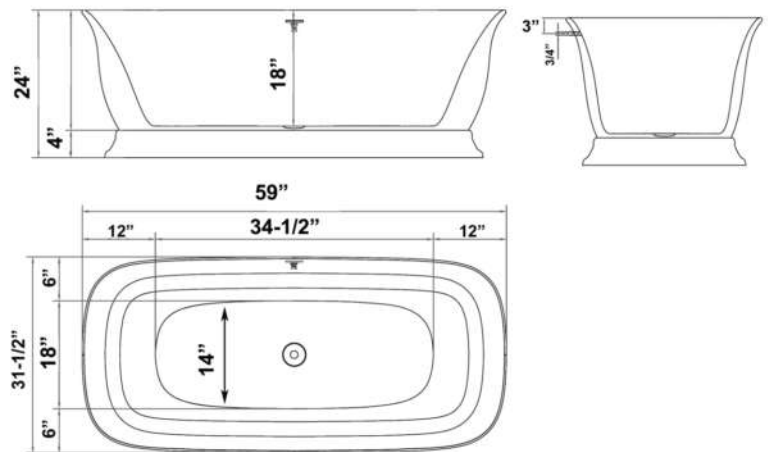
- ▶ Acrylic construction for lighter weight
- ▶ Drain and overflow covers included (available in 6 finishes)
- ▶ Overflow slot with integrated drain
- ▶ Drain included
- ▶ Freestanding tub
- ▶ Tub base included
- ▶ No faucet holes
- ▶ Angle slope of tub: 56°
- ▶ Rim measurement: 1"
- ▶ Tub is thoroughly inspected before shipment
- ▶ Option to add foam insulation between tub walls available
- ▶ Not compatible with the air jet system



Finishes:

- CP** Polished Chrome
- BN** Brushed Nickel
- ORB** Oil Rubbed Bronze
- PB** Polished Brass
- PN** Polished Nickel
- WT** White

Custom Colors Available (inside of tub is always white enamel):
Painted bathtubs are considered "special order" and are not returnable
\$160 Bisque or Black \$250 Designer Color



Dimensions of fixture are nominal and specifications subject to change without notice.