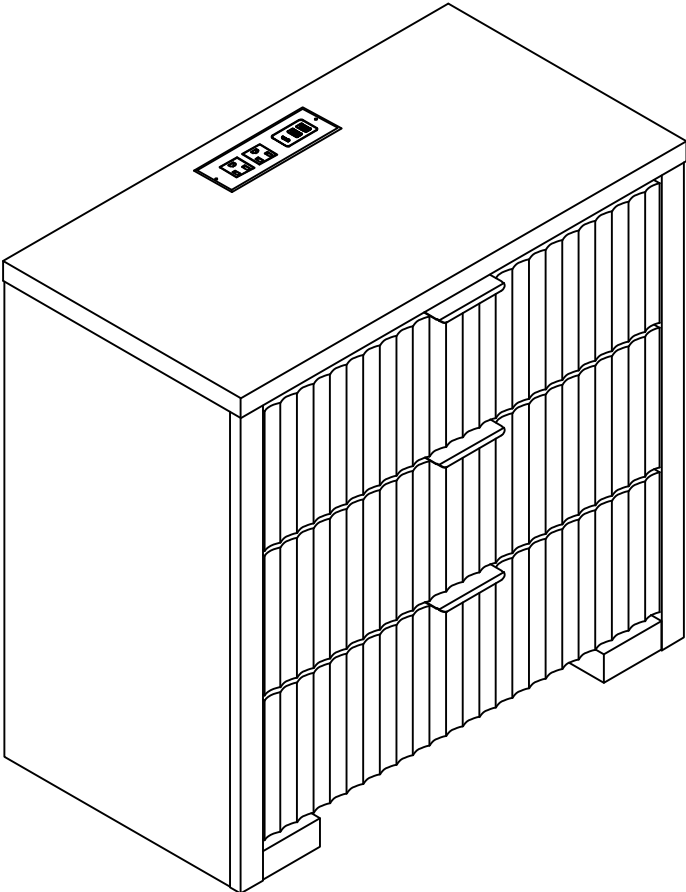


Instruction Manual

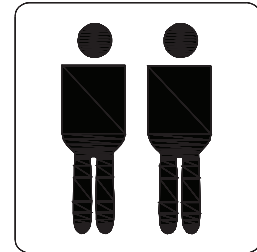
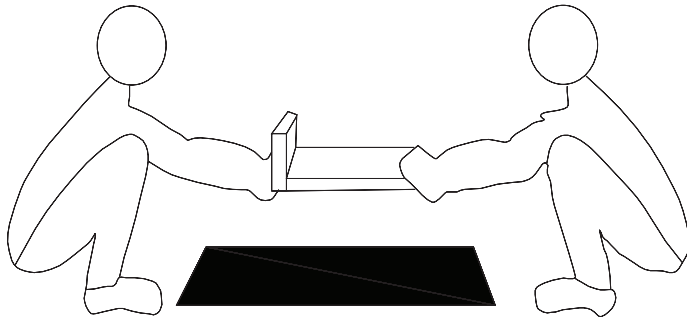


General Guidelines

- Please read the following instruction carefully and use the product accordingly.
- Please keep this manual and hand it over when you transfer the product.
- This summary may not include every detail of all variations and considered steps. Please contact us when further information and help needed.

Notes

- The product must be assembled and used in accordance with the provisions of the manual. Personal injury and damage to product may occur if products are used outside of their intended purposes and/or if product have been change/modified from their original design. The seller does not assume any responsibility or liability with respect to any injury/damage caused by incorrect assembly or improper use.
 - Avoid long-term exposure to humid environments to prevent mildew.
 - Keep the product away from fire sources and high temperatures. Do not expose the product to sunlight.
 - Do not place any hot objects on the surface of the product.
 - If there are any defective or missing parts after unpacking, please cease assembly immediately and contact us.
 - Please assemble the item on a spacious surface and do not place the unwrapped product directly on the ground to avoid product damage.
 - Please do not stand or sit on the wooden boards.
 - Please wear gloves during the assembly and/or disassembly process to avoid scratches from any sharp edges.
 - Please match the corresponding part and fitting based on the part number in the manual. If the part does not match with the fitting, please check the piece as specified in this manual.
 - During assembly, first loosely align all screws with the corresponding pre-drilled holes and then tighten the screws one by one.
 - Periodically inspect screw tightness while the product is in use. If necessary retighten to ensure structural integrity.
 - If you accidentally spill water or another liquid on the surface, immediately wipe clean with a dry towel.
- Please keep the product away from sharp, pointed objects and corrosive substances to prevent product damage.
- Please place this item on level, solid ground during use.



TIPS

1. When installing the product, use a soft surface (such as carpet or cardboard) to avoid scratching or damaging the surface of the product.
2. Please try to use a manual screwdriver instead of an electric screwdriver. A manual screwdriver can be used to better control the tightness of the screws.
3. Do not use glue.
4. The product is unstable before assembly. Please observe the product installation sequence and align all screws and screw holes before tightening.
5. The structure of this product may not meet the requirements of children climbing.

INTRODUCTION




Thank you very much for choosing our Pantry Cabinet.
Please read this manual before using the product, as it may contain some information you don't know. If you have any questions, please feel free to send us email.

PACKAGE CONTAINS

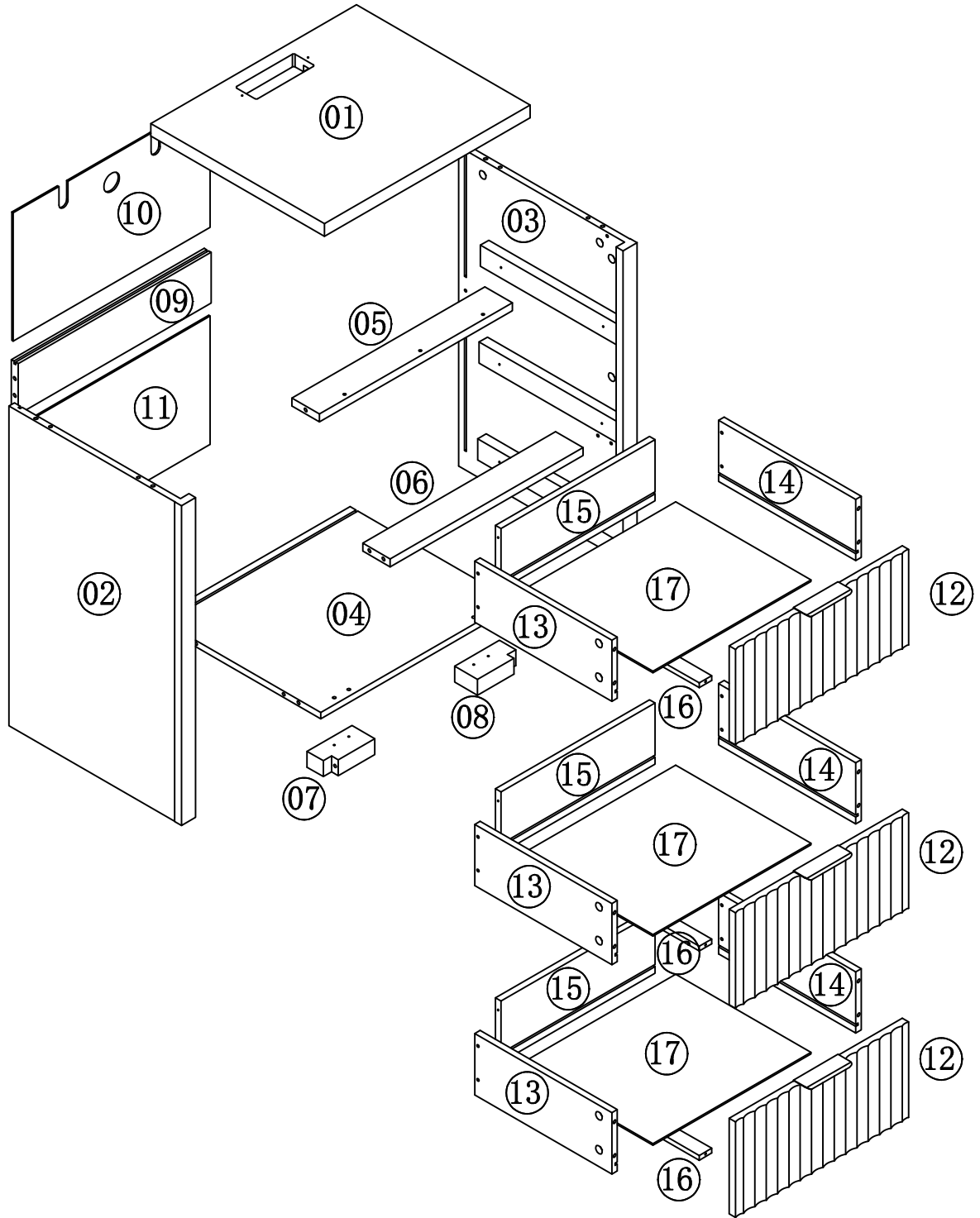
WARNING

Serious or fatal injury may occur from unexpected assembly or use.

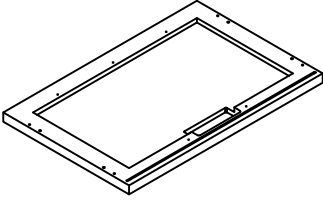
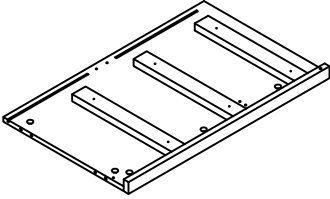
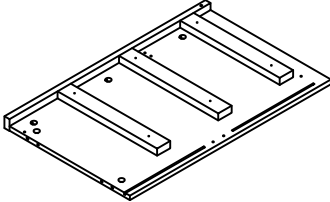
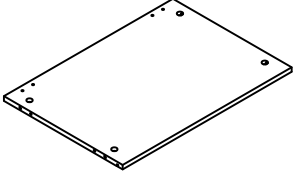
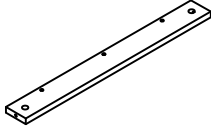
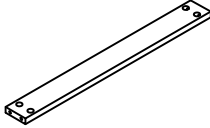
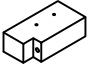
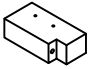
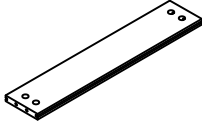
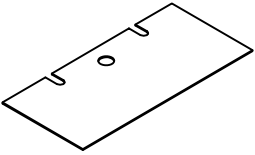
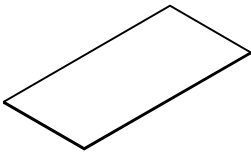
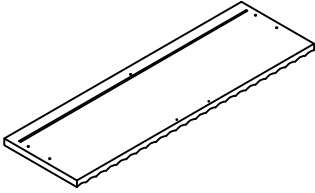
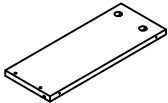
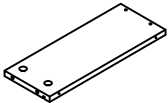
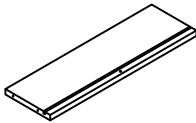
1. During assembly, keep all small parts out of reach of children. Swallowing or inhaling may be fatal.
2. To avoid the potential dangers of suffocation, please keep all parts and packaging (film, plastic bags, foam, etc.) away from babies and children.
3. Be sure to securely fix this product to the wall. Ensure that there are no hidden electrical wires, water pipes, or gas pipes in the wall where you plan to drill holes.
4. Children should not climb or play on the product in order to avoid tipping over the furniture and causing serious injury.
5. Use of tip-over restraints may only reduce, but not eliminate the risk of tip-over.
6. Unless specifically designed for that purpose, do not place heavy objects on this product.
7. Place the heaviest items on the lowest shelf.

 WARNING	
	<p>Children have died from furniture tipover. To reduce the risk of furniture tipover:</p> <ul style="list-style-type: none">• ALWAYS install tipover restraint provided.• NEVER put a TV on this product.• NEVER allow children to stand, climb or hang on drawers, doors, or shelves.• NEVER open more than one drawer at a time.• Place heaviest items in the lowest drawers.
	

Parts List(EN) / Teile Liste(DE)

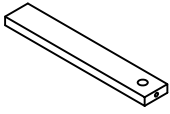


Parts List(EN) / Teile Liste(DE)

<p>①</p>  <p>1 PC</p>	<p>②</p>  <p>1 PC</p>	<p>③</p>  <p>1 PC</p>
<p>④</p>  <p>1 PC</p>	<p>⑤</p>  <p>1 PC</p>	<p>⑥</p>  <p>1 PC</p>
<p>⑦</p>  <p>1 PC</p>	<p>⑧</p>  <p>1 PC</p>	<p>⑨</p>  <p>1 PC</p>
<p>⑩</p>  <p>1 PC</p>	<p>⑪</p>  <p>1 PC</p>	<p>⑫</p>  <p>3 PCS</p>
<p>⑬</p>  <p>3 PCS</p>	<p>⑭</p>  <p>3 PCS</p>	<p>⑮</p>  <p>3 PCS</p>

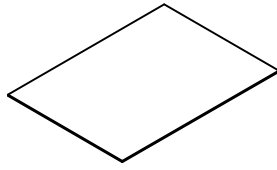
Parts List(EN) / Teile Liste(DE)

①⑥



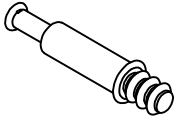

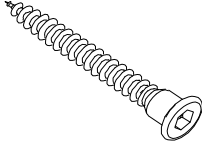
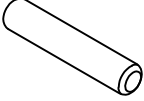
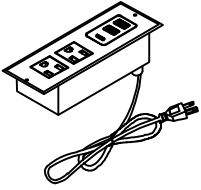
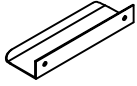
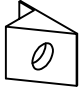



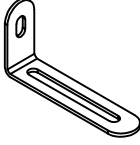
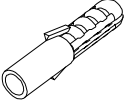
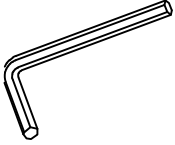
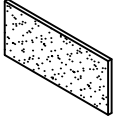
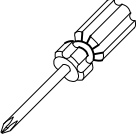

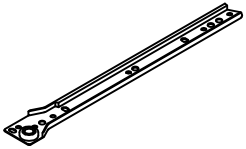
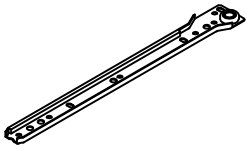
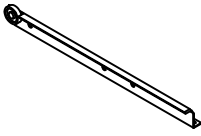
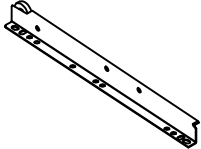
3 PCS

①⑦



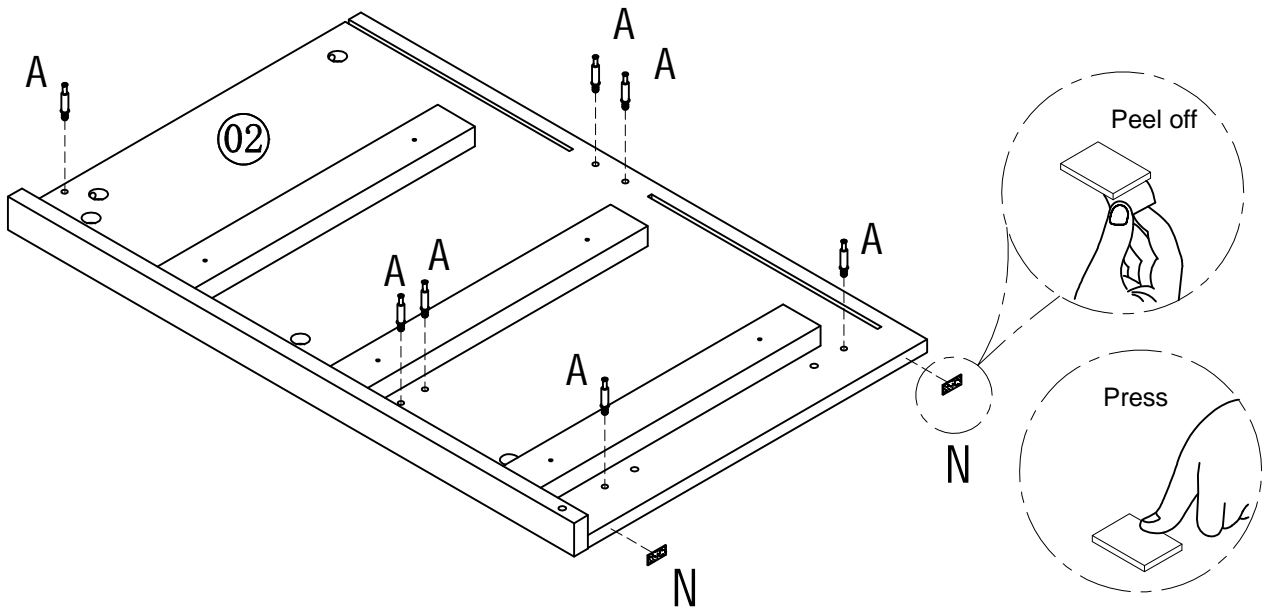
3 PCS



Hardware List(EN) / Teile Liste(DE)

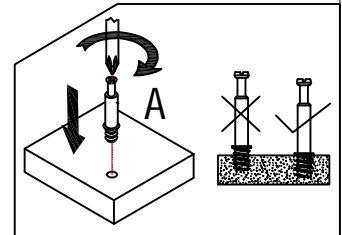
<p>A</p>  <p>$\phi 6 * 35\text{mm}$ 33PCS</p>	<p>B</p>  <p>$\phi 15 * 10\text{mm}$ 33PCS</p>	<p>C</p>  <p>$\phi 5 * 45\text{mm}$ 4PCS</p>	<p>D</p>  <p>$\phi 6 * 30\text{mm}$ 10PCS</p>
<p>E</p>  <p>1PC</p>	<p>F</p>  <p>120*40*18 3PCS</p>	<p>G</p>  <p>13*13*11mm 10PCS</p>	<p>H</p>  <p>M3*16mm 10PCS</p>
<p>I</p>  <p>M3*12mm 34PCS</p>	<p>J</p>  <p>M4*35mm 20PCS</p>	<p>K</p>  <p>2PCS</p>	<p>L</p>  <p>M8*37mm 2PCS</p>
<p>M</p>  <p>M4 1PC</p>	<p>N</p>  <p>35*12mm 4PCS</p>	<p>O</p>  <p>1PC</p>	<p>P</p>  <p>$\phi 21$ 33PCS</p>
<p>CL</p>  <p>L300mm 3PCS</p>	<p>CR</p>  <p>L300mm 3PCS</p>	<p>DL</p>  <p>L300mm 3PCS</p>	<p>DR</p>  <p>L300mm 3PCS</p>

Assembly Steps(EN) / Montageschritte(DE)

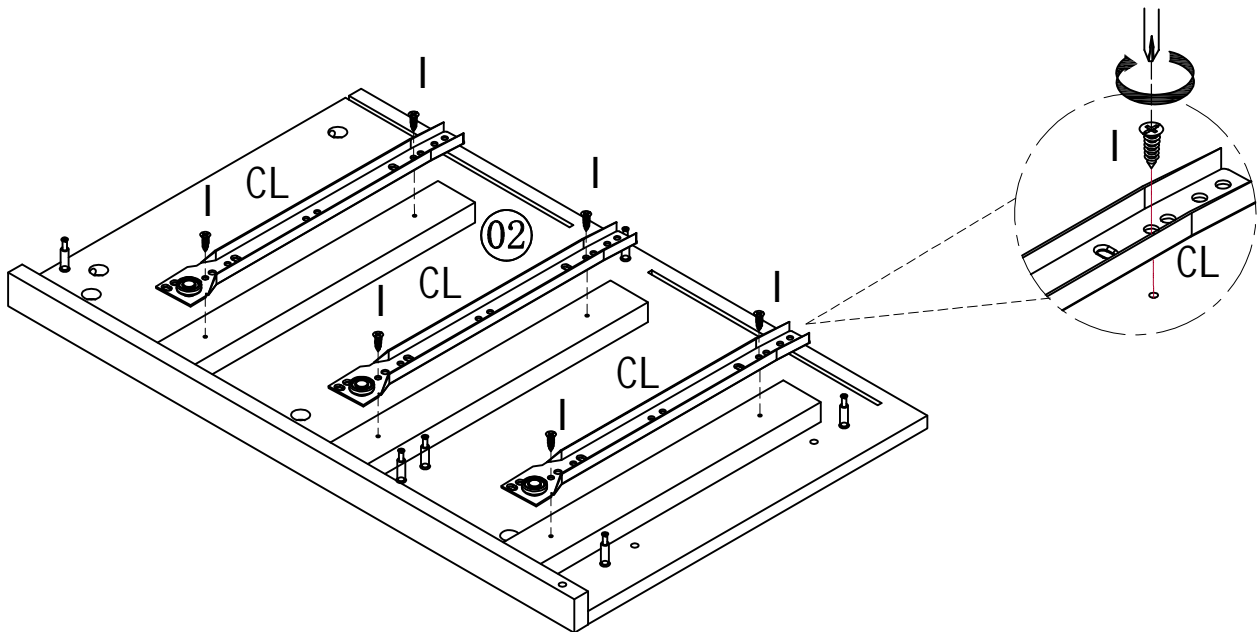
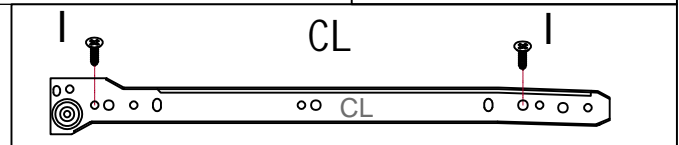
STEP1





	A*7PCS
	N*2PCS



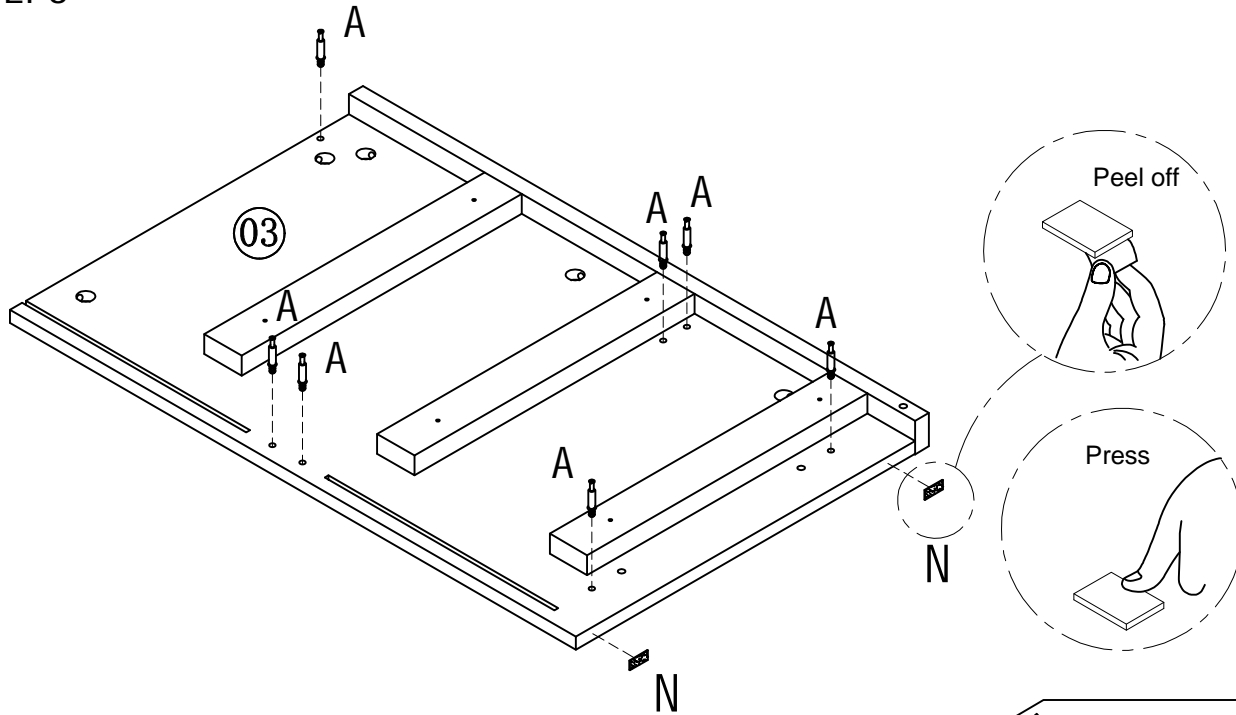
STEP2





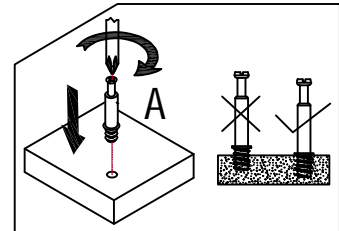
	I*6PCS
	CL*3PCS

Assembly Steps(EN) / Montageschritte(DE)

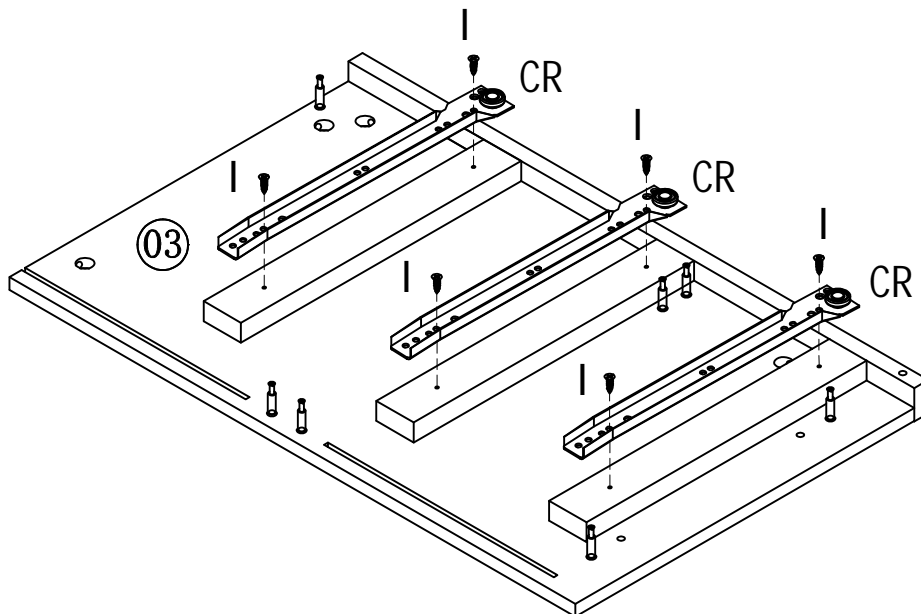
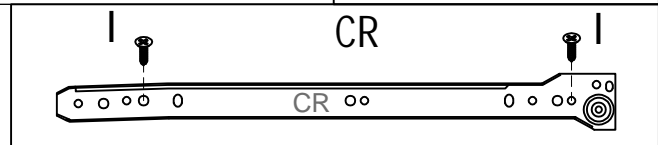
STEP3





	A*7PCS
	N*2PCS



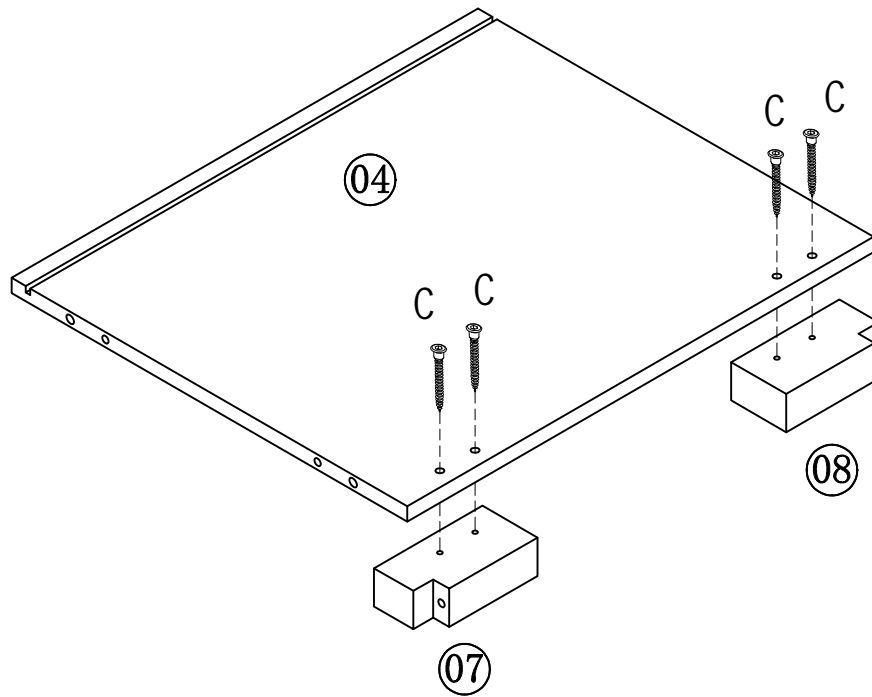
STEP4




	I*6PCS
	CR*3PCS

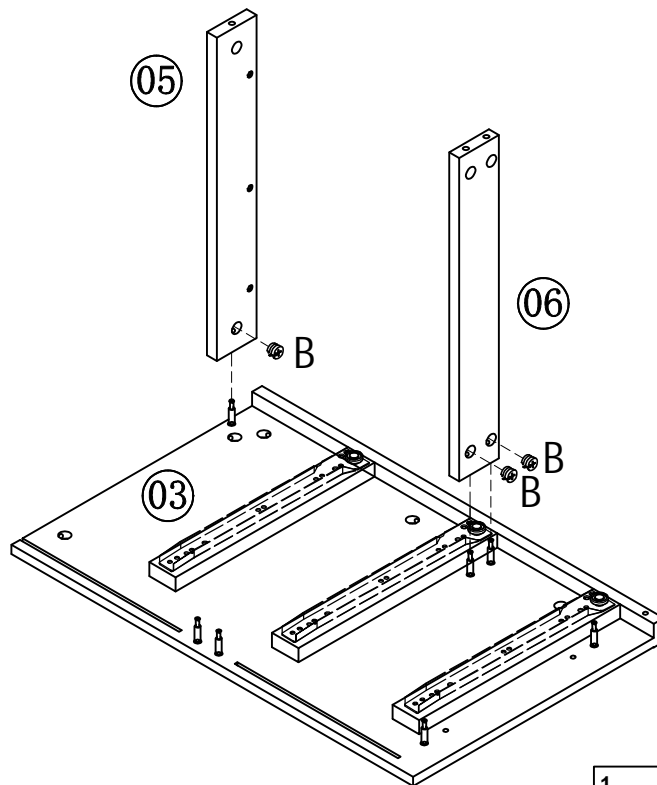
Assembly Steps(EN) / Montageschritte(DE)


STEP5

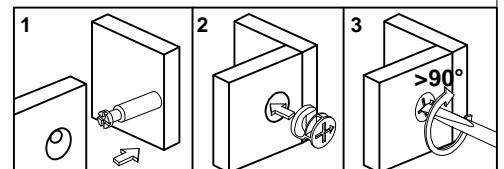


 C*4PCS

STEP6

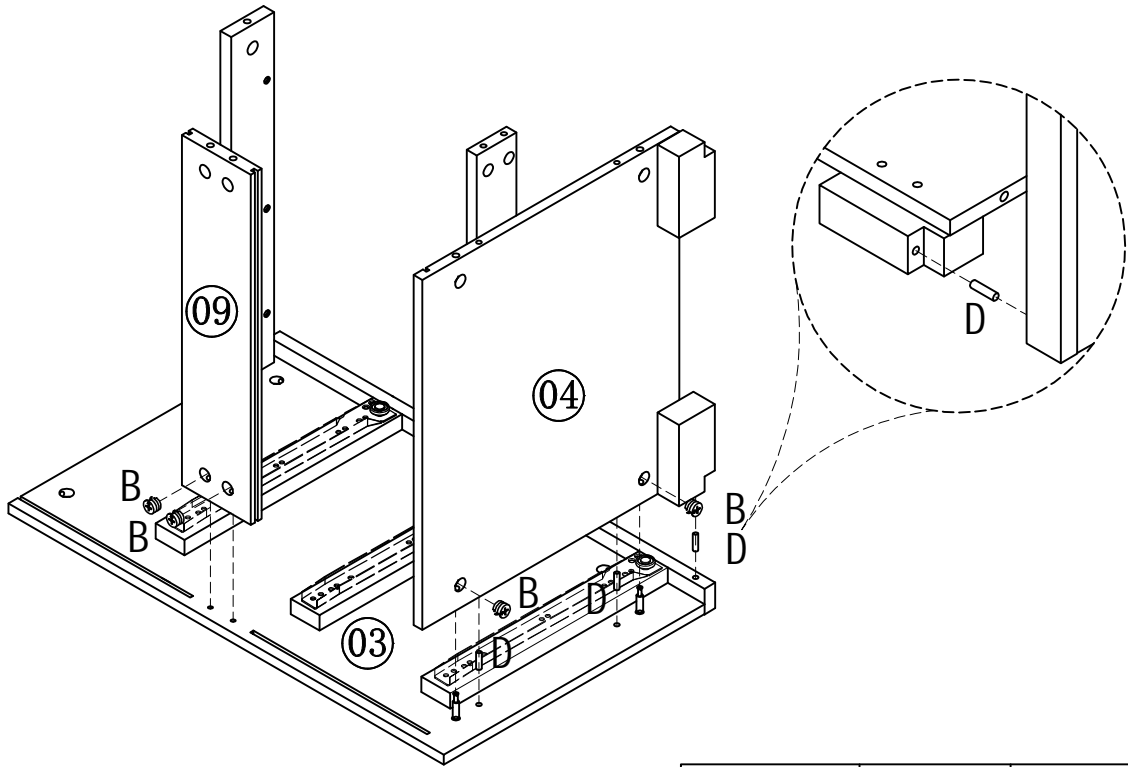


 B*3PCS

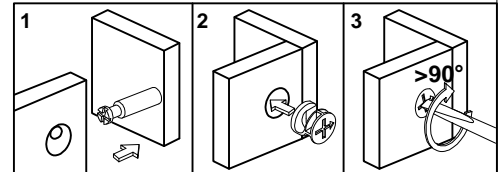


Assembly Steps(EN) / Montageschritte(DE)

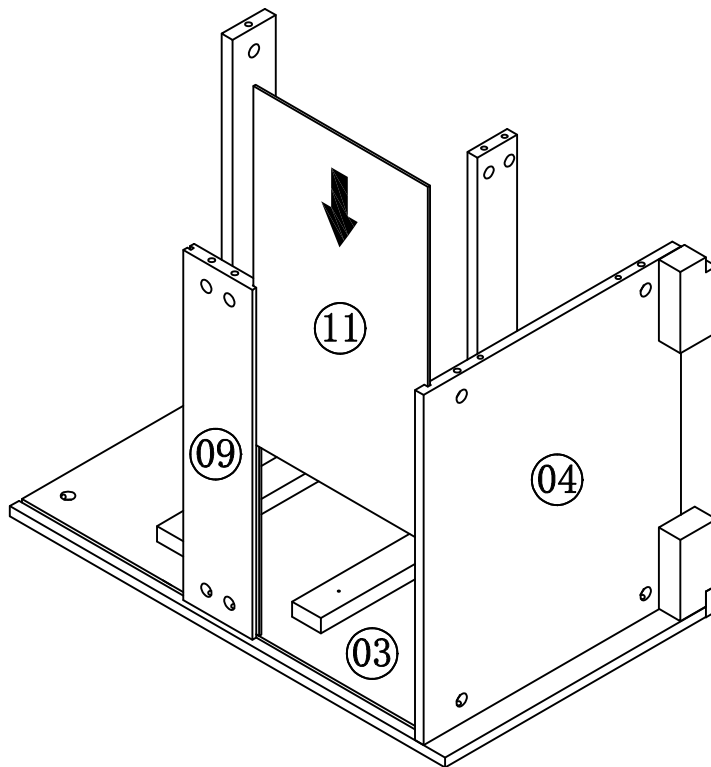
STEP7



	B*4PCS
	D*3PCS

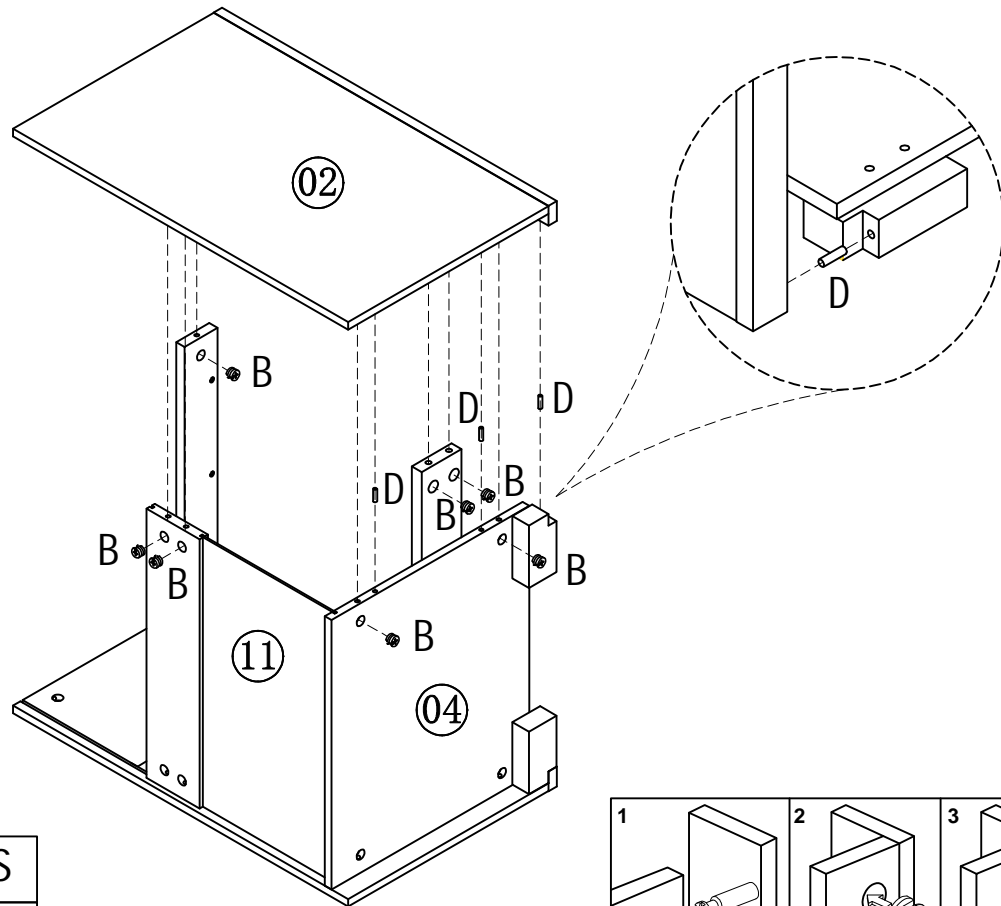




STEP8

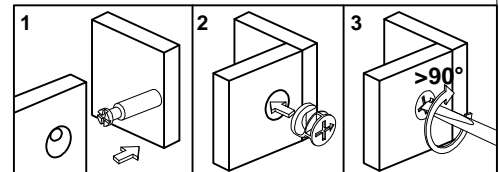


Assembly Steps(EN) / Montageschritte(DE)

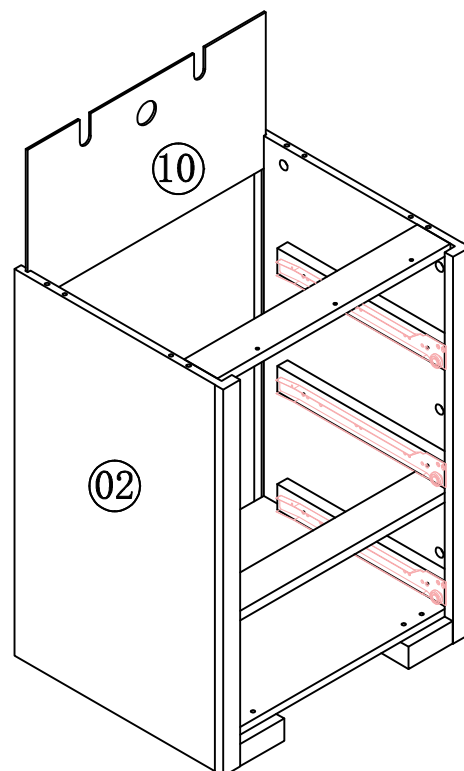
STEP9



	B*7PCS
	D*3PCS

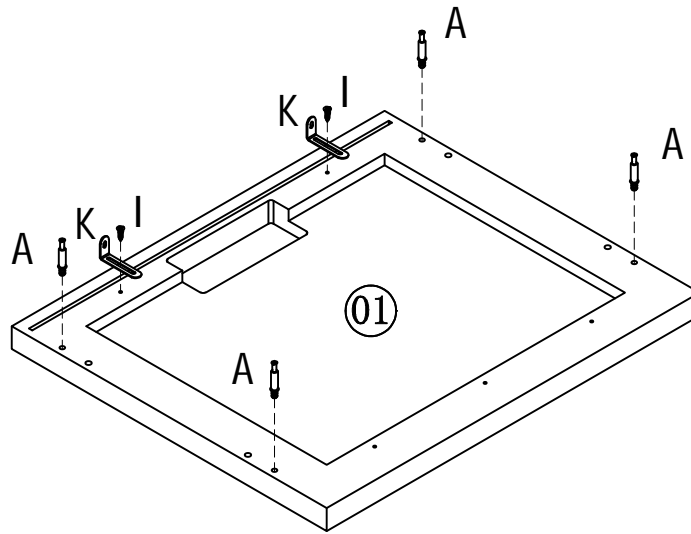





STEP10

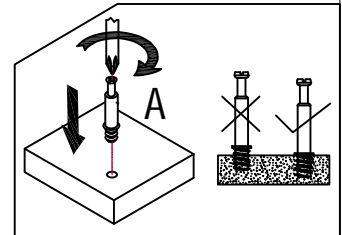


Assembly Steps(EN) / Montageschritte(DE)

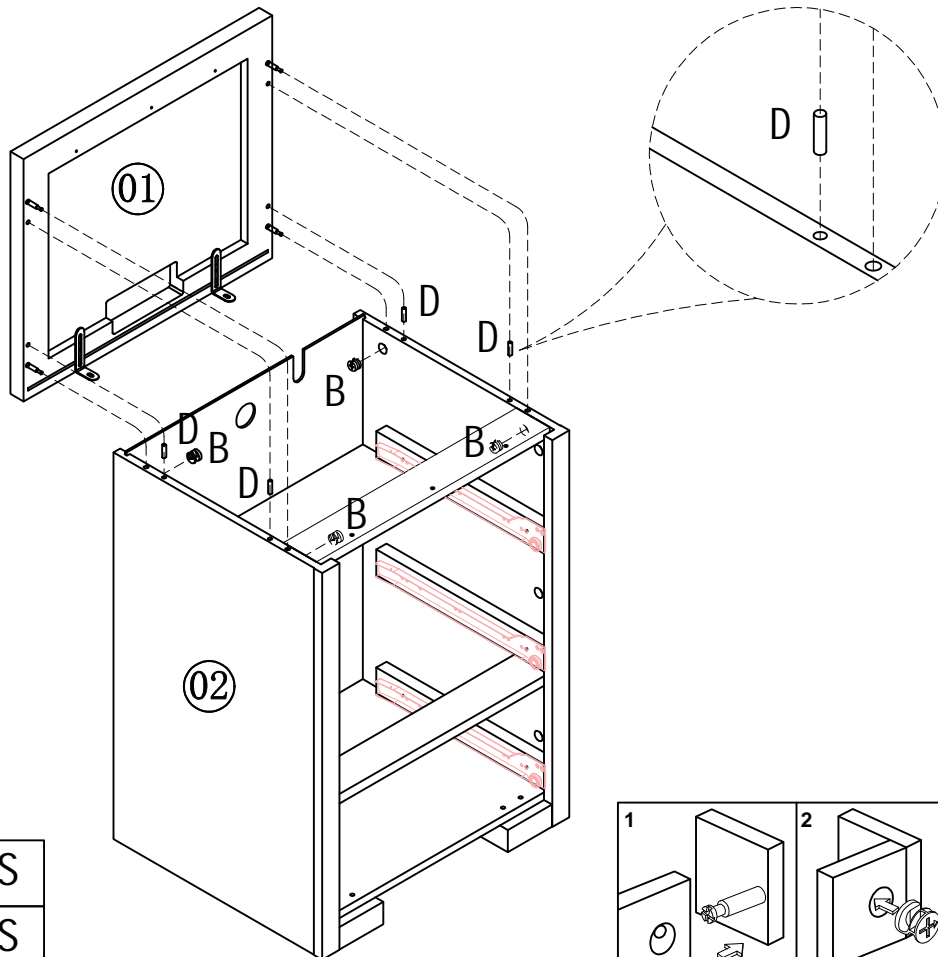
STEP11


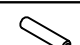


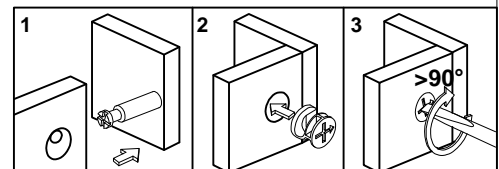
	A*4PCS
	I*2PCS
	K*2PCS



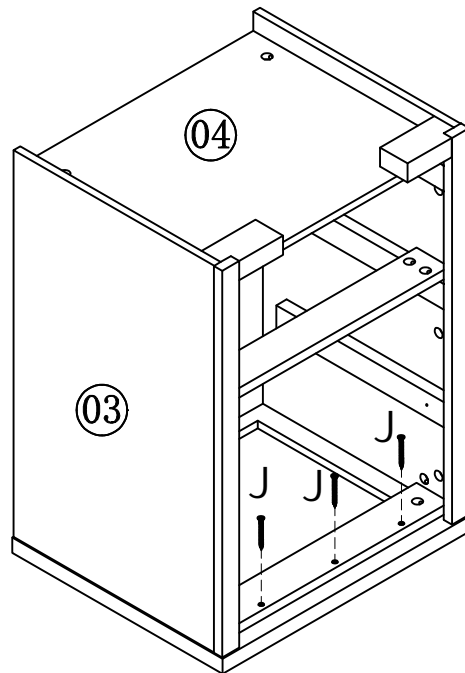
STEP12




	B*4PCS
	D*4PCS

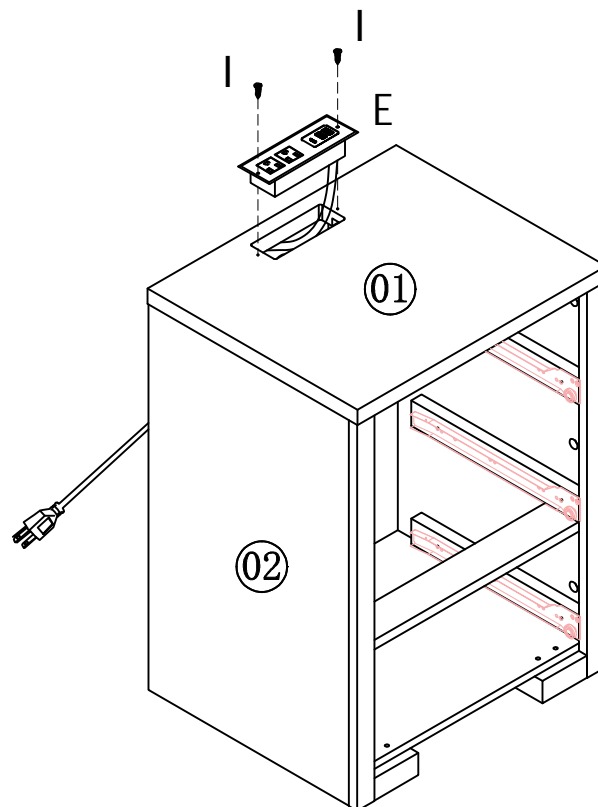




STEP13



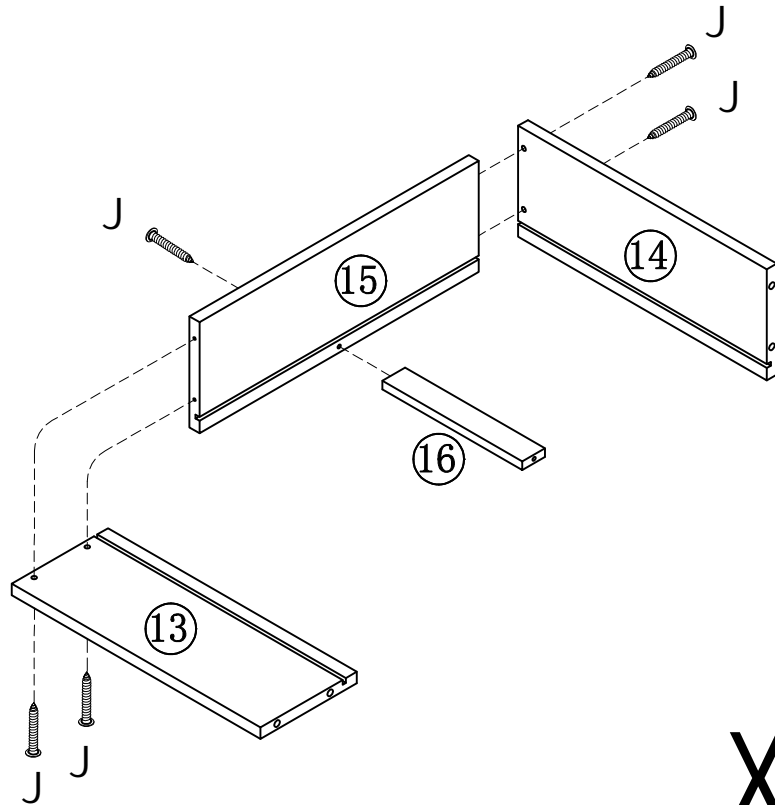
	J*3PCS
---	--------

STEP14



	E*1PC
	I*2PCS

STEP15

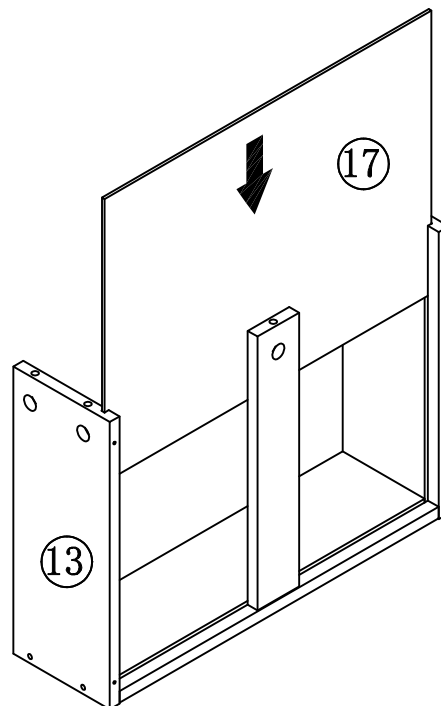


X3



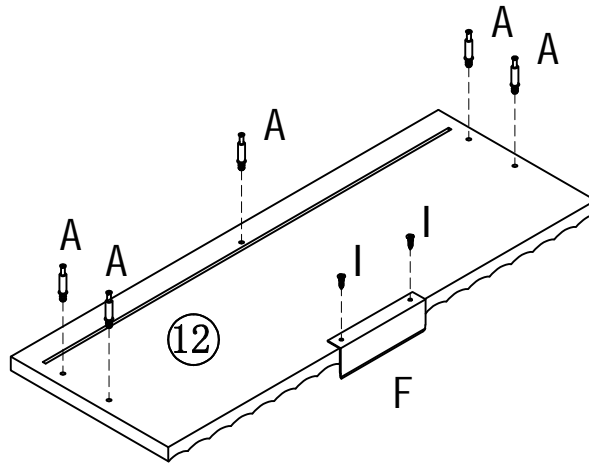
J*15PCS

STEP16






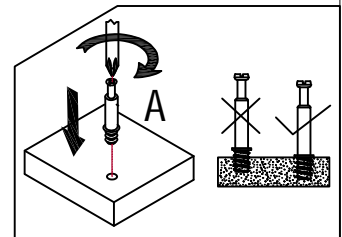
X3

STEP17

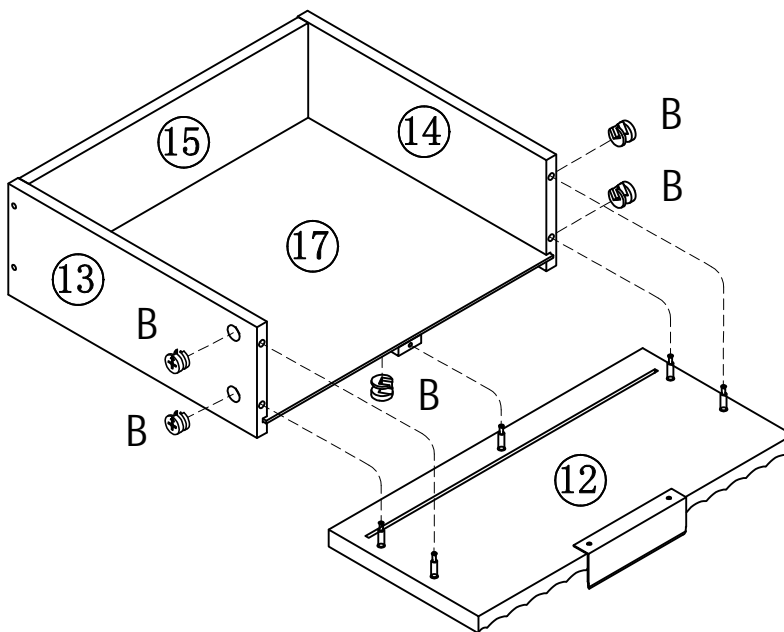


X3


	A*15PCS
	F*3PCS
	I*6PCS

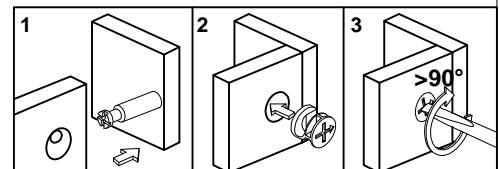


STEP18



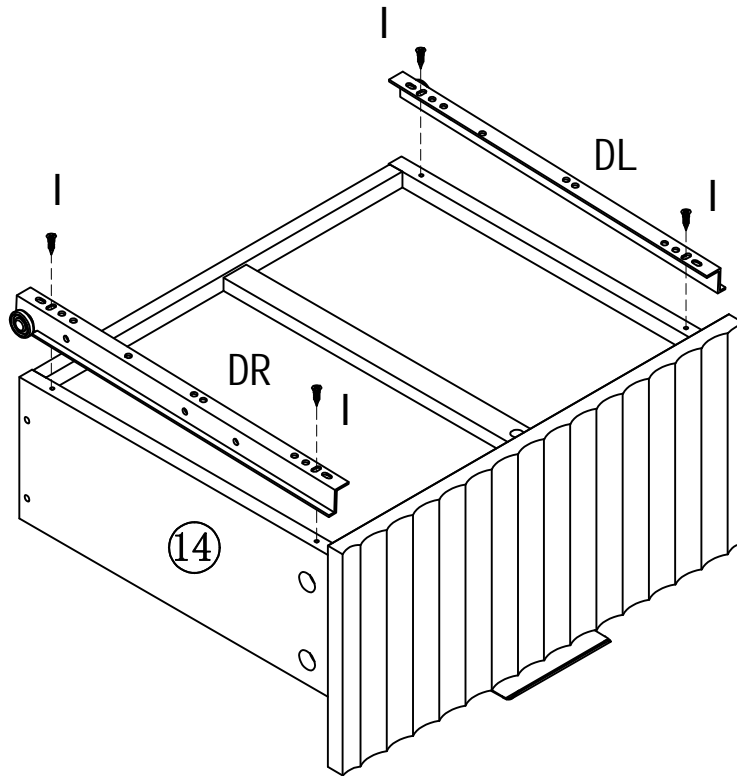
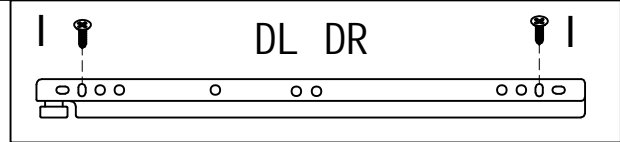
X3

	B*15PCS
---	---------




Assembly Steps(EN) / Montageschritte(DE)

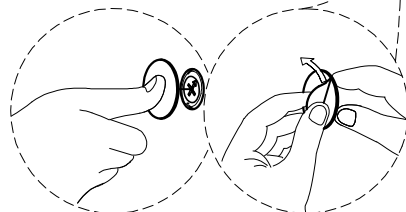
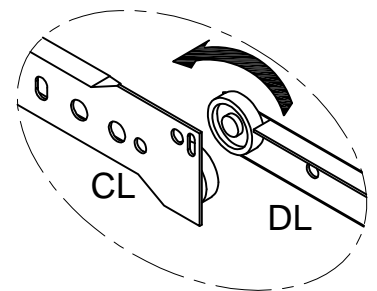
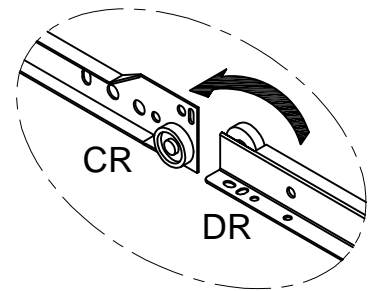
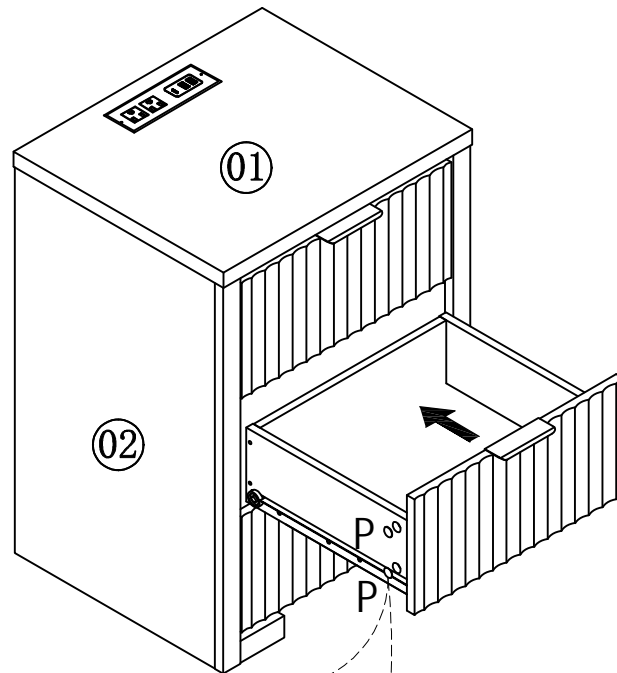
STEP19




X3

	I*12PCS
	DL*3PCS
	DR*3PCS

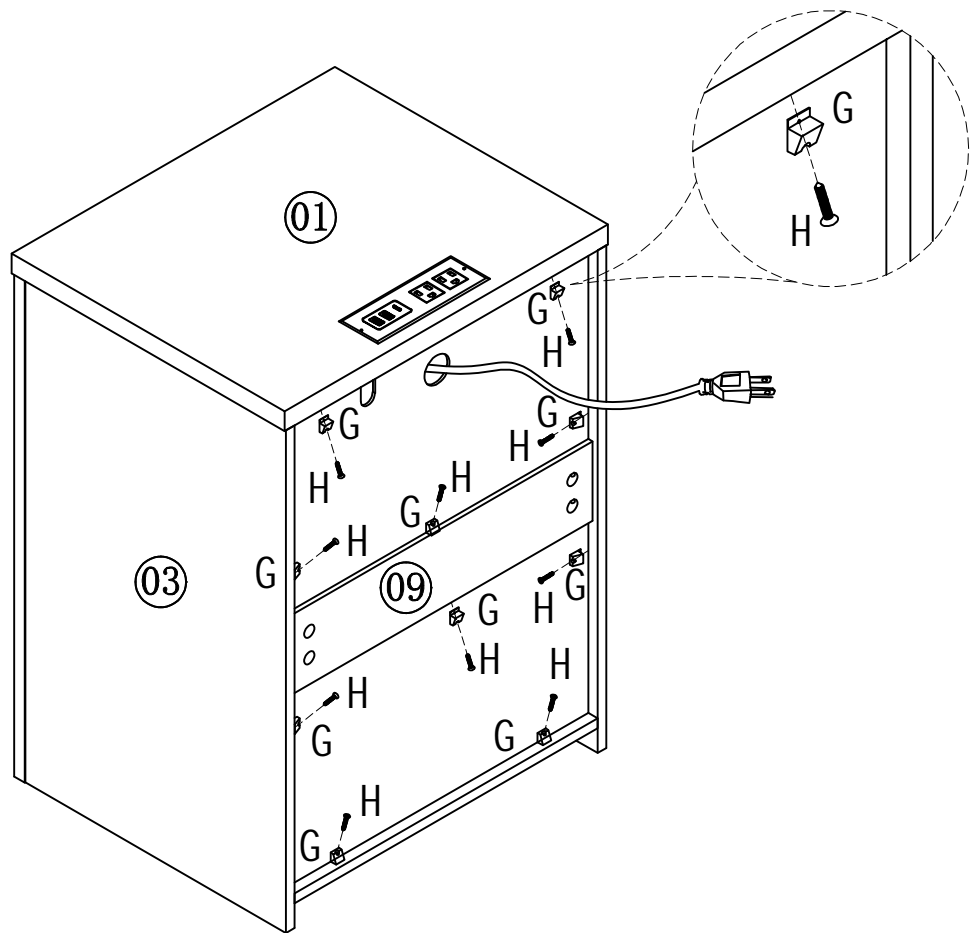
STEP20





Cover the visible

	P*33PCS
---	---------

STEP21

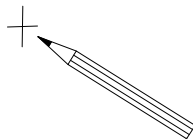


	G*10PCS
	H*10PCS

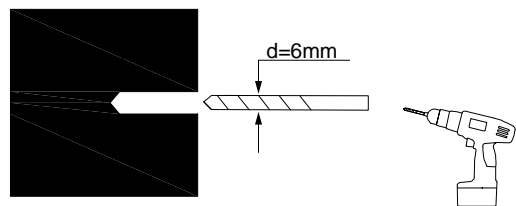
Method 1: For solid or concrete wall.



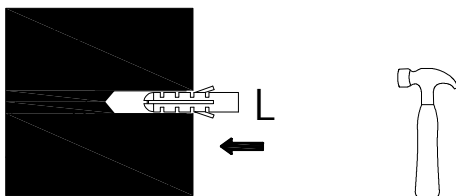
- ① 1.Choose your desired location on the wall. Have your friend hold the product in place and use a pencil to mark where the anchor will go.



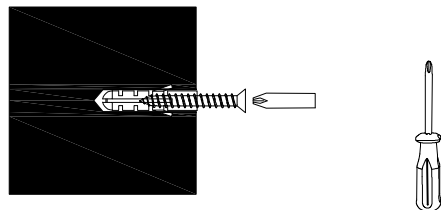
- ② 2.Pre-drill holes on the wall with a drill bit that is larger than the diameter of the wall anchors.




- ③ 3.Gently insert the wall anchor into the pre-drilled hole.

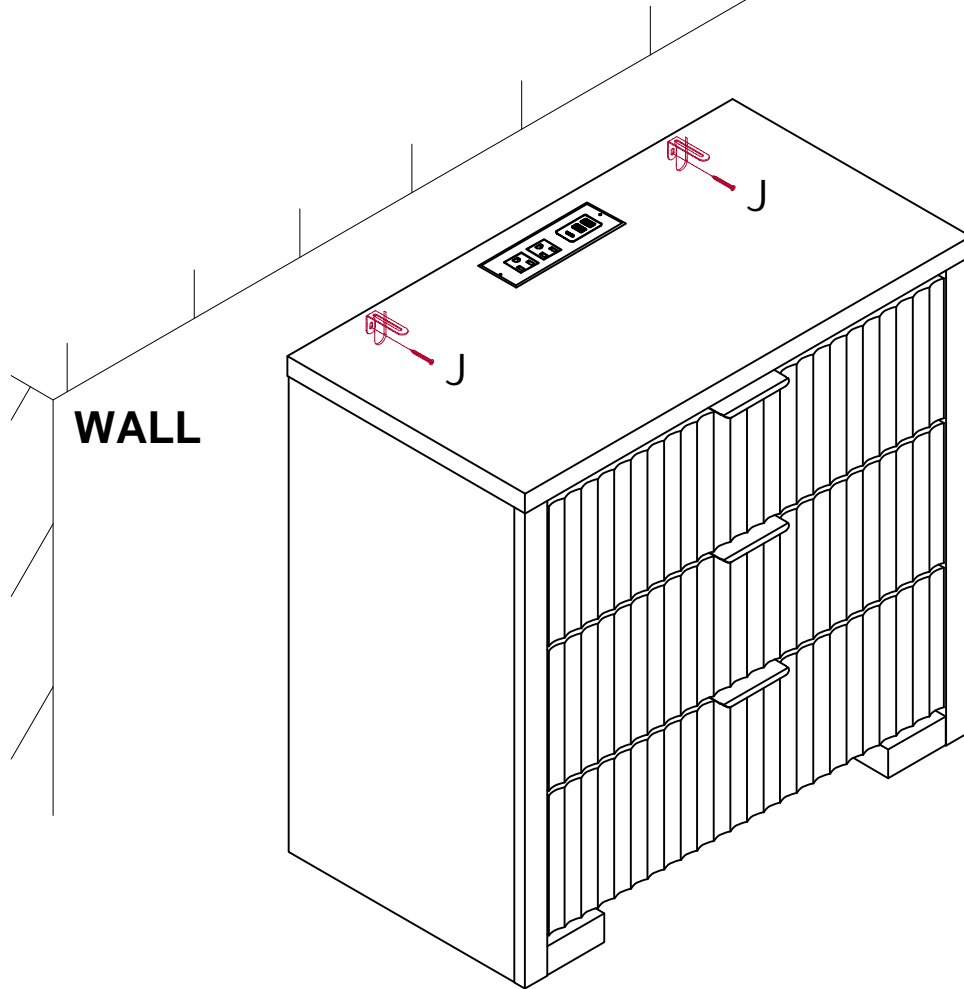



- ④ 4.Insert the screws into the wall anchor with a screwdriver to complete the installation.



	L*2PCS
---	--------

STEP22



 J*2PCS

FINISH