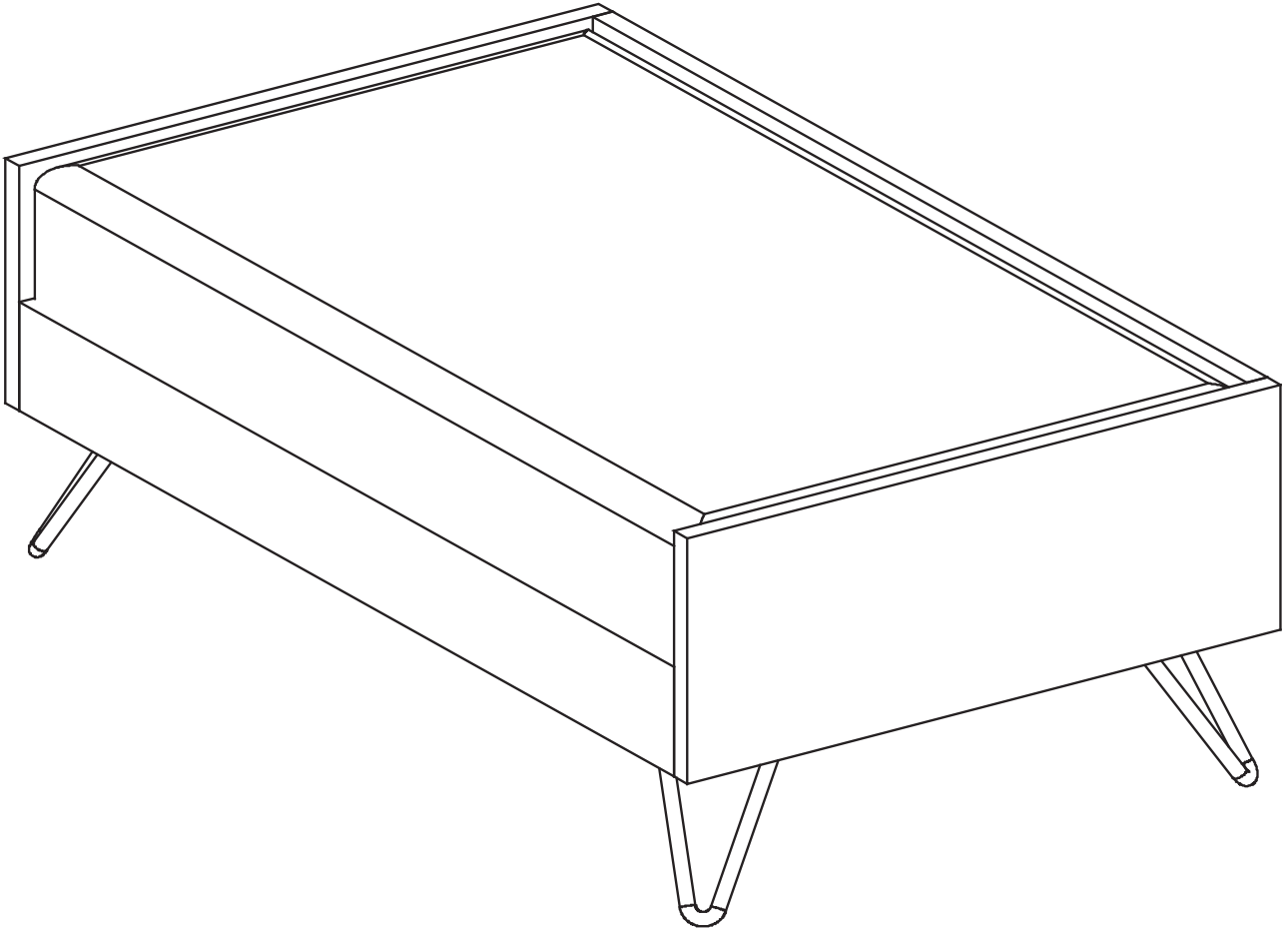


# Assembly Instructions

Caution: You must read this before you proceed.

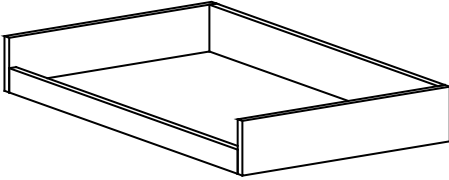

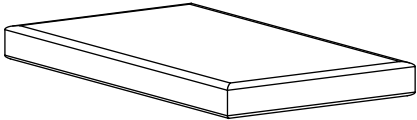
Please look in the velcro pouch for hardware packs legs

## Dog Bed



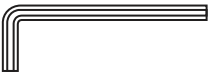


**CAUTION :** This Dogbed is NOT a TOY.  
Keep your child / children at bay in the process of assembly.  
For turning the Dogbed and to prevent damage to the Dogbed, 02 persons may be needed to execute this action.

# Part List

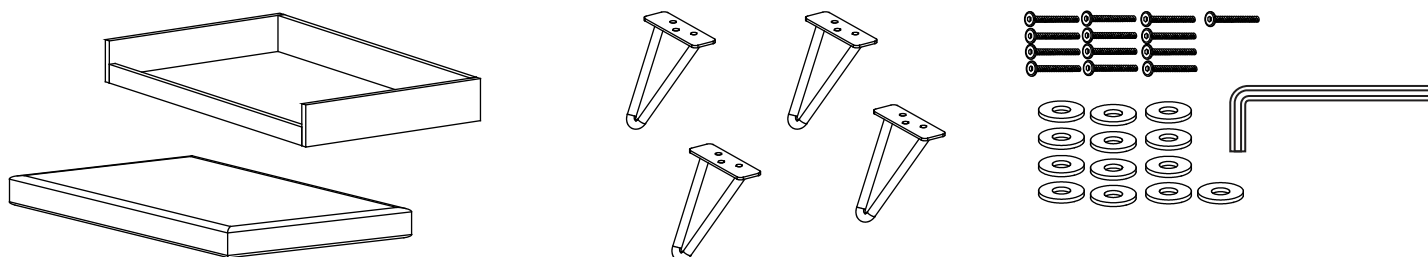
Label	Picture	Description	Qty
A		Bed	1
B		Leg	4
C		Cushion	1






# Hardware

Label	Picture	Description	Qty
①		Bolt (M6x20mm)	13
②		Washer (M6.5x18x2mm)	13
③		Allen Wrench	1

# Assembly Preparation

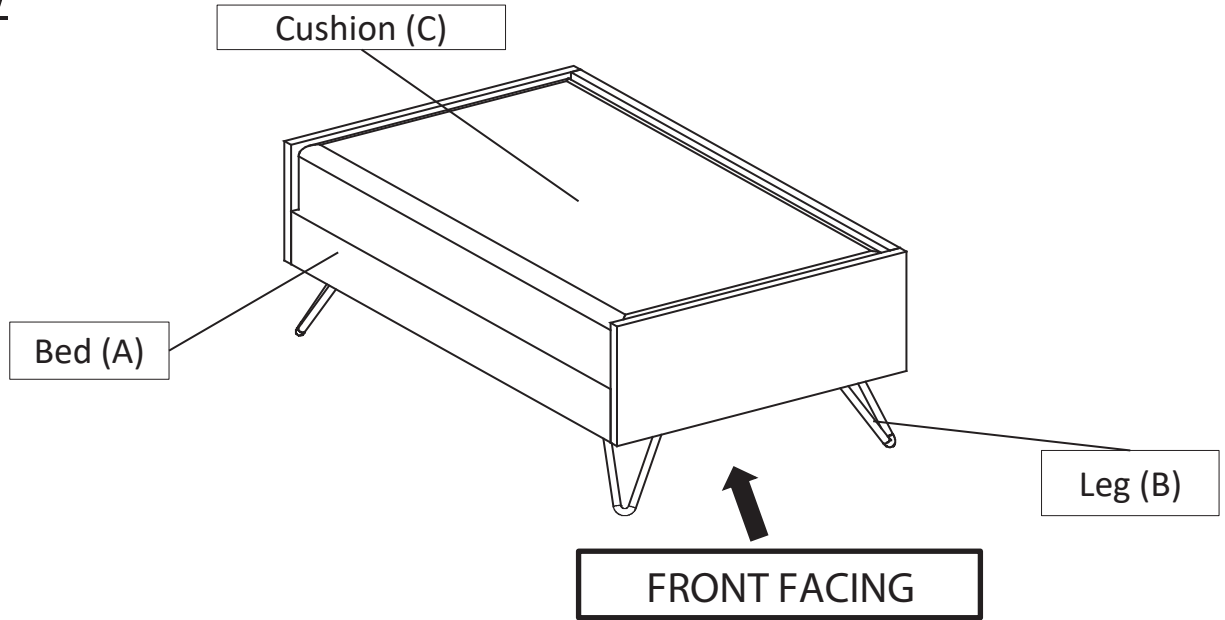
Before Beginning Assembly:



-  • Read instructions, cover to cover-
-  • Have 2 adults on hand for assembly-
-  • Do not assemble on flooring or carpet-
-  • Assemble on a clean non-marring surface (packing foam)-
-  • Save all packaging until finished-

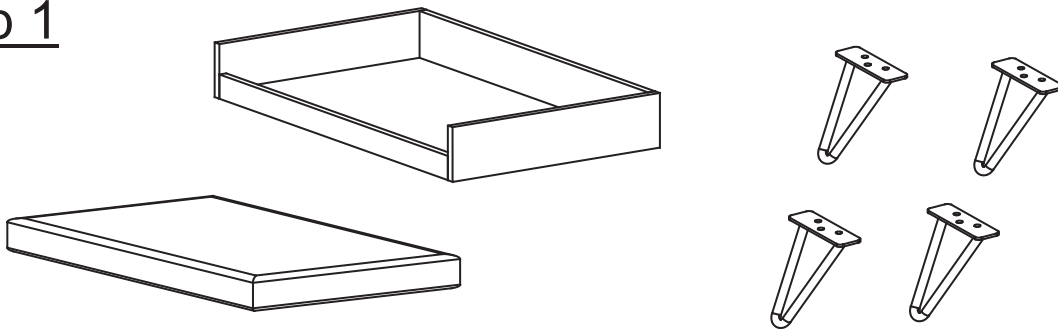
# Assembly Steps

## Overview



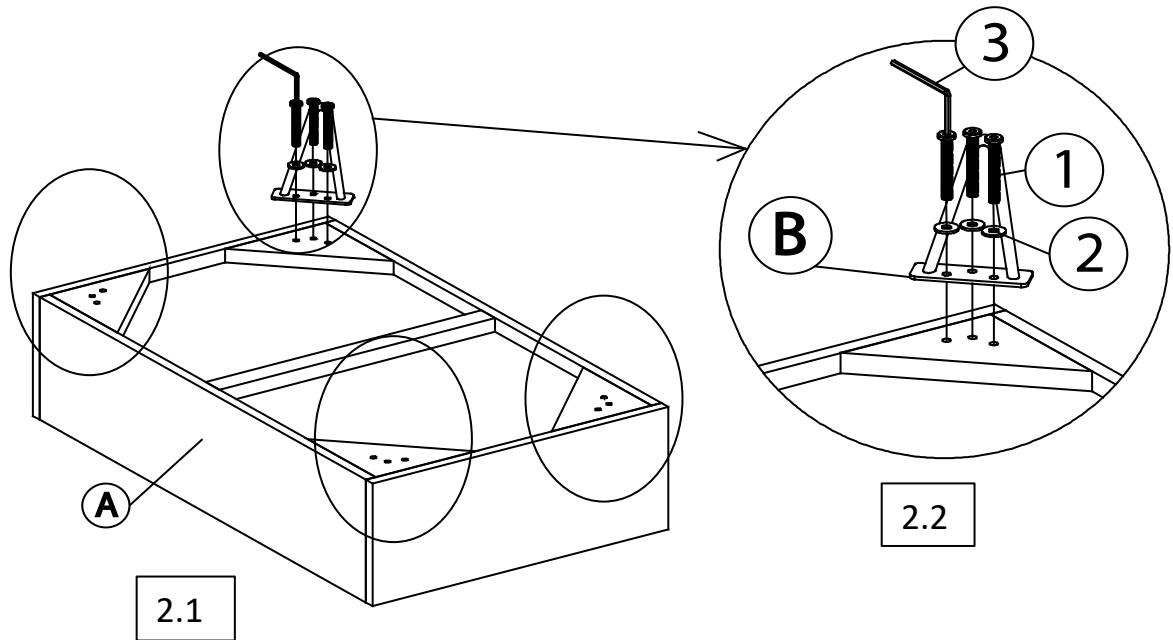
This Dog Bed has multiple parts and may require up to 15 minutes to assemble. To give you an overview of the Dog Bed, the above picture to assemble to help you put the various parts into perspective. Please read through the instructions below to familiarise yourself with the parts and steps before assembly.

## Step 1



Unpack and place all parts on a clean, non-marring surface.

## Step 2

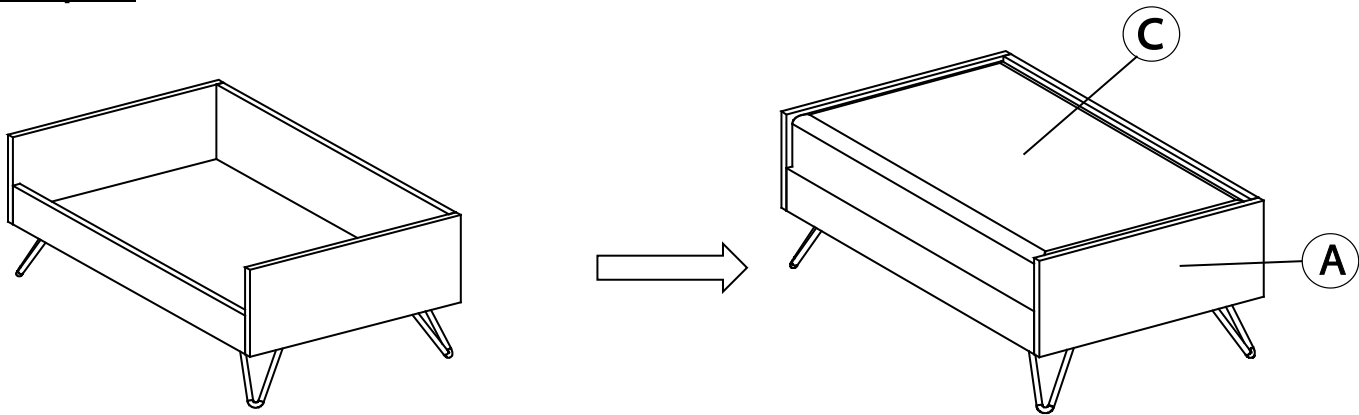


**2.1)** Place Bed(A) facedown onto a clean, non-marring surface.

**2.2)** Attach Legs(B) to Bed(A) using Bolts(①), and Washers(②) with AllenWrench (③) as pictured above.

**Do not fully tighten the Bolts.**

## Step 3













In a sequential manner, gradually tighten all Bolts until evenly secured. Inspect the Dog Bed and make sure all parts are adequately connected. Place Cushion(C) onto Bed(A) as shown in picture.

Your Dog Bed is ready for use.

**This Dog Bed can only be used on a flat, level surface.**

## Care & Maintenance

-  ● Do not put hot items directly on furniture surface.
  -  ● Do not clean furniture with harsh cleansers or polish.
  -  ● Do not place furniture under direct sunlight.
  -  ● Do not place furniture near heating or cooling vents.
  -  ● Do not write on furniture without a padded barrier to protect the surface.
  -  ● Do not place furniture outside. For indoor use only.
  -  ● Not for commercial use. For residential use only.
  -  ● Stains may be removed with mild soap solution and damp cloth.
  -  ● Children should not climb or jump on the furniture.
- 
-  ● Dust and pick-up spills using a clean, non-colored, lint-free cloth.