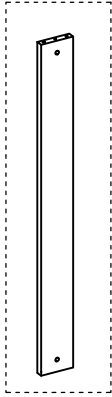


Ax2



Bx1



Cx2



Dx2



Ex2



M6x⁸⁵/_{3.3}

Fx6



Gx6



Hx17



Ix8



Jx8

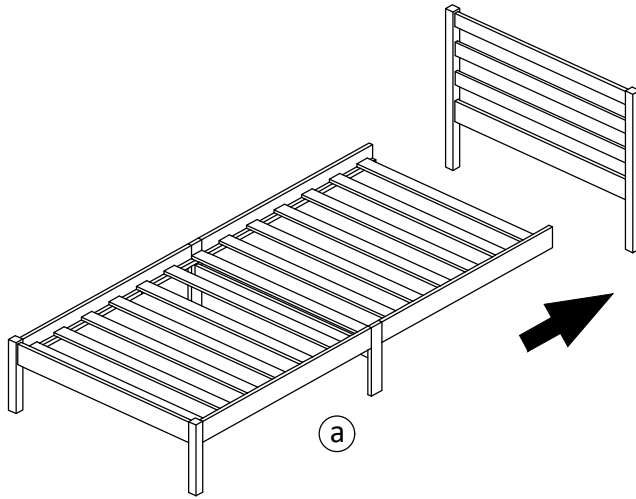


Kx8

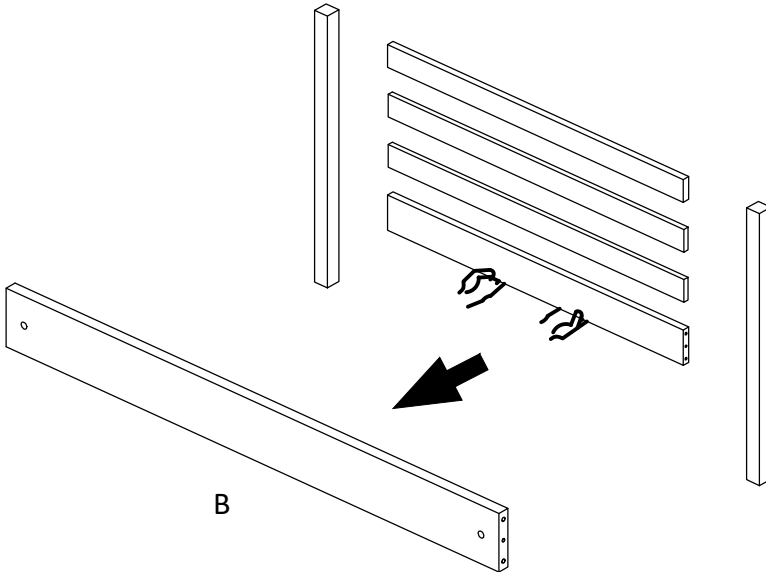


x2

1

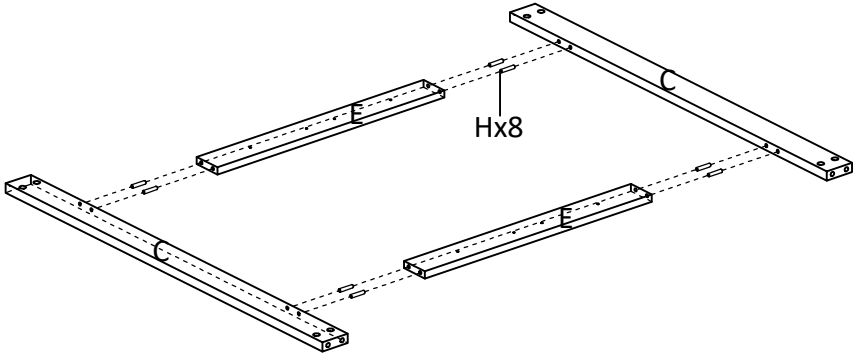


2



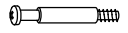
3

Hx8

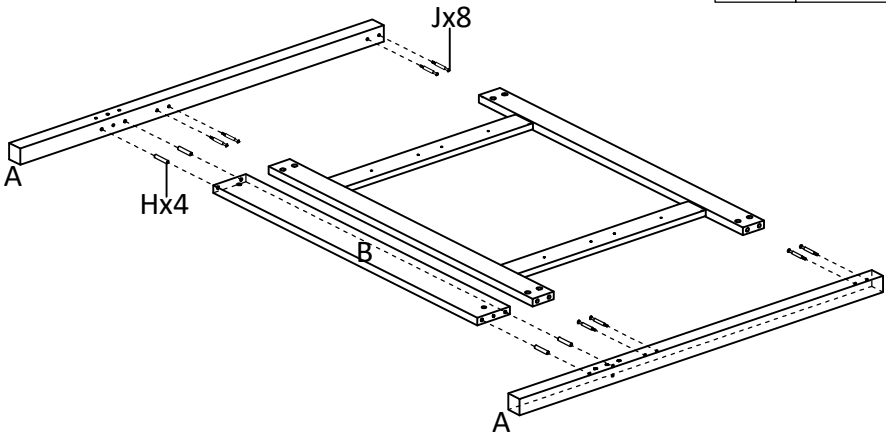


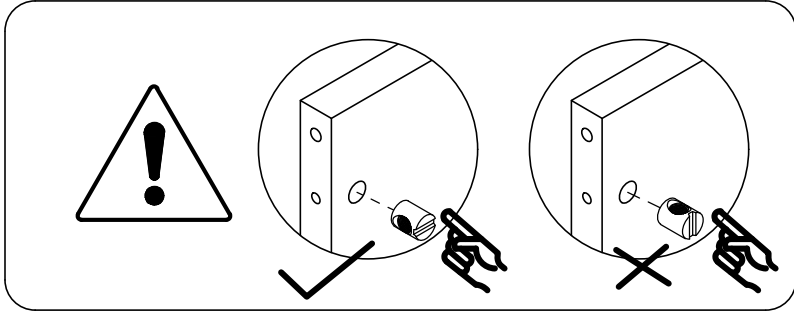
4

Jx8



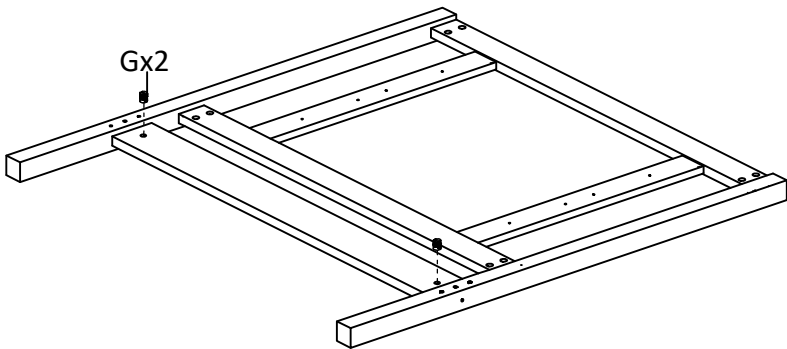
Hx4

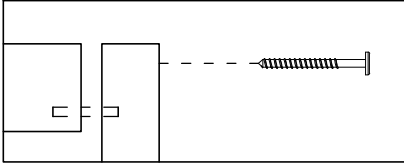




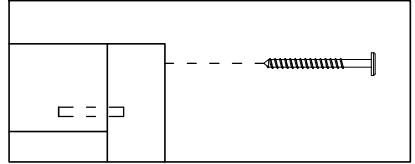
5

Gx2





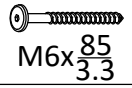
✗



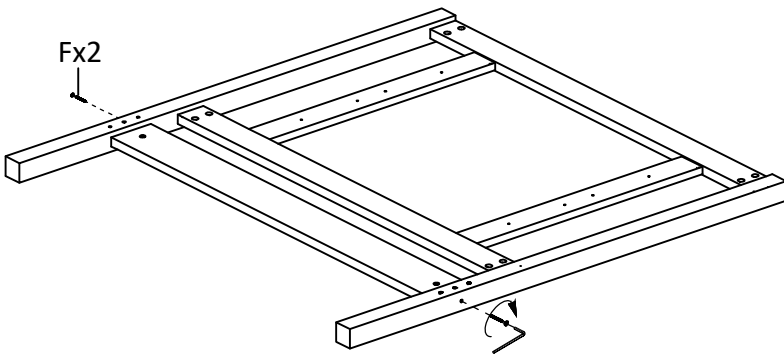
✓

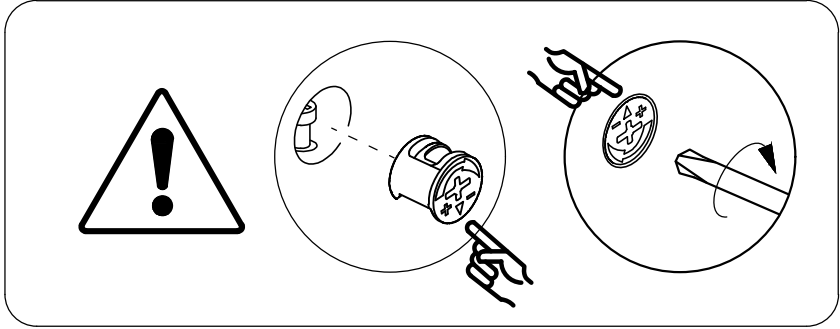
6

Fx2



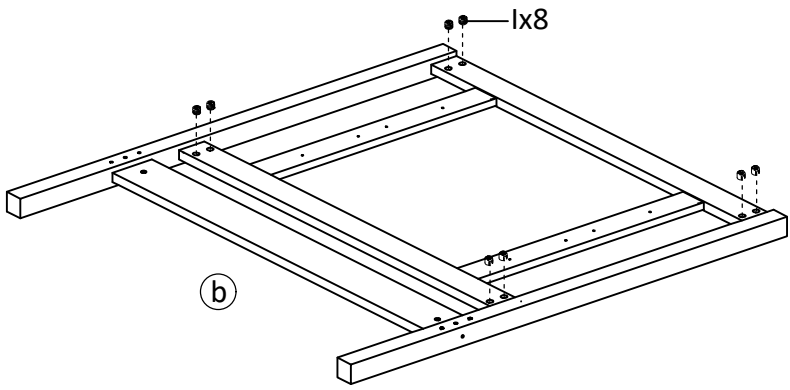
M6x $\frac{85}{3.3}$



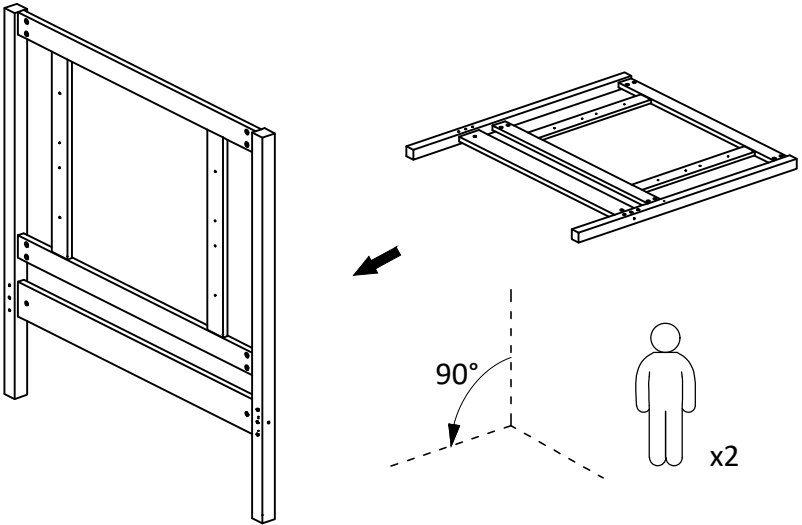


7

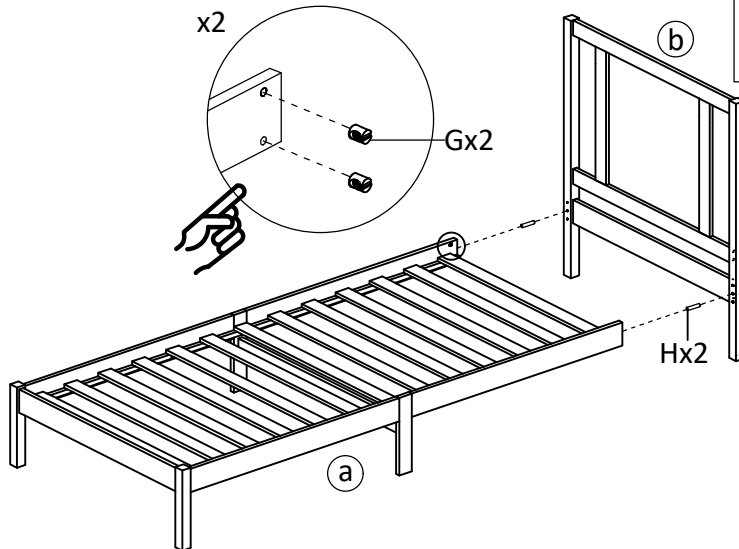
1x8	
-----	---



8

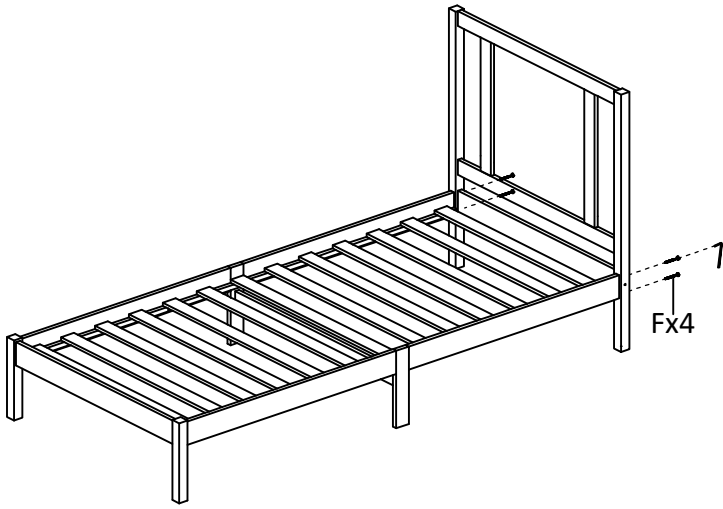
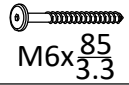


9



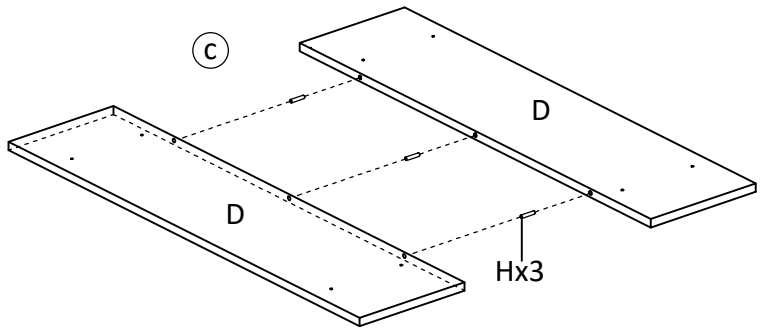
10

Fx4



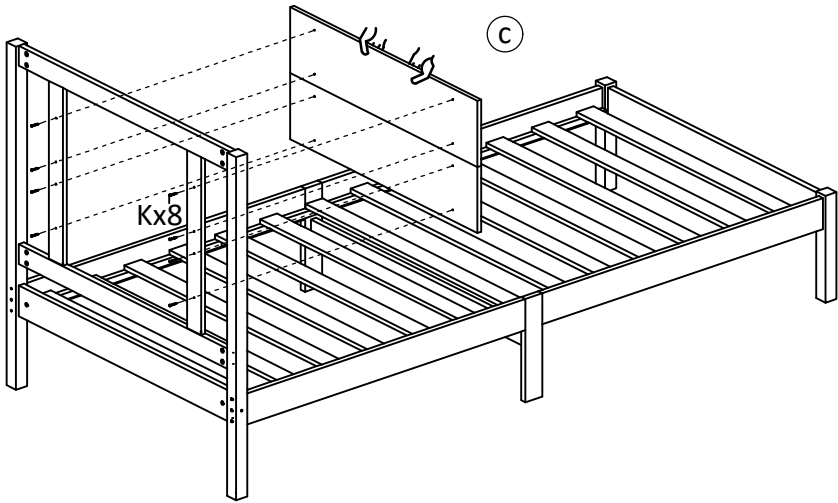
11

Hx3



12

Kx8



13

