



Warnings and Cautions

Please retain this instruction for future usage and read carefully before assembly.

Make sure you have all the parts & hardware as item list shows.

3 adults or more are recommended to install your Sunroom.

Do not discard any of the packaging until you have checked that you have all the parts and pack of fittings.

Check all bolts for tightness before use, and periodically check and tighten bolts ensure your gazebo works properly.

Some parts might have sharp edges/corners/Please follow basic safety precautions to reduce the risk of hurts.

Avoid installing and settling the solarium in a corridor of heavy wind.

Some assembly parts contain sharp edges, you should wear protective gloves when handling these items.

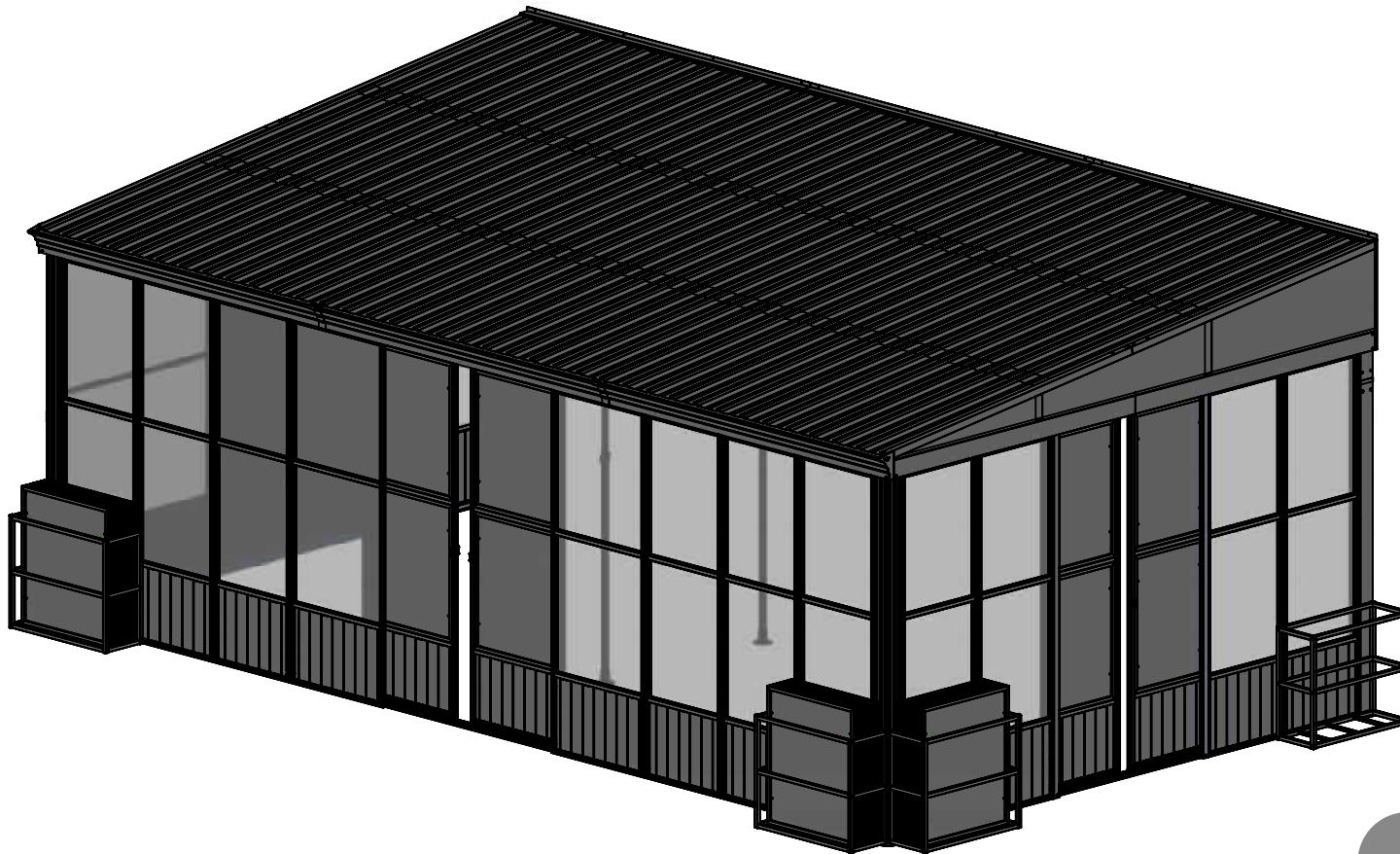
For safety issues you must not leave the unit unattended if it is not completed, even if it is already anchored to the ground.

It is essential to place the gazebo on level ground and not less than **6 feet** from any obstruction such as fences, garages, overhanging branches, laundry lines, or electrical wires.

If you have questions or concerns.

Please contact us via email at service@domioutdoorliving.com

Domi outdoor living



12'x20'

SKU: LGMF1675

Solarium Wall-Mounted
Sunroom

Assembly Manual

*Thank you for your purchase of
Domi outdoor living's Sunroom*

Read and follow this assembly and operation huide.

To reduce personal injury and damage to you Sunroom.

*We recommend a **three-person team** for assembly and disassembly.*

*Please **remove** snow accumulation at all times.*

Please scheduie enough time to complete the assembly of the sunroom.

It will takes approximately 7 hours to set up.

If you like our products,please tell other customers.

If you have problem with our products,please tell us.

Please feel free to contact us.

Domi Outdoor Living  **domi**
outdoor living

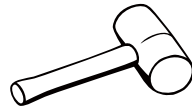
Pre-assembly

TOOLS THAT MAY BE REQUIRED (Not included in boxes)

*NOTE: Tools / equipment are not shown to actual size and scale.



LEVEL



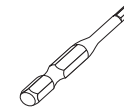
RUBBER Mallet



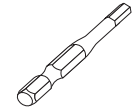
PHILLIPS SCREW



DRILL



ALLEN KEY



ALLEN KEY

EQUIPMENT REQUIRED (Not included in boxes)

*NOTE: Equipment are not shown to actual size and scale.



SAFETY HAT



GLOVES



SAFETY GOGGLES



STEPLADDER

Matters needing attention



1. Three or more people are required for assembly.



2. Do not fully tighten screws prior to complete assembly.

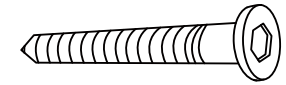
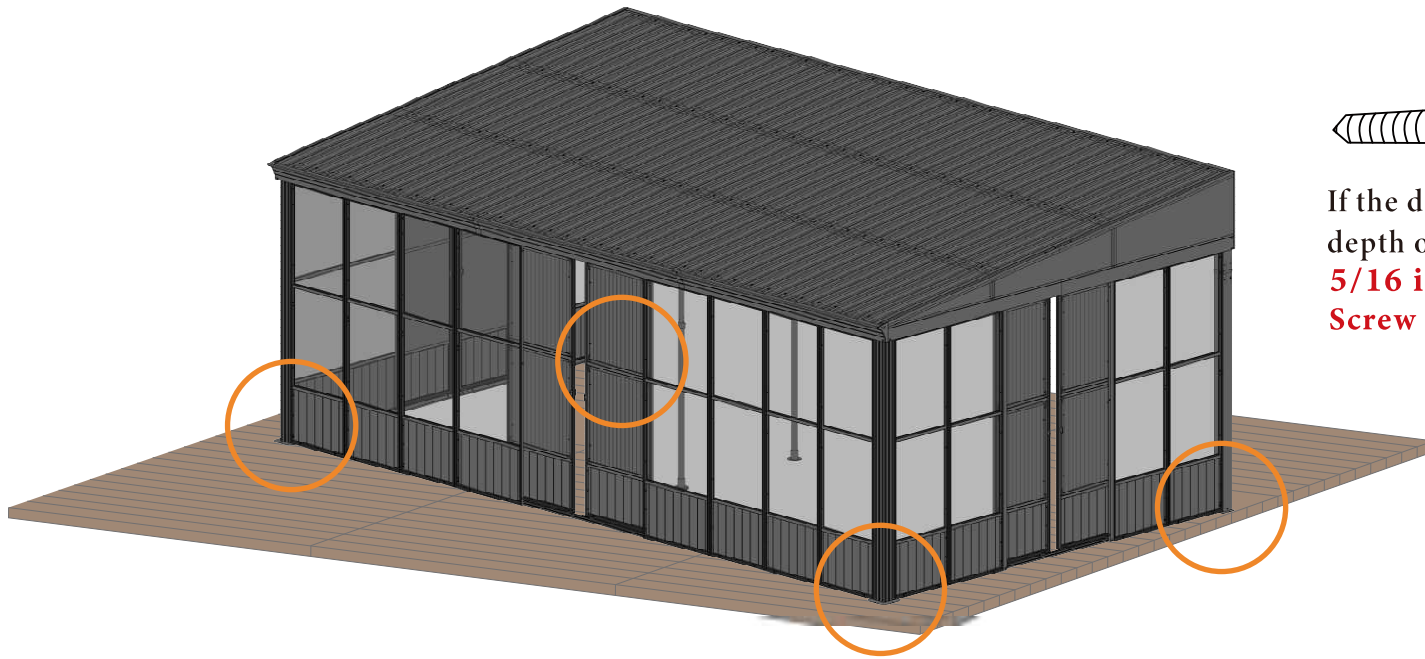
Regulation

IMPORTANT: A sunroom may entail to purchase a municipal permit or be subject to specific building codes. It is the consumer's responsibility to inform themselves of any restrictions.

Care and Cleaning:

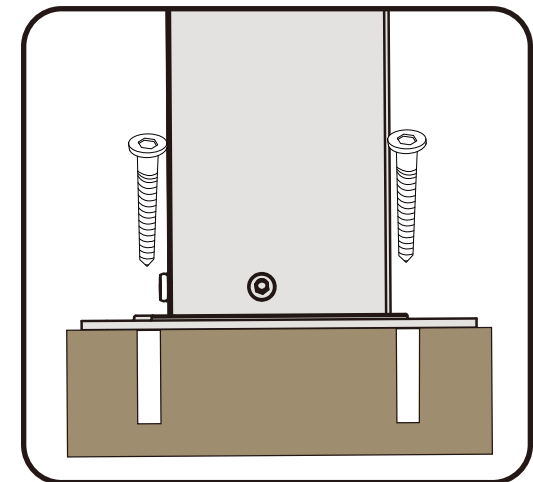
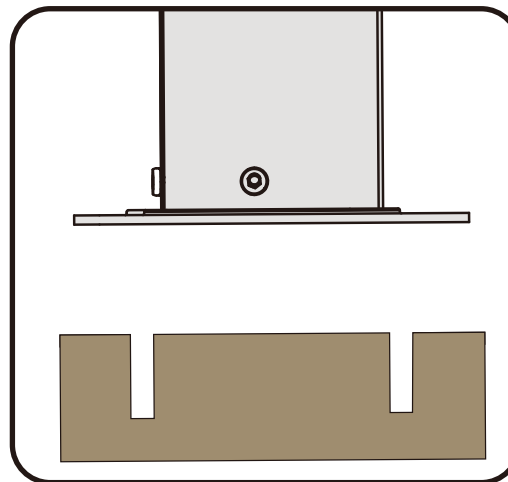
For cleaning, use a domestic soap or detergent and wash with warm water using a sponge or fabric. Rinse with clean water.

1

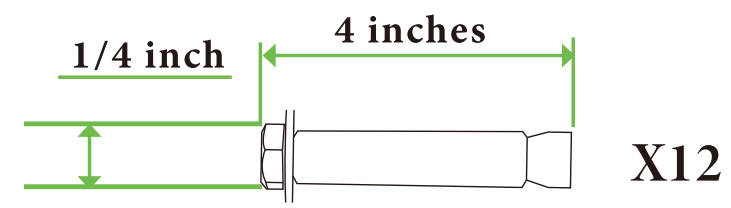
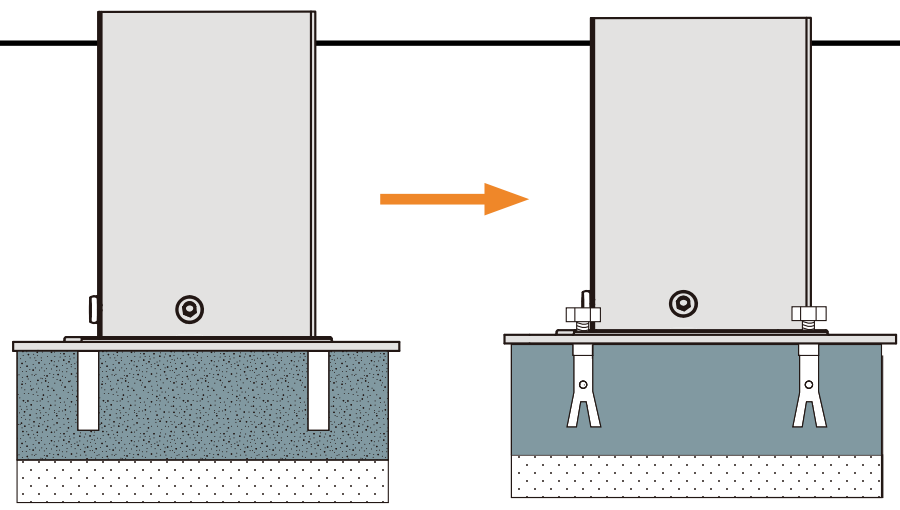


X12

If the deck is herd wood and the depth of it is over 3 inch, you can use **5/16 in.x4 in. Structural Wood Screw**

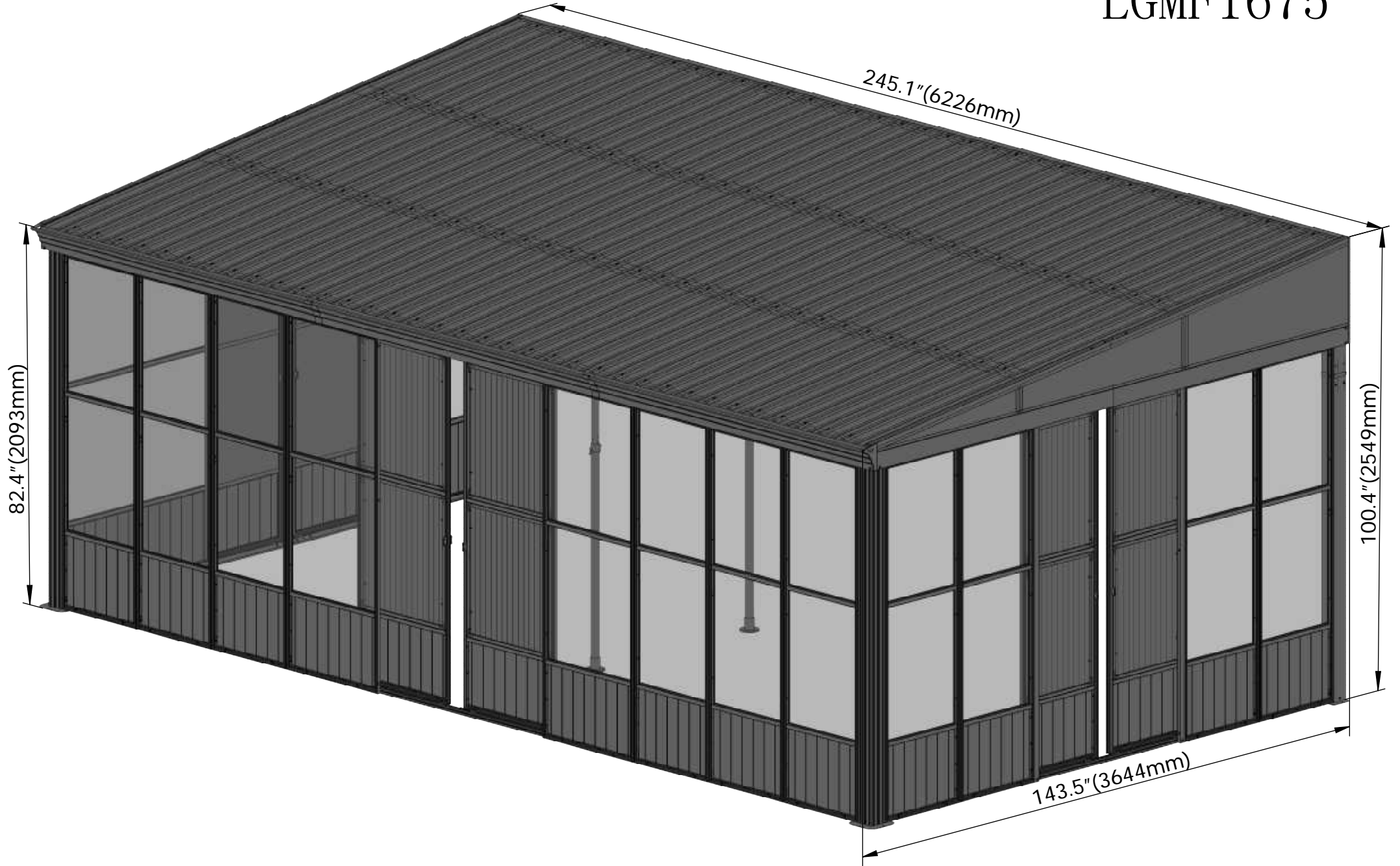


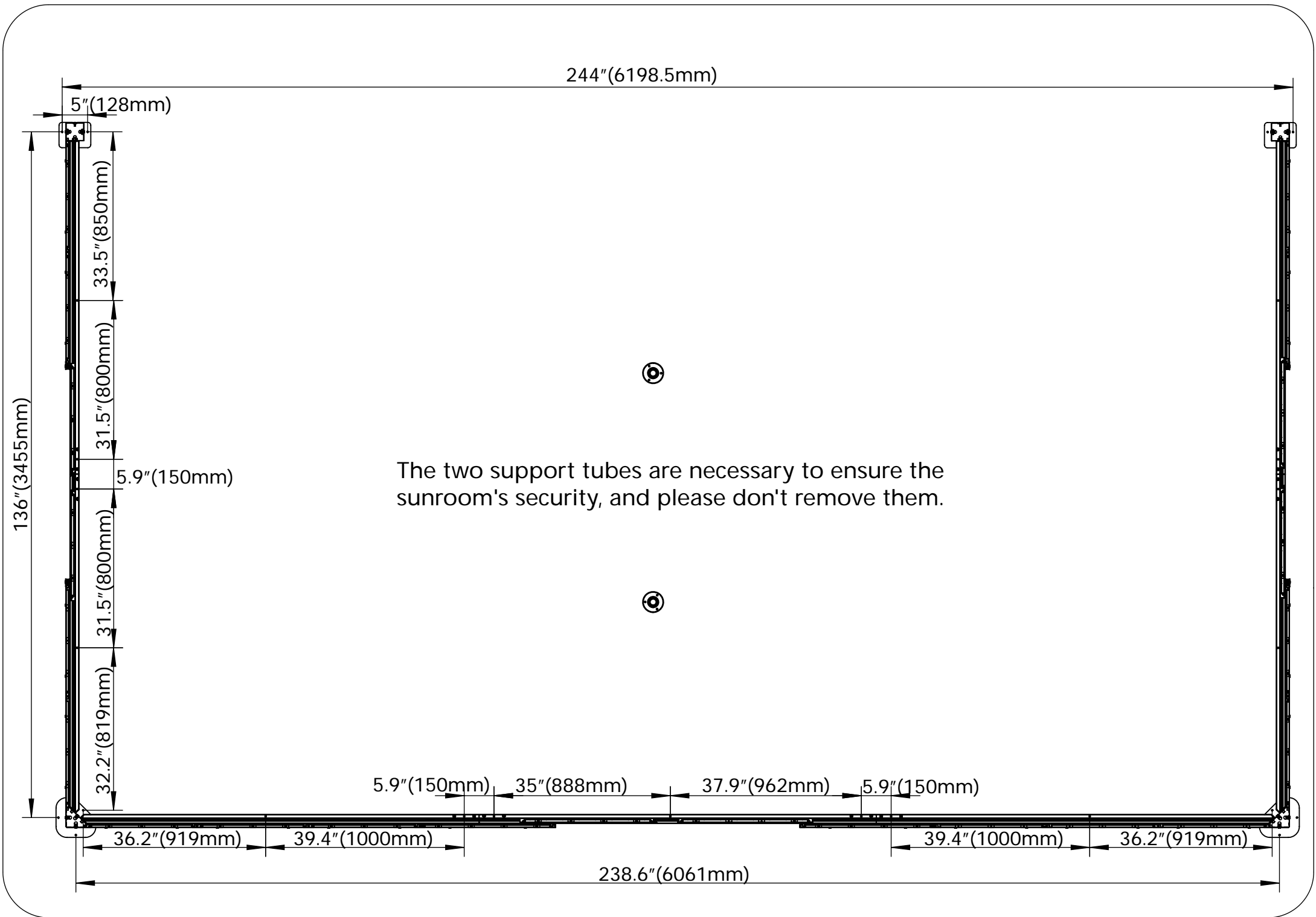
2



If the ground is concreted and the depth of it is over 3 inch, you can use 1/4 inch expansion bolts to mount the pergola

LGMF1675





244" (6198.5mm)

5" (128mm)

136" (3455mm)

33.5" (850mm)

31.5" (800mm)

5.9" (150mm)

31.5" (800mm)

32.2" (819mm)

5.9" (150mm)

35" (888mm)

37.9" (962mm)

5.9" (150mm)

36.2" (919mm)

39.4" (1000mm)

39.4" (1000mm)

36.2" (919mm)

238.6" (6061mm)

The two support tubes are necessary to ensure the sunroom's security, and please don't remove them.



A1 1X



A2 1X



A3 1X



A4 1X



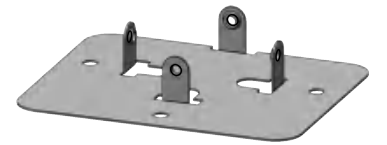
A5 1X



A6 1X



A7 2X



A8 2X



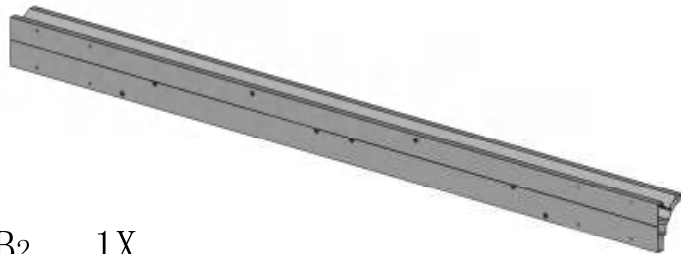
A9 2X



A10 4X



B1 1X



B2 1X



B3 1X



B4 2X



B5 1X



B₆ 1X



B₇ 6X



B₈ 2X



B₉ 4X



B₁₀ 4X



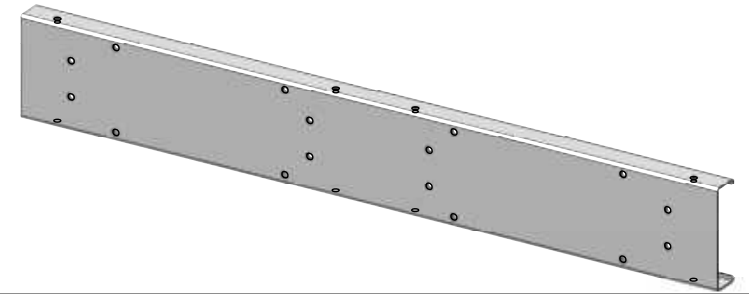
B₁₁ 4X



C₁ 1X



C₂ 1X



C₃ 8X



C₄ 1X



C₅ 1X



C₆ 2X



C₇ 2X



D₁ 1X



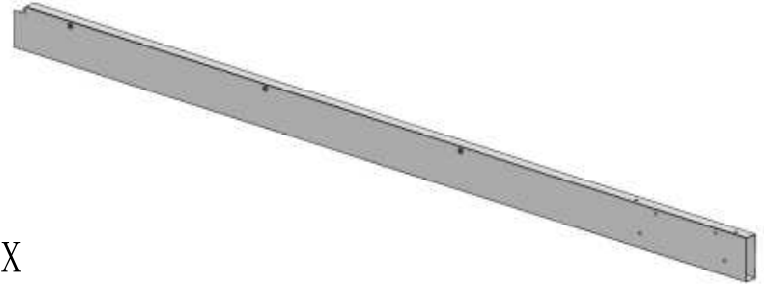
D₂ 1X



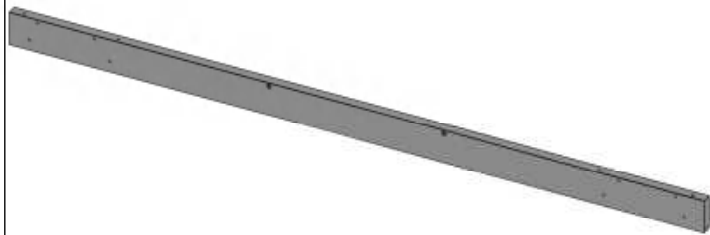
D₃ 1X



D₄ 1X



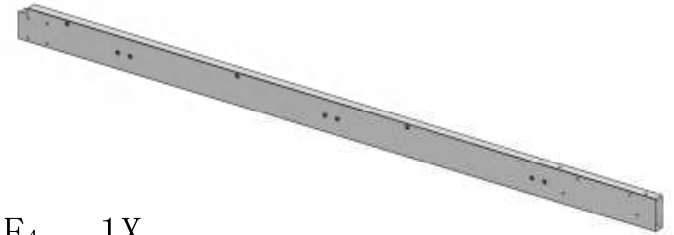
E₁ 2X



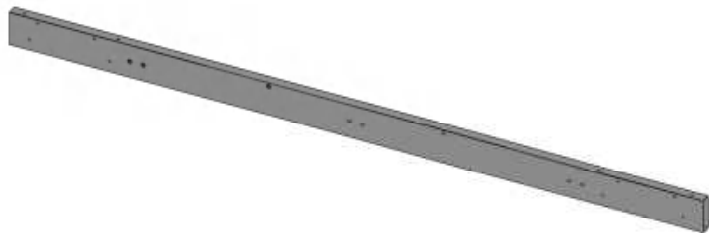
E₂ 2X



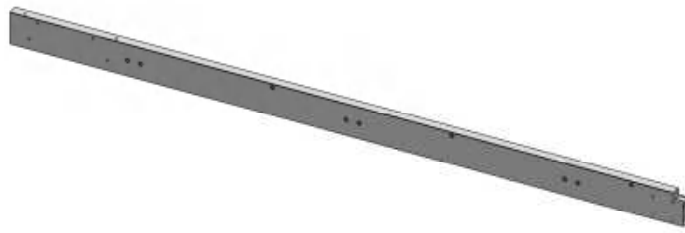
E₃ 2X



E₄ 1X



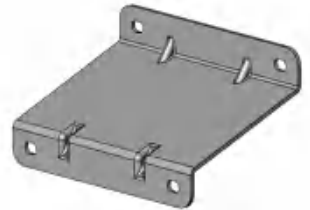
E₅ 1X



E₆ 1X



E₇ 9X



E₈ 2X



F₁ 1X



F₂ 1X



F₃ 2X



F₄ 1X



F₅ 1X



G₁ 1X



G₂ 1X



H₁ 1X



H₂ 1X



H₃ 1X



H₄ 3X



I₁ 2X



I₂ 6X



J₁ 1X



J₂ 1X

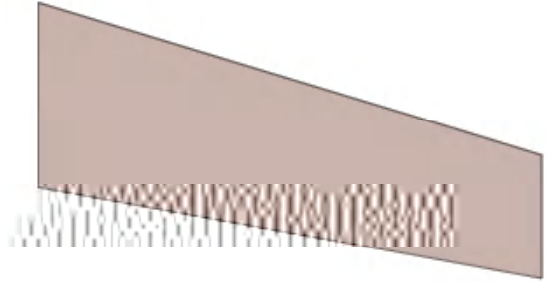
J₃ 1X



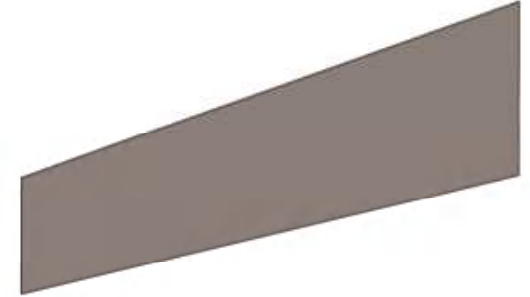
J₄ 1X



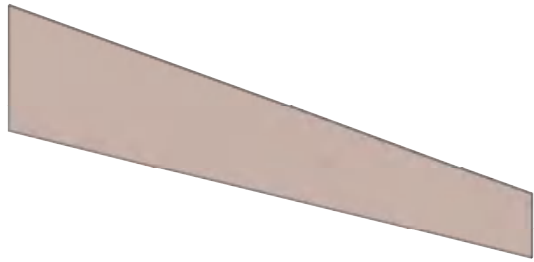
J₅ 1X



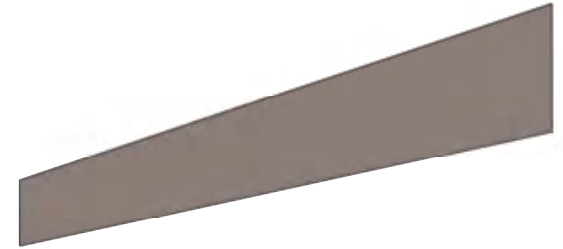
J₆ 1X



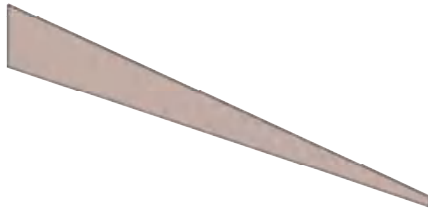
J₇ 1X



J₈ 1X



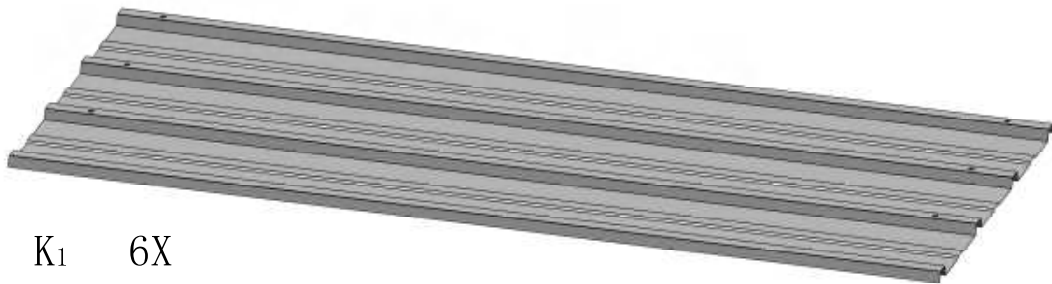
J₉ 1X



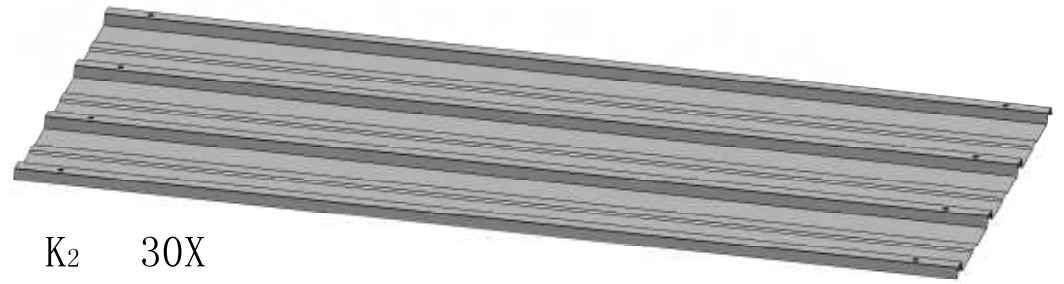
J₁₀ 1X



K₁ 6X



K₂ 30X





K₃ 140X **black rubber**



K₄ 12X



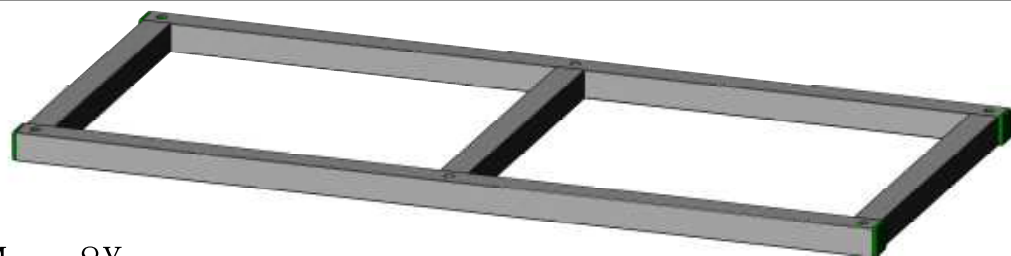
L₁ 2X



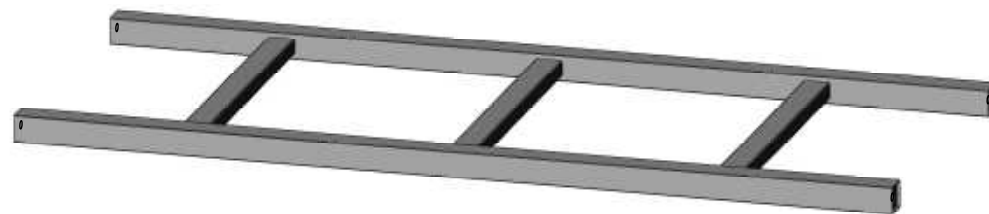
L₂ 2X



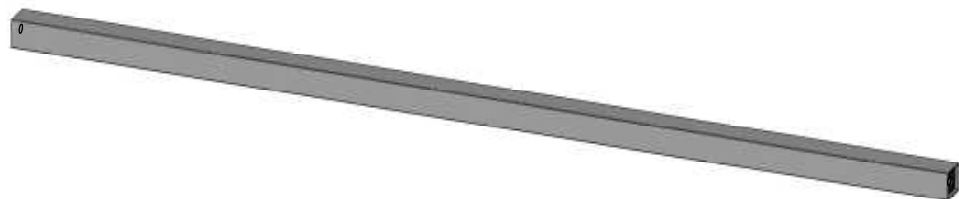
L₃ 2X



M₁ 8X



M₂ 4X



M₃ 16X



N₁ 1X



N₂ 1X



N₃ 1X



N₄ 4X



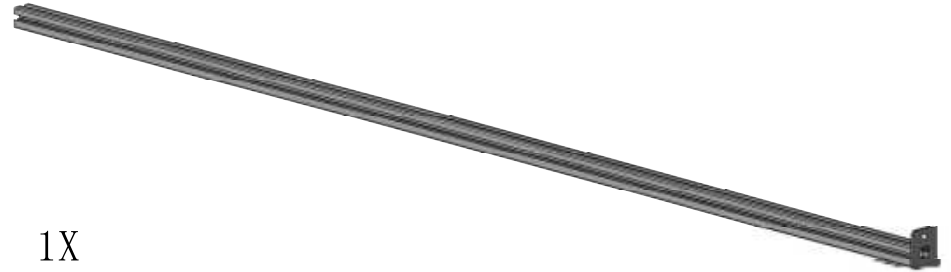
N₅ 1X



N₆ 1X



N₇ 1X



N₈ 1X



O₁ 7X



O₂ 7X



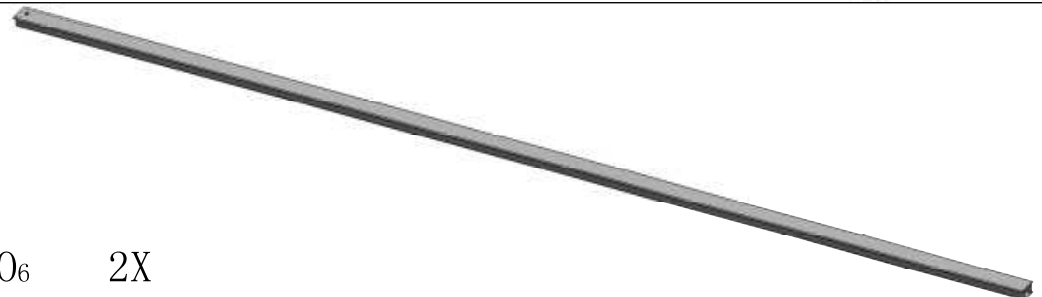
O₃ 1X



O₄ 1X



O₅ 2X



O₆ 2X



P1 1X



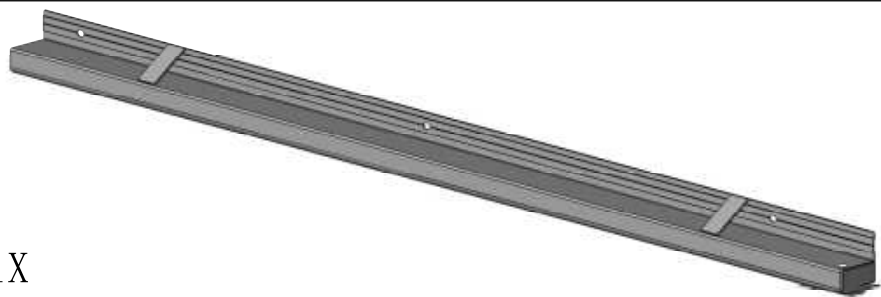
P2 1X



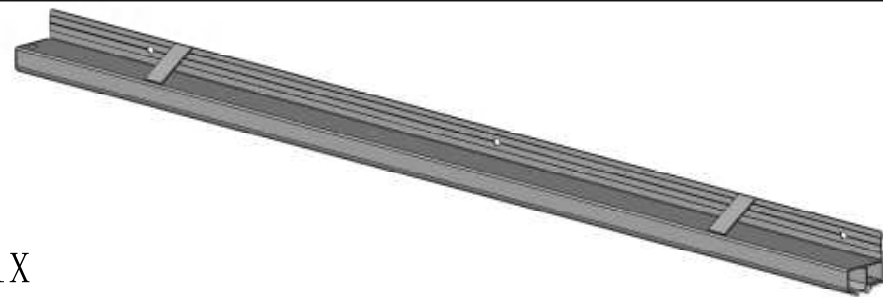
P3 2X



P4 2X



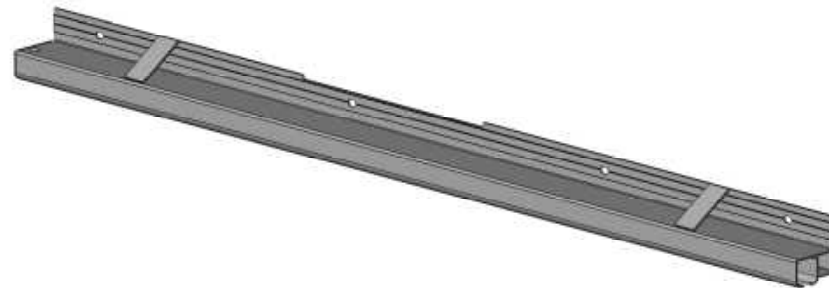
Q1 1X



Q2 1X


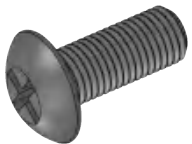






Q3 2X



Q4 2X

 1# 10 ST4. 8*13	 2# 18 M5*12	 3# 48 M6*30
 4# 365 M6*16	 5# 176 M6*28	 6# 20 M6*40
 7# 2	 8# 6	 9# 20 ST6*70
 10# 20	 11# 140 M6	 12# 2 M8*60
 13# 2 M8	 14# 2 M8	 15# 2 silicone sealant

<p>16# 48 M6*30</p> 	<p>17# 48</p> 	<p>18# 24</p> 
<p>19# 24 M4*10</p> 	<p>20# 12 M4</p> 	<p>21# 36 metal square nuts M6</p> 
<p>22# 6</p> 	<p>23# 1 S4</p> 	<p>24# 1 S5</p> 
<p>25# 1 S13</p> 	<p>26# 140 D12/d6. 2*H2</p> <p>rubber gasket</p> 	



A1 1X



A2 1X

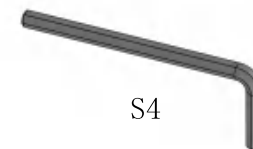


A7 2X



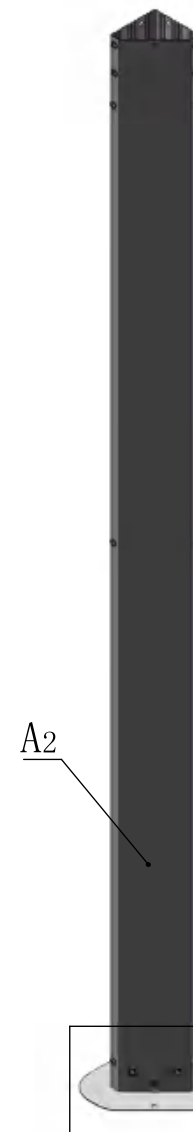
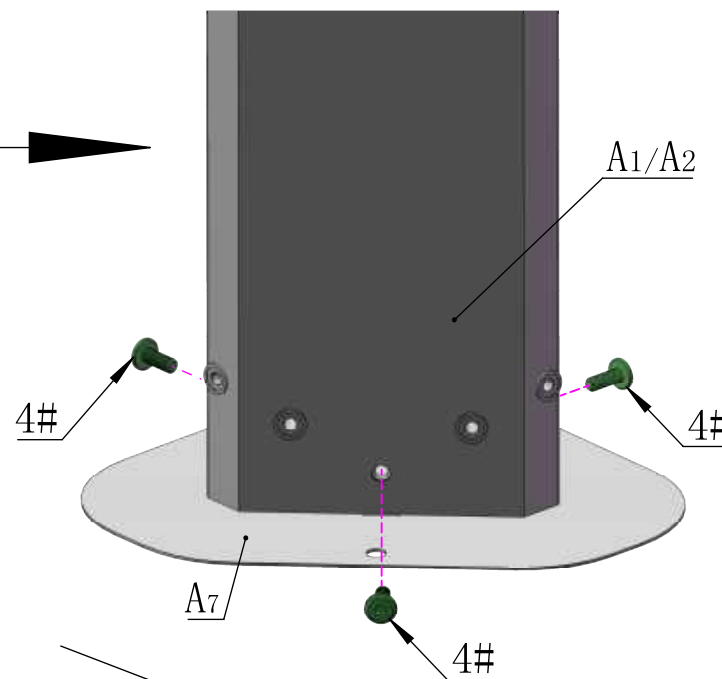
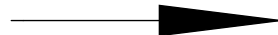
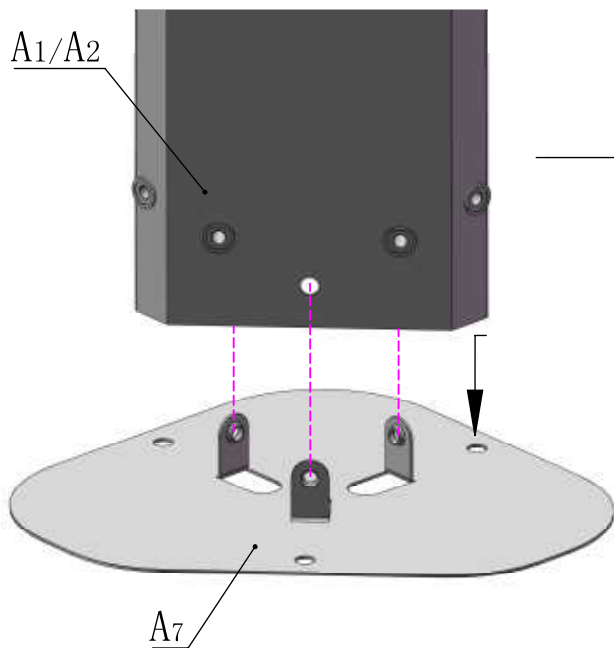
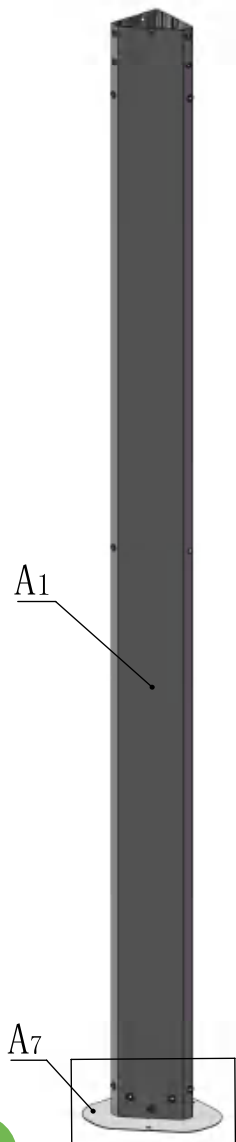
M6*16

4# 6X



S4

23# 1X





A3 1X



A4 1X

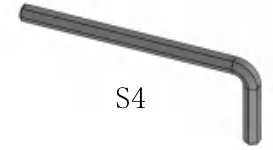


A8 2X



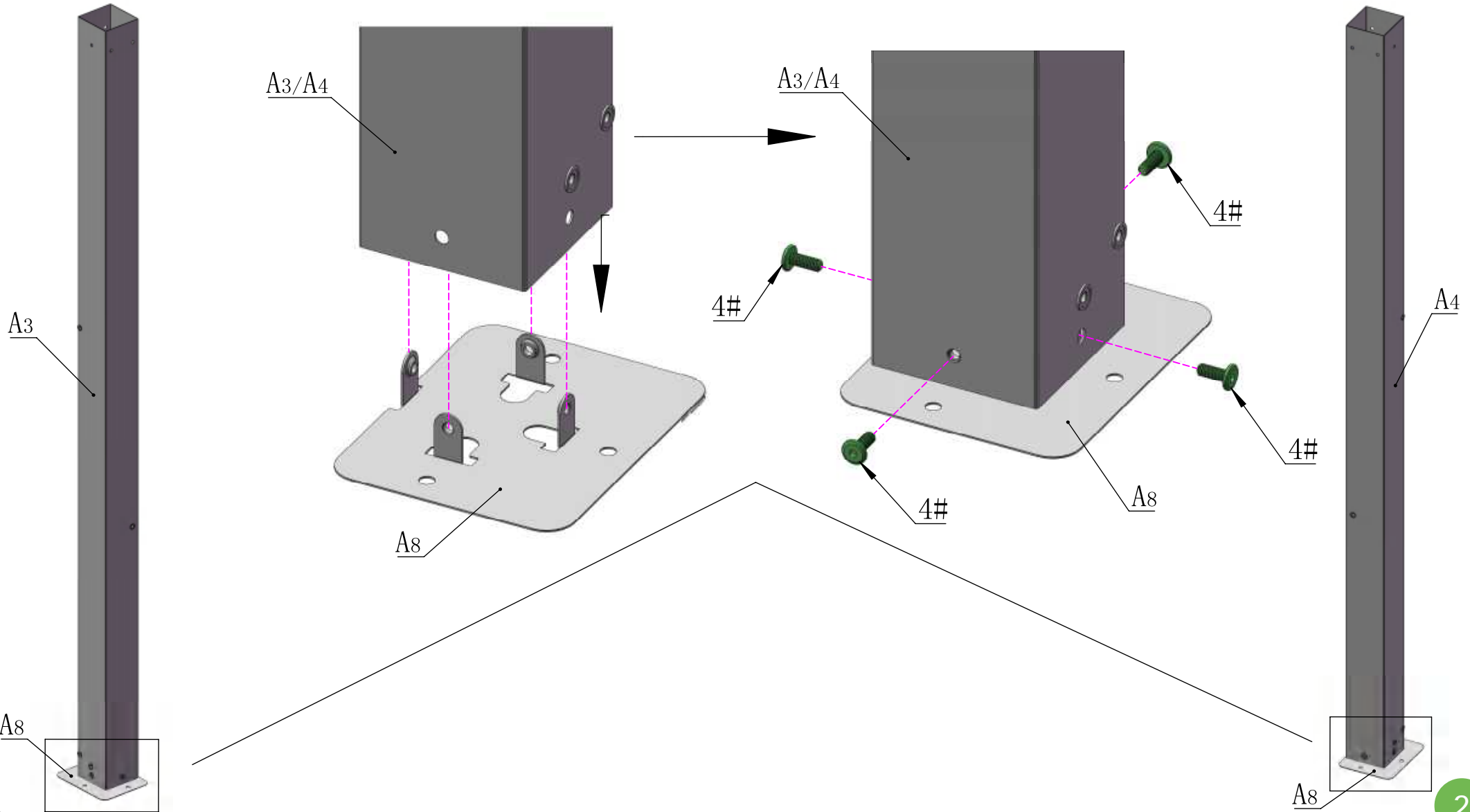
4# 8X

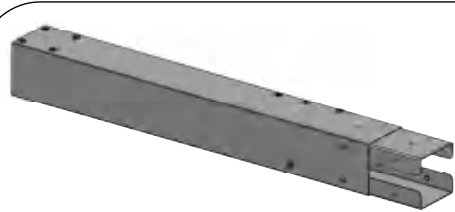
M6*16



23# 1X

S4





A5 1X



A6 1X

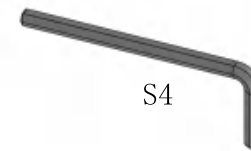


A9 2X



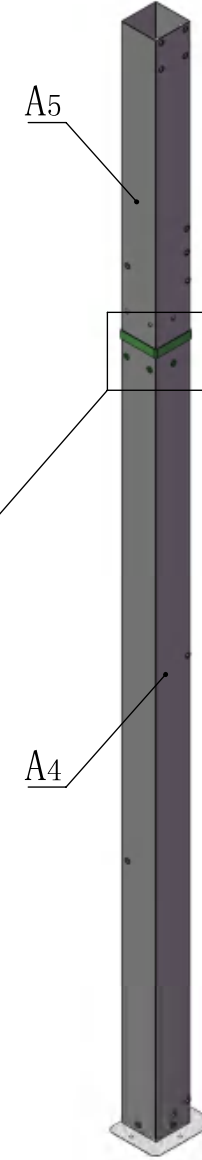
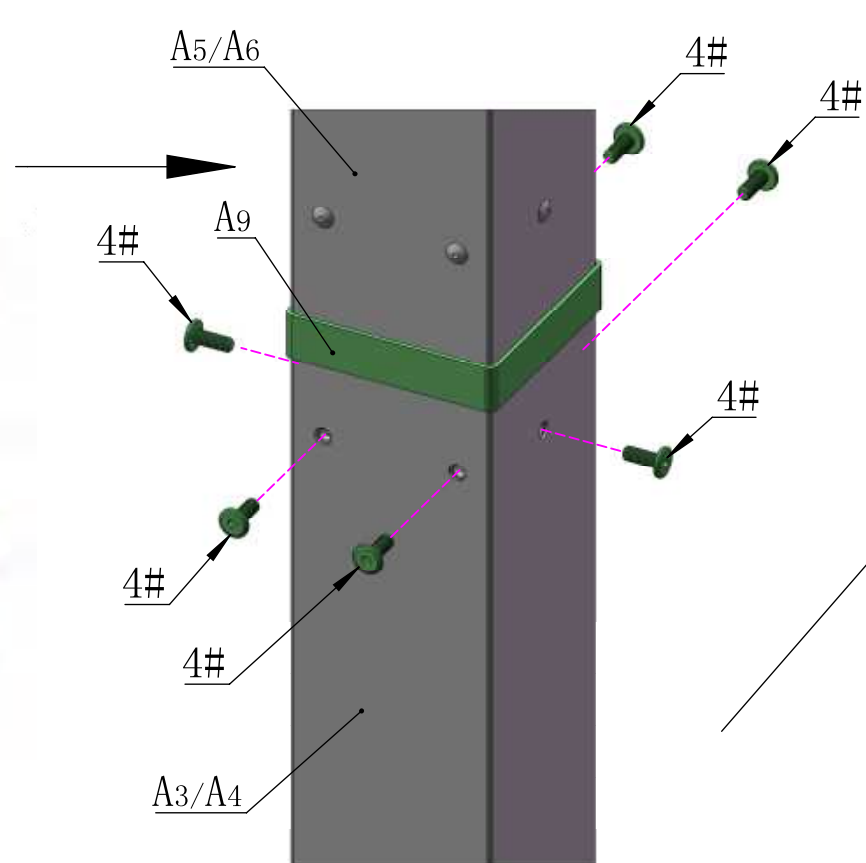
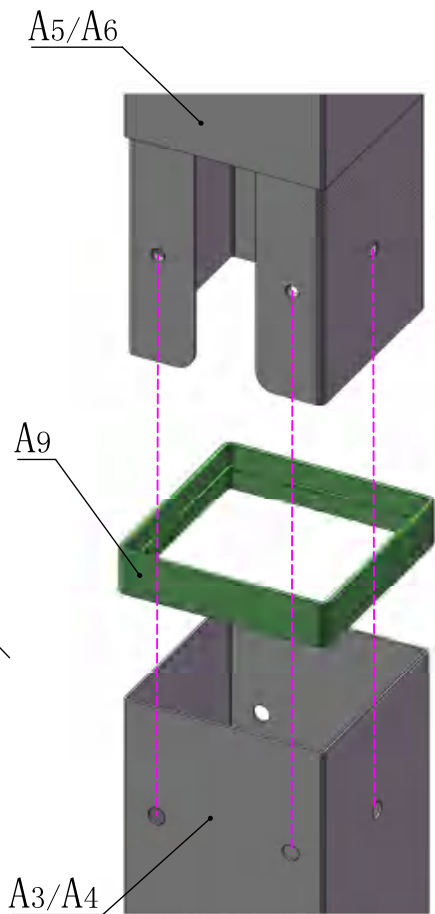
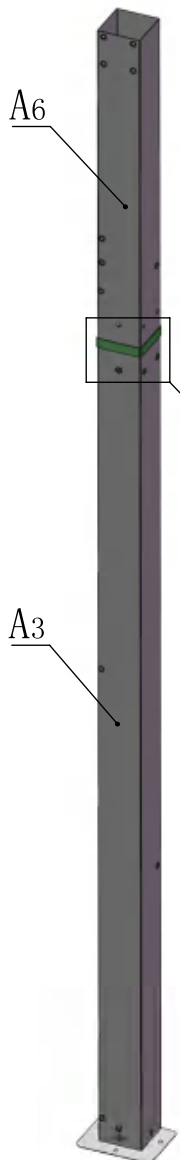
4# 12X

M6*16



23# 1X

S4



Make sure the correct connection:
A3 and A6 connected ,A4 and A5 connected.

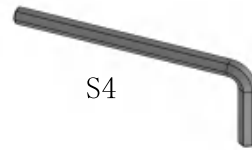


A10 4X



M6*16

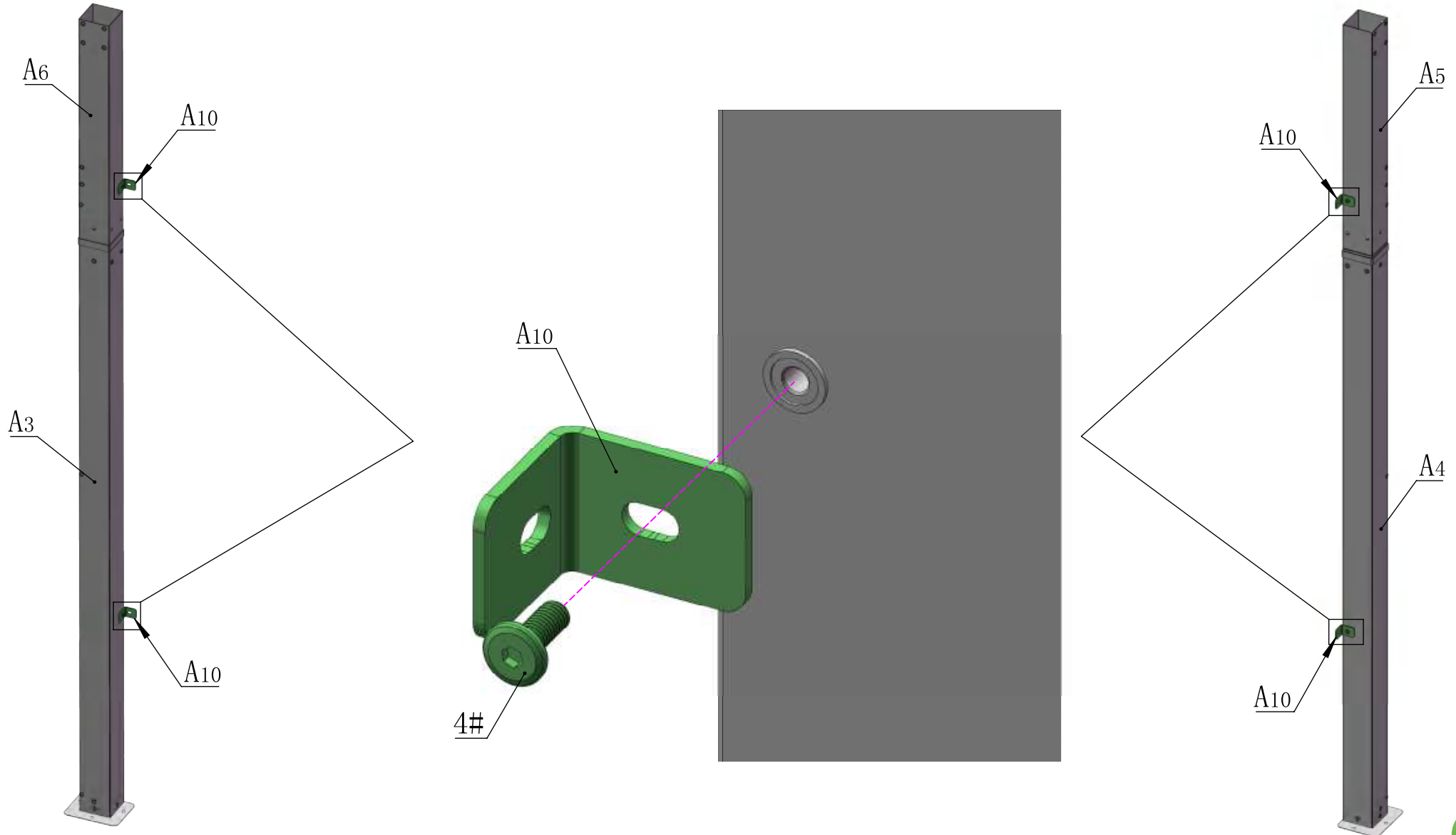
4# 4X



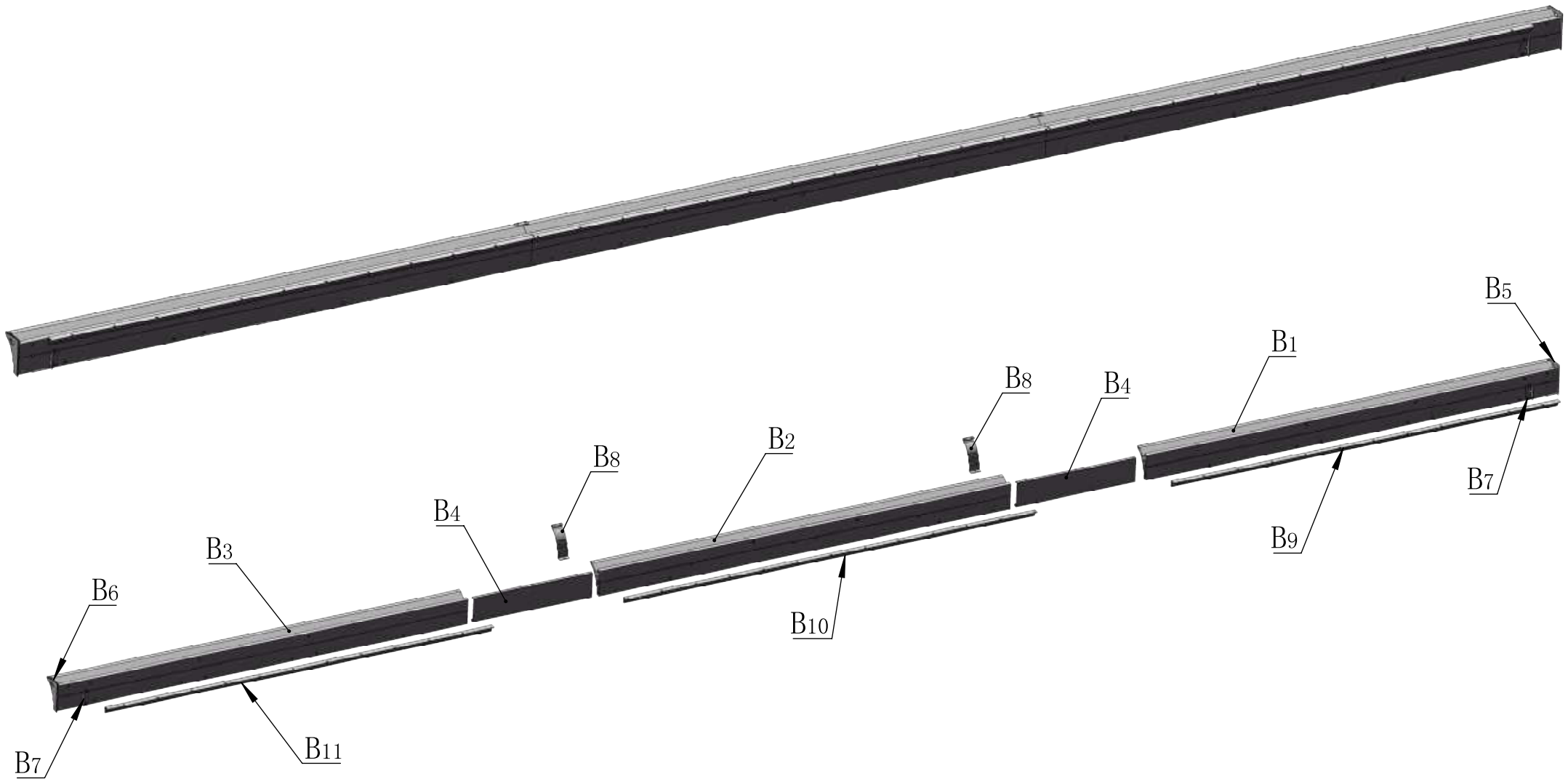
S4

23# 1X

The bracket #A10 is used to fix the post against the wall.
If you don't need it fixed, please retain for future use and skip this step.



Front Beam Assembly





B1 1X

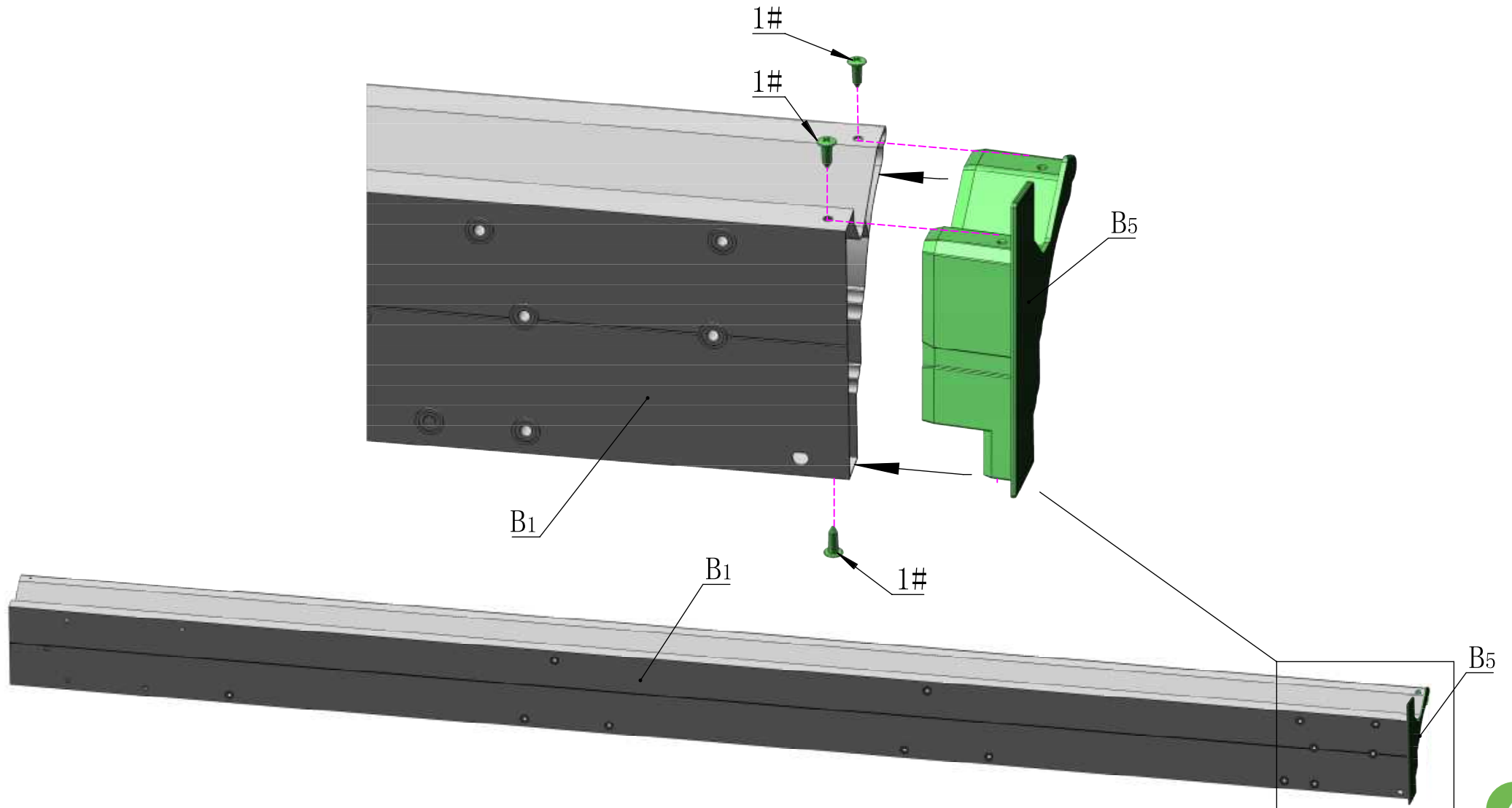


B5 1X



ST4. 8*13

1# 3X



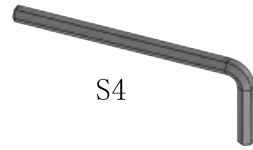


B7 1X



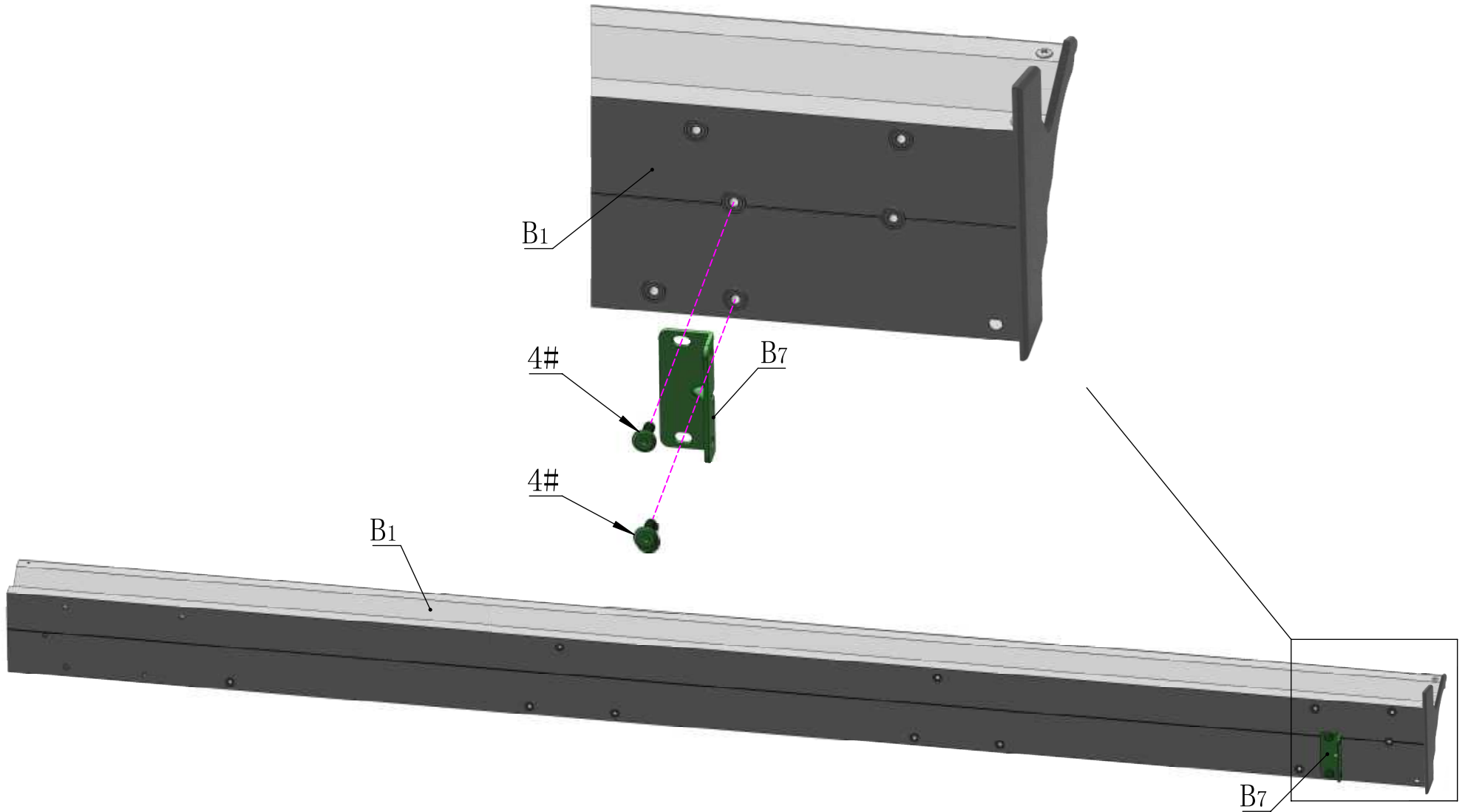
M6*16

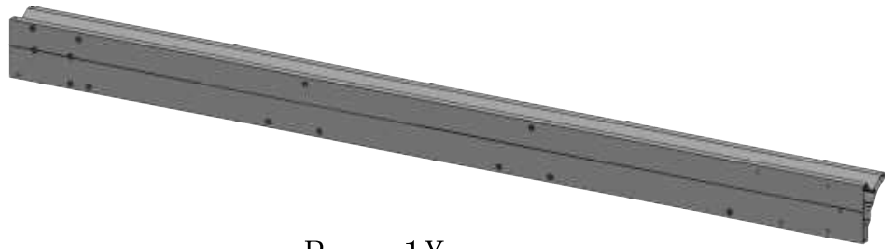
4# 2X



S4

23# 1X





B3 1X

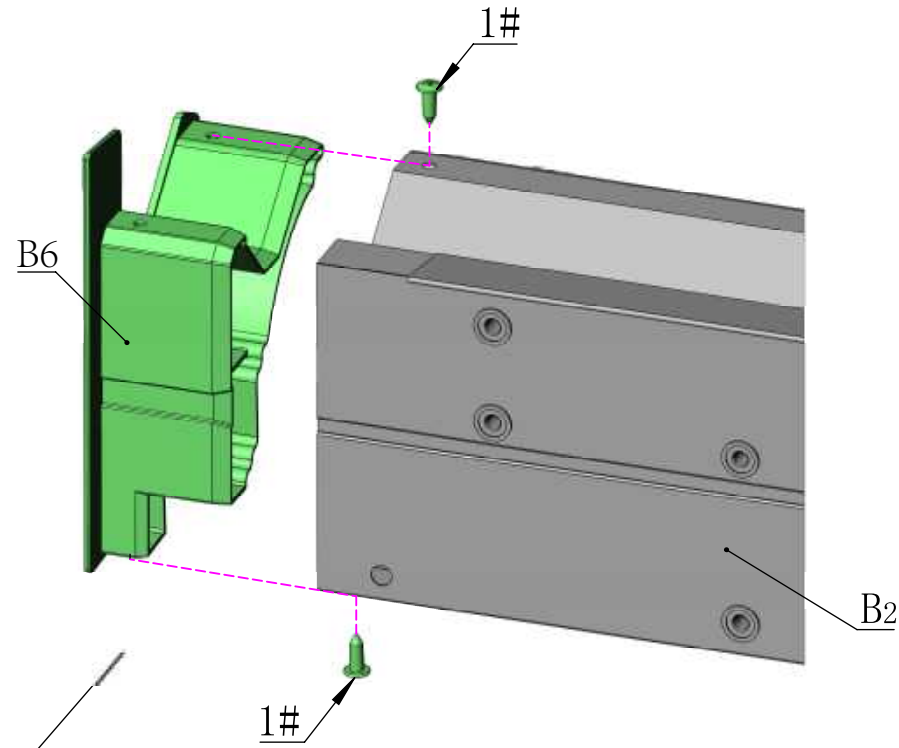


B6 1X



ST4.8*13

1# 3X



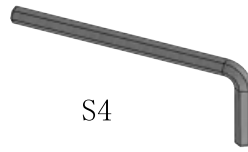


B7 1X



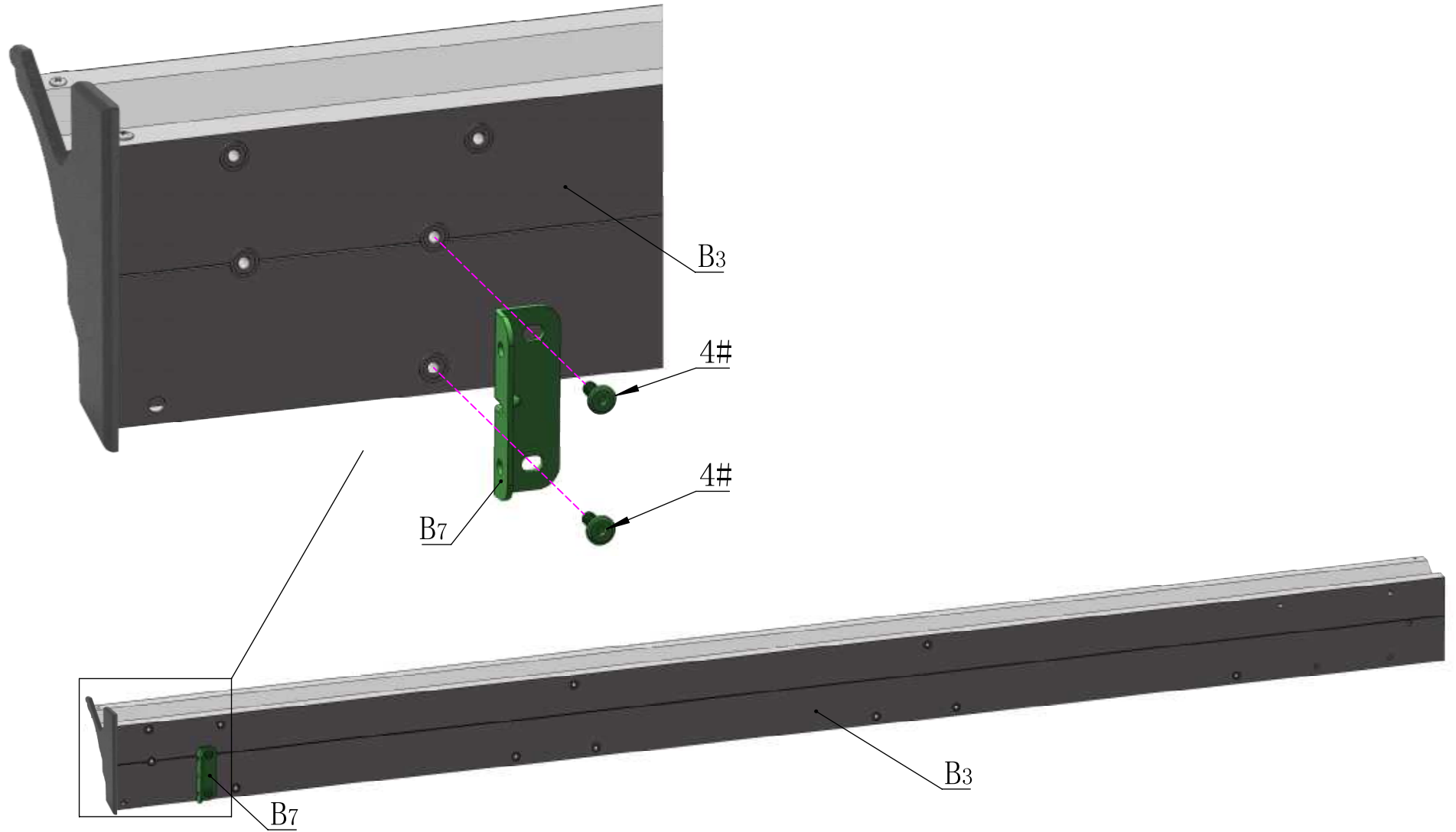
M6*16

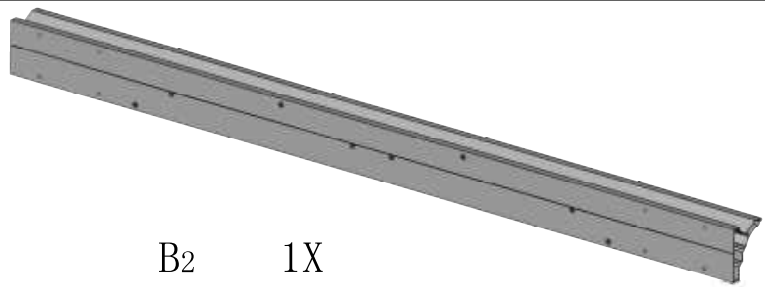
4# 2X



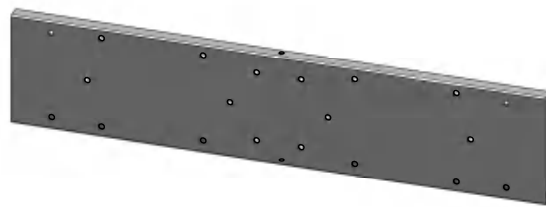
S4

23# 1X





B2 1X

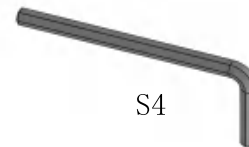


B4 2X



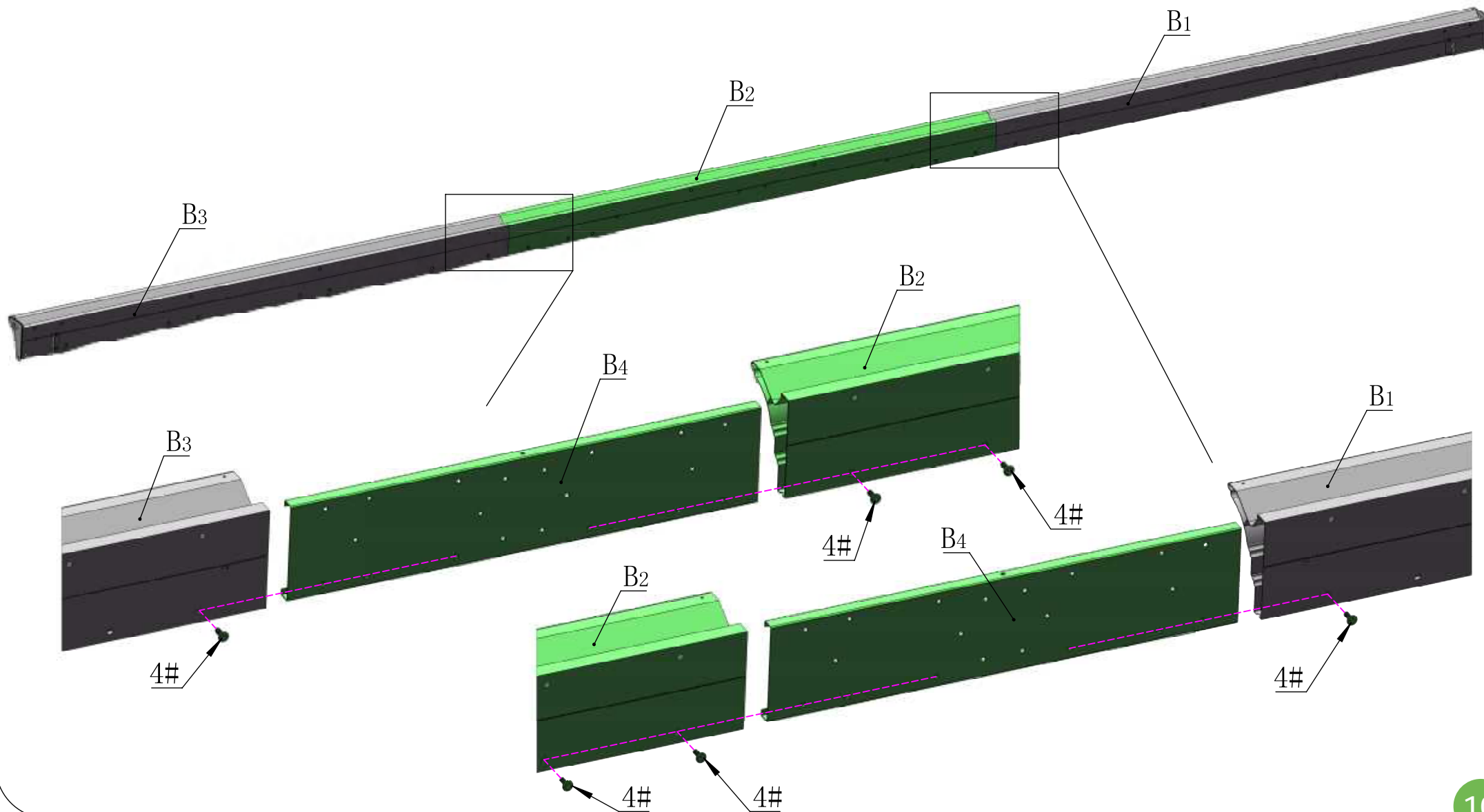
M6*16

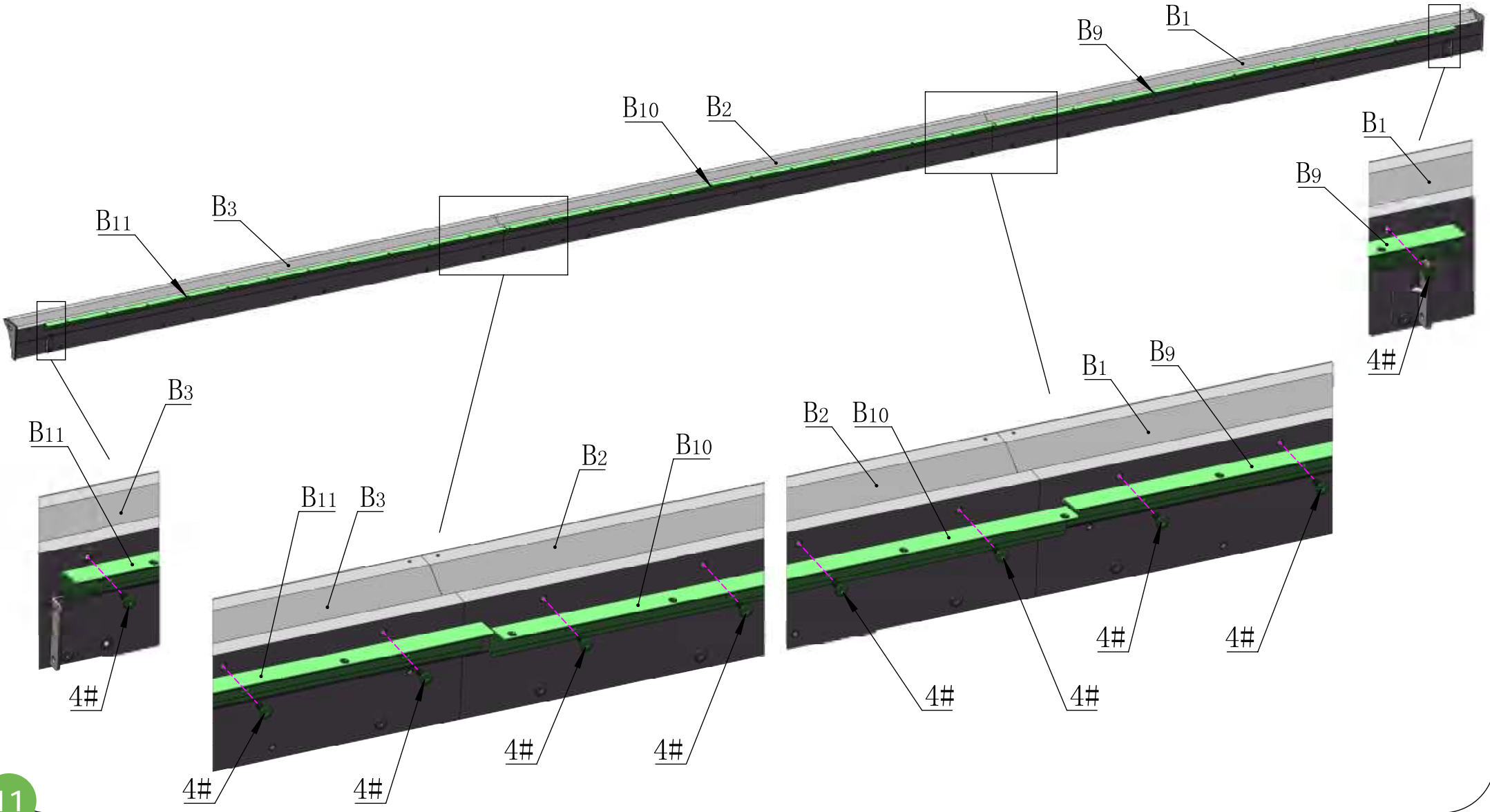
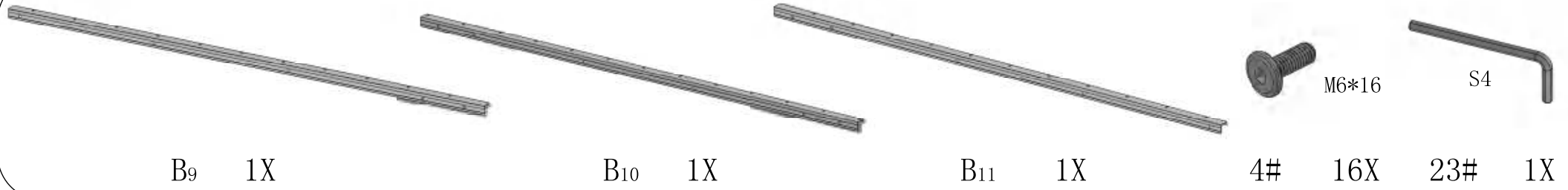
4# 6X



S4

23# 1X

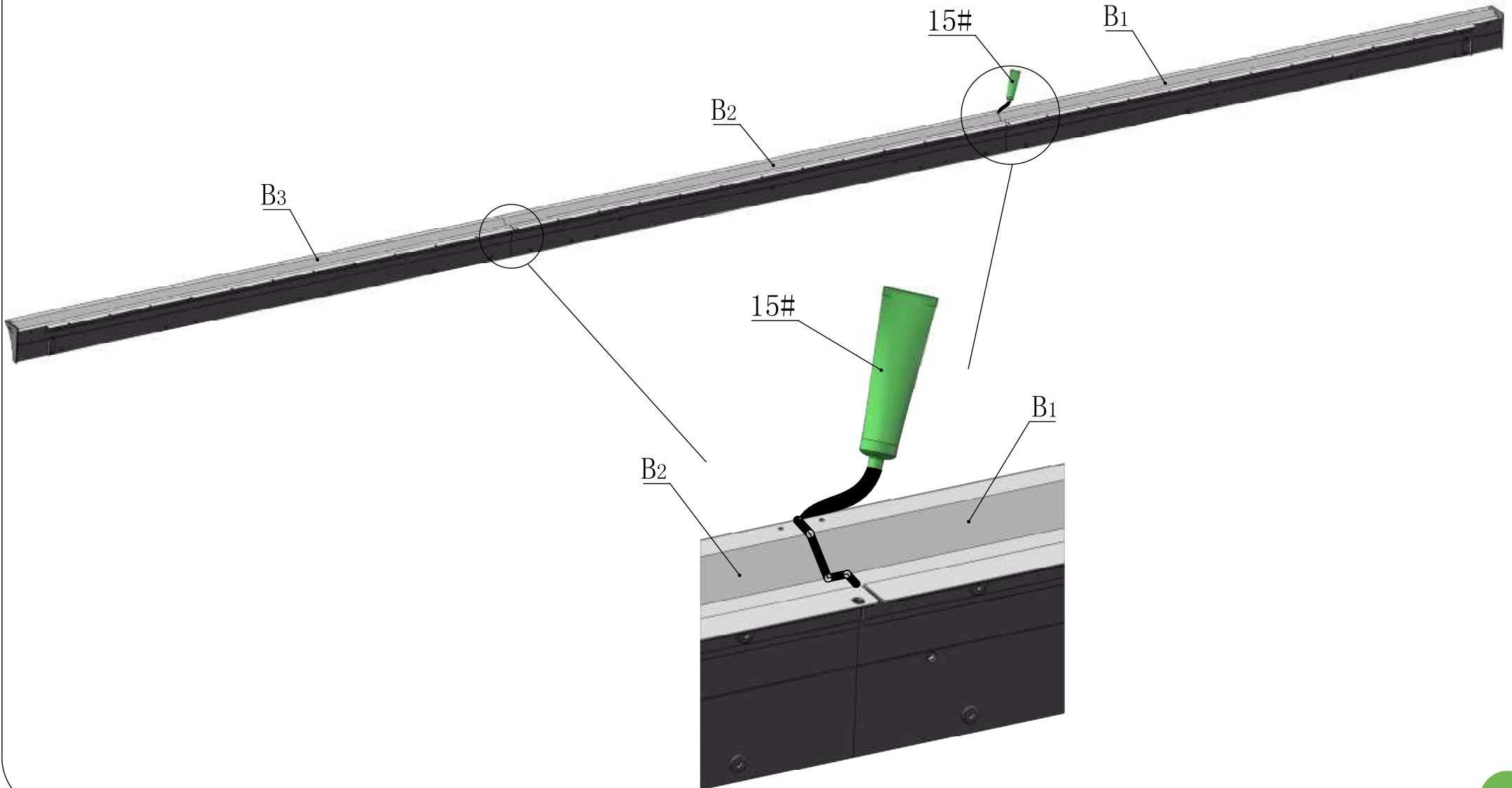






Use silicone sealant (part # 15) to affix the gap between the connected beams.

15# 1X





B8 2X



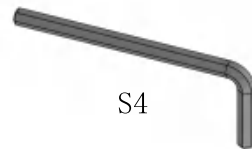
ST4.8*13

1# 4X



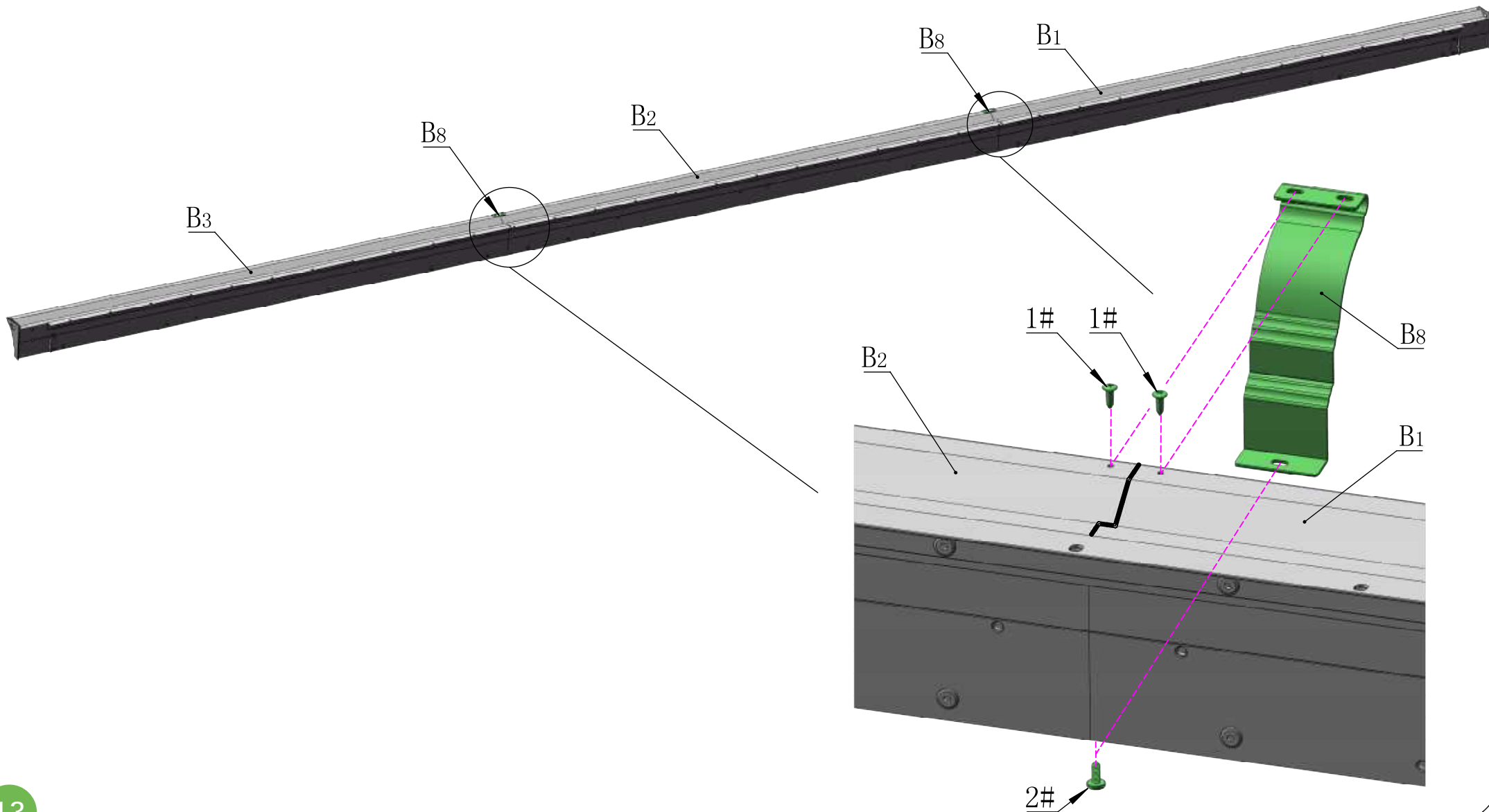
M5*12

2# 2X

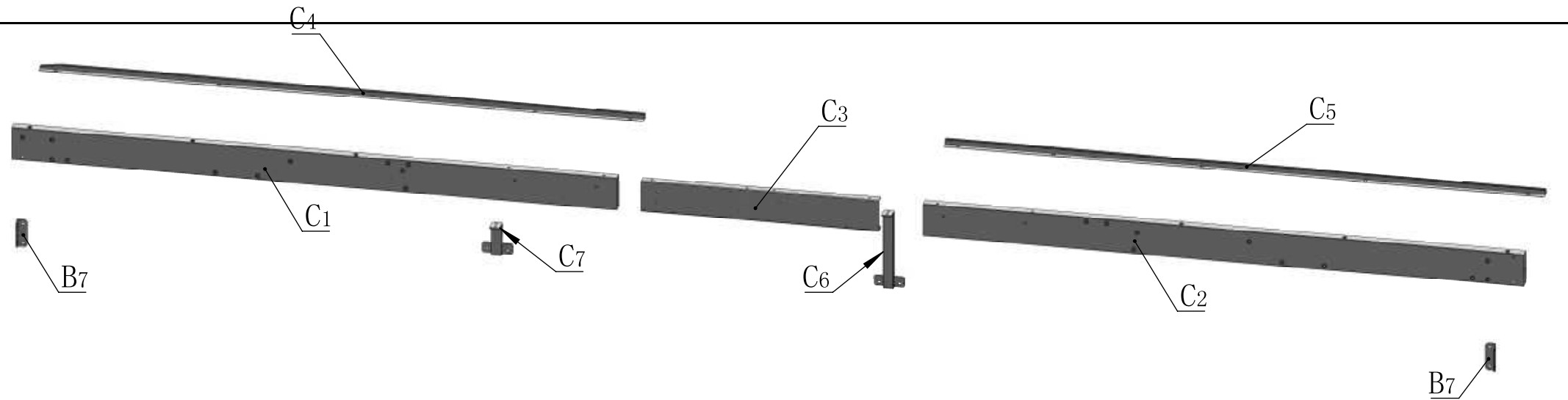


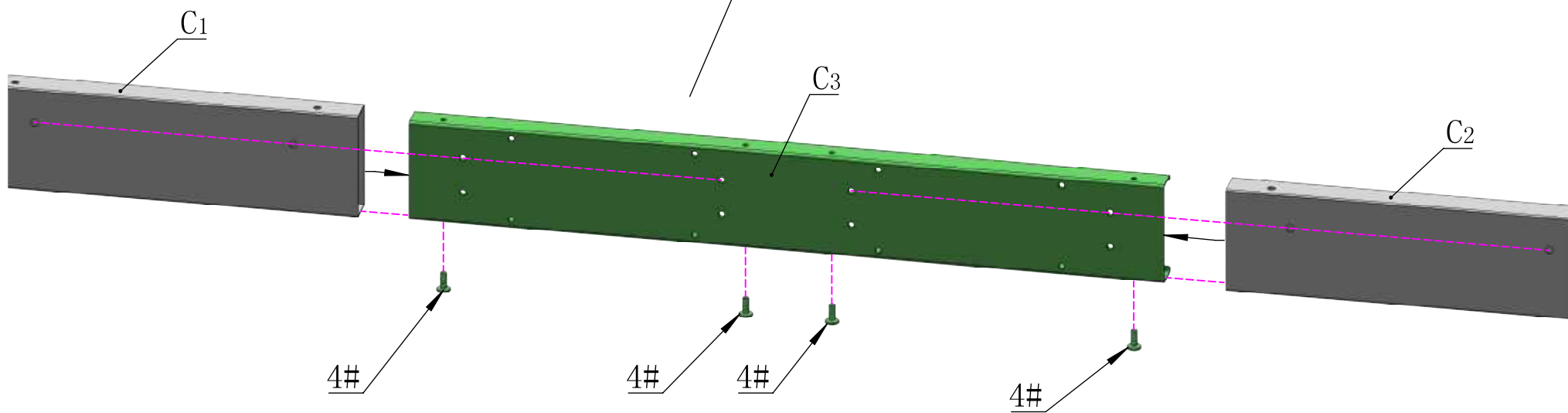
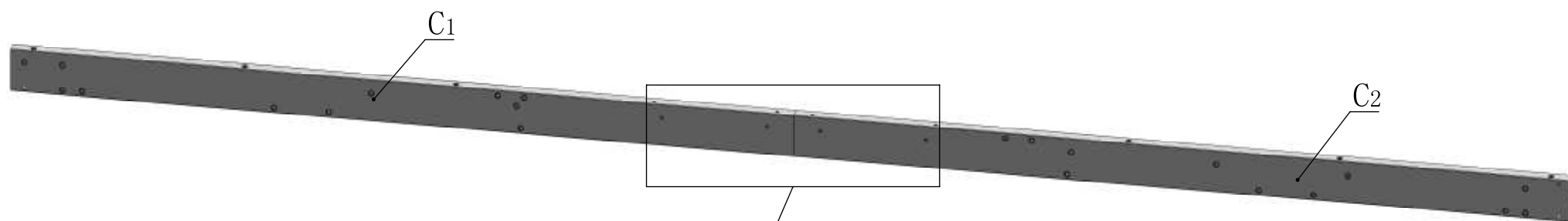
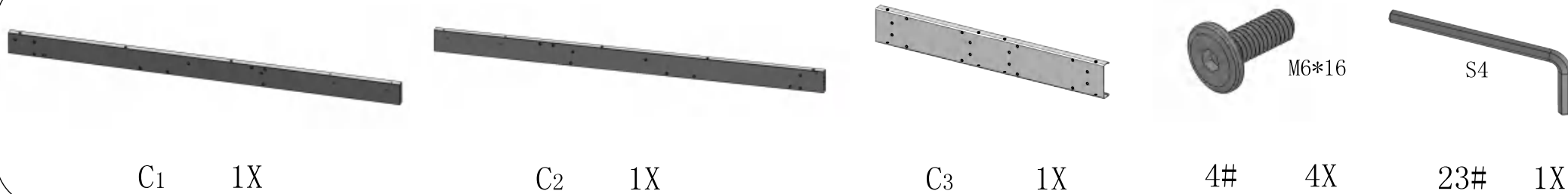
S4

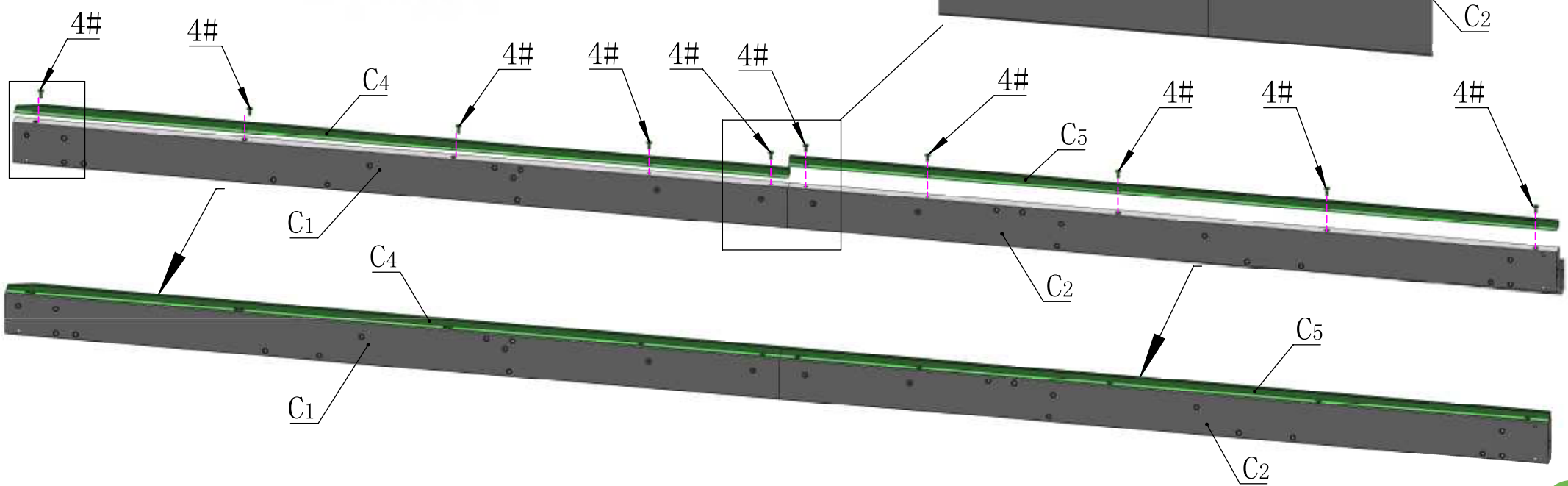
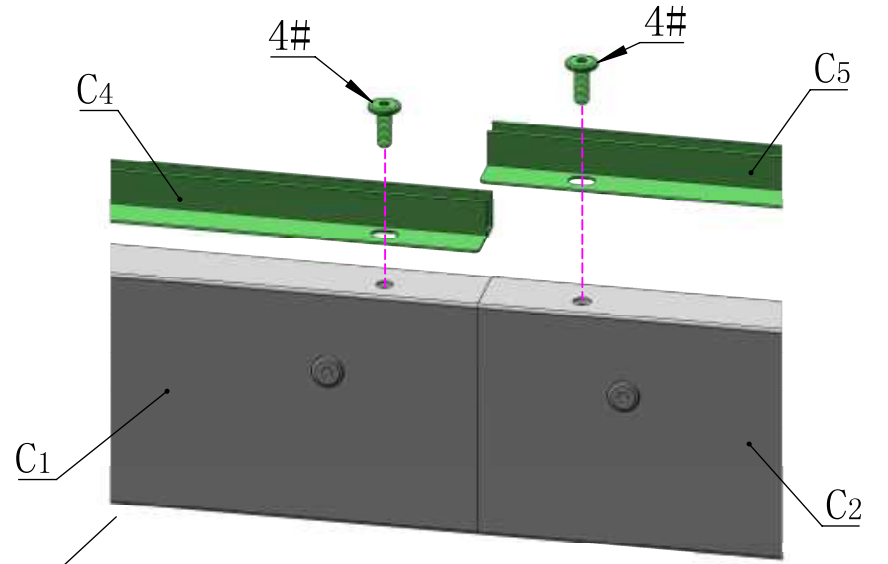
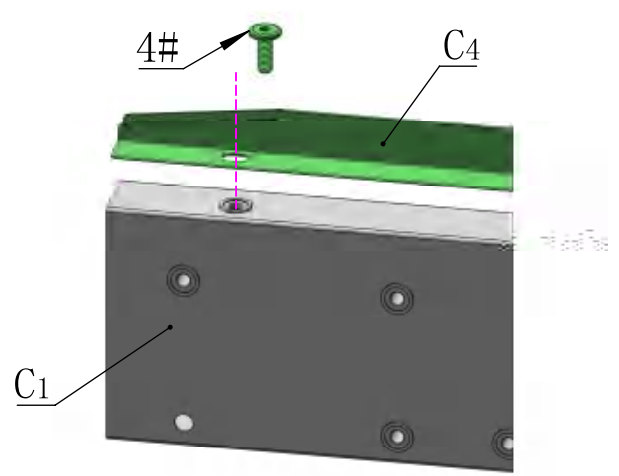
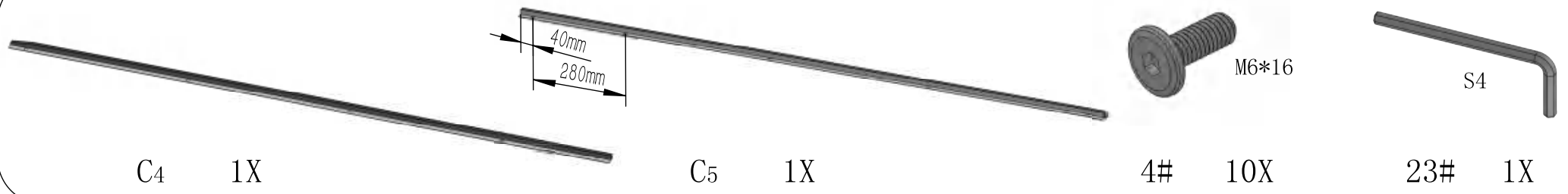
23# 1X



Side Beam Assembly









C6 1X



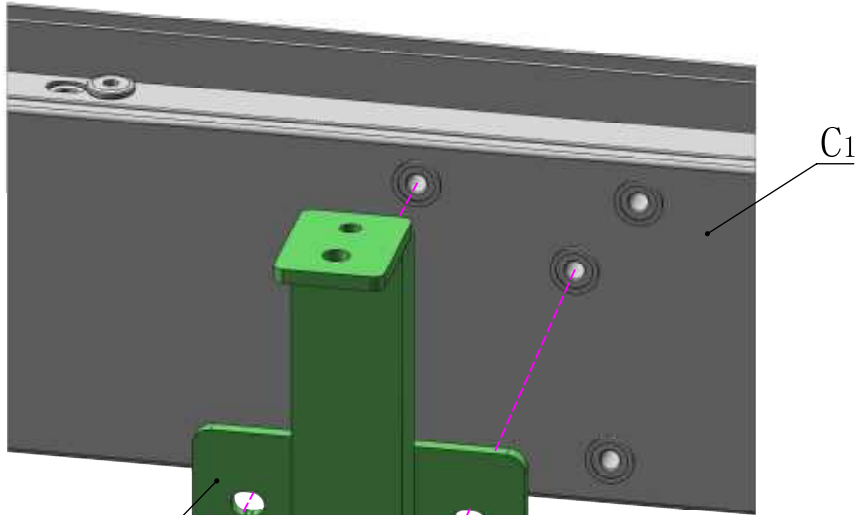
C7 1X



M6*16
4# 4X



S4
23# 1X

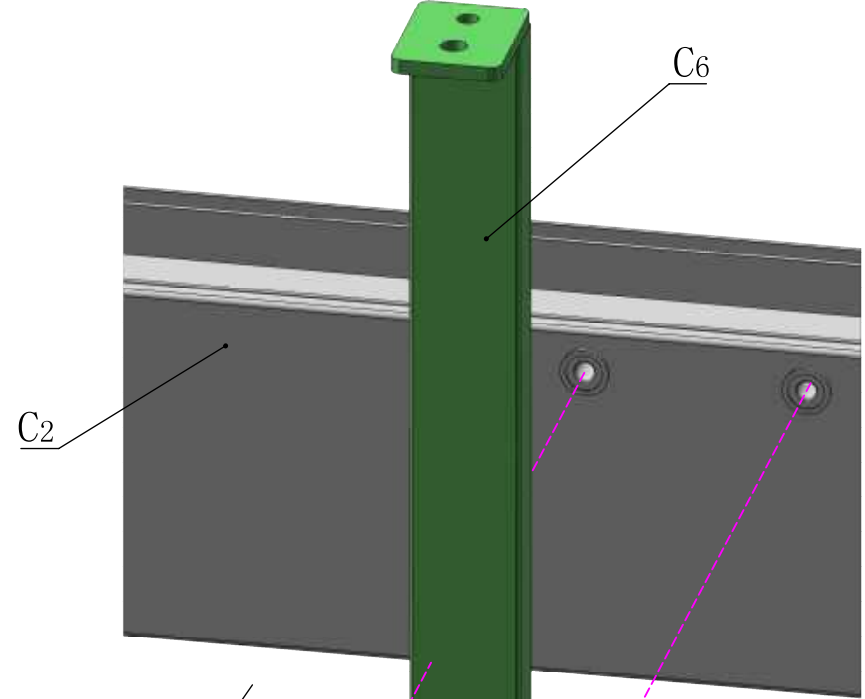


C7

4#

4#

C1

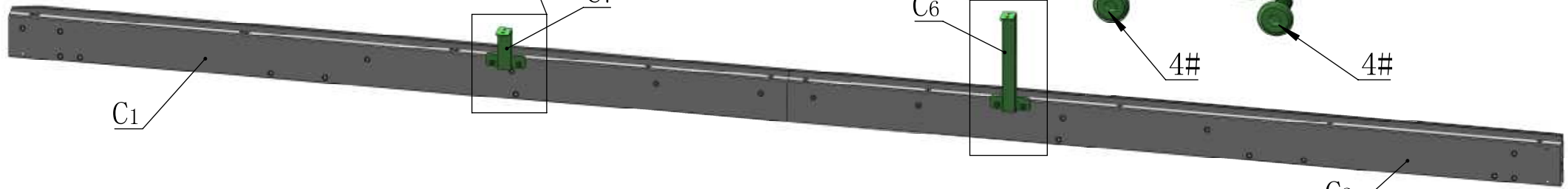


C6

C2

4#

4#



C1

C7

C6

C2



B7 2X

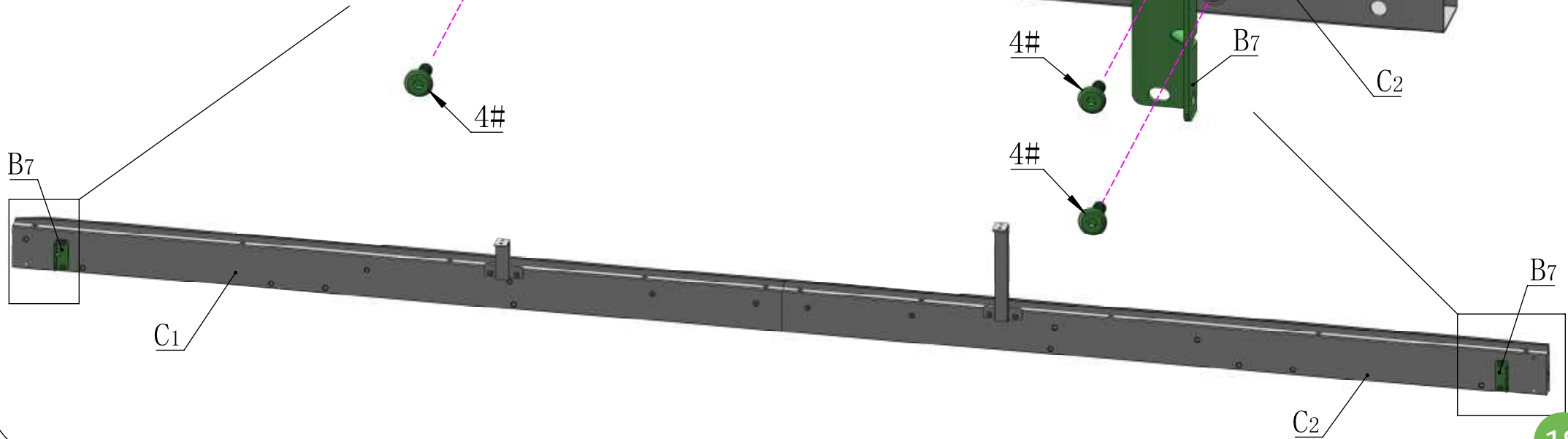
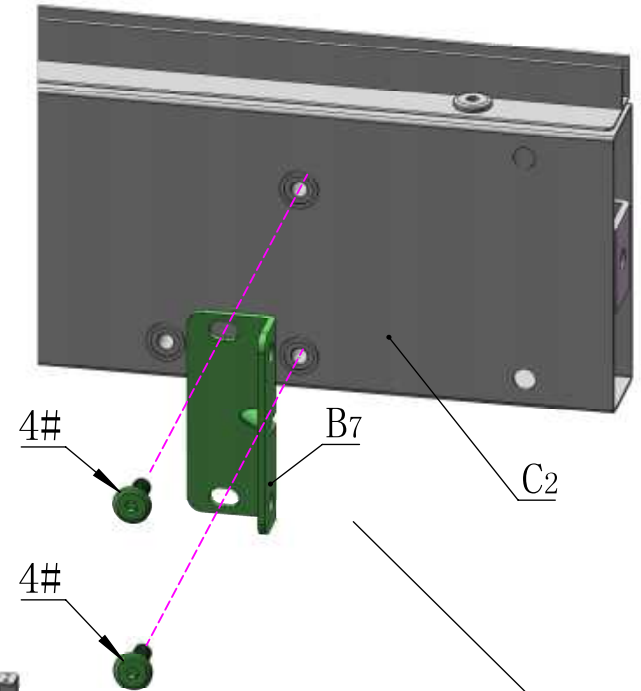
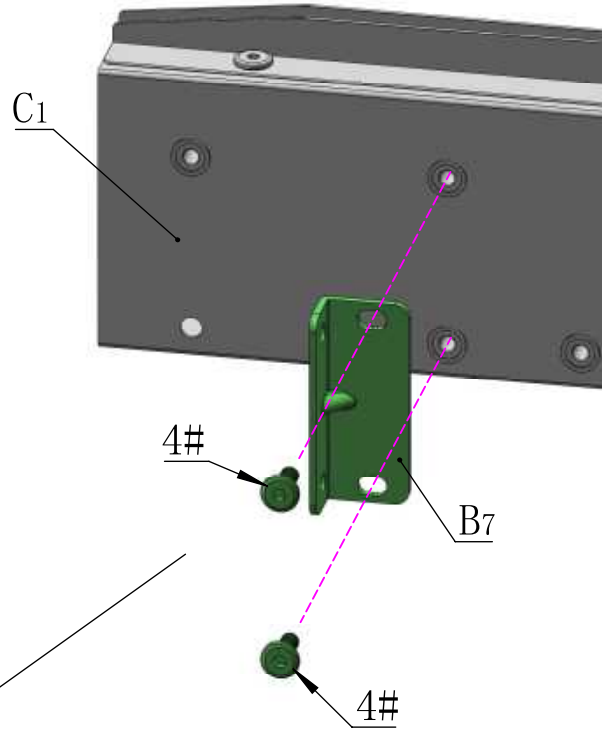


M6*16

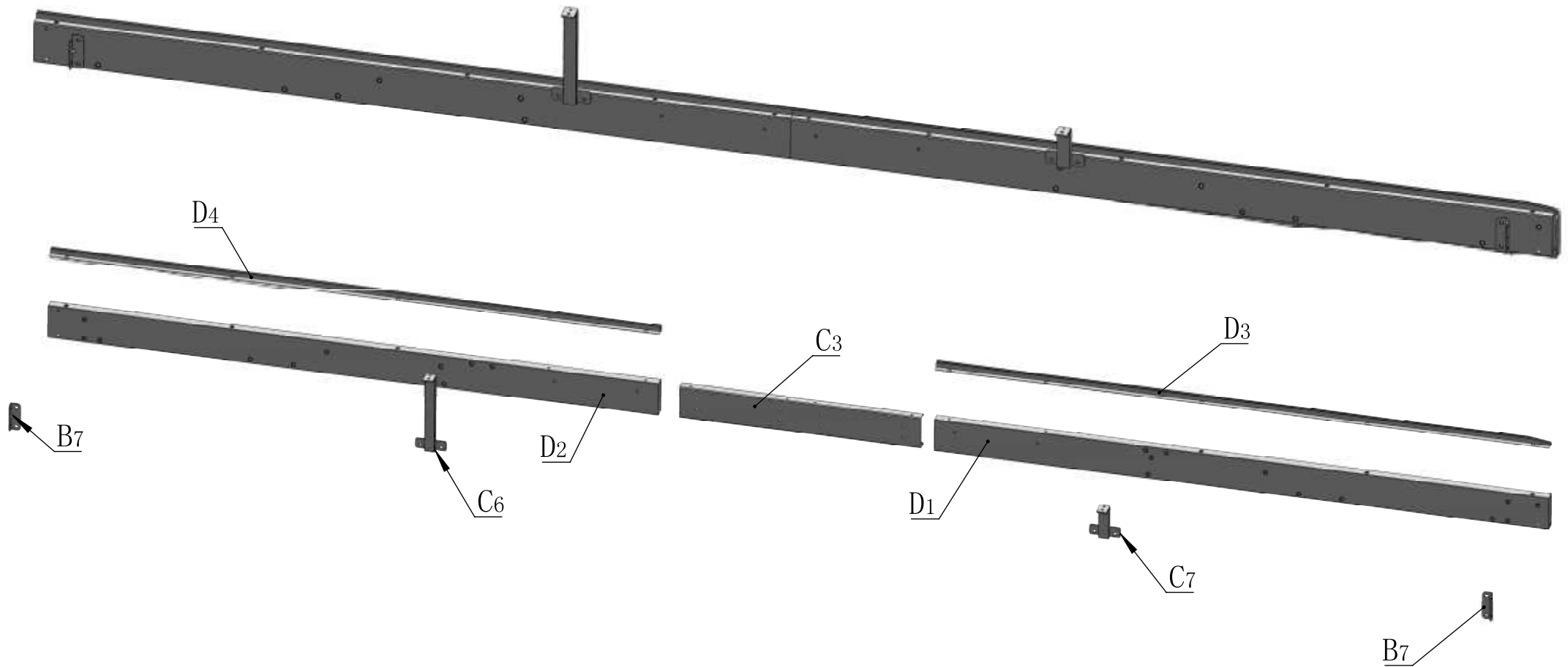
4# 4X



23# 1X



Side Beam Assembly





D1 1X



D2 1X



C3 1X



M6*16



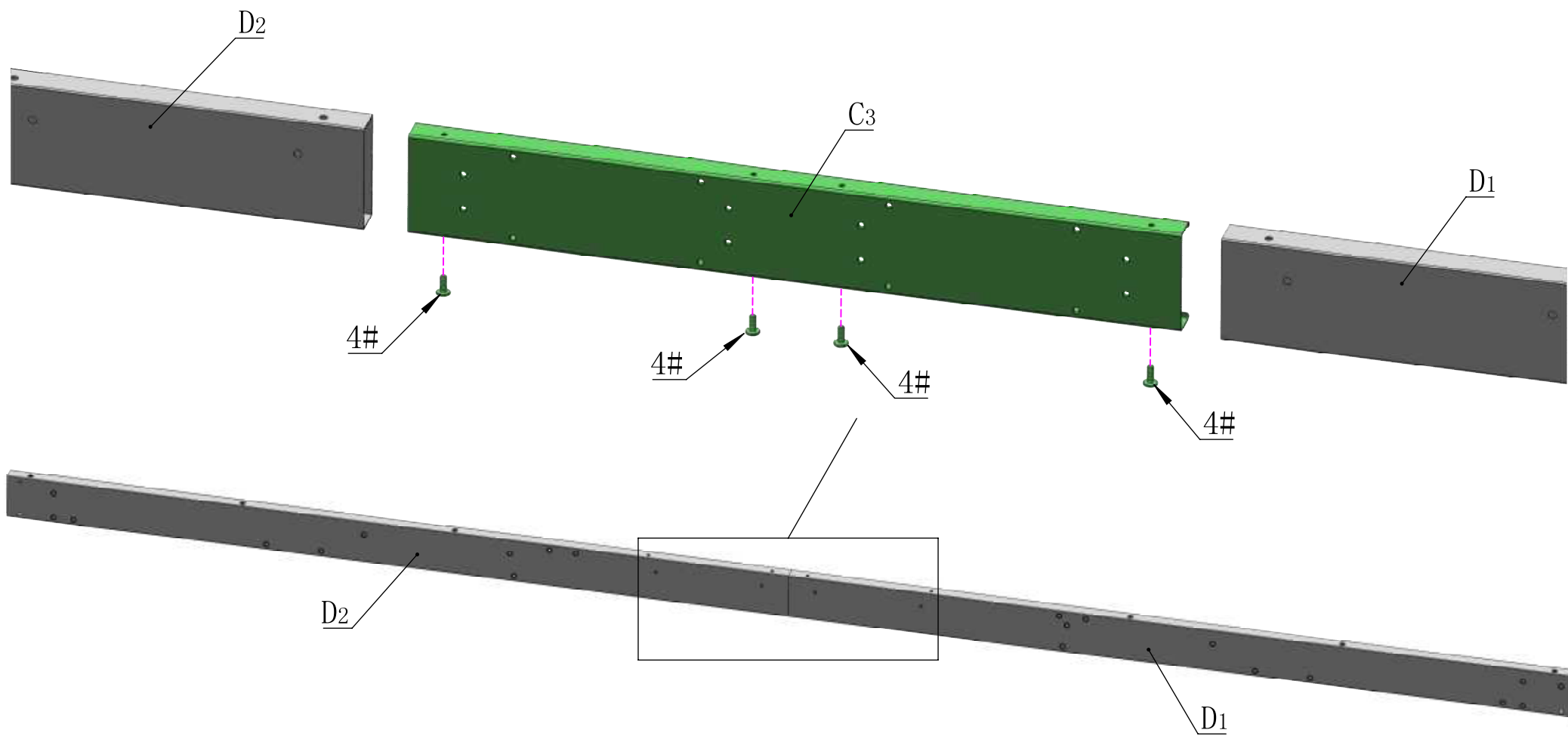
S4

4#

4X

23#

1X

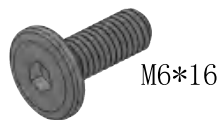




C6 1X



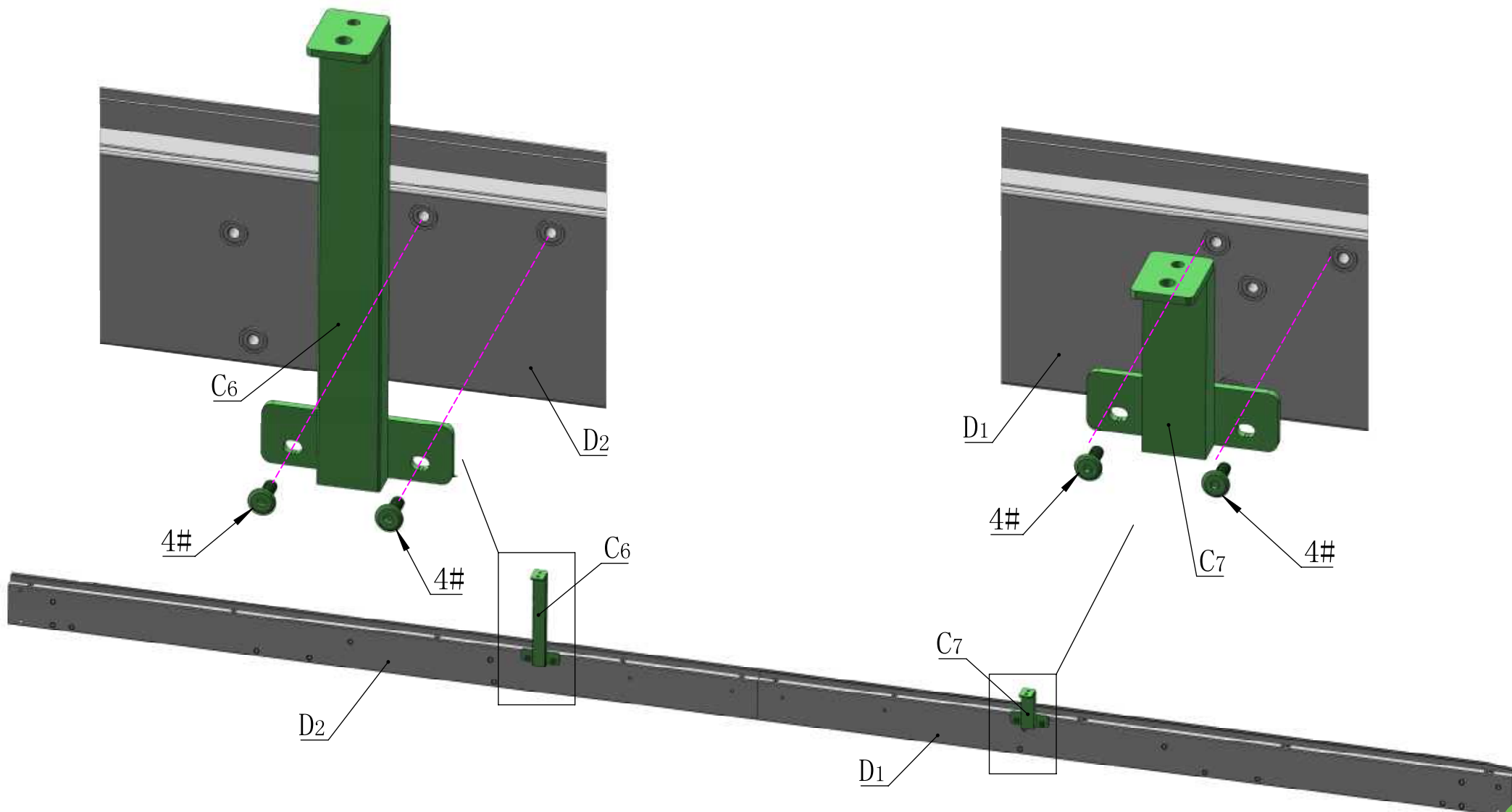
C7 1X



M6*16
4# 4X



S4
23# 1X



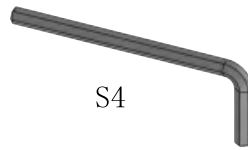


B7 2X



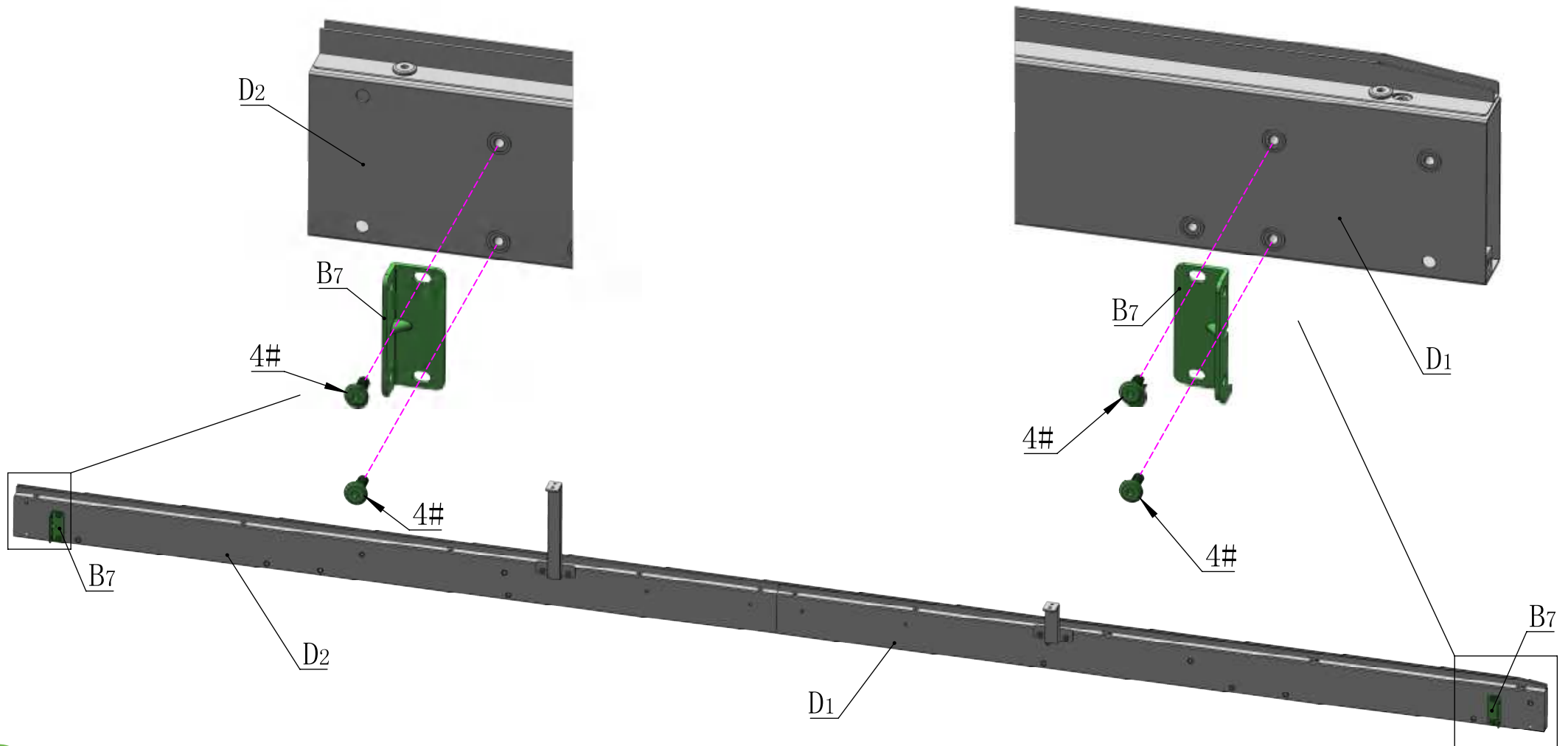
M6*16

4# 4X

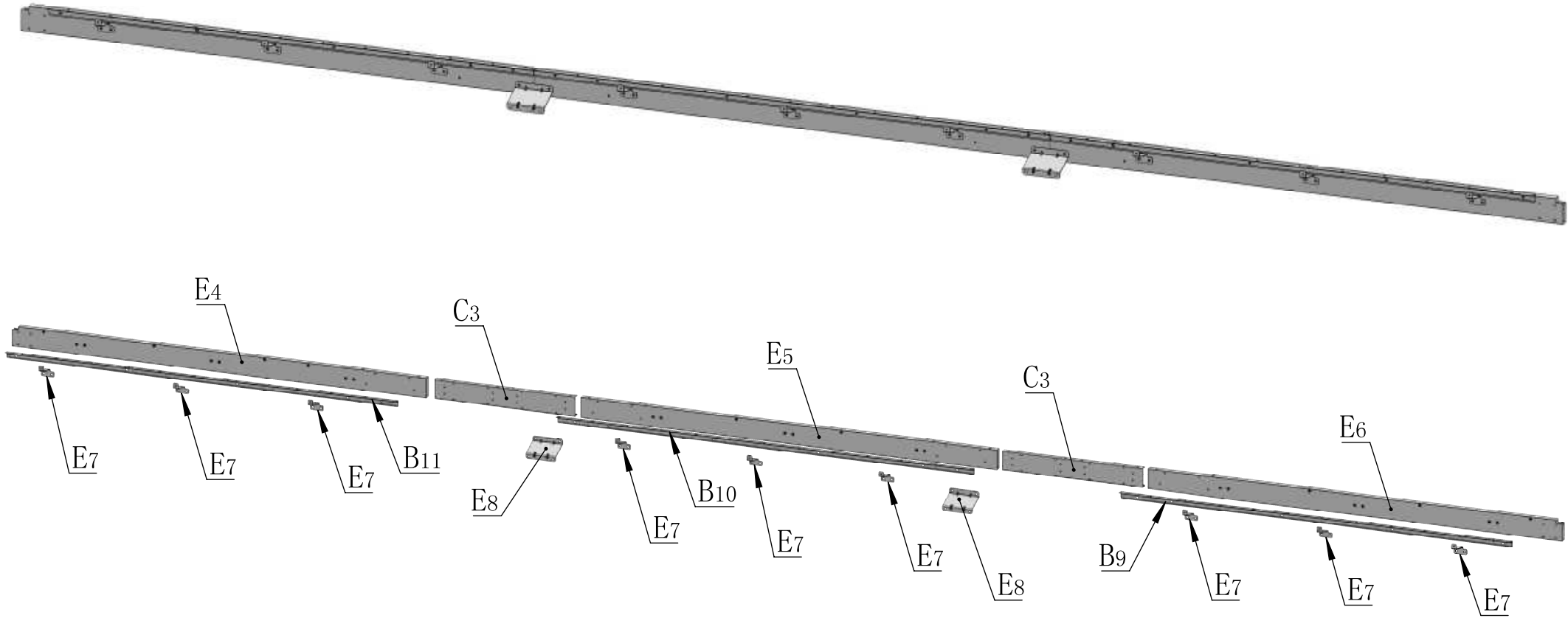


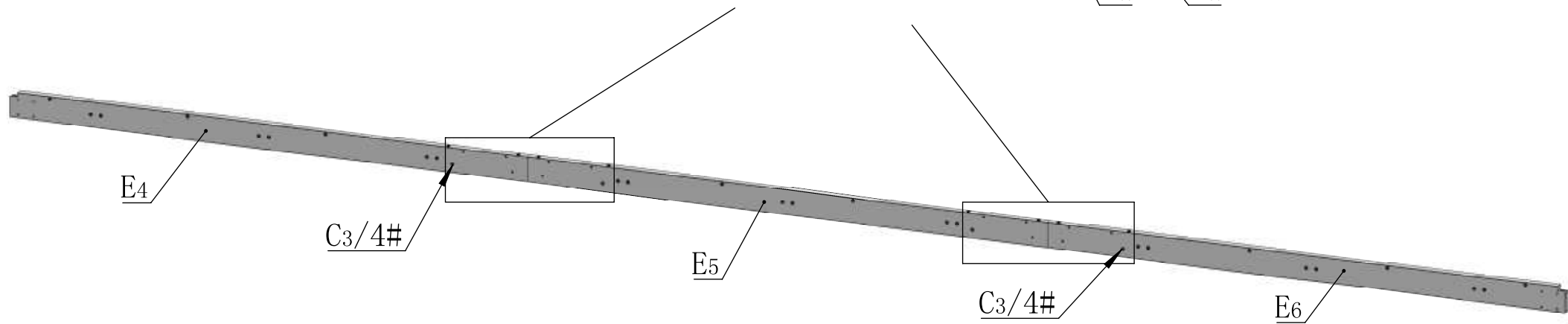
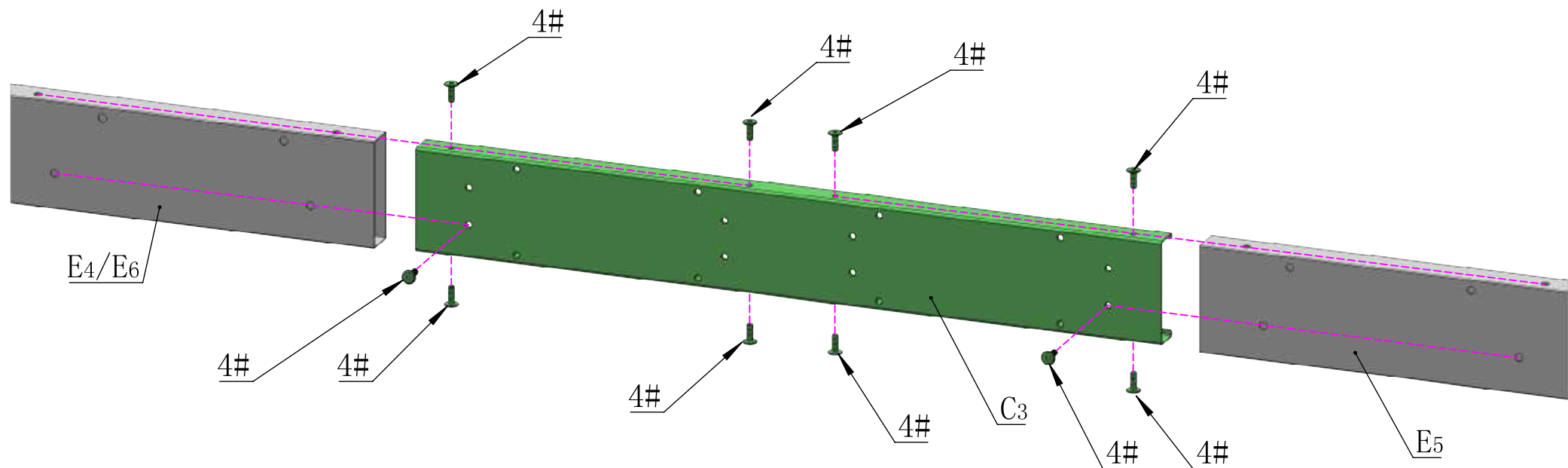
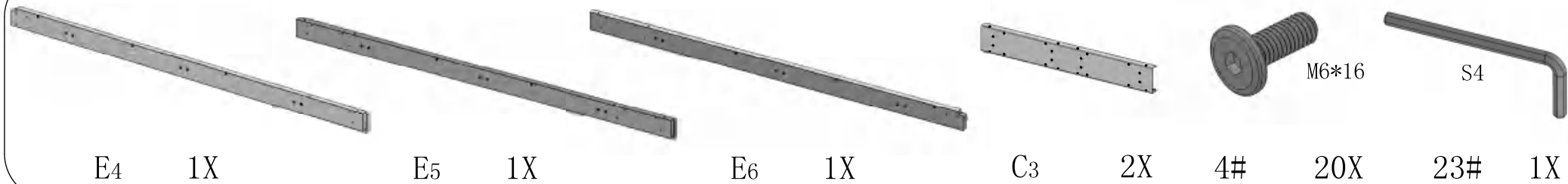
S4

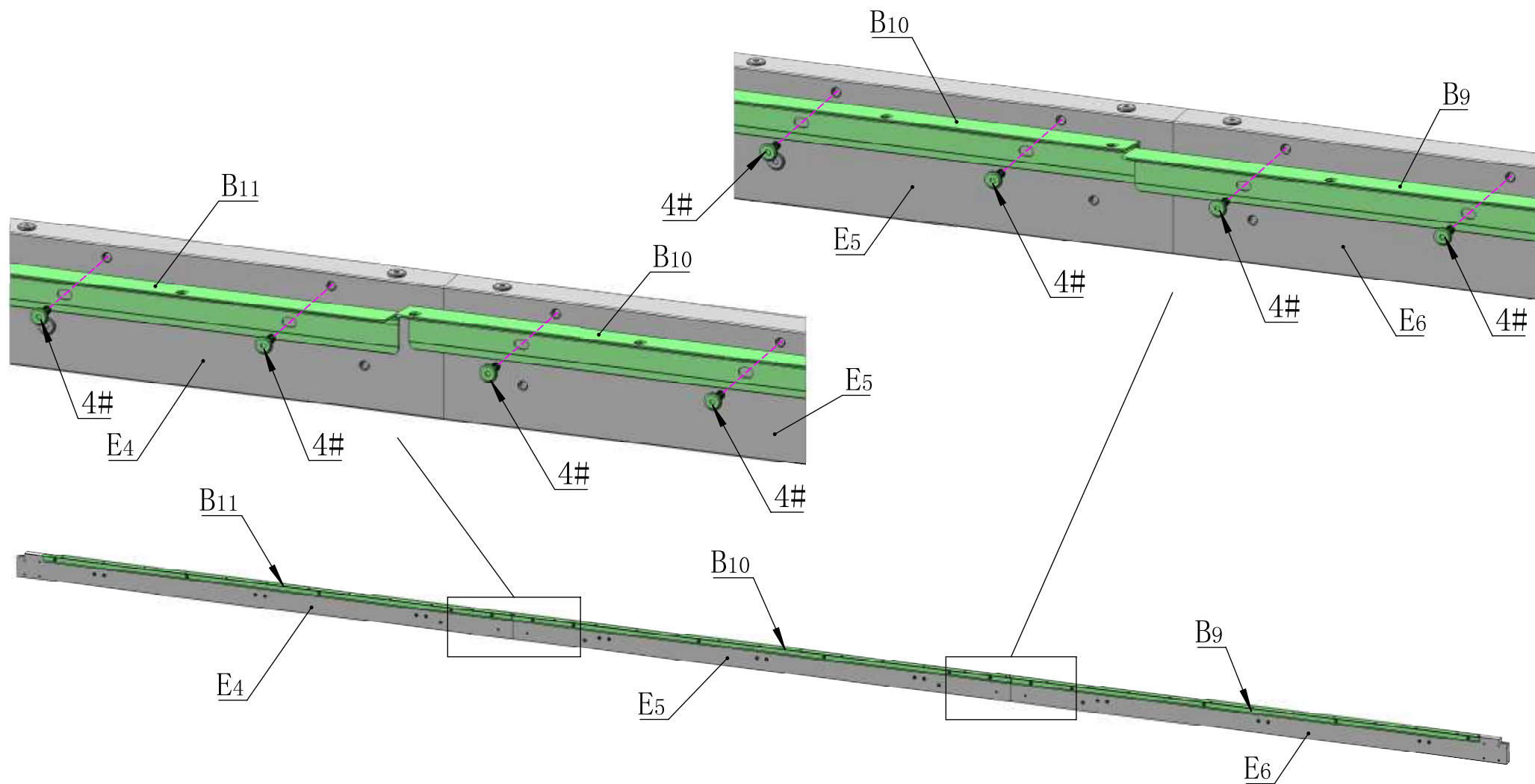
23# 1X



Rear Beam Assembly









E7

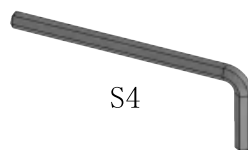
9X



M6*16

4#

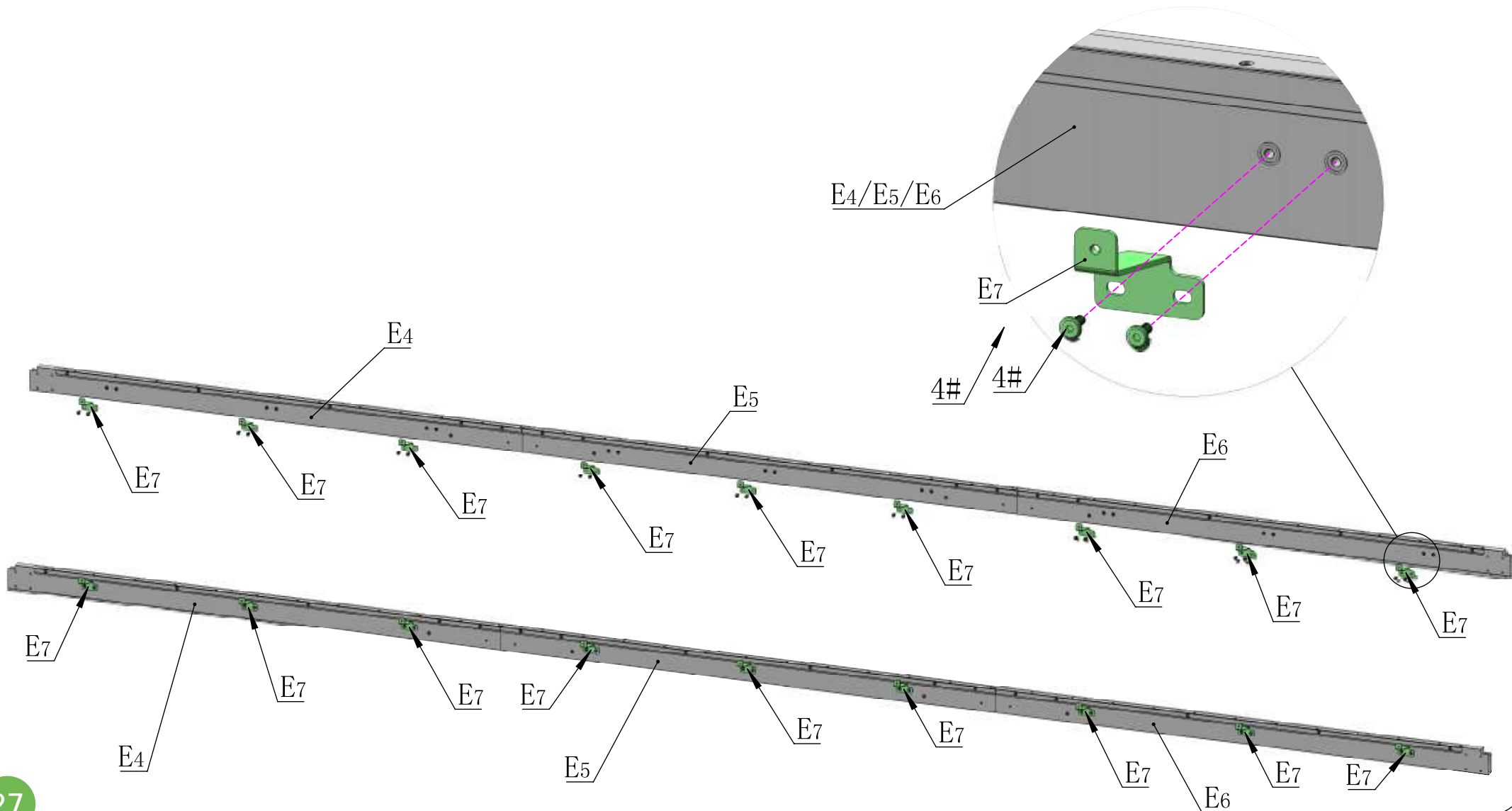
18X

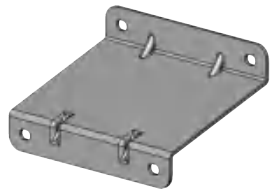


S4

23#

1X

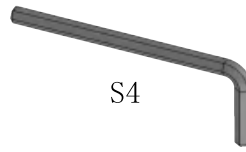




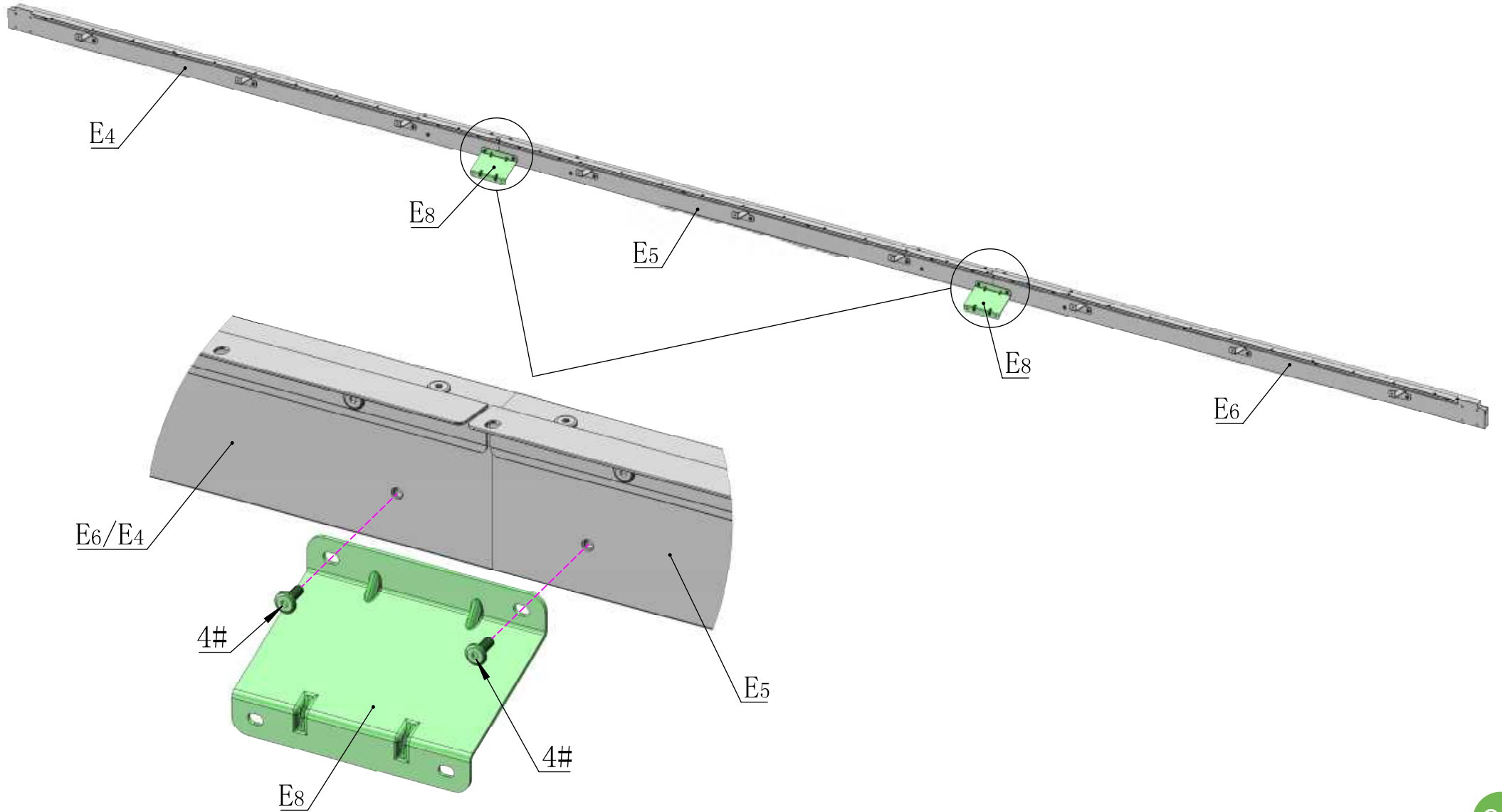
E8 2X



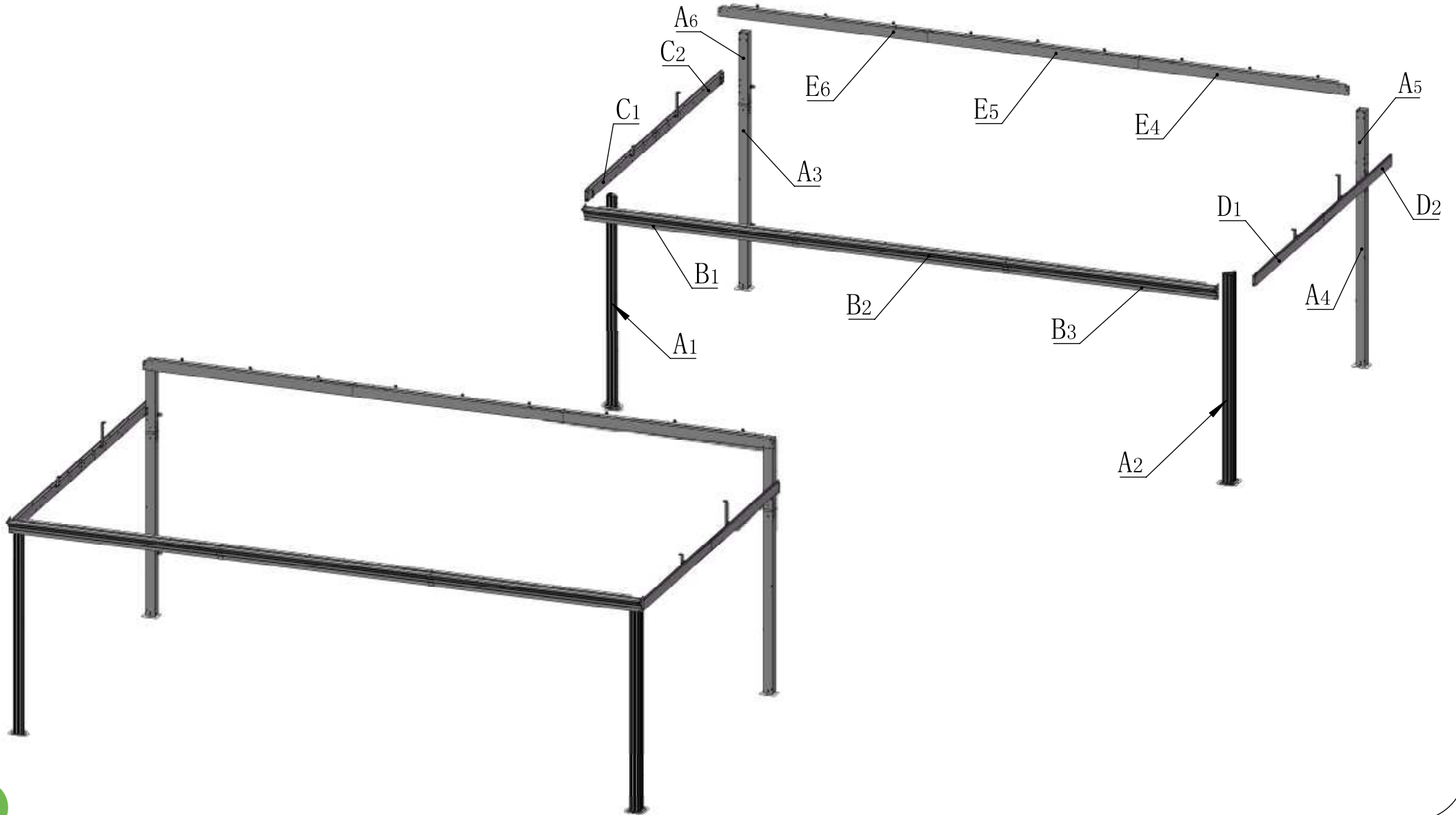
4# 4X



23# 1X



Frame Assembly

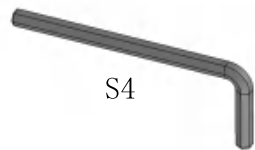




M6*16

4#

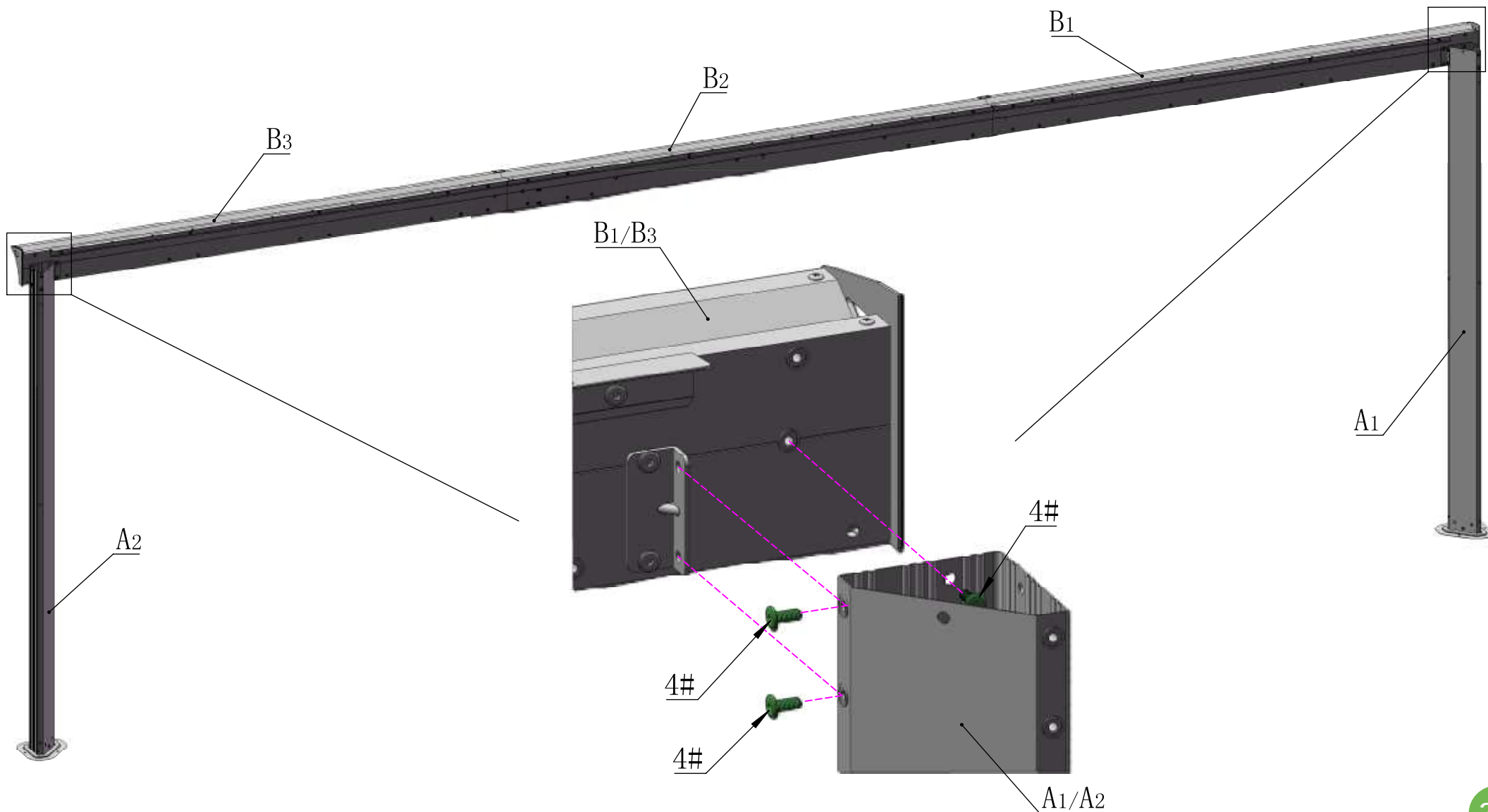
6X



S4

23#

1X





M6*16

4#

10X



7#

2X



8#

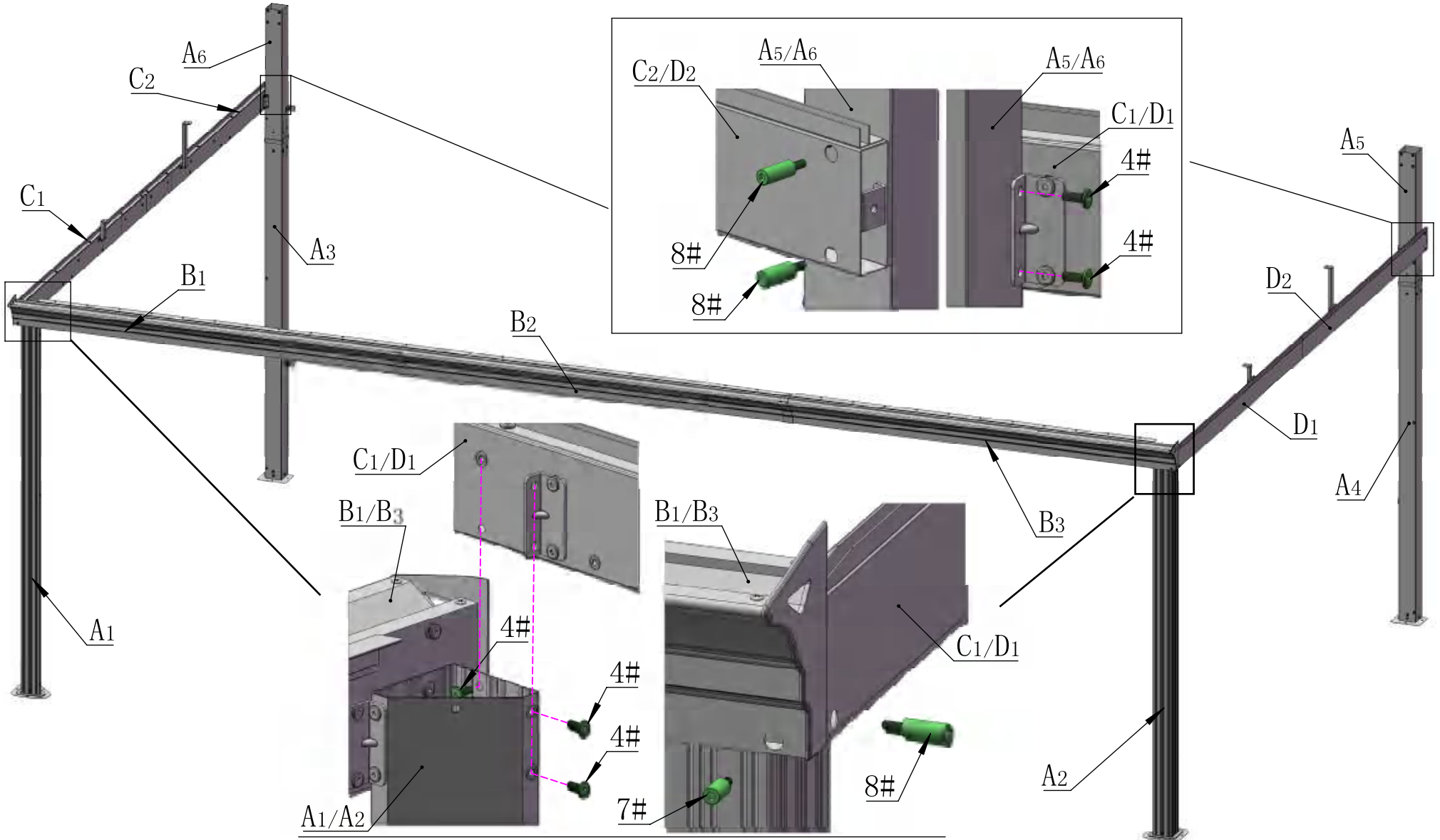
6X



S4

23#

1X





I1

2X



M6*16

4#

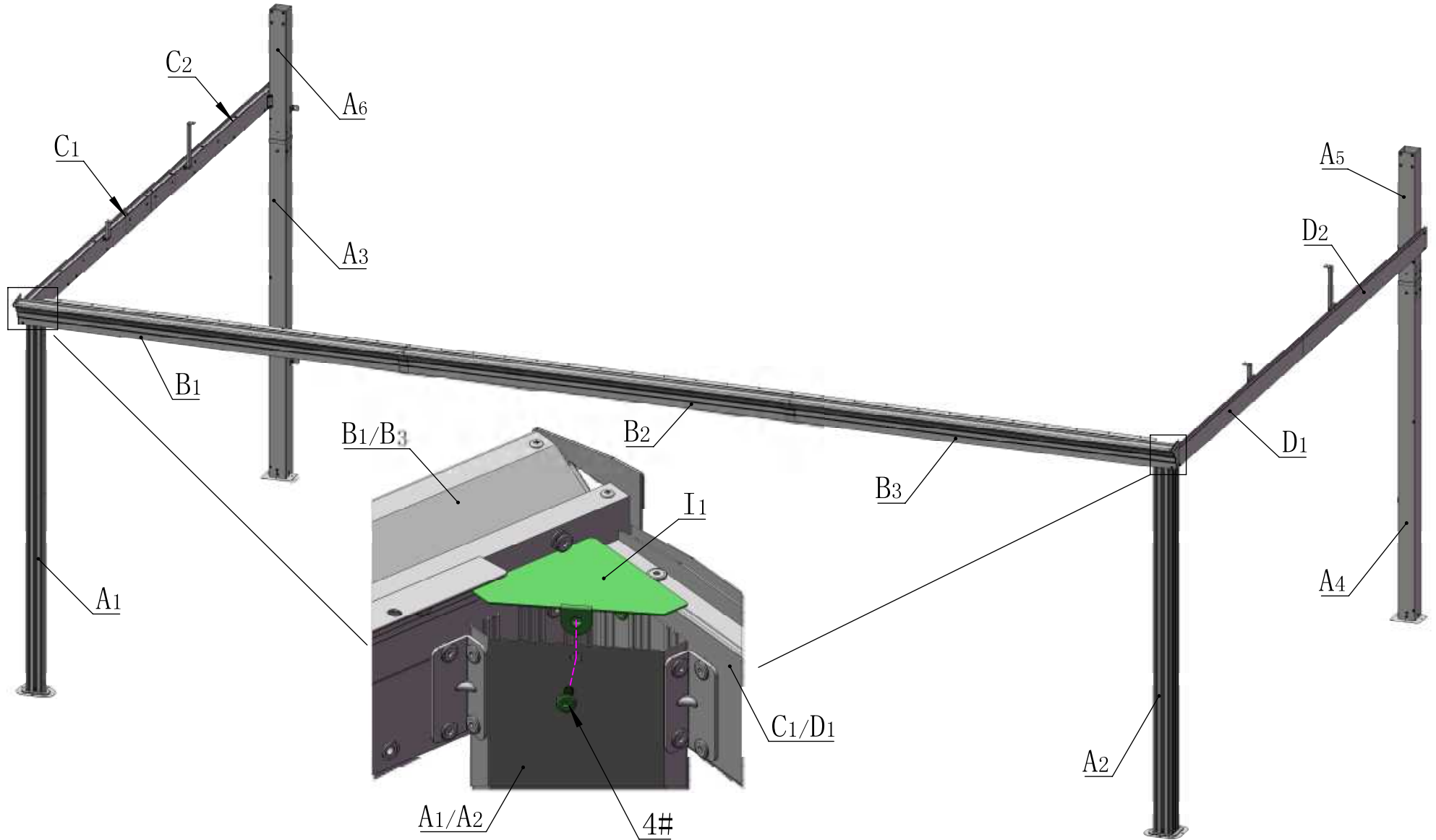
2X

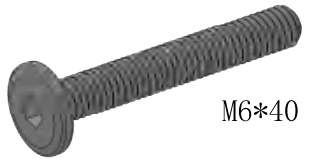


S4

23#

1X

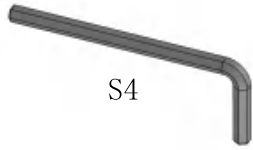




M6*40

6#

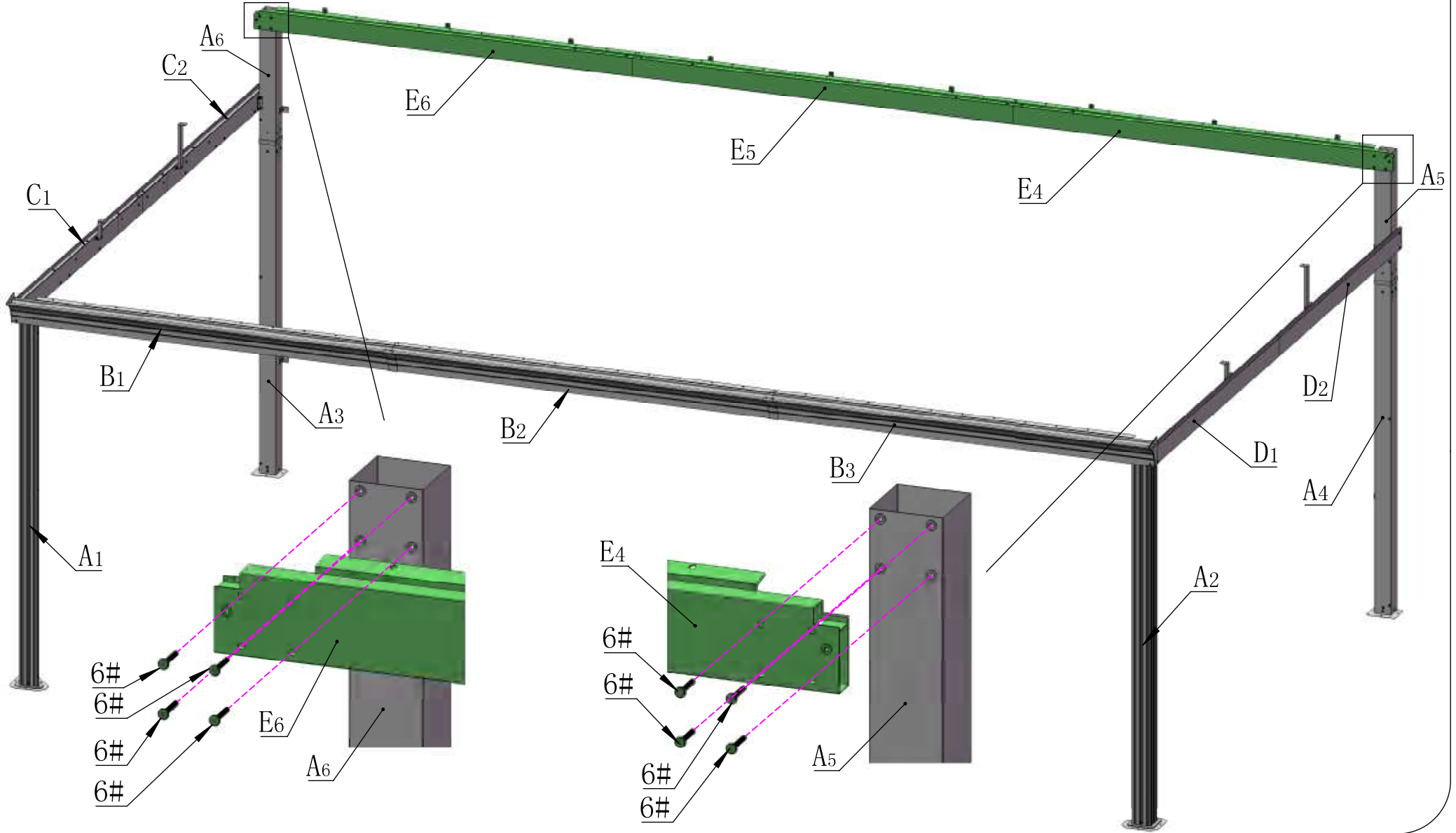
8X



S4

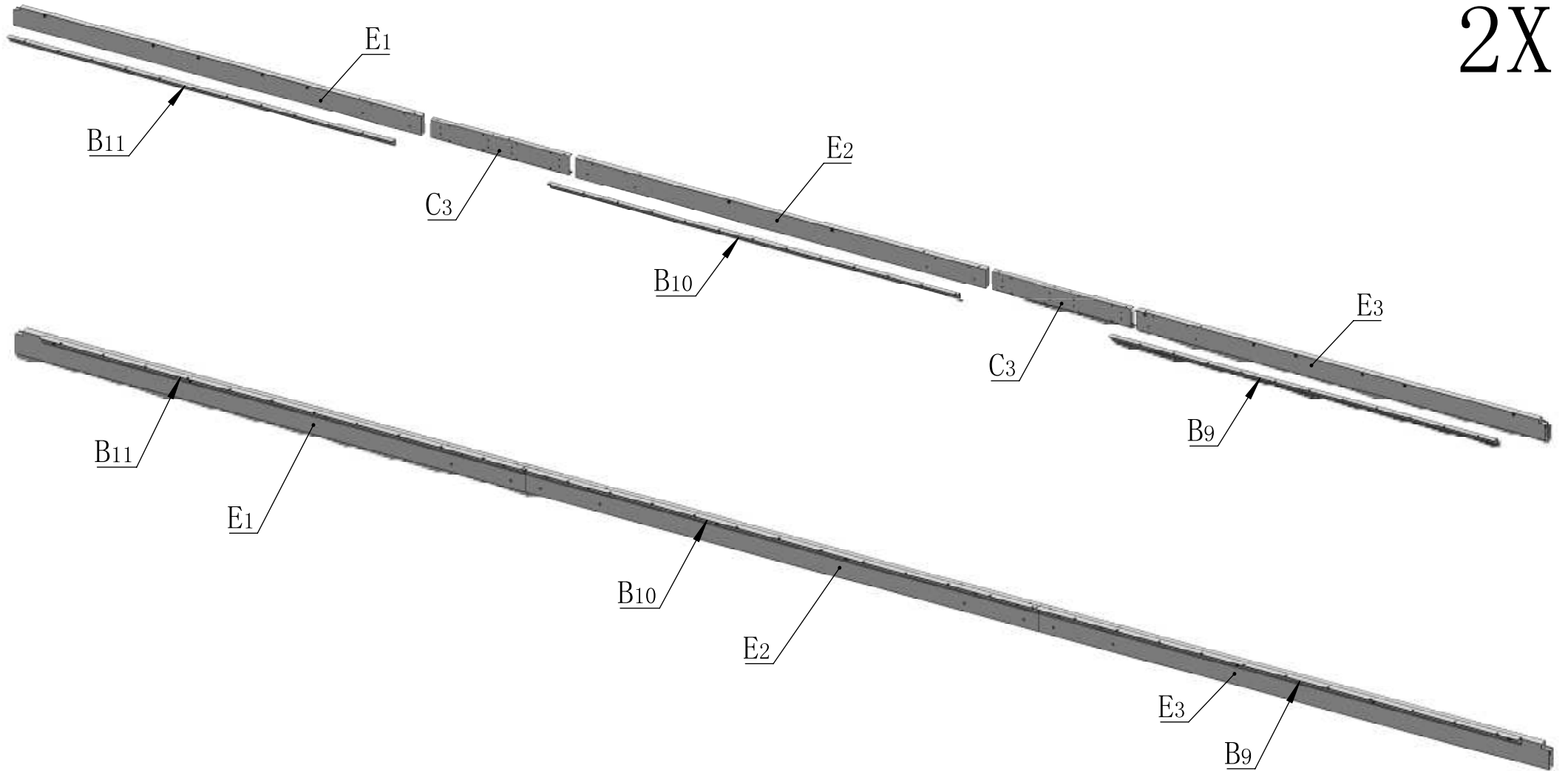
23#

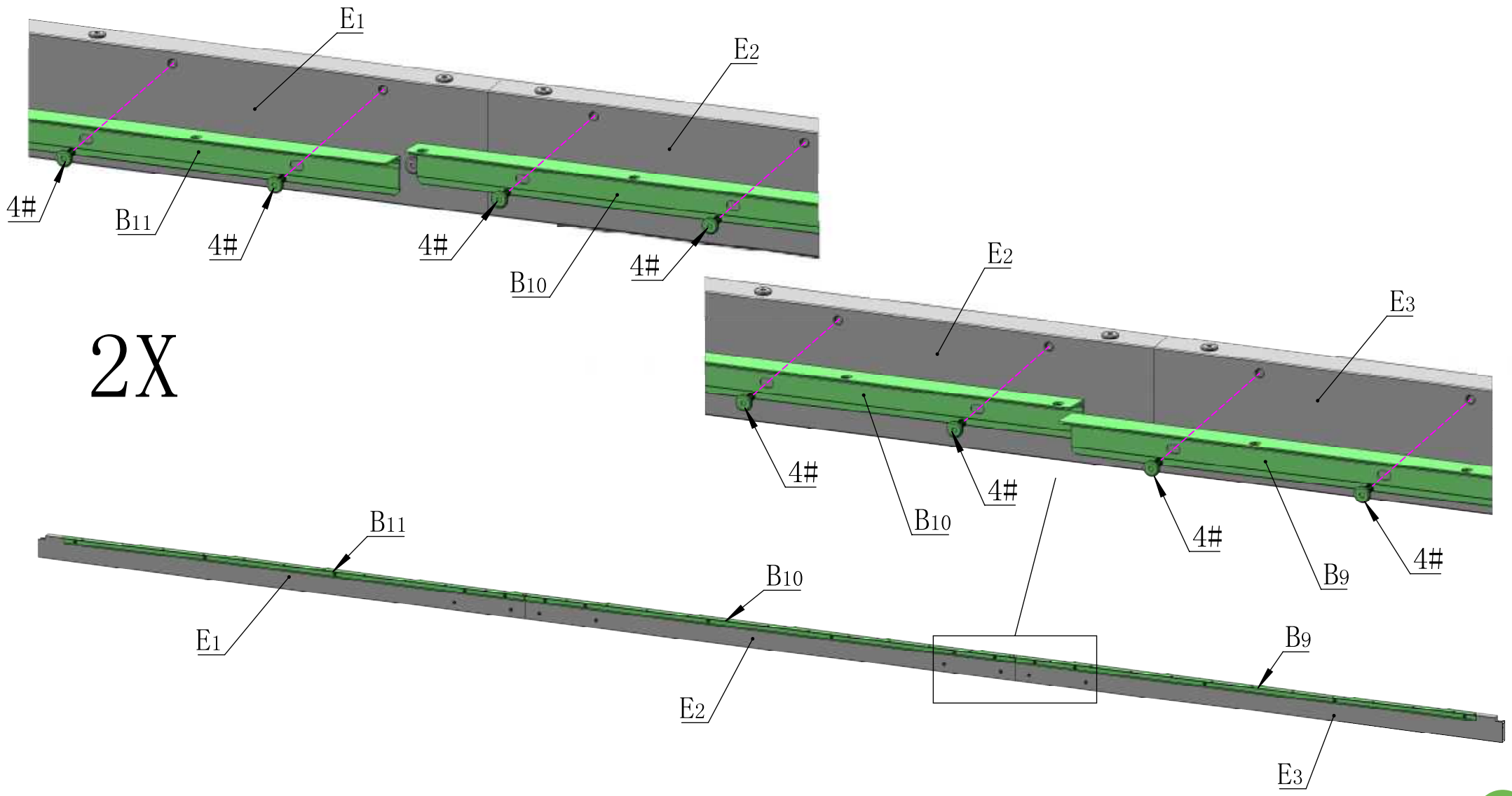
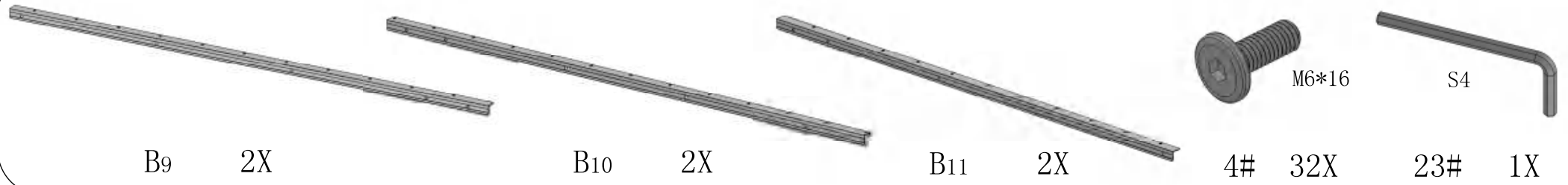
1X

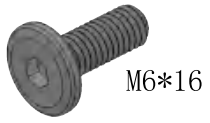


Middle Beam Assembly

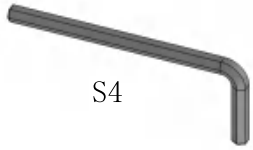
2X







M6*16



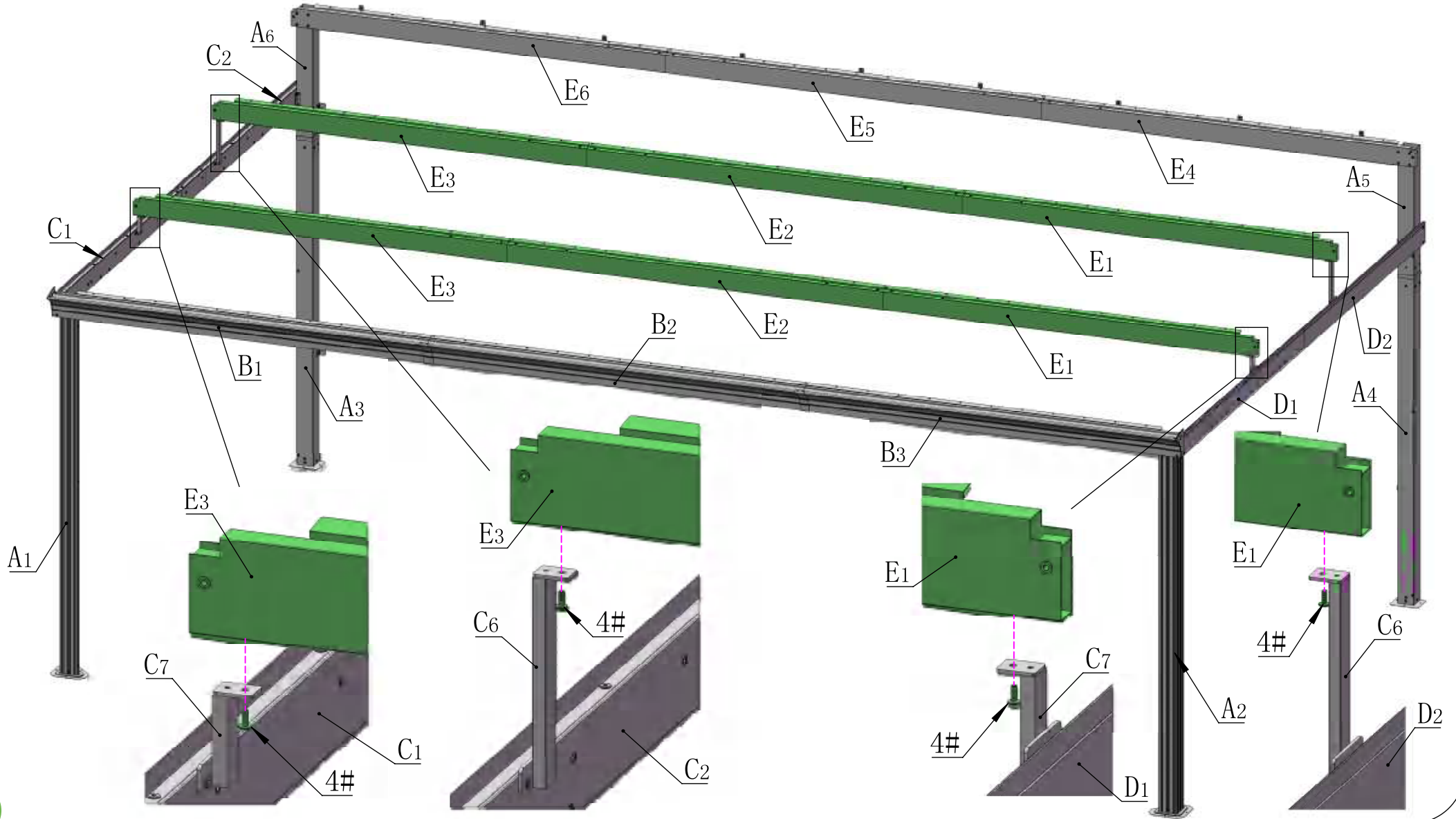
S4

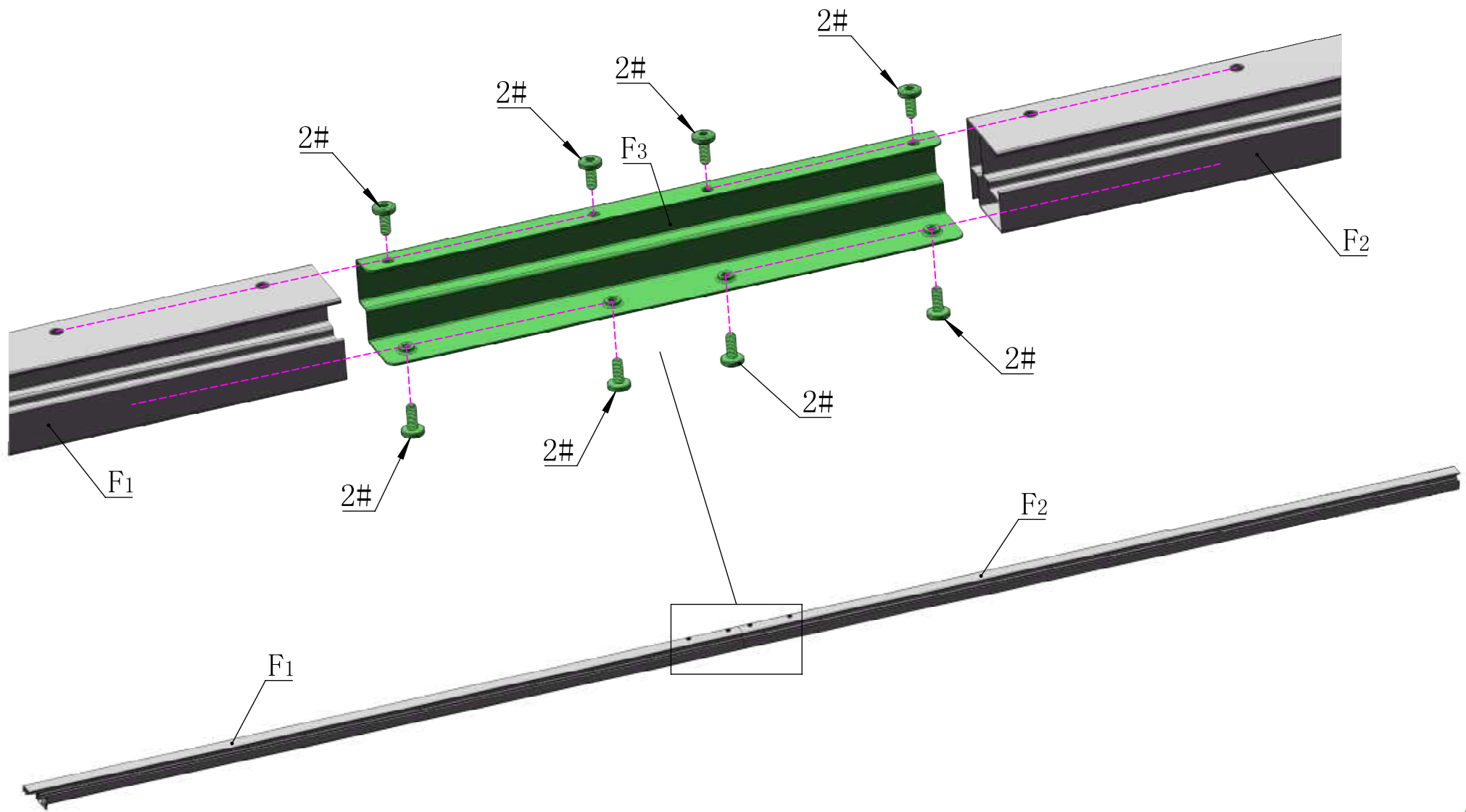
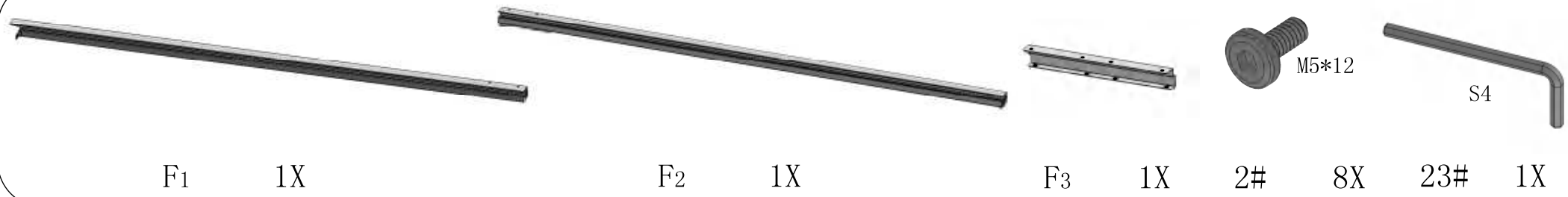
4#

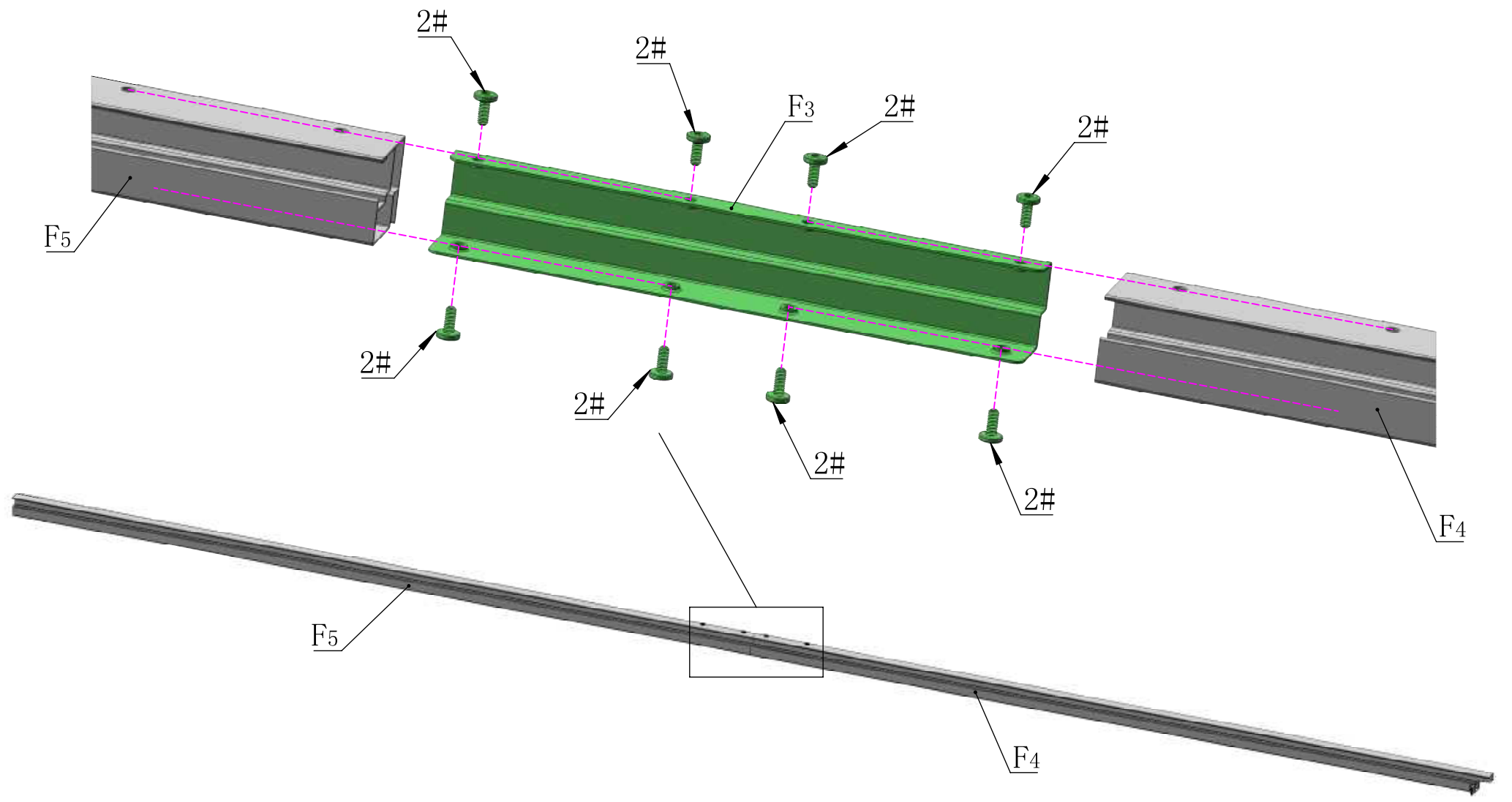
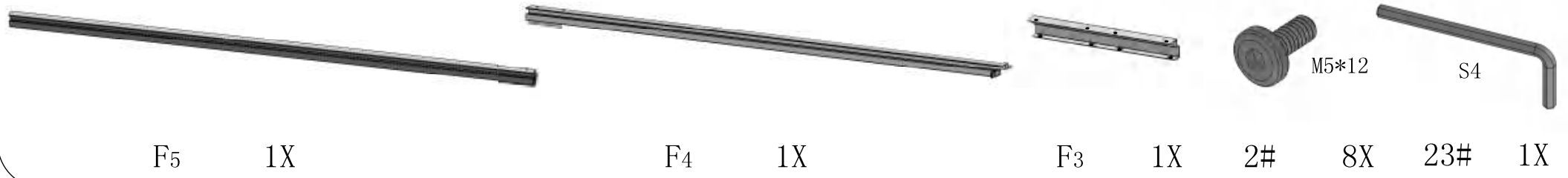
4X

23#

1X





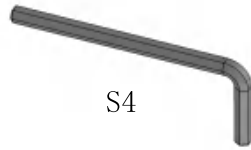




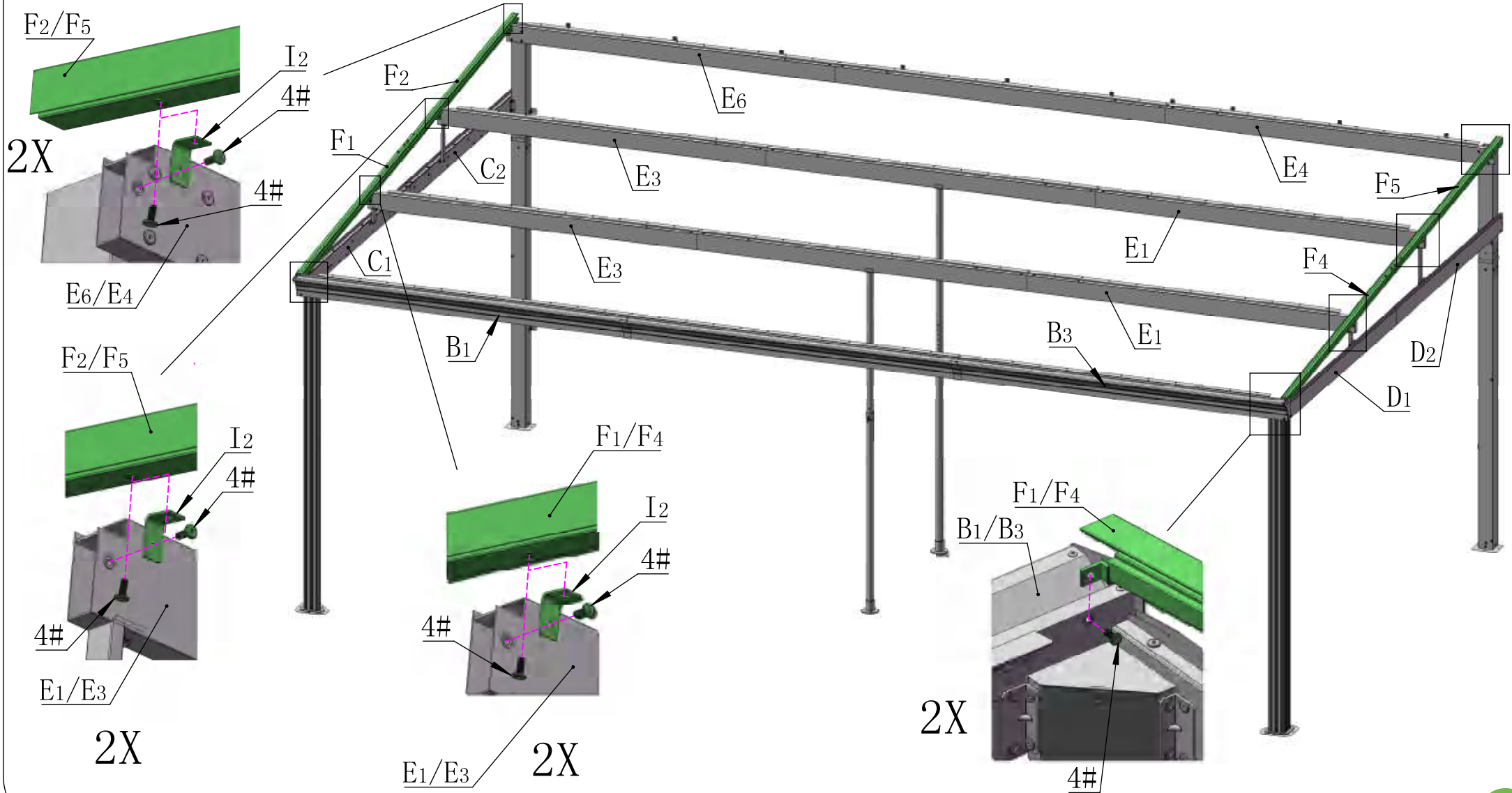
I2 6X

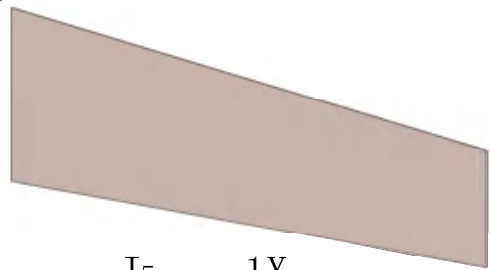


M6*16
4# 14X

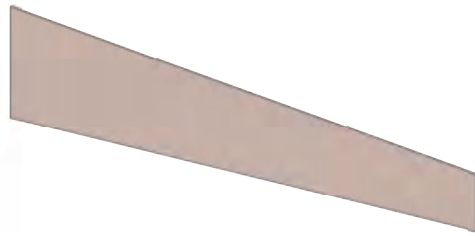


S4
23# 1X

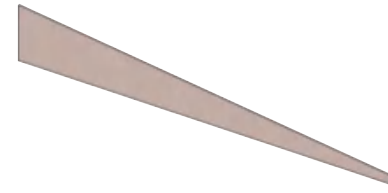




J5 1X



J7 1X



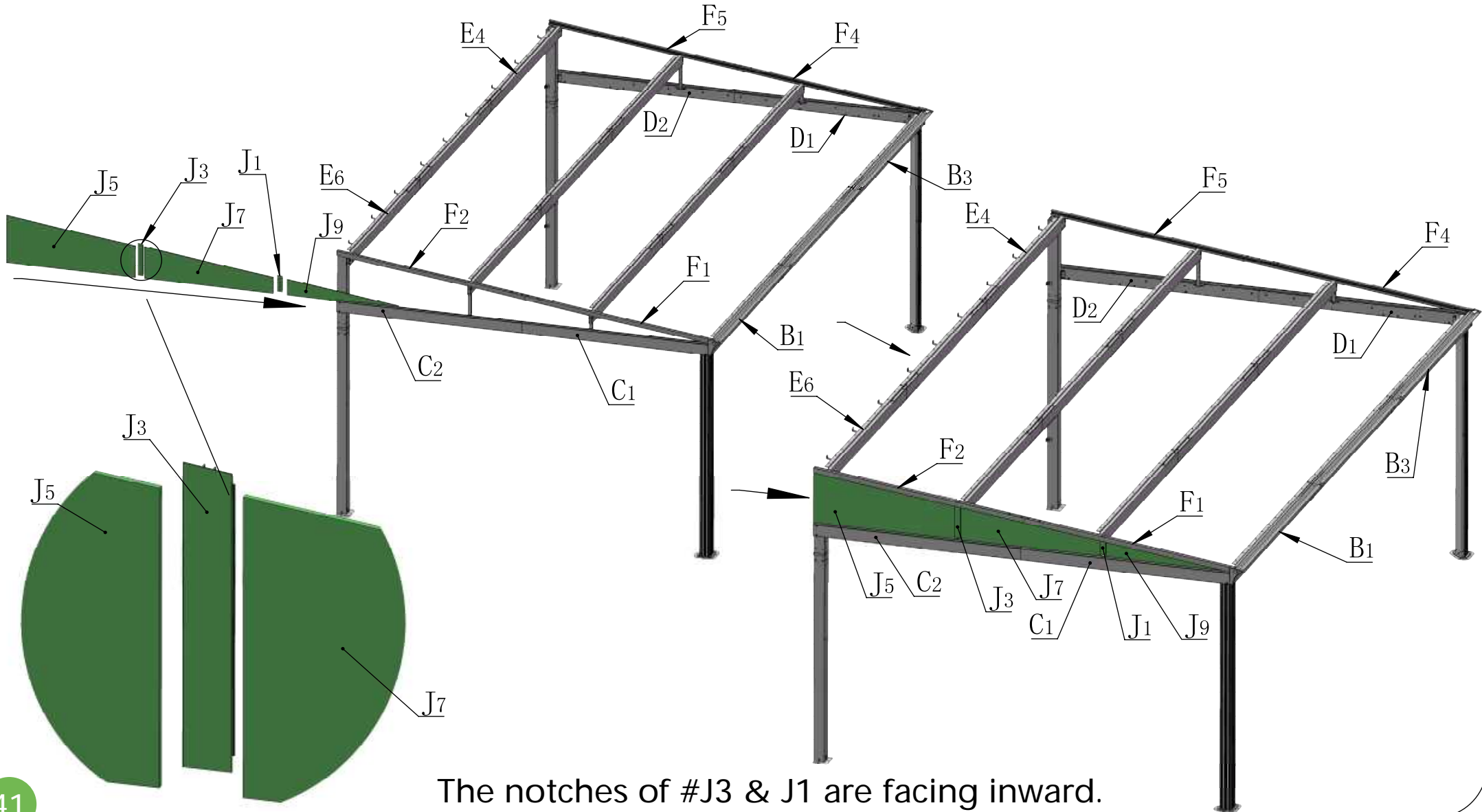
J9 1X



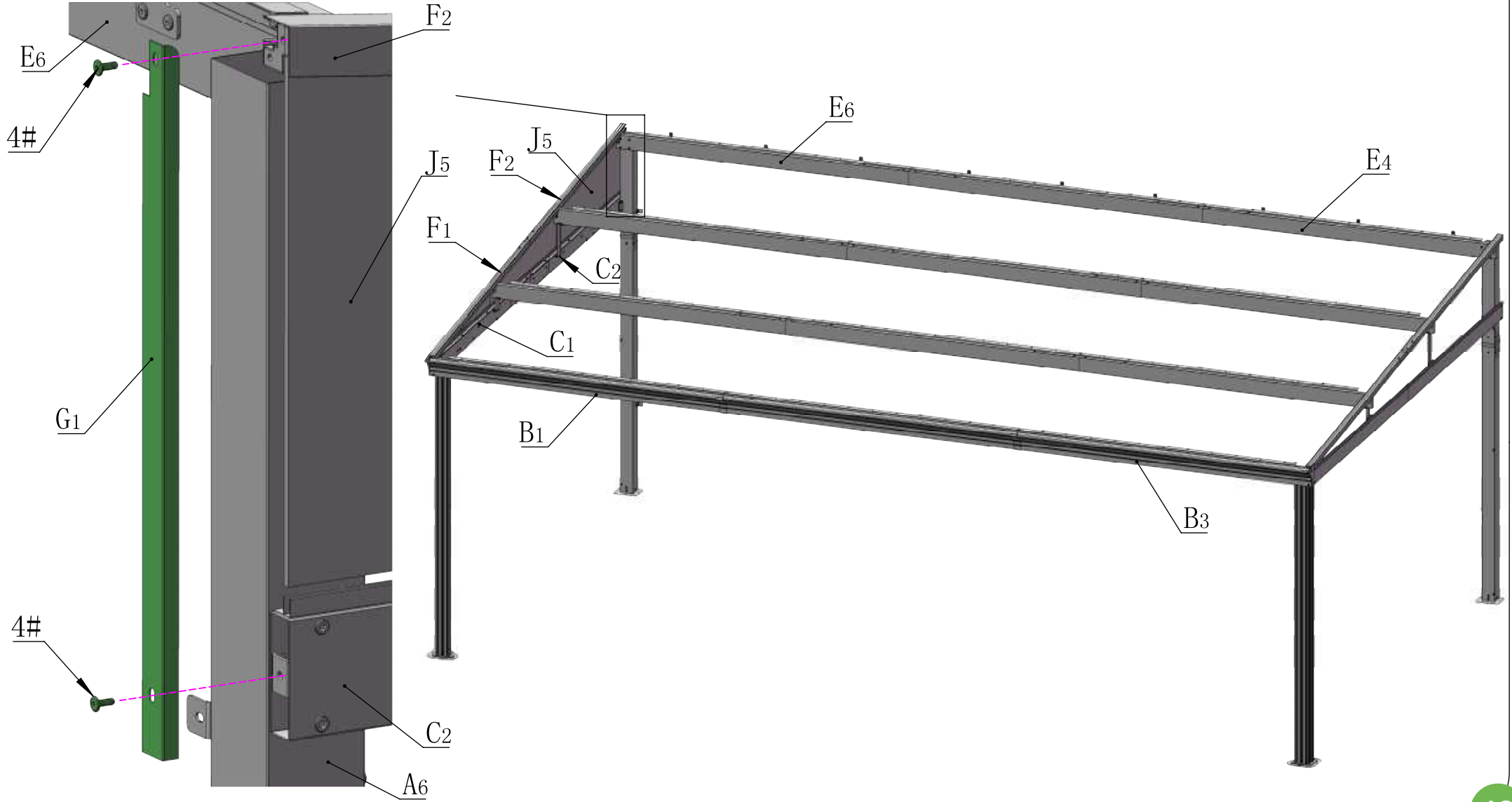
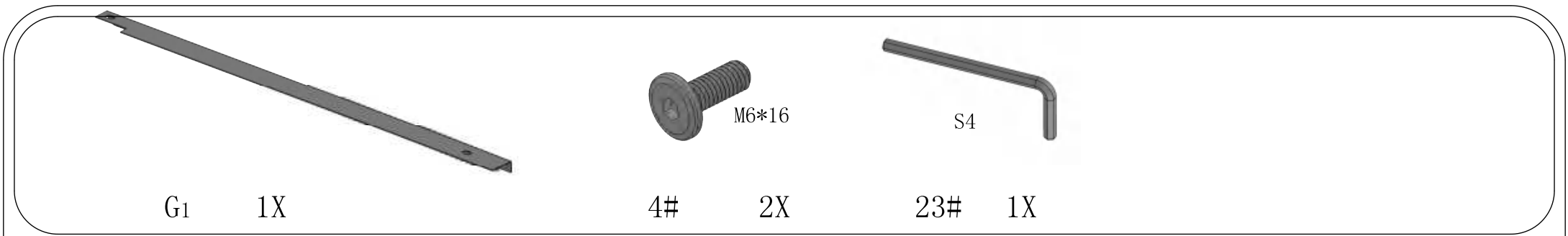
J3 1X

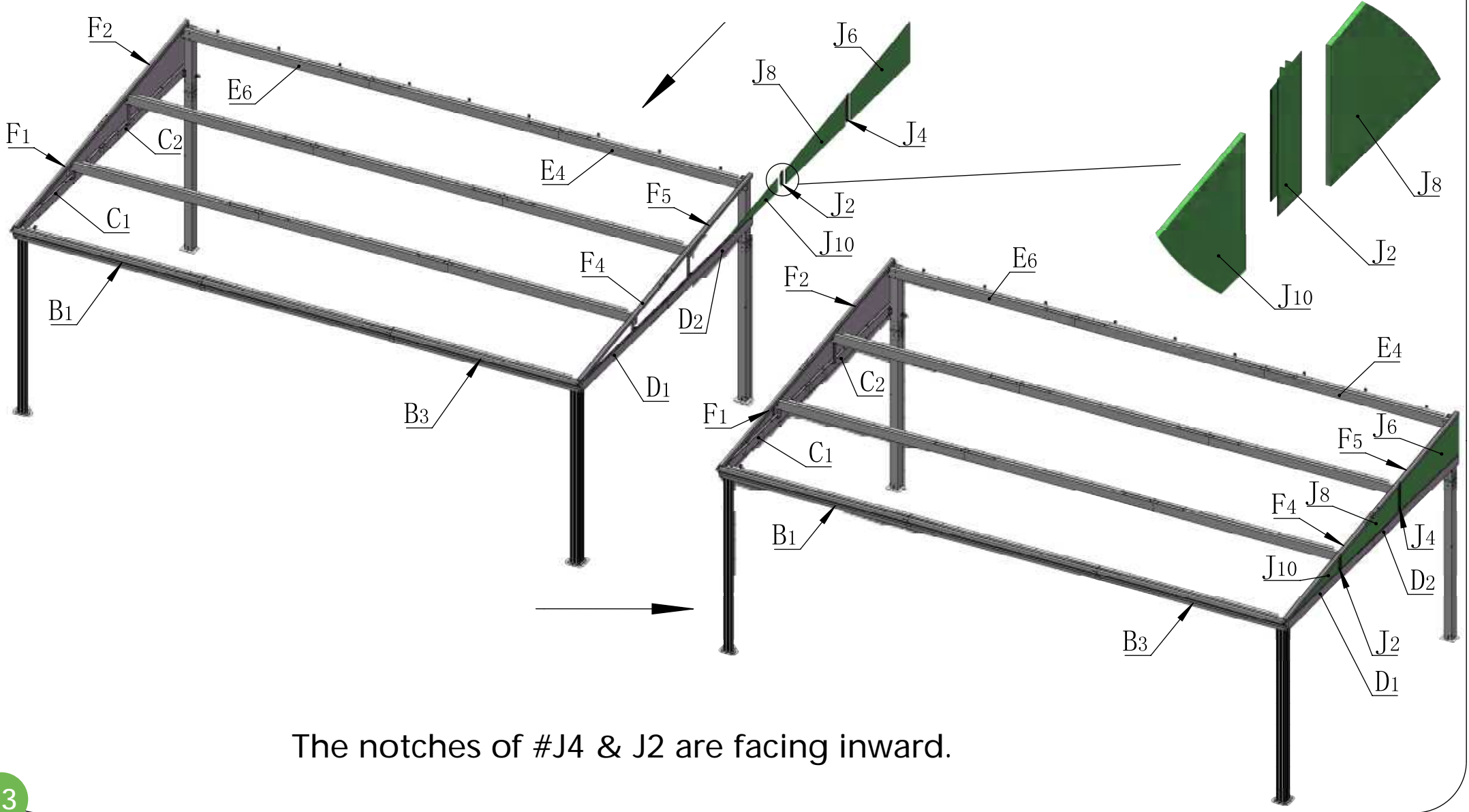
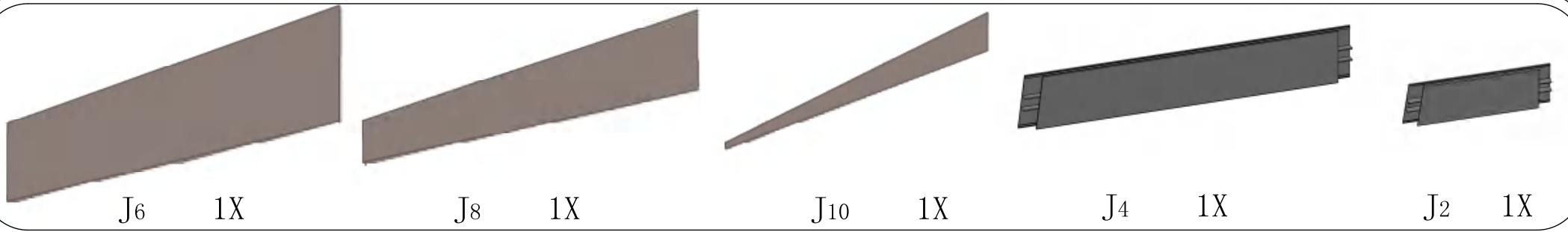


J1 1X

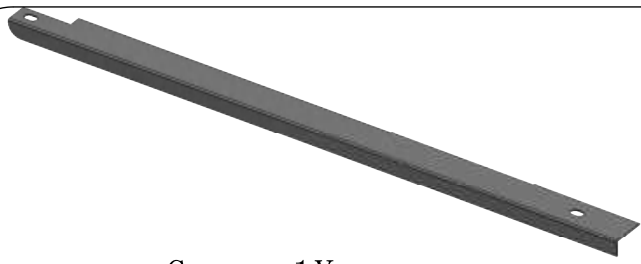


The notches of #J3 & J1 are facing inward.





The notches of #J4 & J2 are facing inward.



G2 1X



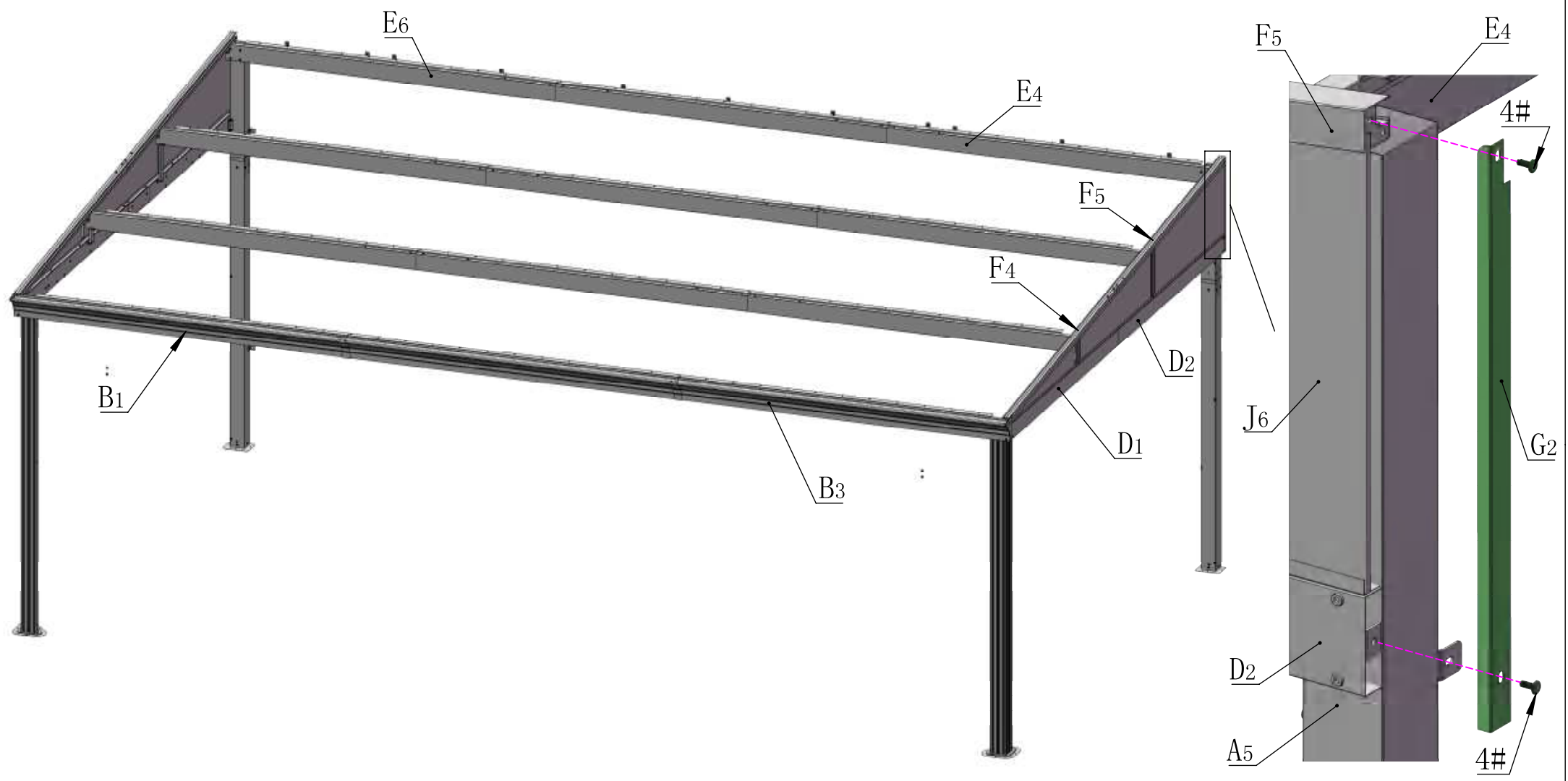
M6*16

4# 2X



S4

23# 1X



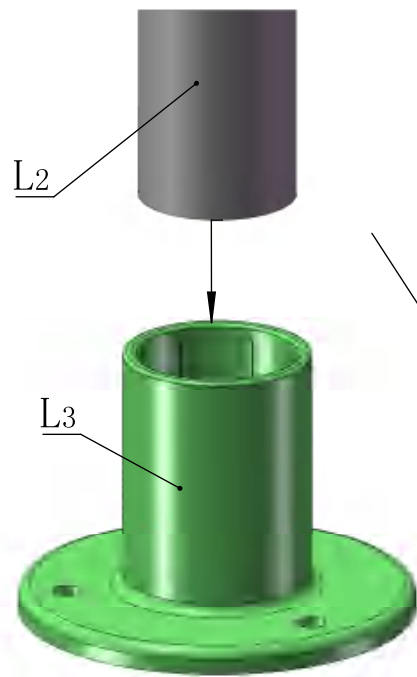


L2 2X

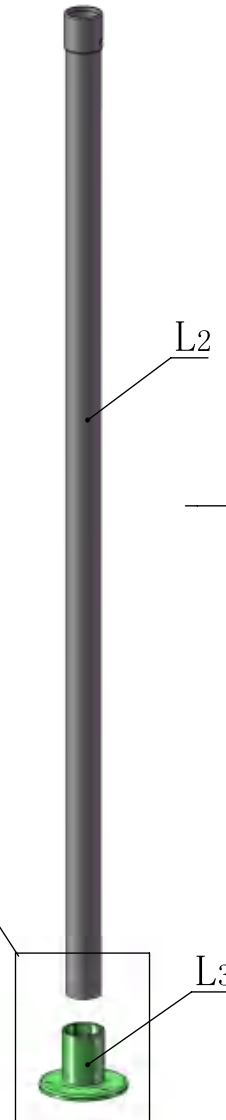


L3 2X

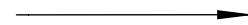
Support Tube Assembly



2X



L2



L2

L3



L1

2X



12#

2X



13#

M8

2X

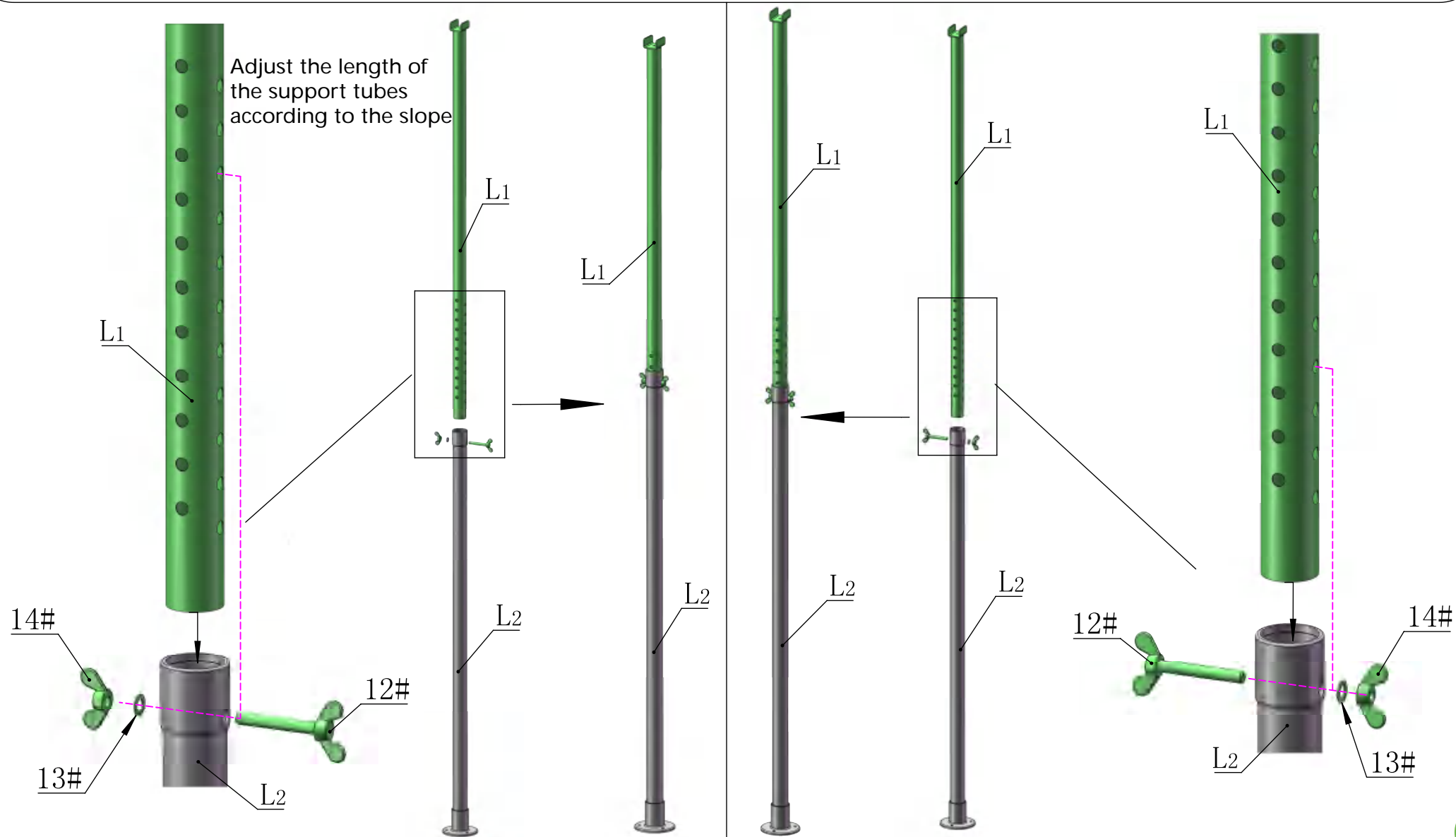


14#

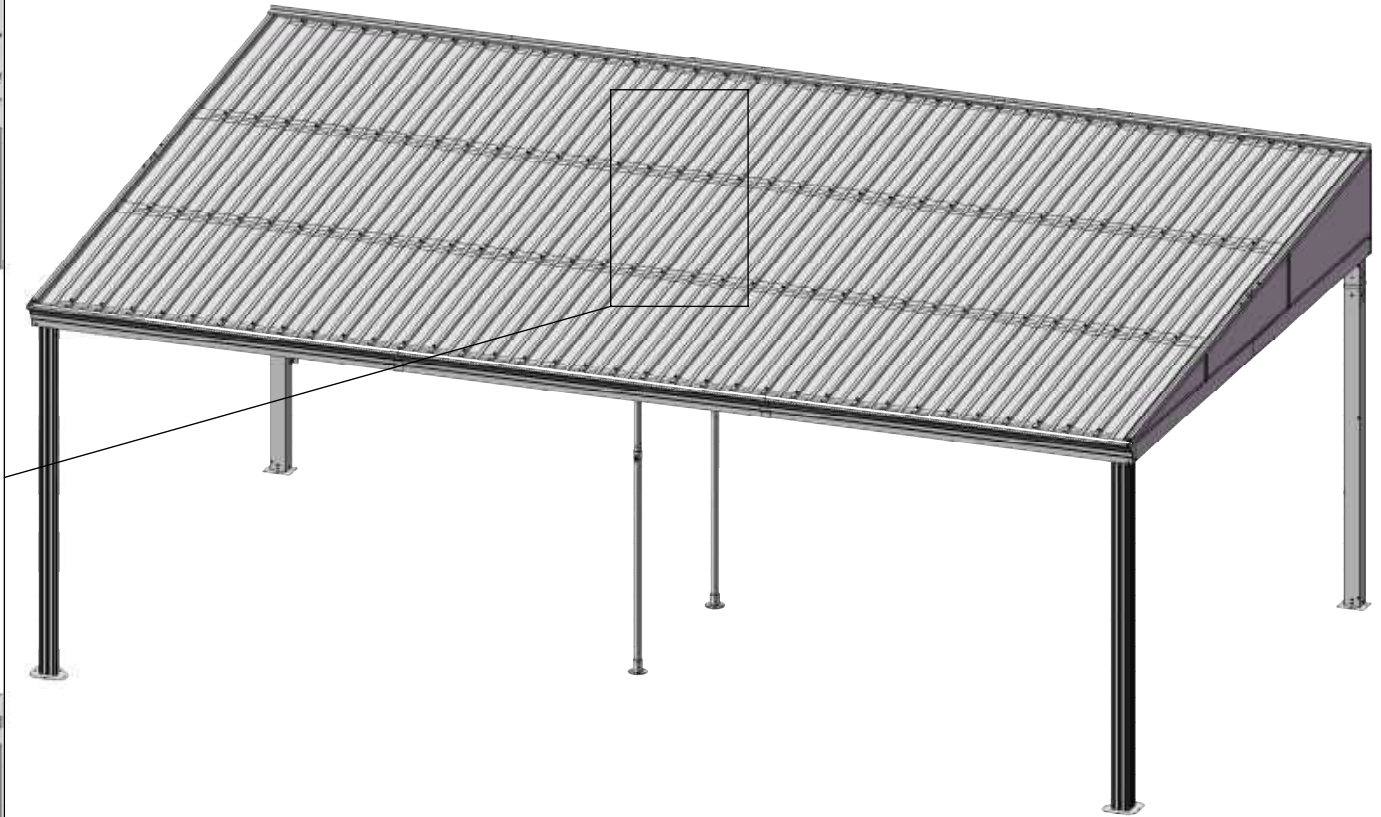
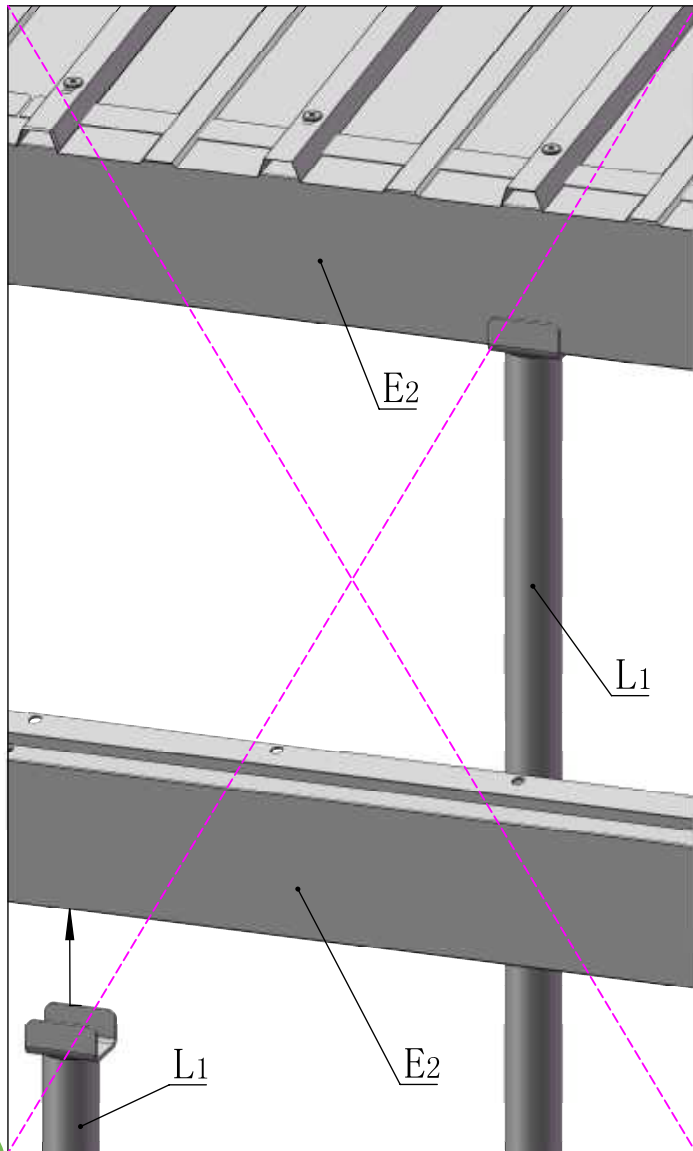
2X

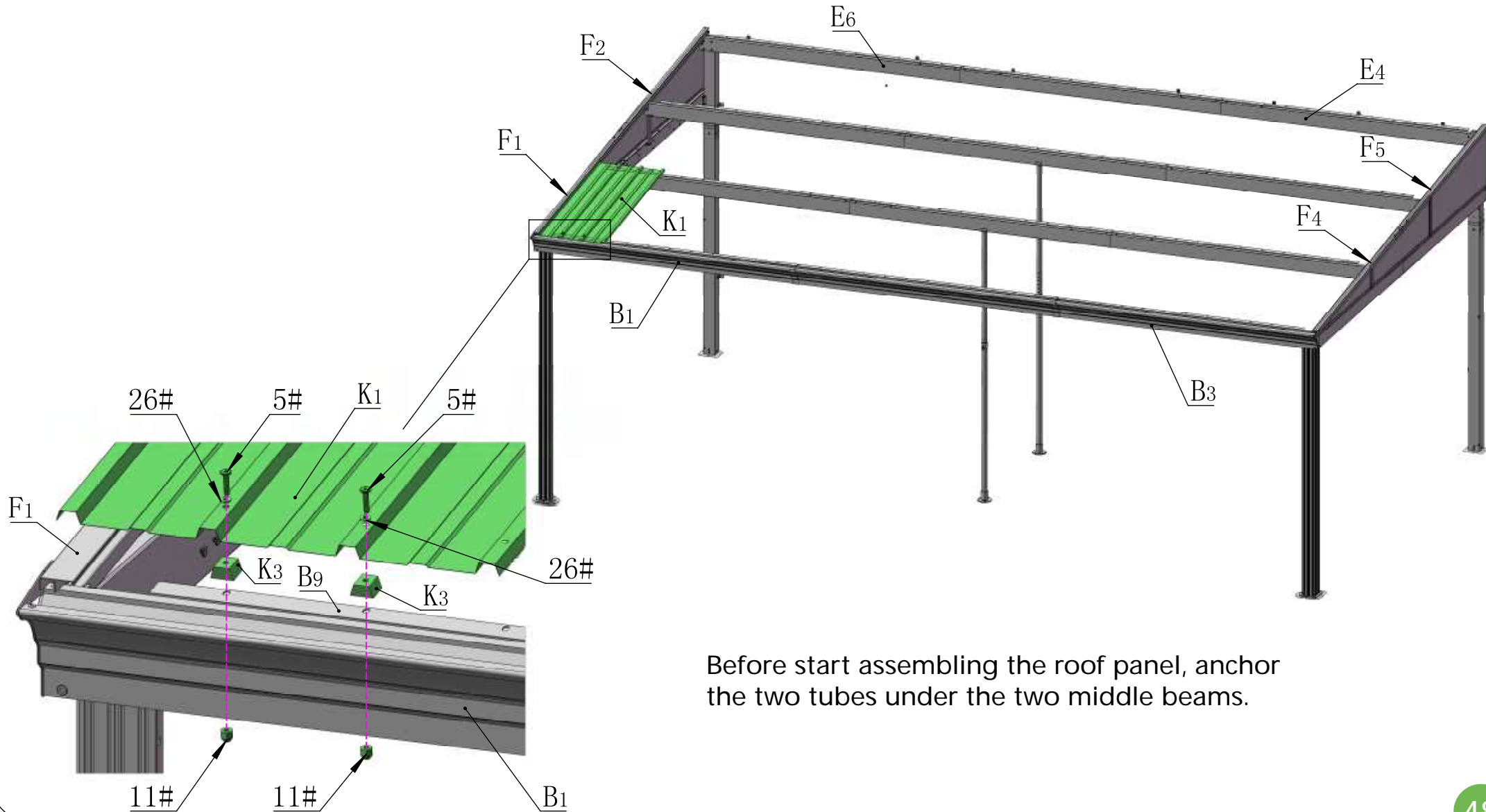
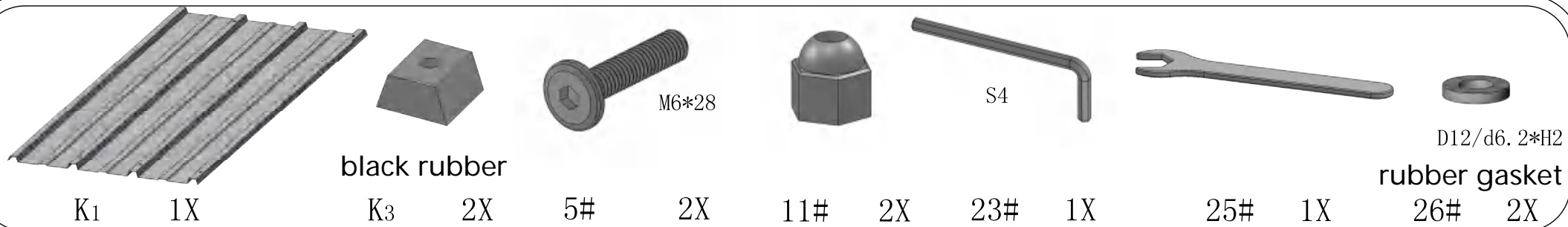
M8

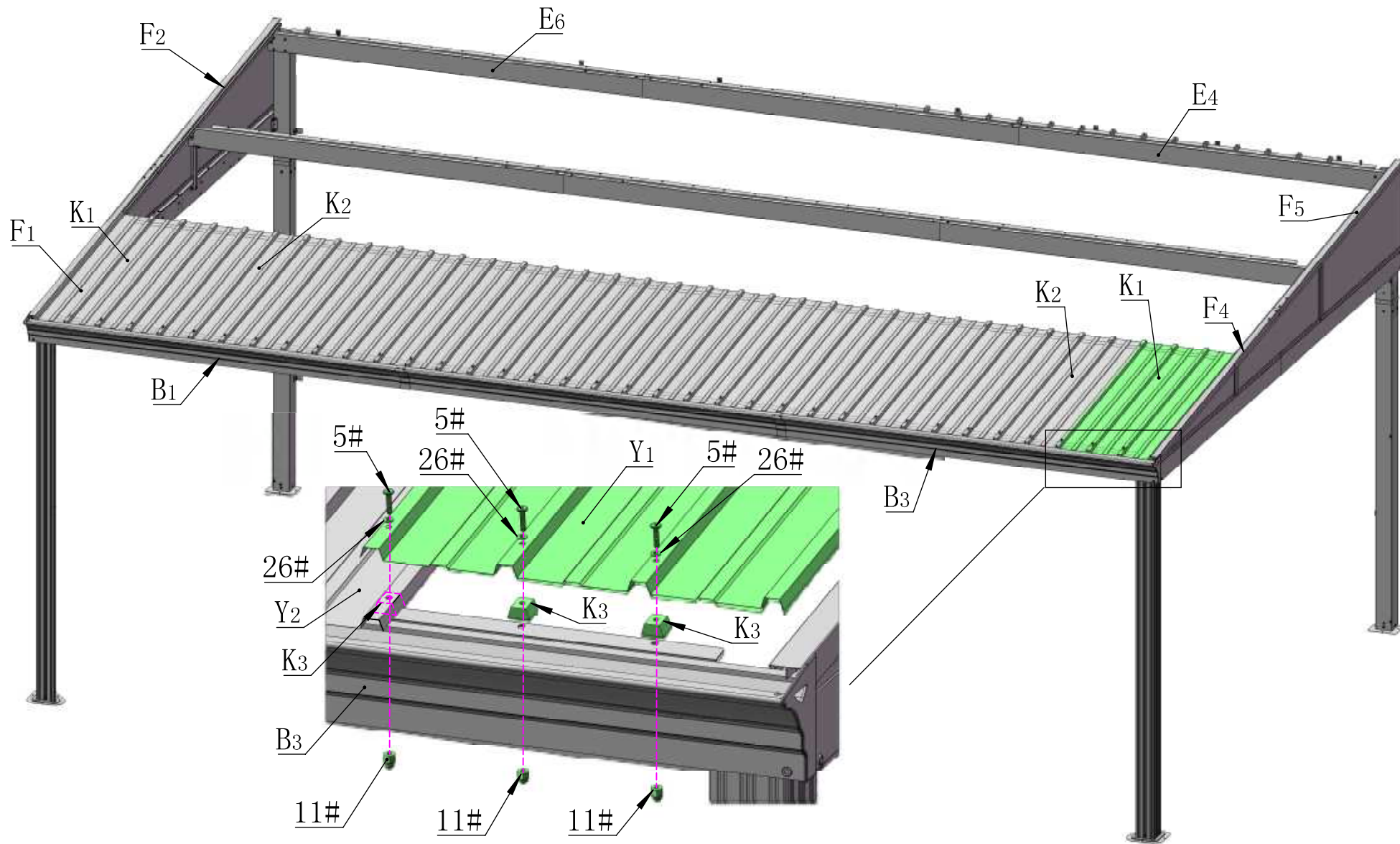
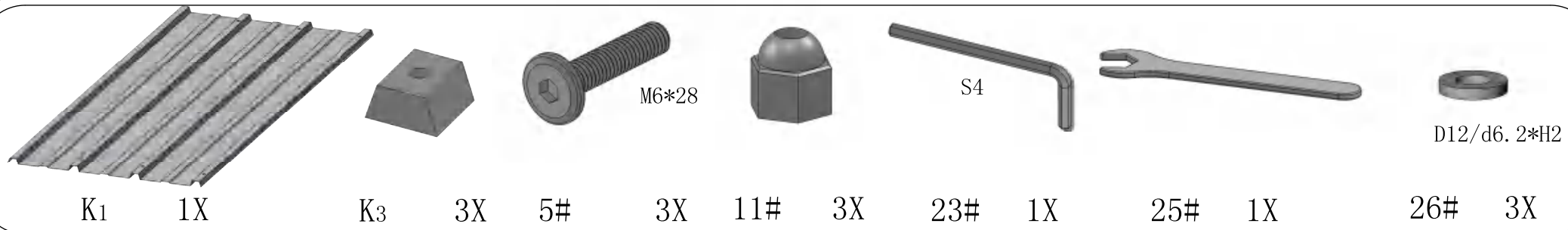
Adjust the length of the support tubes according to the slope

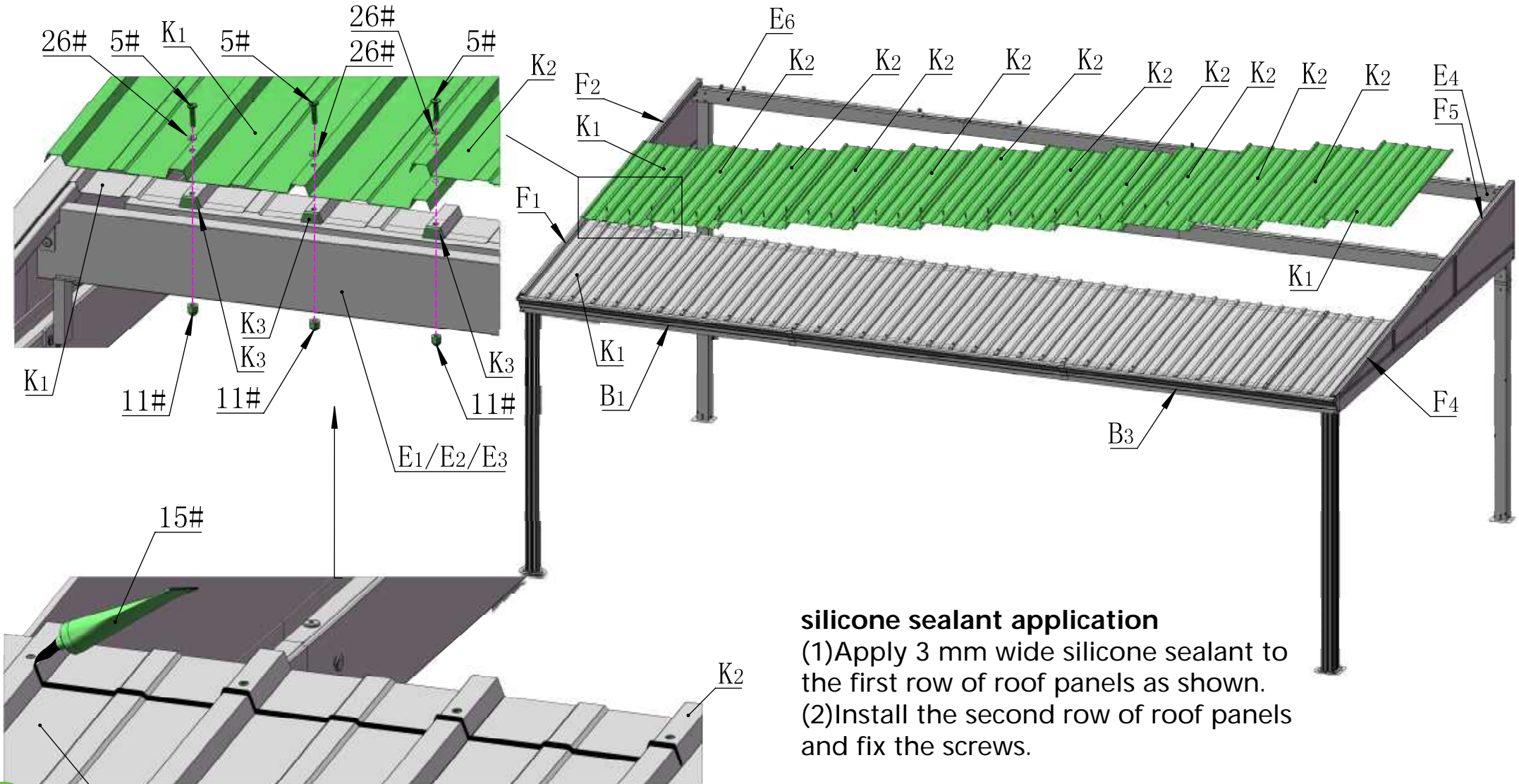
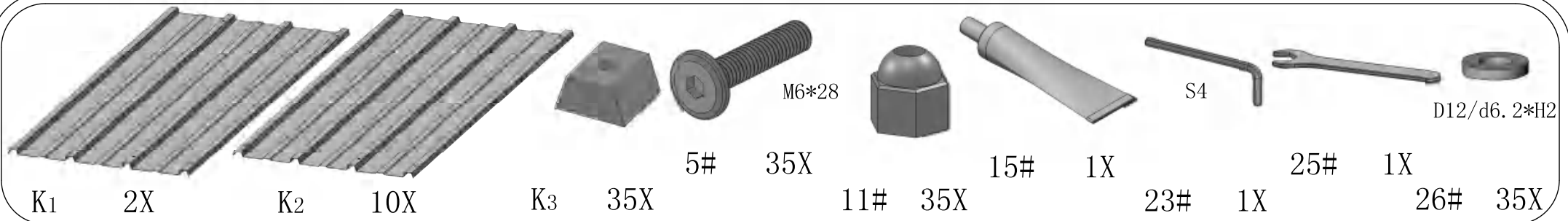


The two support tubes are necessary to ensure the sunroom's security, and please don't remove them. We recommend using self-tapping screws or expansion bolts to anchor the support tubes to the ground.



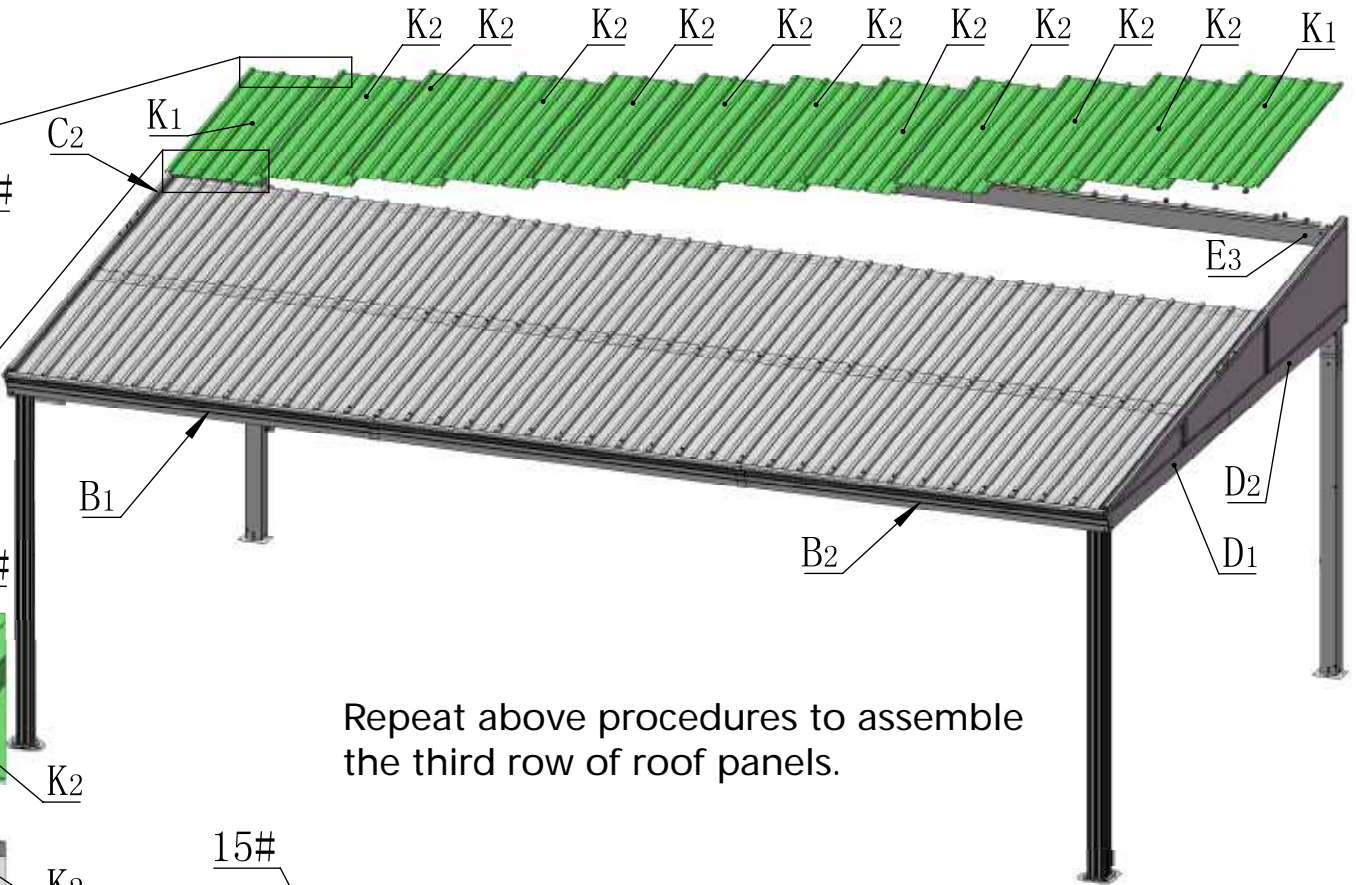
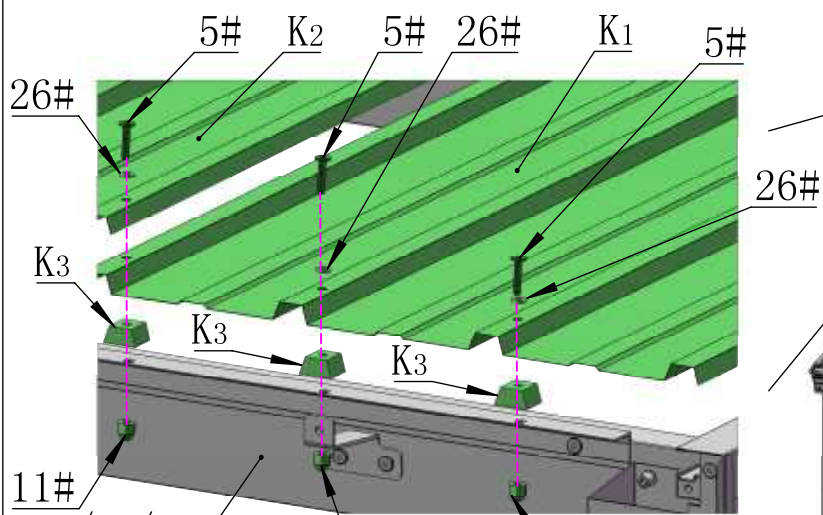
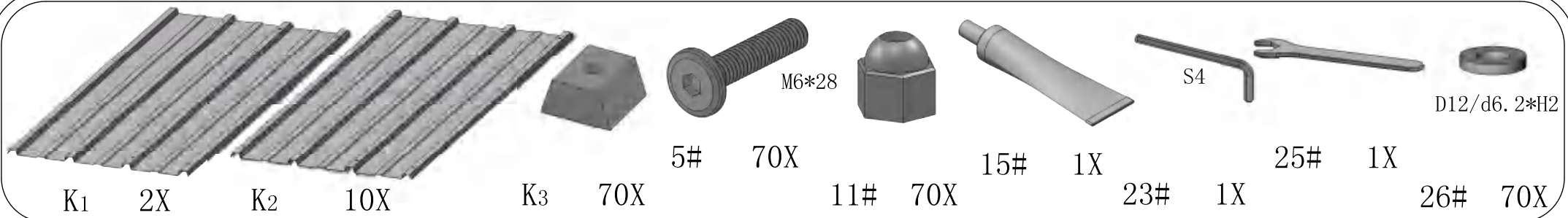




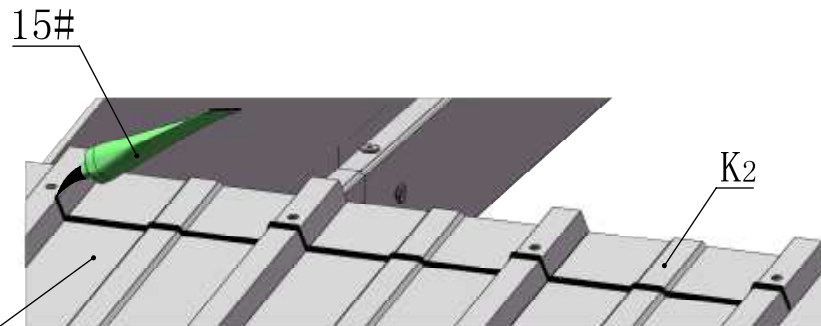
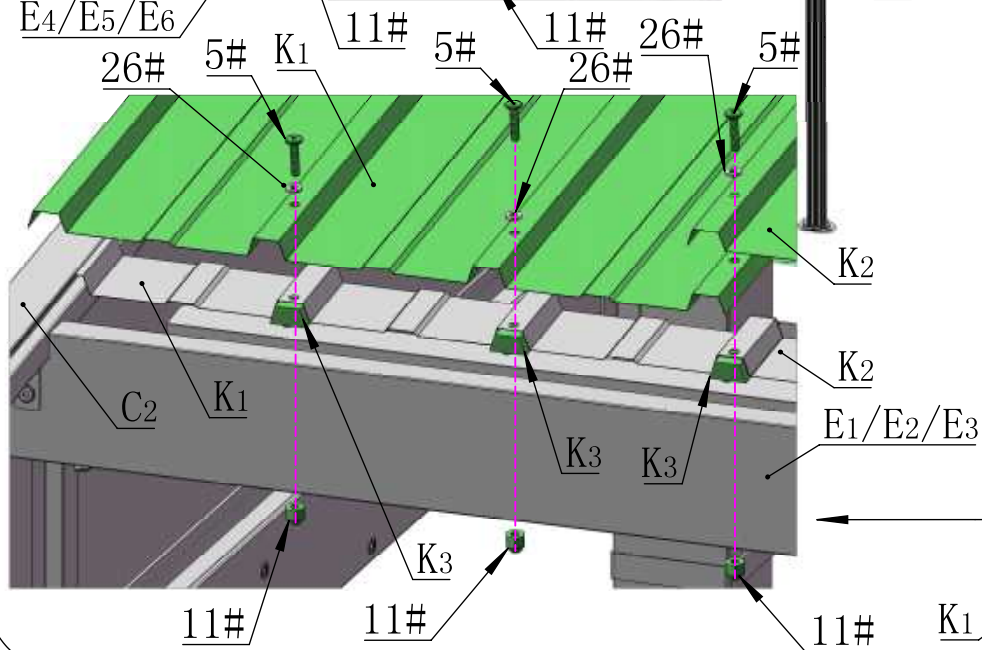


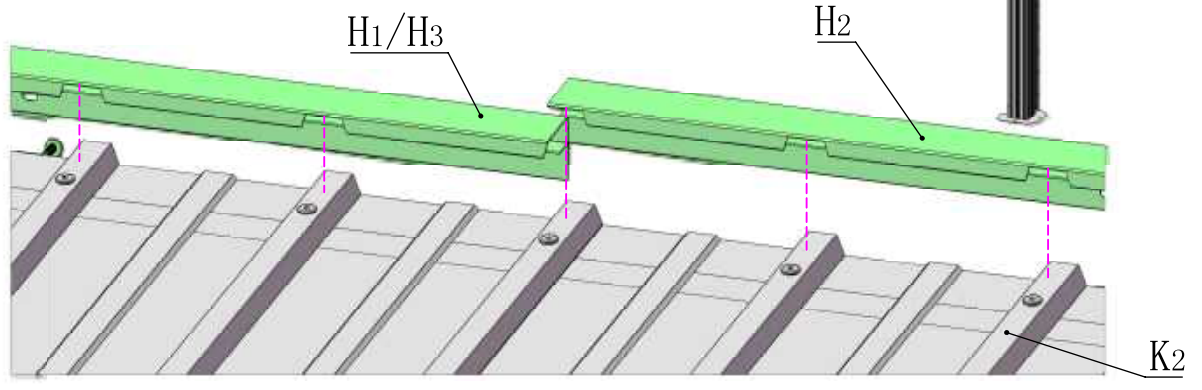
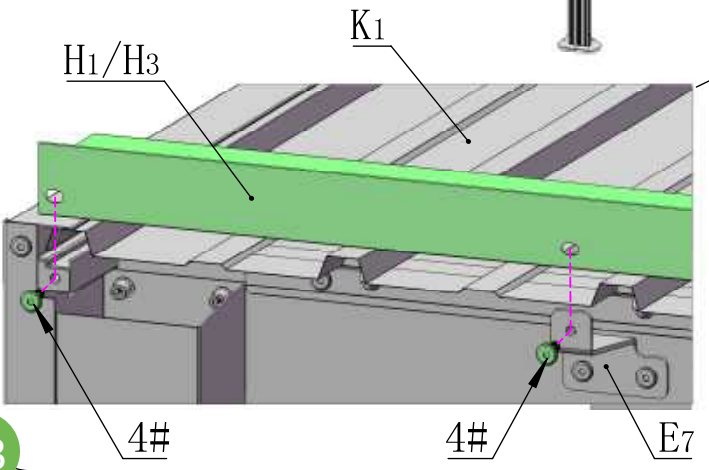
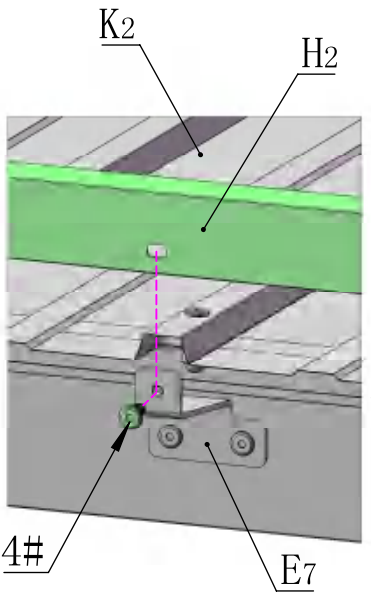
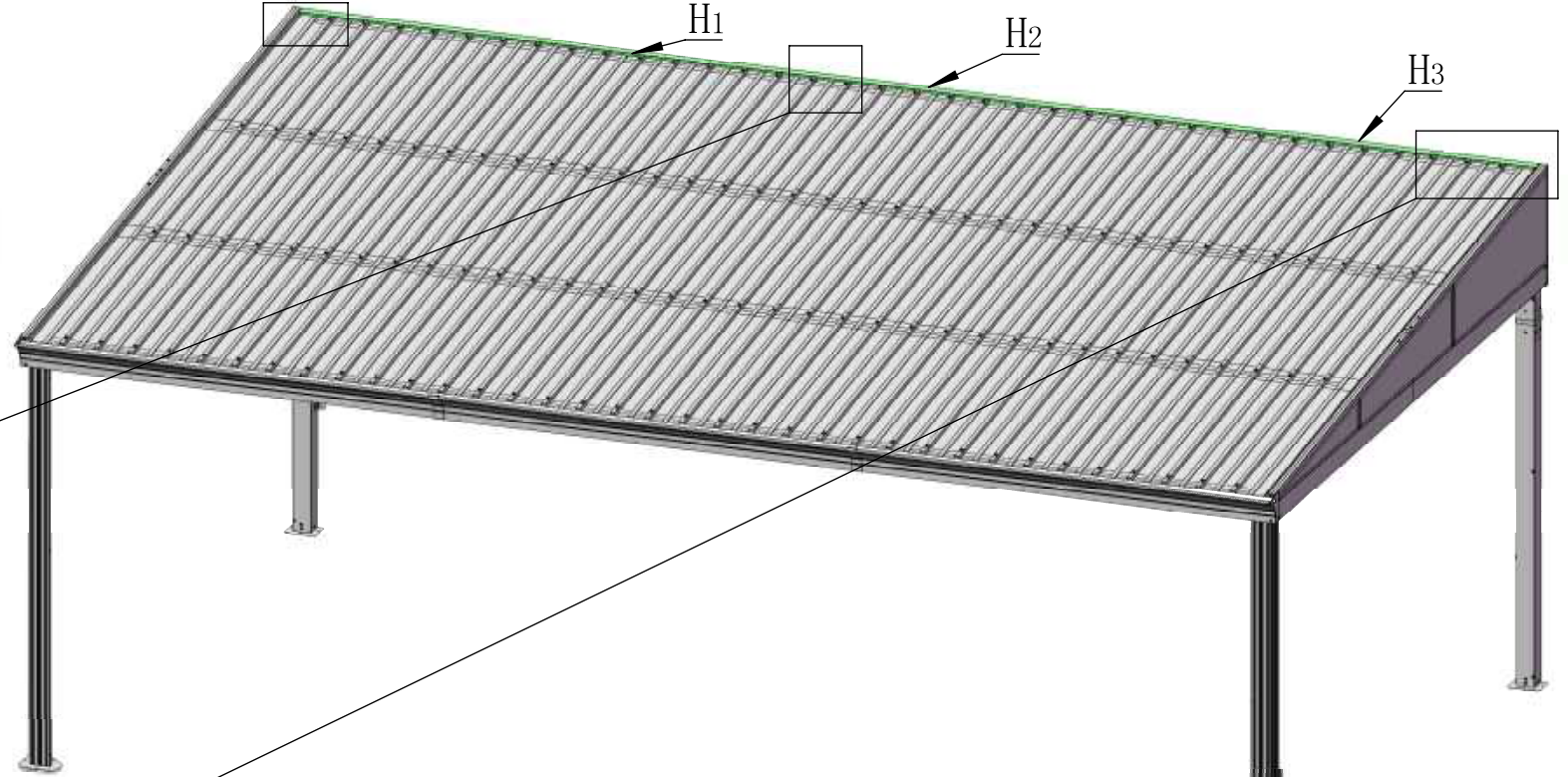
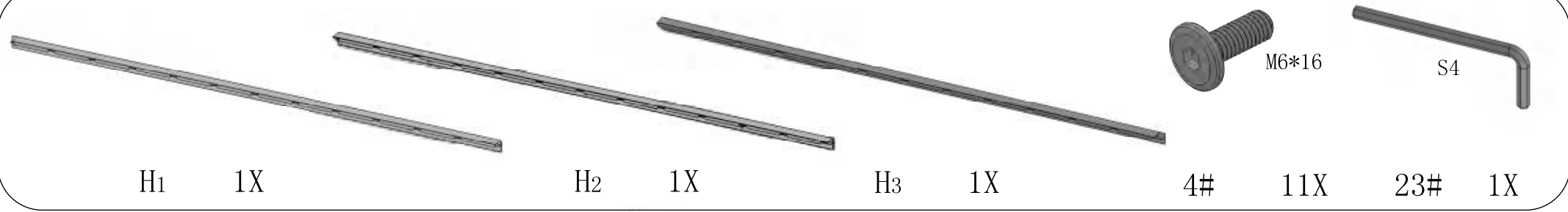
silicone sealant application

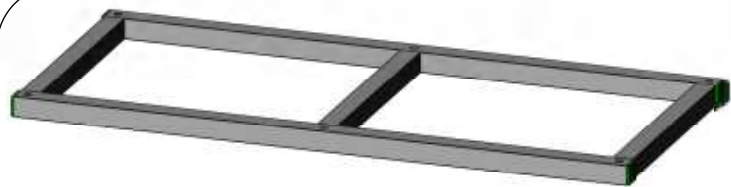
- (1) Apply 3 mm wide silicone sealant to the first row of roof panels as shown.
- (2) Install the second row of roof panels and fix the screws.



Repeat above procedures to assemble the third row of roof panels.







M1 8X



M2 4X



M6*30

3# 16X

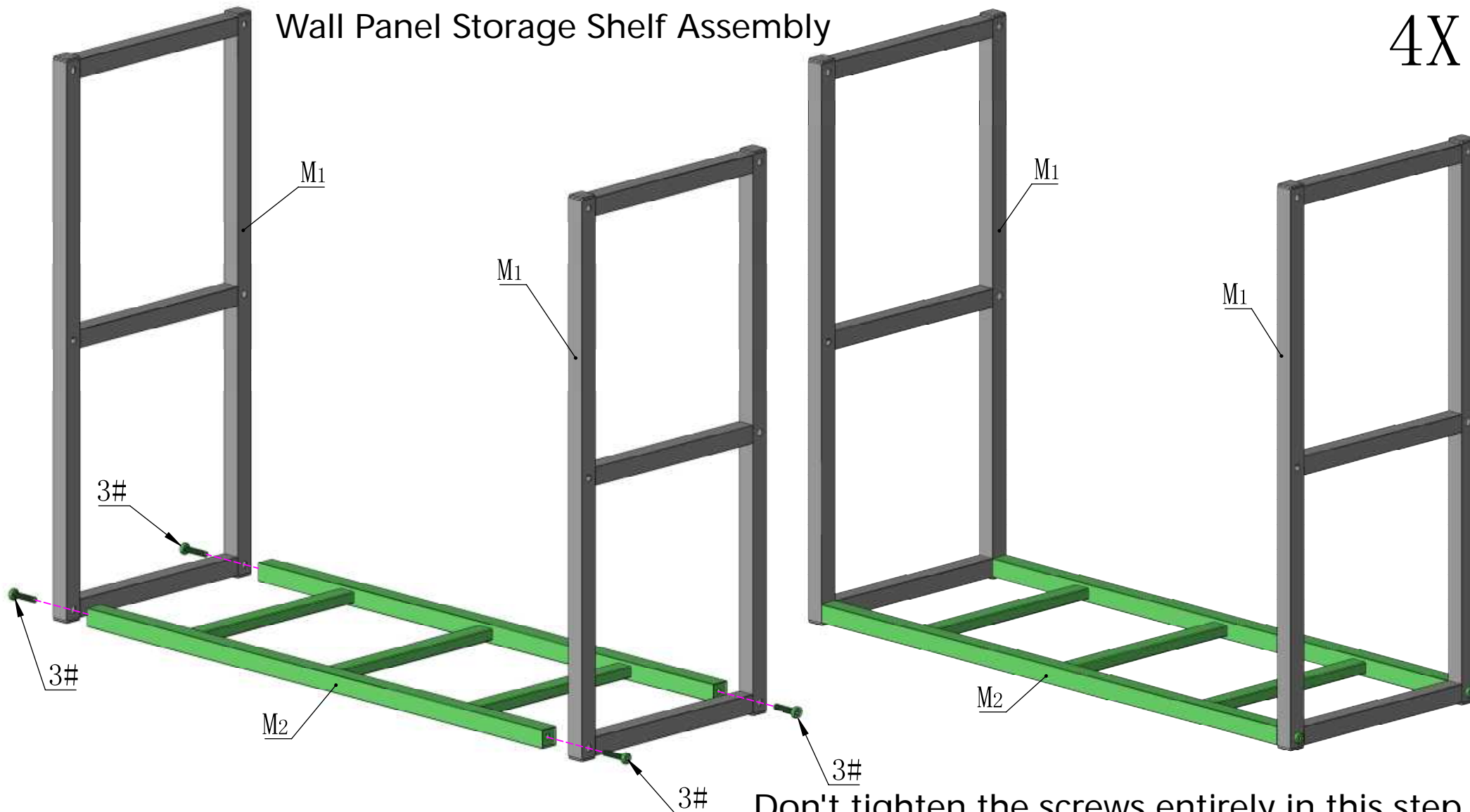


S4

23# 1X

Wall Panel Storage Shelf Assembly

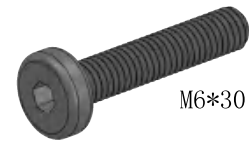
4X



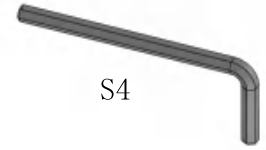
Don't tighten the screws entirely in this step.



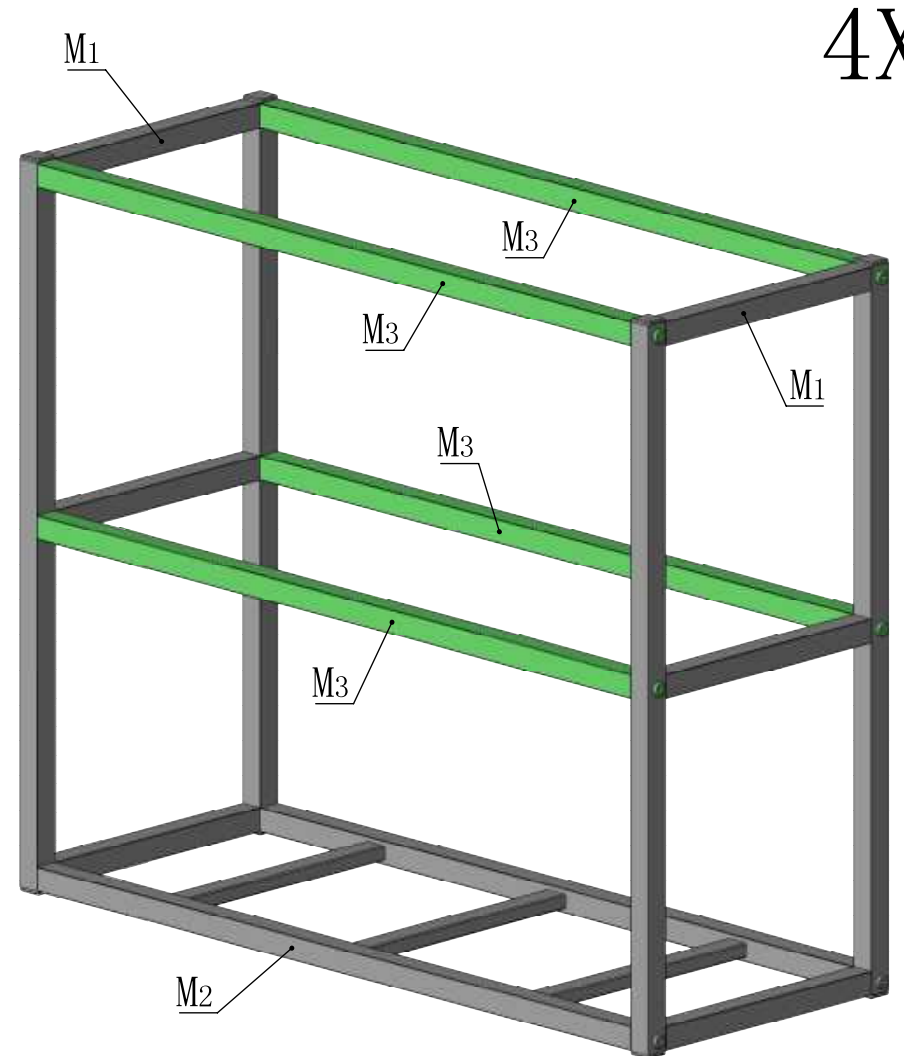
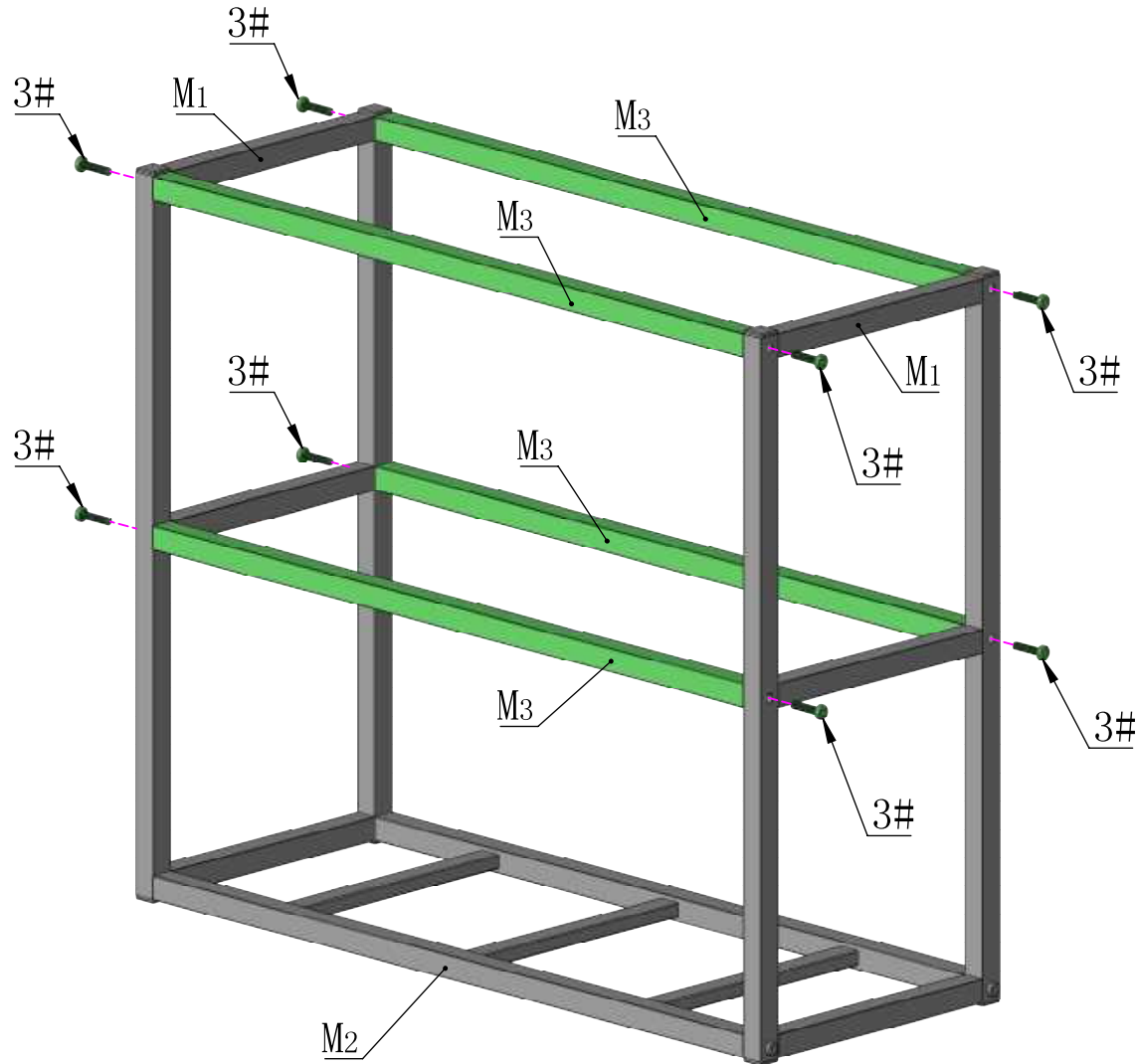
M3 16X



3# 32X



23# 1X



4X

Tighten all the bolts

N₁

1X



N₂

1X

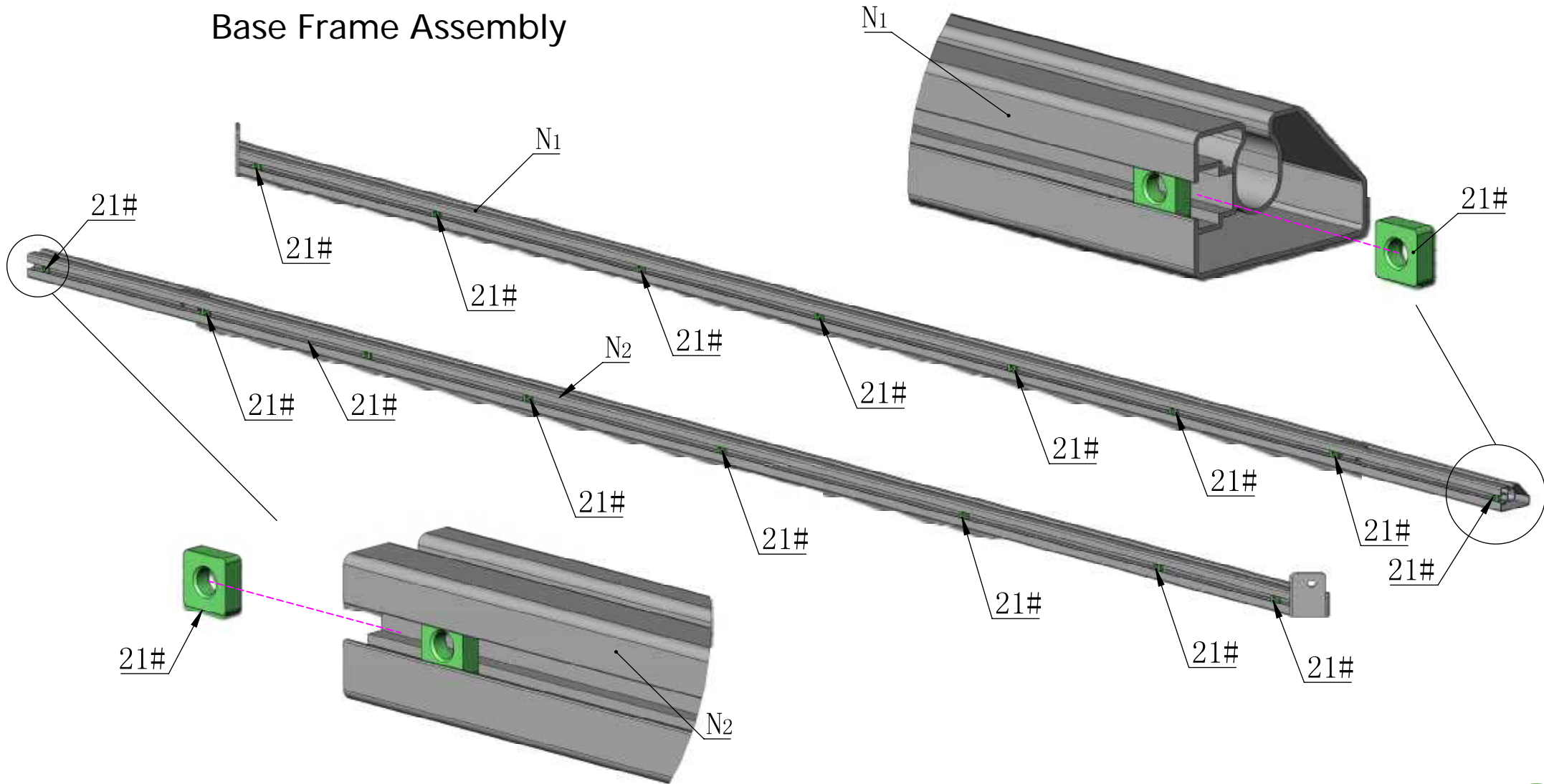


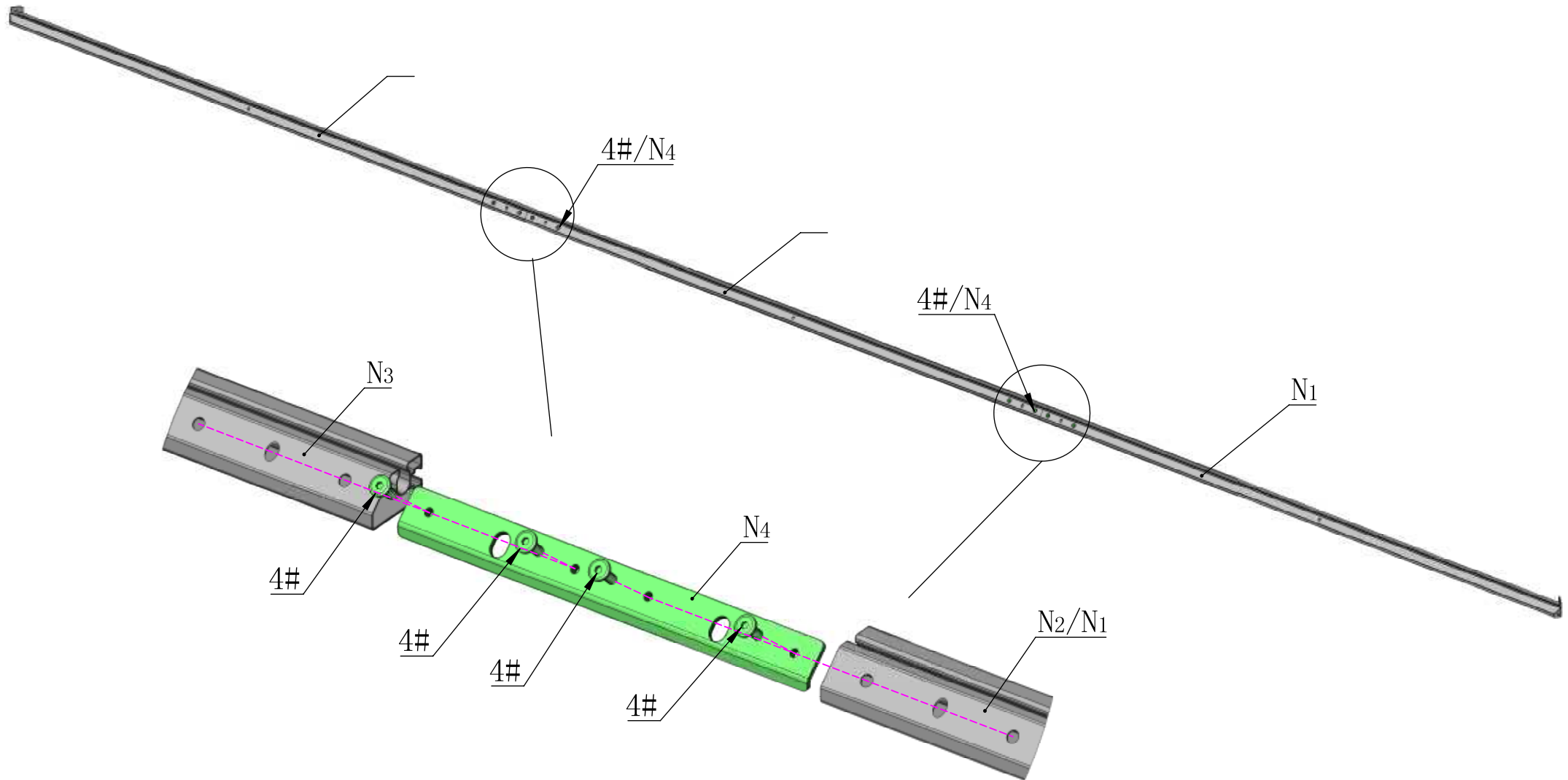
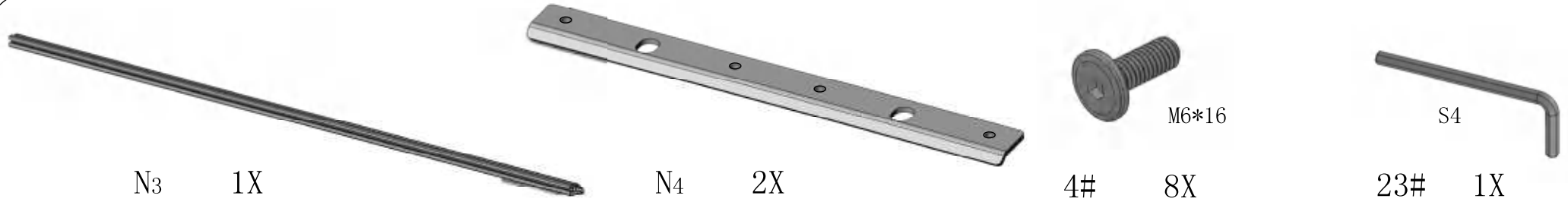
21#

16X



Base Frame Assembly







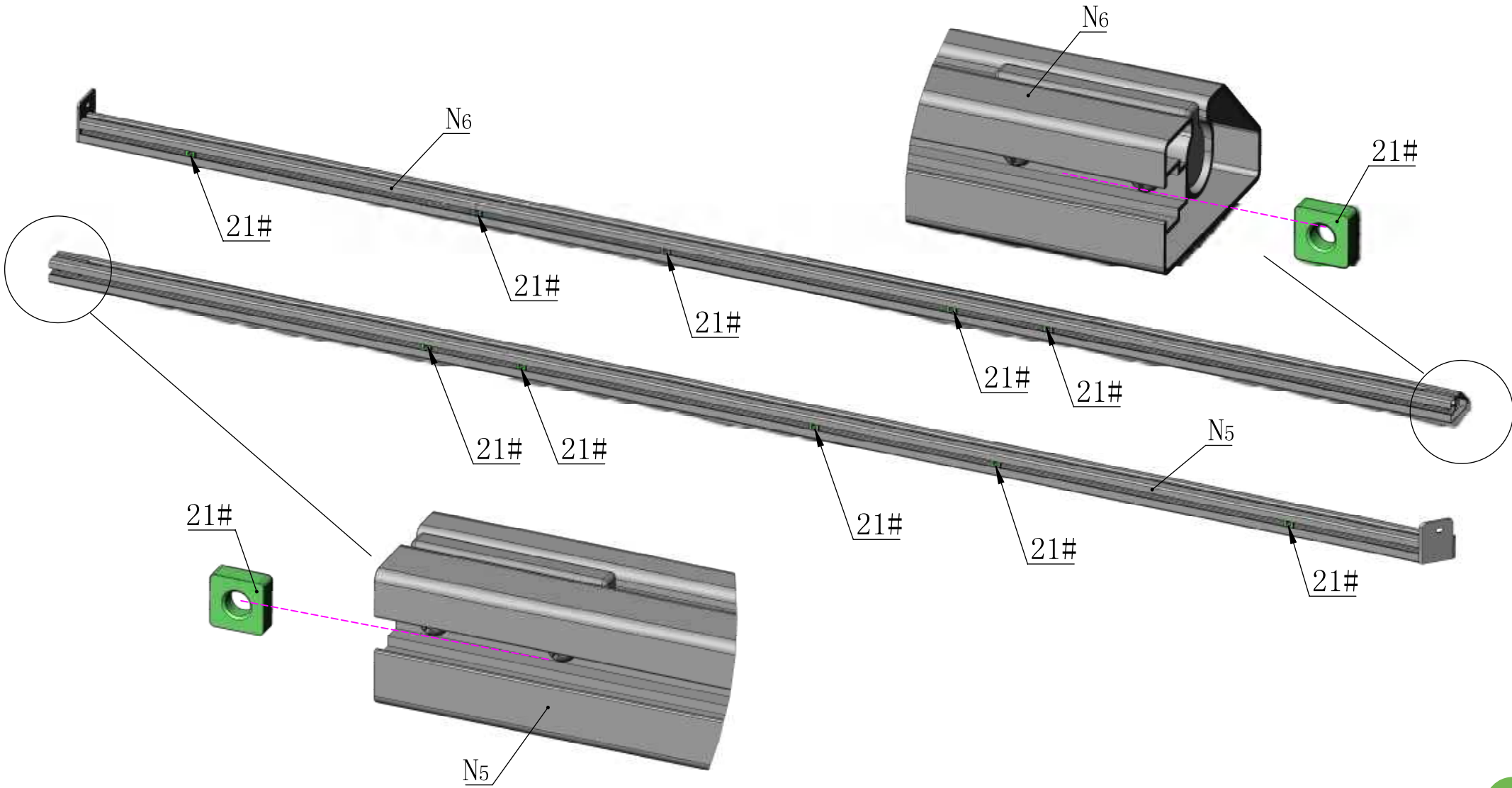
N5 1X



N6 1X



21# 10X





N4 1X



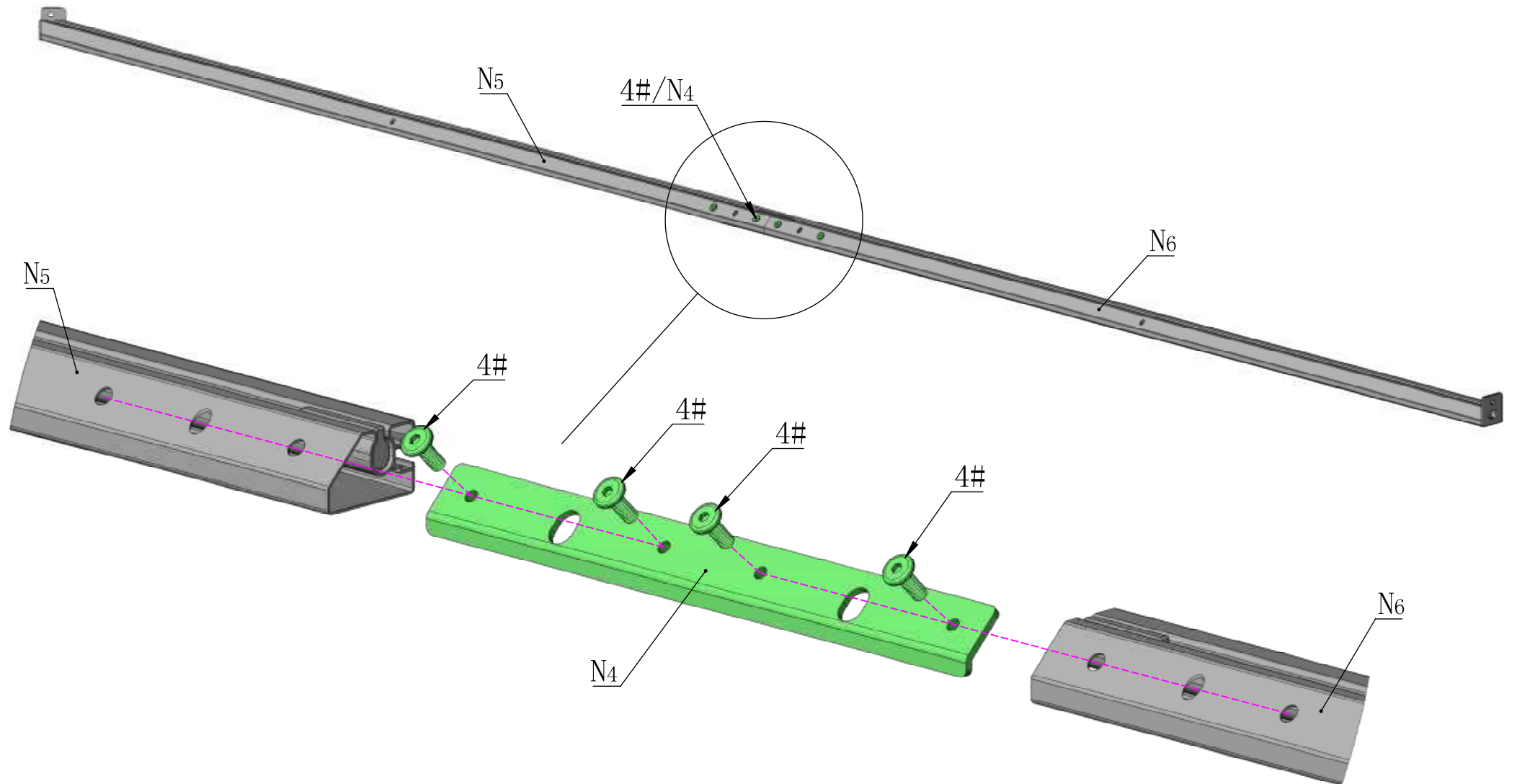
M6*16

4# 4X



S4

23# 1X





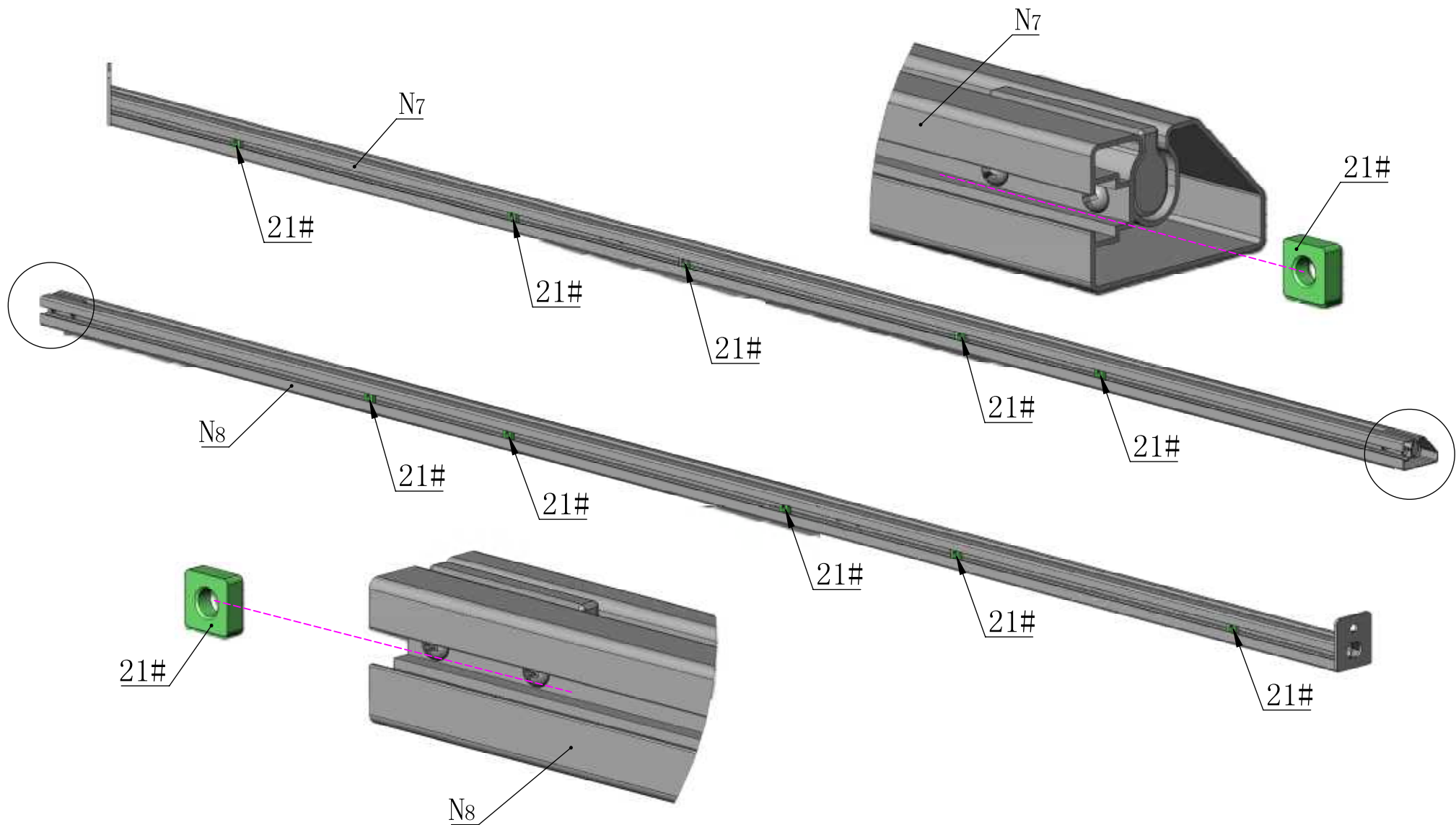
N7 1X



N8 1X



21# 10X





N4 1X



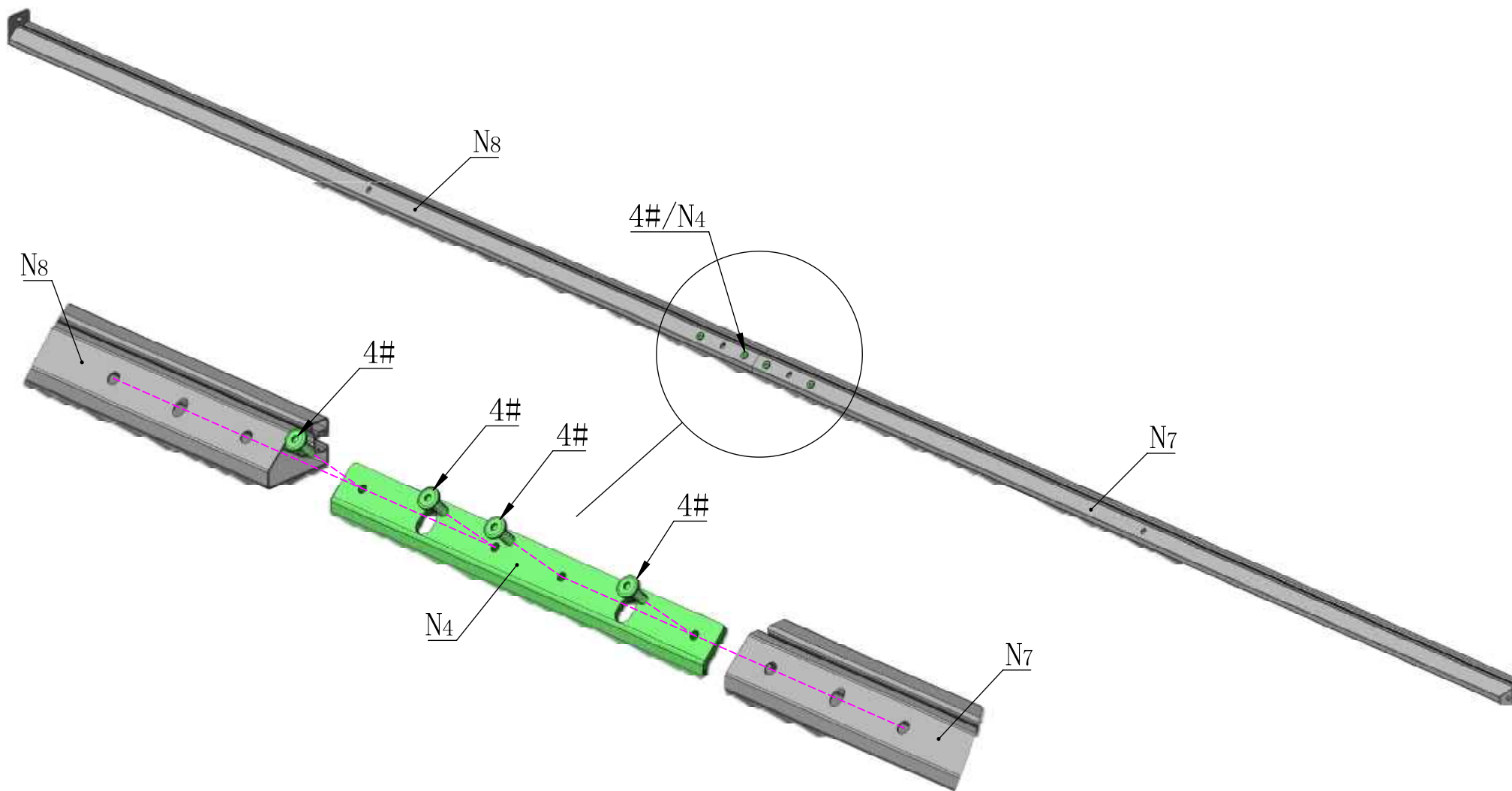
M6*16

4# 4X



S4

23# 1X

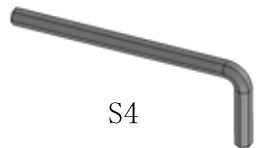




M6*16

4#

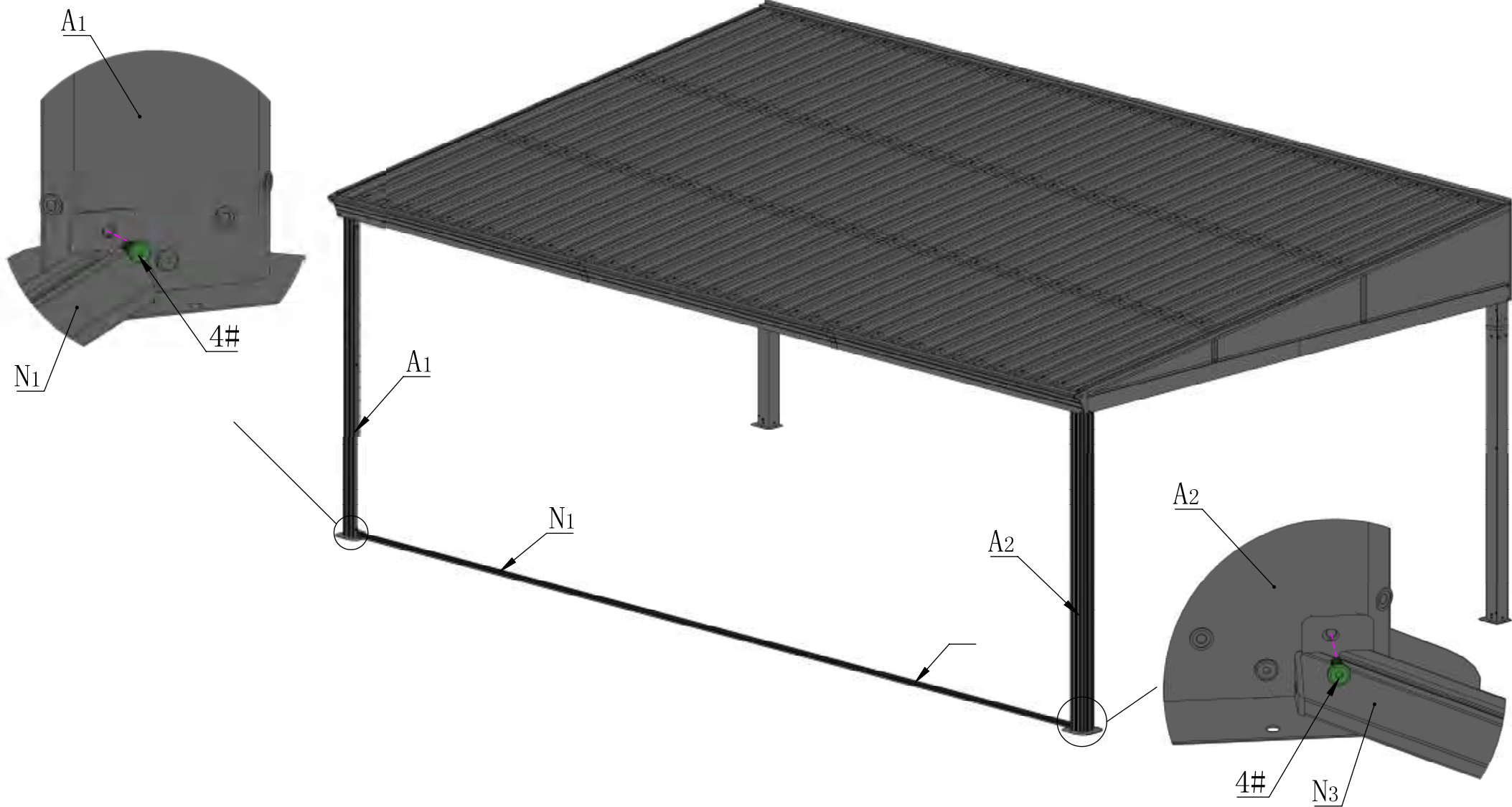
2X



S4

23#

1X

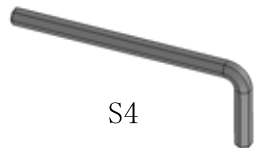




M6*16

4#

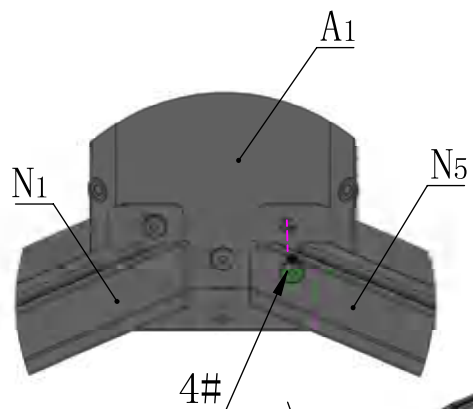
4X



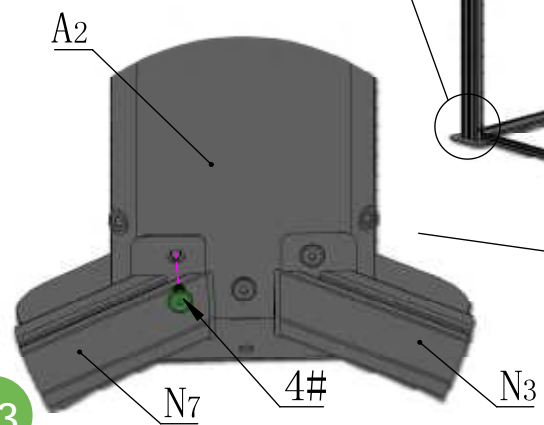
S4

23#

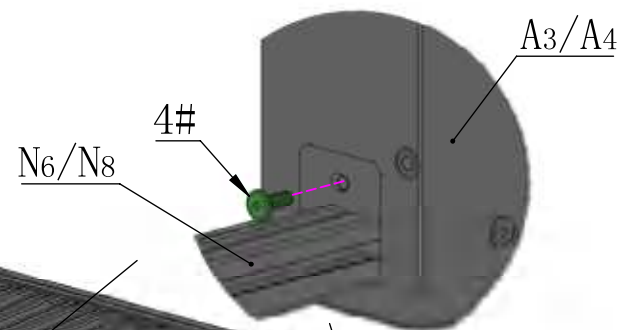
1X



4#



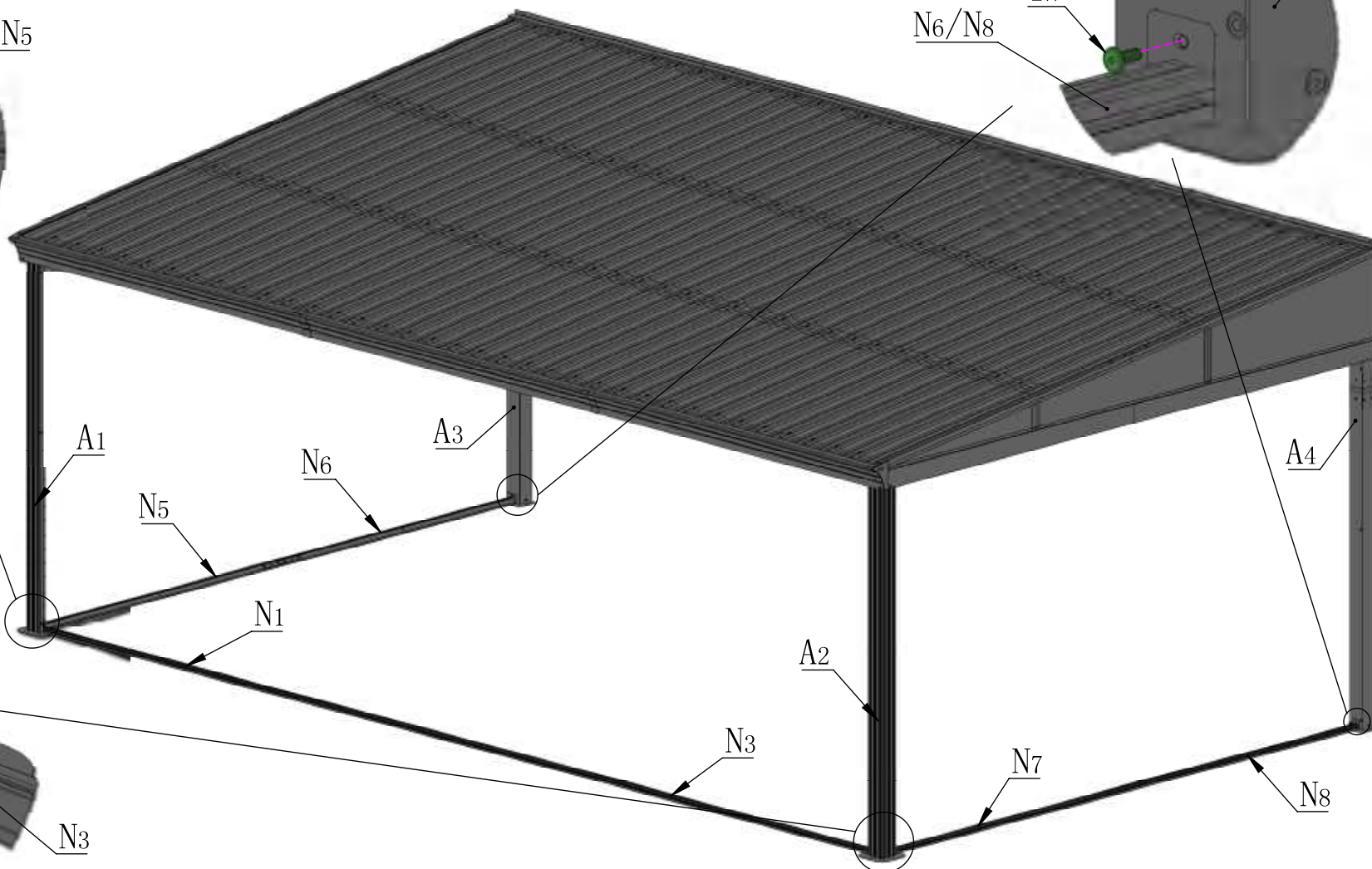
4#



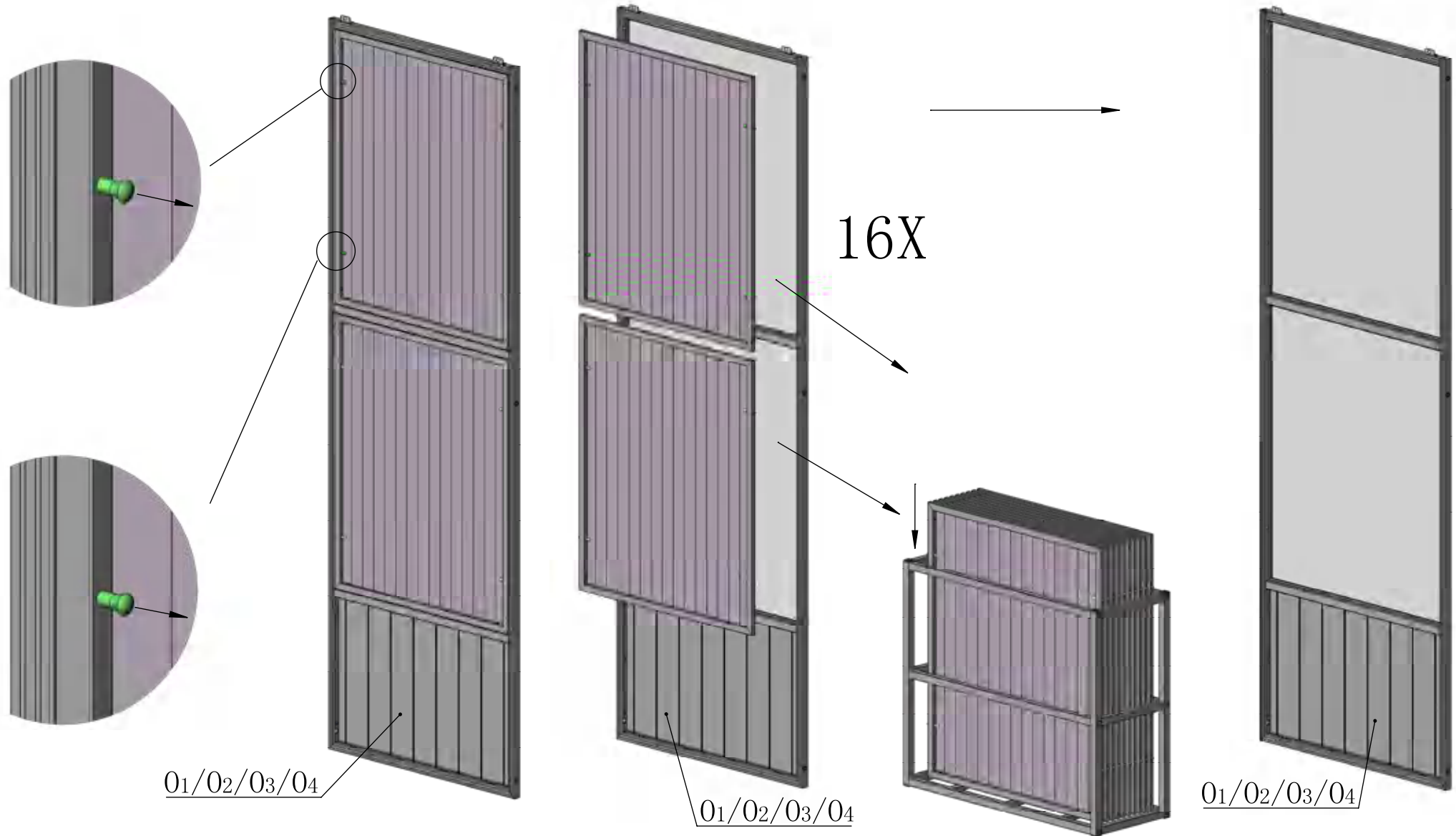
4#

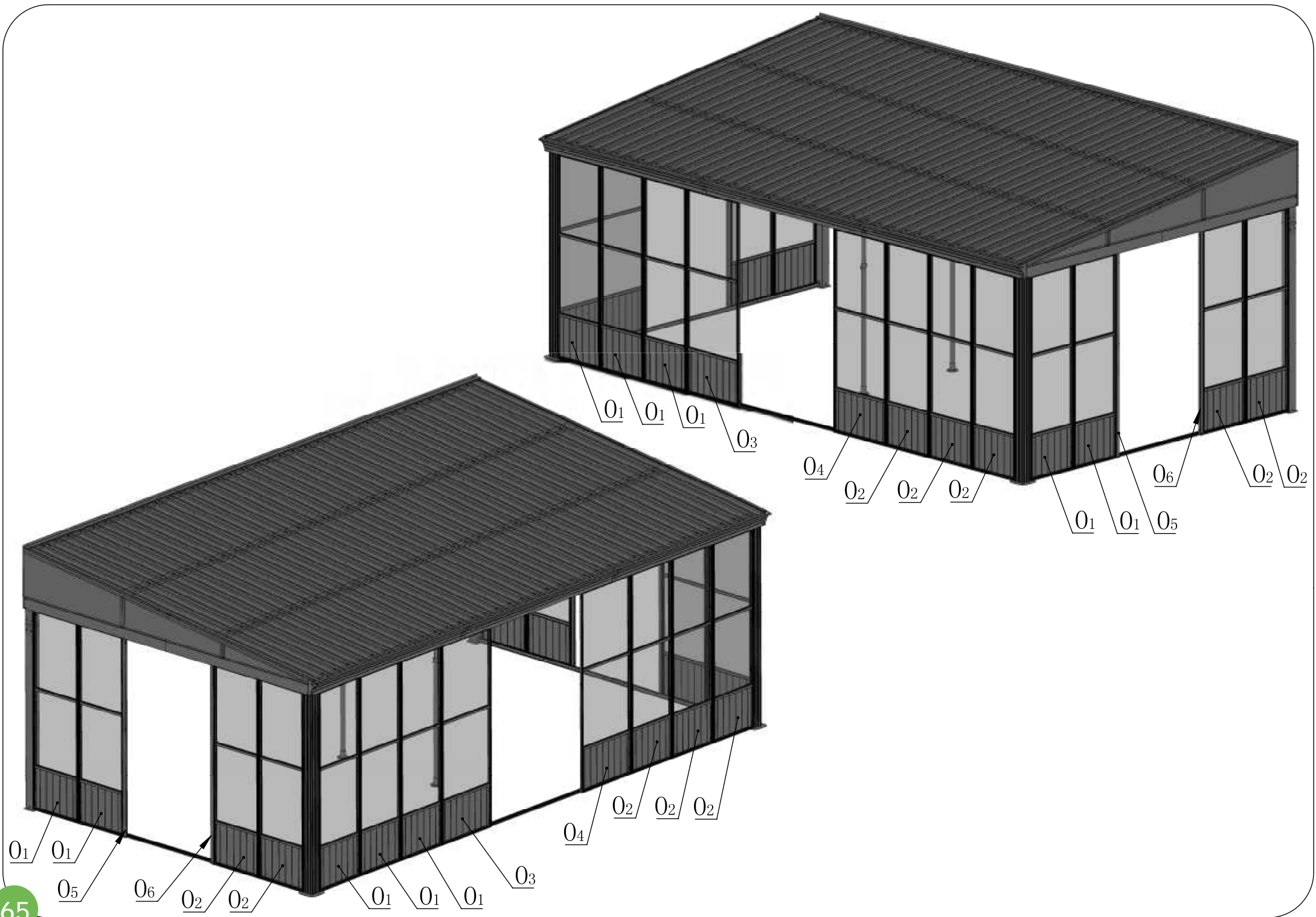
N6/N8

A3/A4



Please remove the windows screens **BEFORE** assembling the wall panel.







M6*28

5#

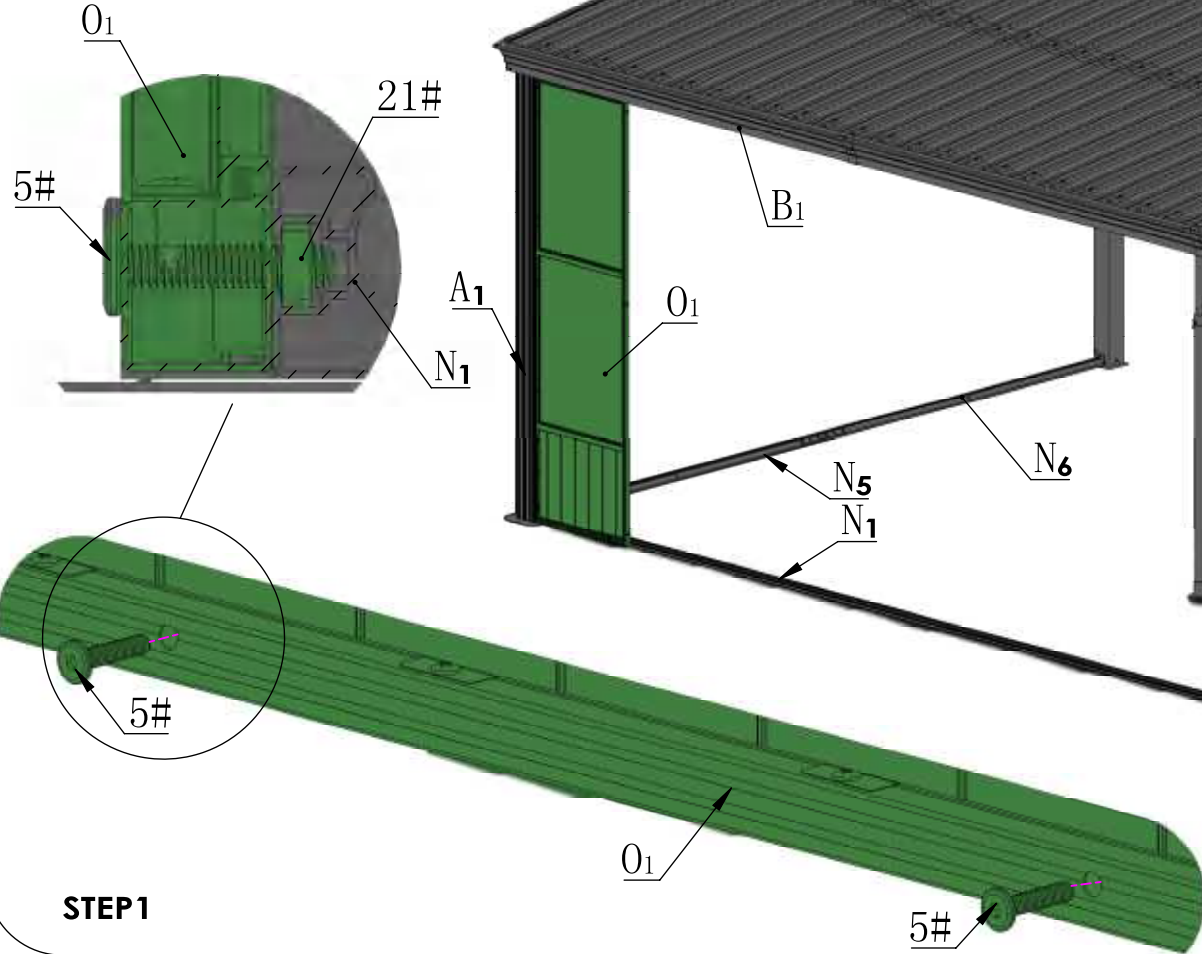
2X



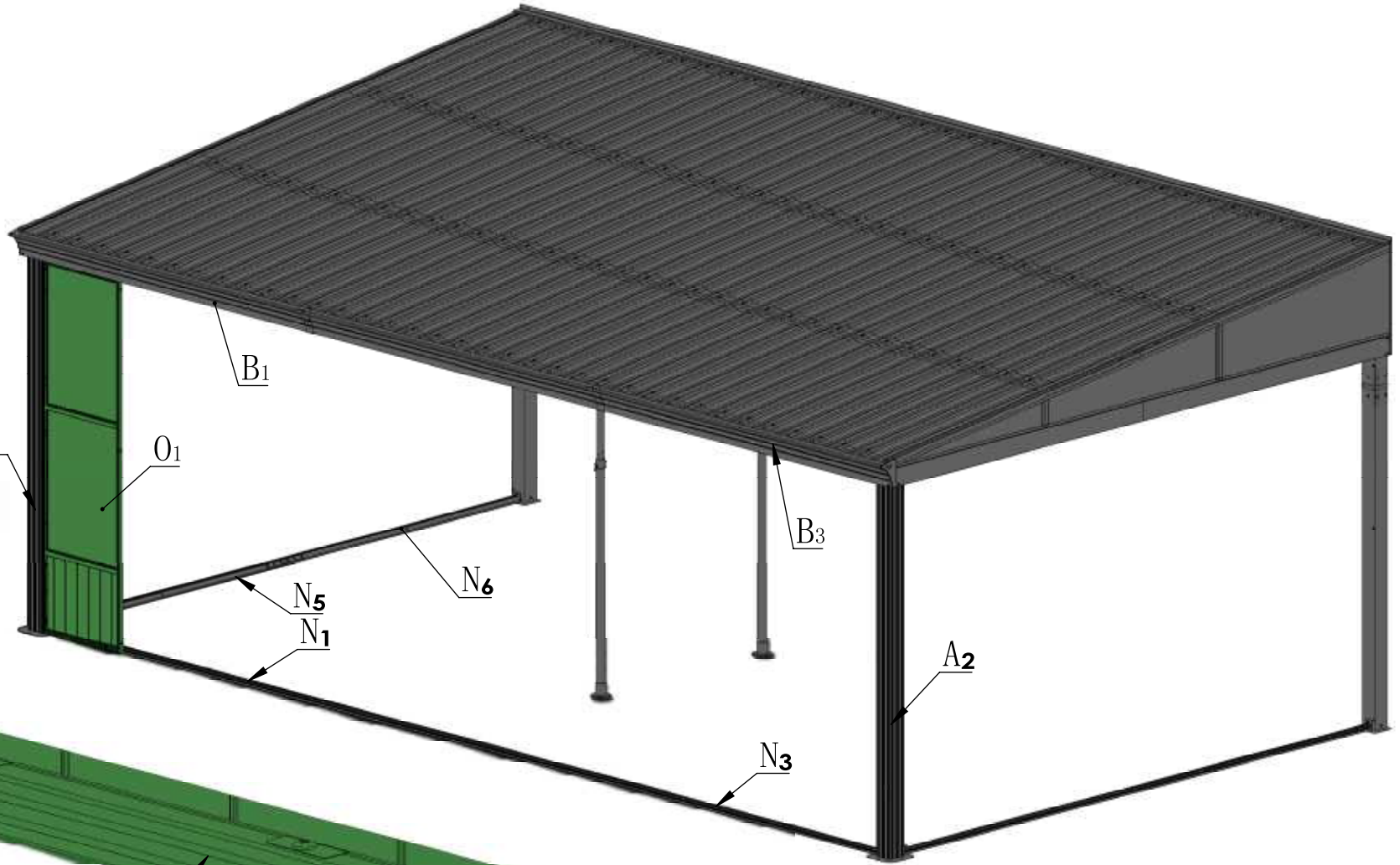
S4

23#

1X



STEP 1



Attention: Assemble according to the sequence of steps; align the holes, tighten each screw after all screws are positioned. Always tighten screw 5# to metal square nuts 21# first.



M6*30

16# 3X

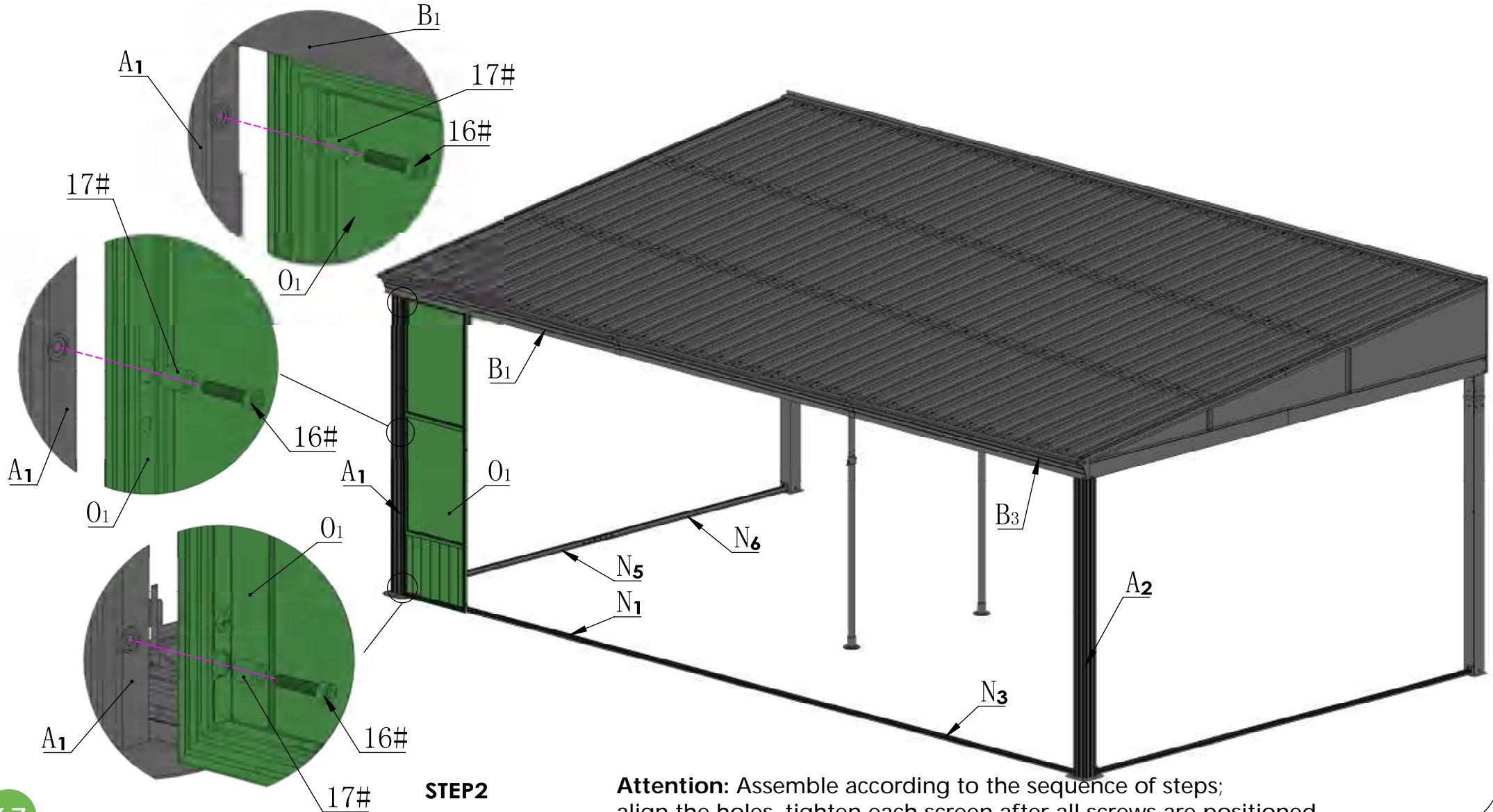


17# 3X



S5

24# 1X





M6*16

4#

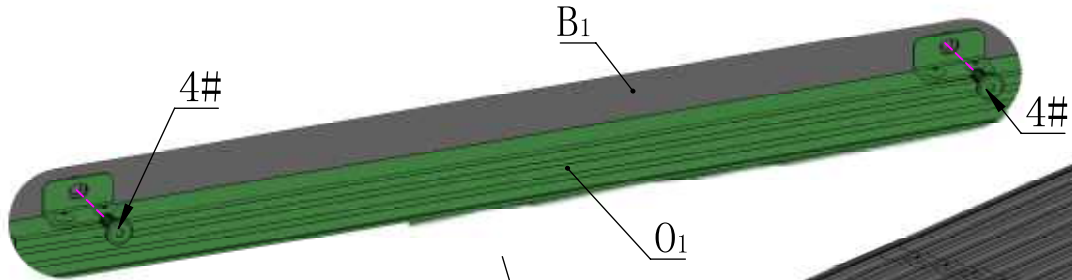
2X



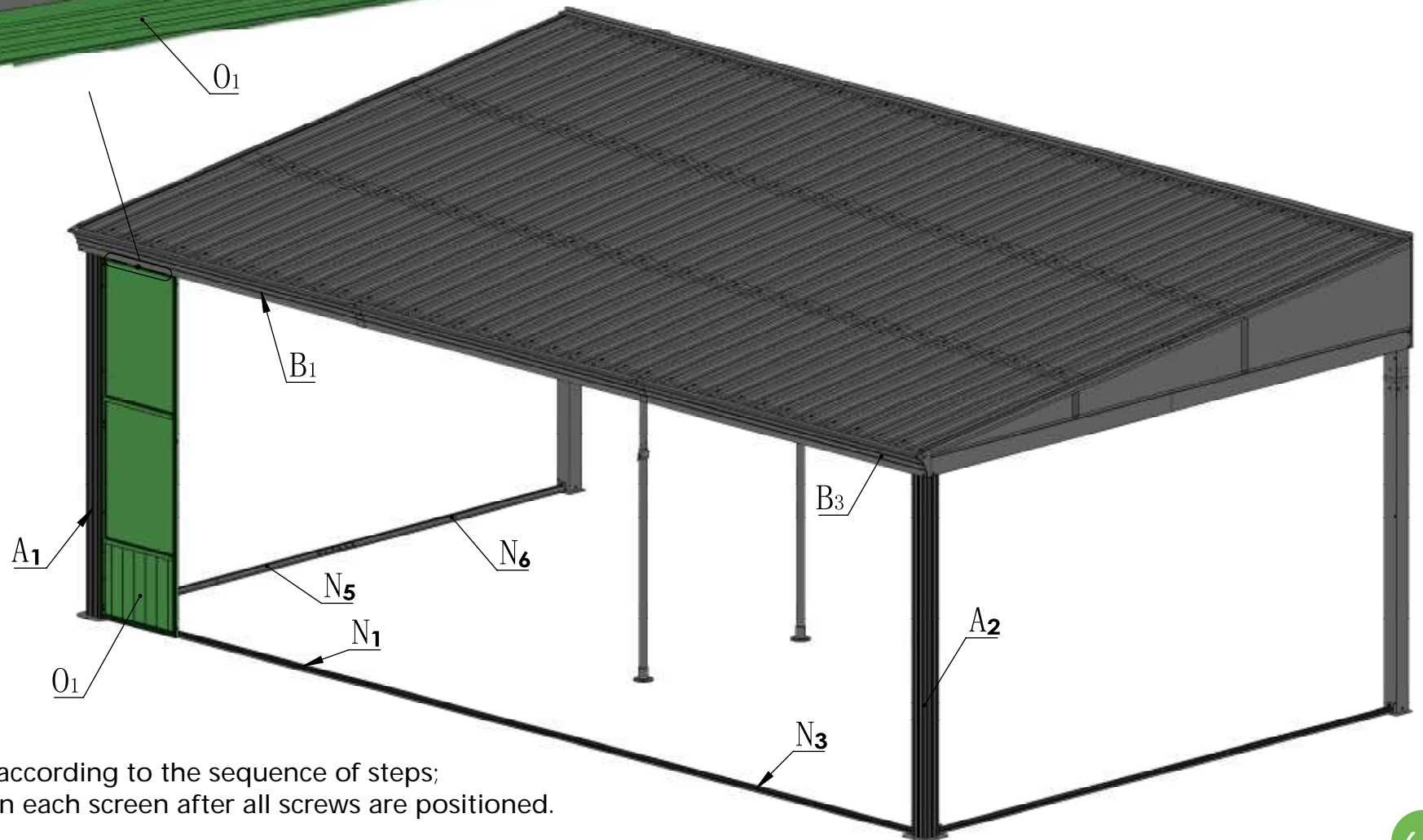
S4

23#

1X



STEP3



Attention: Assemble according to the sequence of steps; align the holes, tighten each screen after all screws are positioned.



M6*16

4# 4X



M6*28

5# 4X



M6*30

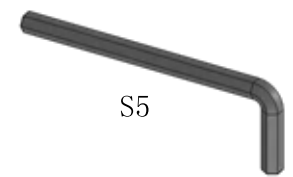
16# 6X



17# 6X

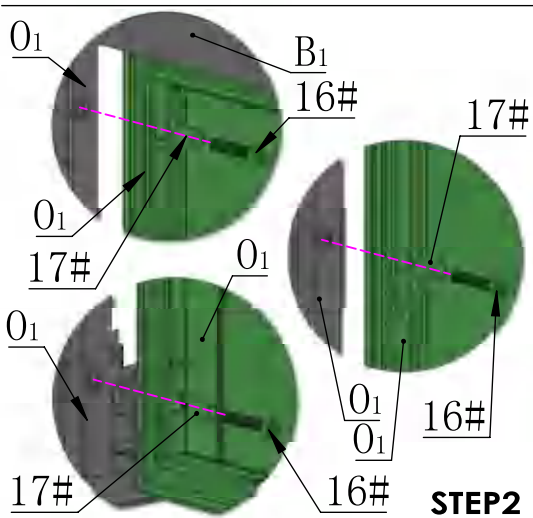
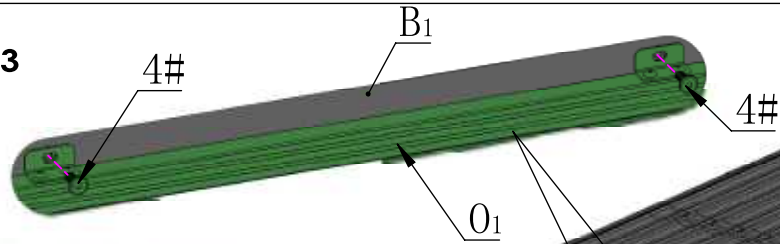


S4 1X

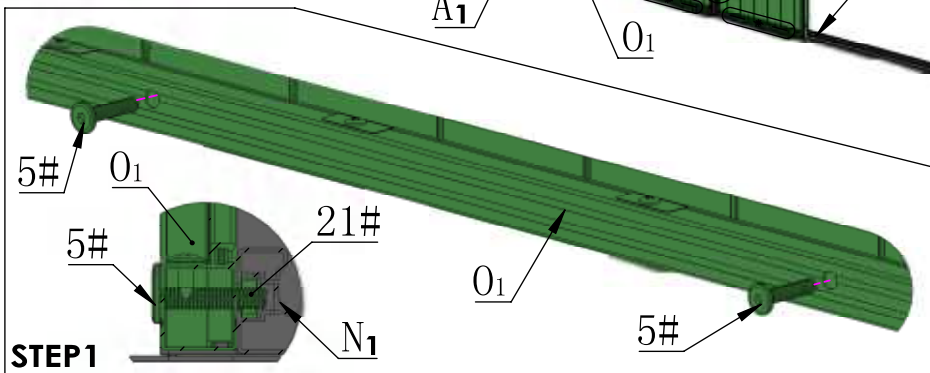


S5 1X

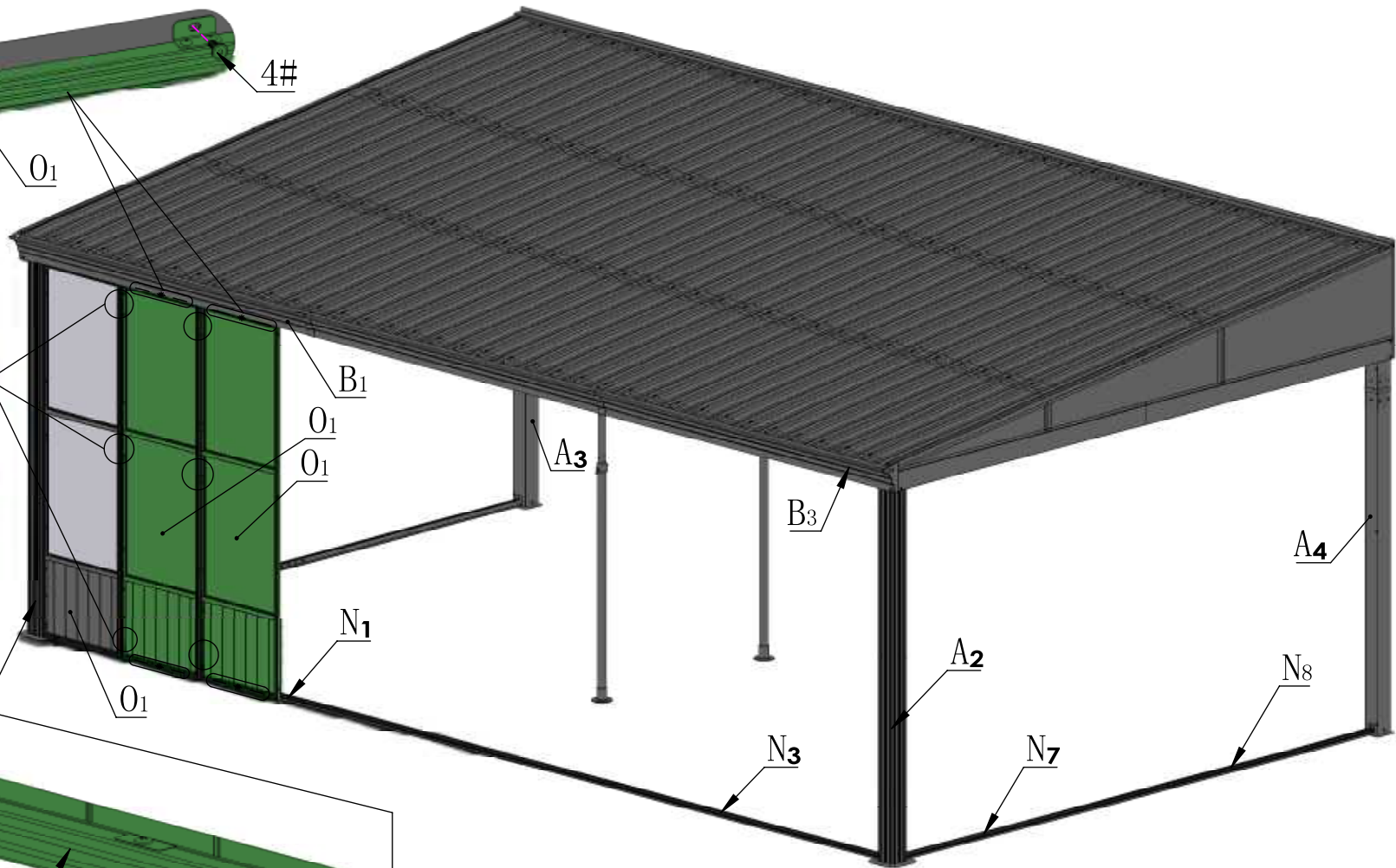
STEP3



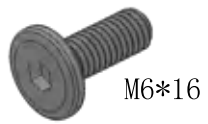
STEP2



STEP1



Attention: Assemble according to the sequence of steps; align the holes, tighten each screen after all screws are positioned. Always tighten screw 5# to metal square nuts 21# first.



M6*16

4# 4X



M6*28

5# 4X



M6*30

16# 6X



17# 6X



S4

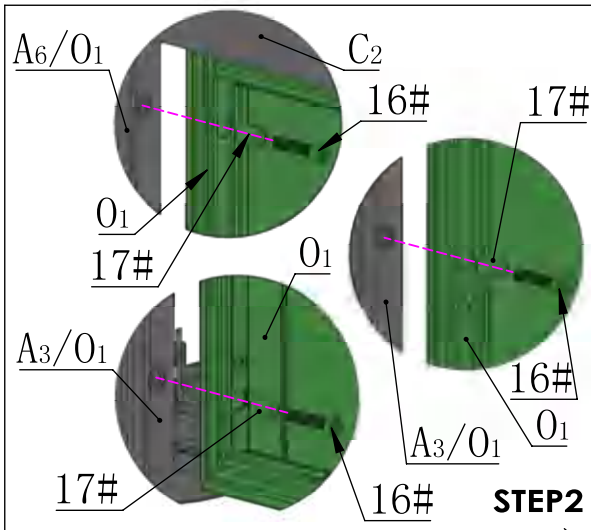
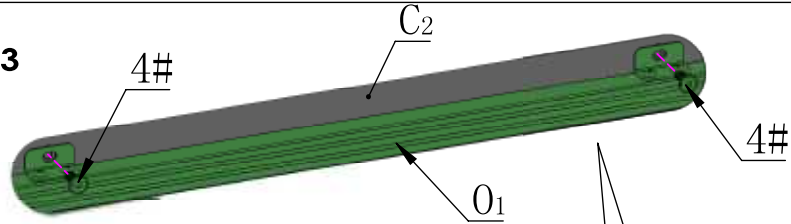
23# 1X



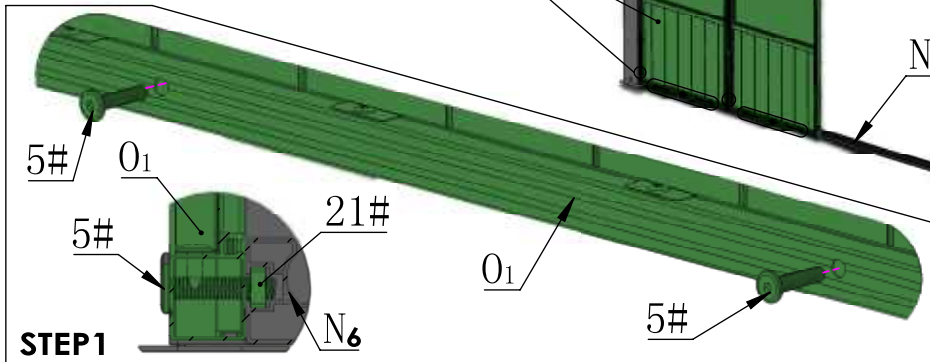
S5

24# 1X

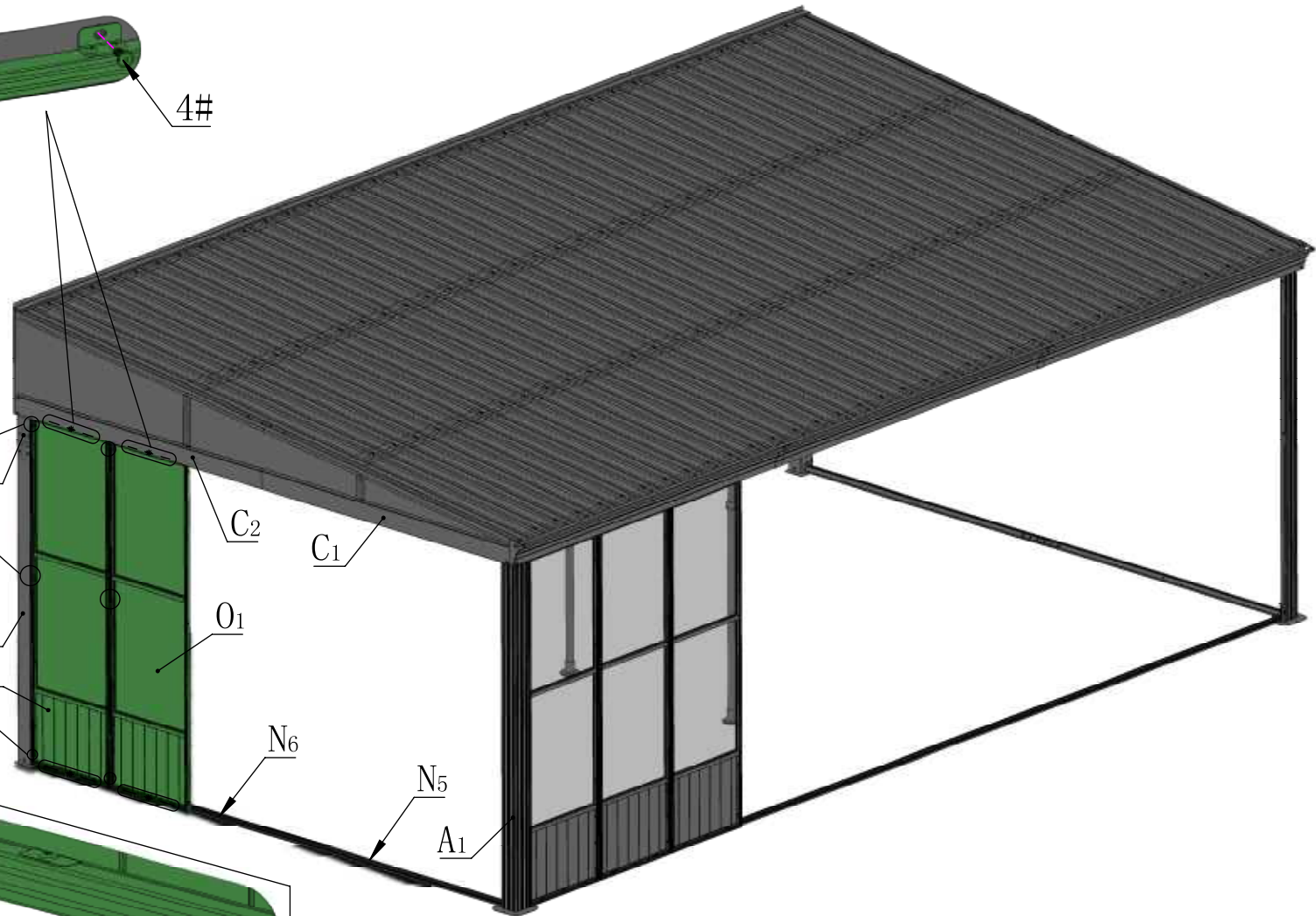
STEP3



STEP2



STEP1



Attention: Assemble according to the sequence of steps; align the holes, tighten each screen after all screws are positioned. Always tighten screw 5# to metal square nuts 21# first.



M6*16

4# 4X



M6*28

5# 4X



M6*30

16# 6X



17# 6X



S4

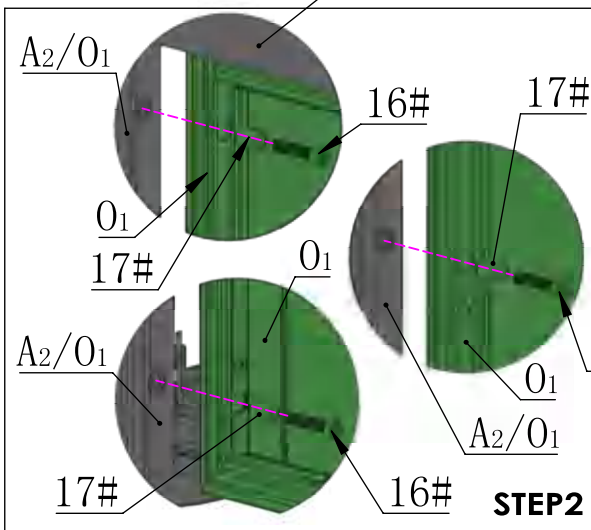
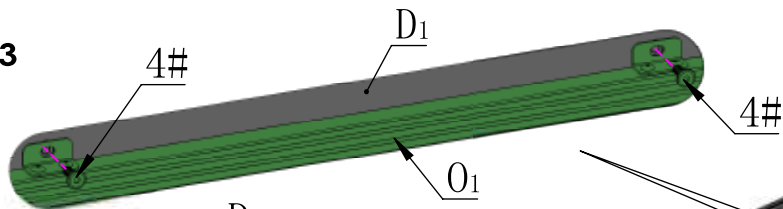
23# 1X



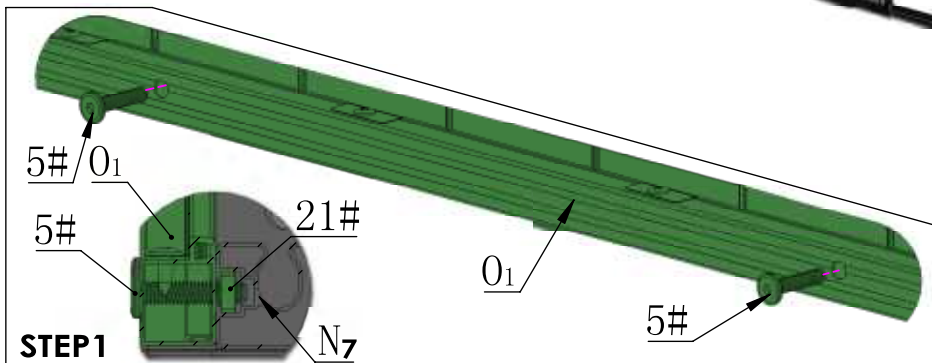
S5

24# 1X

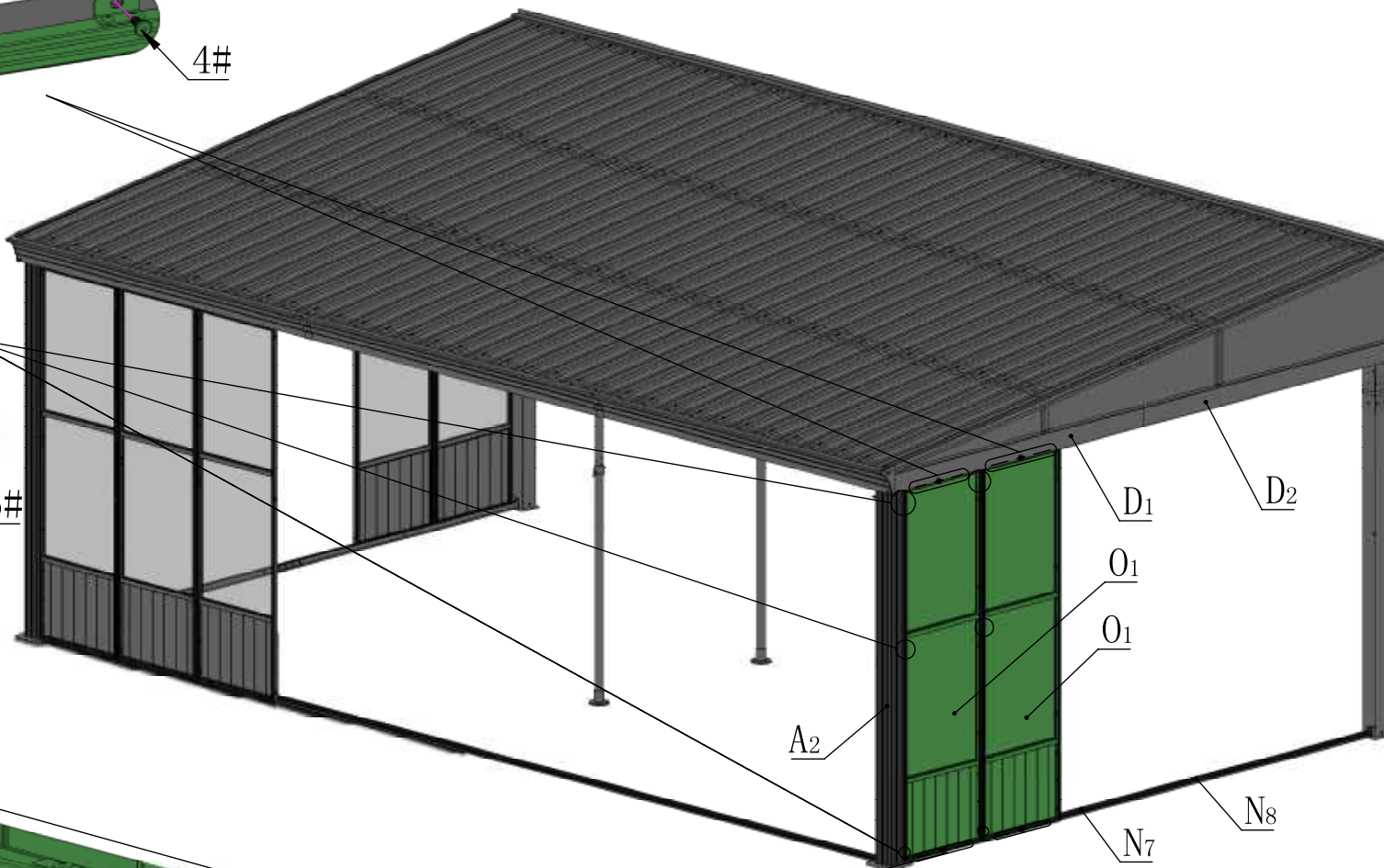
STEP 3



STEP 2



STEP 1



Attention: Assemble according to the sequence of steps; align the holes, tighten each screw after all screws are positioned. Always tighten screw 5# to metal square nuts 21# first.



M6*16

4# 6X



M6*28

5# 6X



M6*30

16# 9X



17# 9X



S4

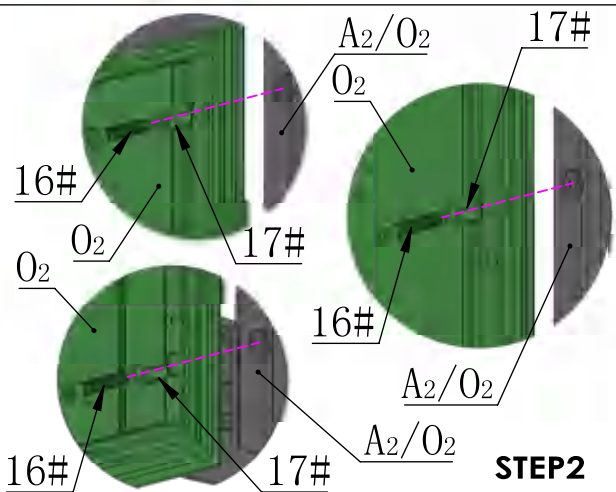
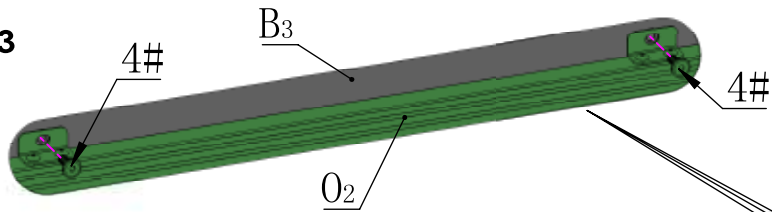
23# 1X



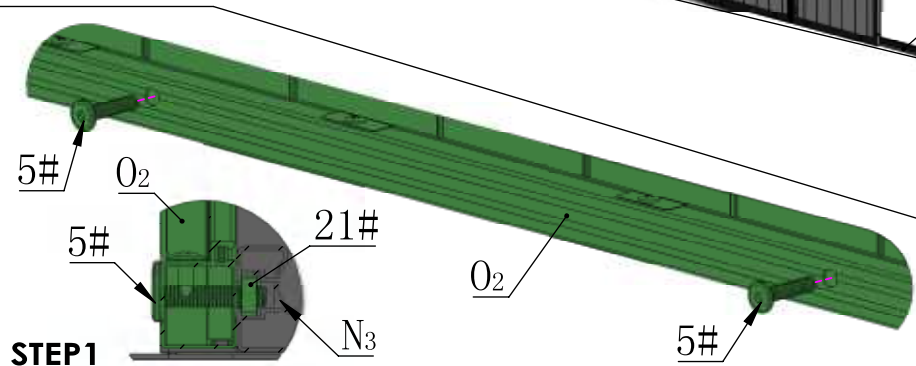
S5

24# 1X

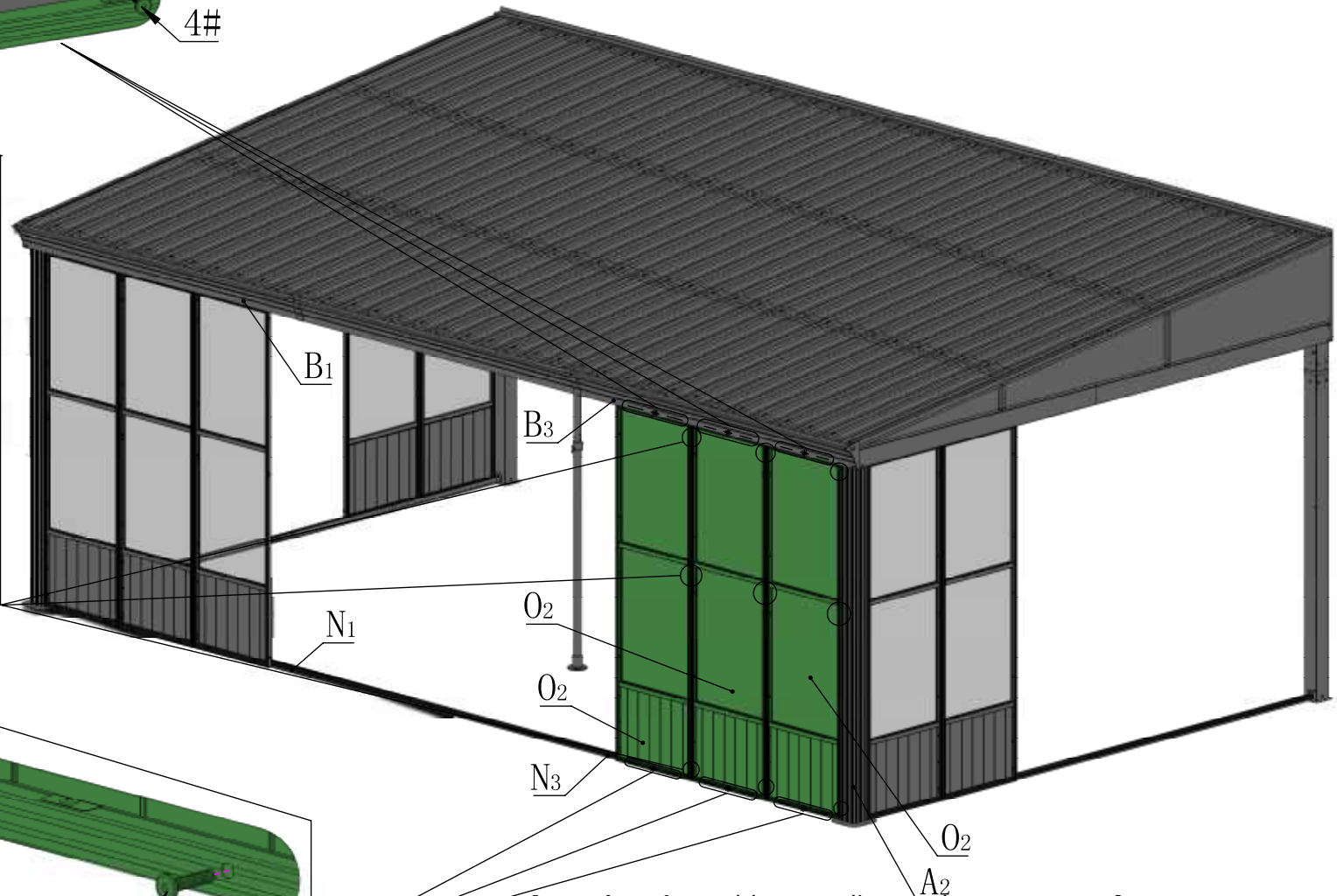
STEP3



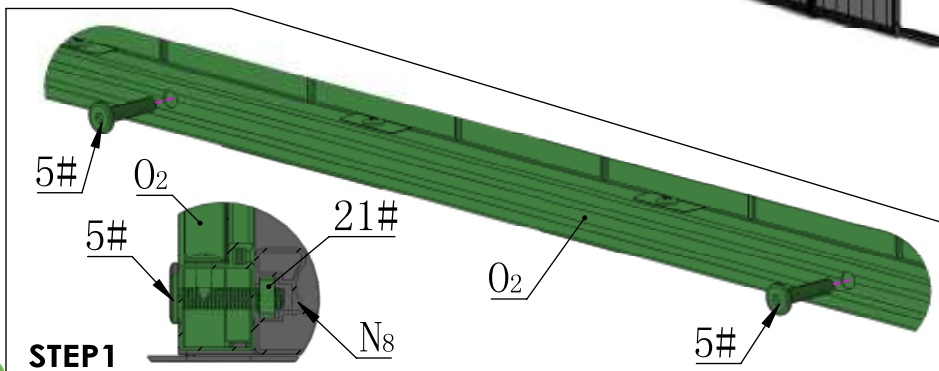
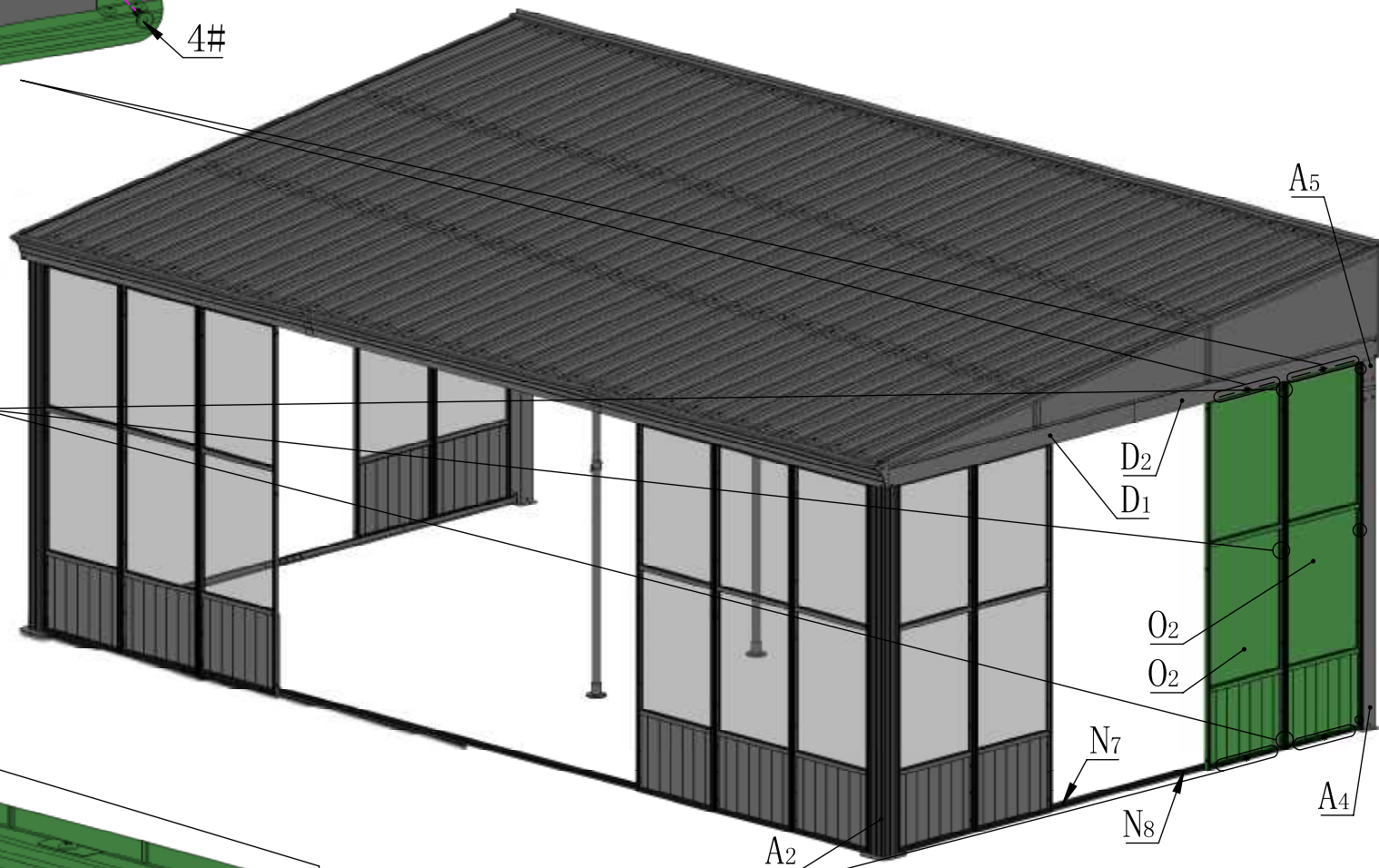
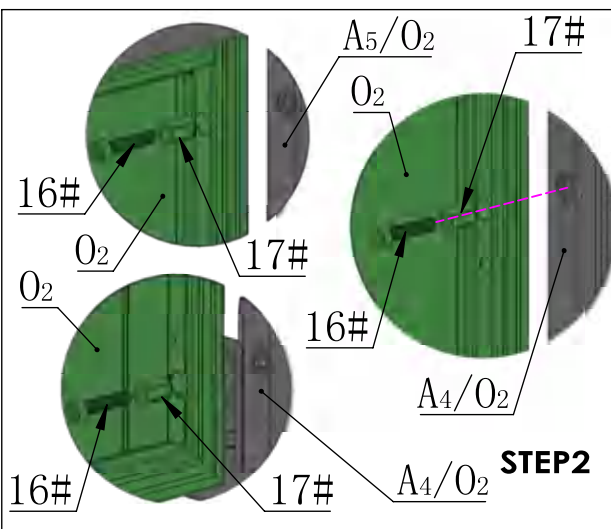
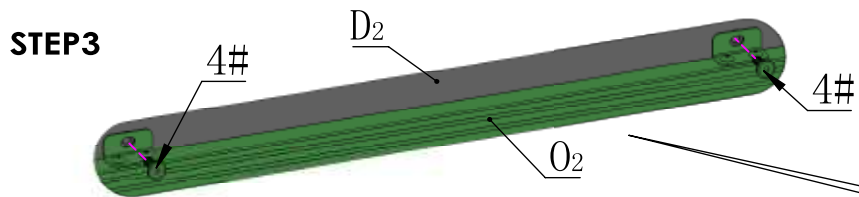
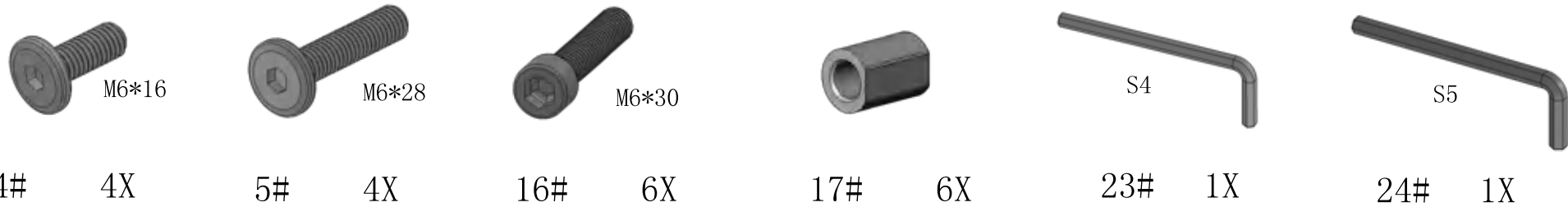
STEP2



STEP1



Attention: Assemble according to the sequence of steps; align the holes, tighten each screen after all screws are positioned. Always tighten screw 5# to metal square nuts 21# first.



Attention: Assemble according to the sequence of steps; align the holes, tighten each screen after all screws are positioned. Always tighten screw 5# to metal square nuts 21# first.



M6*16

4# 4X



M6*28

5# 4X



M6*30

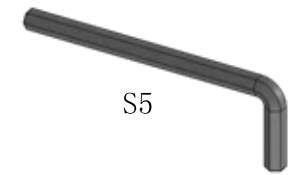
16# 6X



17# 6X

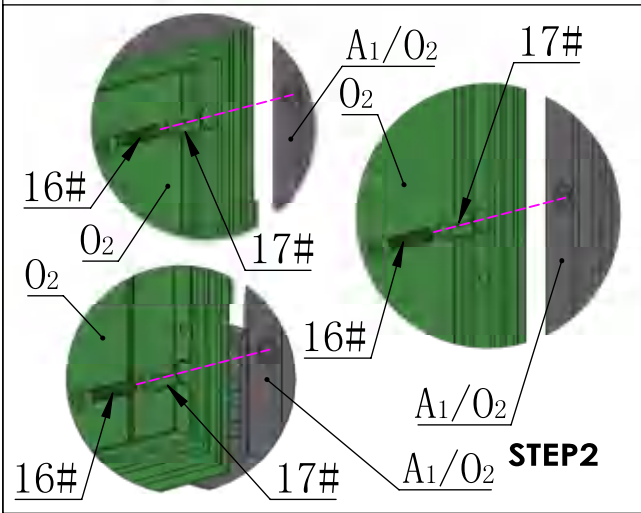
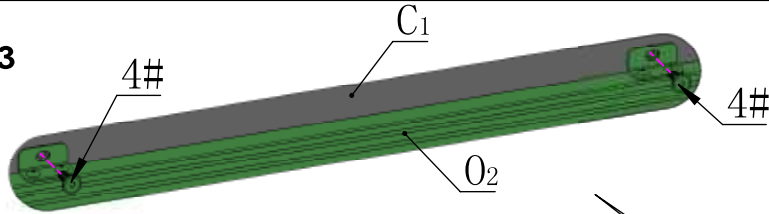


S4 1X

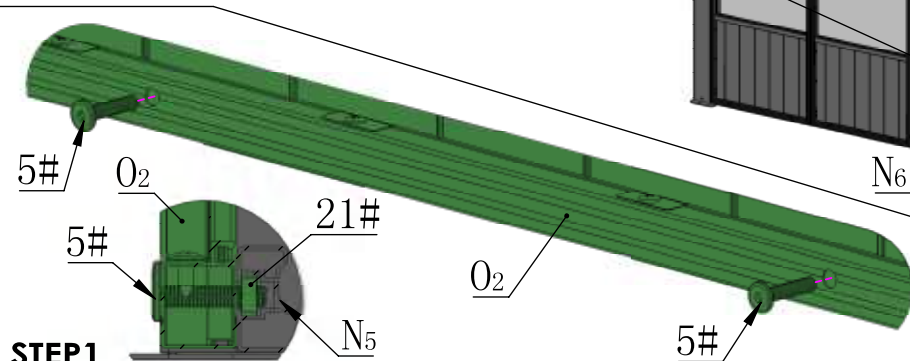


S5 1X

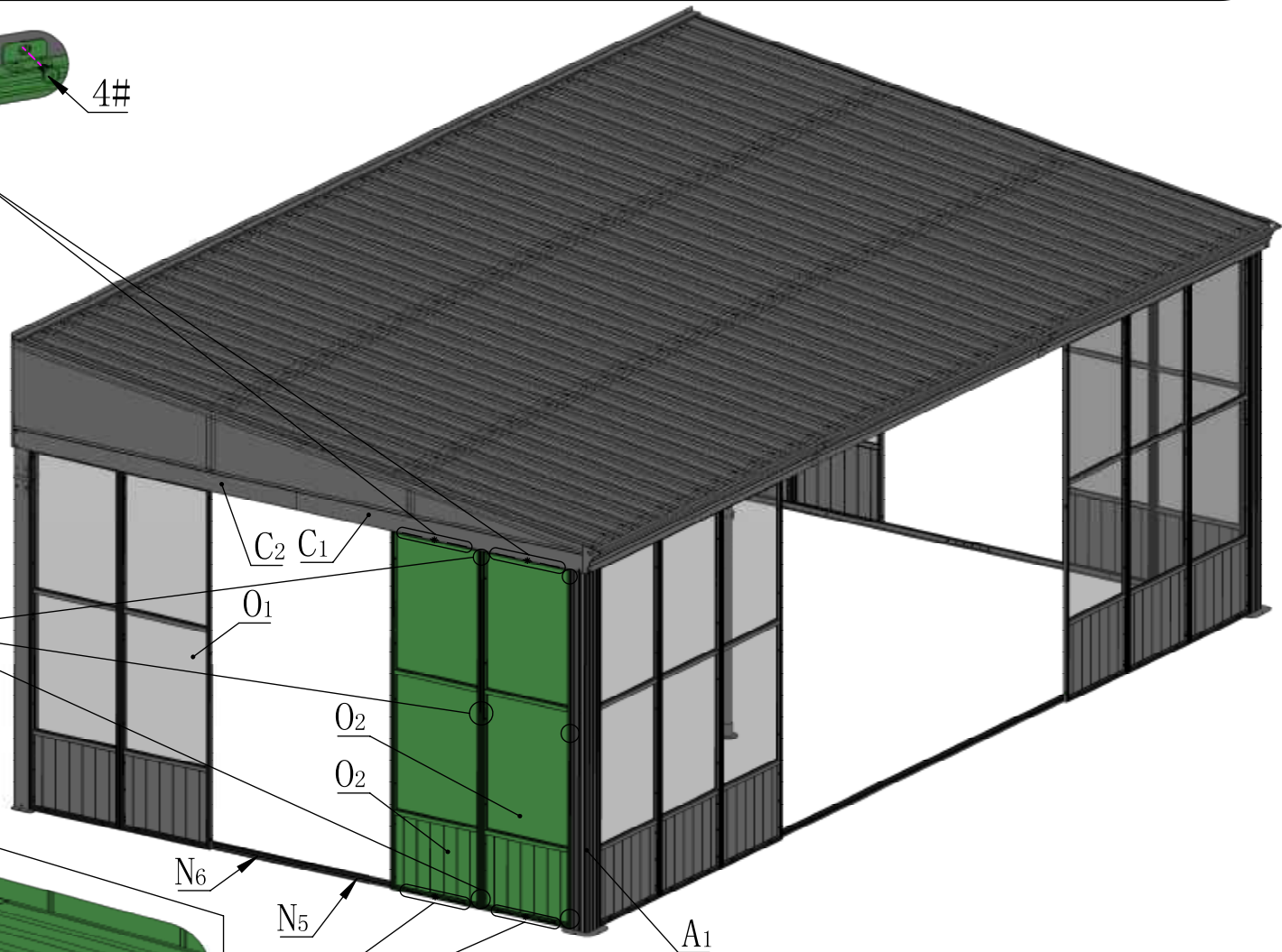
STEP3



STEP2



STEP1



Attention: Assemble according to the sequence of steps; align the holes, tighten each screen after all screws are positioned. Always tighten screw 5# to metal square nuts 21# first.



M6*16

4# 2X



M6*28

5# 2X



M6*30

16# 3X



17# 3X



S4

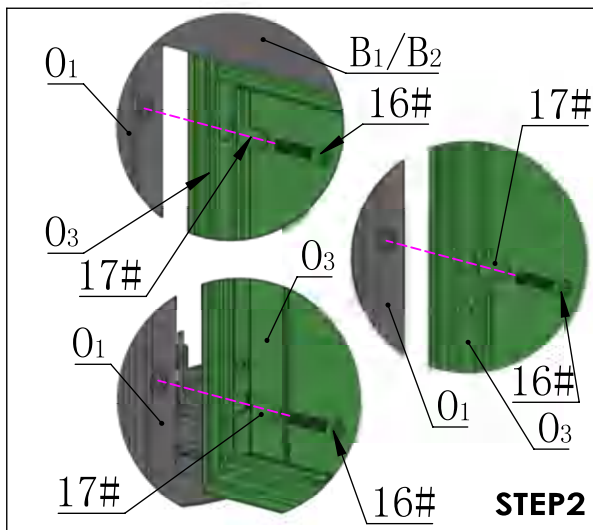
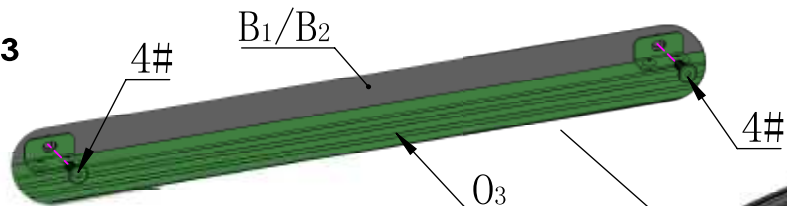
23# 1X



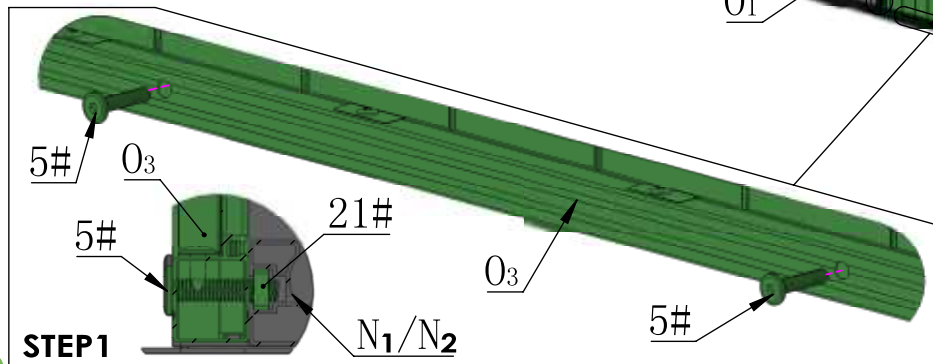
S5

24# 1X

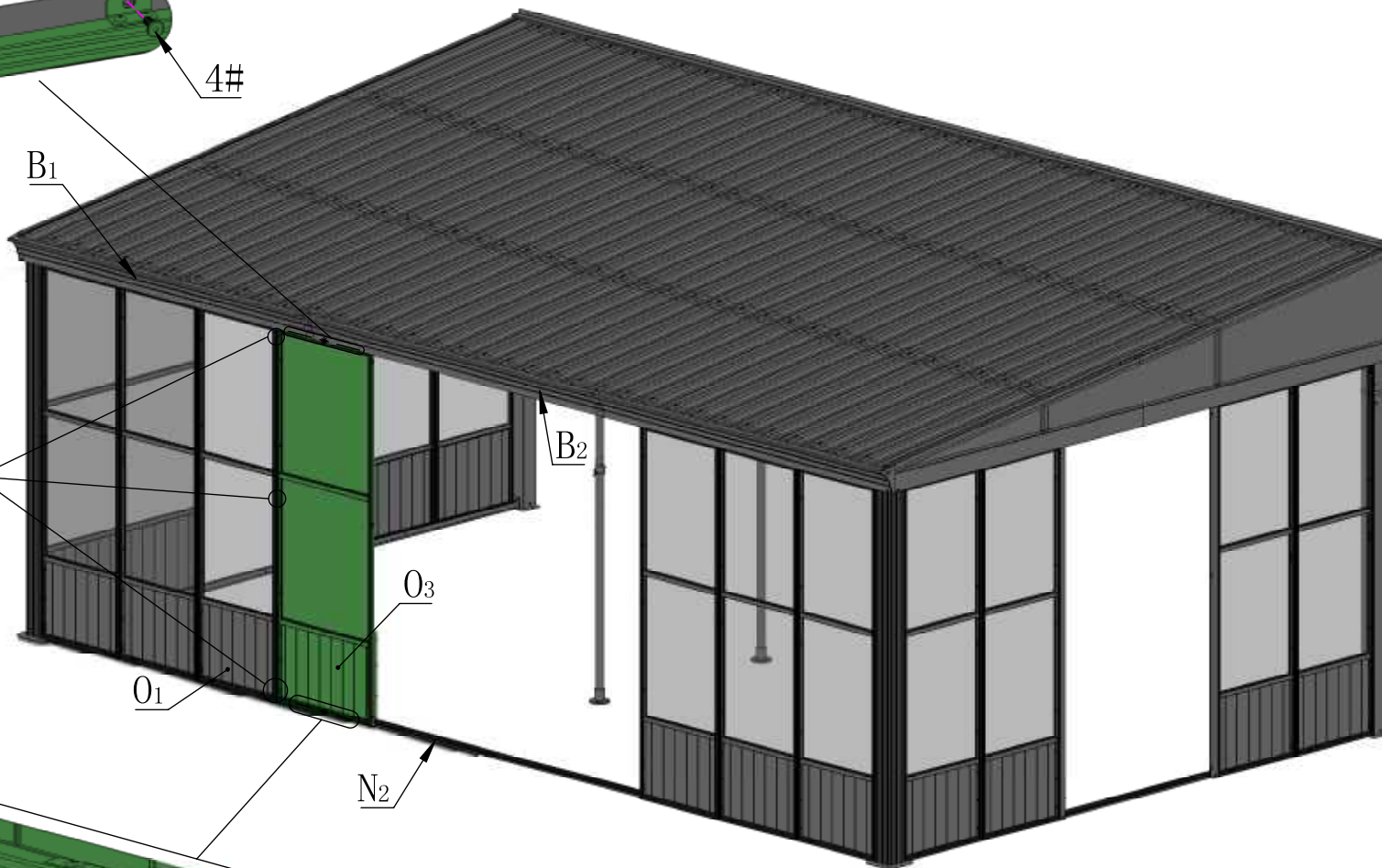
STEP3



STEP2



STEP1



Attention: Assemble according to the sequence of steps; align the holes, tighten each screen after all screws are positioned. Always tighten screw 5# to metal square nuts 21# first.



M6*16

4# 2X



M6*28

5# 2X

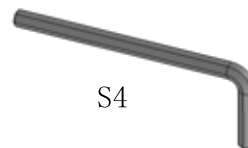


M6*30

16# 3X

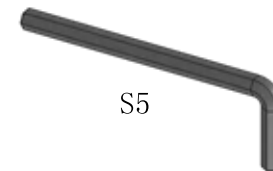


17# 3X



S4

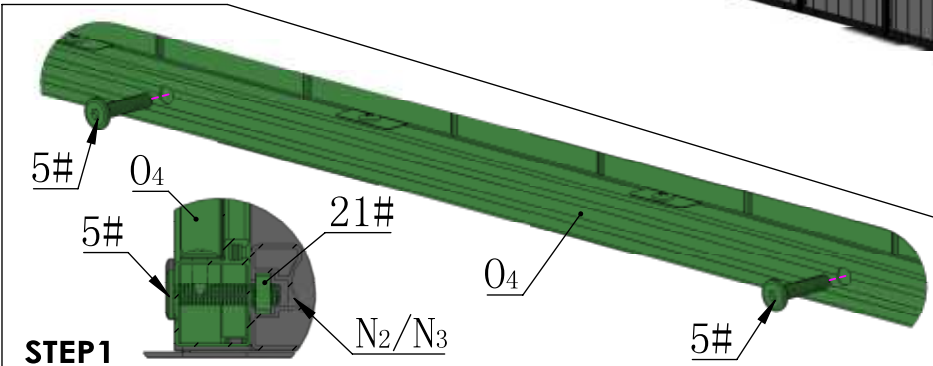
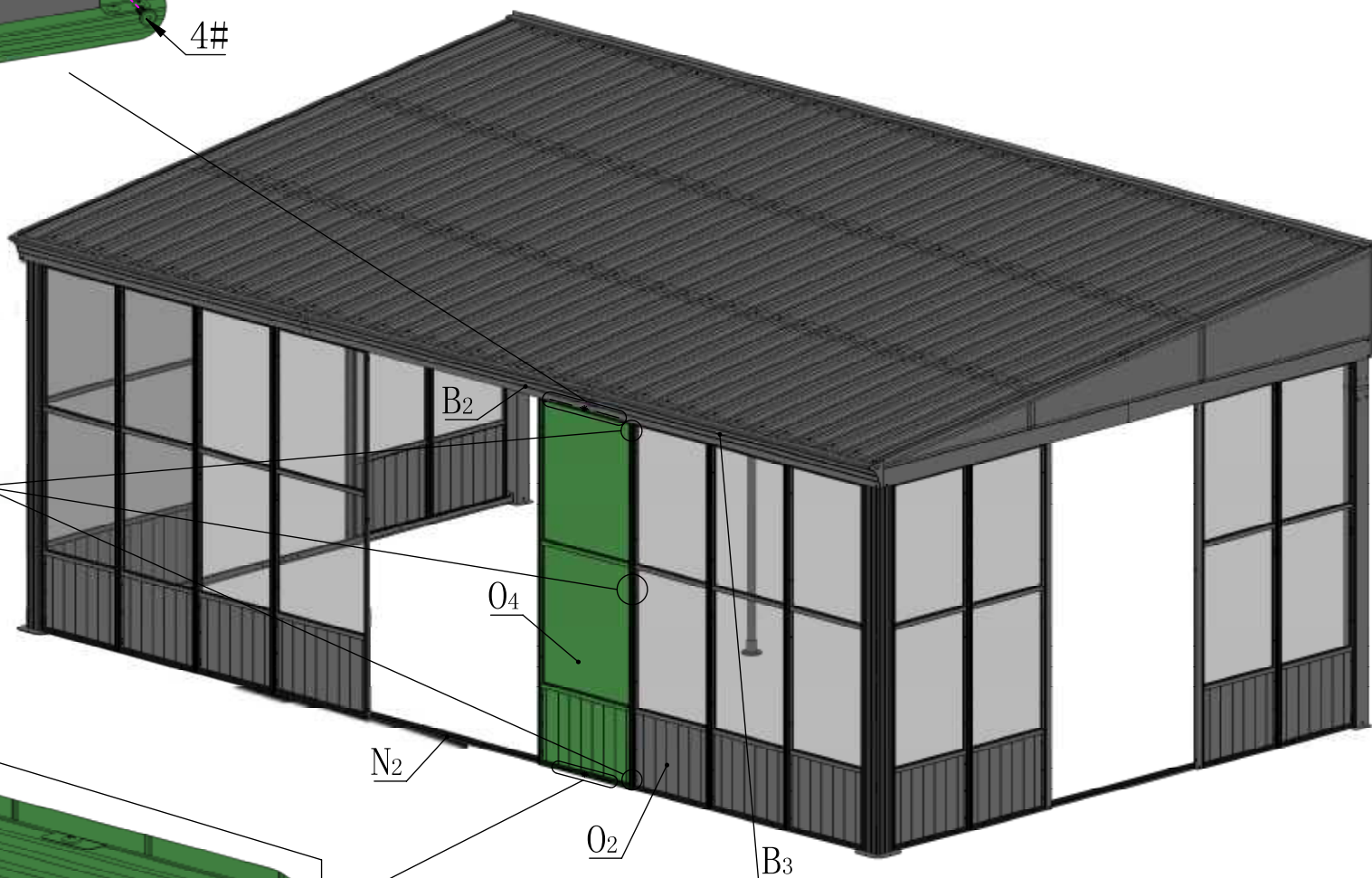
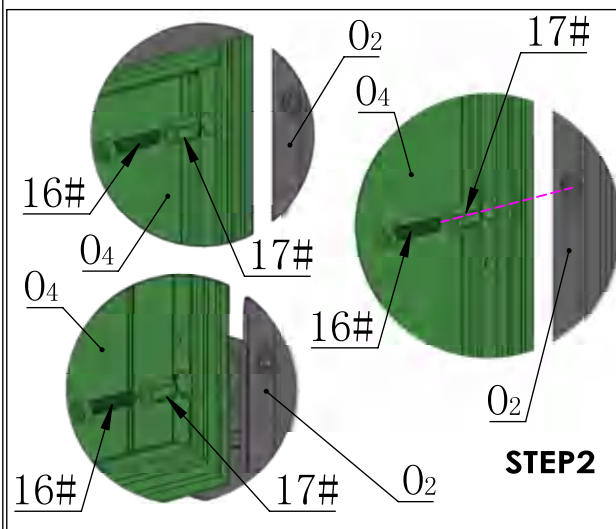
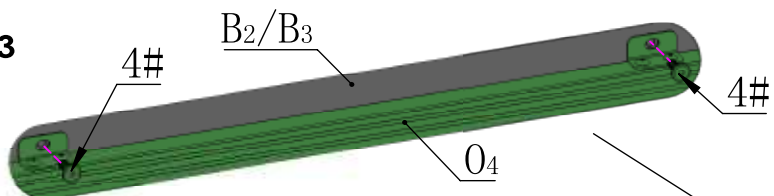
23# 1X



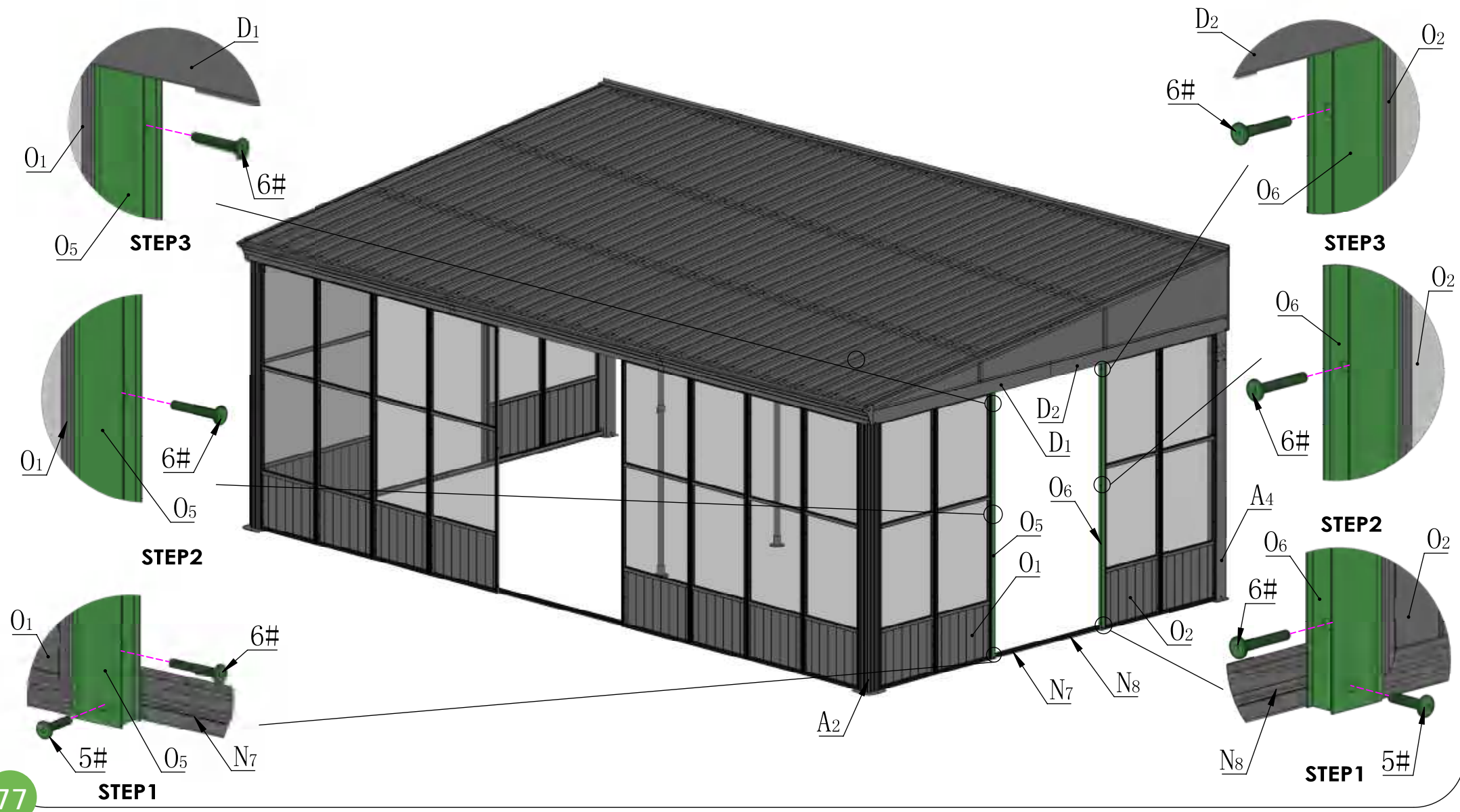
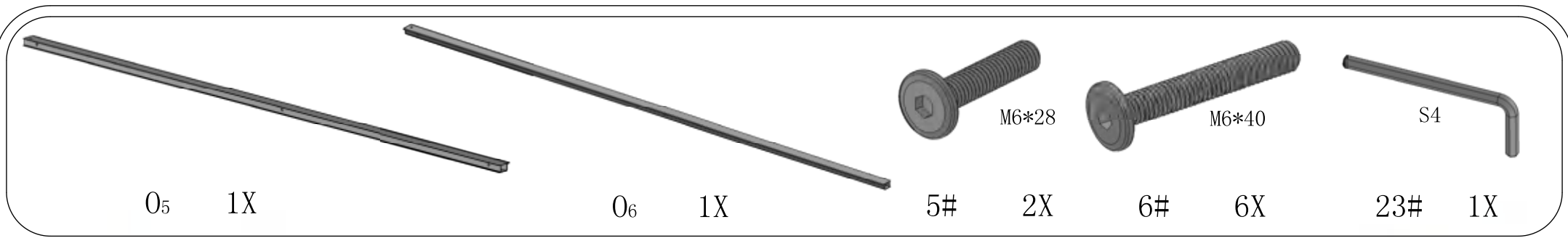
S5

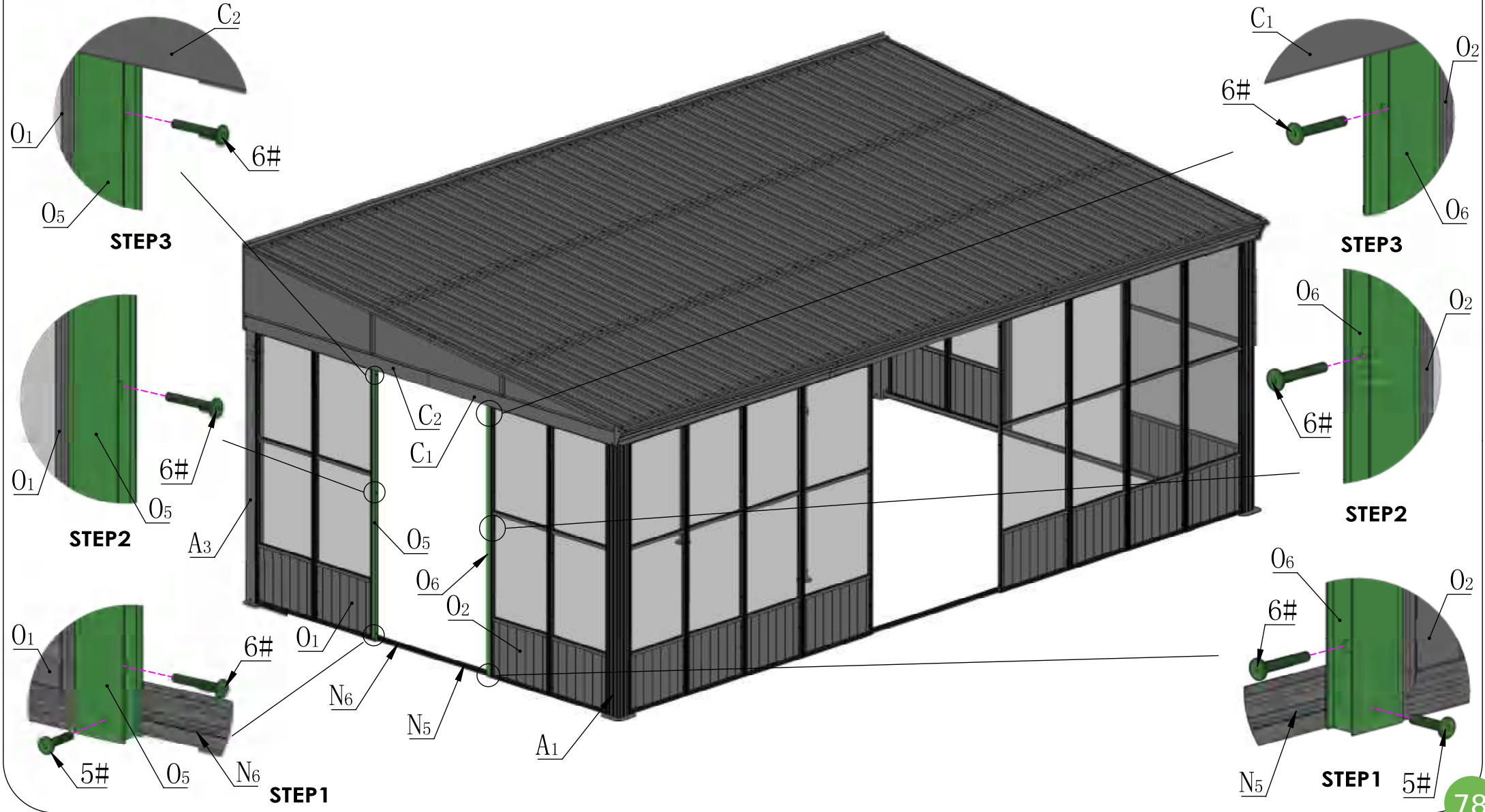
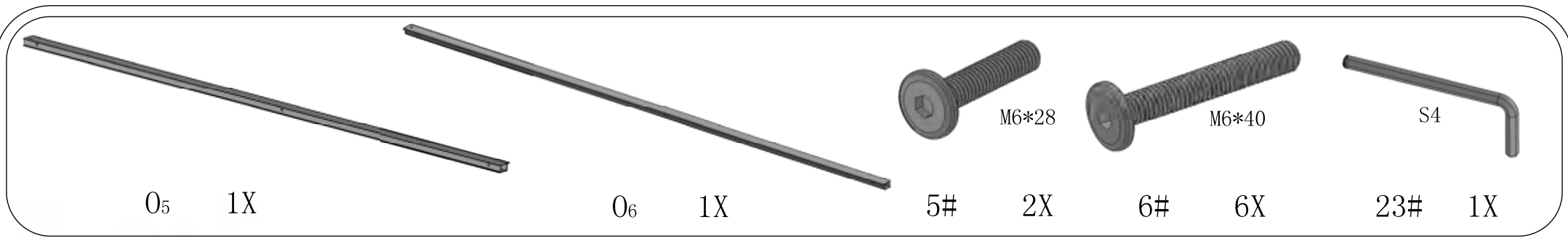
24# 1X

STEP 3



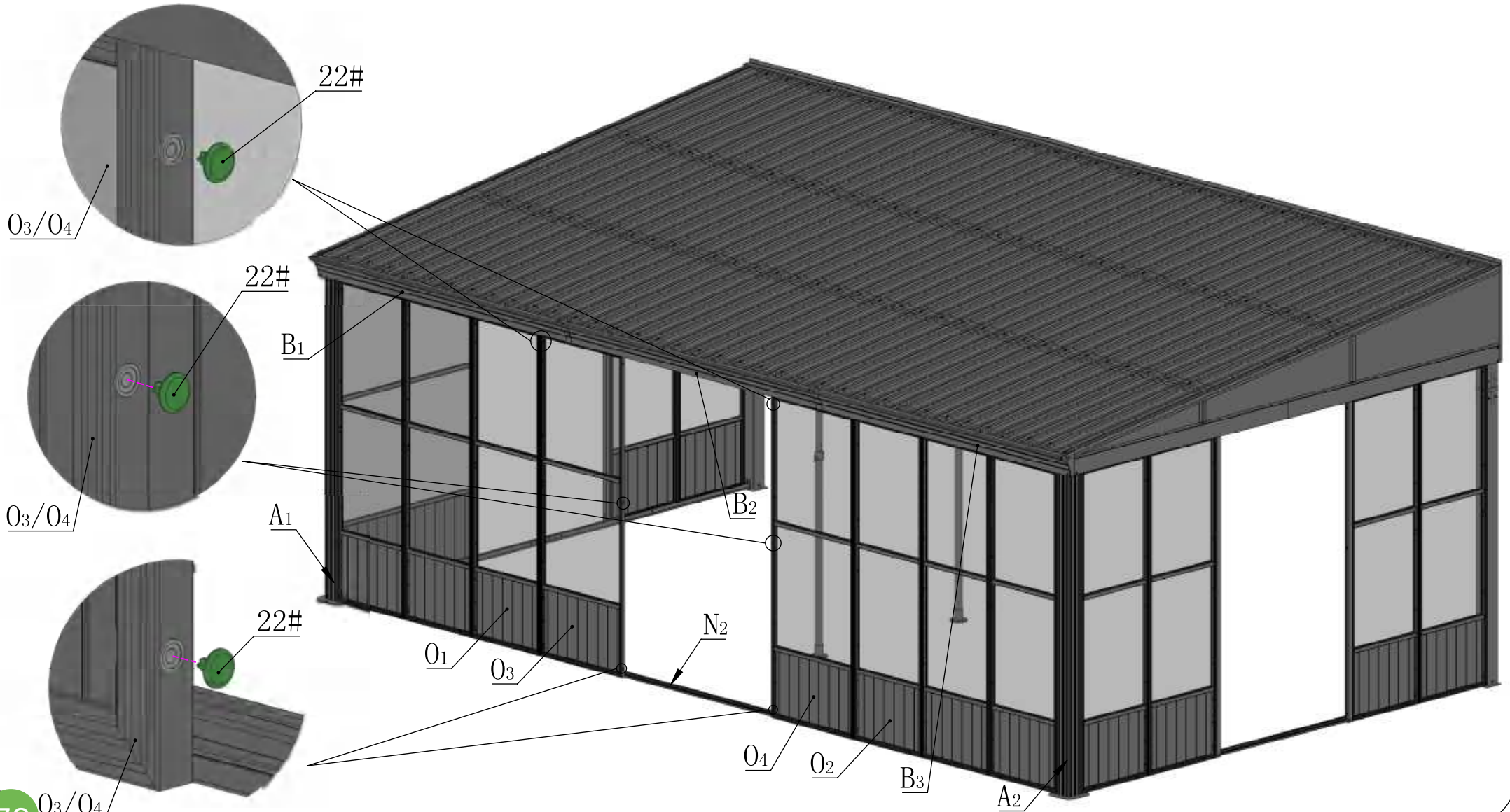
Attention: Assemble according to the sequence of steps; align the holes, tighten each screen after all screws are positioned. Always tighten screw 5# to metal square nuts 21# first.







22# 6X





M4*10



M4



K₄

4X

18#

8X

19#

8X

20#

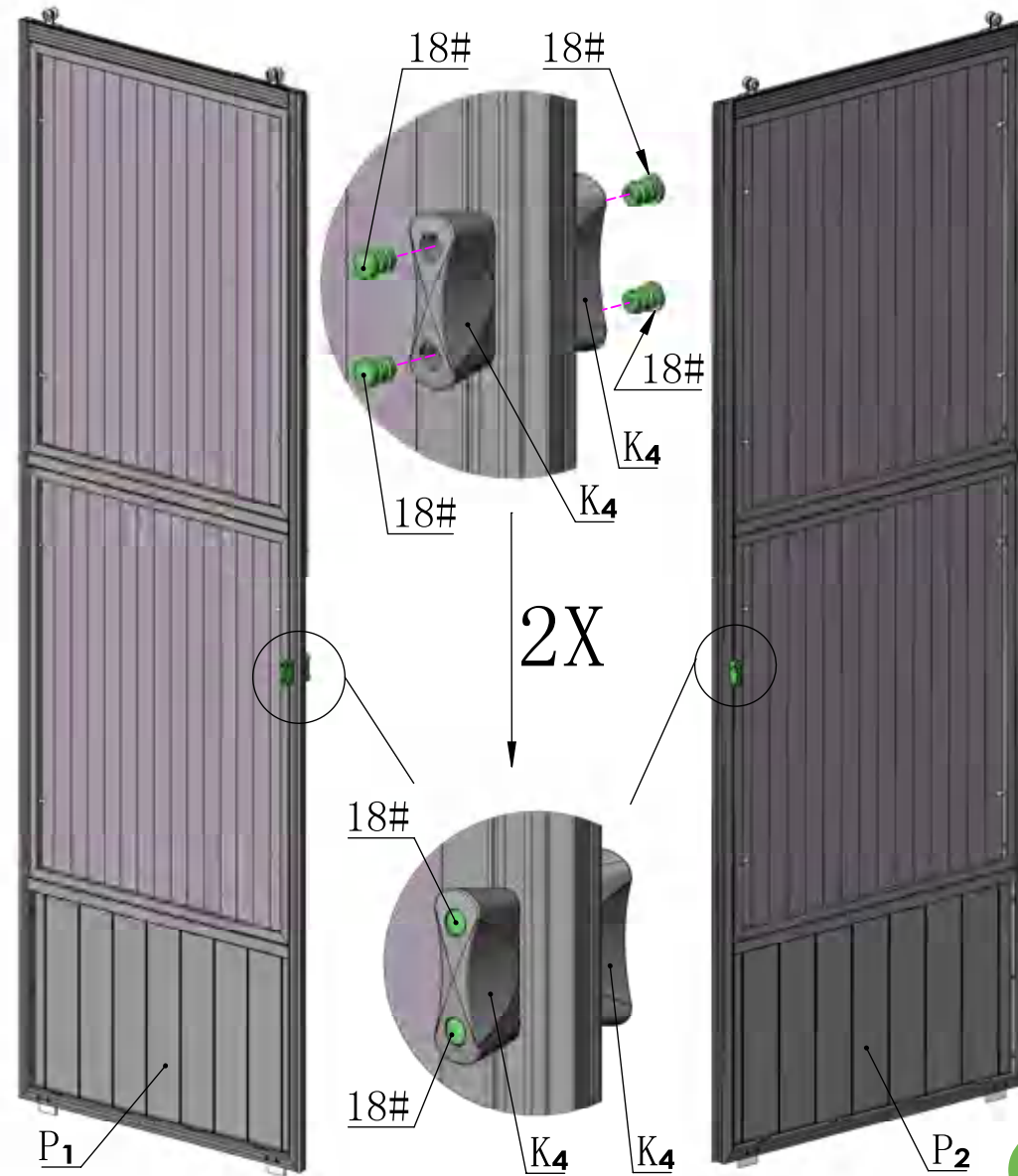
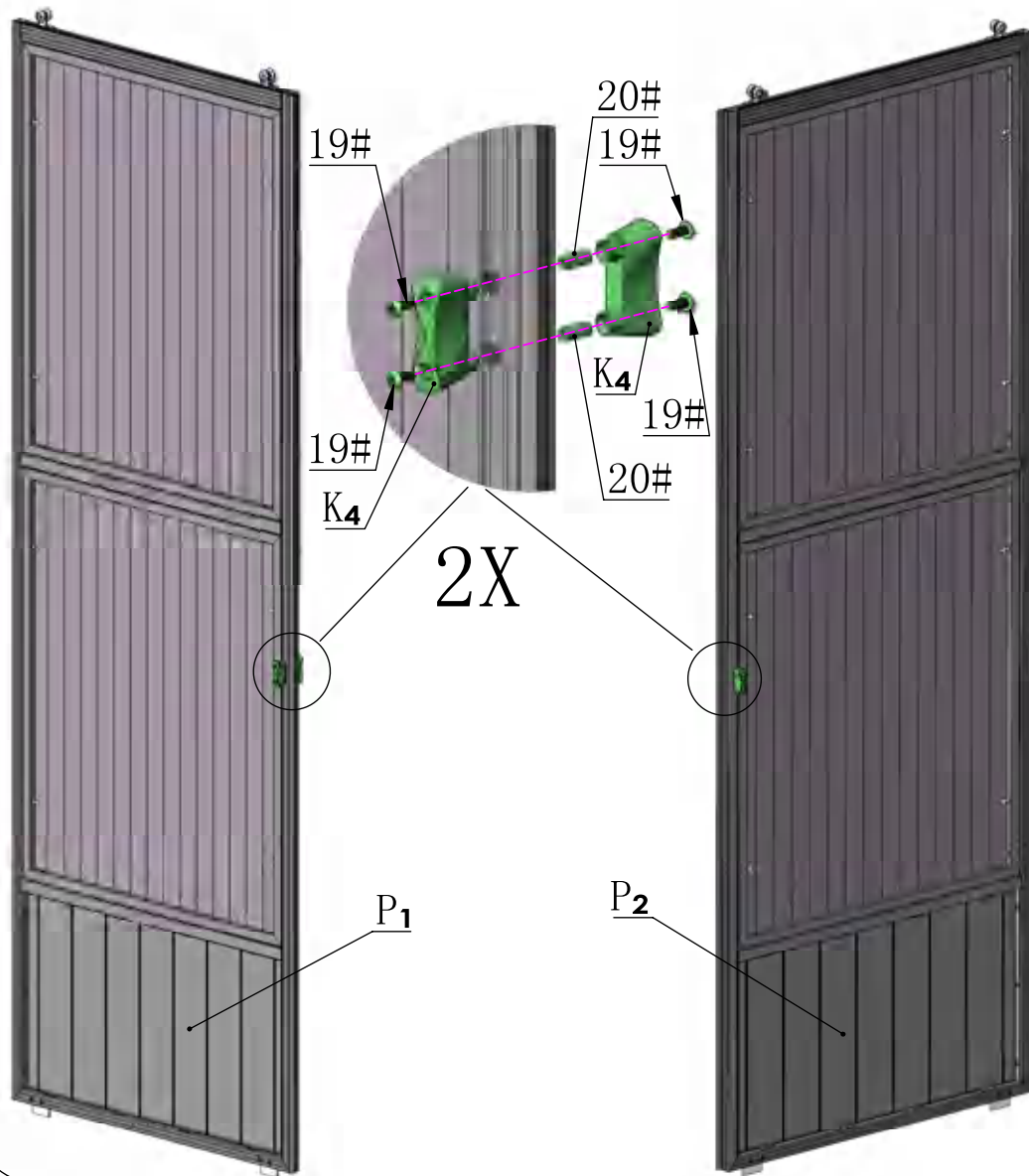
4X

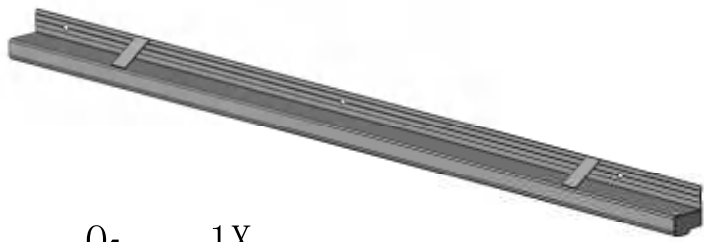
P₁

1X

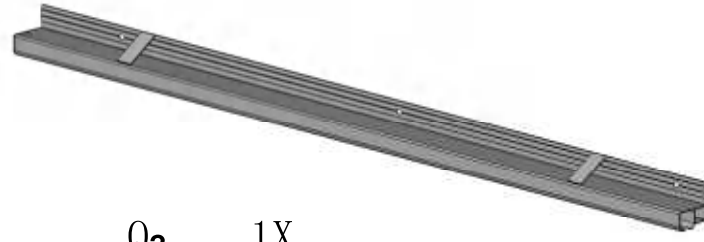
P₂

1X

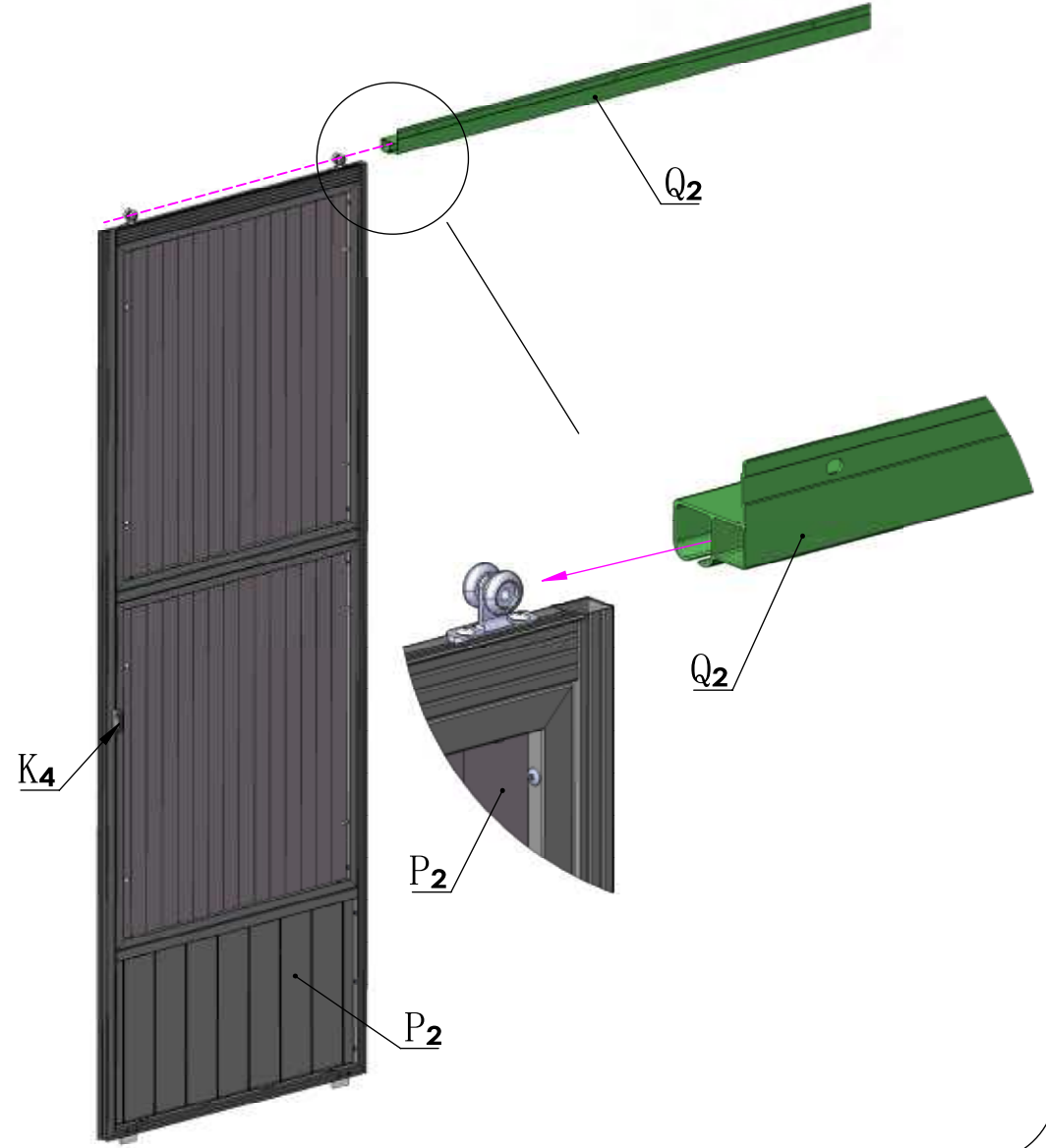
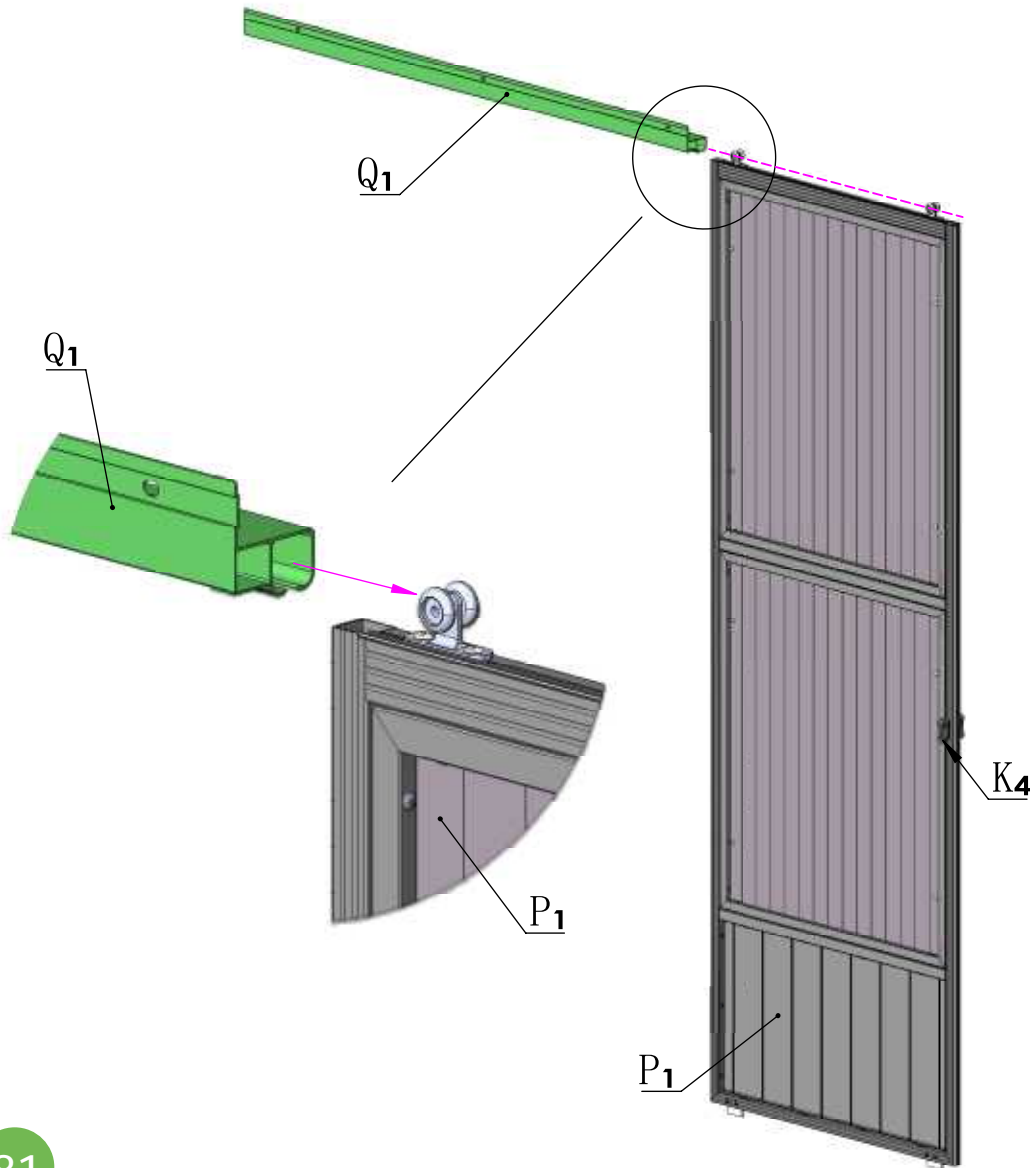




Q1 1X



Q2 1X





M6*16

4#

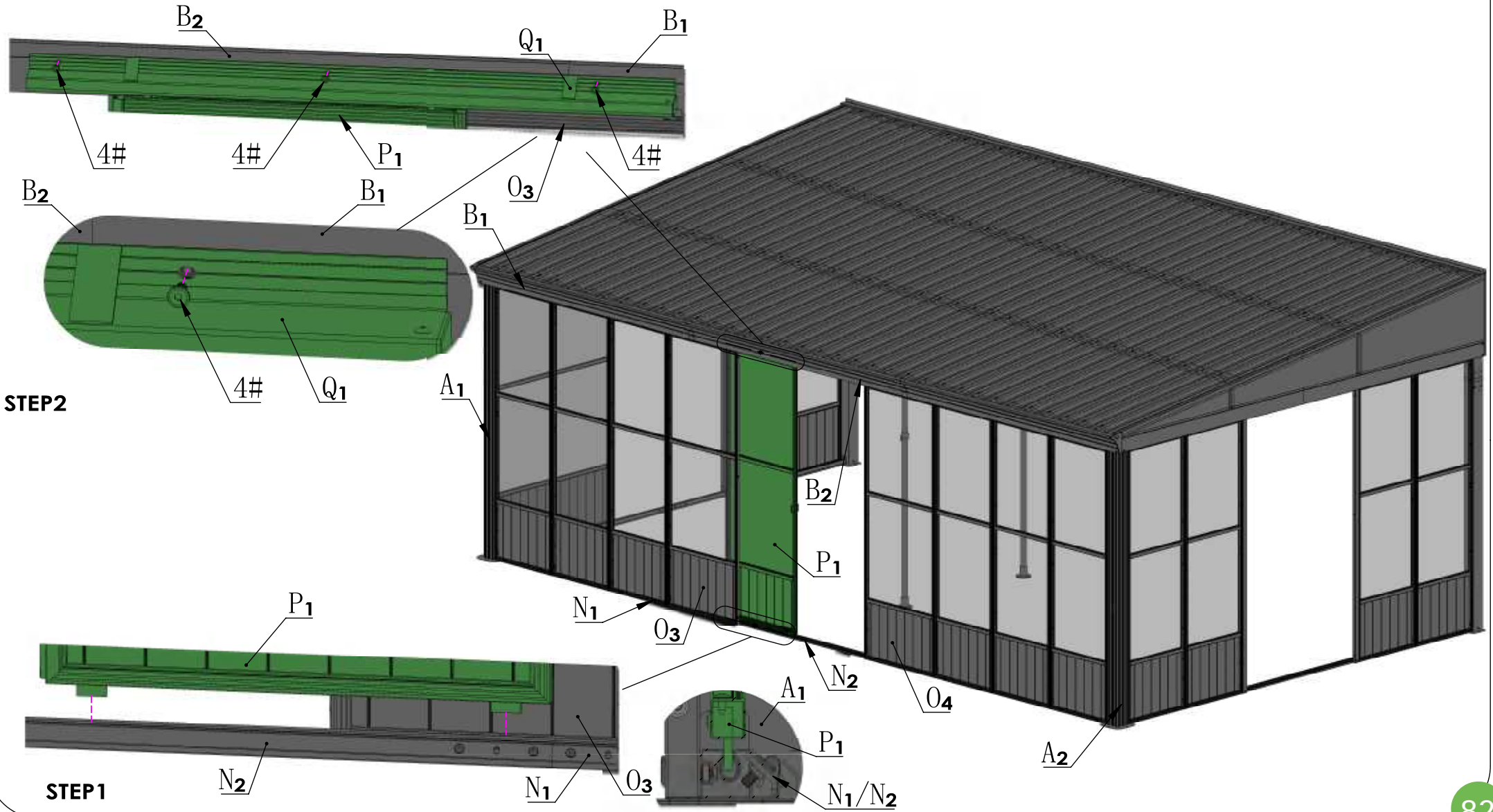
3X



S4

23#

1X





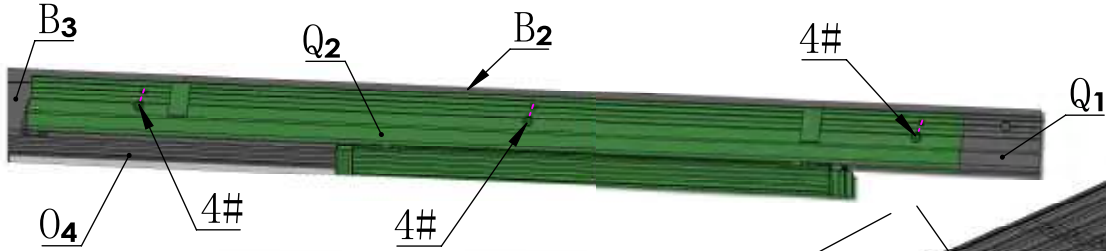
M6*16

4# 3X

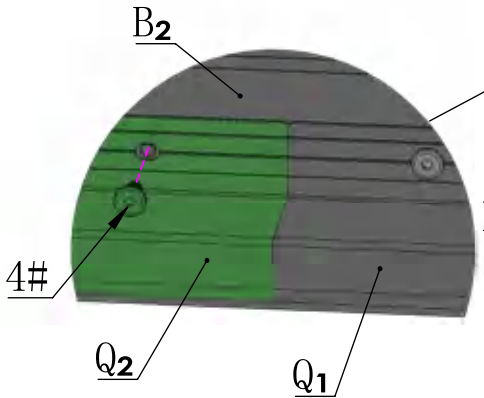


S4

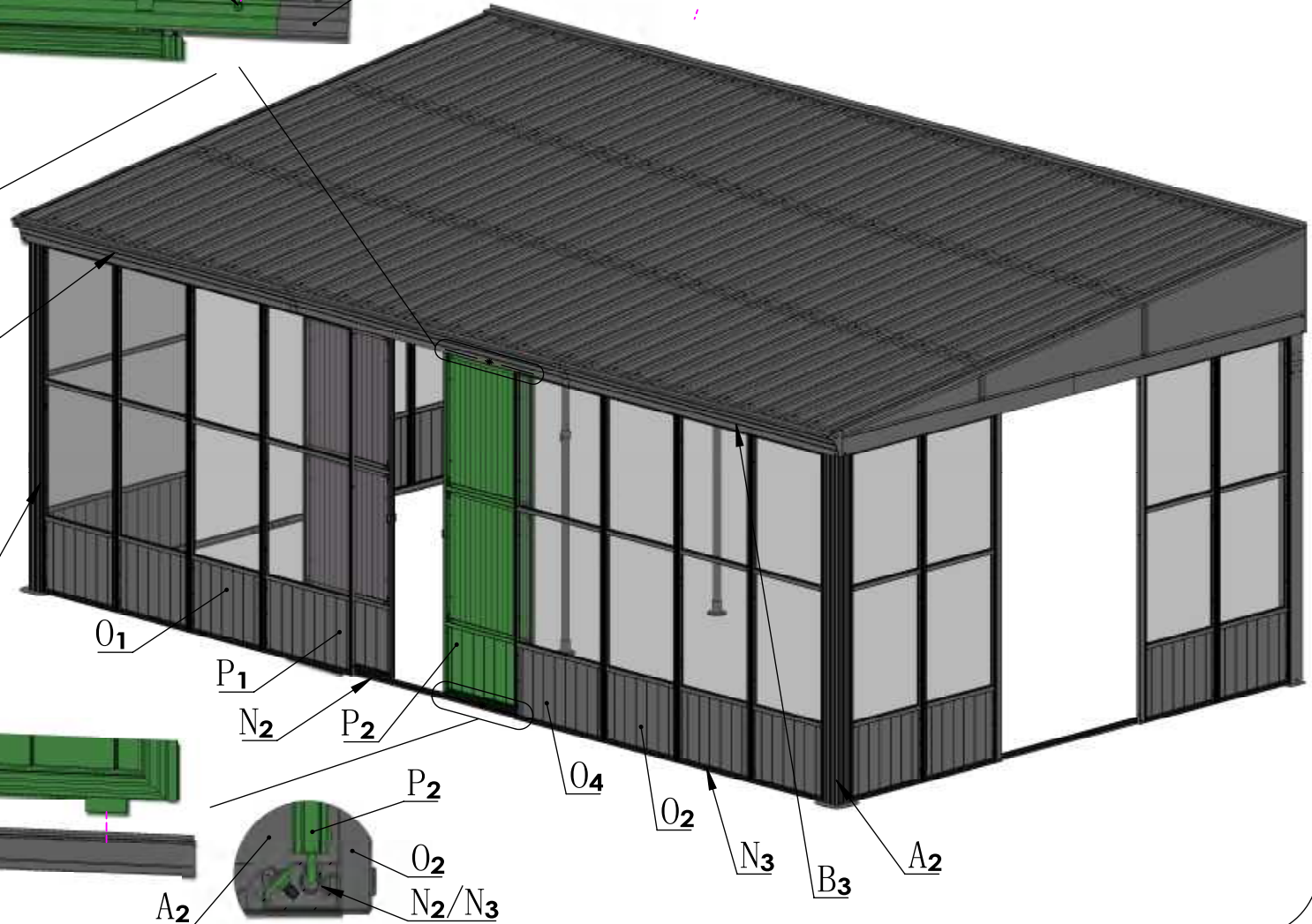
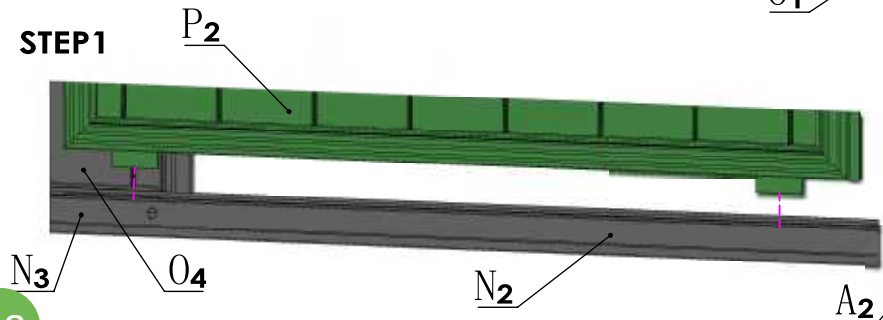
23# 1X



STEP2



STEP1





M4*10



M4



K₄

8X

18#

16X

19#

16X

20#

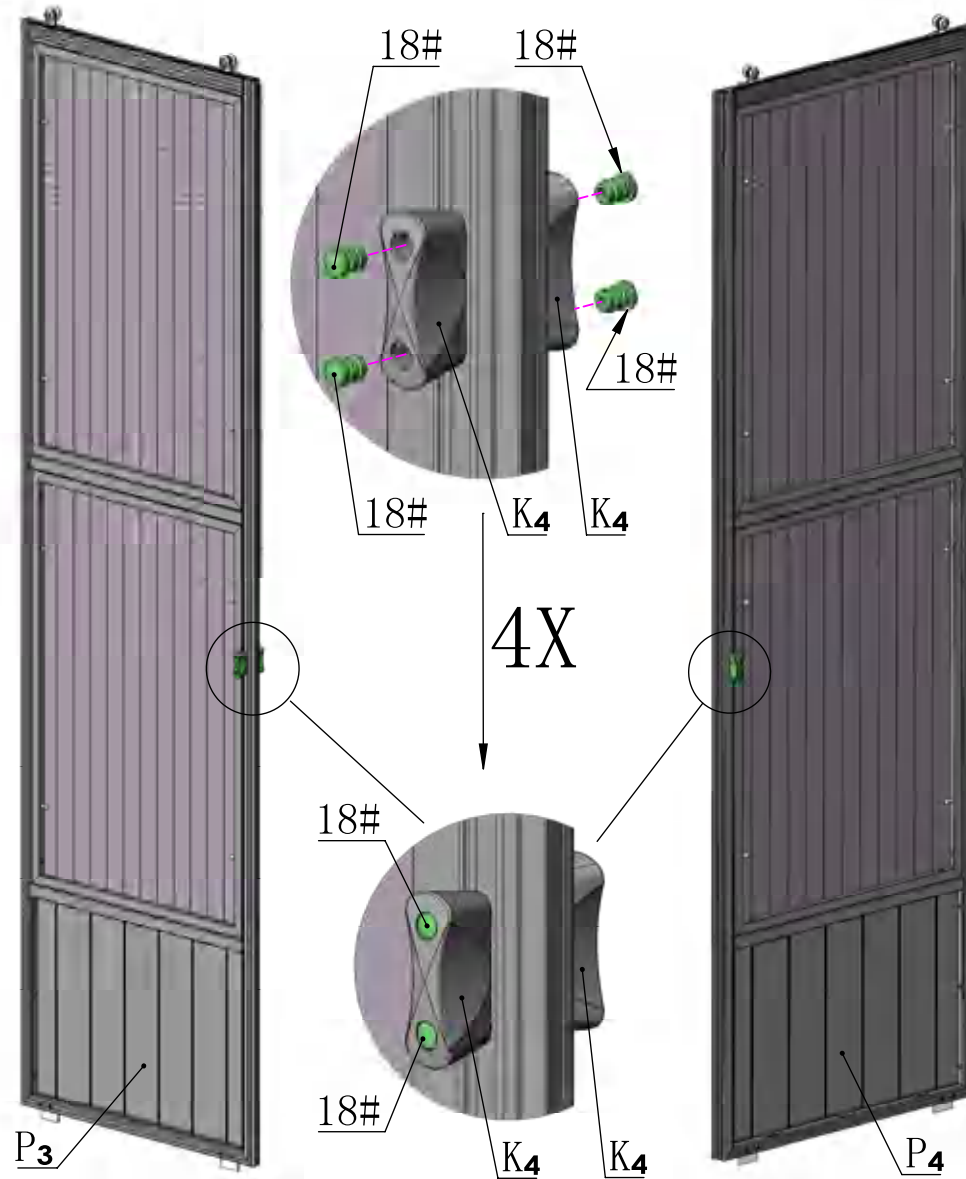
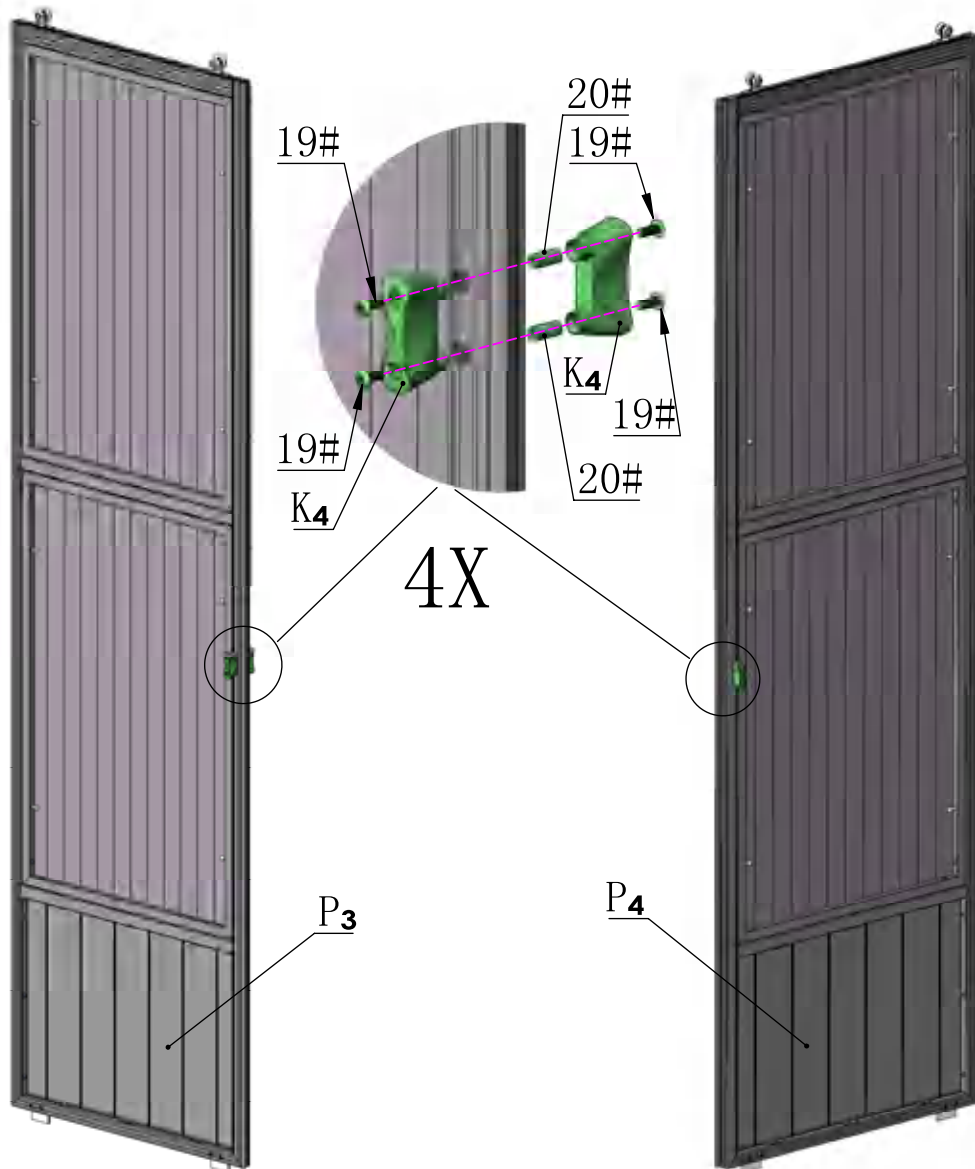
8X

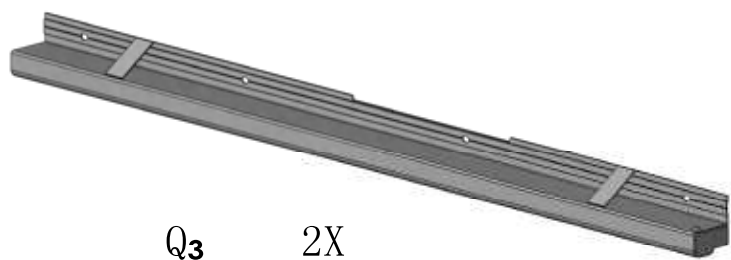
P₃

2X

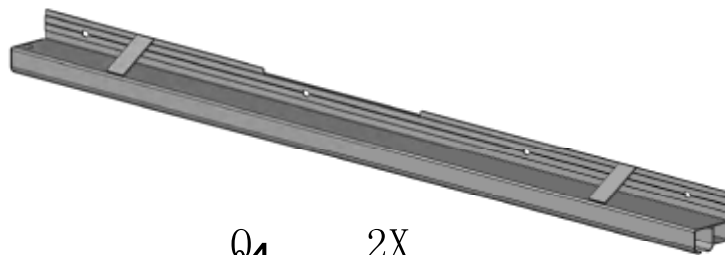
P₄

2X

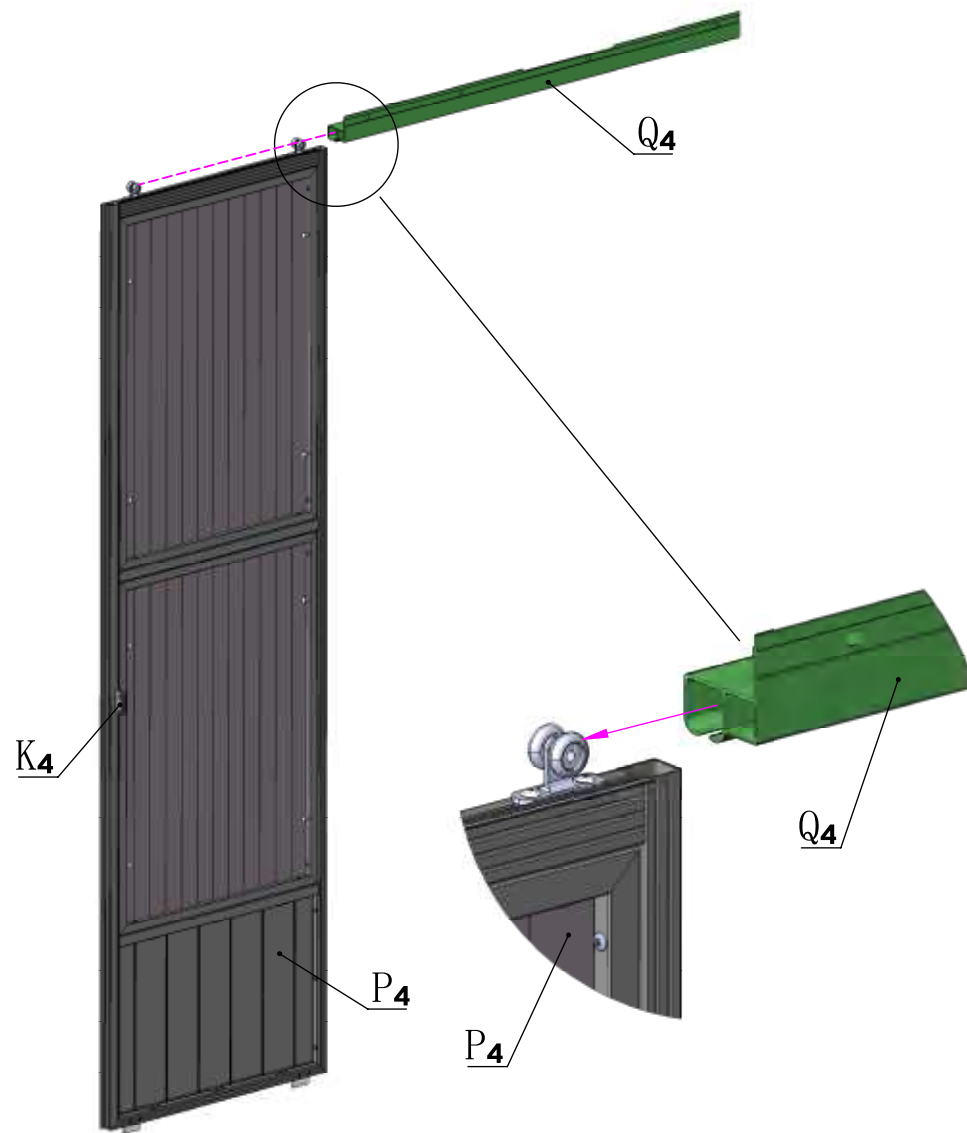
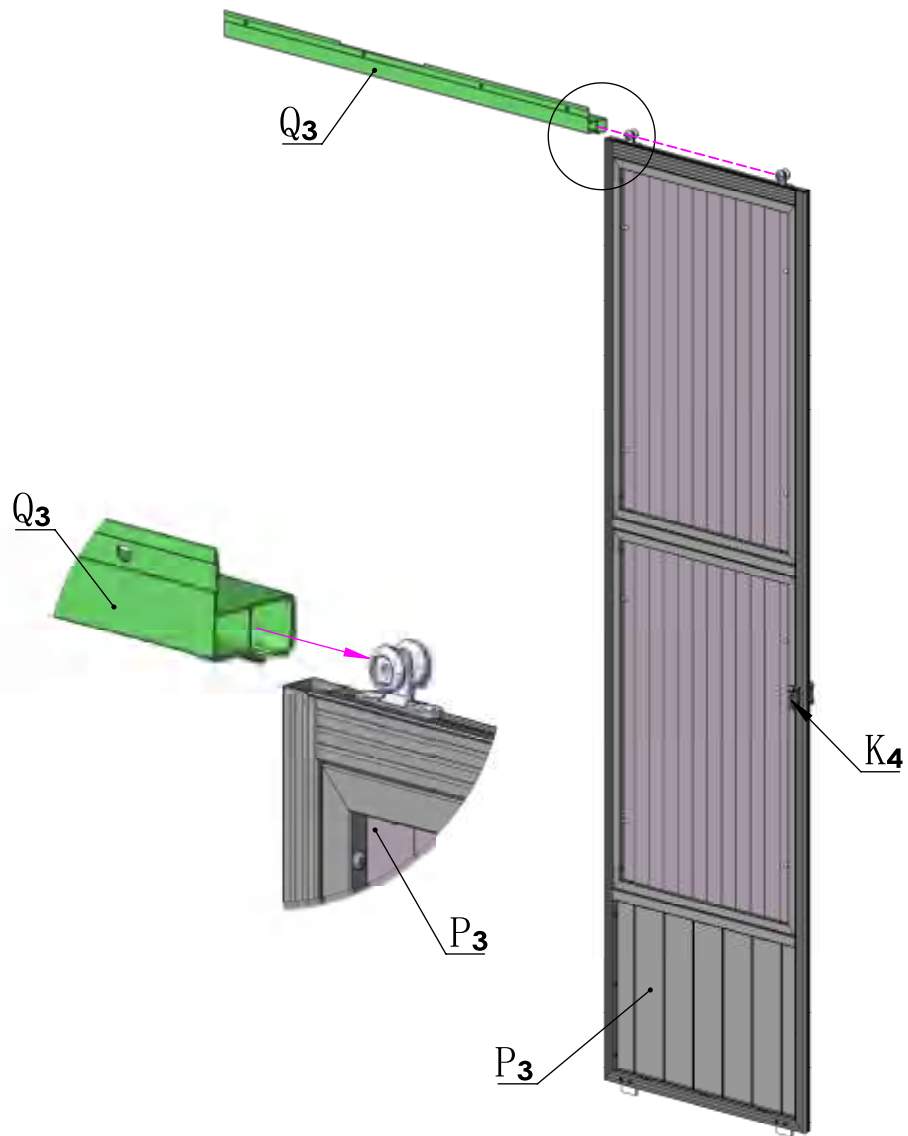




Q3 2X



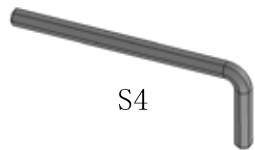
Q4 2X





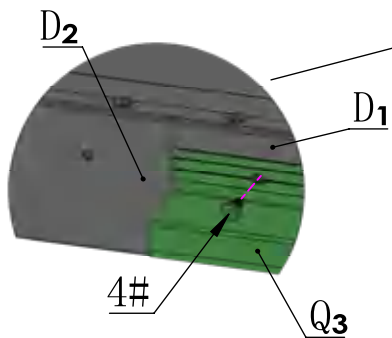
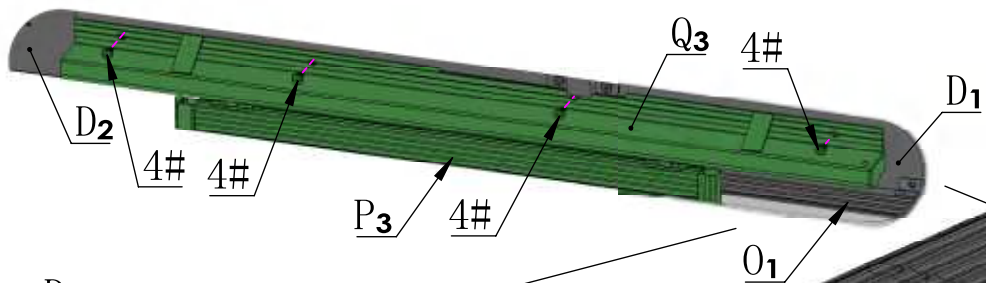
M6*16

4# 4X

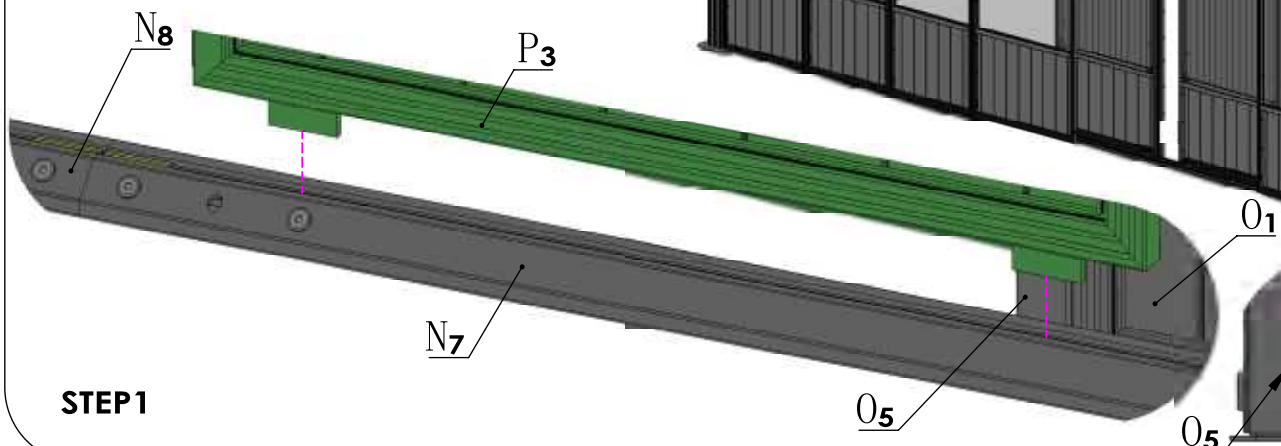
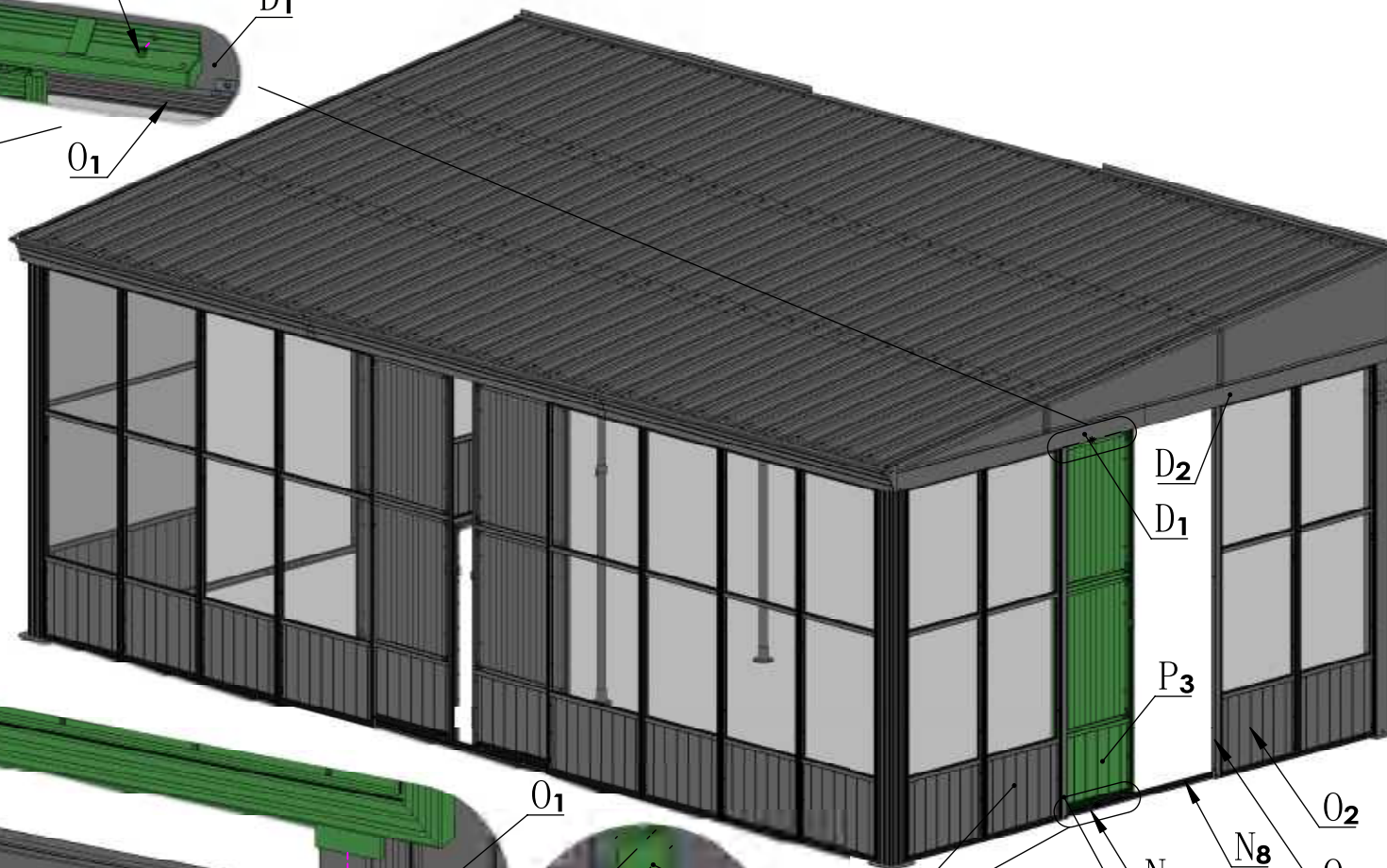


S4

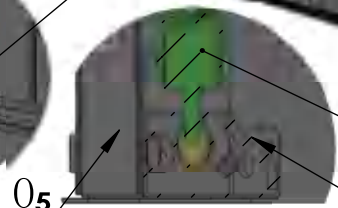
23# 1X



STEP2



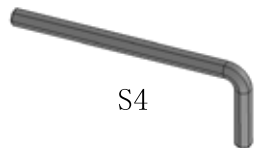
STEP1





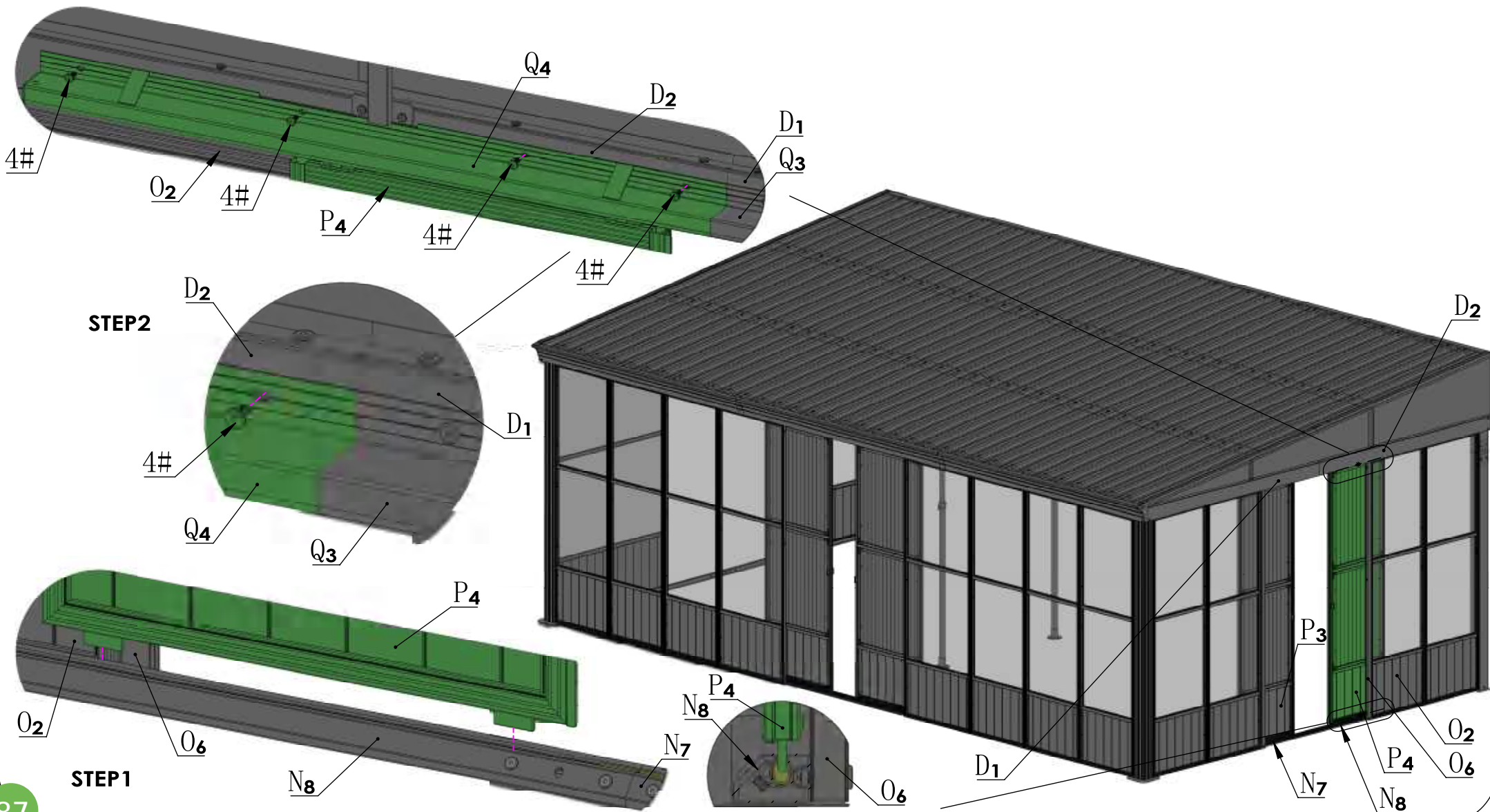
M6*16

4# 4X



S4

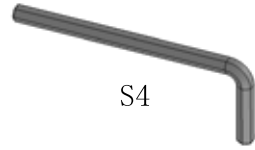
23# 1X





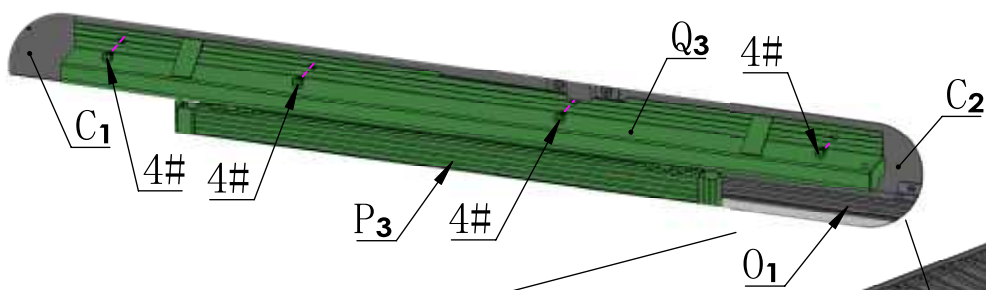
M6*16

4# 4X

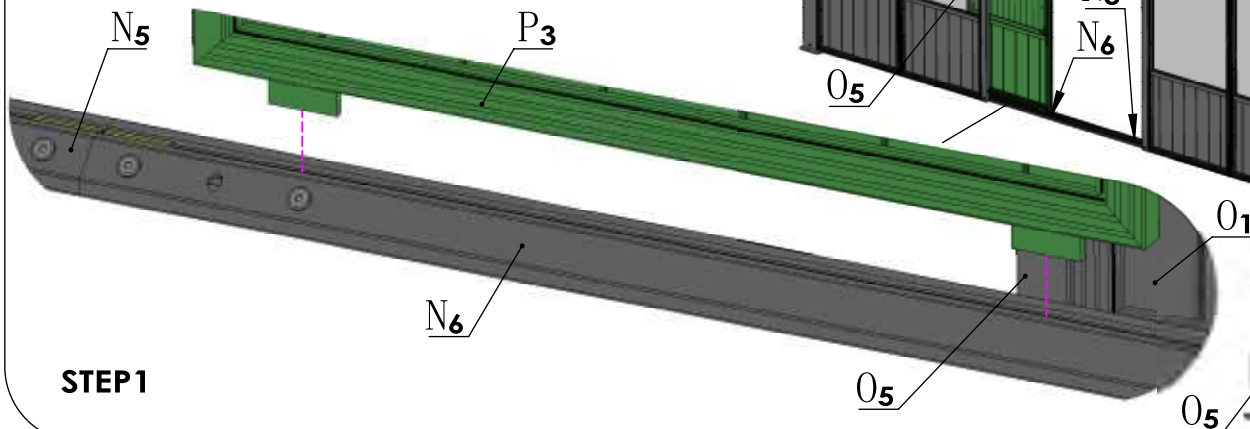
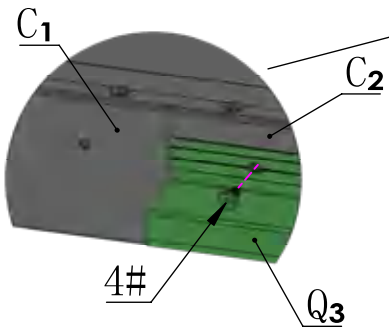


S4

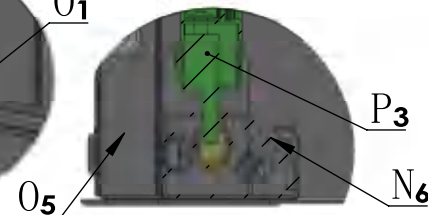
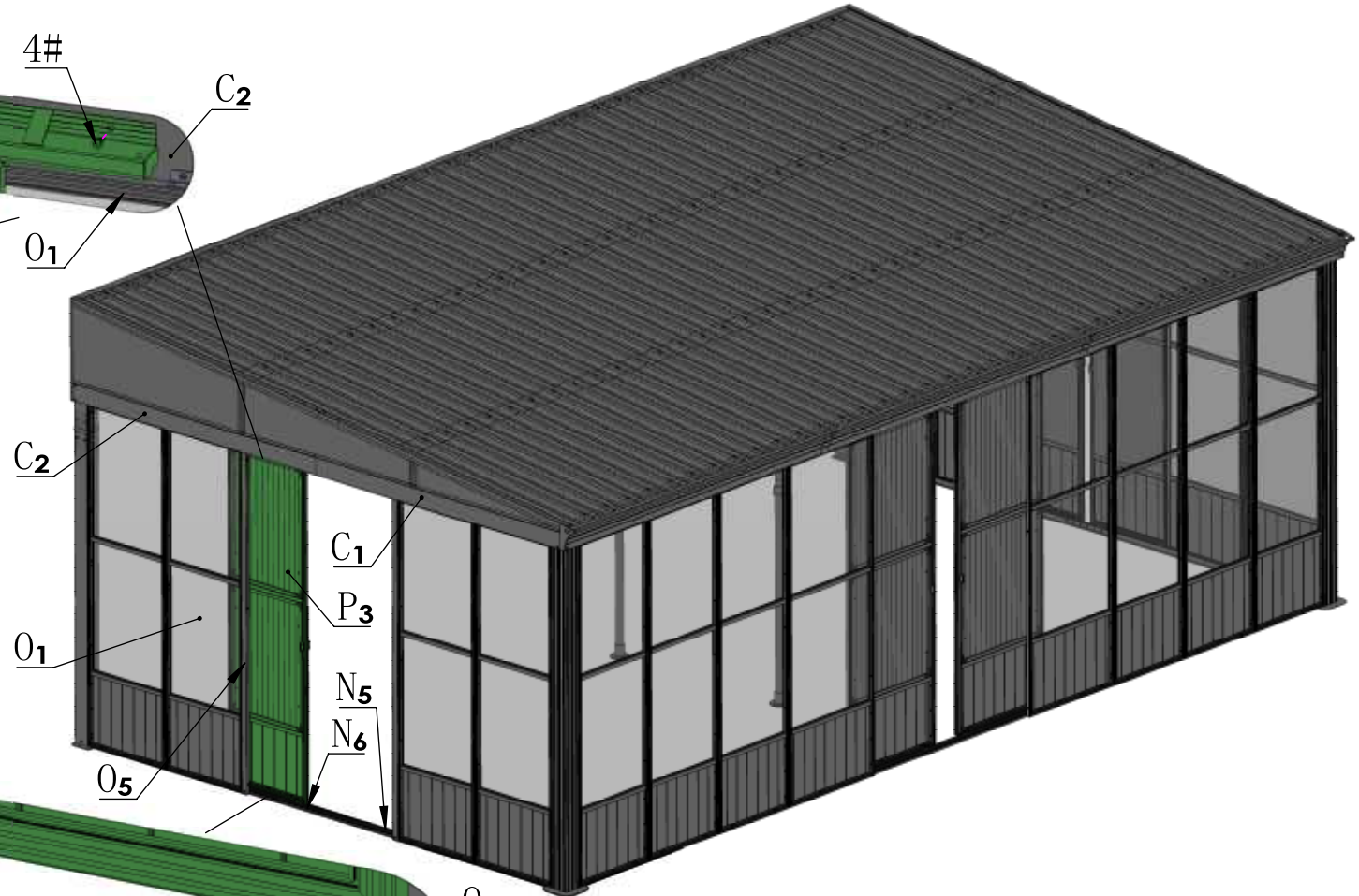
23# 1X



STEP2



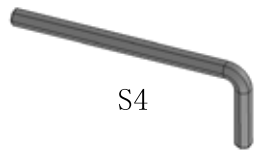
STEP1





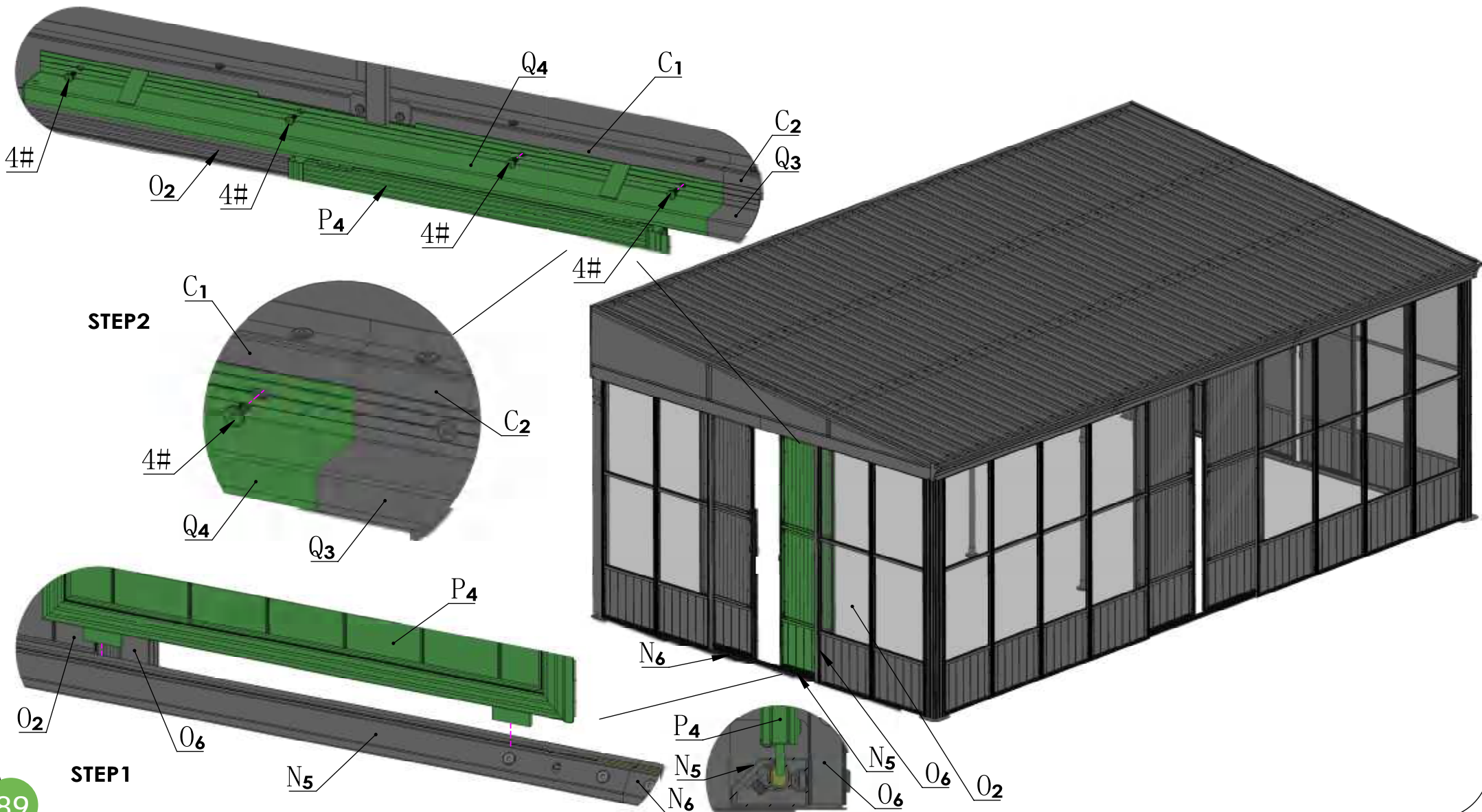
M6*16

4# 4X



S4

23# 1X





H4 3X



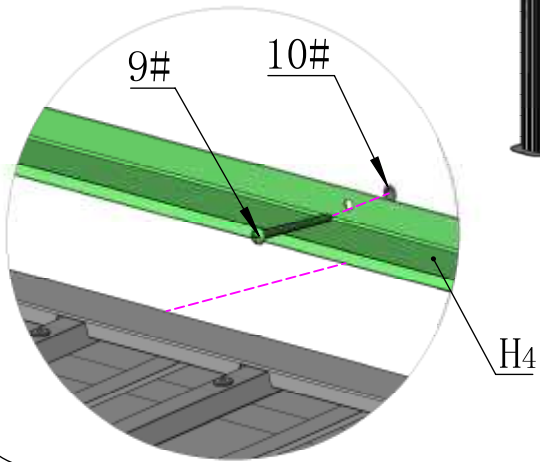
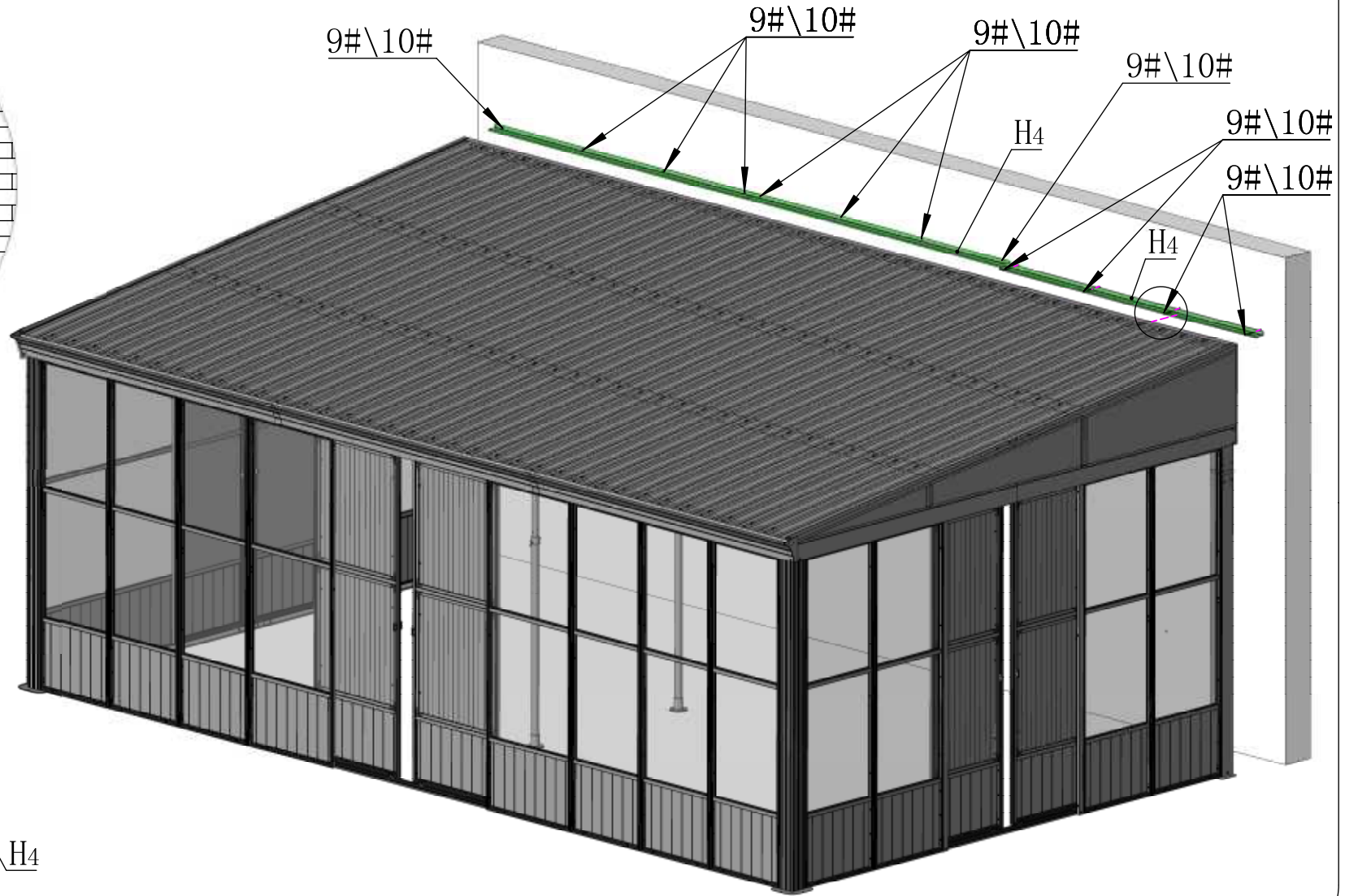
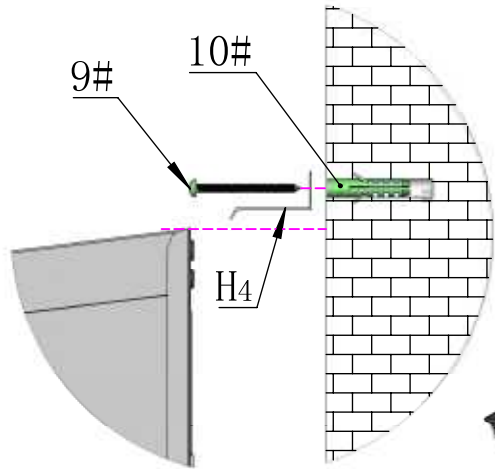
ST6.0*70

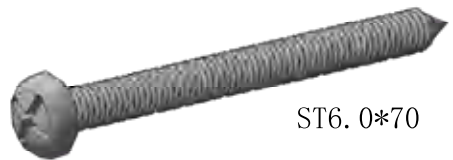
9# 12X



10# 12X

Note: If you do not consider fixing on the wall, you can skip this step. (This step requires drilling holes in the wall for fixing)





ST6. 0*70

9#

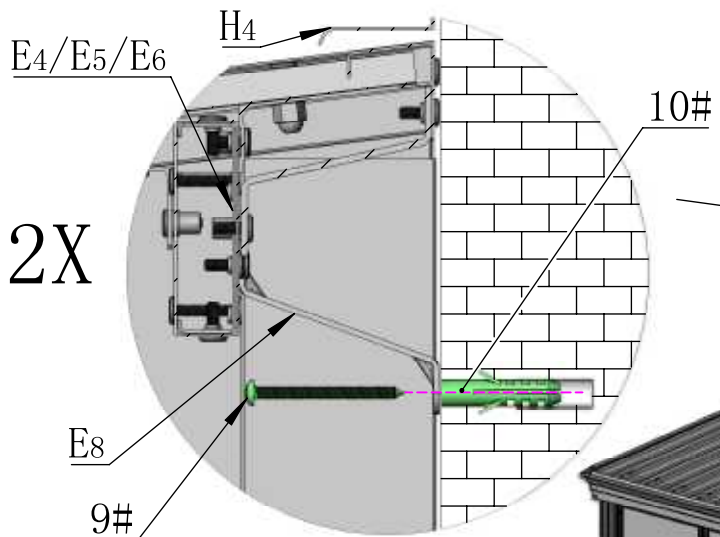
8X



10#

8X

Note: If you do not consider fixing on the wall, you can skip this step.
(This step requires drilling holes in the wall for fixing)

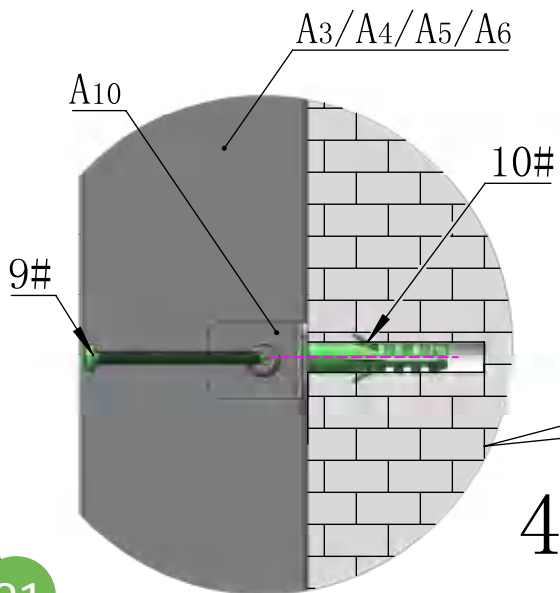


2X

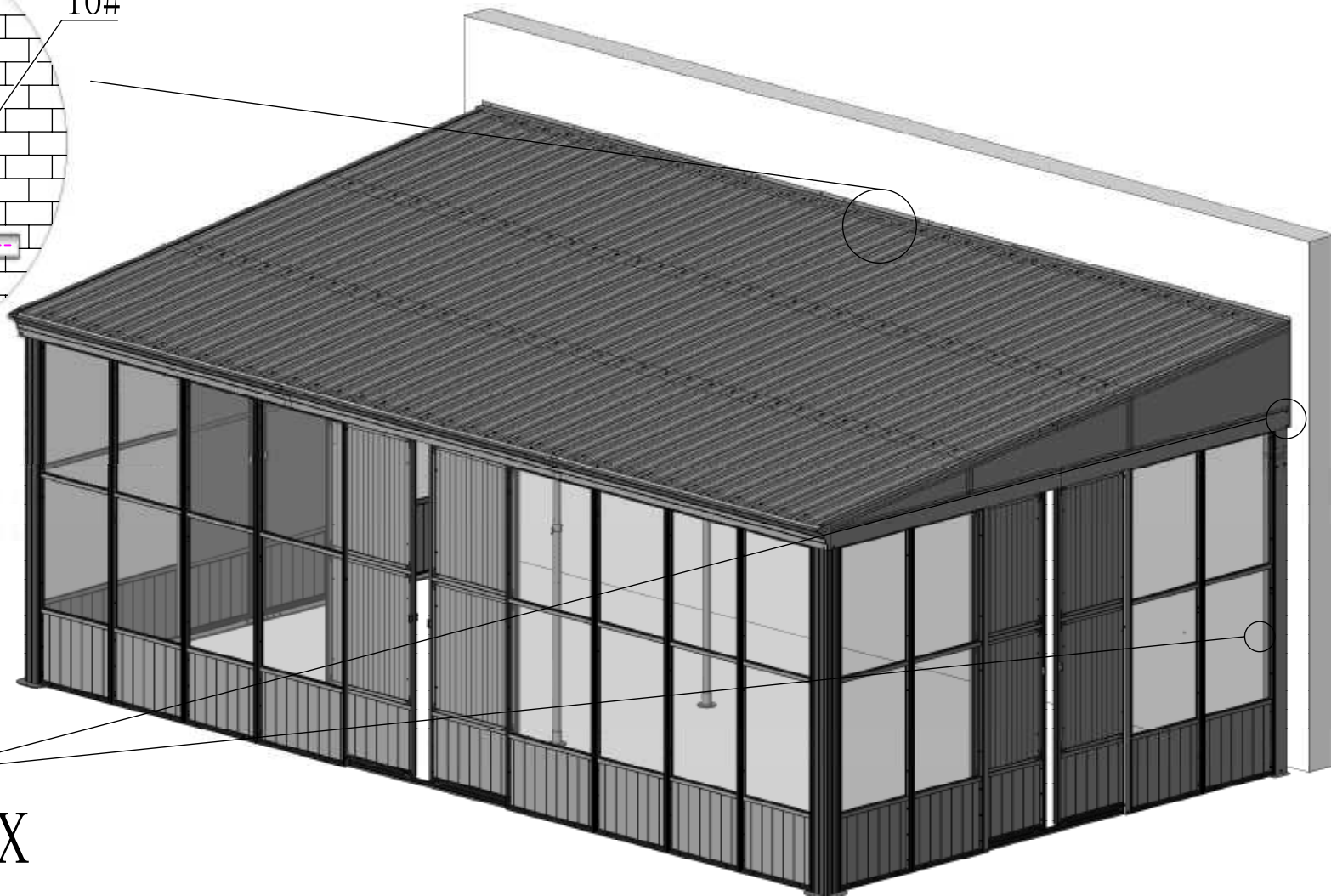
10#

E8

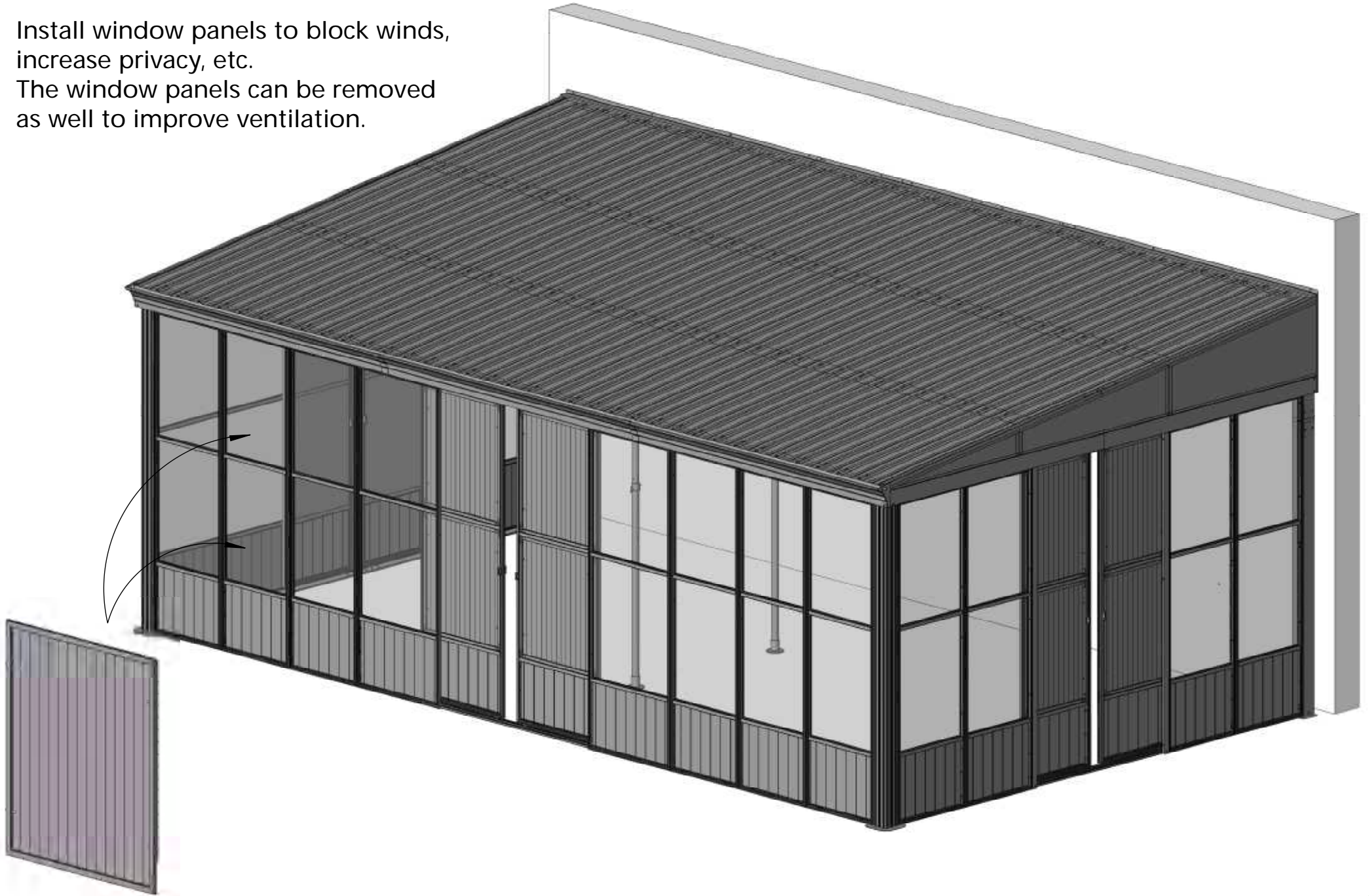
9#



4X



Install window panels to block winds,
increase privacy, etc.
The window panels can be removed
as well to improve ventilation.



Care and Cleaning

Wash frame part with mild soap and water, rinse thoroughly.

Do not use bleach, or other solvents on the frame parts.

Please check periodically that the sunroom is anchored properly to the floor or ground to enjoy its safe usage.

Please check periodically that all screws are tight to maintain the solidity of the structure.

Please remove any snow accumulation at all times.

Warranty

Frames

Frames constructions are warranted to be free from defects in material and workmanship for 1 year from item purchased. Damage to frame from negligence won't be covered by this warranty.

Bolts & nuts

Bolts and nuts are warranted to be free from defects in material and workmanship for 1 year from item purchased. Damage from exposure to chemicals (including not only oils ,spills, fluids) won't be covered by this warranty.

Warranty Limitation

This warranty is for the original purchase order only. (Order number required). This warranty is non-transferable. Domi outdoor living is responsible for the free replacement part including shipping charges for the 1 year warranty.

Warranty Exclusion

This warranty does not cover products subject to negligence, abuse usage, inappropriate installation. Domi outdoor living reserves the right to explain warranty exclusions. When the replacement item is applied, the 1 year warranty automatically expires. Please feel free to contact us for applying warranty.



RESORT COMFORT IN YONR
OWN BACKYARD

Support:



Business cooperation contact email:

marketing@domioutdoorliving.com

After-sales contact email:

service@domioutdoorliving.com

Please tell us your order ID when contact.

Attach photos of damaged part for instant reply.