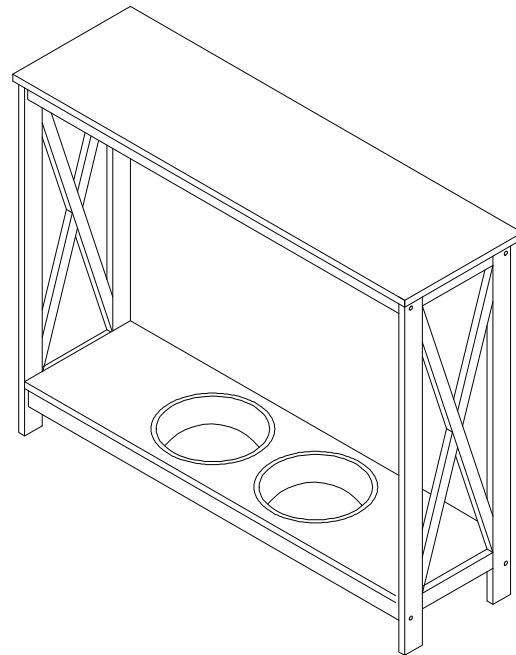


User Manual



You need

① Tools required

A Phillips head screwdriver is required for the assembly of this product. (not included)

Power tools should not be used to assemble this product.

② 1 person is needed

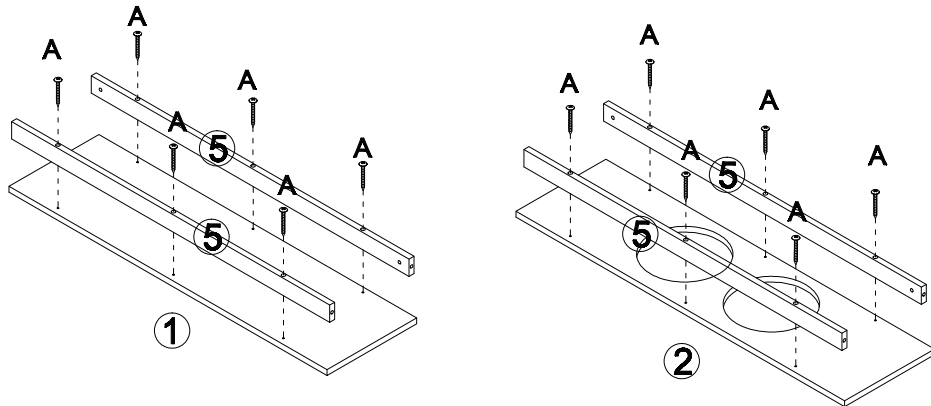
Hardware List

① 1PC	② 1PC	③ 1PC	④ 1PC	⑤ 4PCS
A 12PCS	B 8PCS	C 8PCS	D 8PCS	E 2PCS

PRODUCT ASSEMBLY

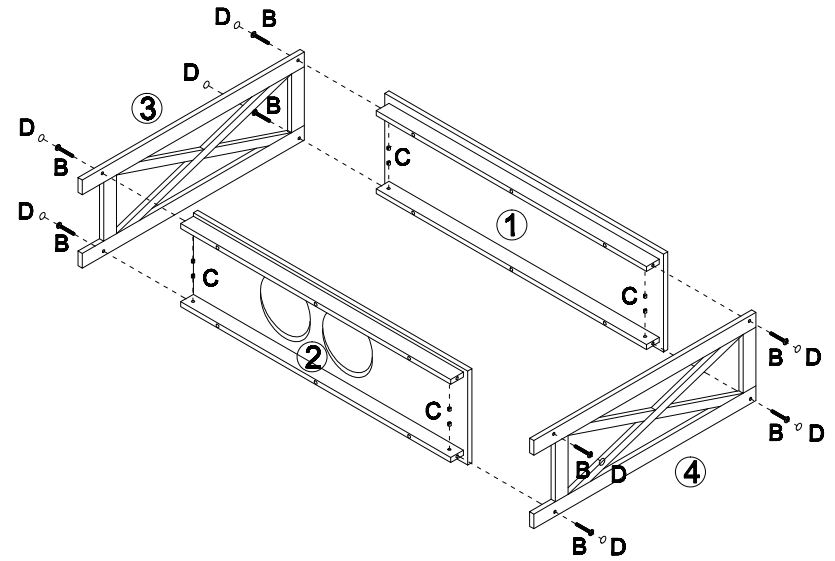
⚠ Check the package contents before getting started !

STEP 1



PRODUCT ASSEMBLY

STEP 2



STEP 3

