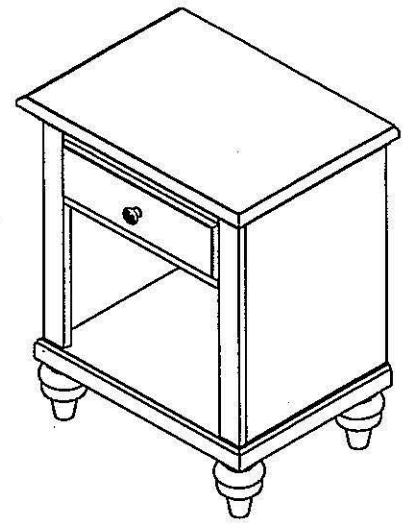


# Night Stand

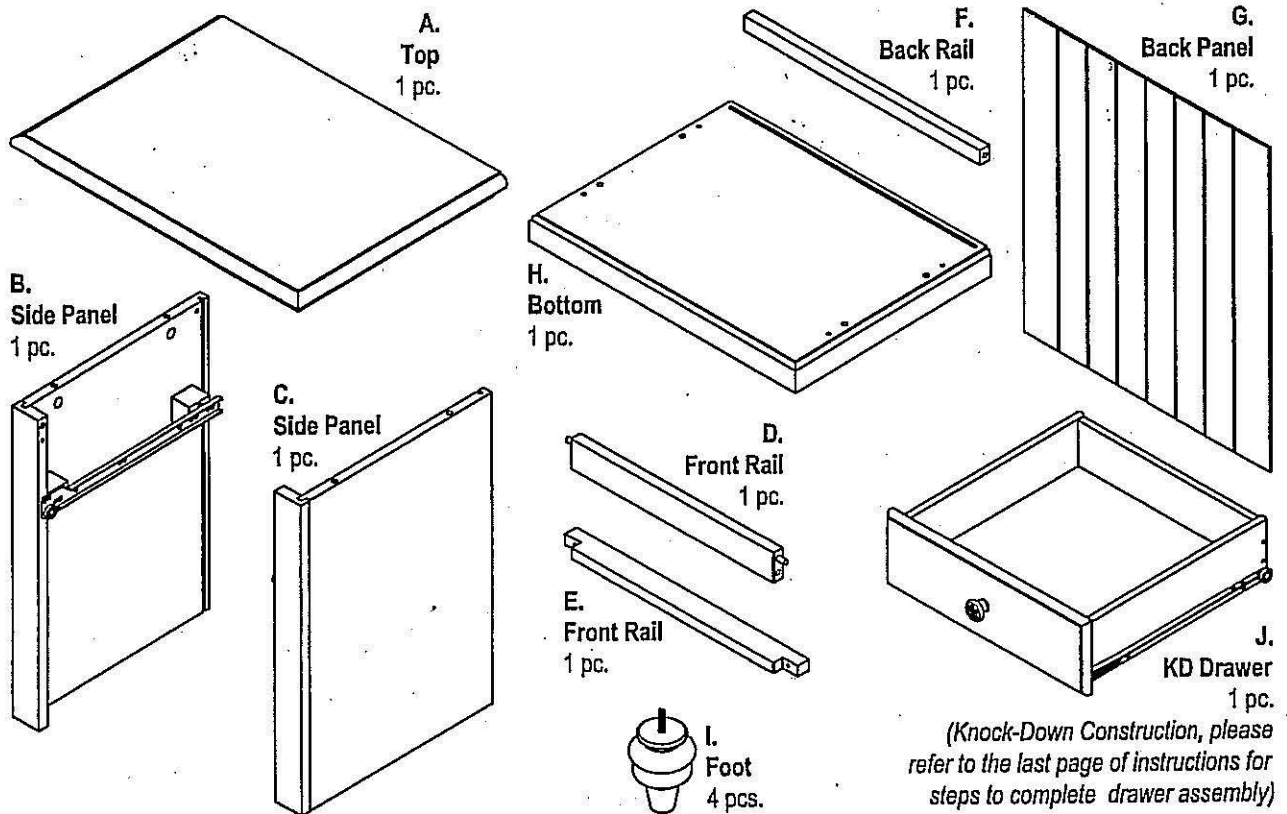


## IMPORTANT NOTE

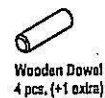
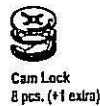
Carefully remove all the parts from the carton and put them individually on a soft cloth to prevent scratches or other damages occurring to the parts.

We have taken great care in the design of this product and request that you carefully and strictly follow our assembly instructions to ensure a completed product as it was designed.

## Part List



## Hardware List



Tools Required For Assembly : Phillips screwdriver

**IMPORTANT**

\* Use a soft cloth between these parts and the floor.

**STEP 1**

Insert Cam Lock Screws into the pre-drilled holes of Top (A), Side Panel (B) and (C).

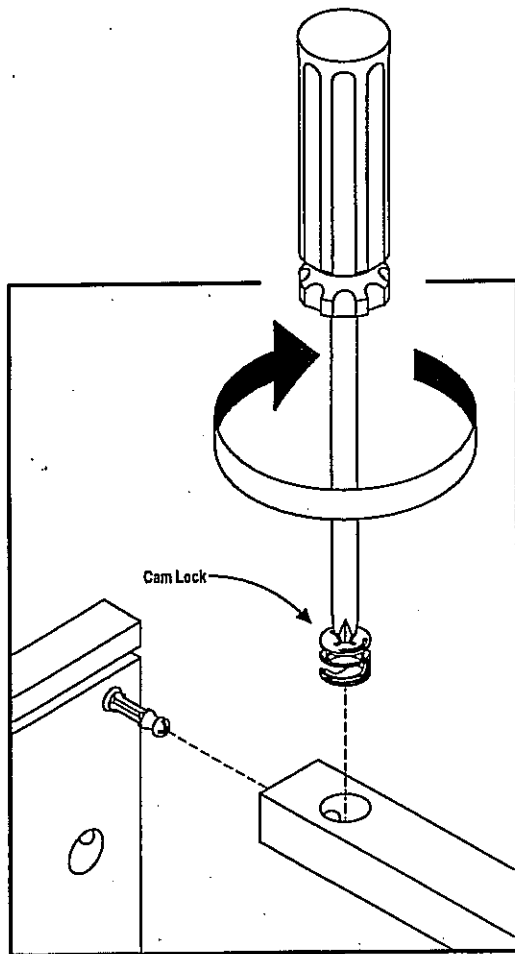
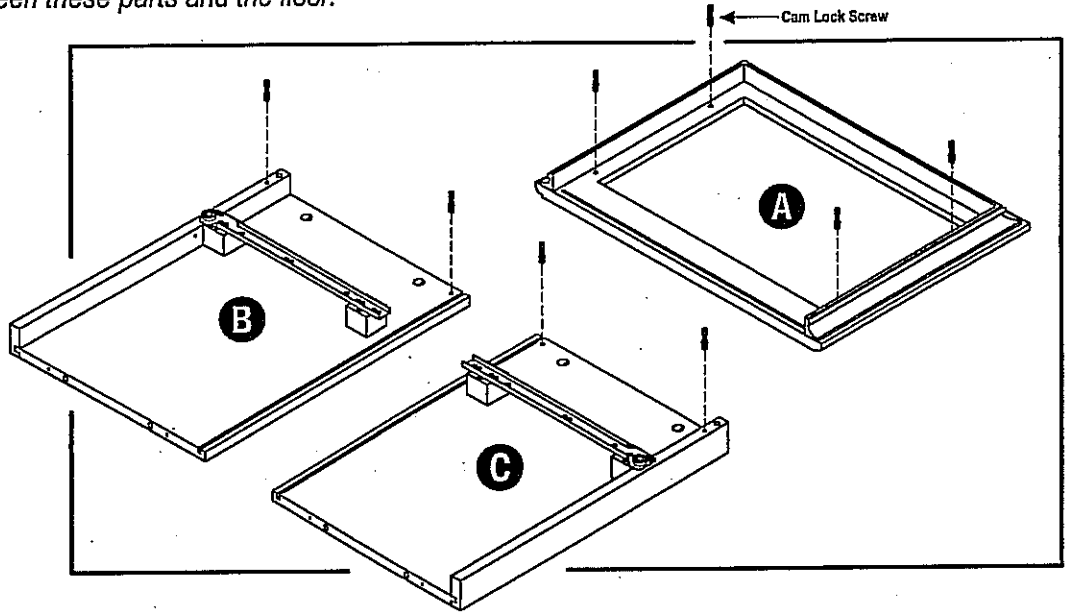
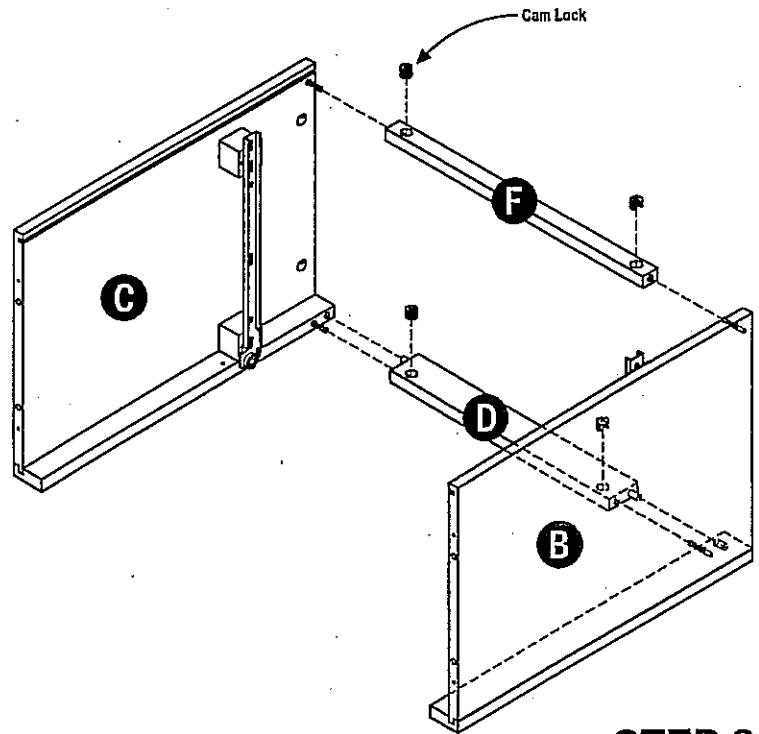


Figure 1

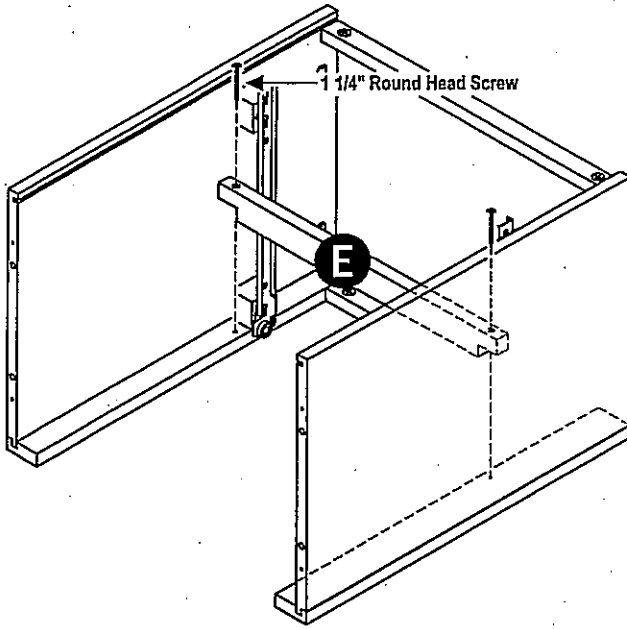


**STEP 2**

Attach Front Rail (D) and Back Rail (F) to Side Panels (B) and (C) with Cam Locks. (see Figure 1).

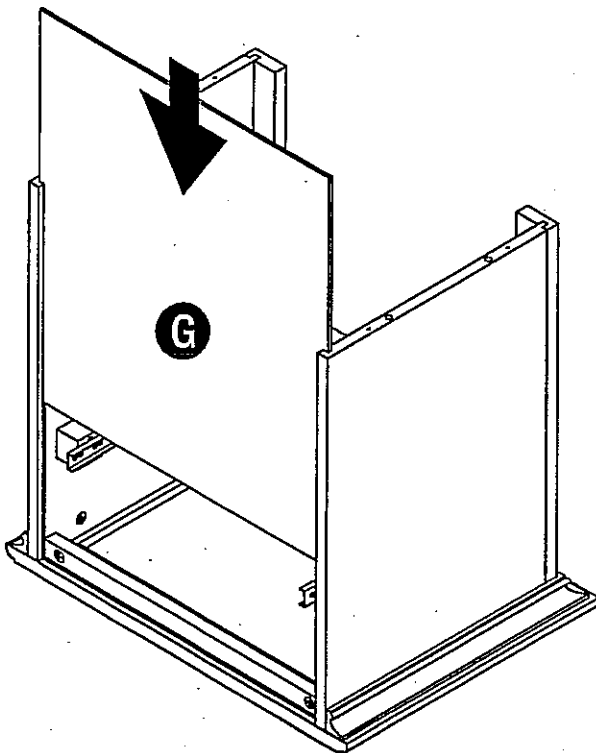
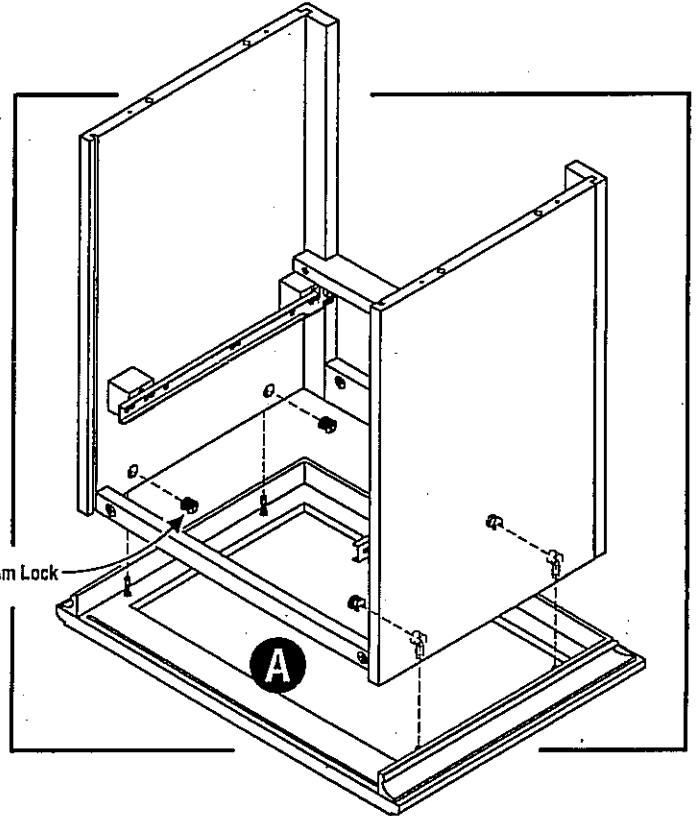
### STEP 3

Attach Front Rail (E) to unit using 1 1/4" Round Head Screw.



### STEP 4

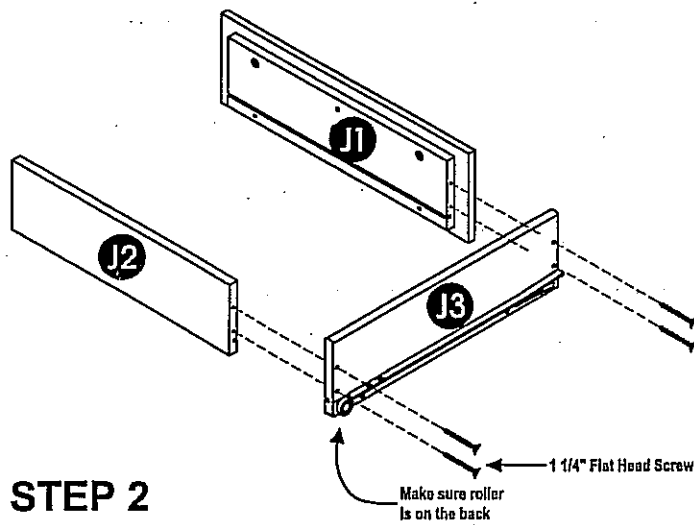
Attach Top (A) to unit using Cam Locks.



### STEP 5

Slide Back Panel (G) to unit .

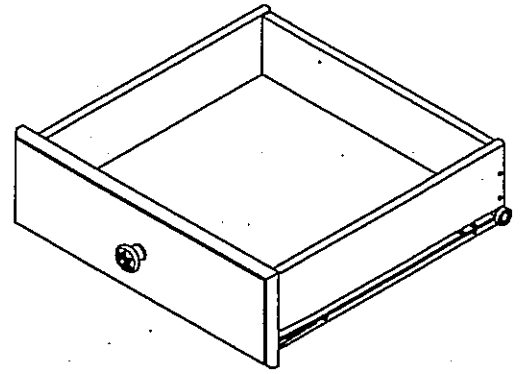
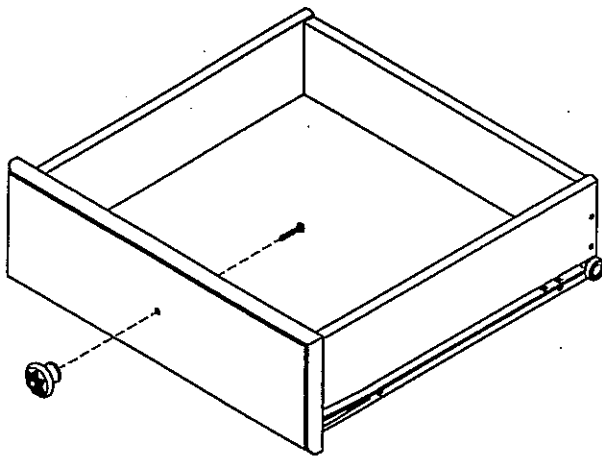
# Drawer (J)



## STEP 2

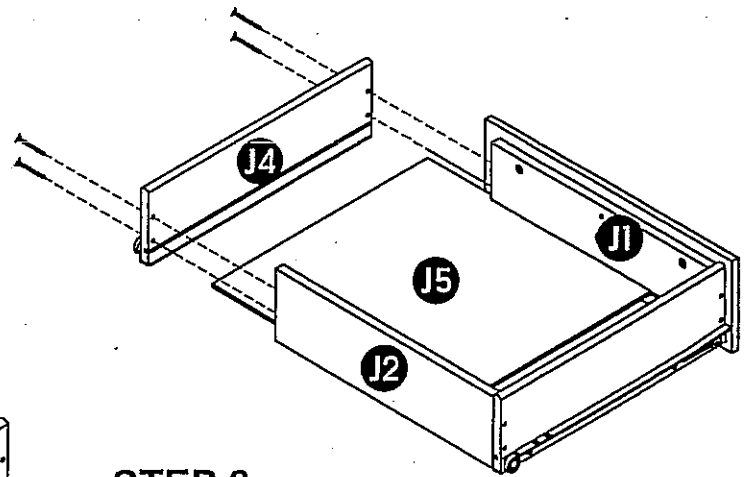
Insert Base Part (J5) into the groove.

Attach Side Part (J4) to Front Part (J1) and Back Part (J2) using a Phillips screwdriver and 1 1/4" Flat Head Screws.



## STEP 1

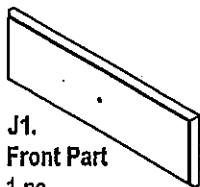
Attach Side Part (J3) to Front Part (J1) and Back Part (J2) using a Phillips screwdriver and 1 1/4" Flat Head Screws.



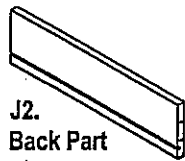
## STEP 3

Attach Handle with Machine Screws.

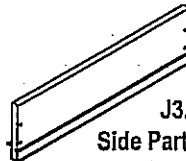
## Part List



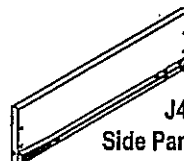
J1.  
Front Part  
1 pc.



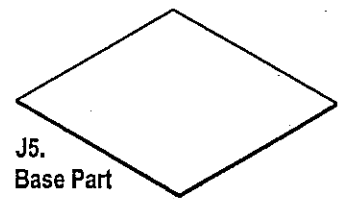
J2.  
Back Part  
1 pc.



J3.  
Side Part  
1 pc.



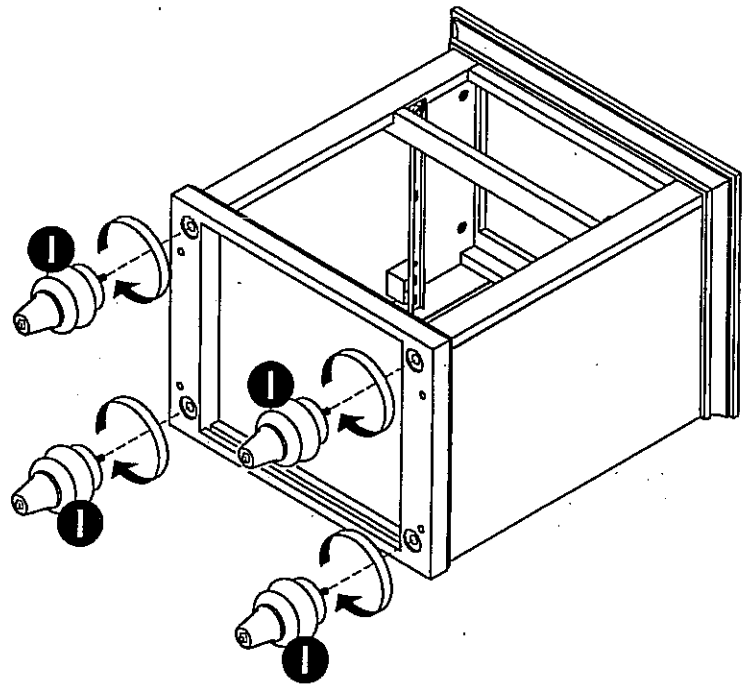
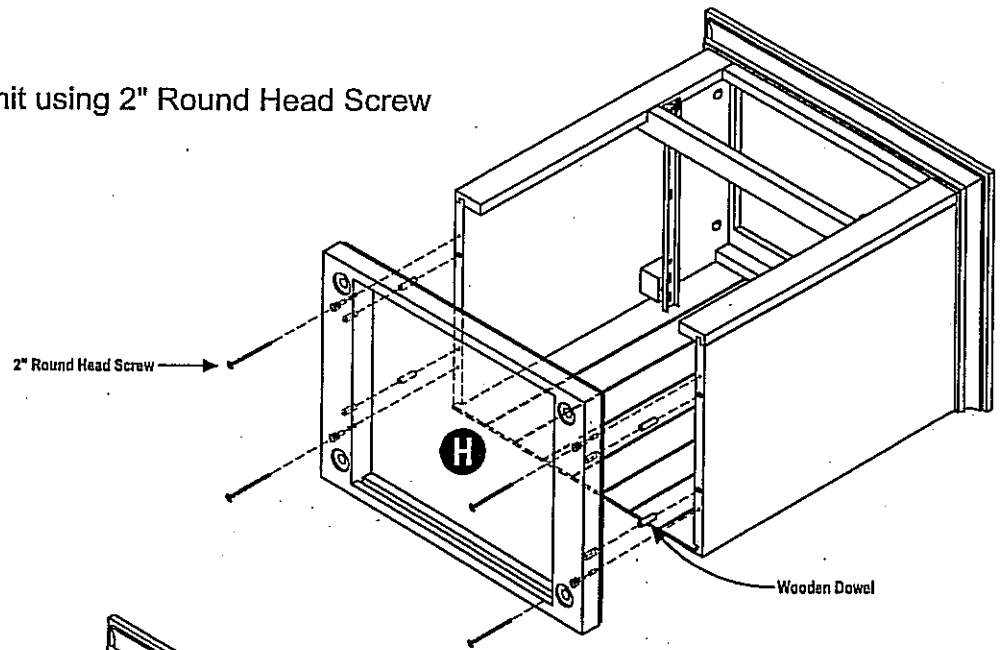
J4.  
Side Part  
1 pc.



J5.  
Base Part  
1 pc.

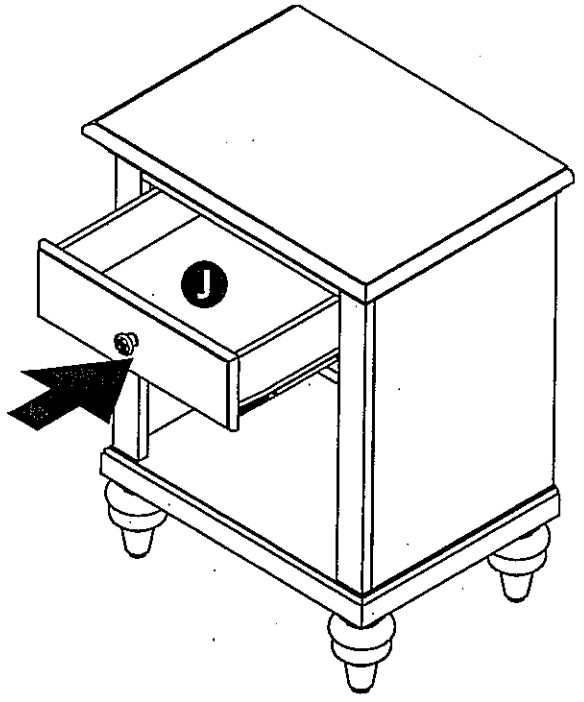
### STEP 6

Attach Bottom (H) to unit using 2" Round Head Screw and Wooden Dowels.



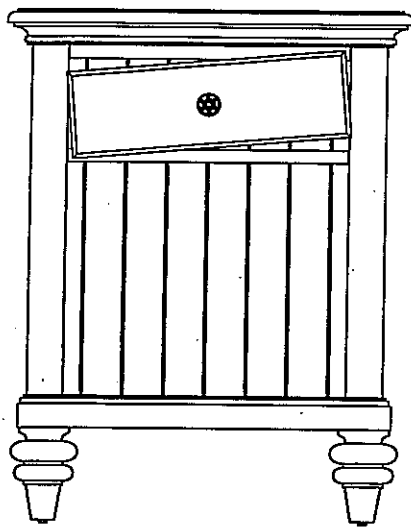
### STEP 7

Attach Feet (I) to unit.



### STEP 8

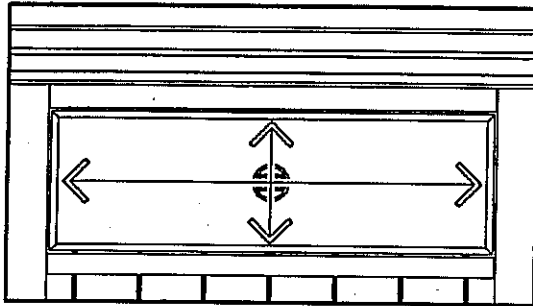
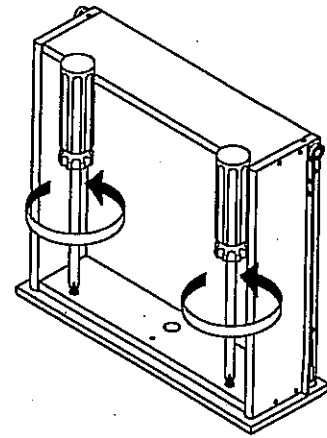
Slide Drawer (J) into place.



# I. IF A DRAWER DOES NOT ALIGN

## STEP 1

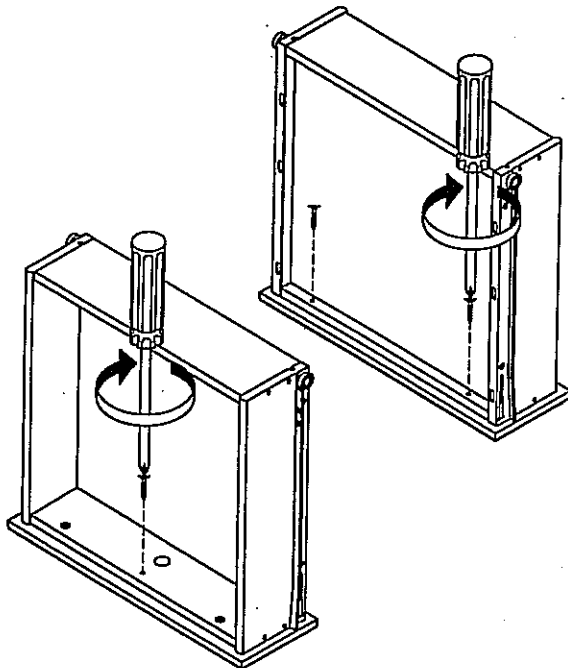
Loosen slightly the upper screws.



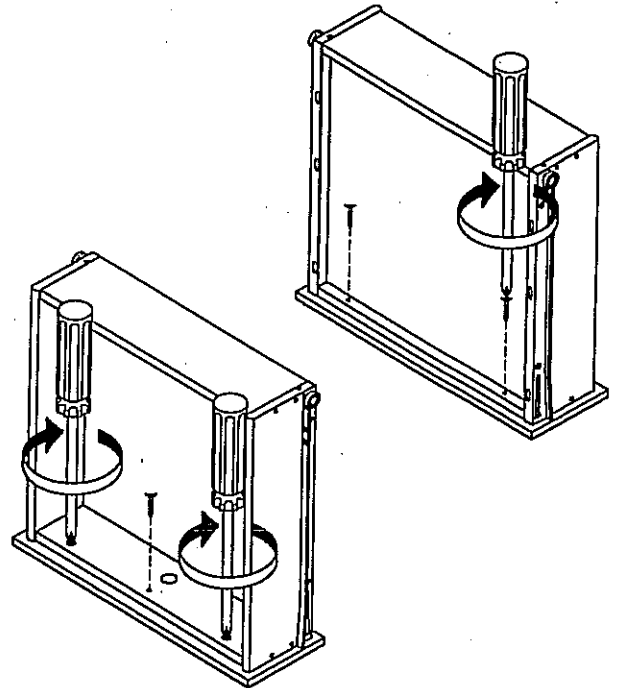
## STEP 2

Insert the drawer into the main body, then adjust the drawer front panel left or right and up or down, until the drawer gaps look proportional.

# II. IF A DRAWER ALREADY ALIGNS



Pull out drawer slowly. Lock the drawer front panel into position with 3/4" Flat Head Screws.



## STEP 3

Pull the drawer open slowly and tighten the upper screws. Make sure the front panel does not move and lock the drawer front panel into position with 3/4" Flat Head Screws.

# VERY IMPORTANT !!

## CARE INSTRUCTIONS

### NEVER

USE GLASS CLEANERS ON FINISHED FURNITURE. AMMONIA WILL CHEMICALLY ATTACK THE LACQUER.

### NEVER

ALLOW LIQUIDS OF ANY KIND TO REMAIN ON THE FURNITURE. ABSORPTION CAUSES WOOD TO WARP AND SPLIT AND FINISHES TO DELAMINATE.

DO NOT WRITE DIRECTLY ON SURFACE.



**PREVENT MARKING**

DO NOT PLACE IN DIRECT SUNLIGHT.



**PREVENT FADING**

DO NOT USE COMMERCIAL WAXES AND POLISHES.



**PREVENT YELLOWING**

DO NOT PLACE HOT OBJECTS ON SURFACE.



**PREVENT FINISH DAMAGE**

DO NOT USE RUBBER BASED PLACE MATS.



**PREVENT DISCOLORING**

## TO CLEAN

USE A SOFT CLOTH MOISTENED IN LEMON OIL POLISH OR LUKEWARM SOAP AND WATER, THEN BUFF WITH A DRY CLEAN CLOTH.

