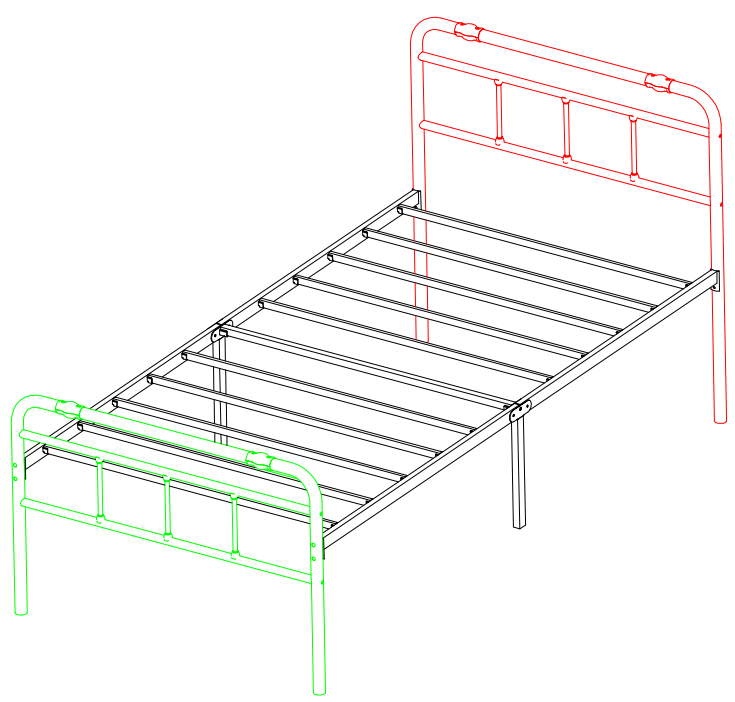
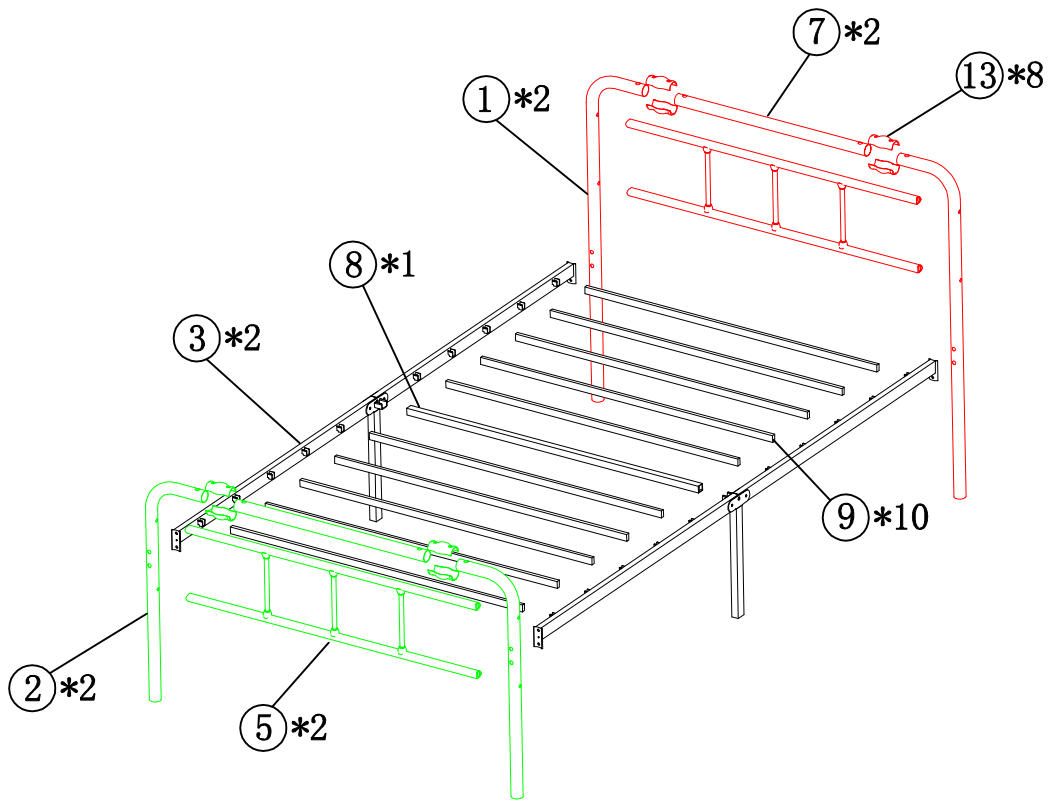


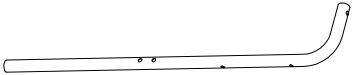







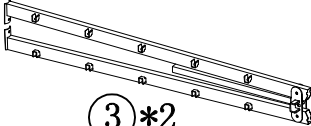
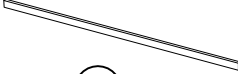

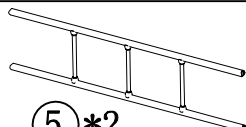


ASSEMBLY INSTRUCTION

If you have any questions about the product, please don't hesitate to contact us.




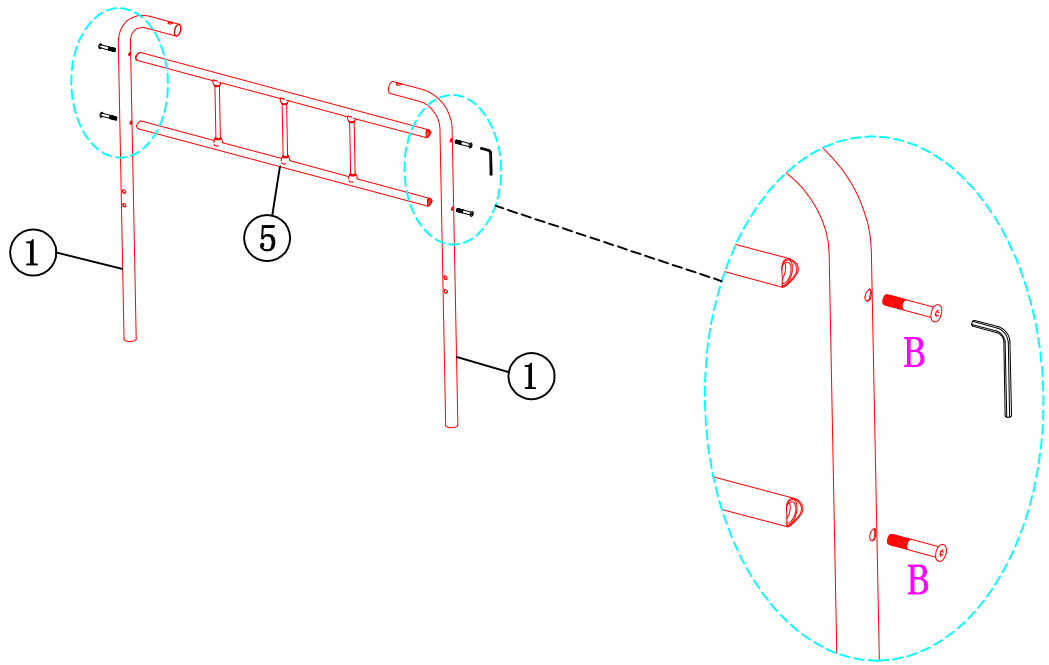
Size: Twin/Twin XL



 <p>①*2</p>	 <p>⑦*2</p>	 <p>B*8 (M8*50)</p>	 <p>F*2 (M8*35)</p>
 <p>②*2</p>	 <p>⑧*1</p>	 <p>C*8 (M6*28)</p>	 <p>K*1</p>
 <p>③*2</p>	 <p>⑨*10</p>	 <p>D*8 (M6)</p>	
 <p>⑤*2</p>	 <p>⑬*8</p>	 <p>E*8 (M8*40)</p>	


Step1

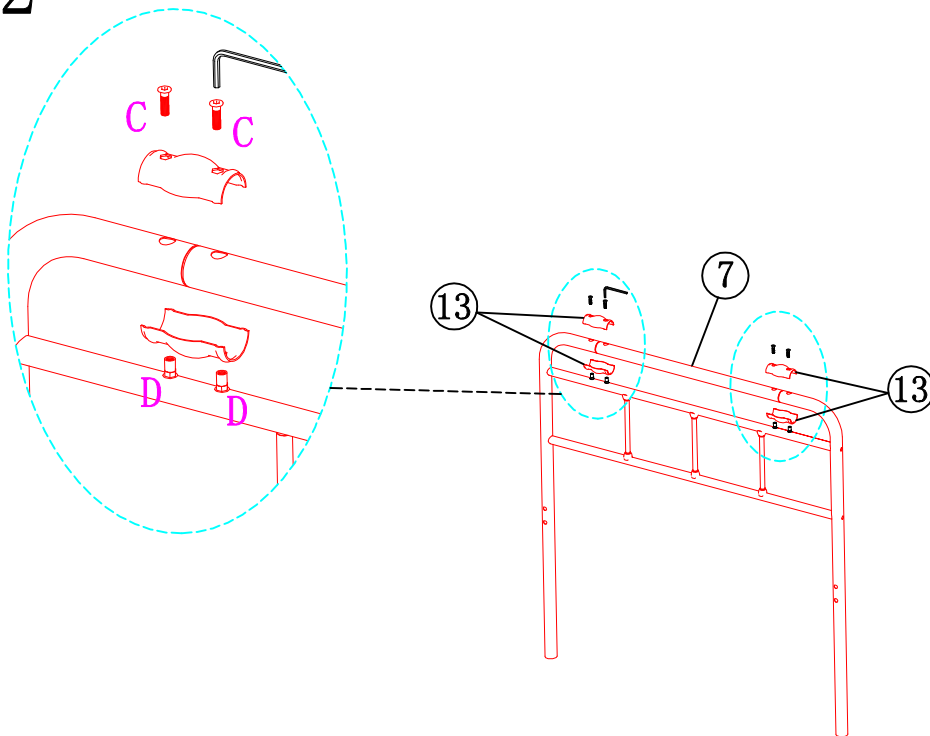

B*4
(M8*50)



Step2


C*4
(M6*28)

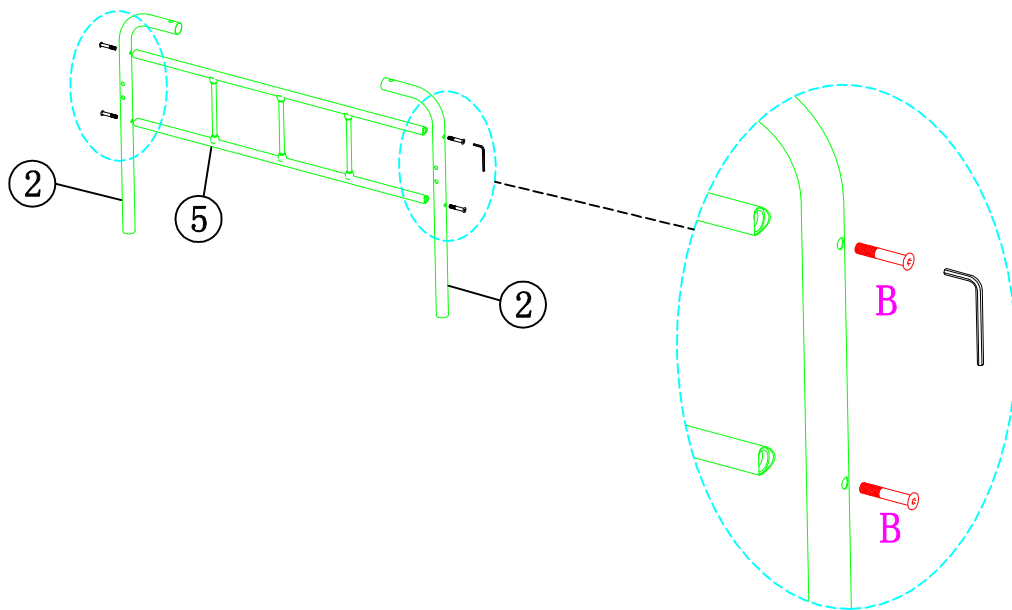

D*4
(M6)



Step3



B*4
(M8*50)



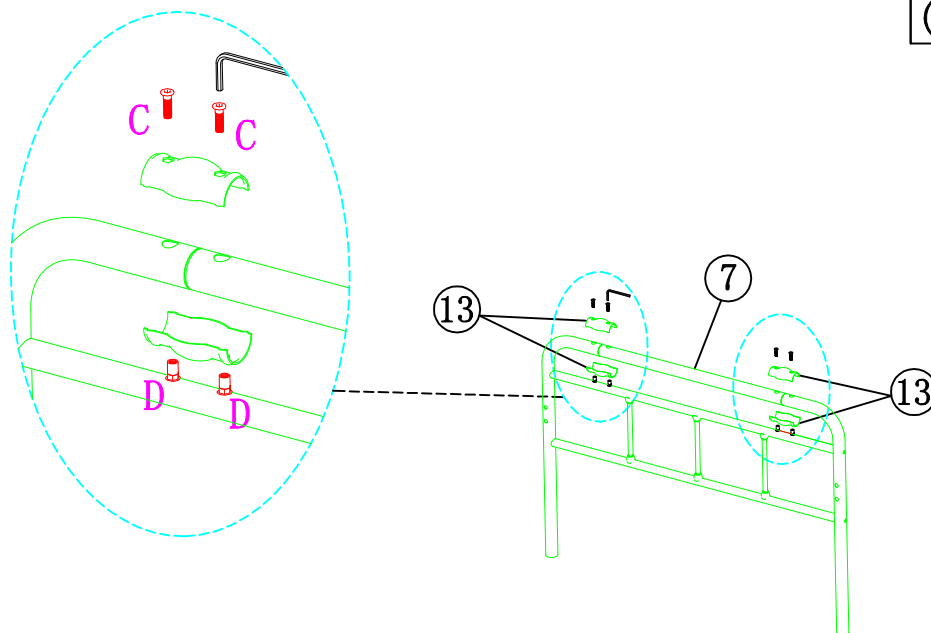
Step4



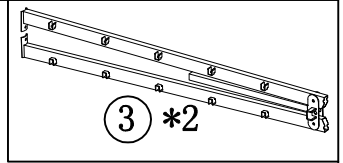
C*4
(M6*28)



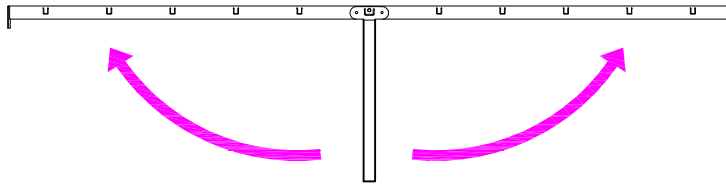
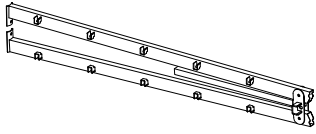
D*4
(M6)



Step5



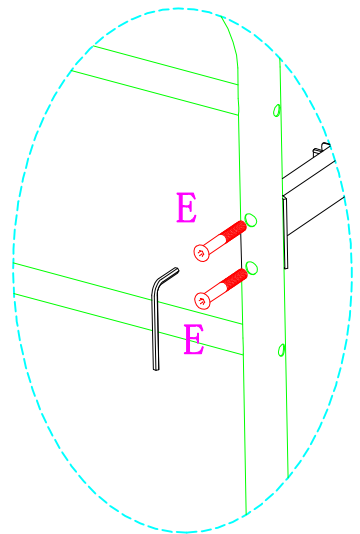
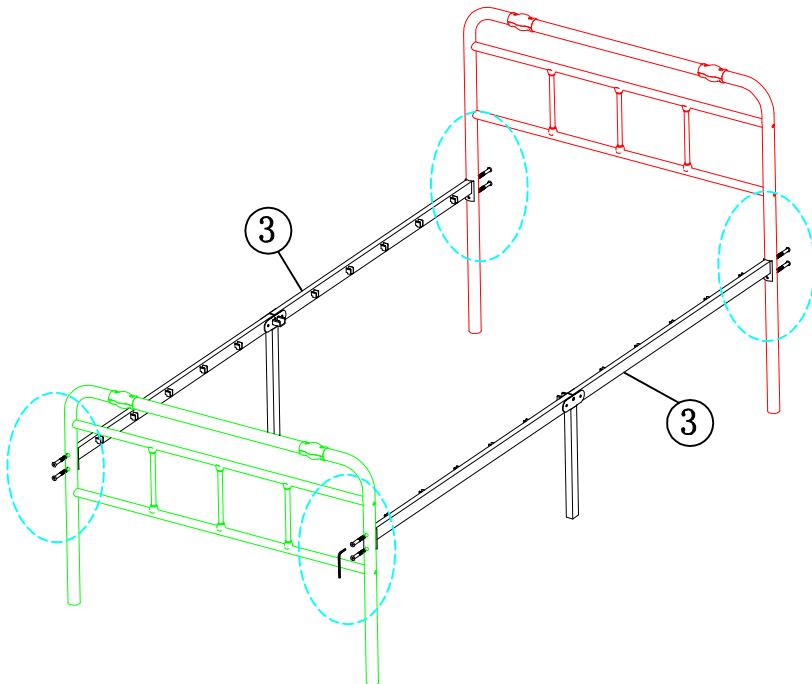
(3) * 2



Step6



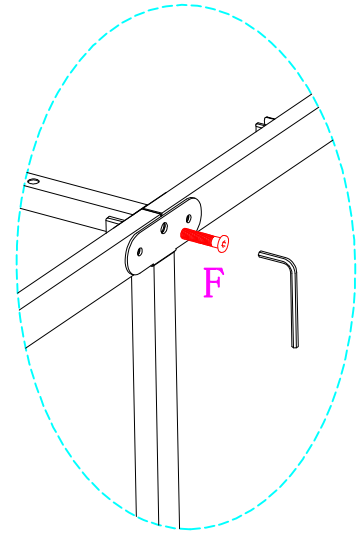
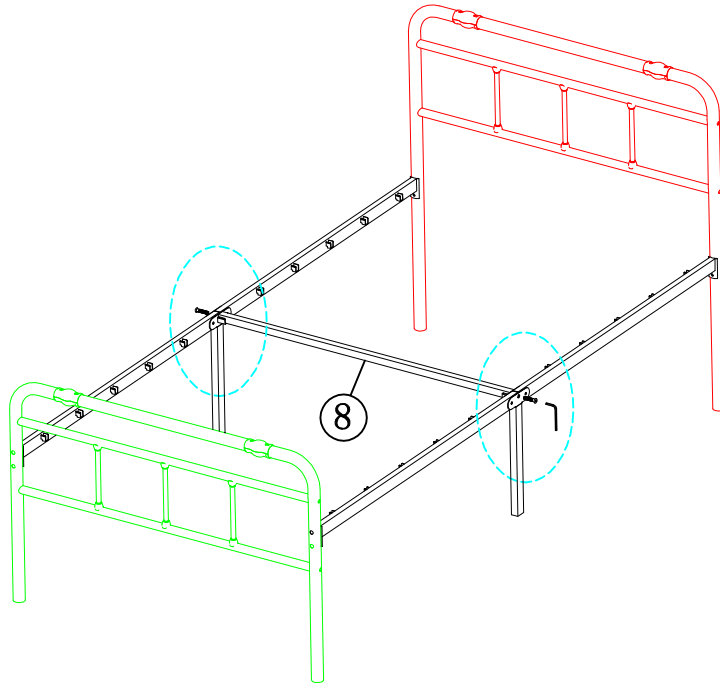
E*8
(M8*40)



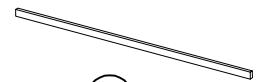
Step7



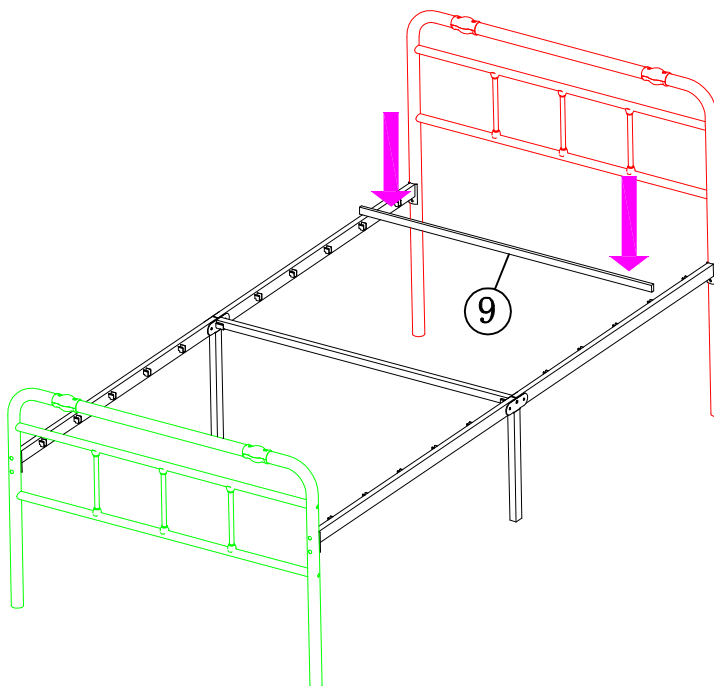
F*2
(M8*35)



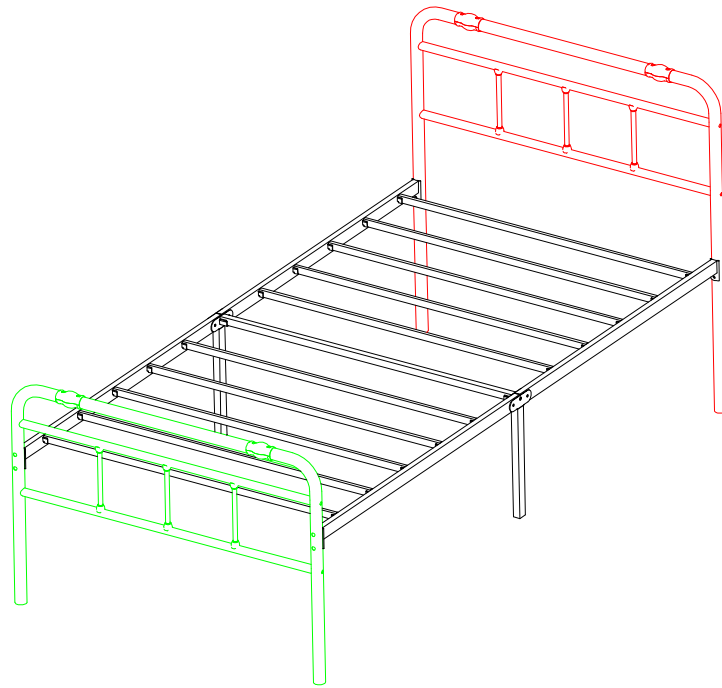
Step8



9*10



Step9

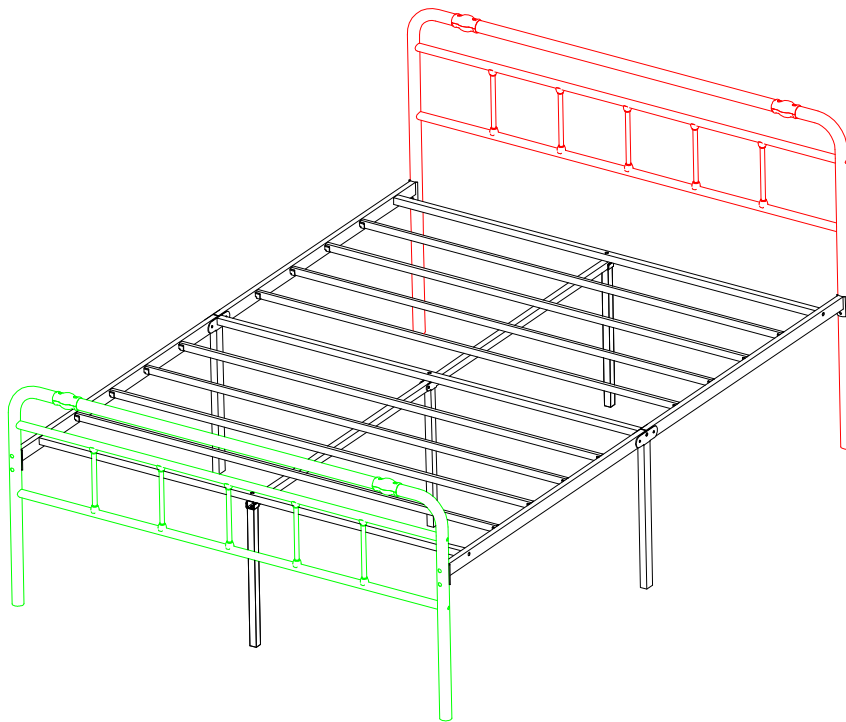


[Back to Top](#)

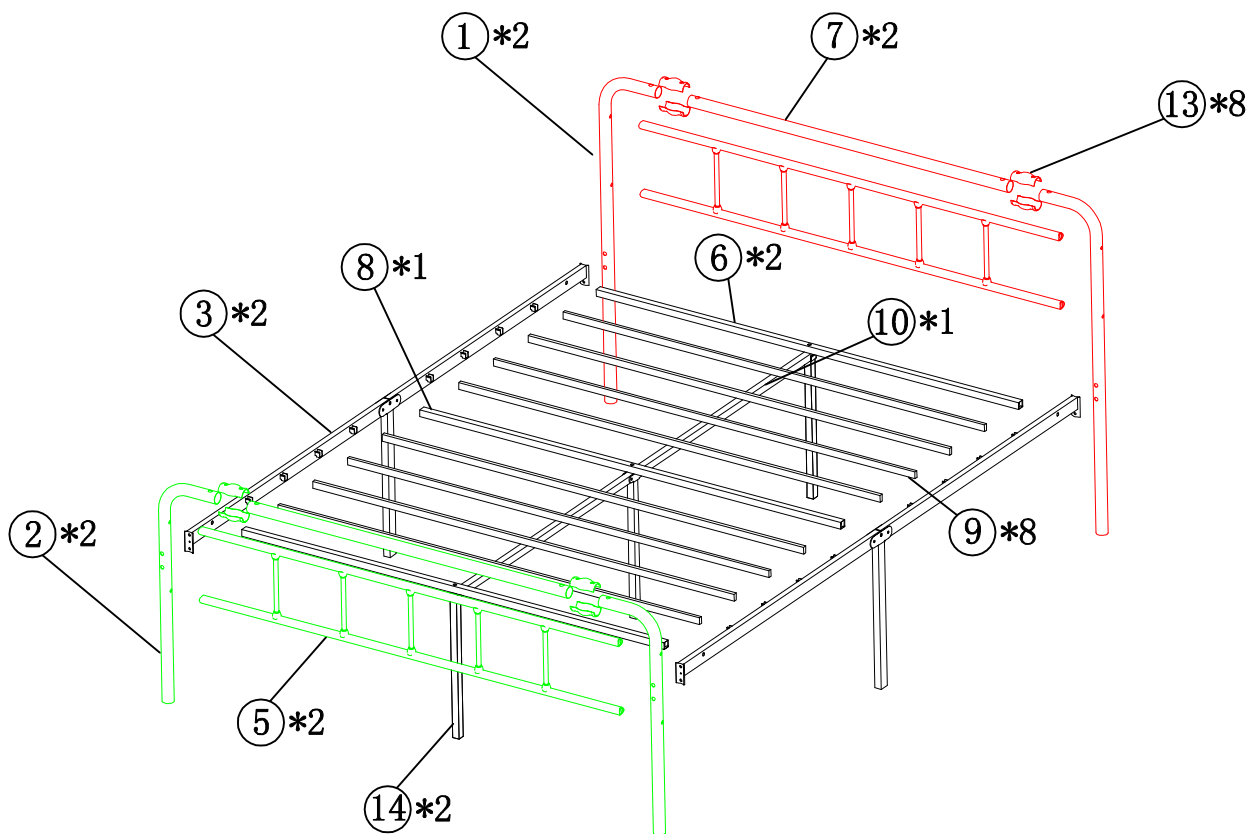
In the last step. please make sure all the screws are tightened.

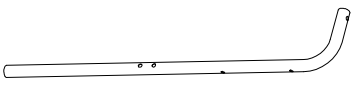



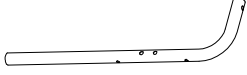
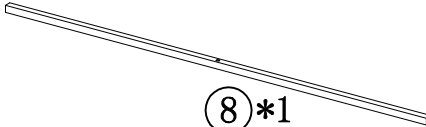


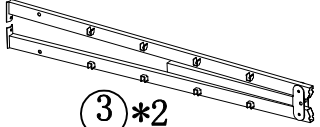



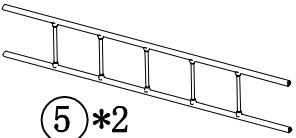

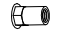
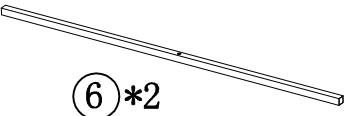


ASSEMBLY INSTRUCTION

If you have any questions about the product,
please don't hesitate to contact us.






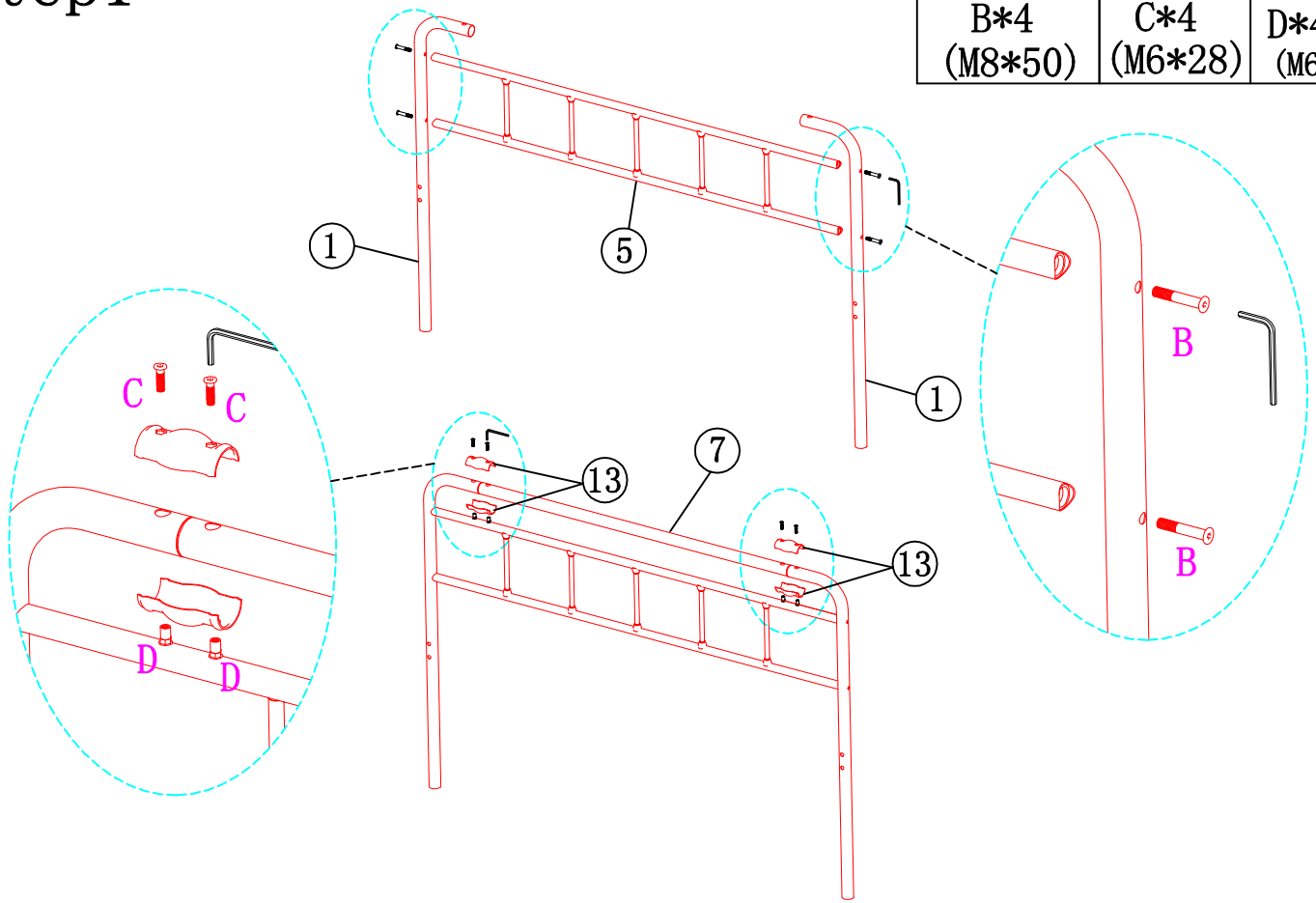
Size: Full






 <p>①*2</p>	 <p>⑦*2</p>	 <p>⑭*2</p>	 <p>F*6 (M8*35)</p>
 <p>②*2</p>	 <p>⑧*1</p>	 <p>B*8 (M8*50)</p>	 <p>H*3 (M8*55)</p>
 <p>③*2</p>	 <p>⑨*8</p>	 <p>C*8 (M6*28)</p>	 <p>K*1</p>
 <p>⑤*2</p>	 <p>⑩*1</p>	 <p>D*8 (M6)</p>	
 <p>⑥*2</p>	 <p>⑬*8</p>	 <p>E*8 (M8*40)</p>	

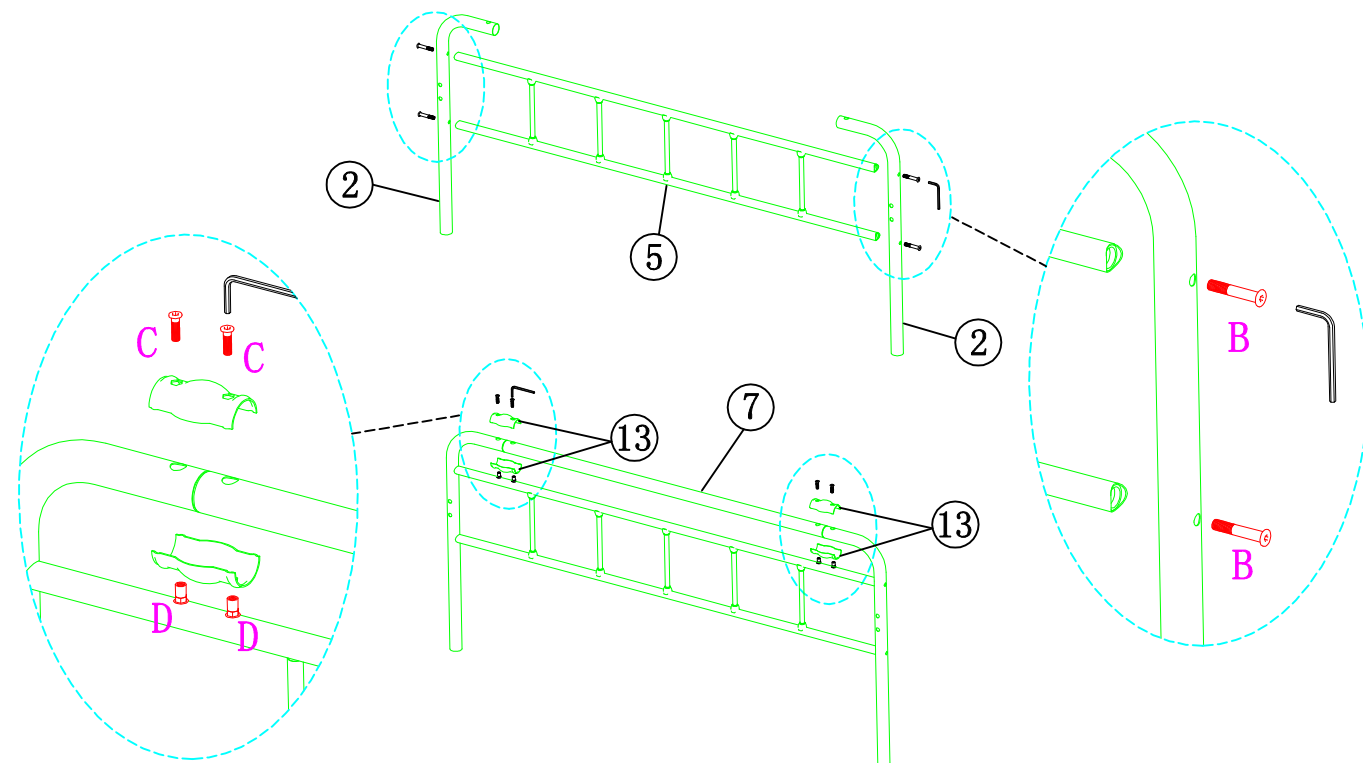
Step1

		
B*4 (M8*50)	C*4 (M6*28)	D*4 (M6)

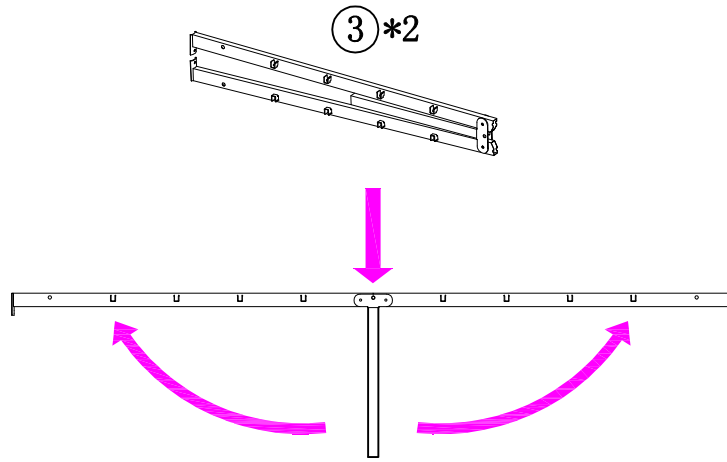
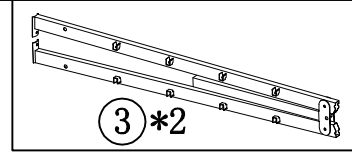


Step2

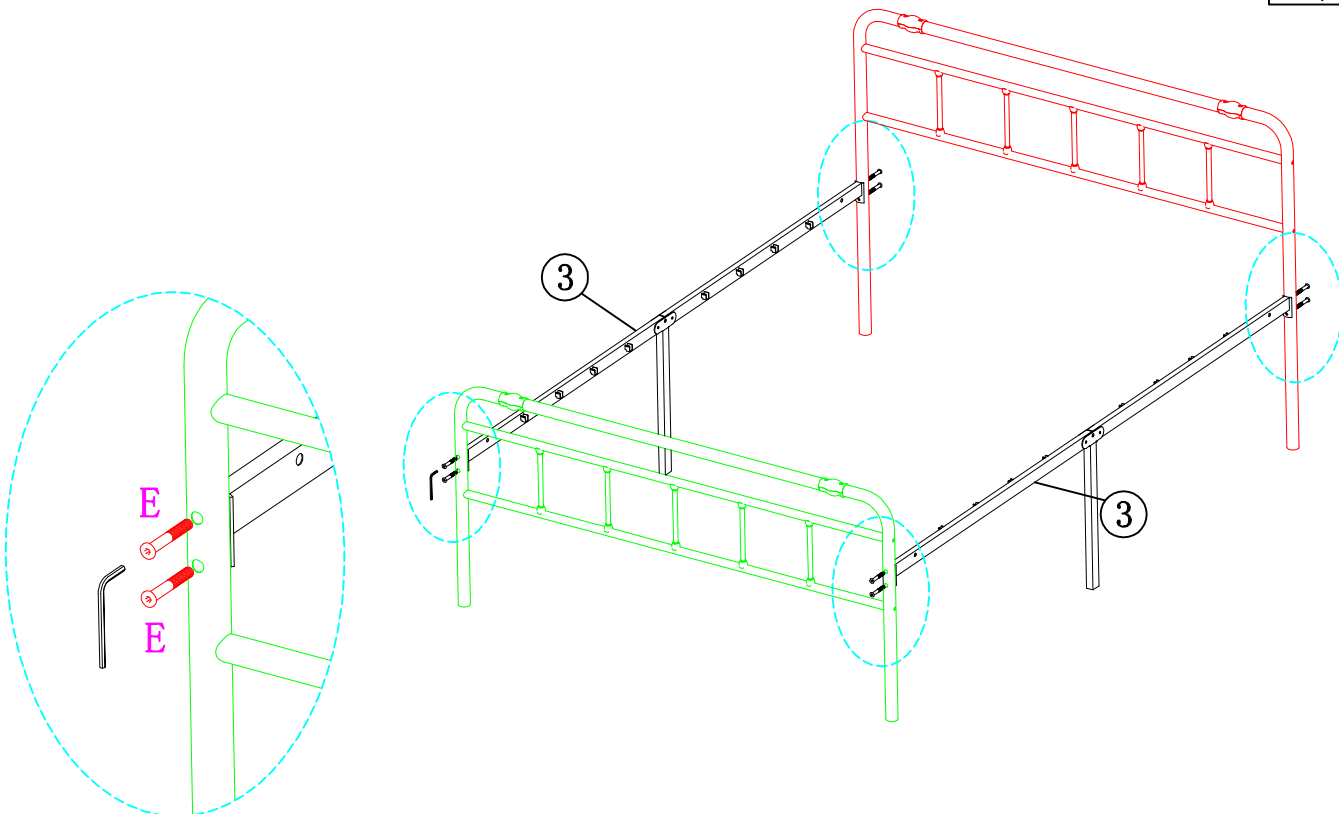
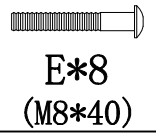
		
B*4 (M8*50)	C*4 (M6*28)	D*4 (M6)



Step3



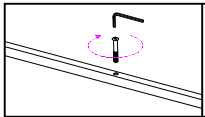
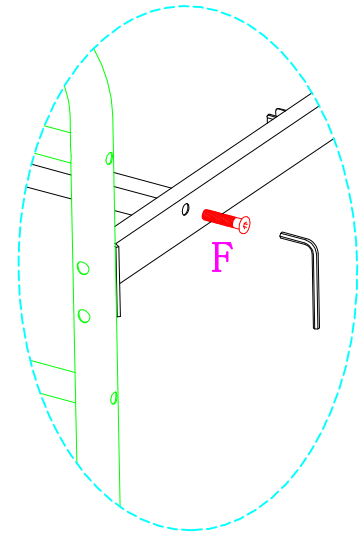
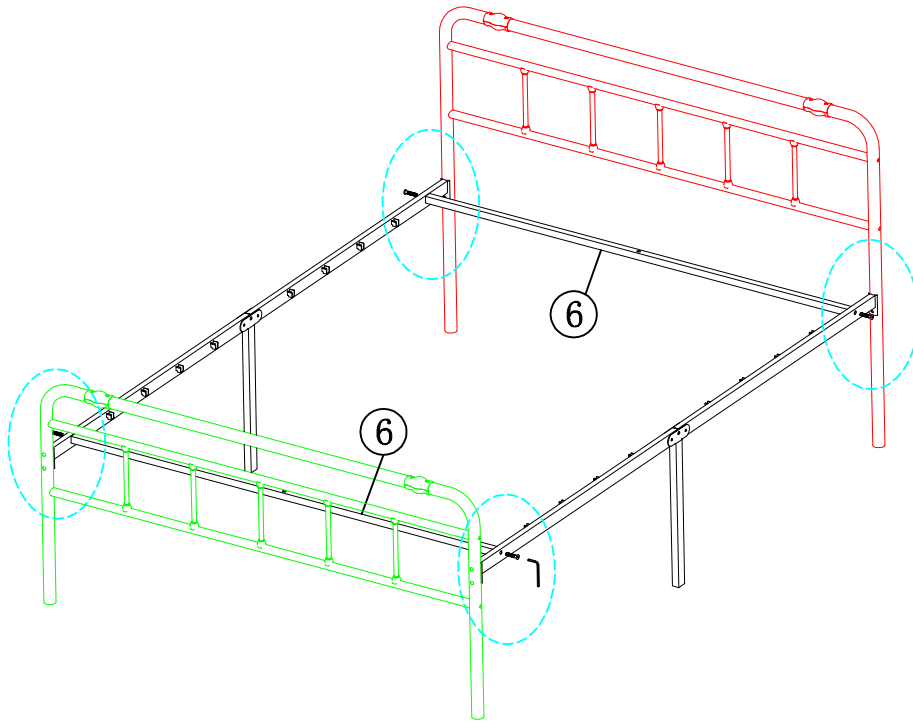
Step4



Step5

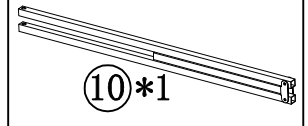


F*4
(M8*35)

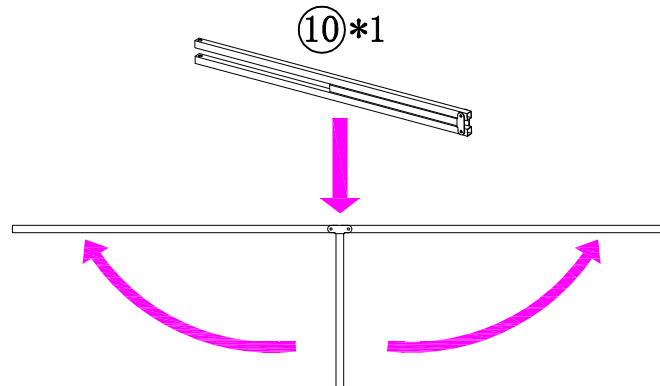


⚠ Do not fully tighten the screws yet.

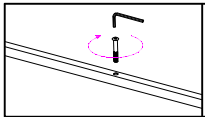
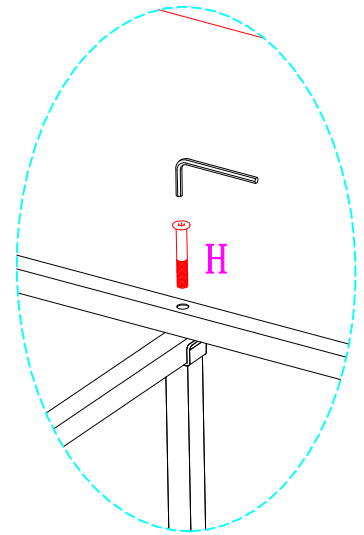
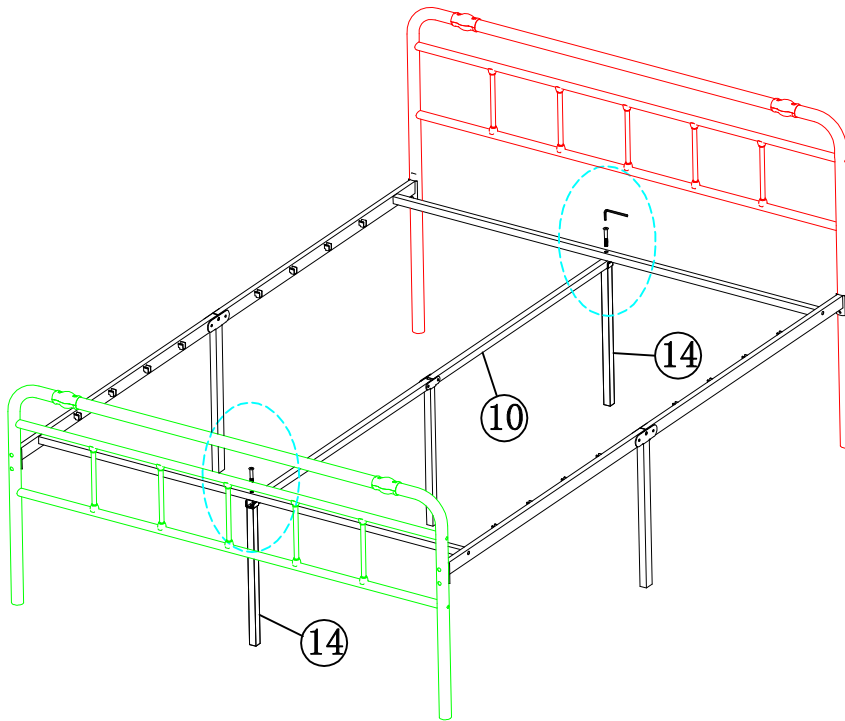
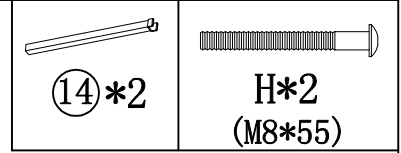
Step6



⑩*1

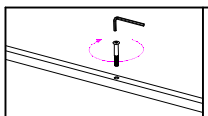
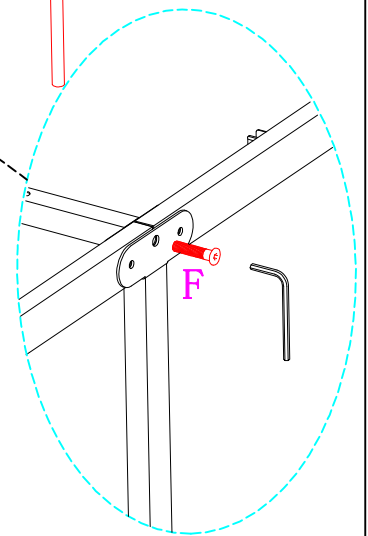
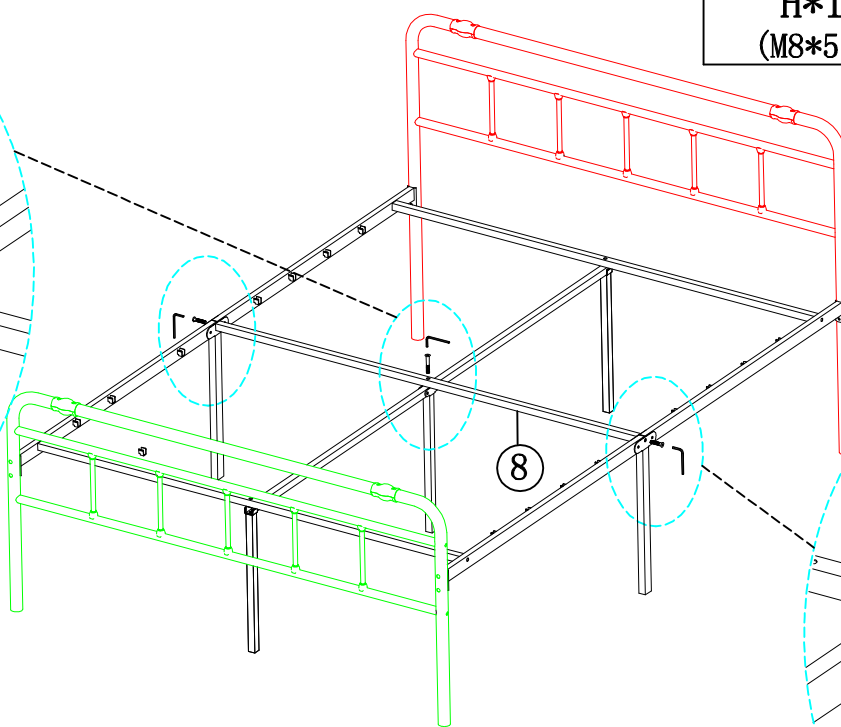
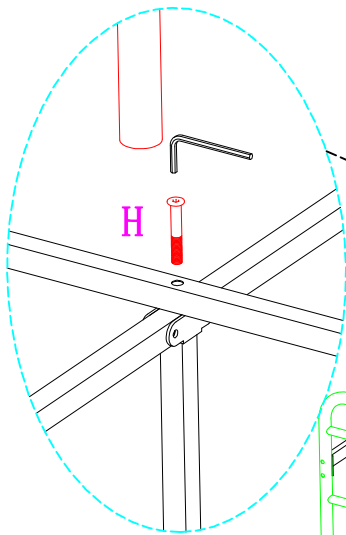
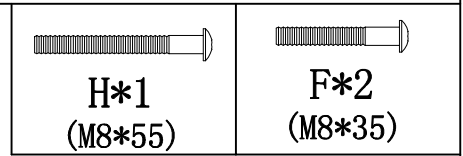


Step7



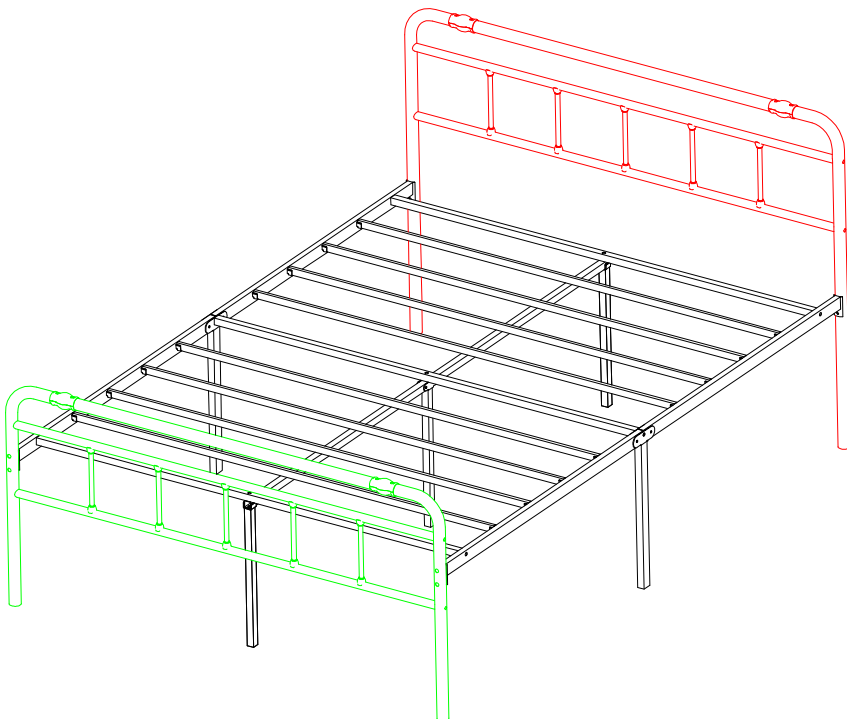
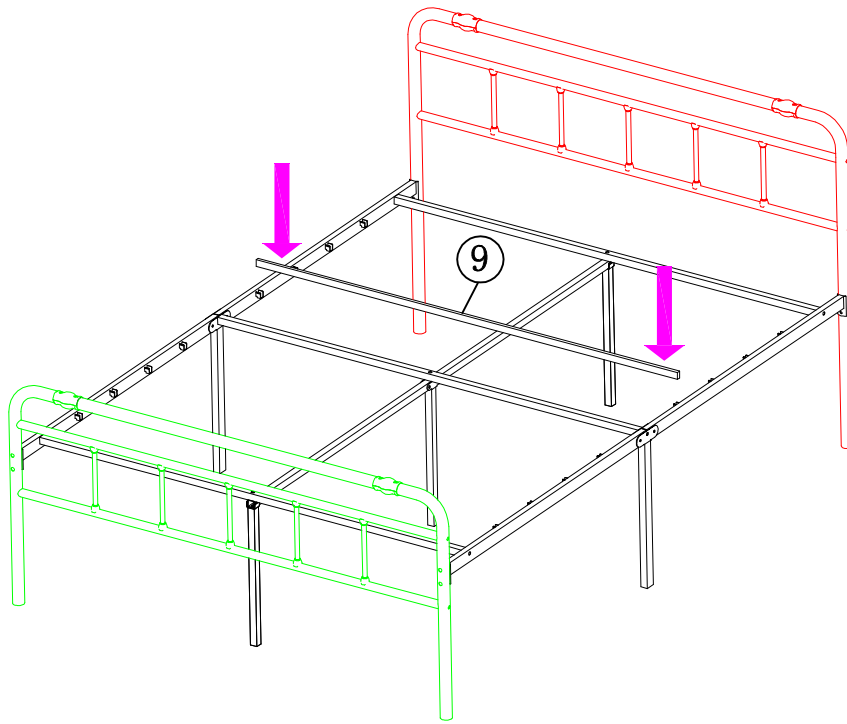
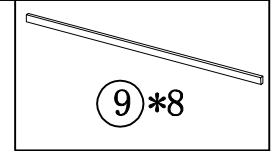
⚠ Do not fully tighten the screws yet.

Step8



⚠ Fully tighten all the screws

Step9

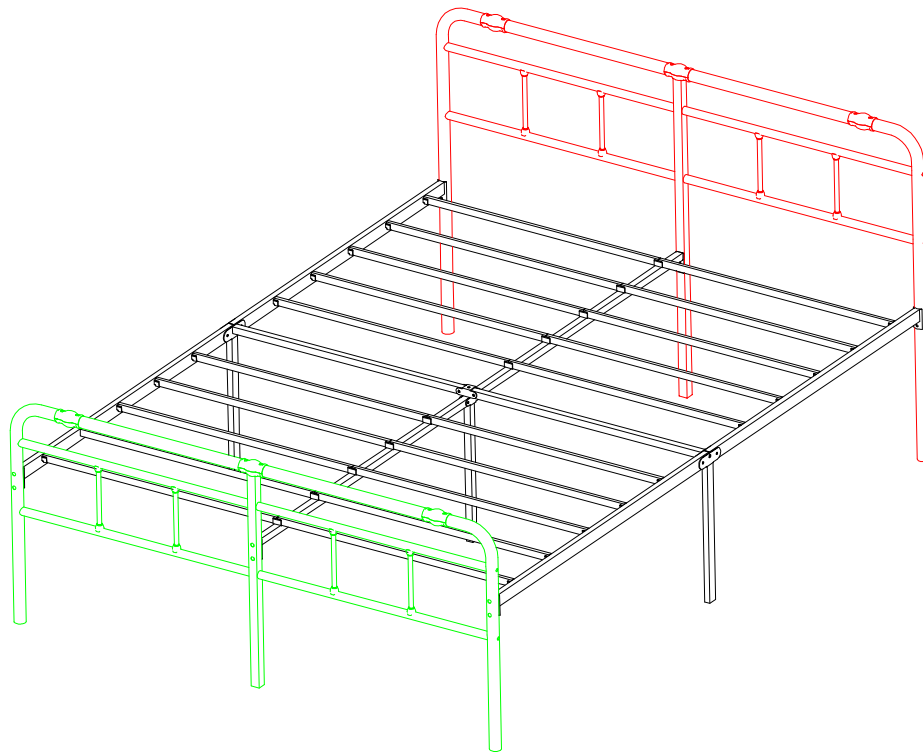


[Back to Top](#)

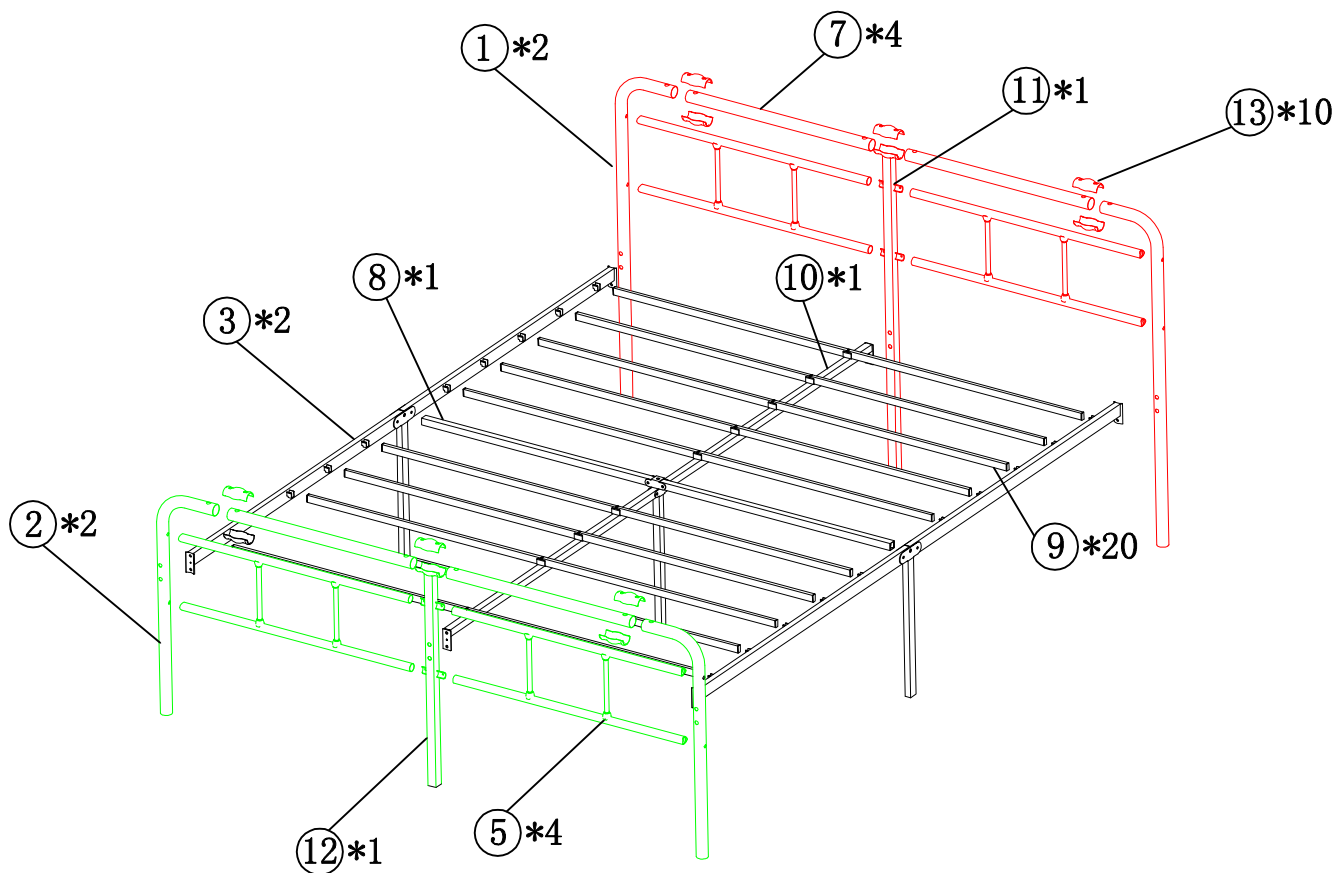
In the last step. please make sure all the screws are tightened.

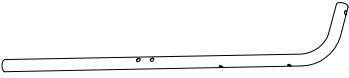




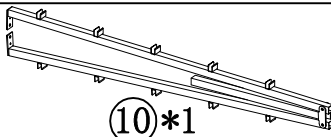


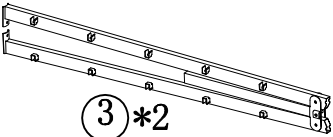


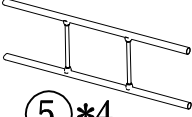
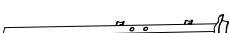

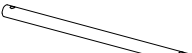


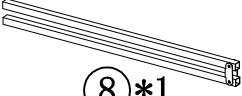

ASSEMBLY INSTRUCTION

If you have any questions about the product,
please don't hesitate to contact us.





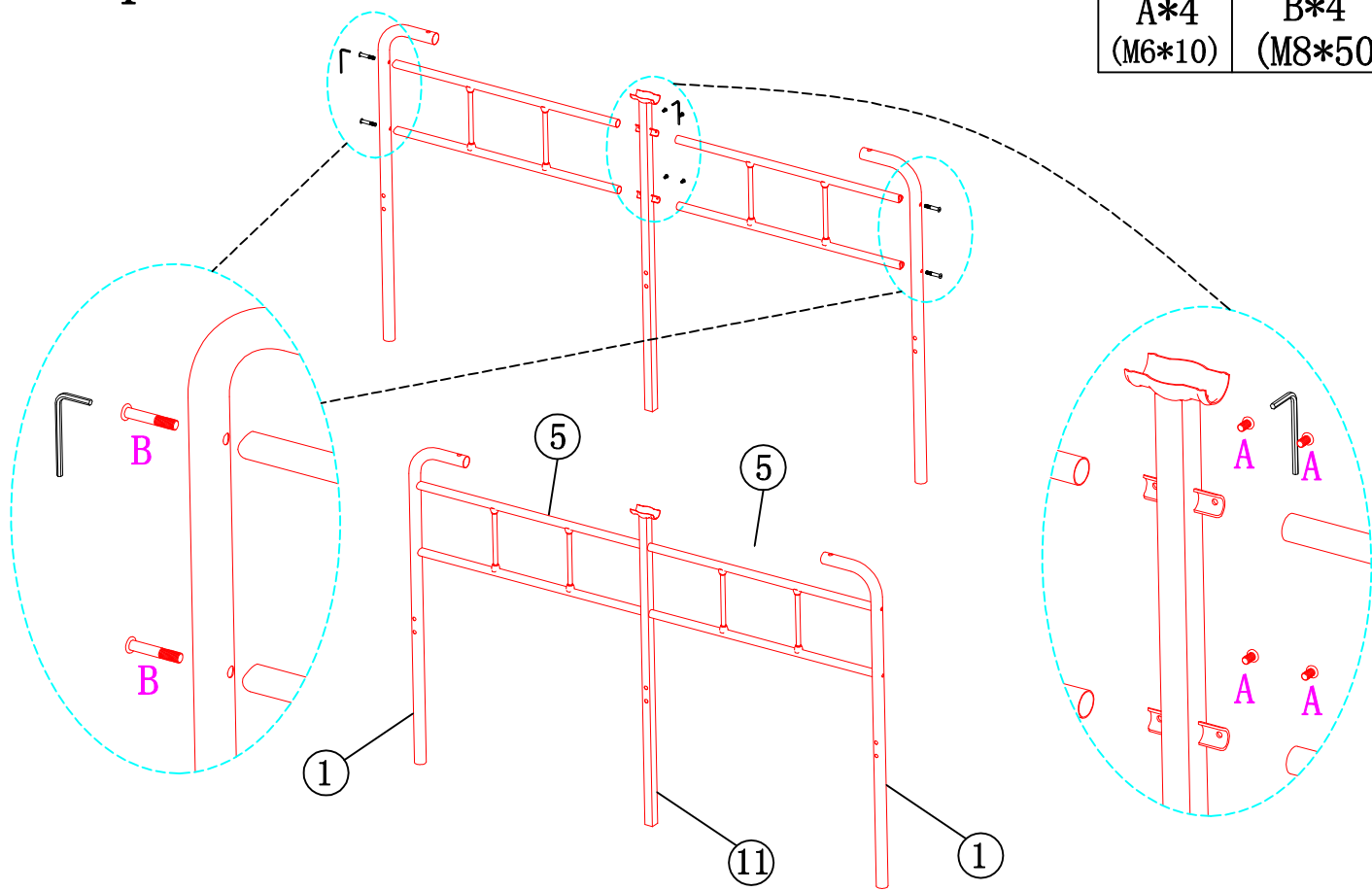
Size: Queen/King/Cal King





 <p>①*2</p>	 <p>⑨*20</p>	 <p>A*8 (M6*10)</p>	 <p>H*1 (M8*55)</p>
 <p>②*2</p>	 <p>⑩*1</p>	 <p>B*8 (M8*50)</p>	 <p>K*1</p>
 <p>③*2</p>	 <p>⑪*1</p>	 <p>C*12 (M6*28)</p>	
 <p>⑤*4</p>	 <p>⑫*1</p>	 <p>D*12 (M6)</p>	
 <p>⑦*4</p>	 <p>⑬*10</p>	 <p>E*8 (M8*40)</p>	
 <p>⑧*1</p>		 <p>F*6 (M8*35)</p>	

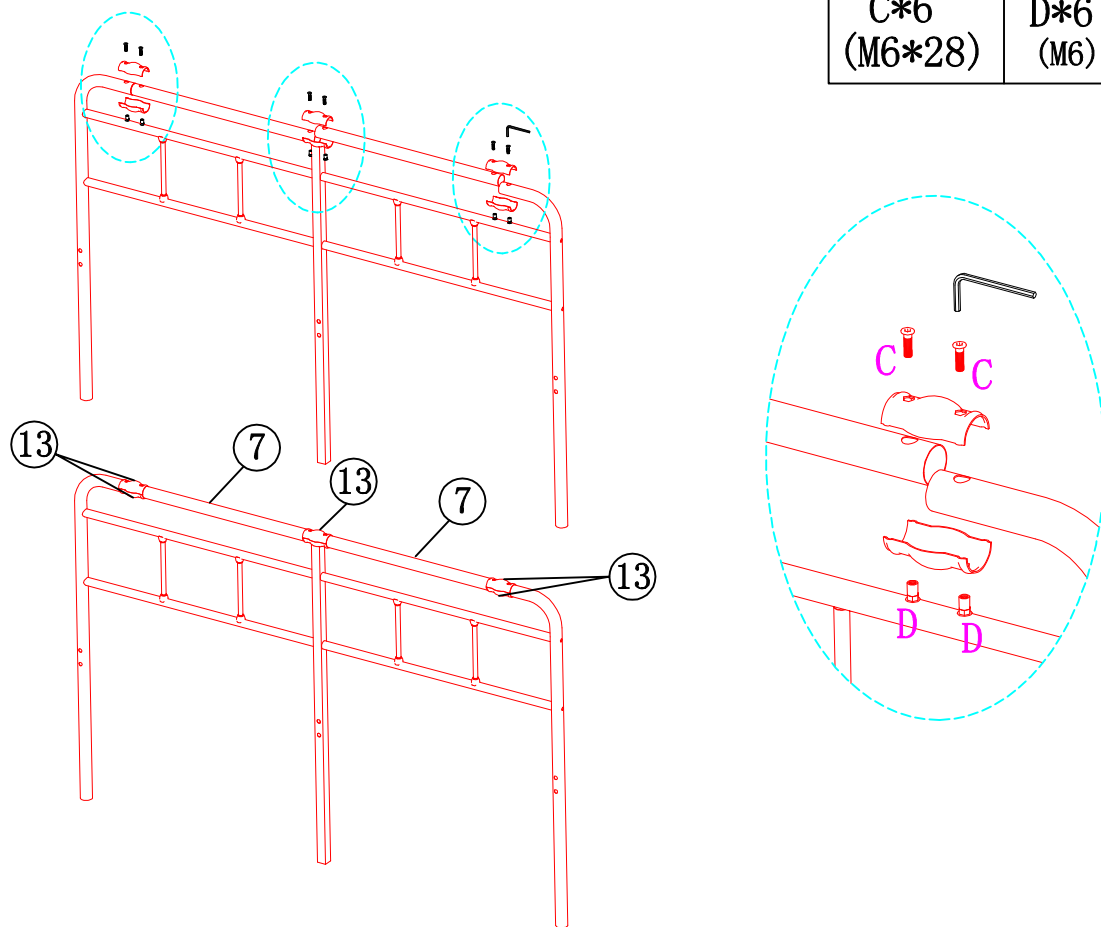
Step1

	
A*4 (M6*10)	B*4 (M8*50)





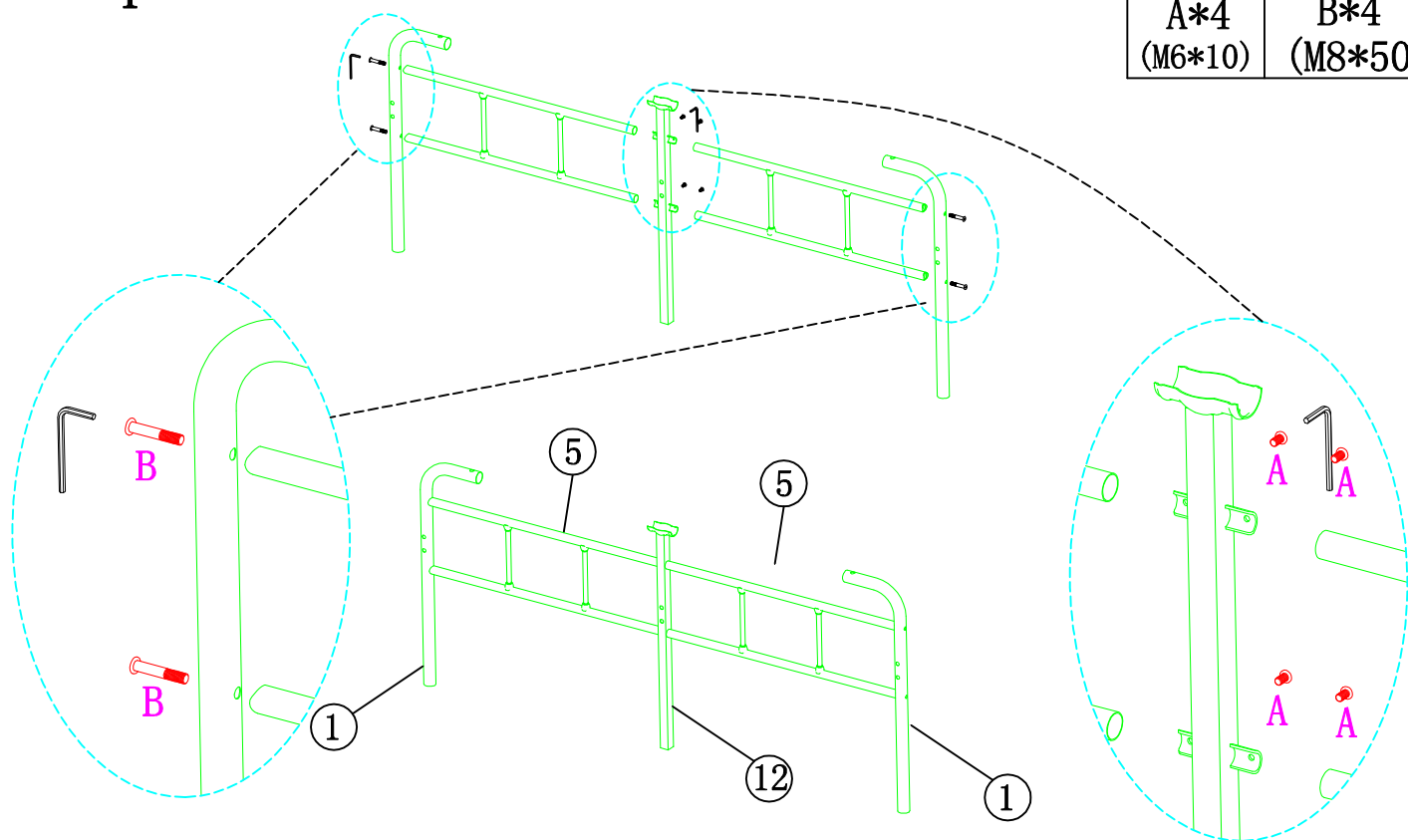
Step2

	
C*6 (M6*28)	D*6 (M6)





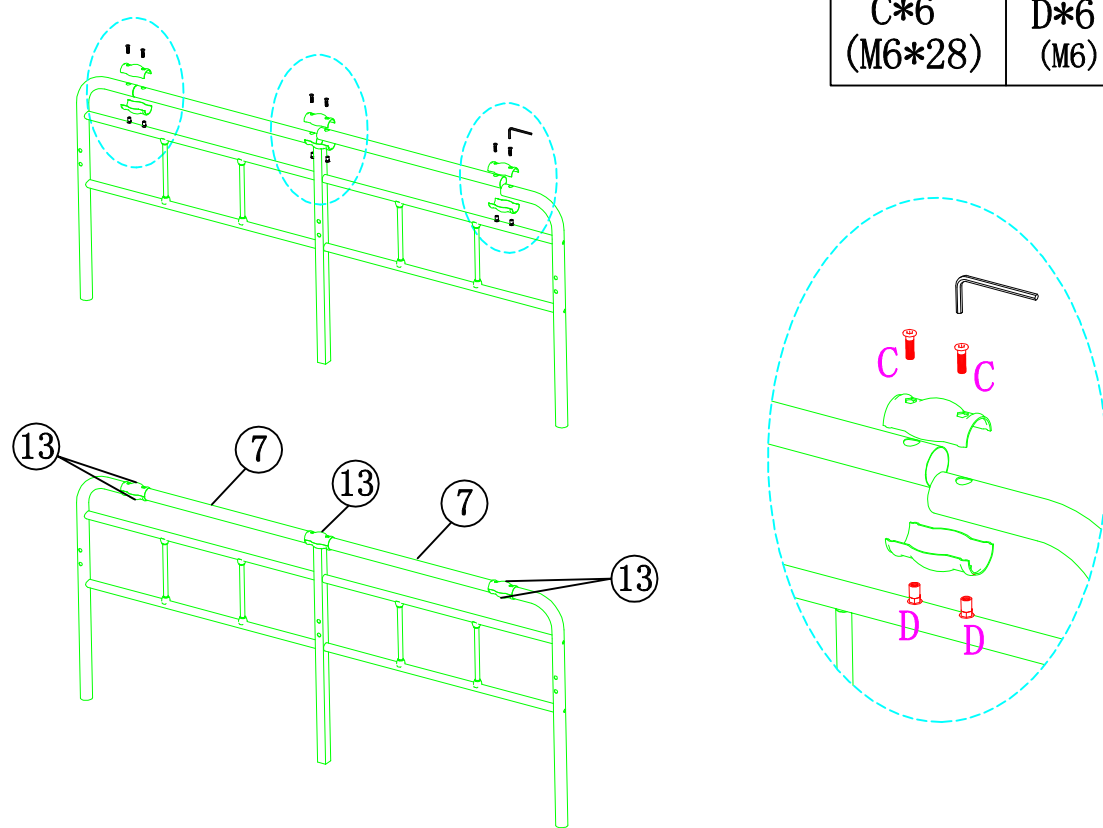
Step3

	
A*4 (M6*10)	B*4 (M8*50)

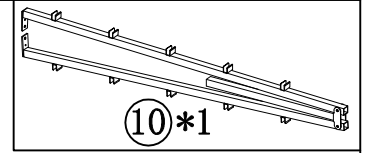


Step4

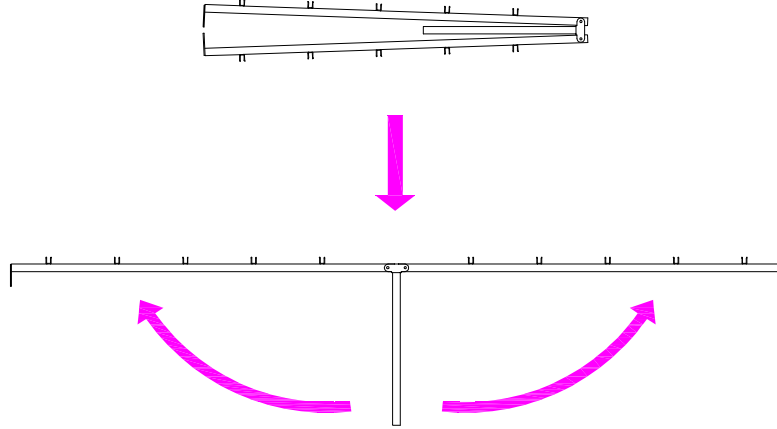
	
C*6 (M6*28)	D*6 (M6)



Step5



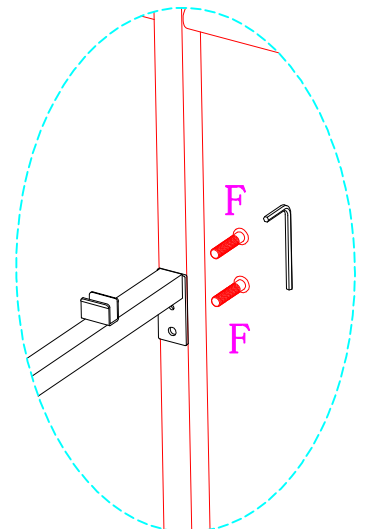
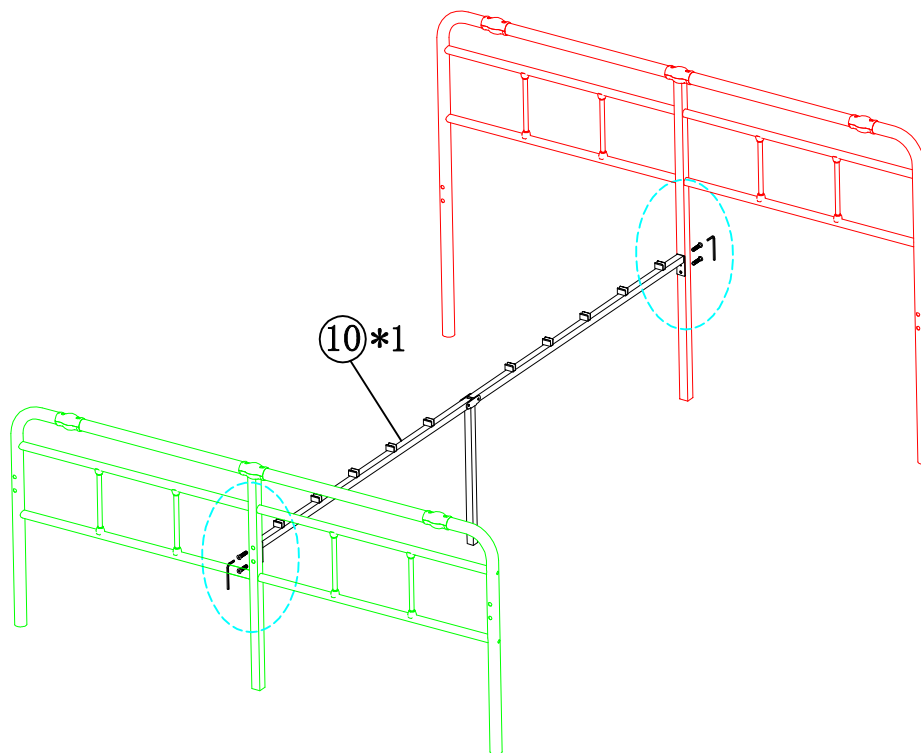
⑩*1



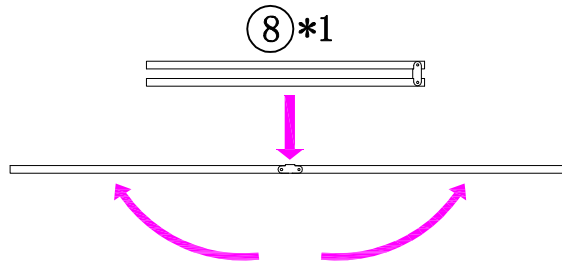
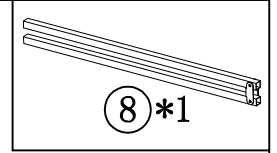
Step6



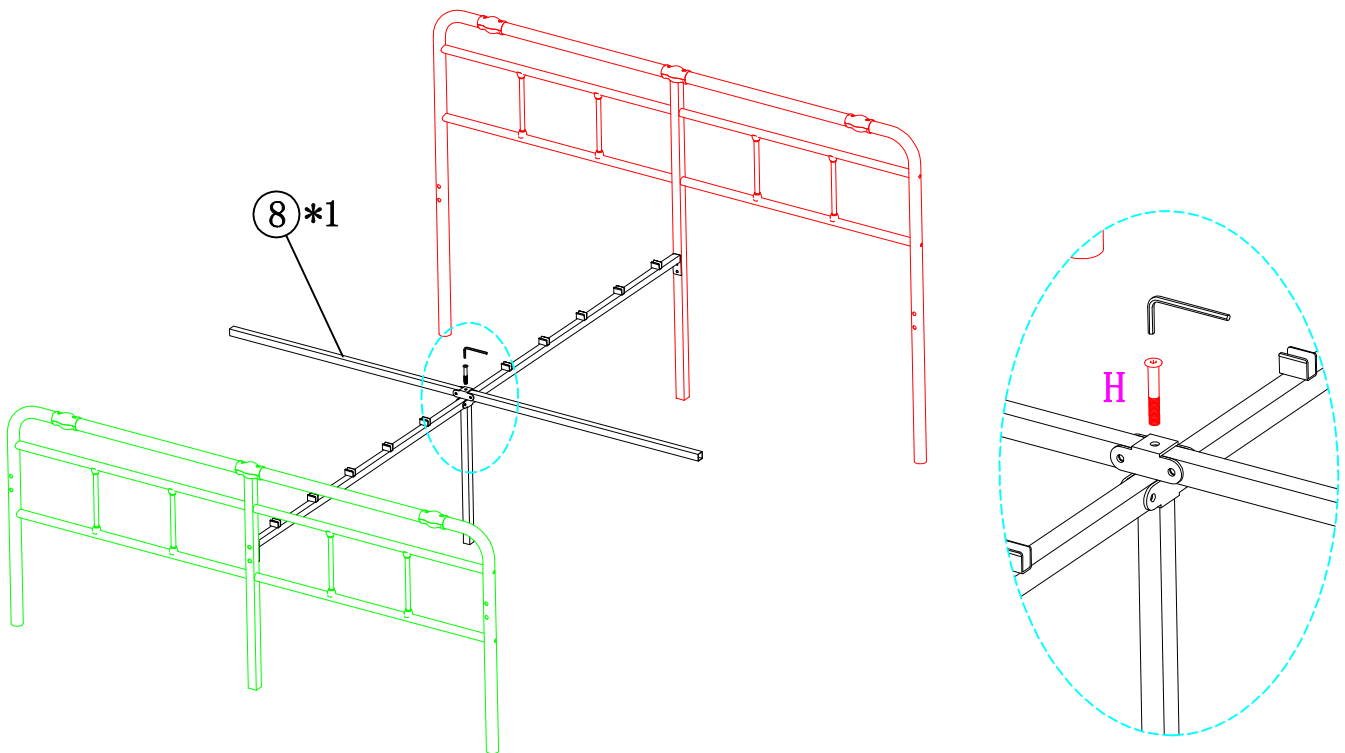
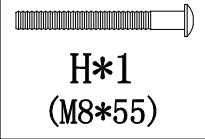
F*4
(M8*35)



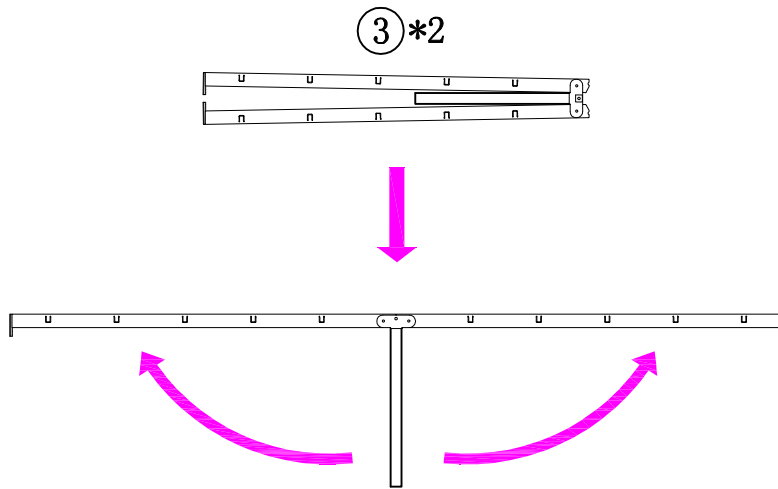
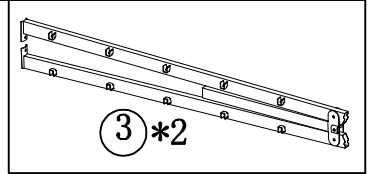
Step7



Step8



Step9



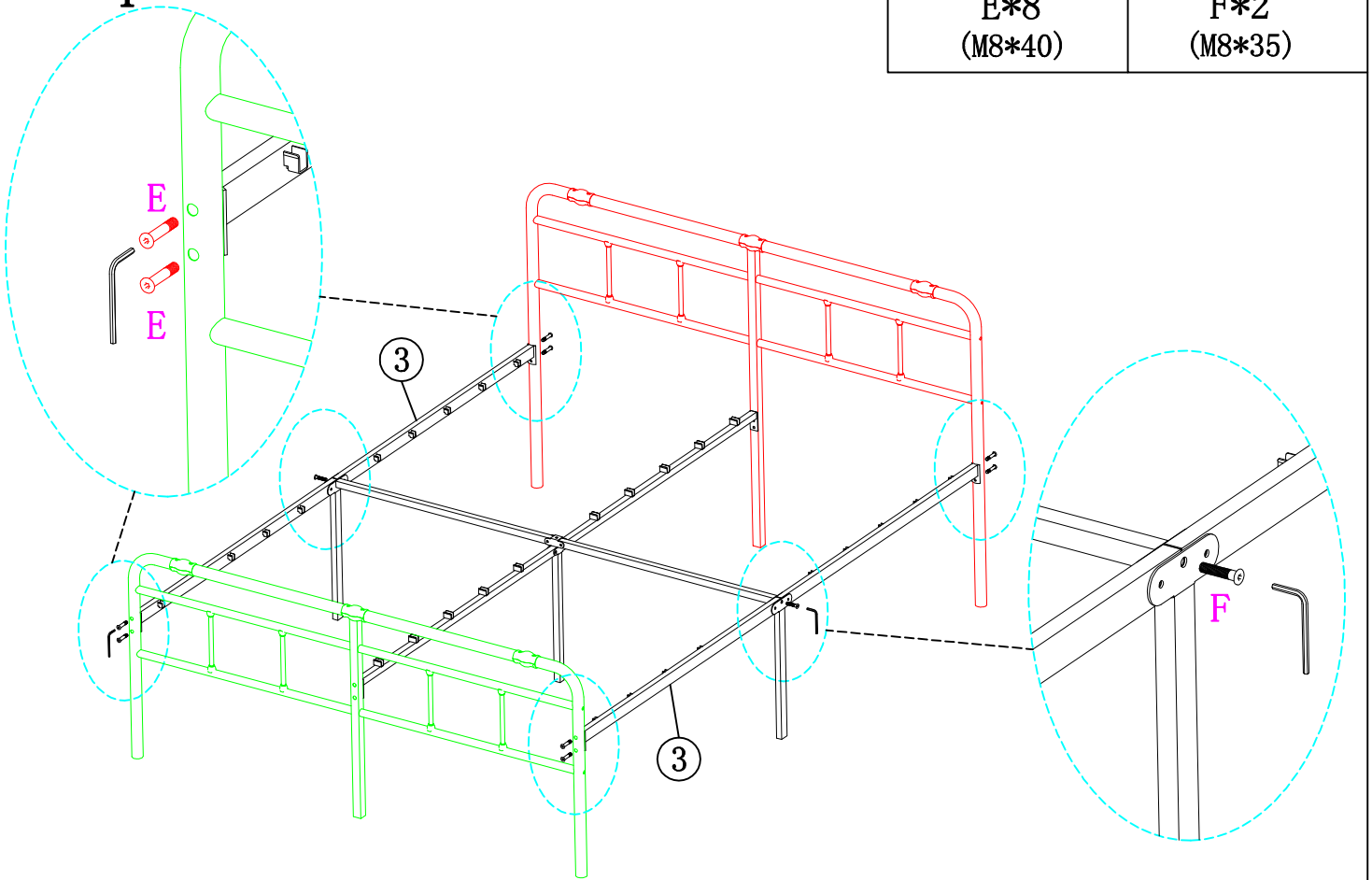
Step10



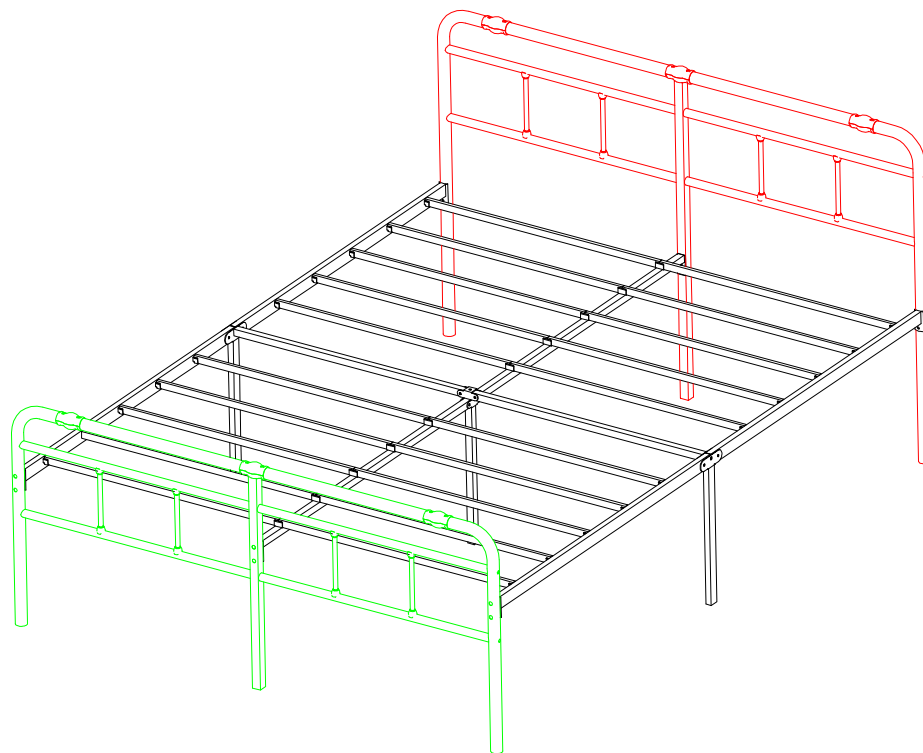
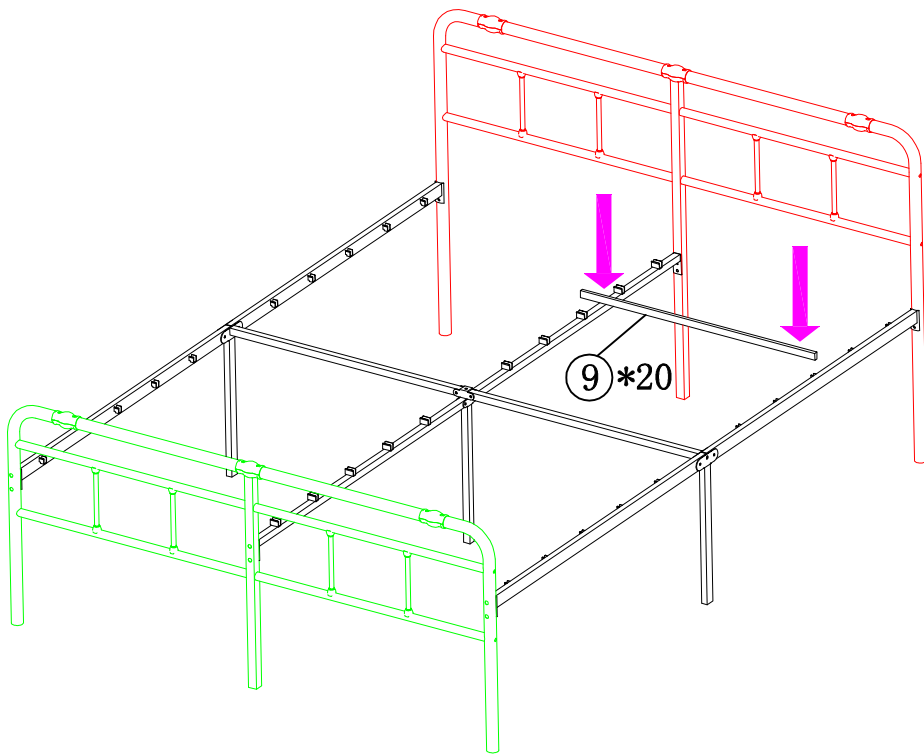
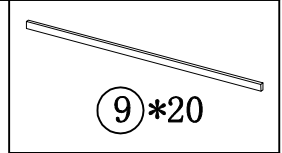
E*8
(M8*40)



F*2
(M8*35)



Step11



[Back to Top](#)

In the last step. please make sure all the screws are tightened.