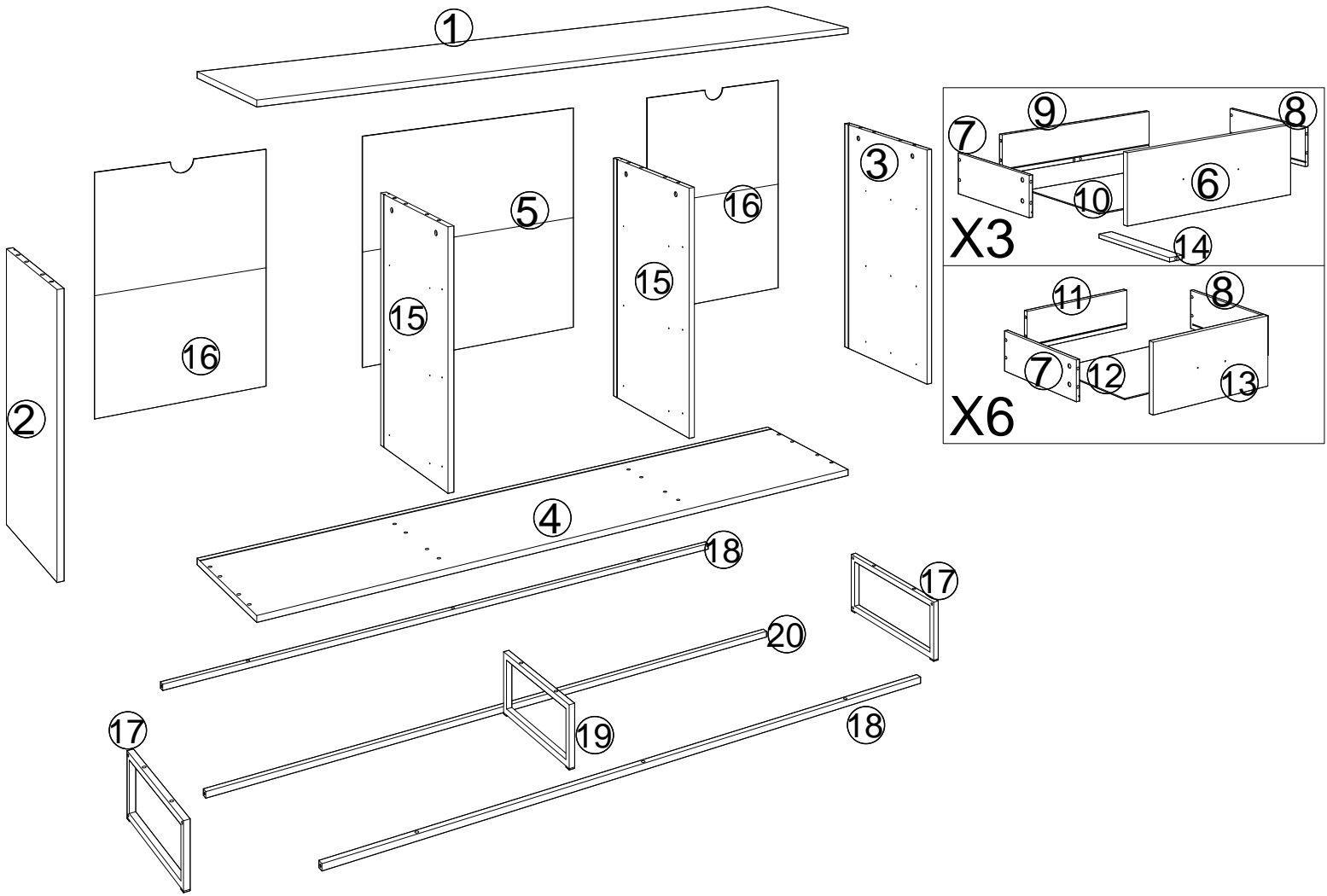
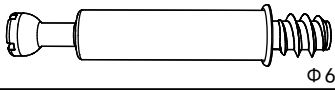
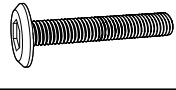
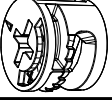
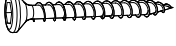


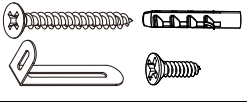
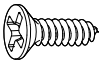
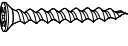
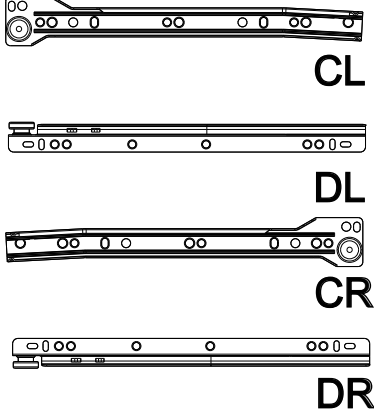
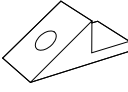

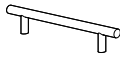
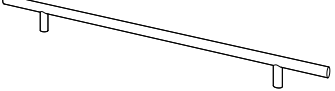
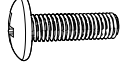





INSTALLATION INSTRUCTIONS

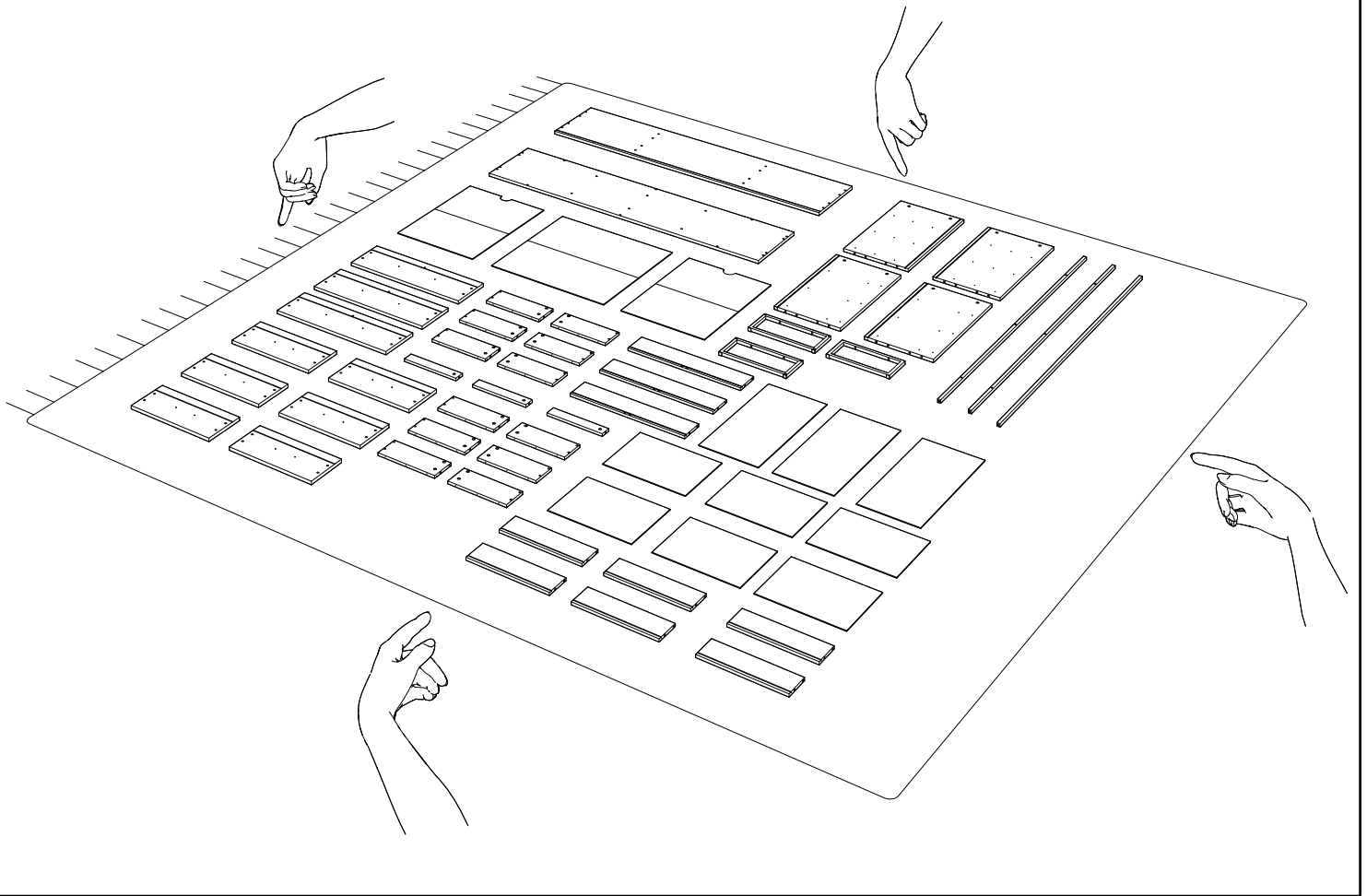


HARDWARE LIST

NO.	DESCRIPTION	QTY	NO.	DESCRIPTION	QTY
A	 $\Phi 6*35$	47	L	 $\Phi 6*30$	7
B	 $\Phi 12*10$	47	M	 $\Phi 5*30$	12
C	 $\Phi 6*30$	16	N		12
D		2	O	 $\Phi 3.5*12$	108
E	 $\Phi 4*35$	50	P	 CL DL CR DR	9
F		12			
G	 $\Phi 3*16$	12			
H		6			
I		3			
J	 $\Phi 4*16$	18			
K		1			

Layout Parts on Soft Surface

Lay out all parts on a soft surface i.e. Rug, Carpet or Packaging Carton

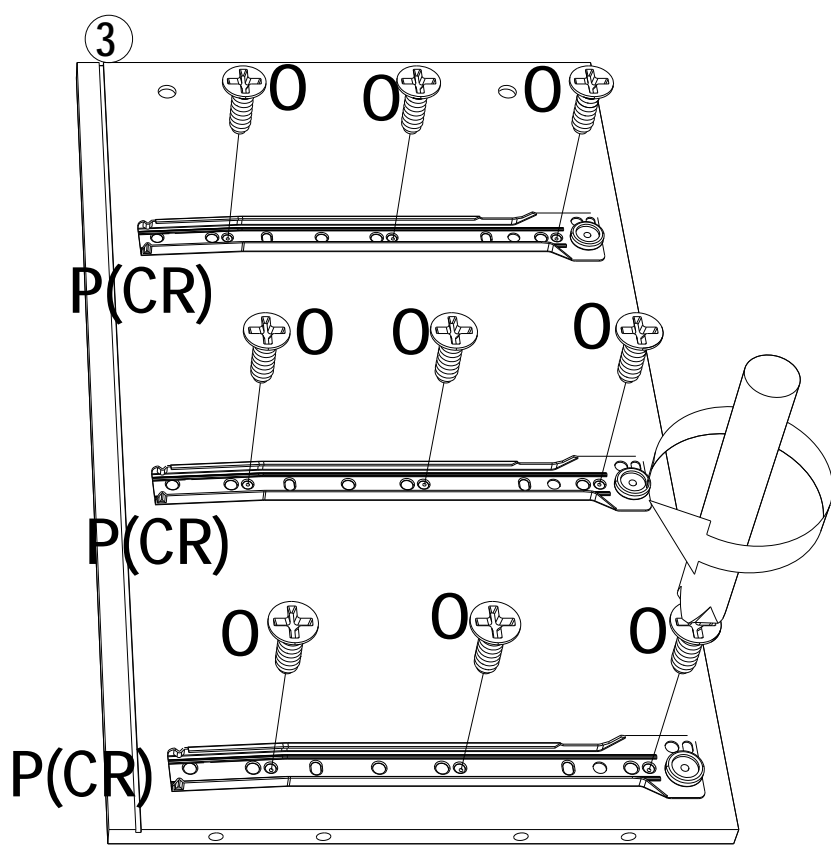
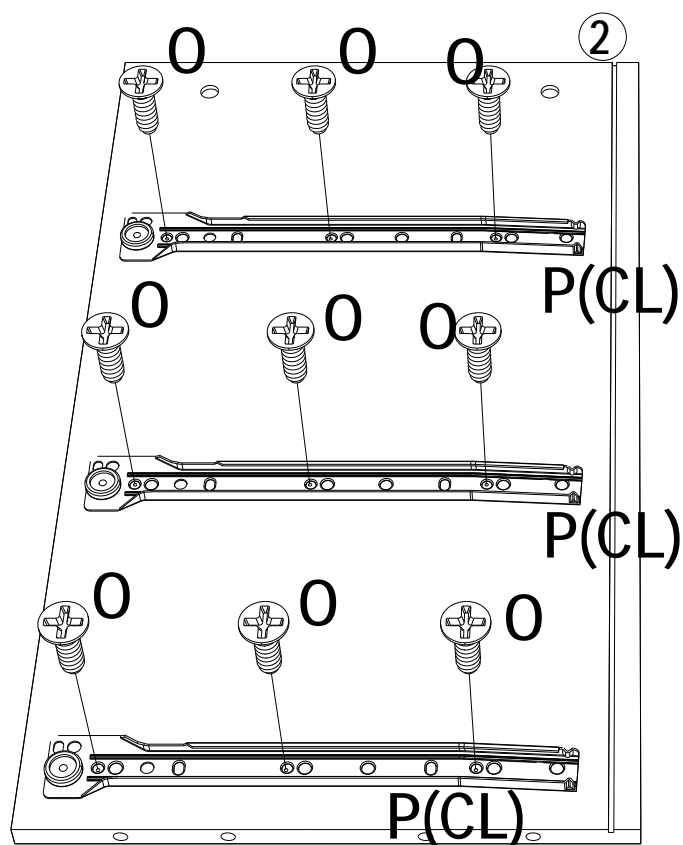


INSTALLATIONS

STEP 1



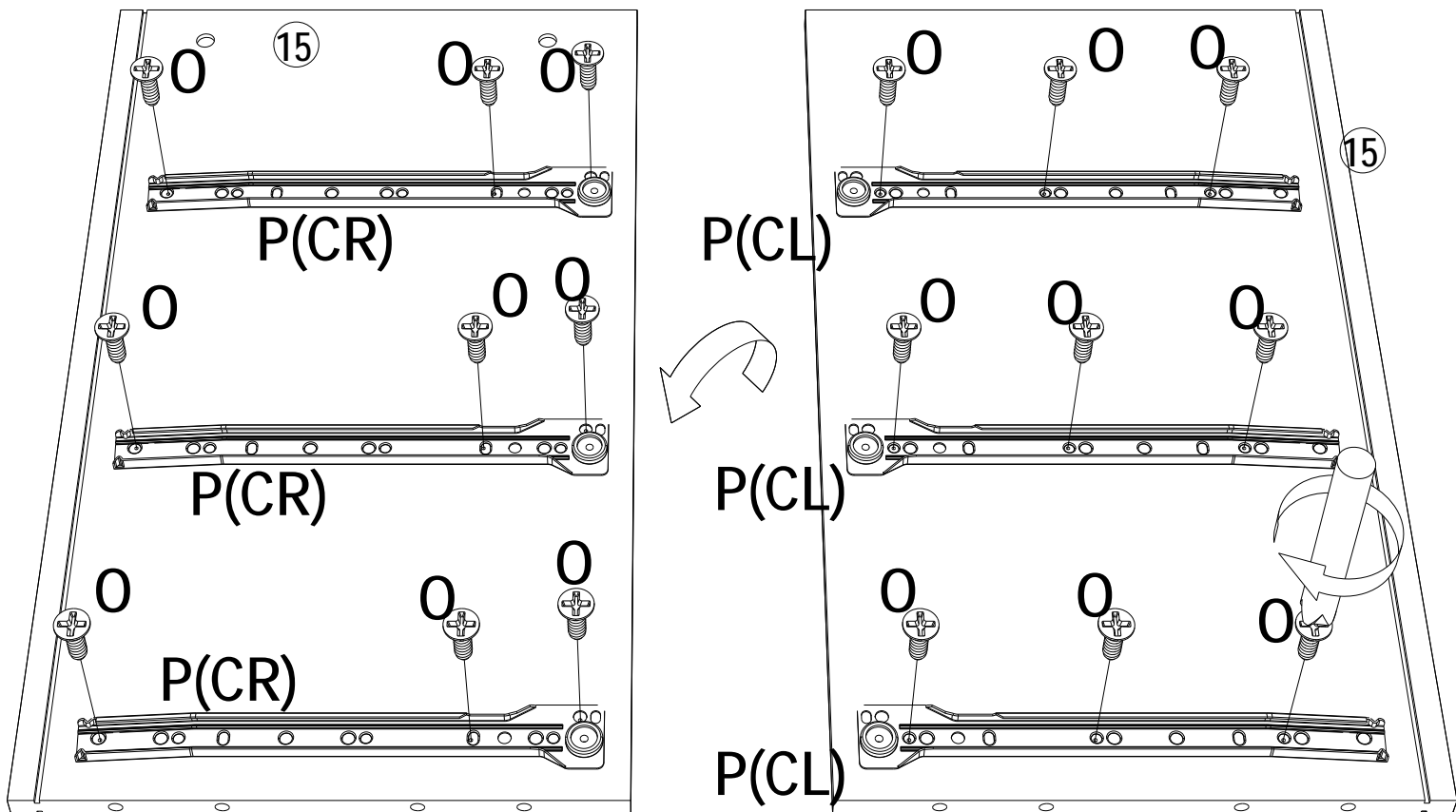
STEP 2



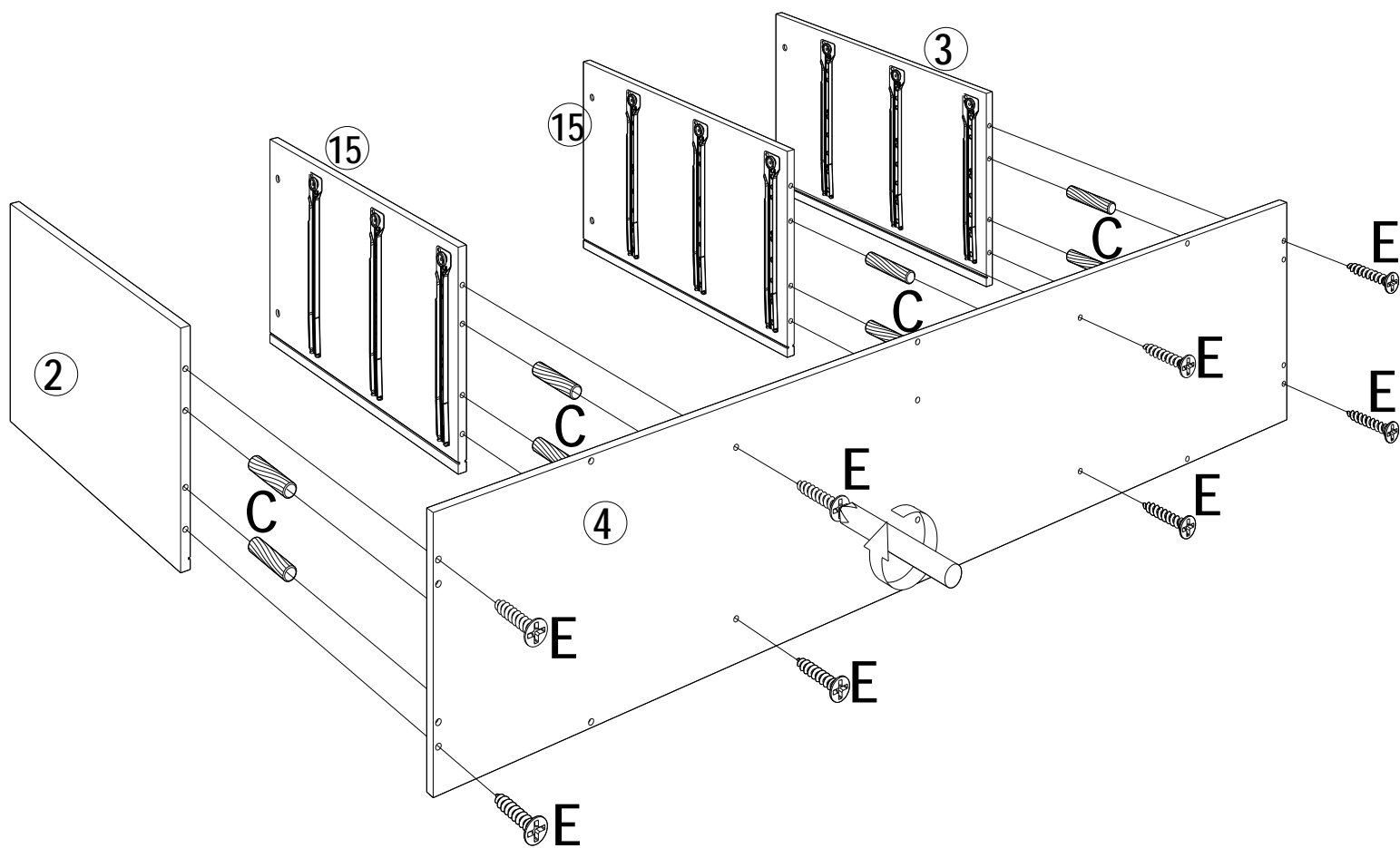
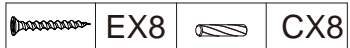
STEP 3



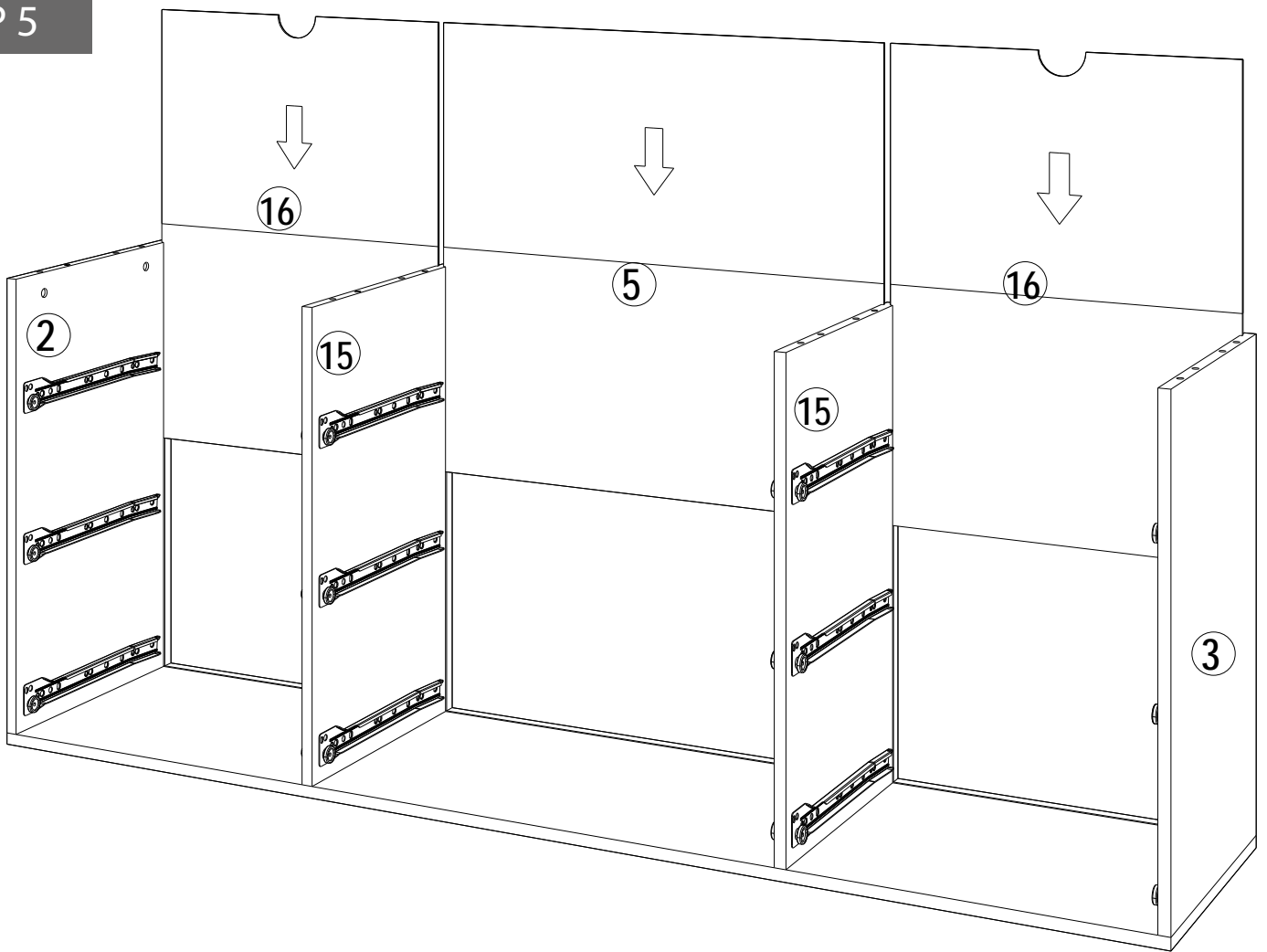
X2



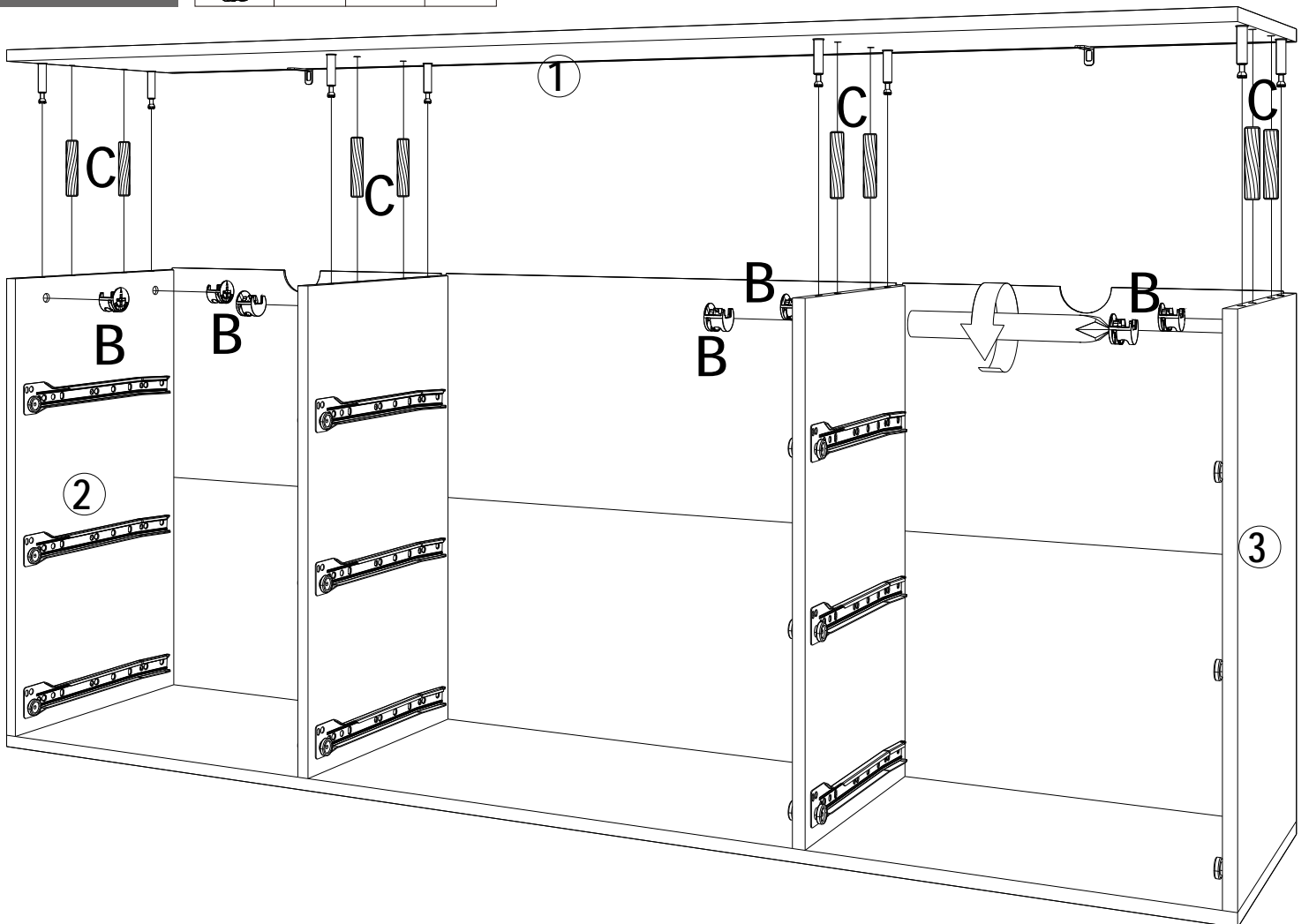
STEP 4



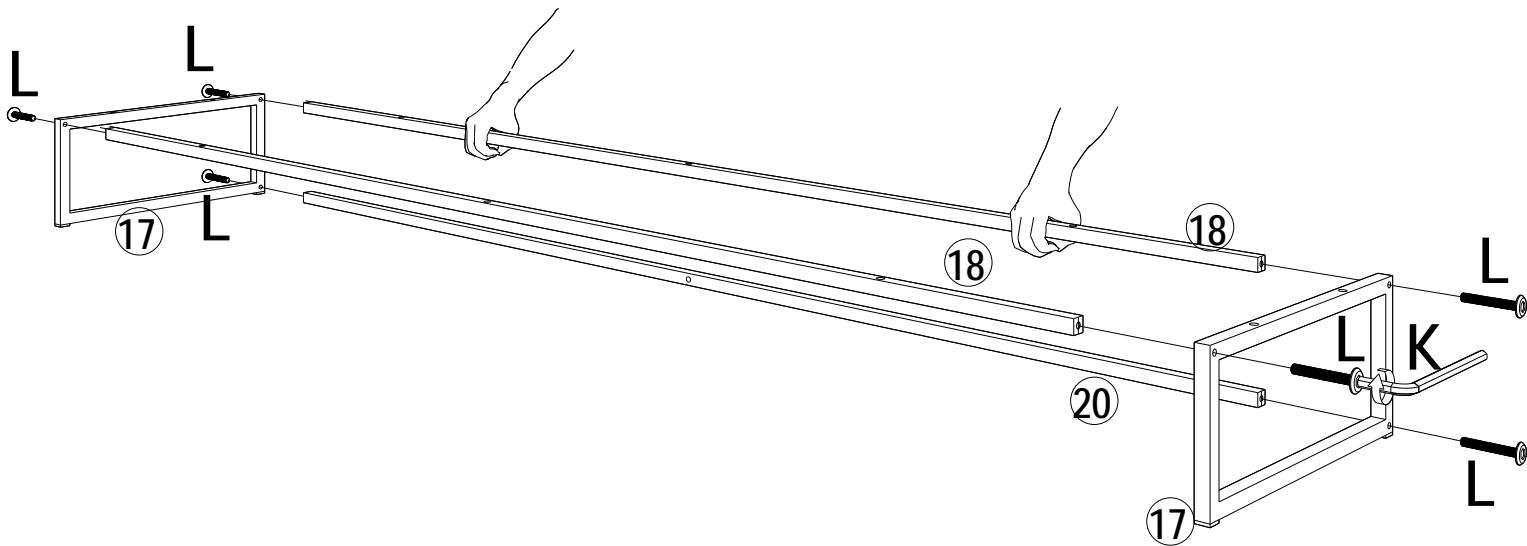
STEP 5



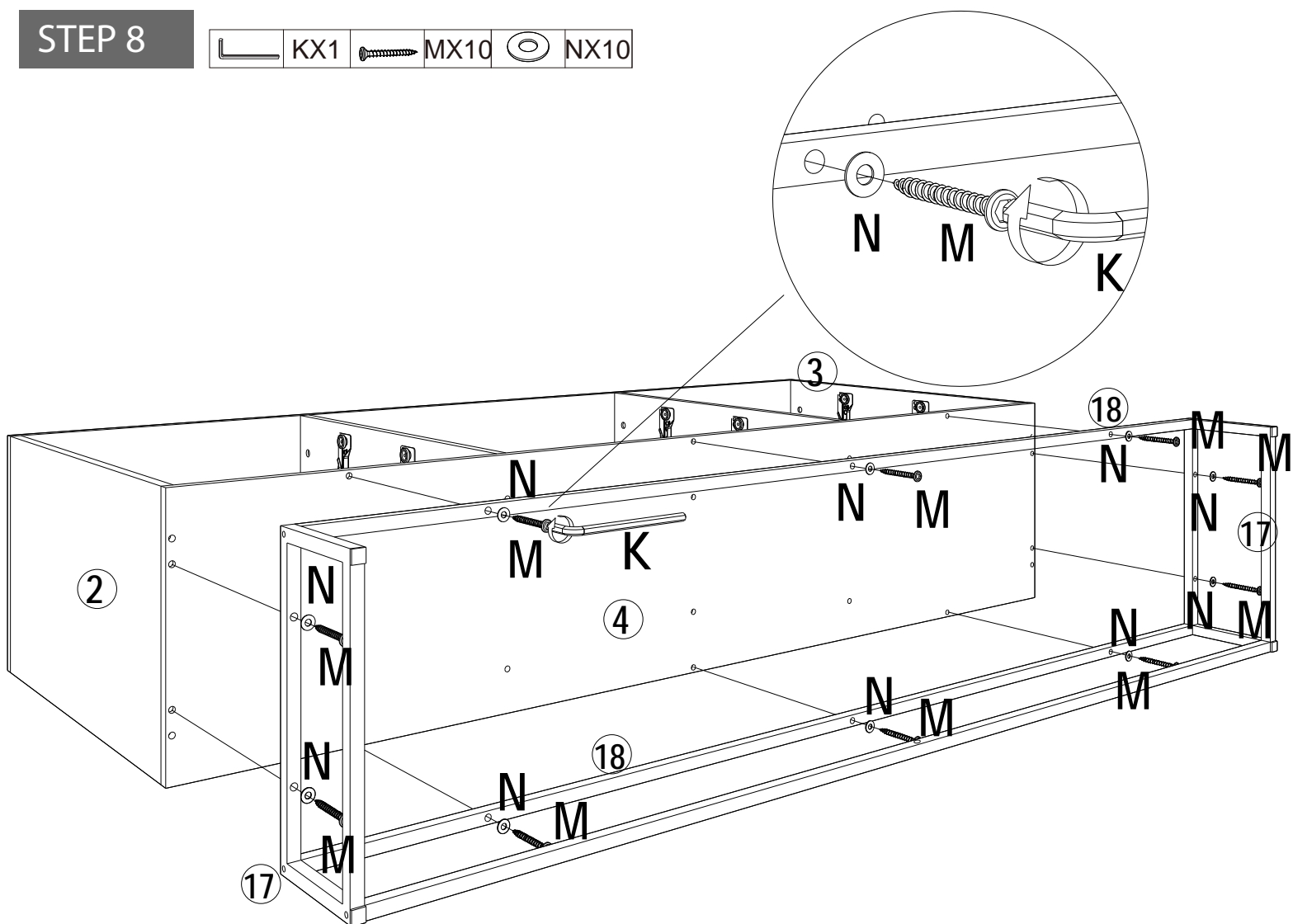
STEP 6



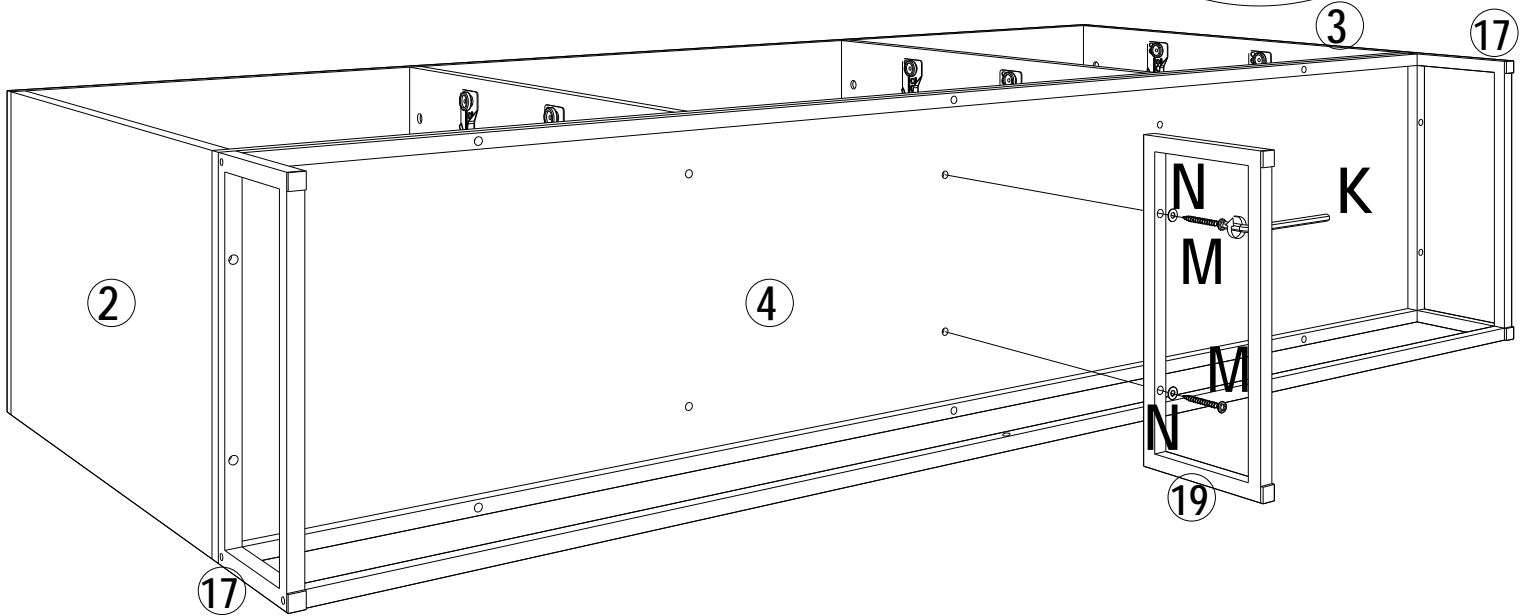
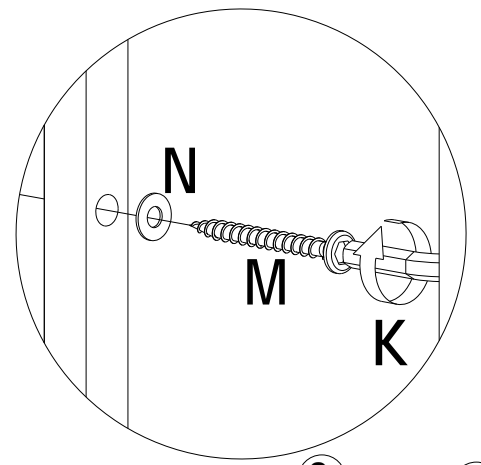
STEP 7



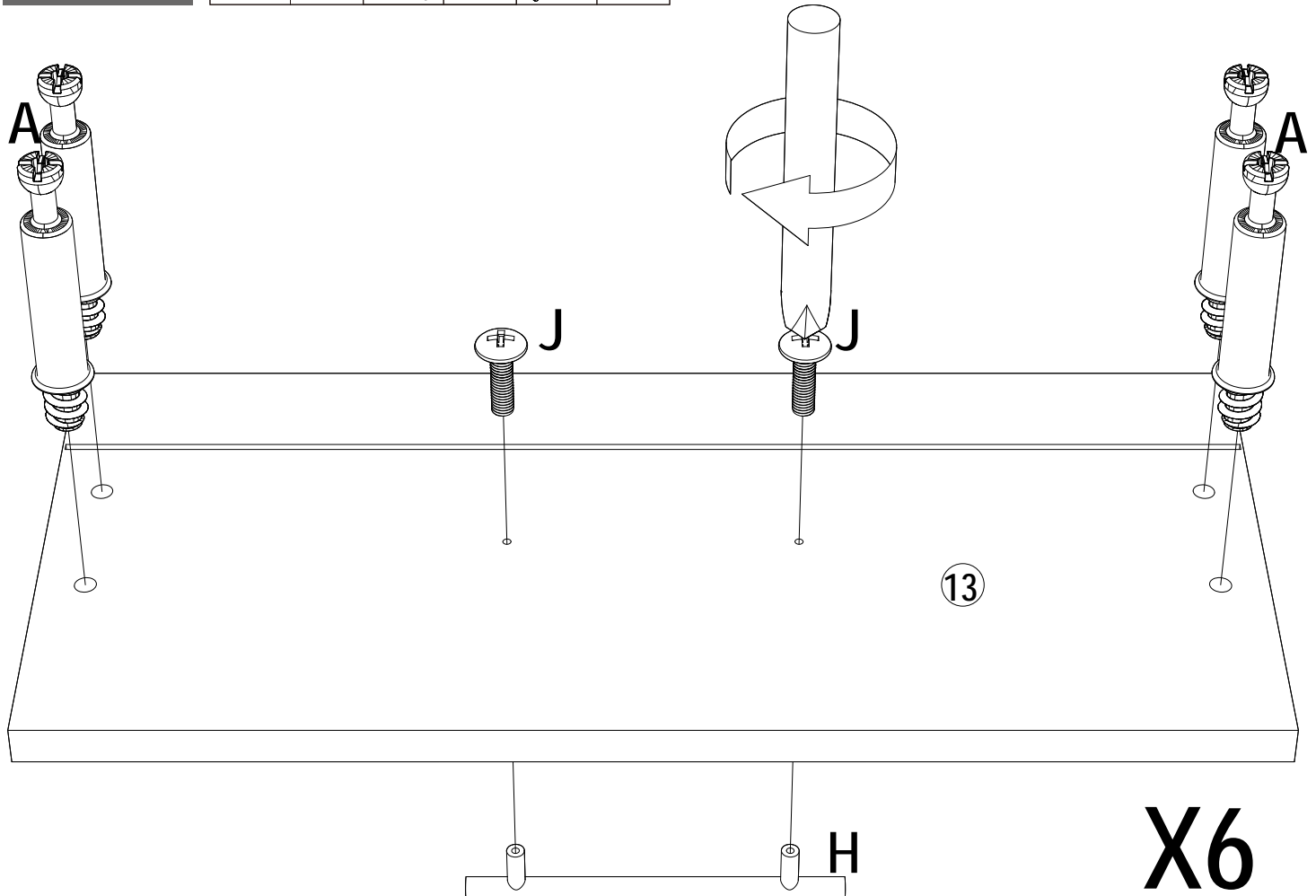
STEP 8



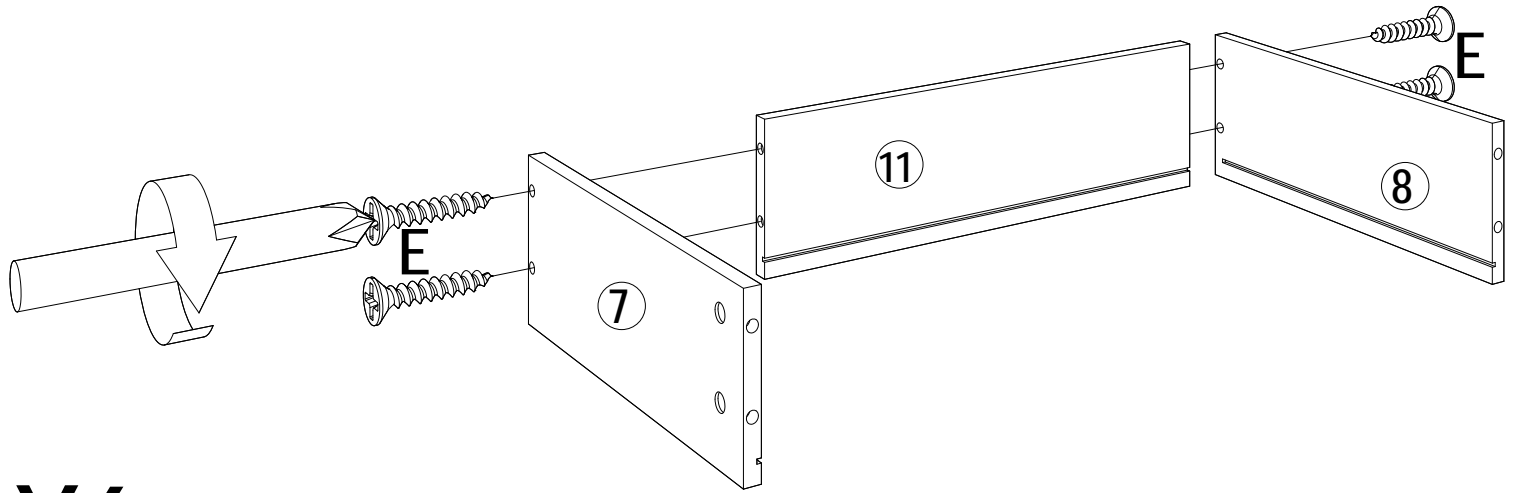
STEP 9



STEP 10

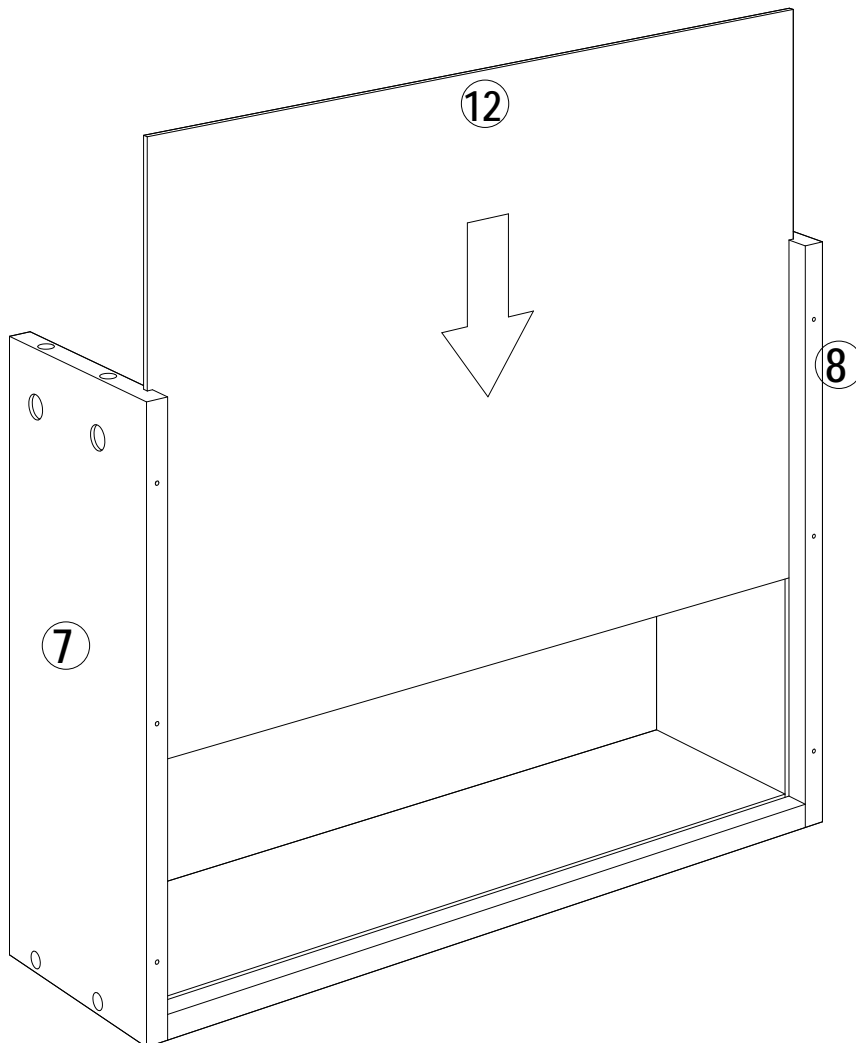


STEP 11



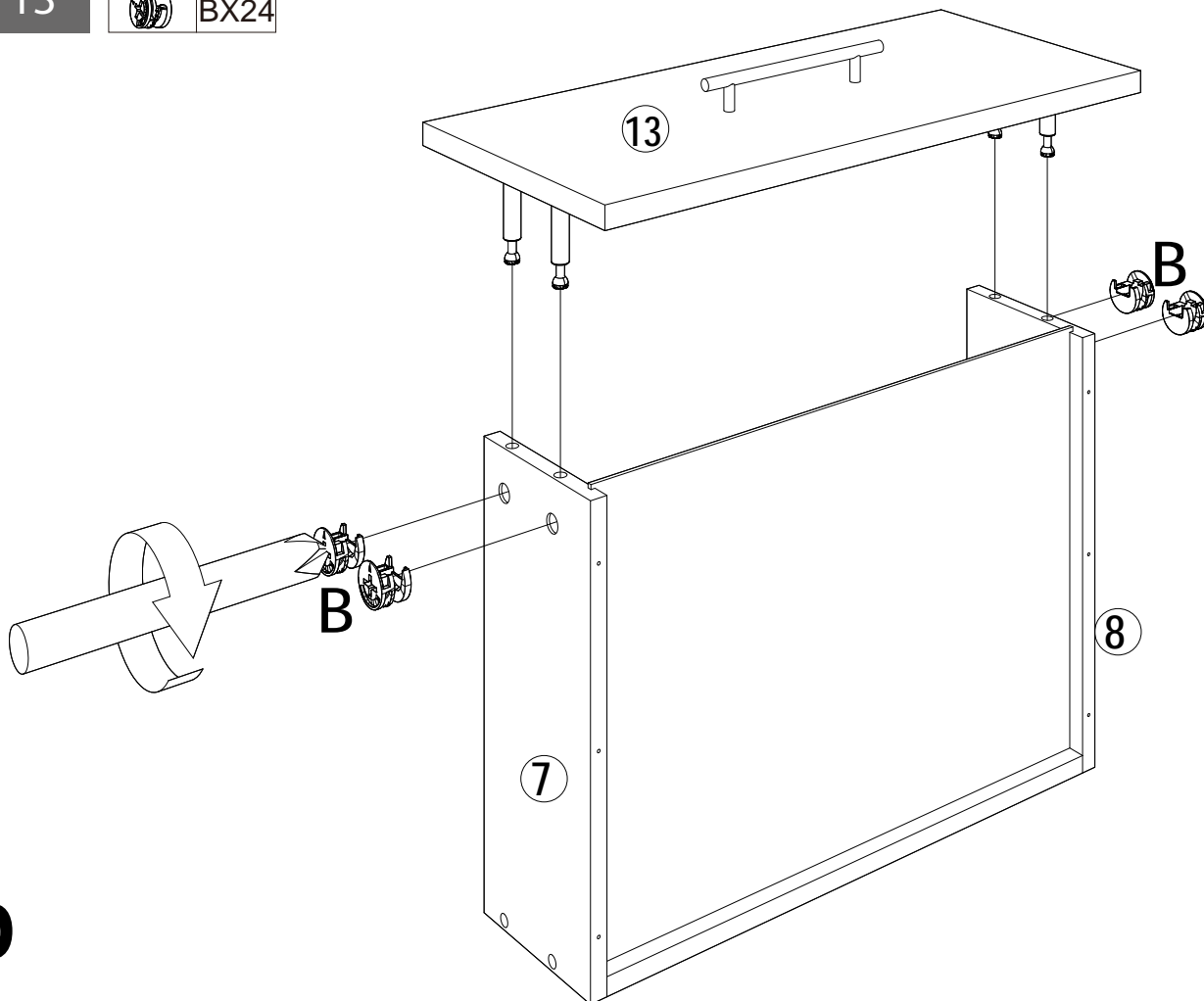
X6

STEP 12



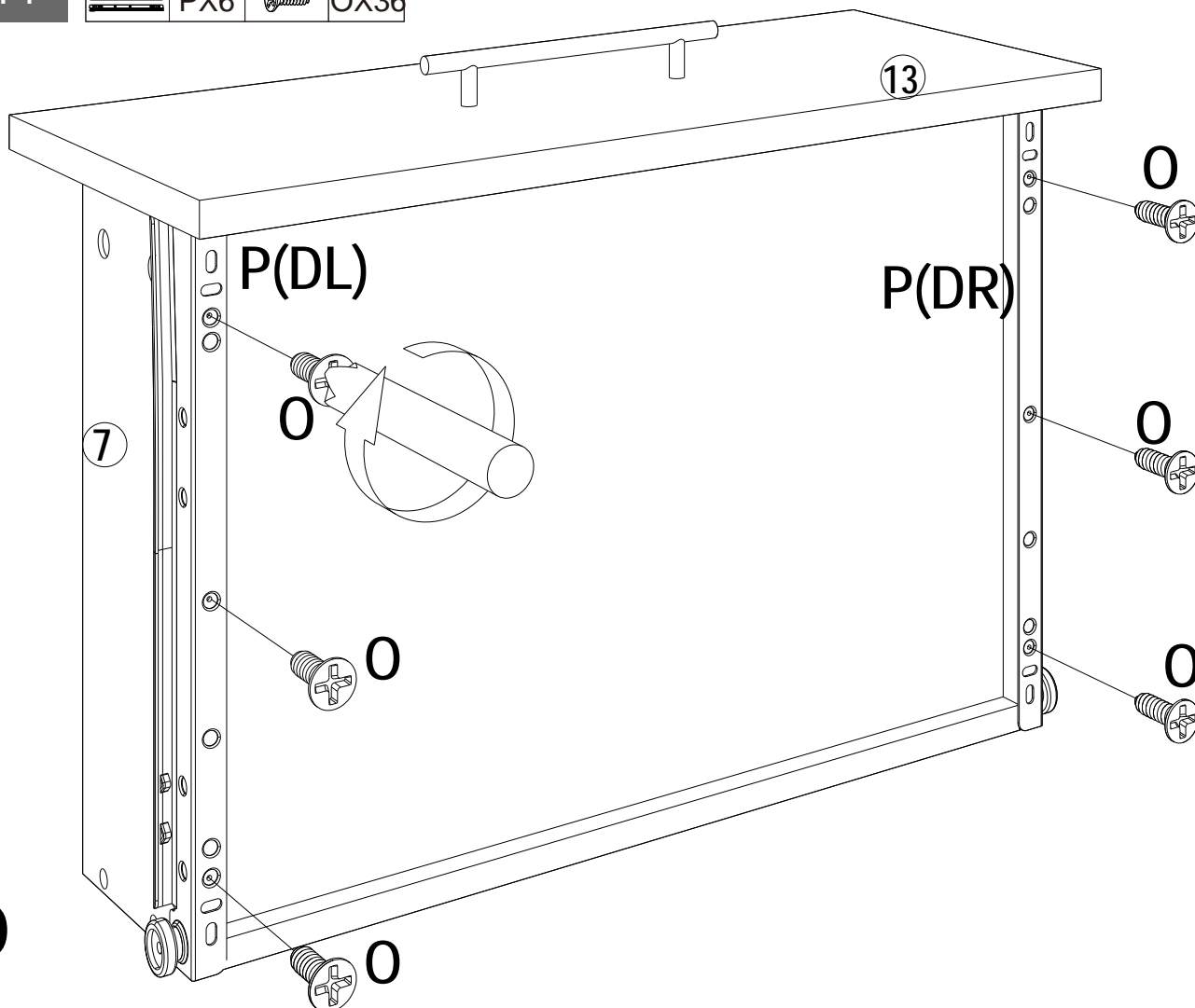
X6

STEP 13



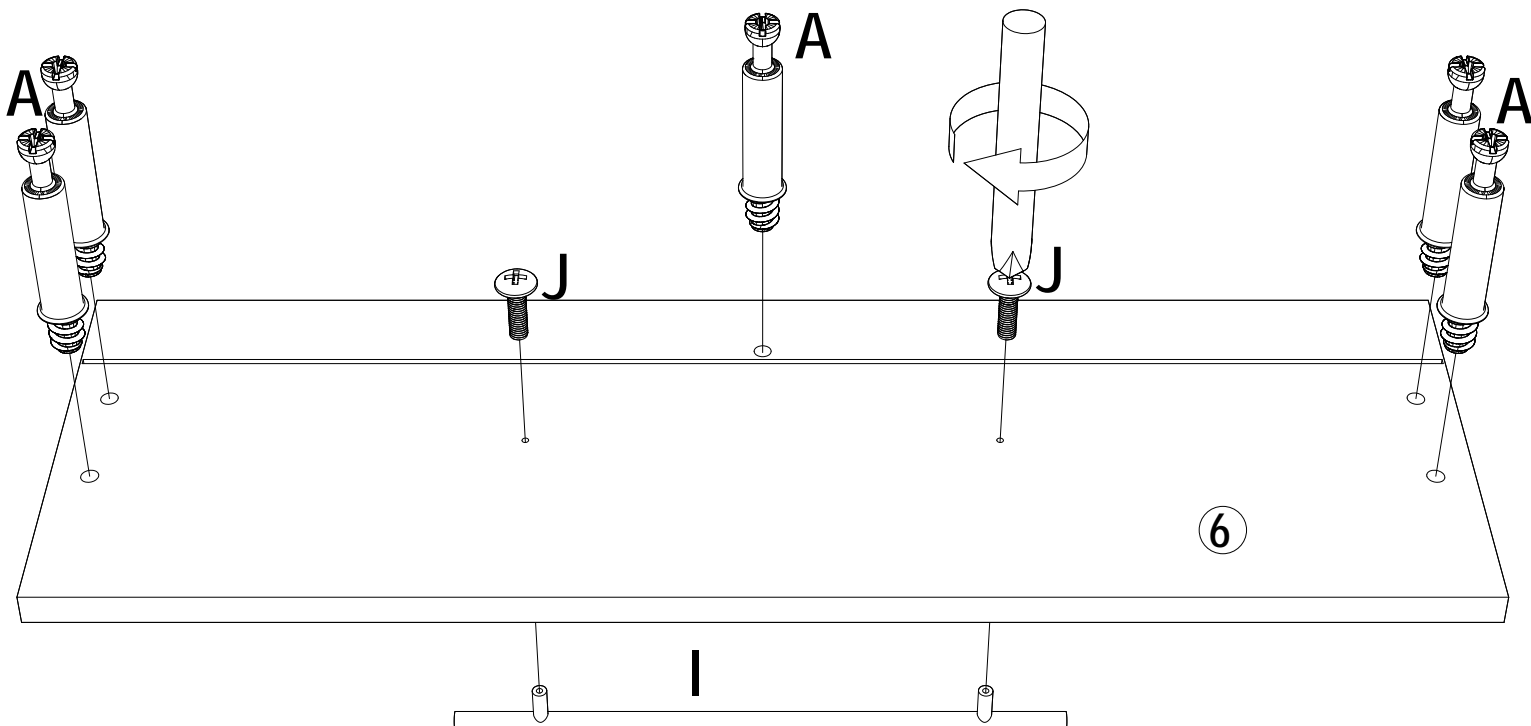
X6

STEP 14



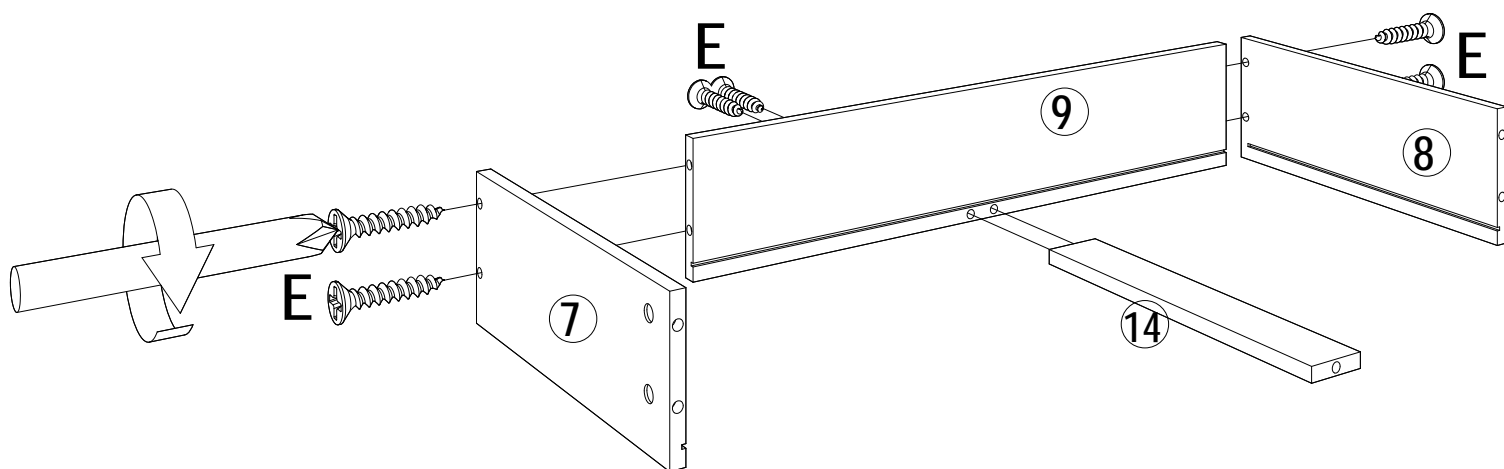
X6

STEP 15



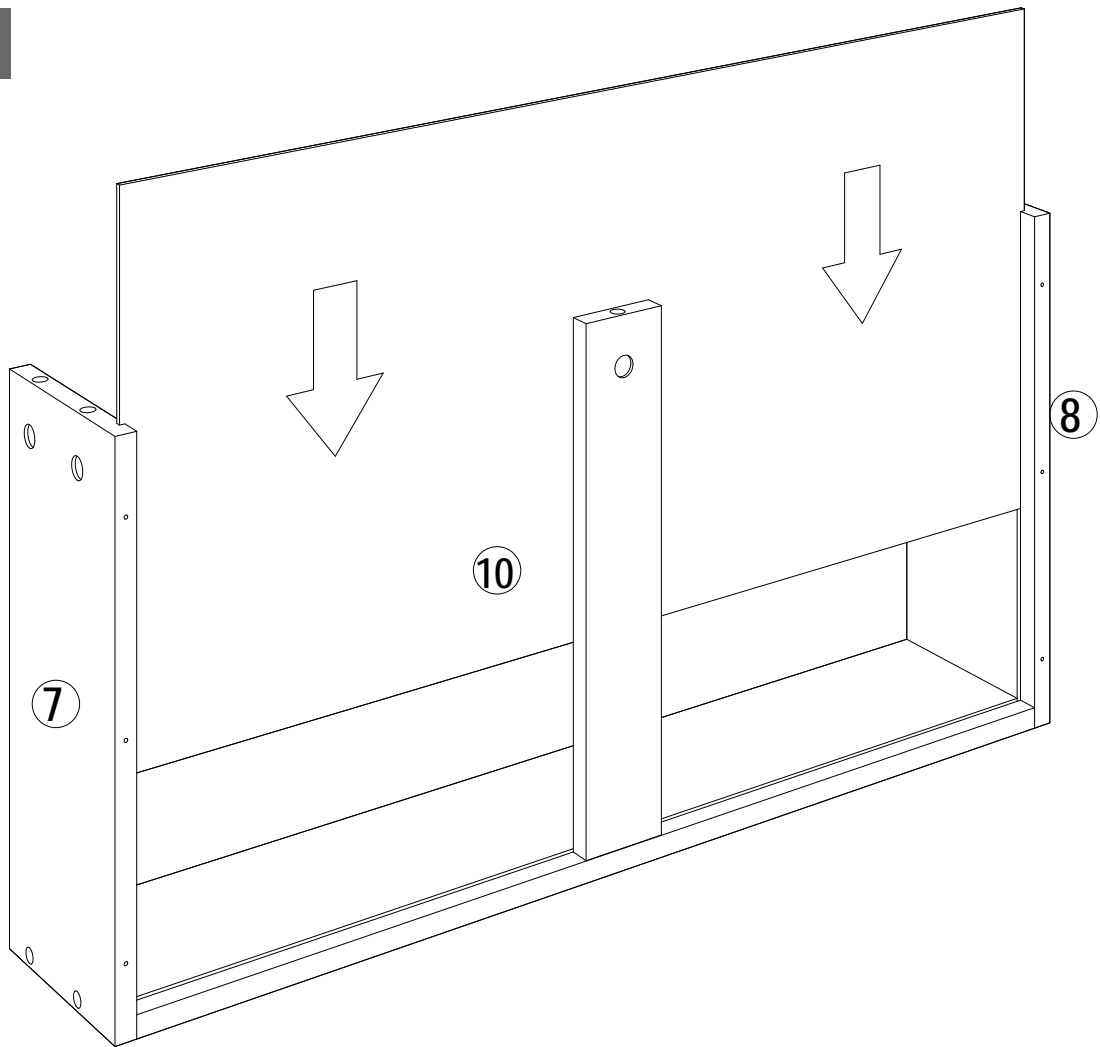
X3

STEP 16



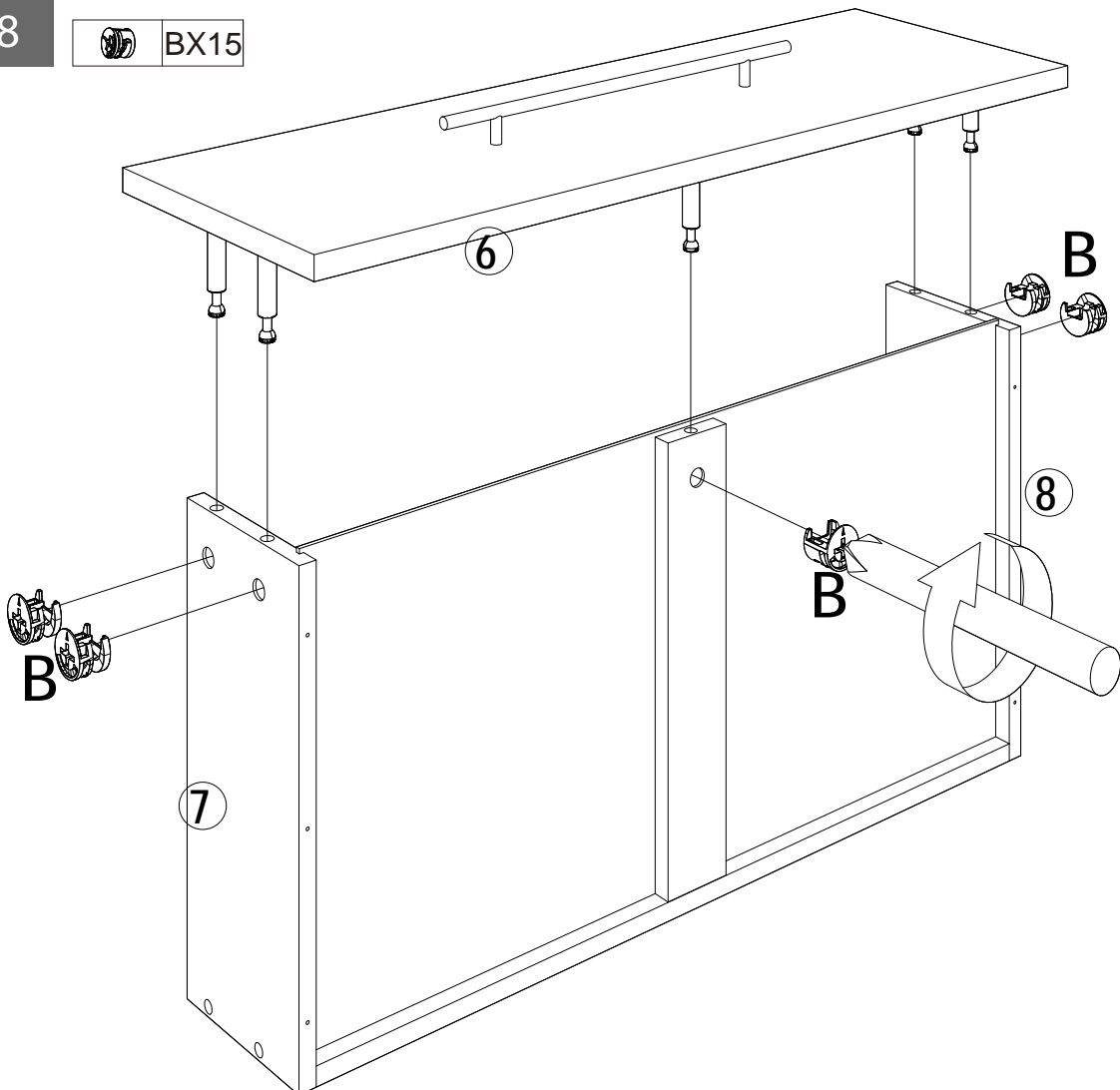
X3

STEP 17



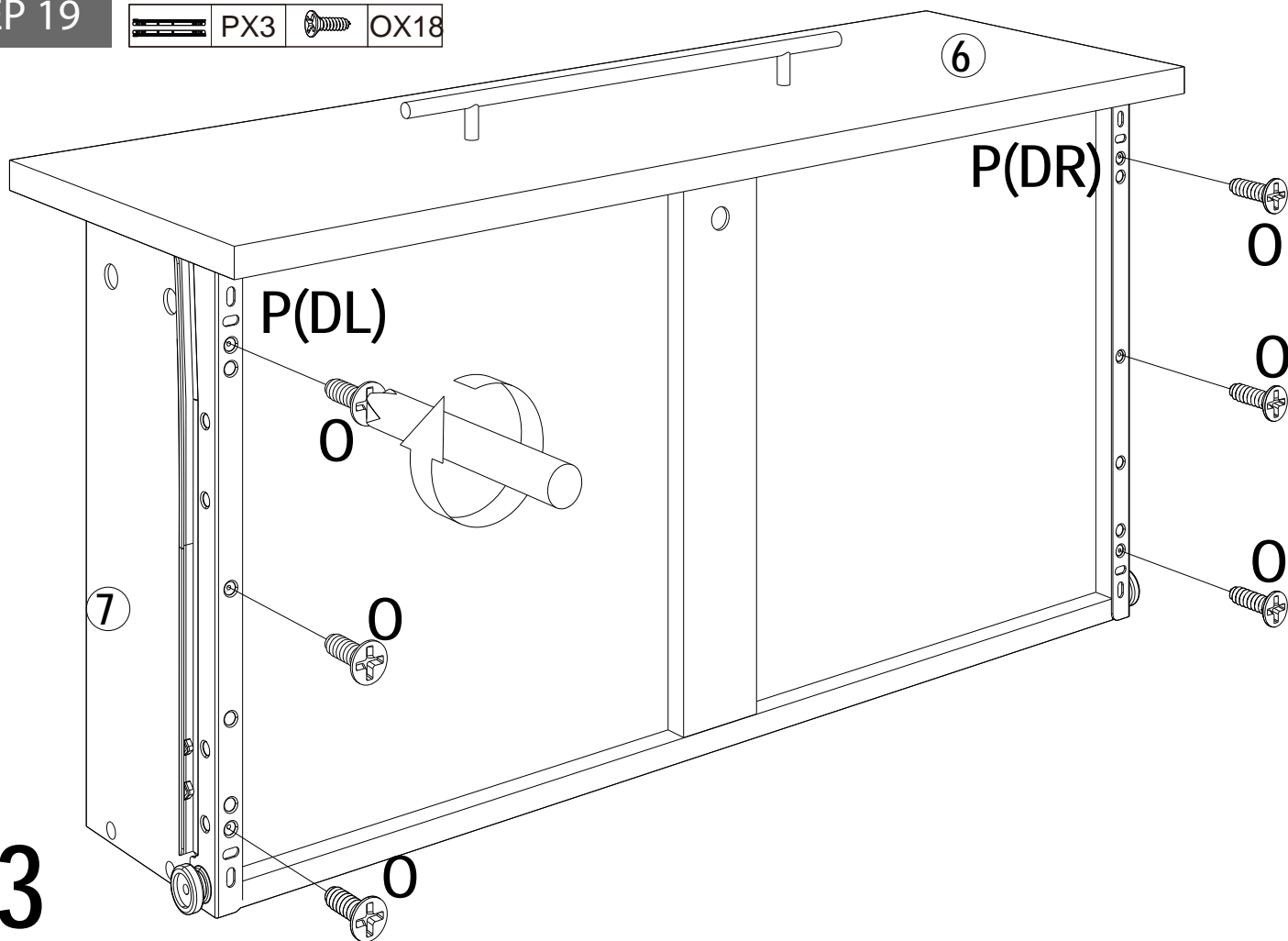
X3

STEP 18



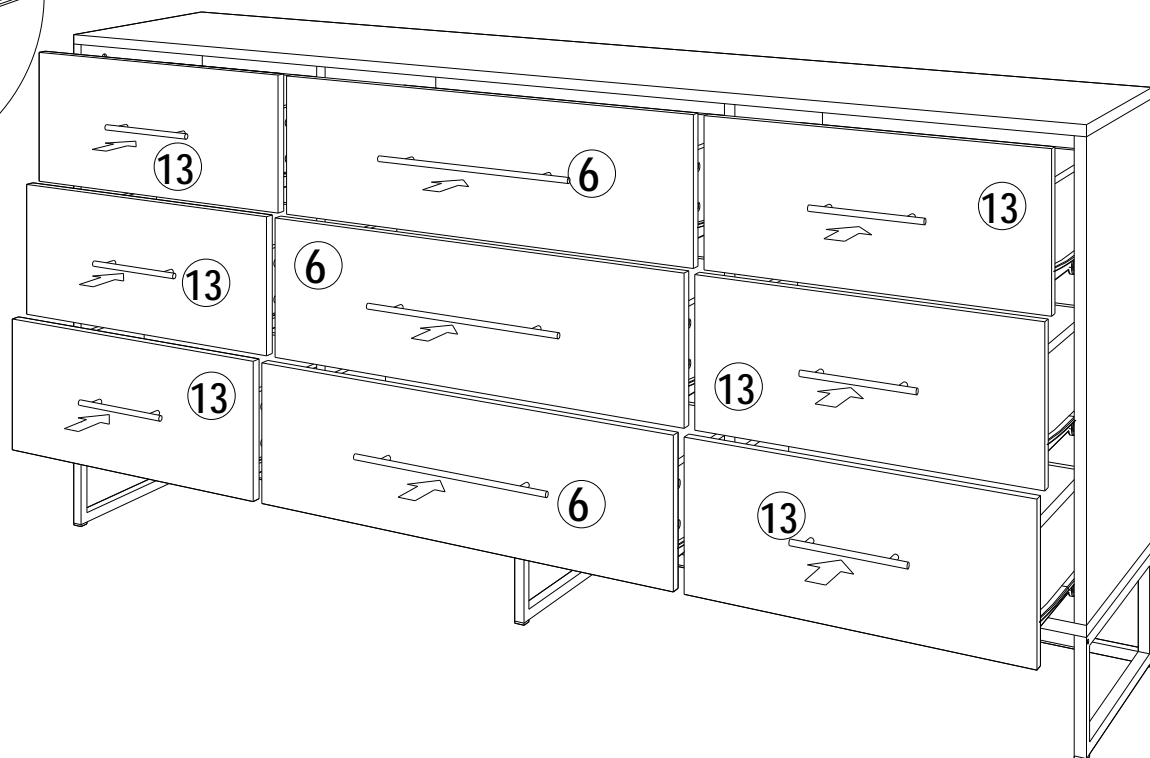
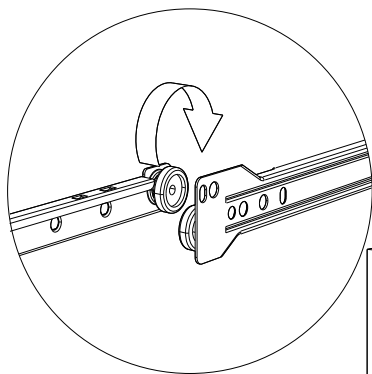
X3

STEP 19

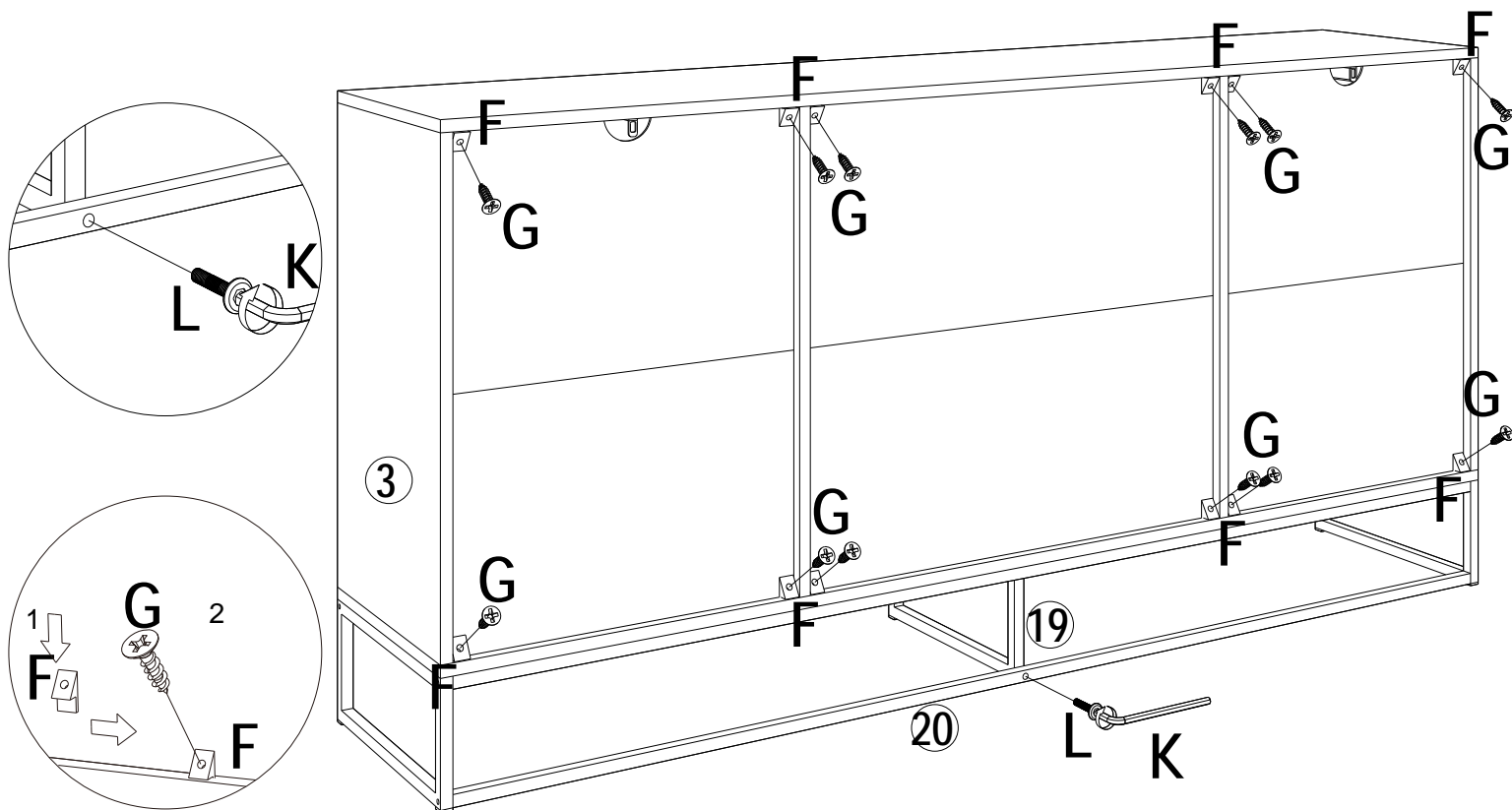
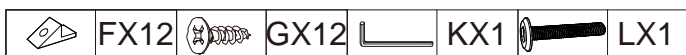


X3

STEP 20



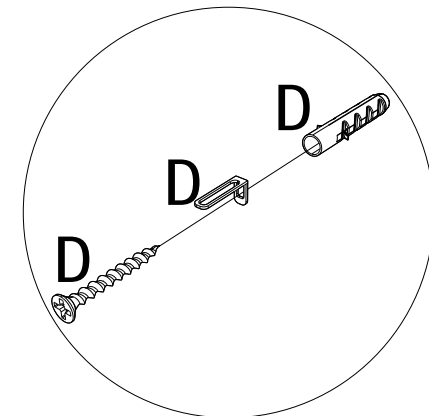
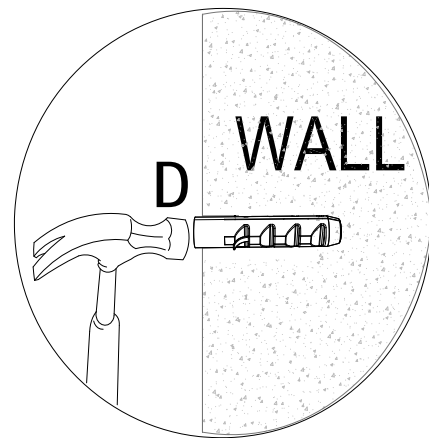
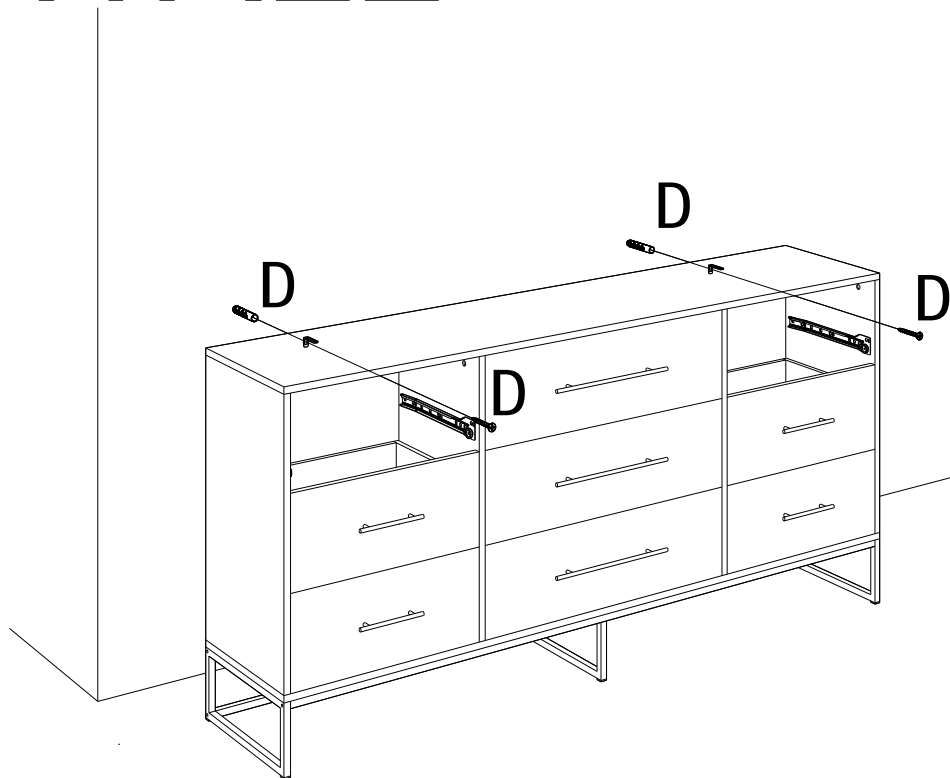
STEP 21



STEP 22



WALL



CAUTION: Always Lift Your Furniture When Moving /Relocating - Do Not Drag. Dragging Can Cause The Legs To Bend/Break.