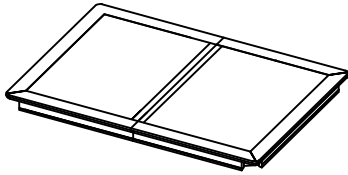


# ASSEMBLY INSTRUCTION

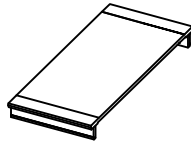
## 5056-78 (MTL) RICH CHERRY FINISH DINNING TABLE

**A** TABLE TOP



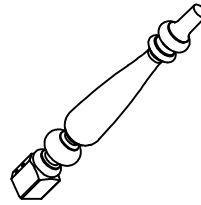
1 pc

**B** TABLE LEAF



1 pc

**C** TABLE LEG



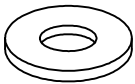
4 pcs

**D** BOLT  
 $\phi \frac{5}{16}$ " x 60 mm



8 pcs

**E** FLAT WASHER  
 $\phi \frac{5}{16}$ " x 19 mm



8 pcs

**F** LOCK WASHER  
 $\phi \frac{5}{16}$ " x 13 mm



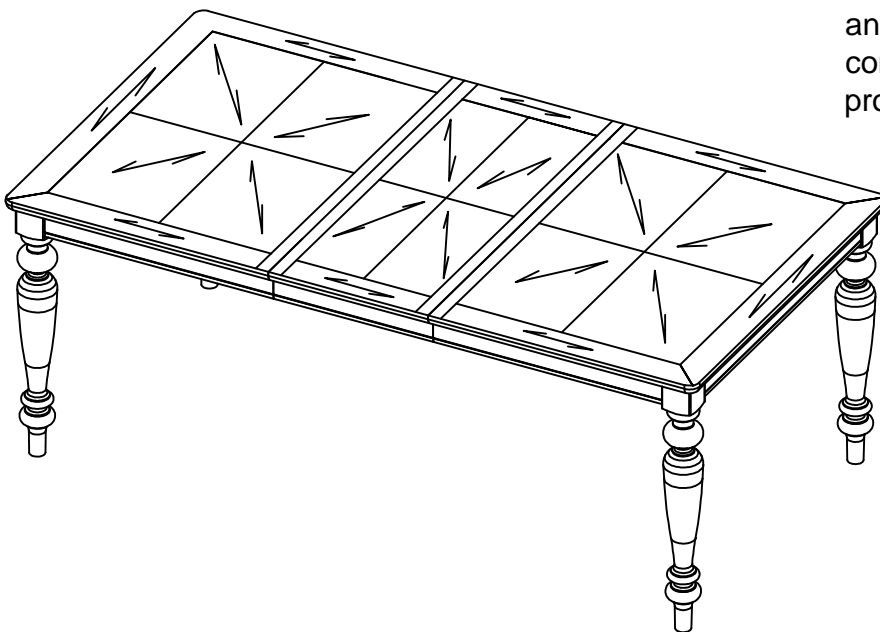
8 pcs

**G** ALLEN KEY

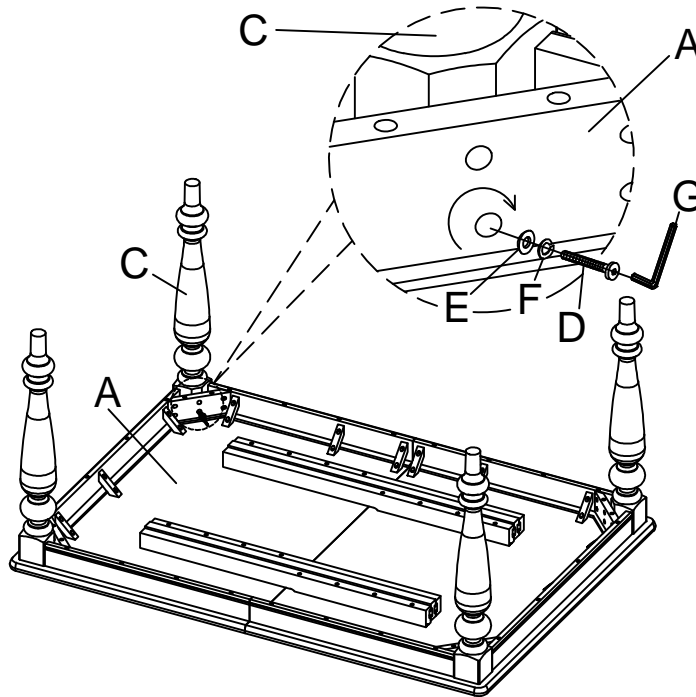


1 pc

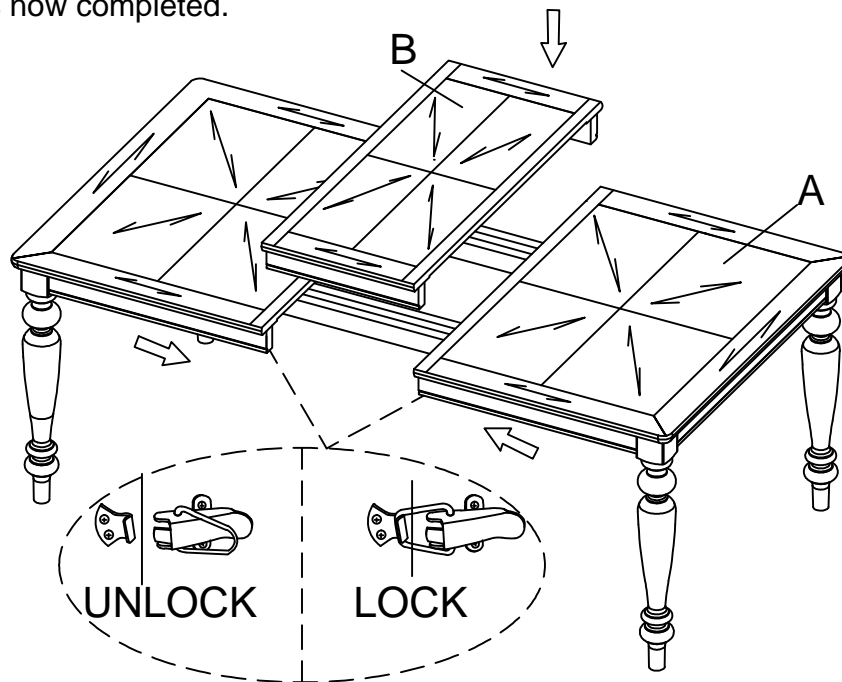
This page lists all the contents included in the box. Please take the time to identify the hardware as well as the individual components to this product. As you unpack and prepare for assembly, place the contents on a carpeted or padded area to protect them from damage.



- 1** Place the Table Top (A) up side down on the floor with a piece of cloth or carpet underneath to prevent the finish from scratching. Attach the Table Leg (C) to Table Top (A) using Flat Washer (E), Lock Washer (F) and Bolt (D) by Allen Key (G). Do not fully tighten.



- 2** Turn the table to the upright position. Unlock the latch underneath of the Table Top (A). Pull the Table Top (A) from both ends and place the Table Leaf (B) in position. Close the table top by pushing from both ends and lock the latch underneath the table top to prevent from sliding. Assembly product is now completed.



**Cleaning & Care :**

Treat surface with care. Surface is resistant to scratches but is not scratch resistant. Clean surface with a dry or damp soft cloth. Do not use abrasive cleaners. Hardware may loosen over time. Periodically check that all connections are tight.