






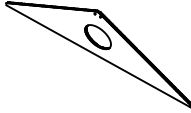






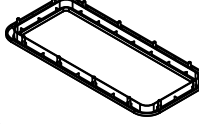

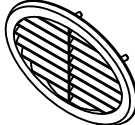
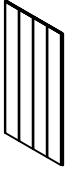
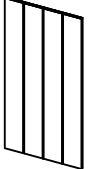
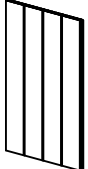


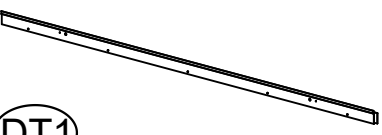





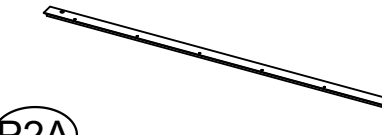
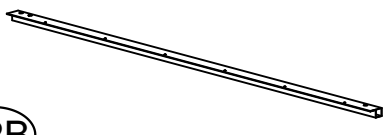


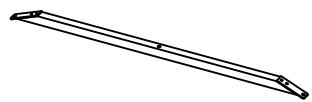
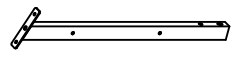
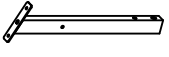






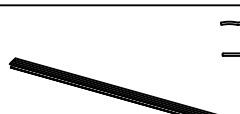




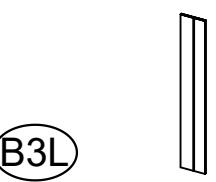
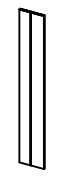
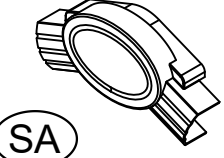
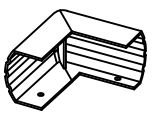
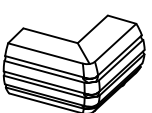

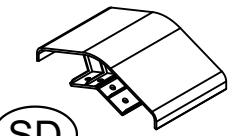
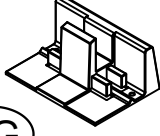
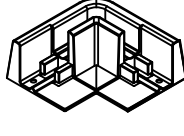
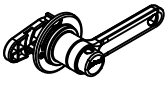
### Parts List (Box 1)

 <b>(B1)</b> 2x	 <b>(B2)</b> 1x	 <b>(B4L)</b> 2x	 <b>(B4R)</b> 2x
 <b>(B5L)</b> 1x	 <b>(B5R)</b> 1x	 <b>(B6A)</b> 1x	 <b>(B6B)</b> 1x
 <b>(B7)</b> 1x	 <b>(B7B)</b> 1x	 <b>(B8)</b> 3x	 <b>(B8B)</b> 1x
 <b>(SE)</b> 4x	 <b>(SEI)</b> 4x	 <b>(SEO)</b> 4x	
 <b>(SFI)</b> 2x	 <b>(SFO)</b> 2x		

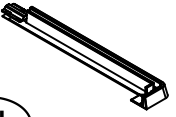
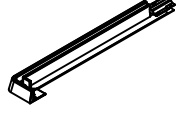
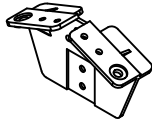
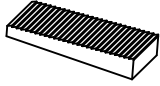

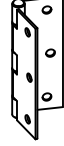

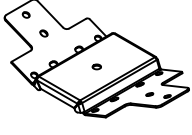
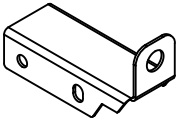






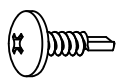






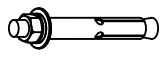
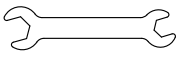

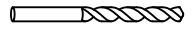
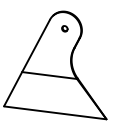


### Parts List (Box 2)

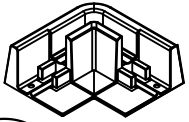
 <b>(A1)</b> 8x	 <b>(C1)</b> 4x	 <b>(C2)</b> 4x	

### Parts List (Box 3)

 <b>(DT1)</b> 1x	 <b>(DR)</b> 1x	 <b>(DL)</b> 1x	
 <b>(DM)</b> 1x	 <b>(U1)</b> 4x	 <b>(U4)</b> 2x	
 <b>(P2A)</b> 2x	 <b>(P2B)</b> 2x	 <b>(N1)</b> 1x	
 <b>(R1)</b> 2x	 <b>(T1)</b> 1x	 <b>(U2)</b> 2x	 <b>(U5)</b> 2x
 <b>(D1)</b> 6x	 <b>(E1)</b> 1x	 <b>(FIL)</b> 3x	 <b>(FIR)</b> 3x
 <b>(F3L)</b> 1x	 <b>(F3R)</b> 1x	 <b>(G1)</b> 2x	 <b>(H1)</b> 4x
 <b>(J1)</b> 4x	 <b>(K1)</b> 4x	 <b>(Q2)</b> 2x	
 <b>(B3L)</b> 1x	 <b>(B3R)</b> 1x		
 <b>(SA)</b> 2x	 <b>(SCA)</b> 2x	 <b>(SCB)</b> 2x	 <b>(SB)</b> 2x
 <b>(SD)</b> 1x	 <b>(SG)</b> 3x	 <b>(SH)</b> 2x	 <b>(SK)</b> 1x

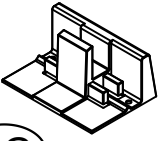
### Parts List (Box 3)

 <b>(SIL)</b> 1x	 <b>(SIR)</b> 1x	 <b>(SJ)</b> 2x	 <b>(SP)</b> 2x
 <b>(X1)</b> 2x	 <b>(X2)</b> 6x	 <b>(X3)</b> 1x	 <b>(X4)</b> 1x
 <b>(X5)</b> 6x	 <b>(X6)</b> 1x	rubber sealing strip  <b>(X7)</b> 1x	
 <b>1</b> ST3.8x12 77x	 <b>2</b> ST3.8x14 201x	 <b>3</b> ST3.8x12 38x	 <b>4</b> ST4.8x32 72x
 <b>5</b> ST4.2x15 5x	 <b>6</b> ST2.8x12 54x	 <b>7</b> M6x15 24x	 <b>8</b> M6x40 20x
 <b>9</b> M6 20x	 <b>10</b> M8x45 1x	 <b>11</b> M6 20x	 <b>12</b> M8x80 6x
<b>TOOL:</b>	 <b>(Y1)</b> 1x	 <b>(Y2)</b> 5MM 1x	 <b>(Y3)</b> 1x
 <b>(Y5)</b> 2x	 <b>(Y6)</b> 1x	 <b>(Y7)</b> 1x	



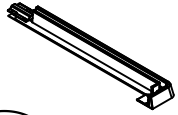
SH

2x



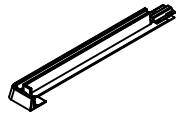
SG

3x



SIL

1x



SIR

1x



D1

6x



E1

1x

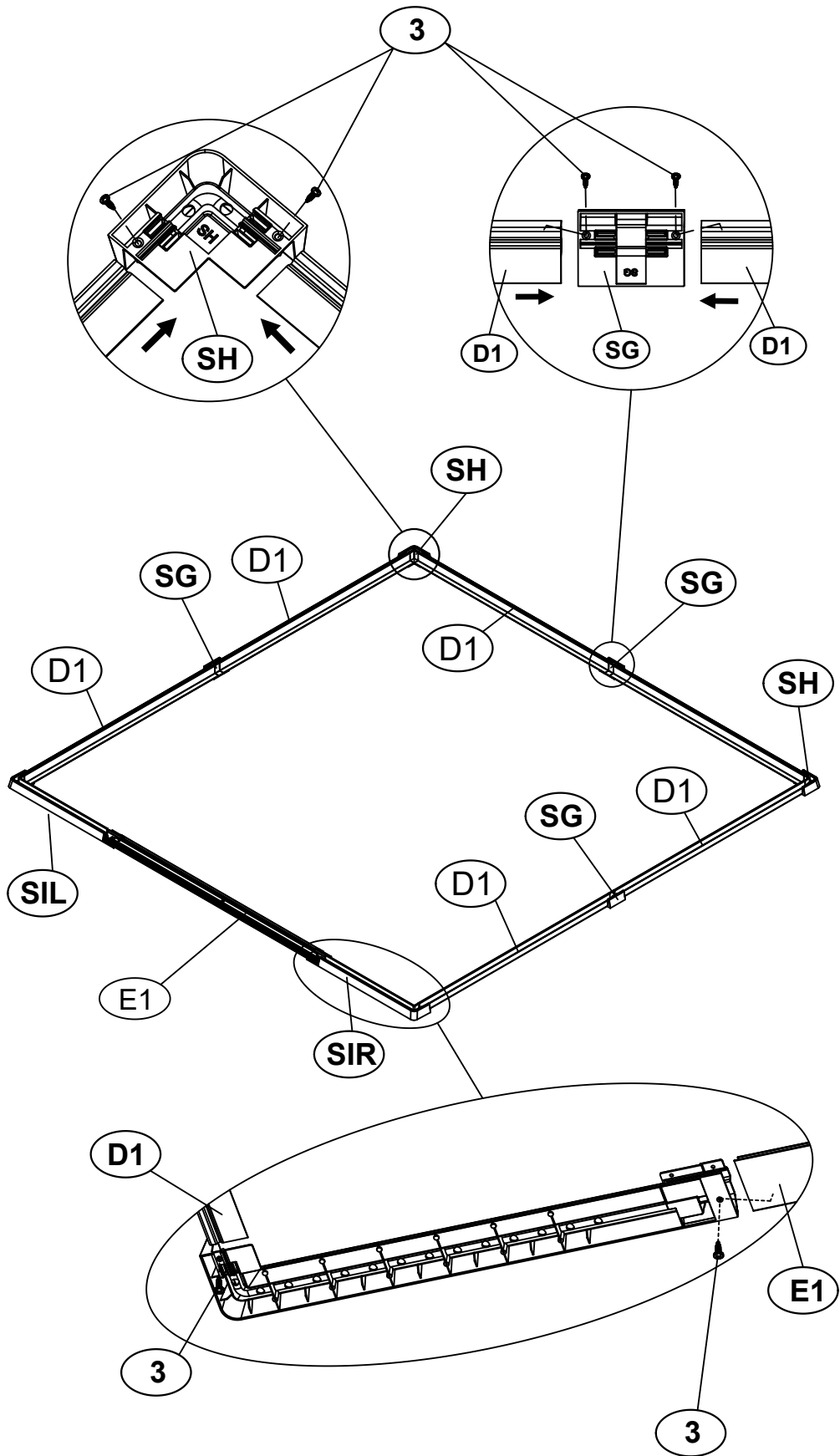


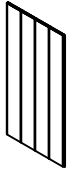
ST3.8x12

3

14x

<1>





A1

8x

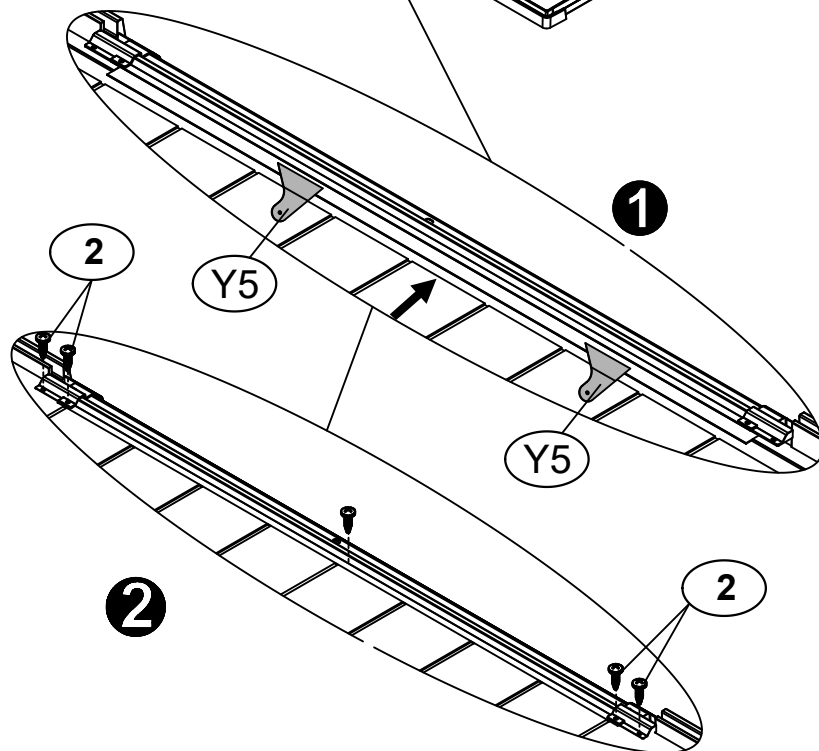
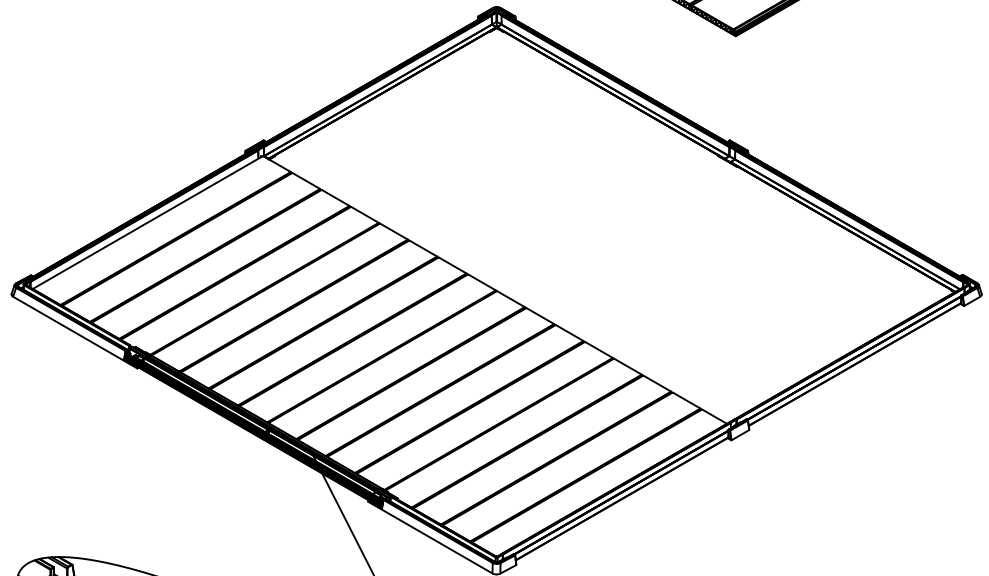
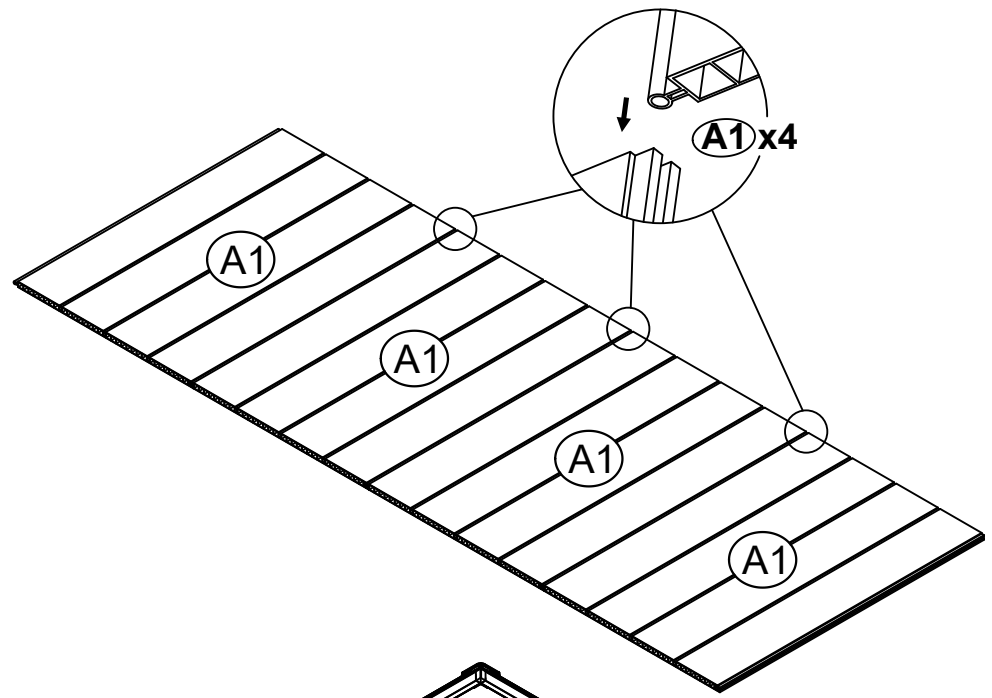


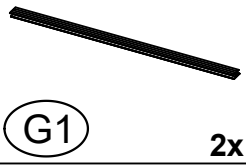
ST3.8x14

2

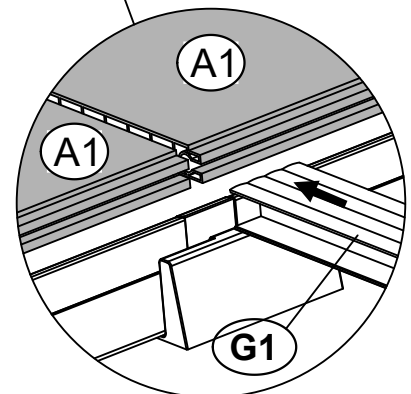
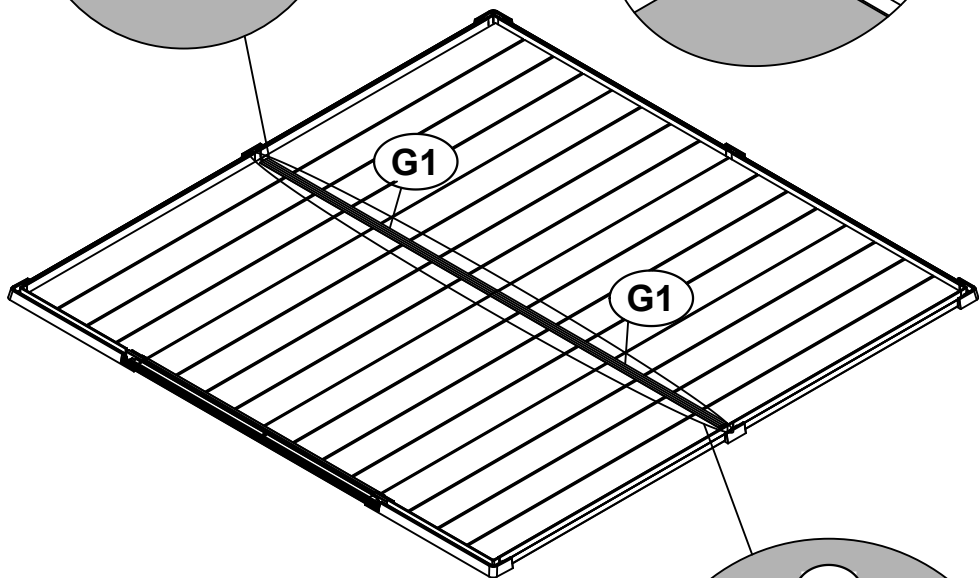
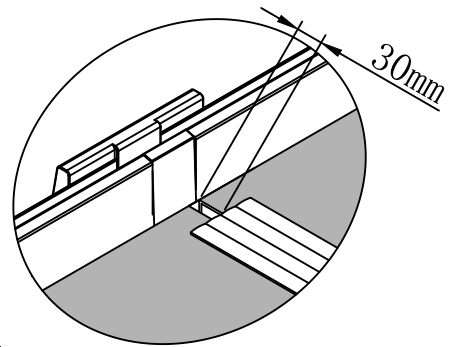
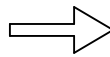
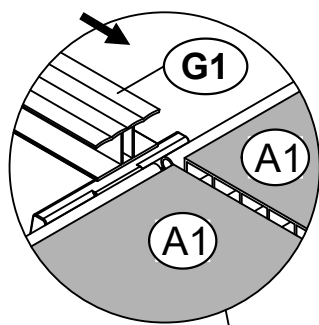
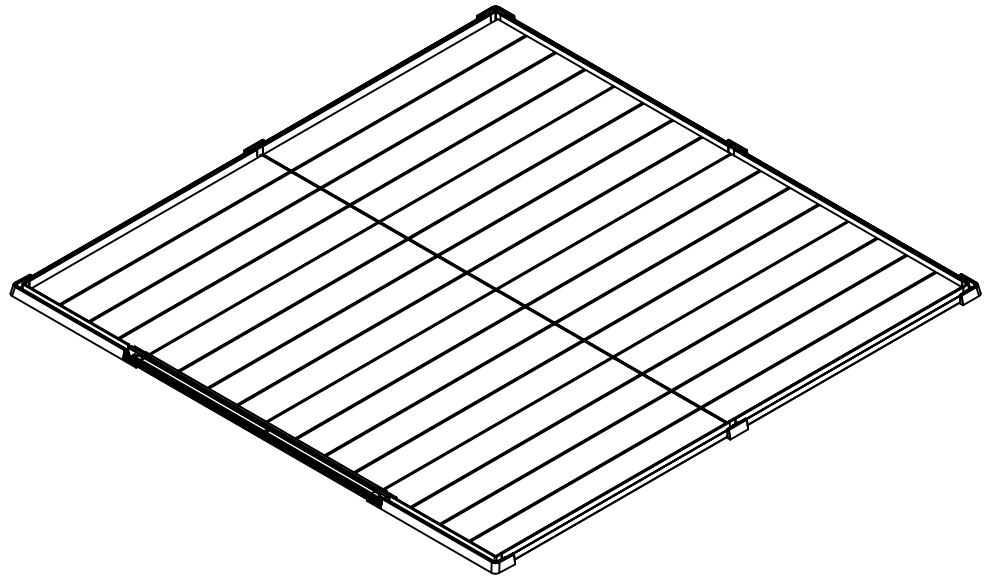
5x

<2>



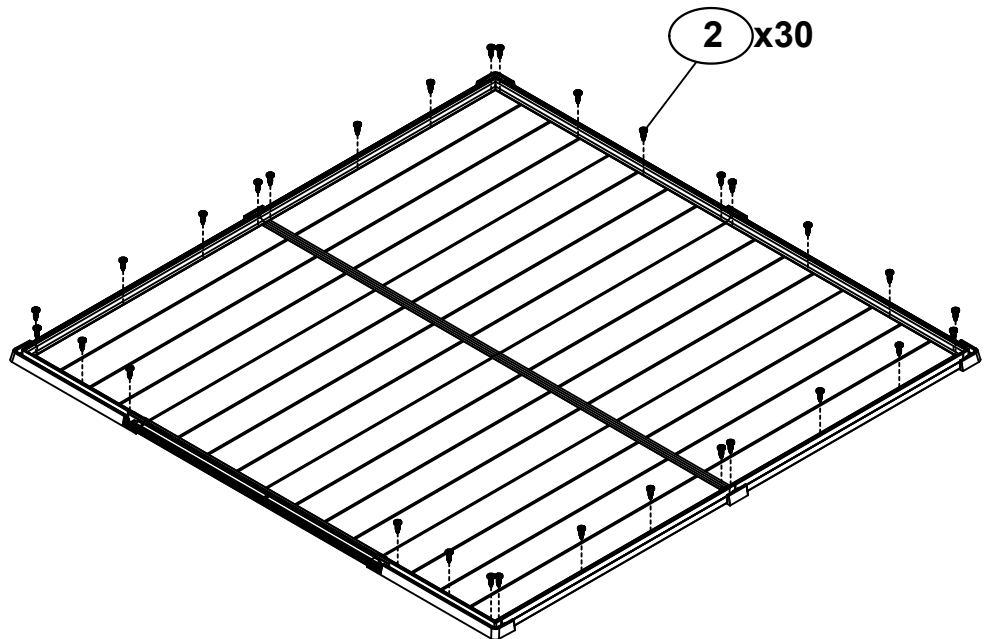
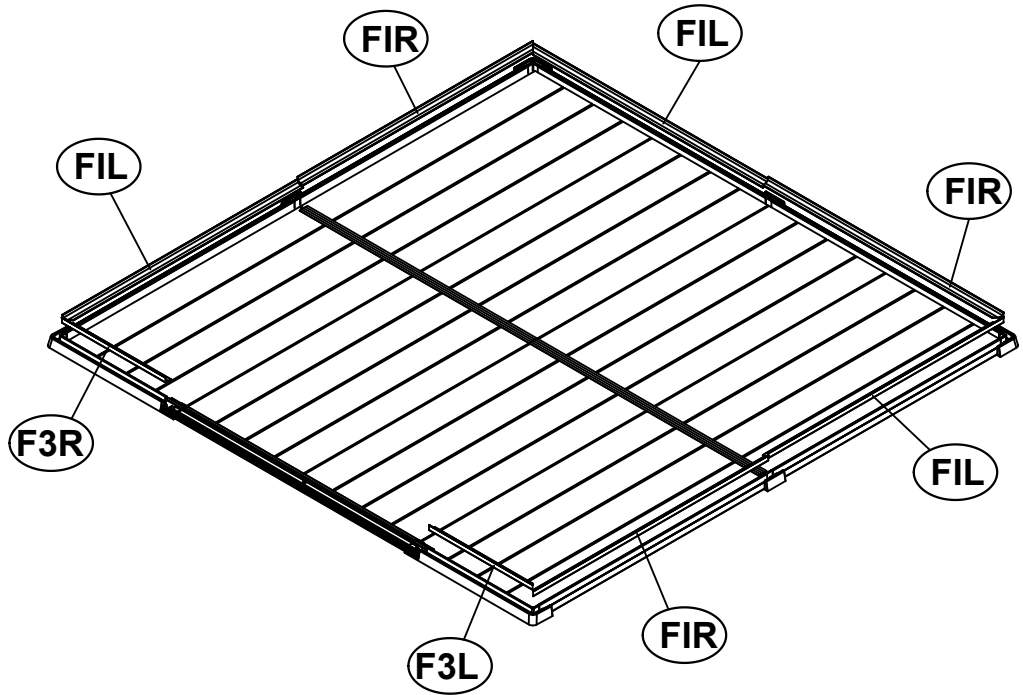
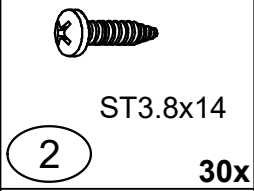
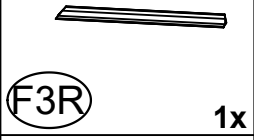
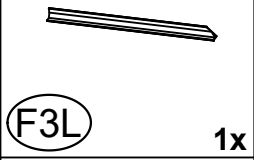


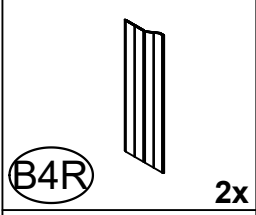
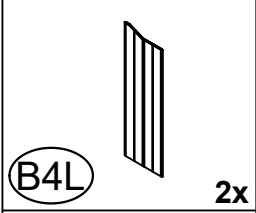
<3>



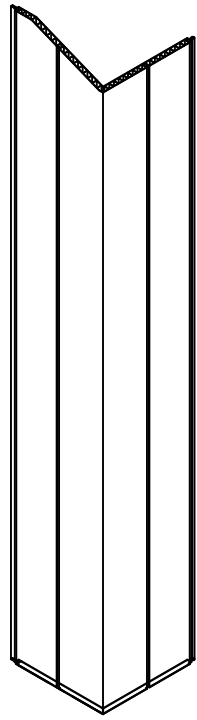
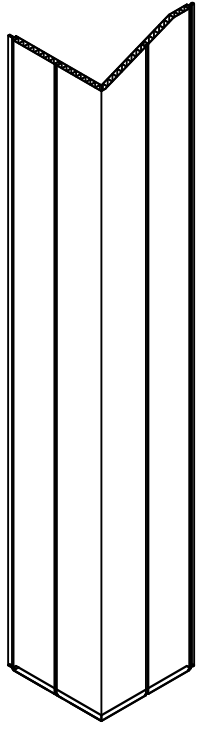
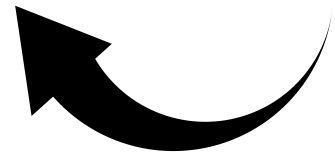
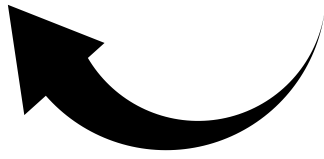
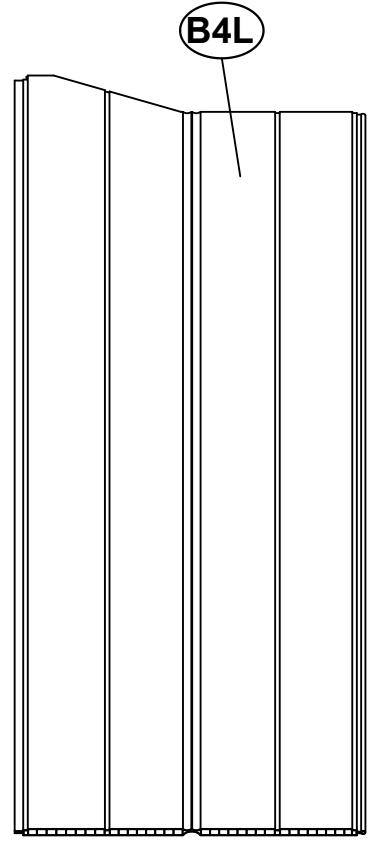
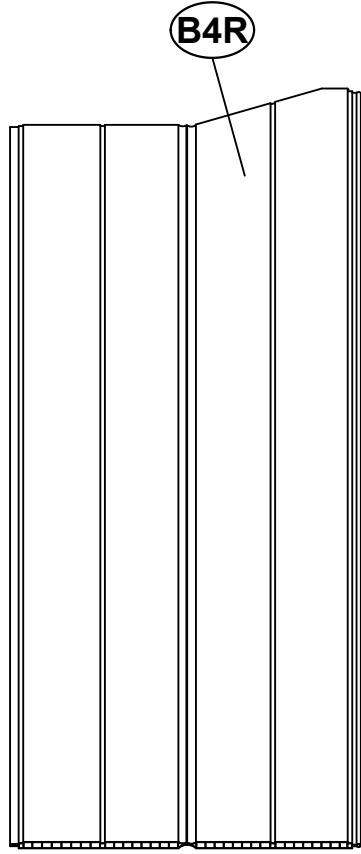
During installation, the base plate needs to be lifted

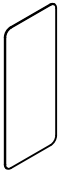

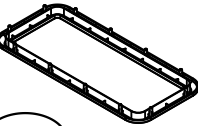





<4>





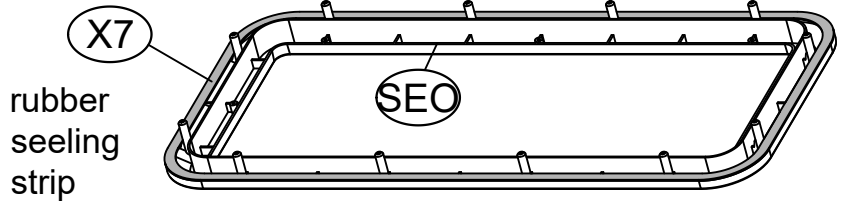
<5>



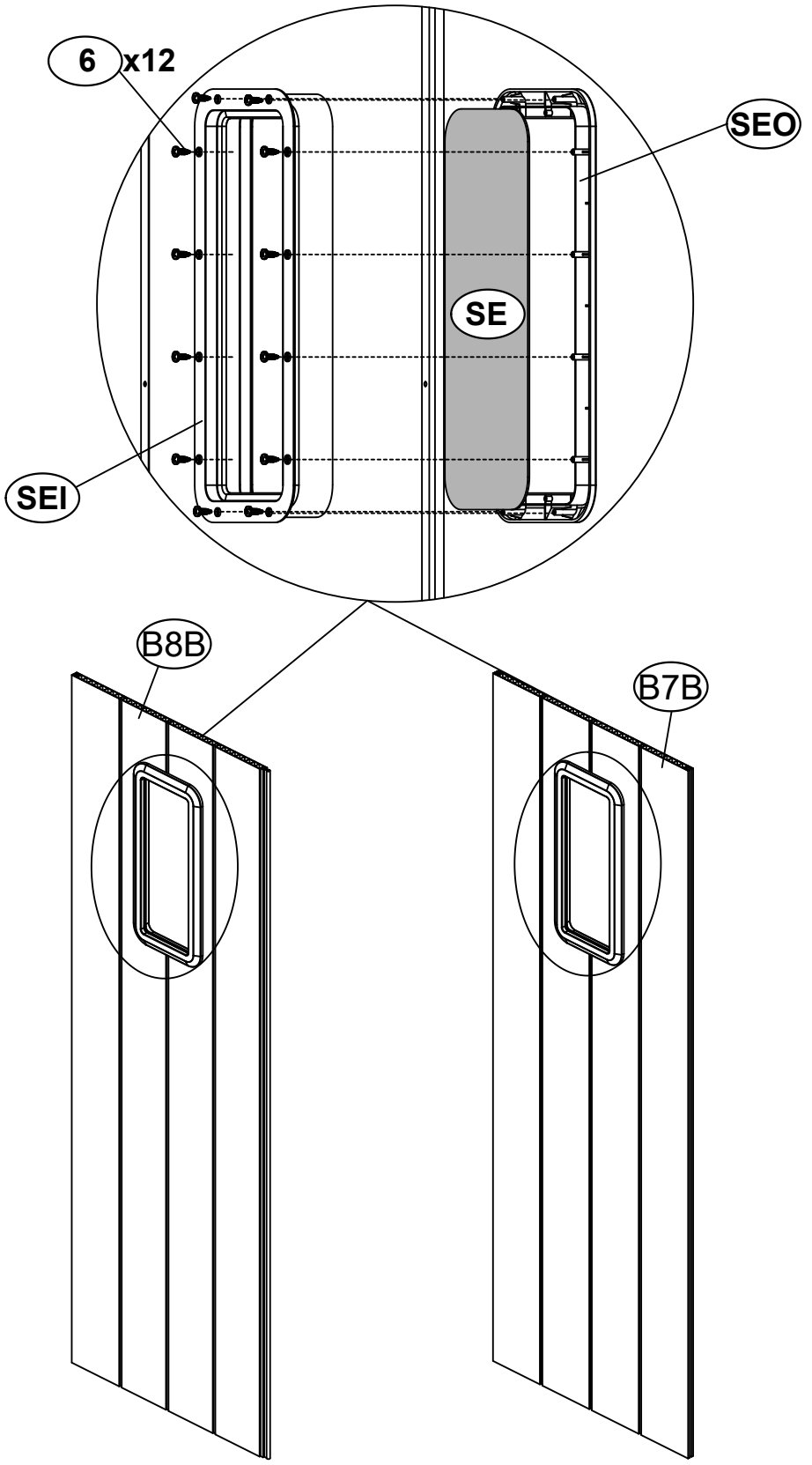
	2x
	2x
	2x
	1x
	1x
	1x
	24x
ST2.8x12	
	24x

<6>

1

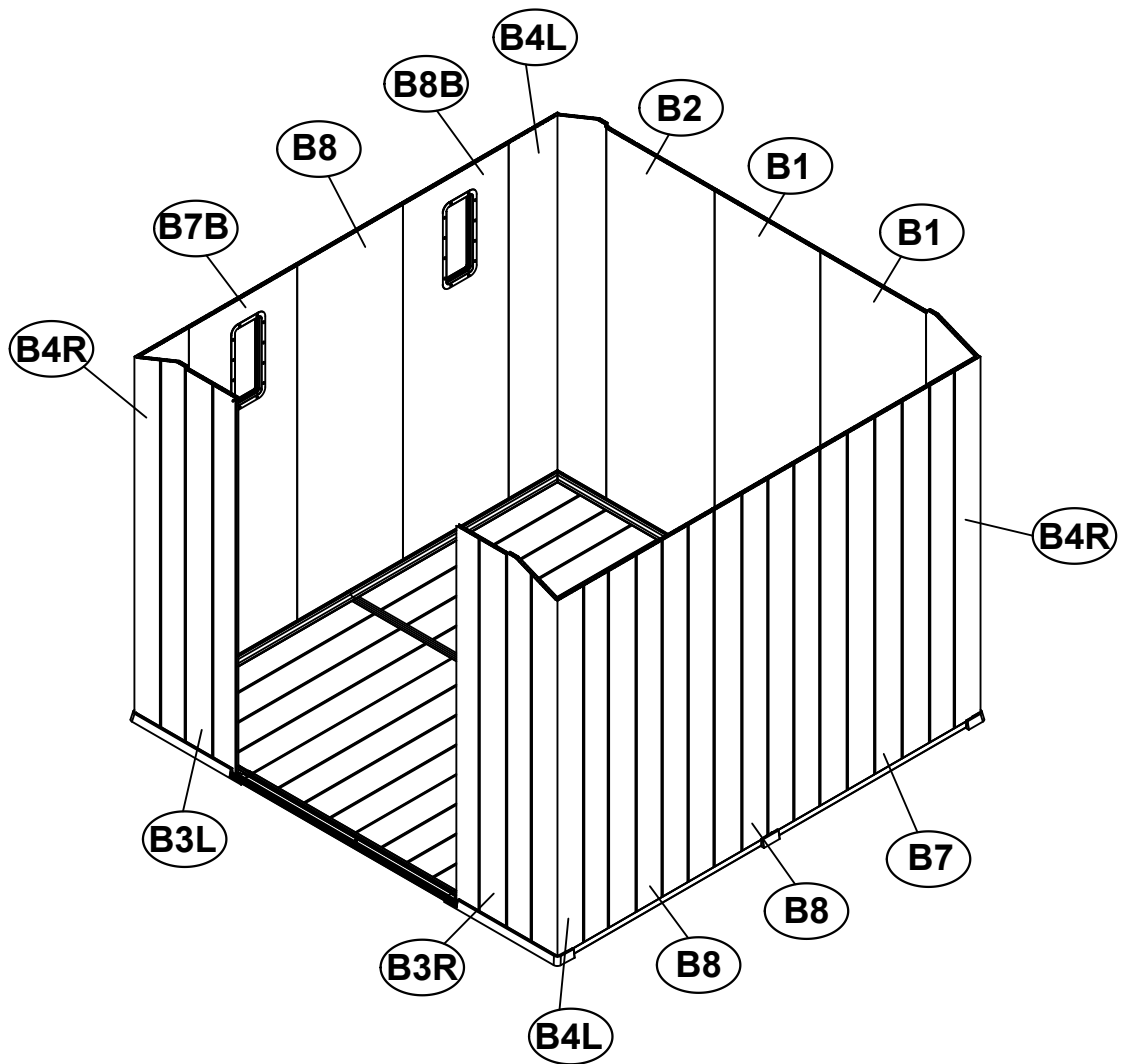


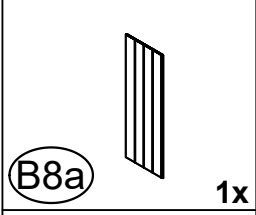
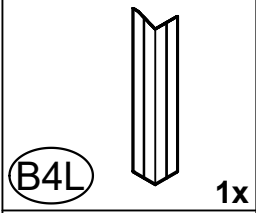
2



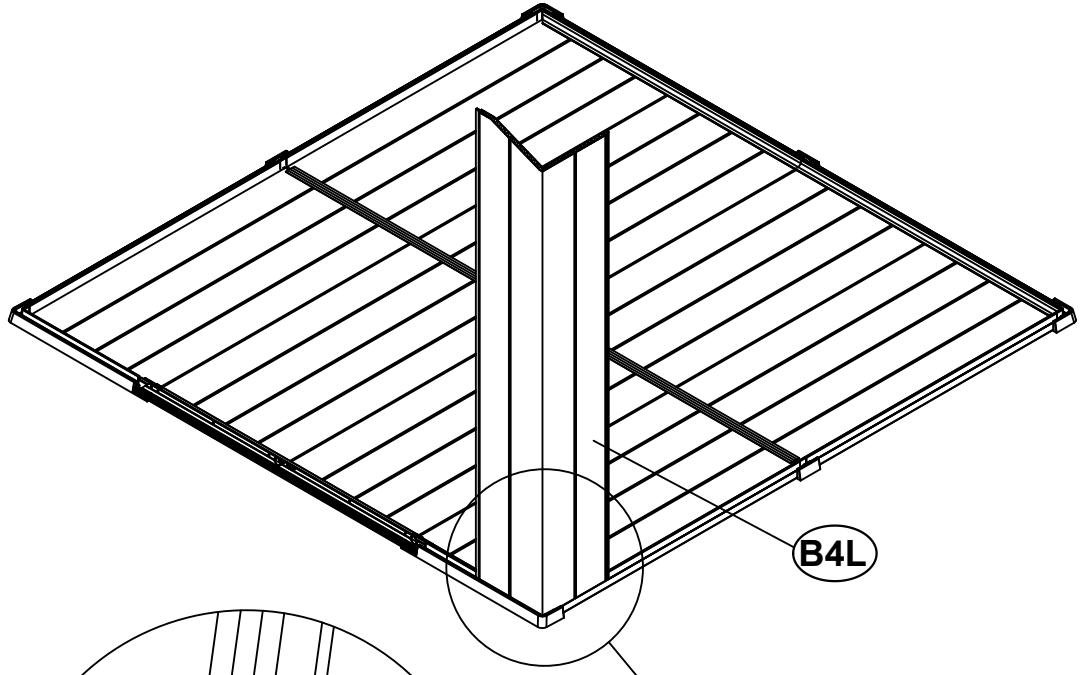
<7>

The parts #B7# & #B7B#, #B8# & #B8B# are interchangeable, please install in a suitable position according to lighting needs.

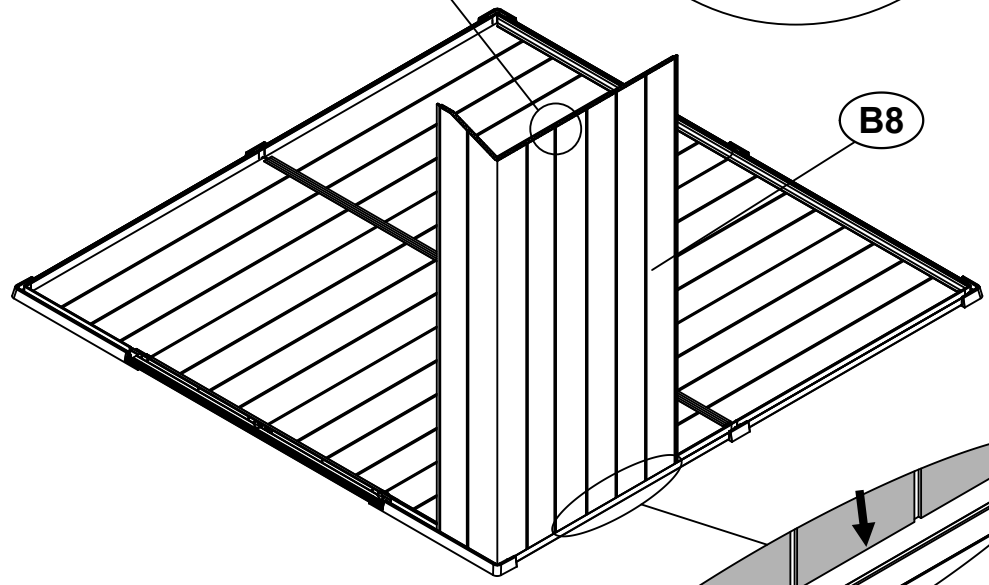
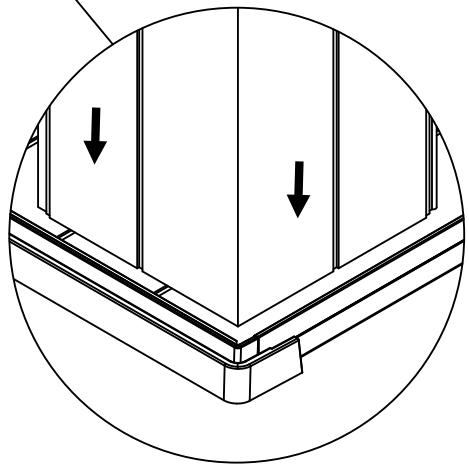
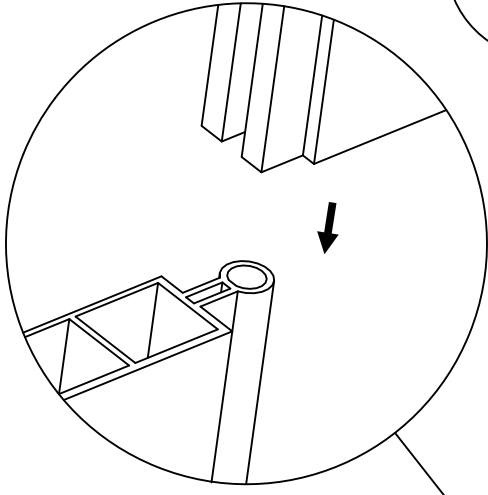




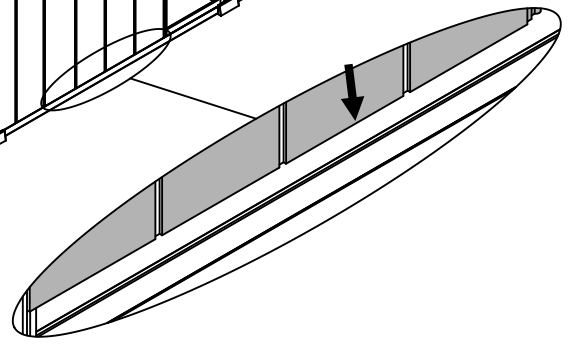
<8>

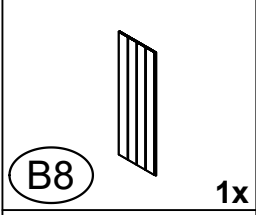
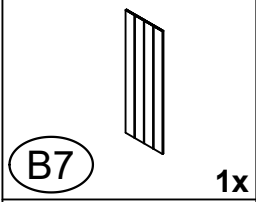


B4L

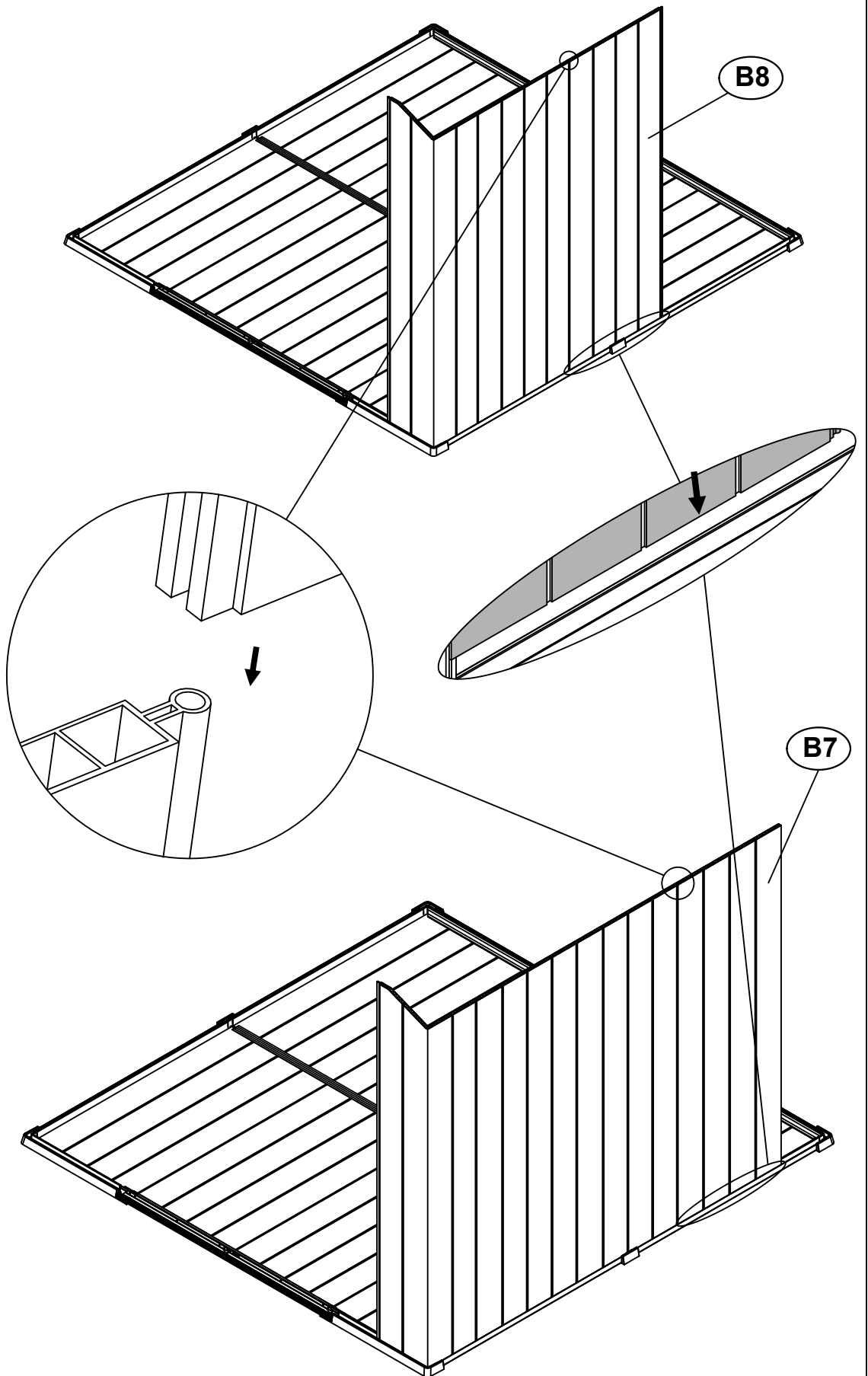


B8

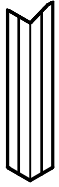




<9>

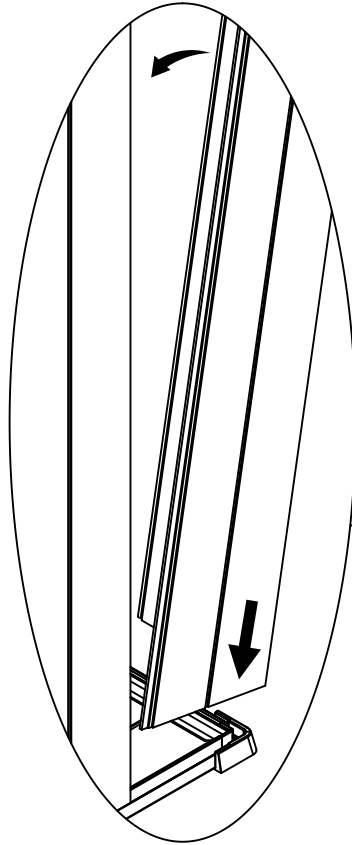


(B4R)

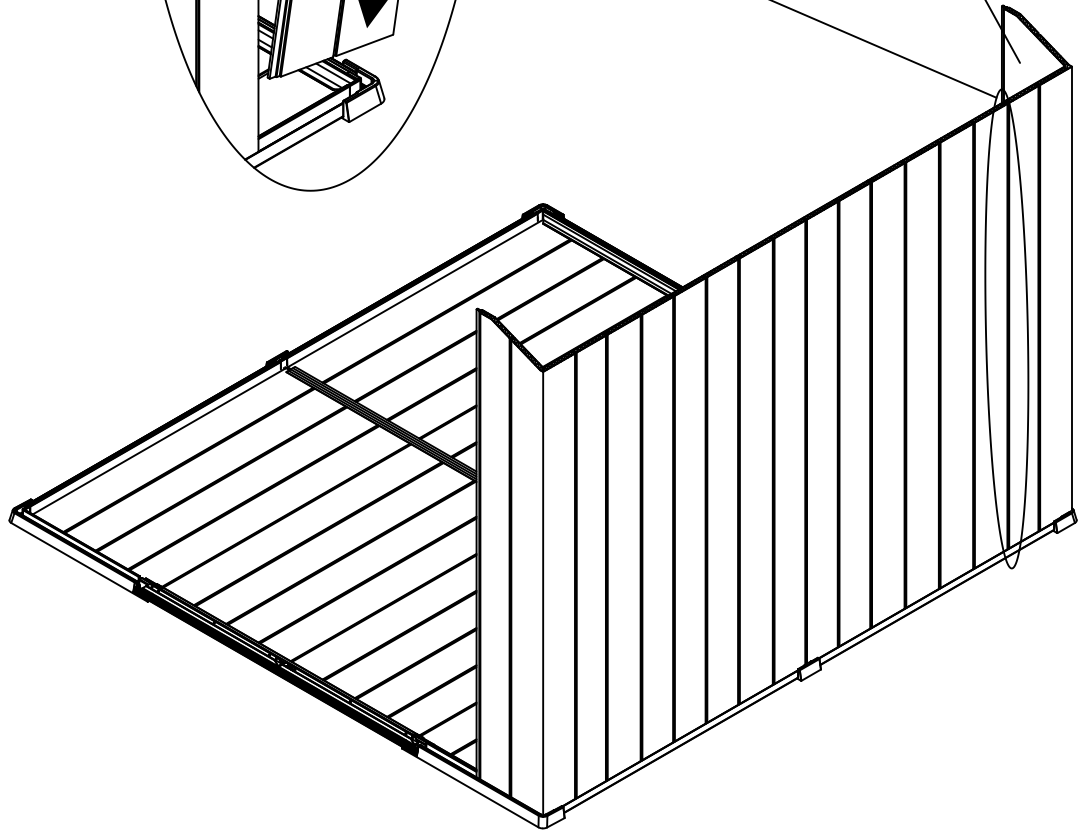


1x

<10>

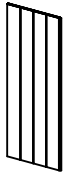


(B4R)



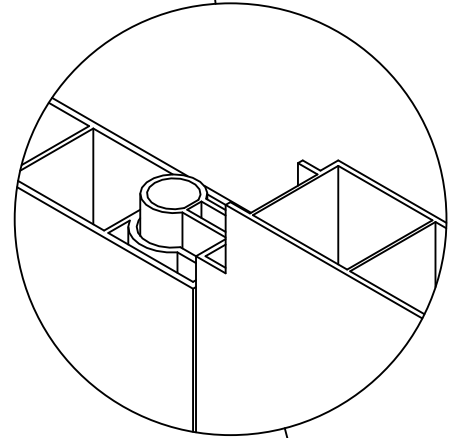
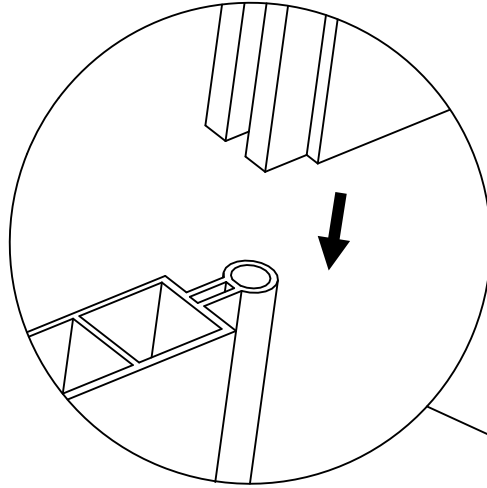
<11>

B1

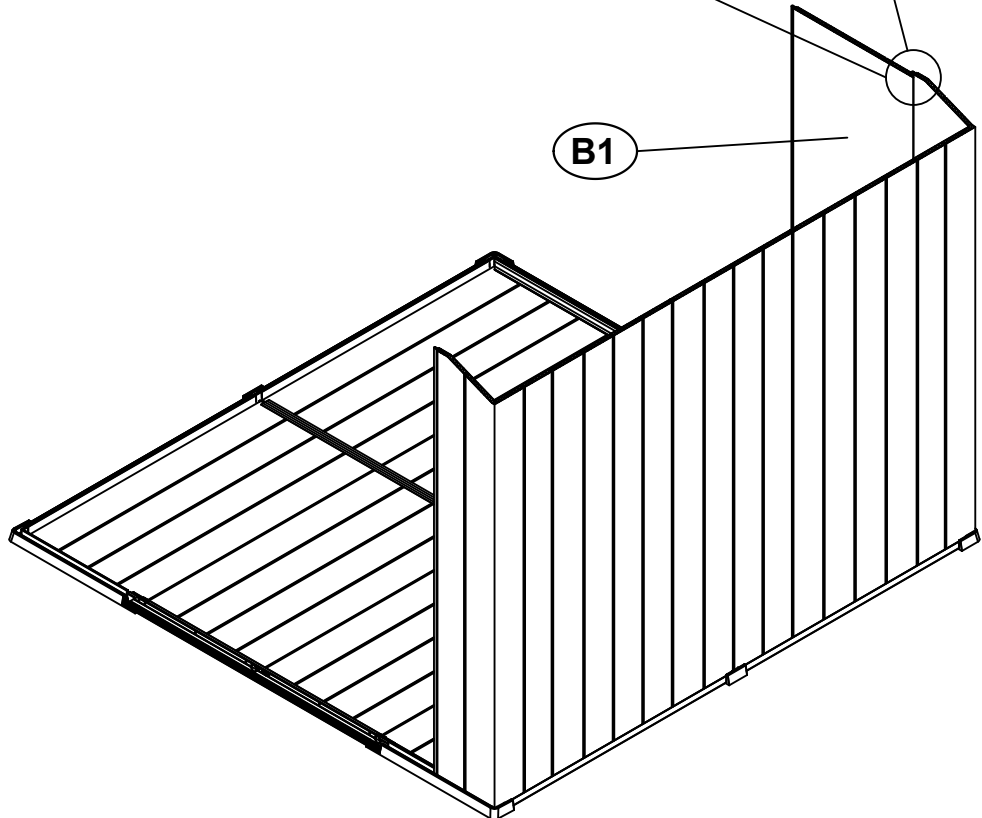


1x

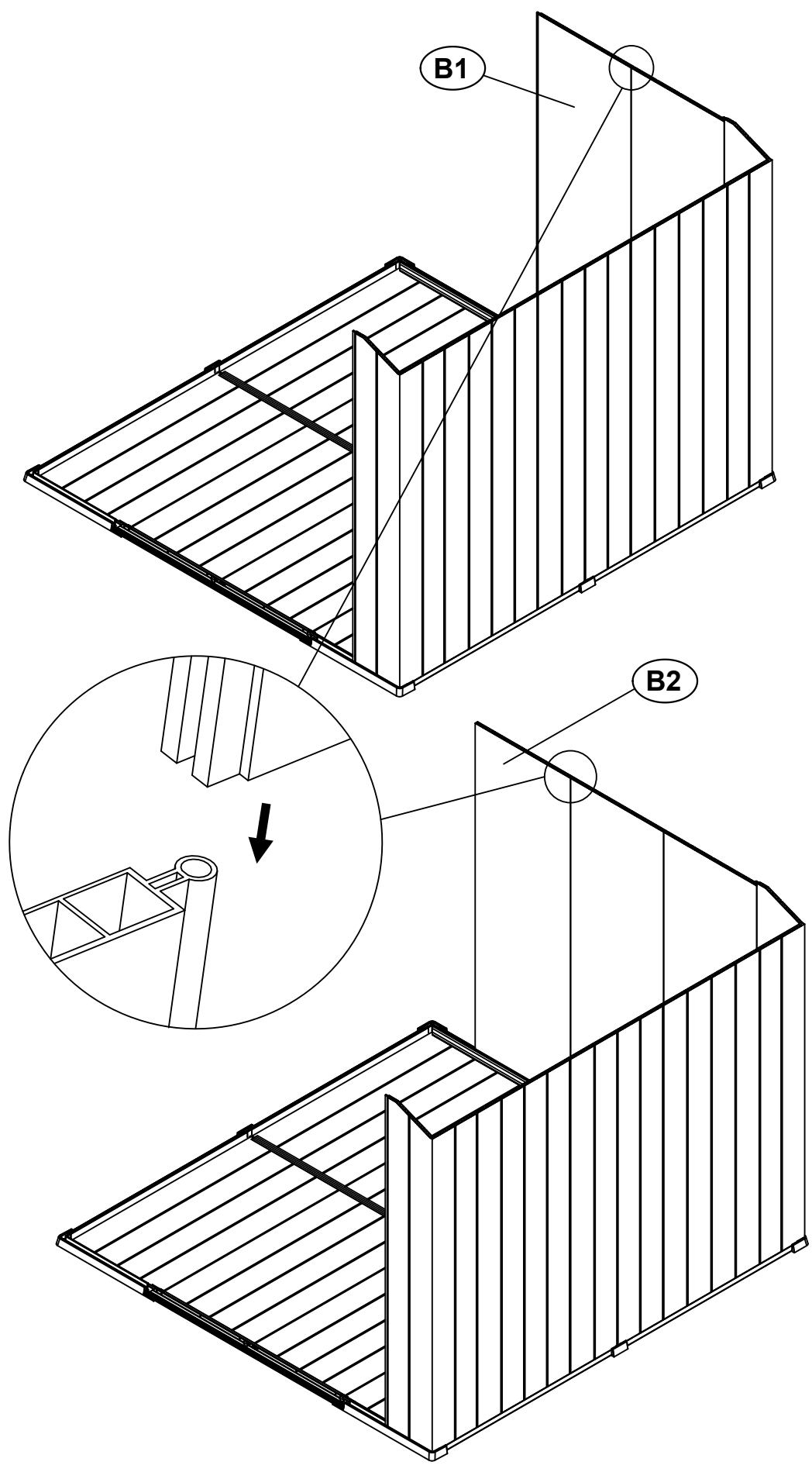
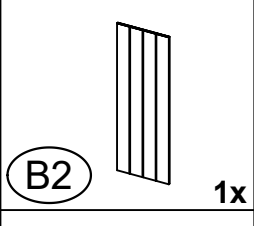
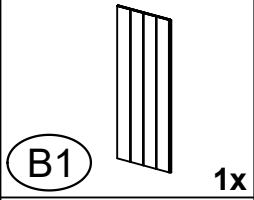
After installation here,  
the top is uneven



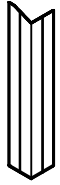
B1



<12>



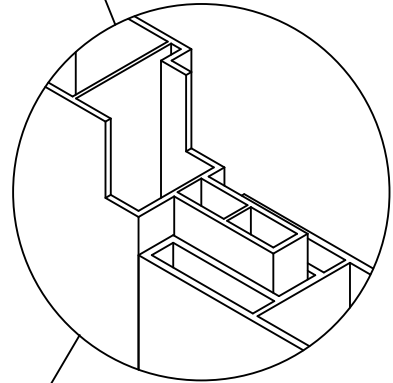
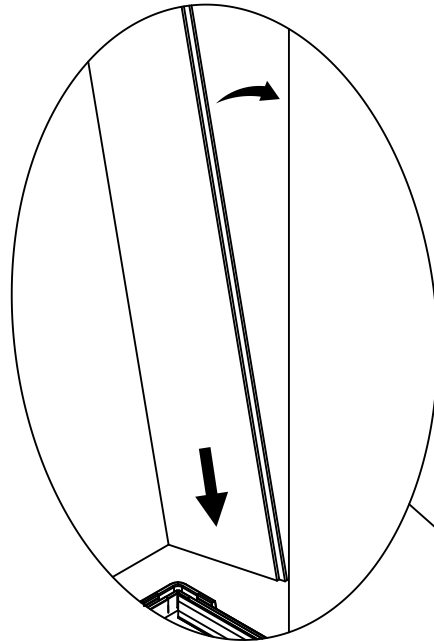
(B4L)



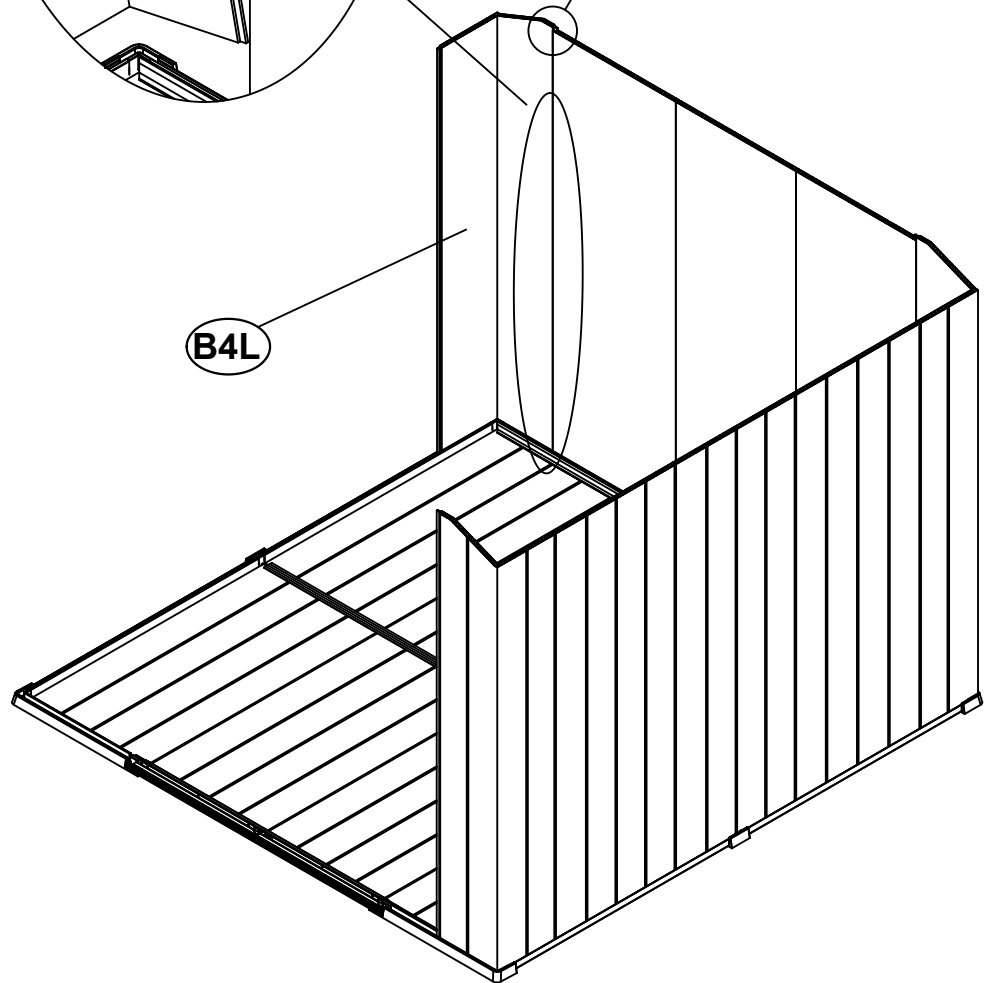
1x

<13>

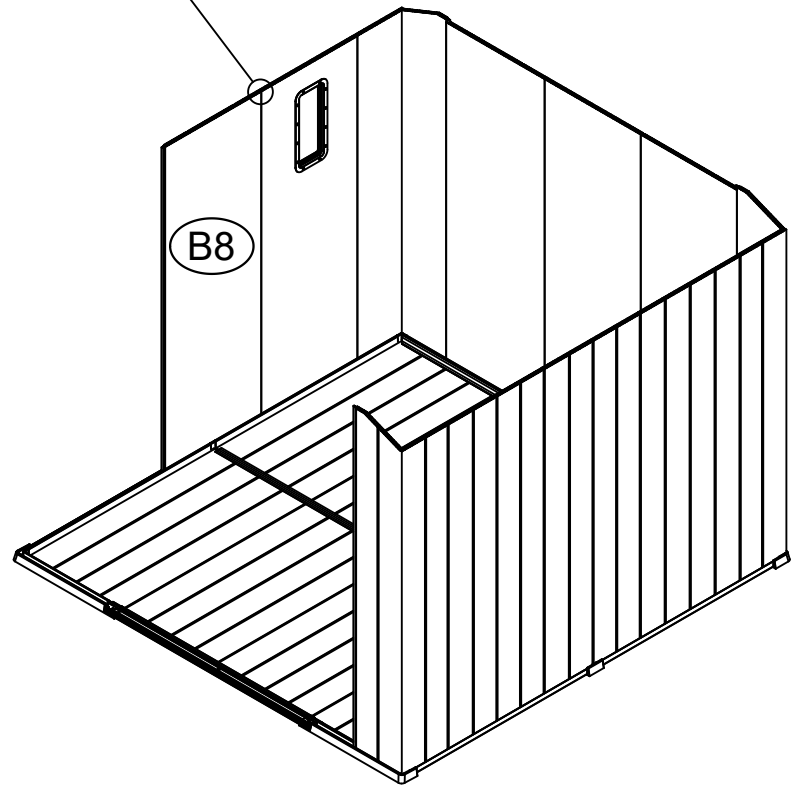
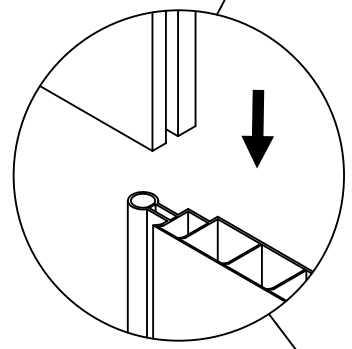
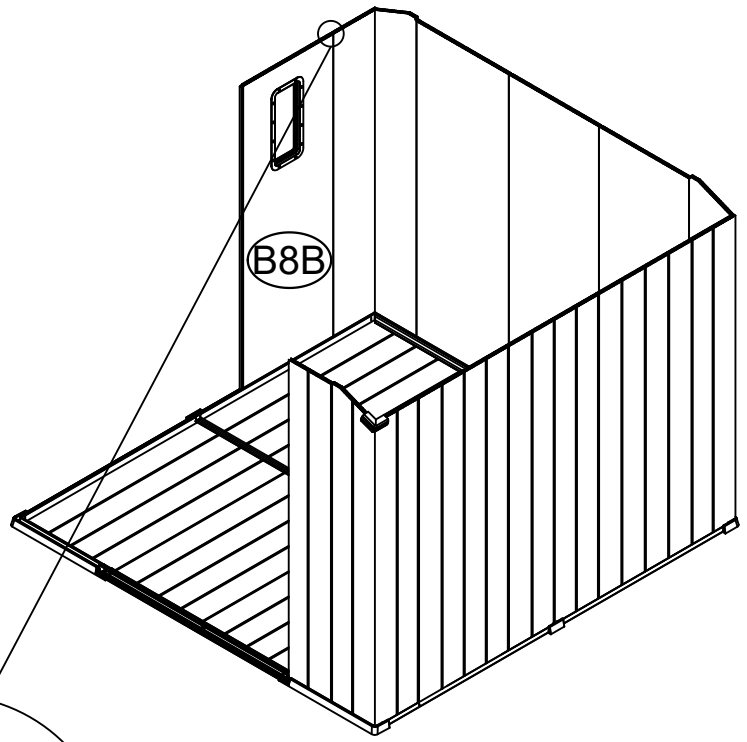
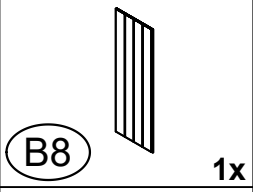
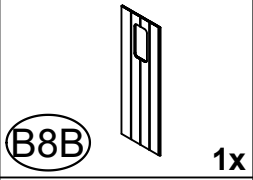
After installation here,  
the top is uneven



(B4L)



<14>



<15>

(B7B)



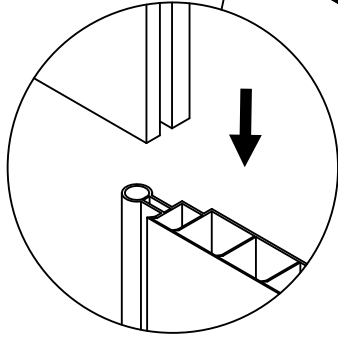
1x

(B4R)

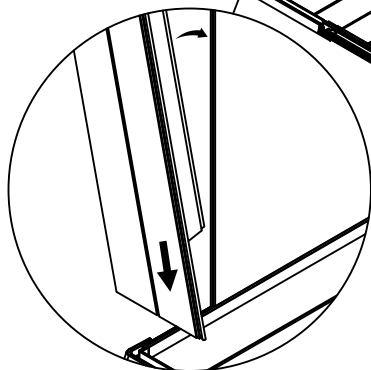


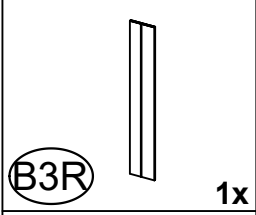
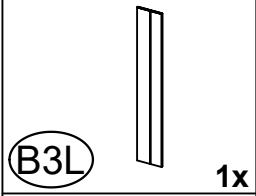
1x

(B7B)



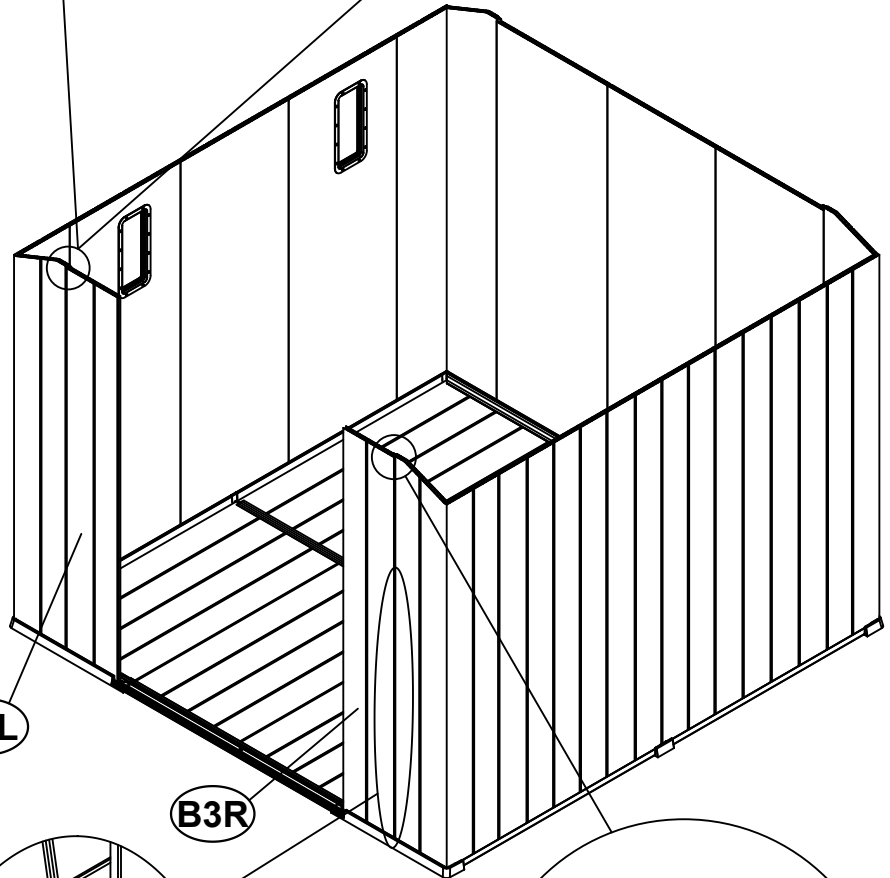
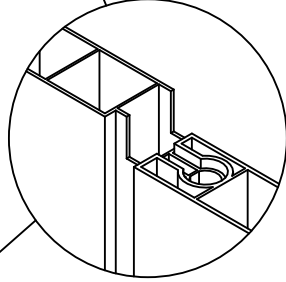
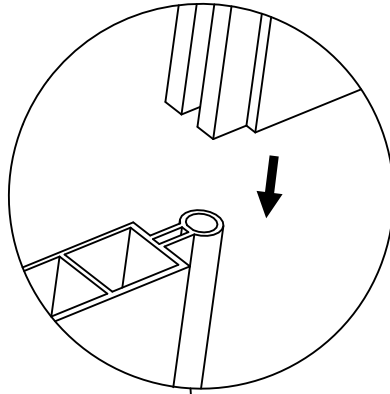
(B4R)





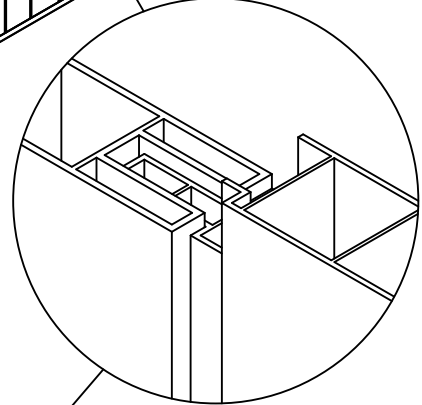
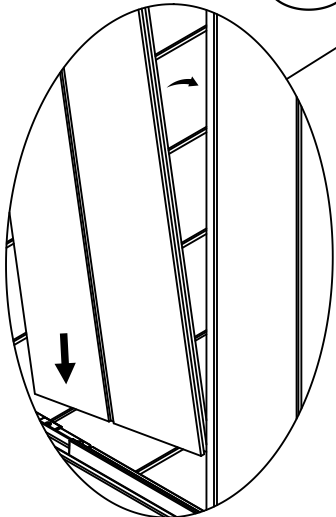
<16>

After installation here,  
the top is uneven

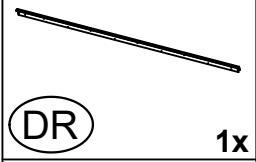


(B3L)

(B3R)

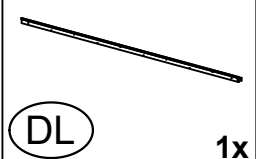


After installation here,  
the top is uneven



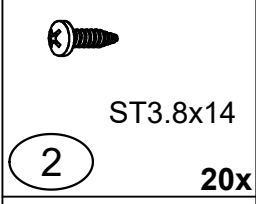
(DR)

1x



(DL)

1x



(2)

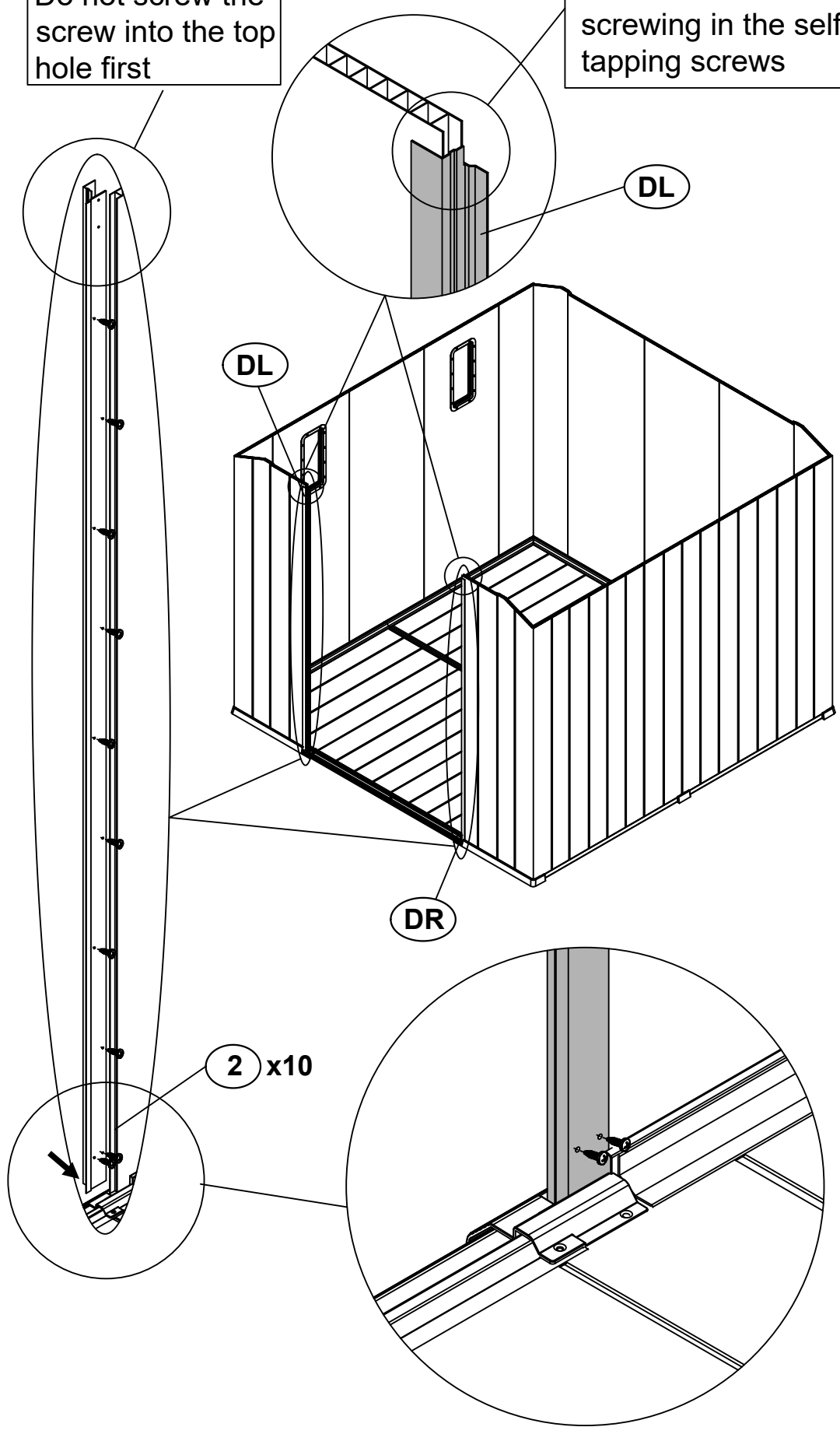
ST3.8x14

20x


### <18>

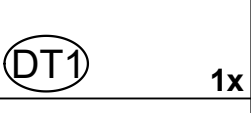
Do not screw the screw into the top hole first


Ensure proper installation before screwing in the self tapping screws

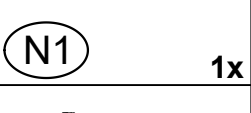



<19>

- 

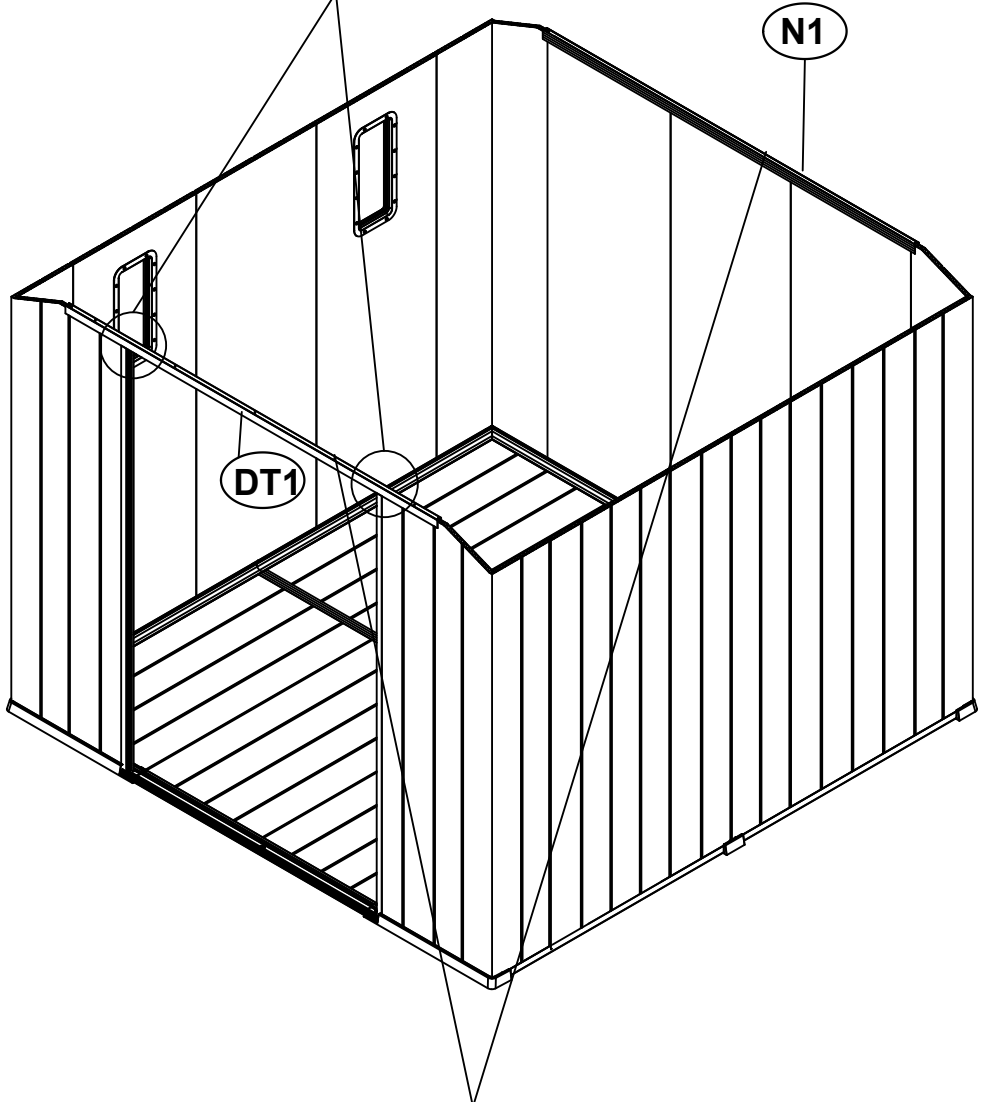
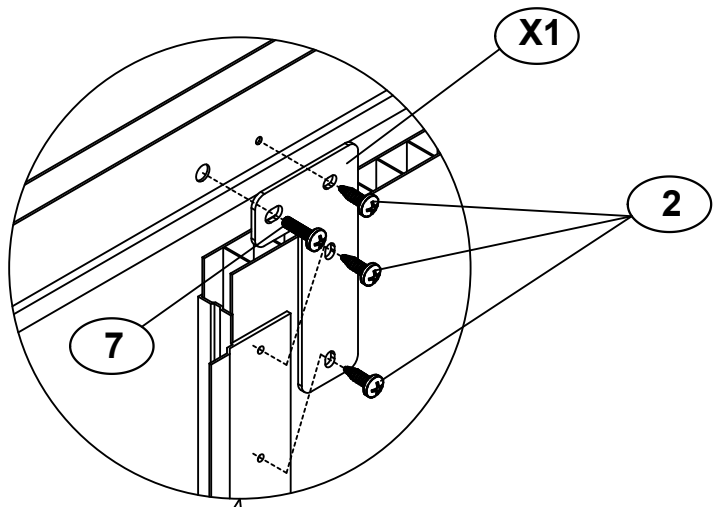
(DT1) 1x
- 

(N1) 1x
- 

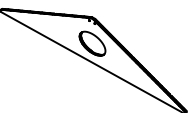
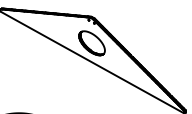




ST3.8x14  
(2) 6x
- 

M6x15  
(7) 2x
- 

(X1) 2x

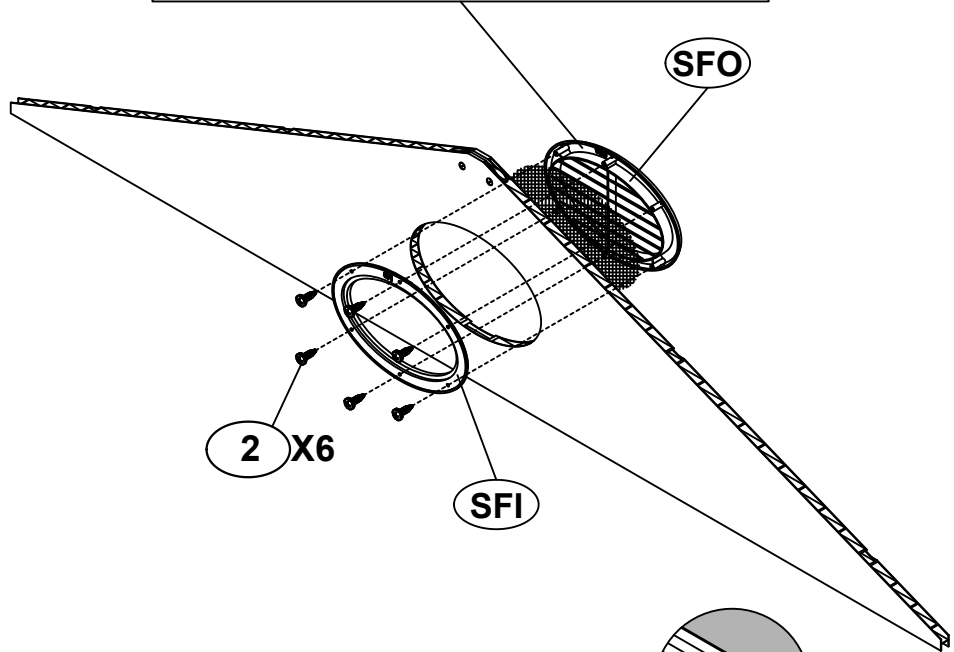


#DT1# and #N1# should be placed in the center as much as possible

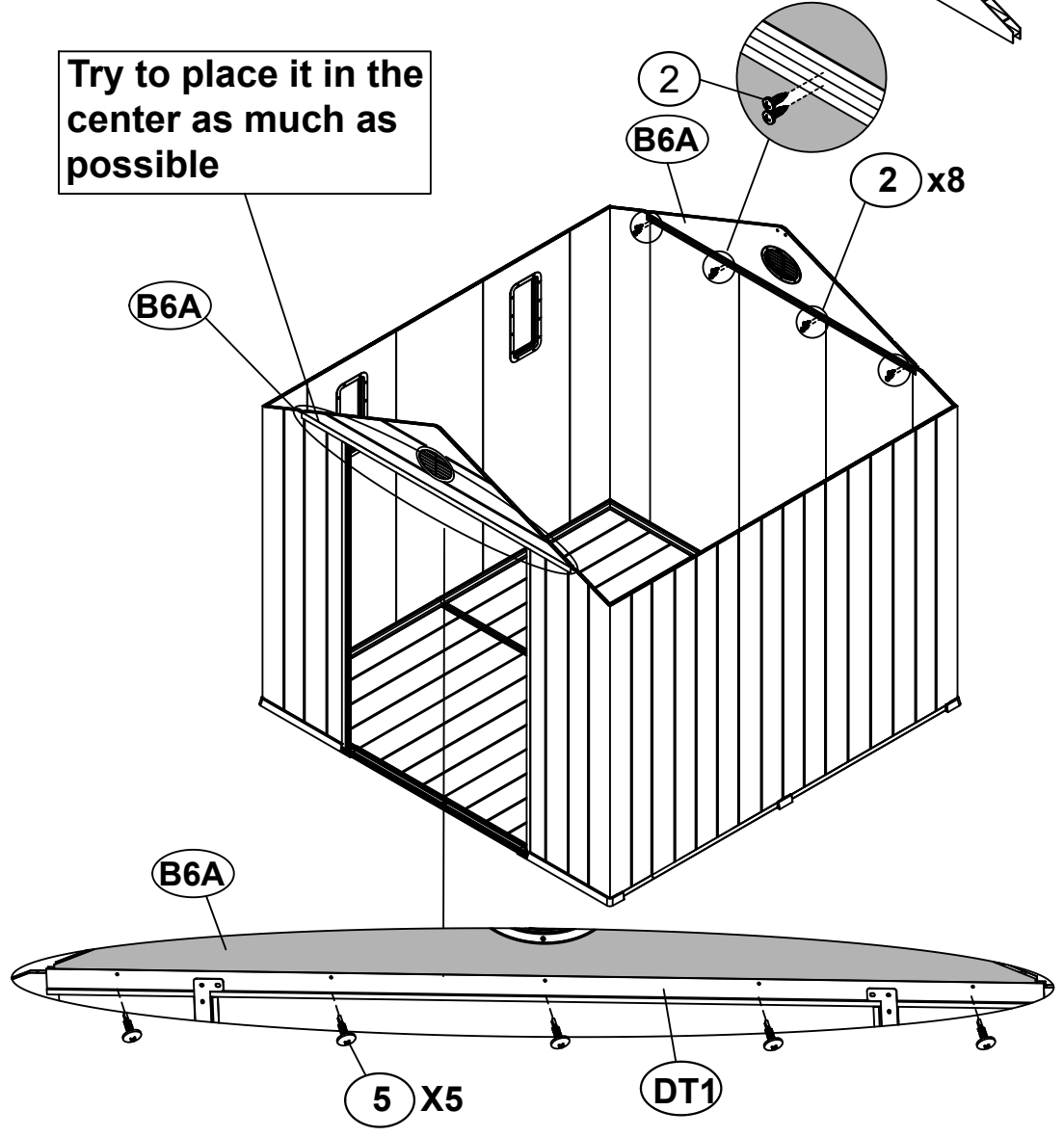
-  (B6A) 1x
-  (B6A) 1x
-  (SFI) 2x
-  (SFO) 2x
-  (2) ST3.8x14 20x
-  (5) ST4.2x16 5x

<20>

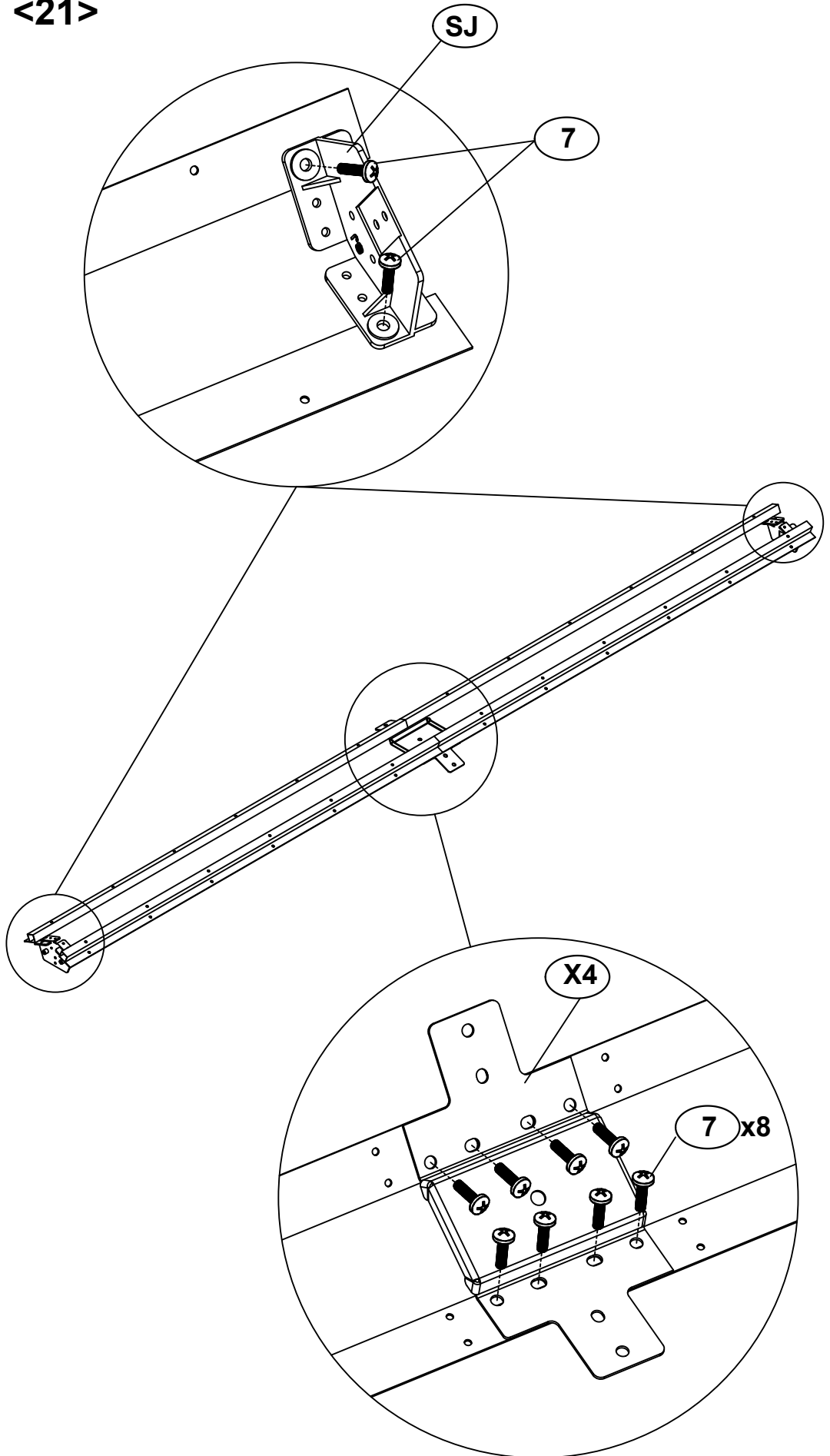
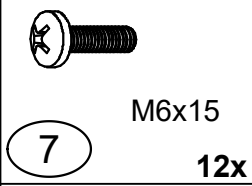
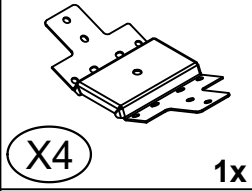
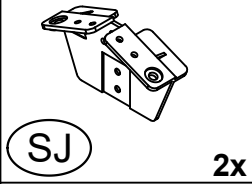
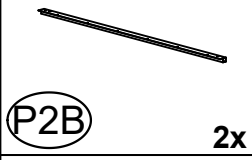
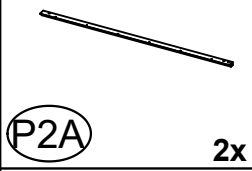
Pay attention to the direction of ventilation window, The wrong installation will cause water in the house.



Try to place it in the center as much as possible



<21>



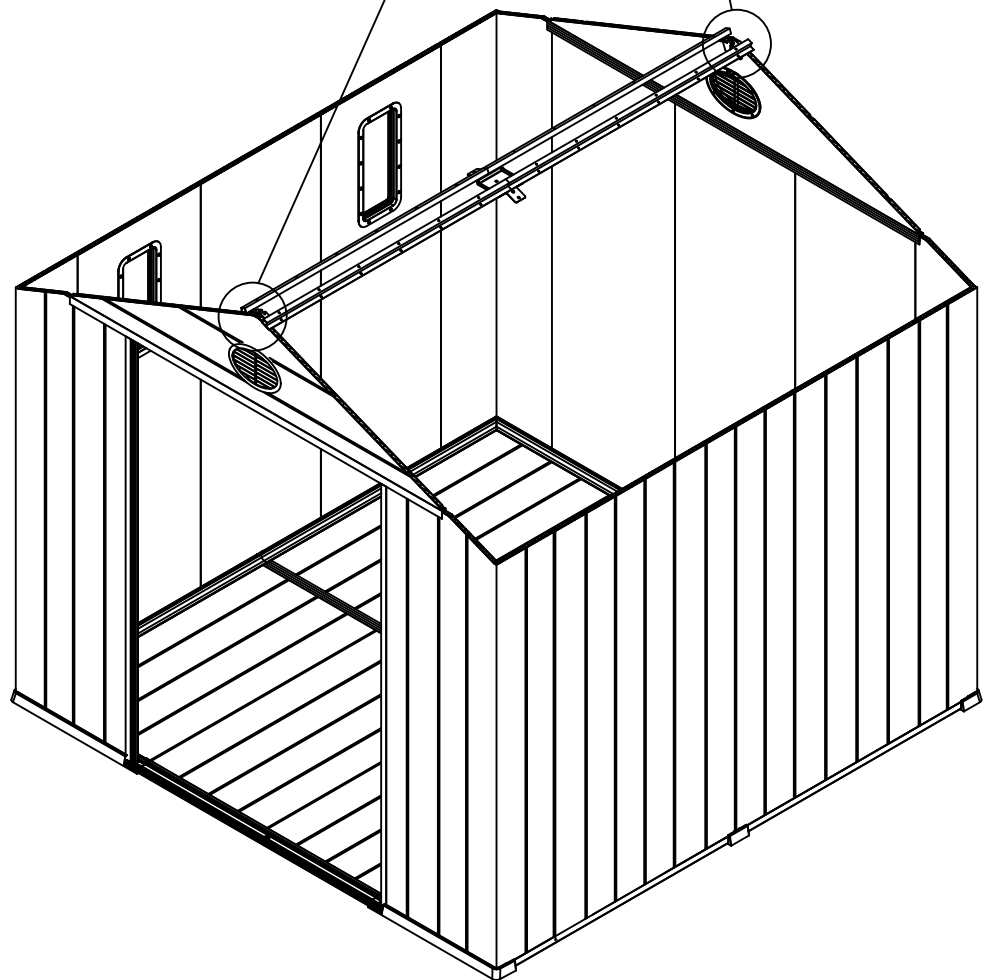
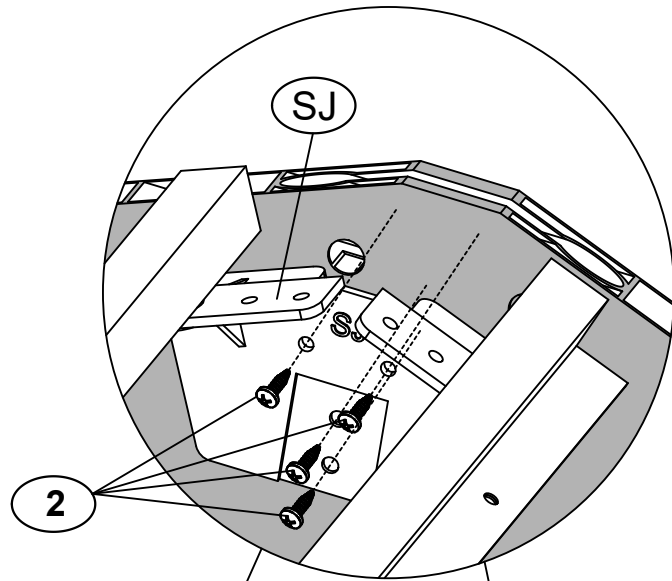


ST3.8x14





2

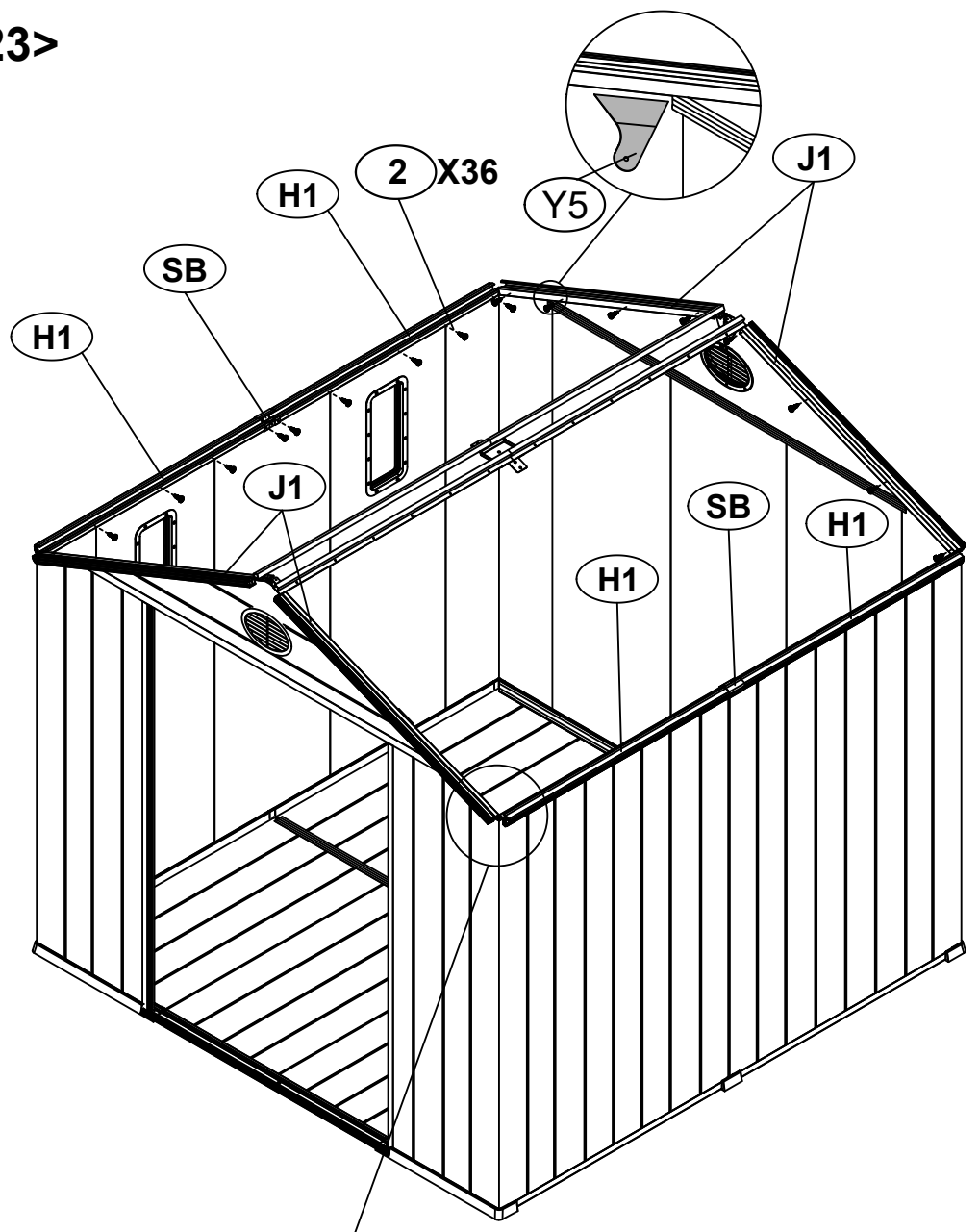
8x

<22>

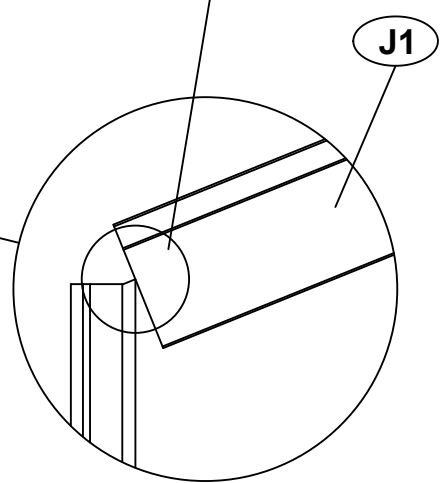
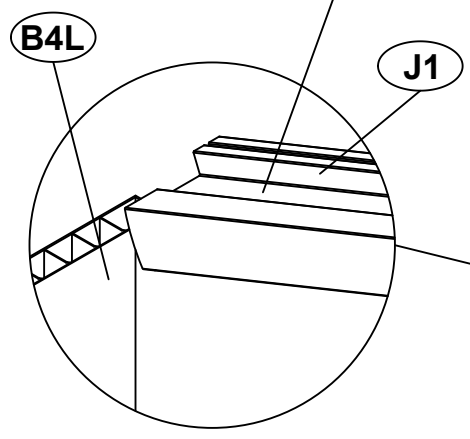


<23>

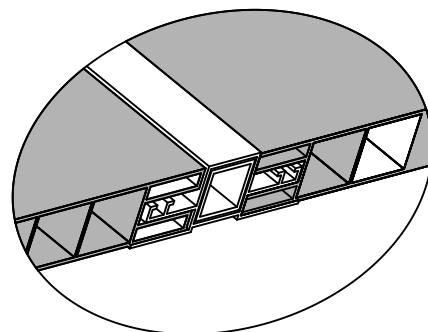
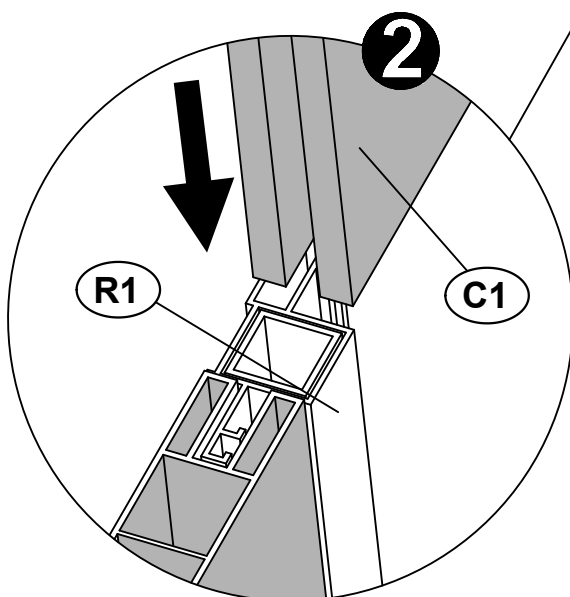
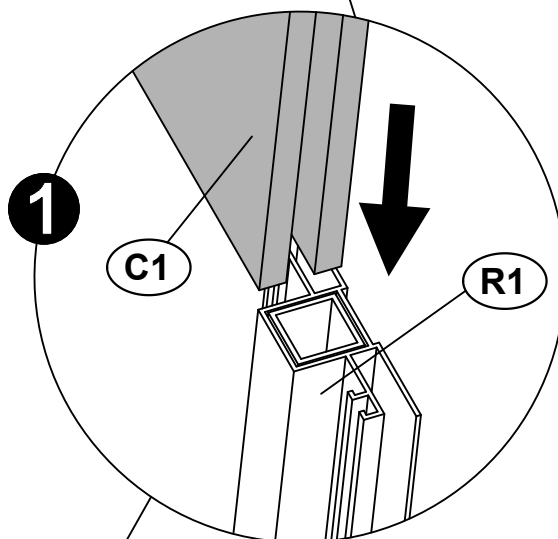
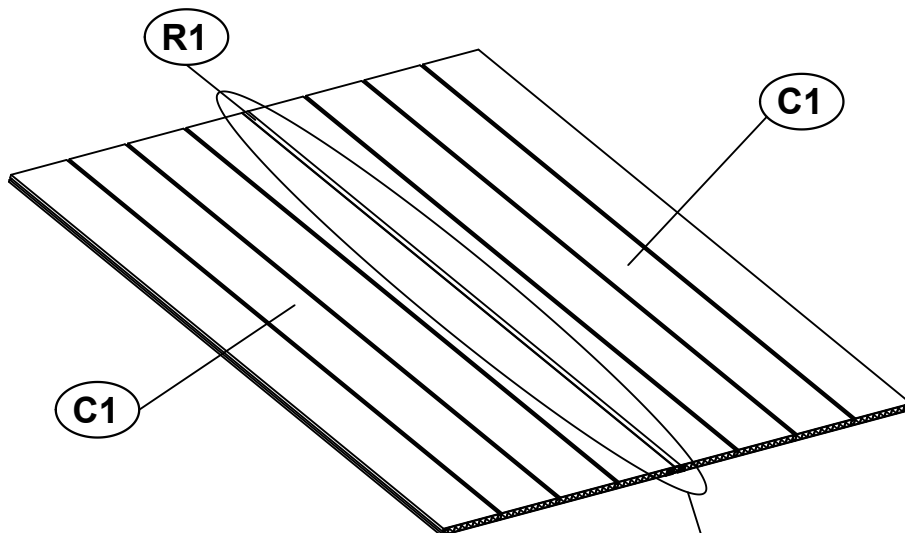
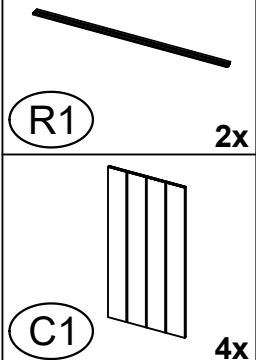
-   
(H1) 4x
-   
(J1) 4x
-   
(SB) 4x
-   
ST3.8x14  
(2) 36x



#J1# is placed tightly against the bottom edge



<24>



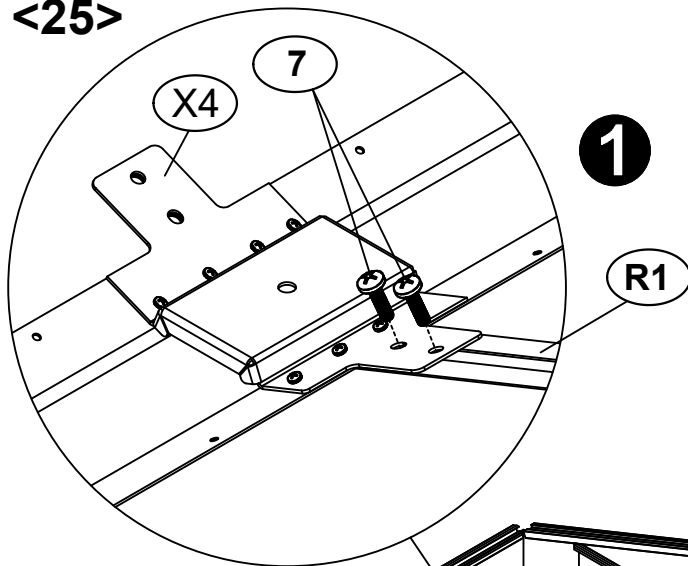


M6x15

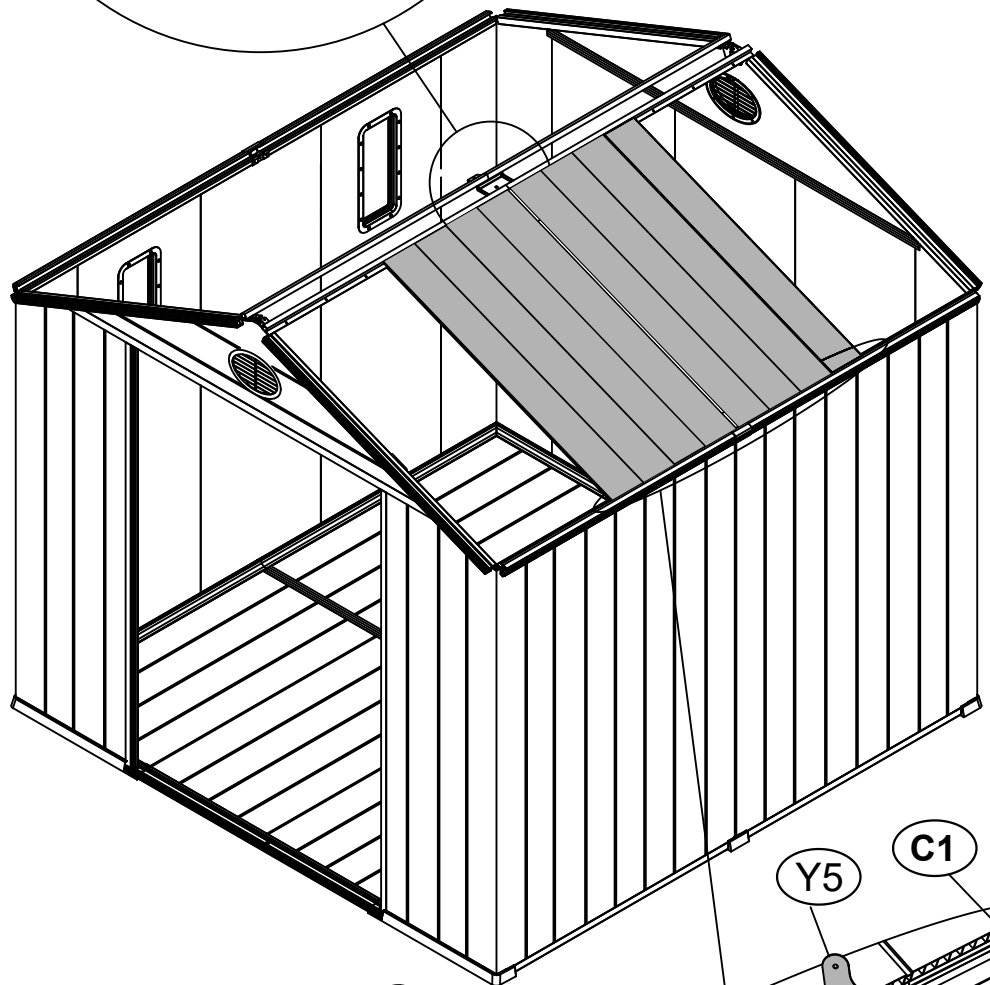
7

2x

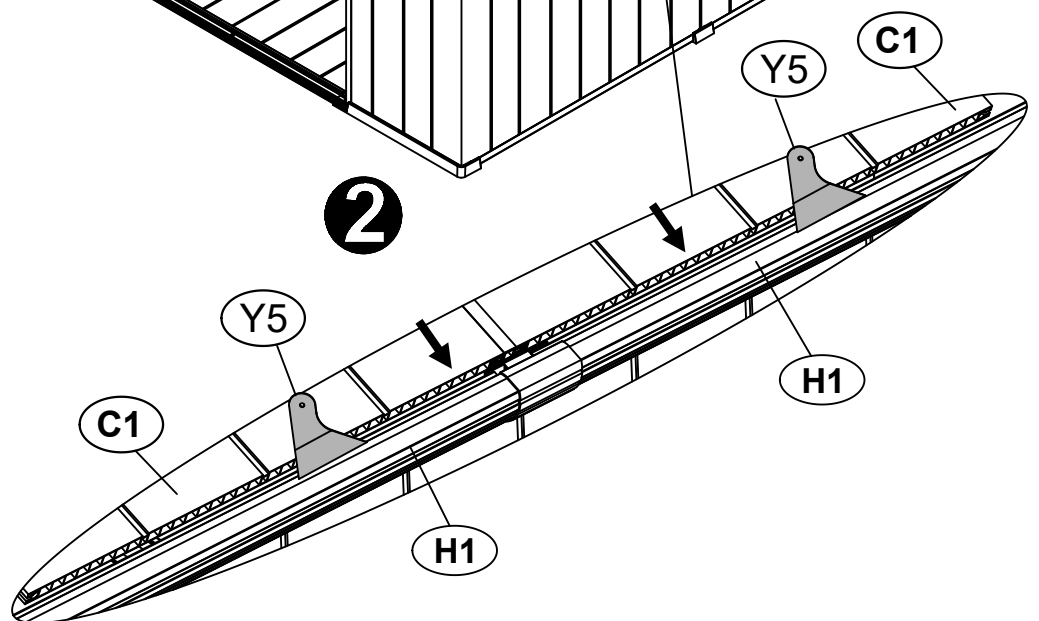
<25>



1



2



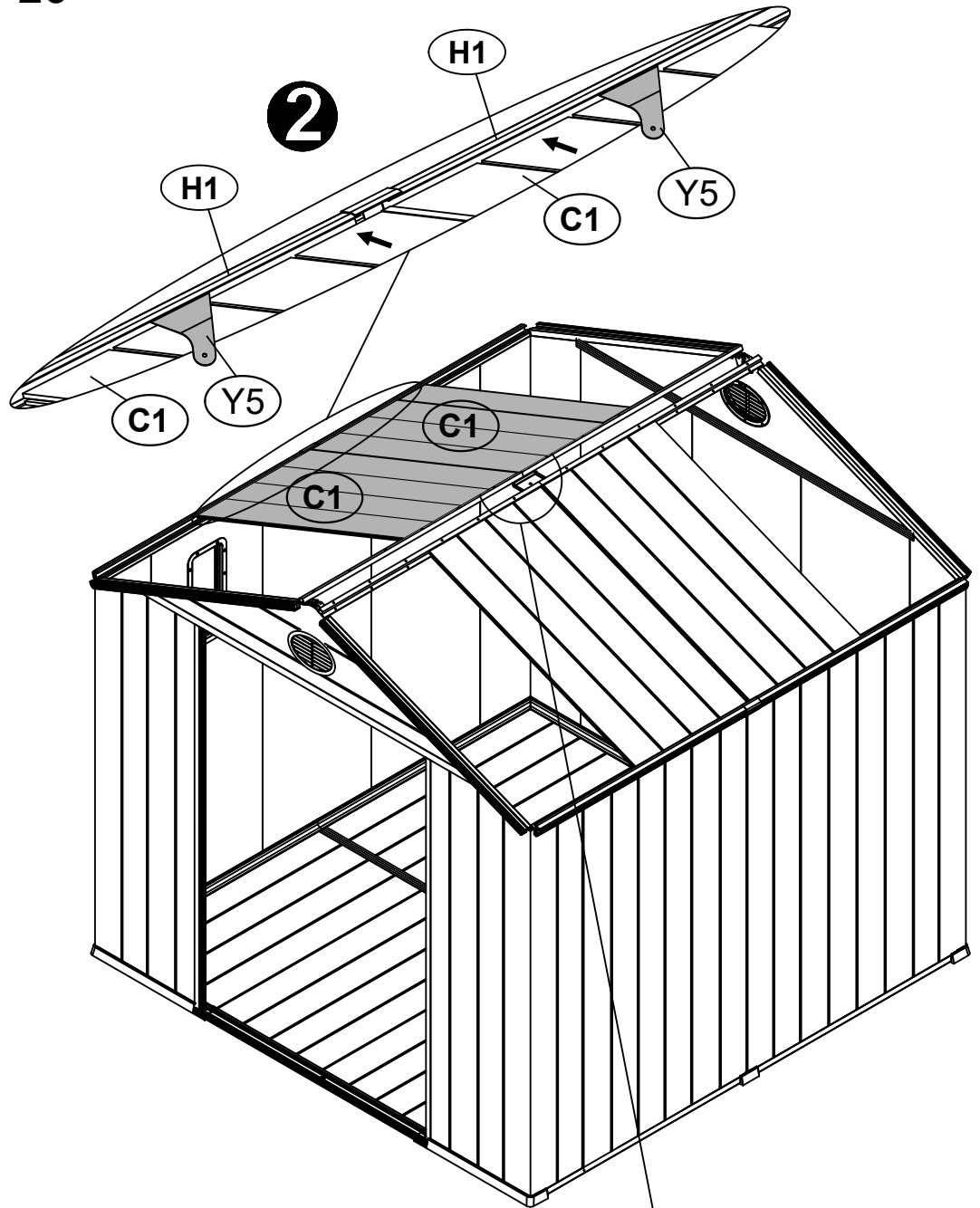


M6x15

7

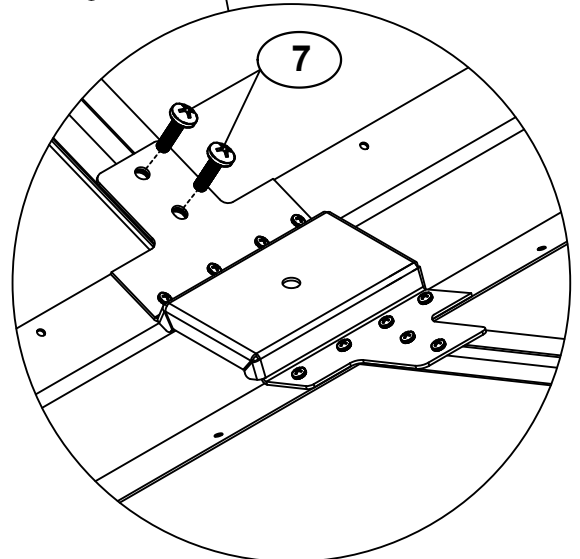
2x

<26>

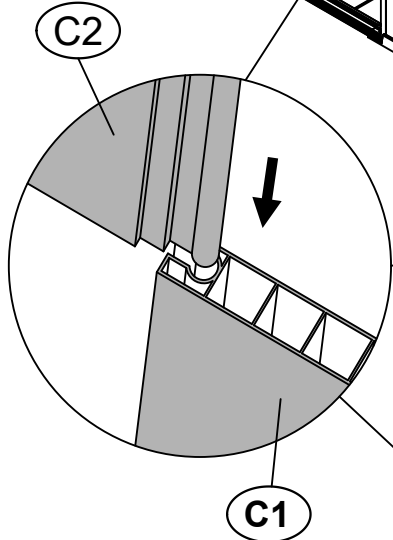
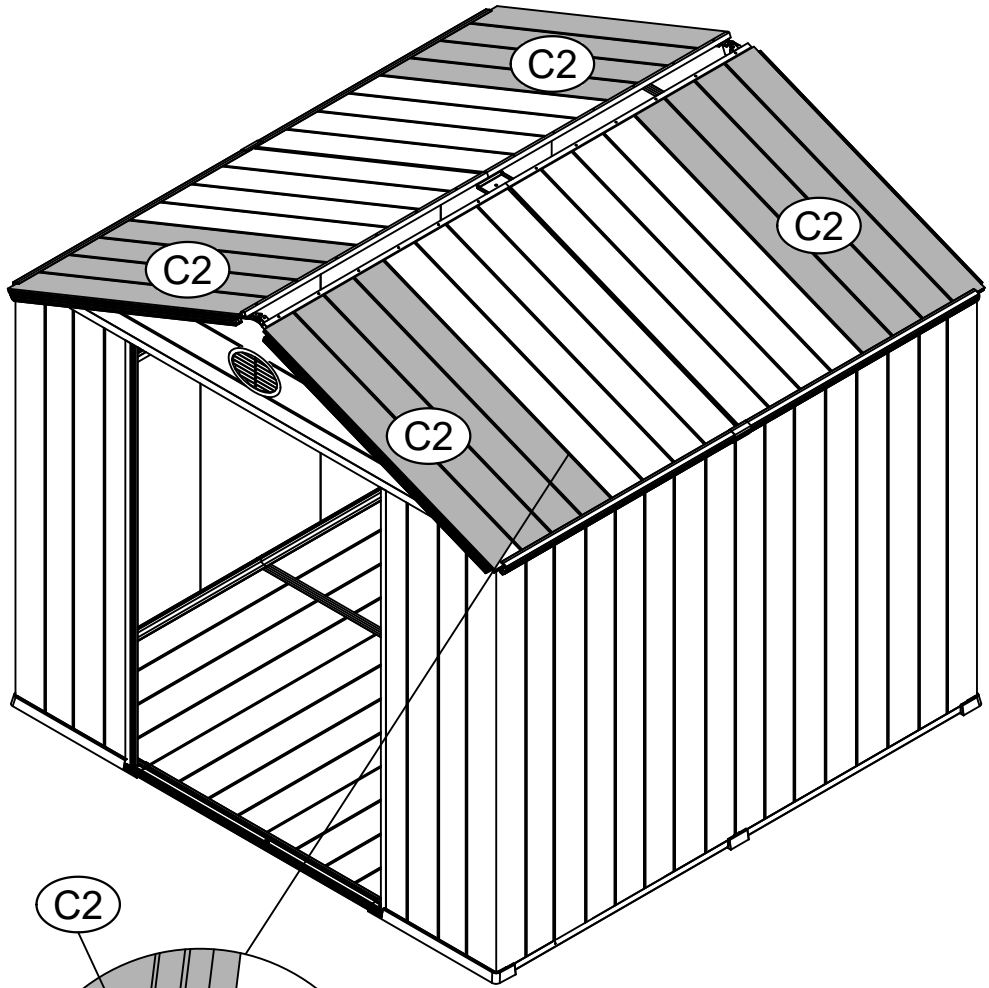
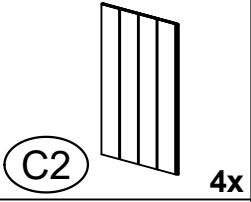


1

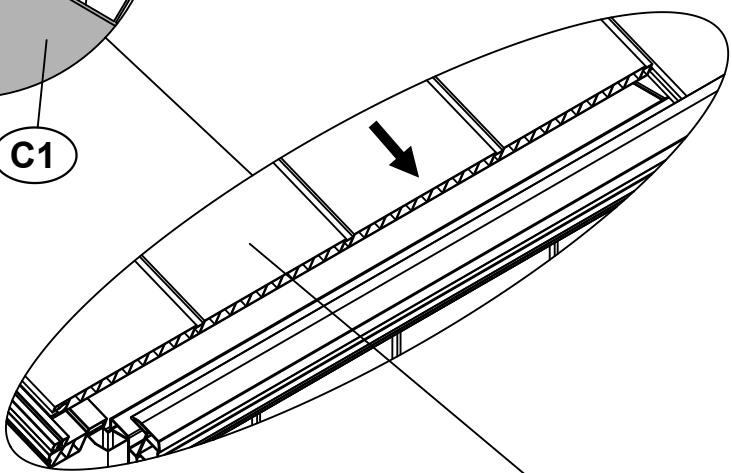
After installation, ensure that #R1# is centered on #SB# before proceeding to the next step



<27>



Lift the edge of #C1# first and then connect to #C2#

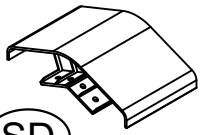


Note that the top plate needs to be installed in place



Q2

2x



SD

1x

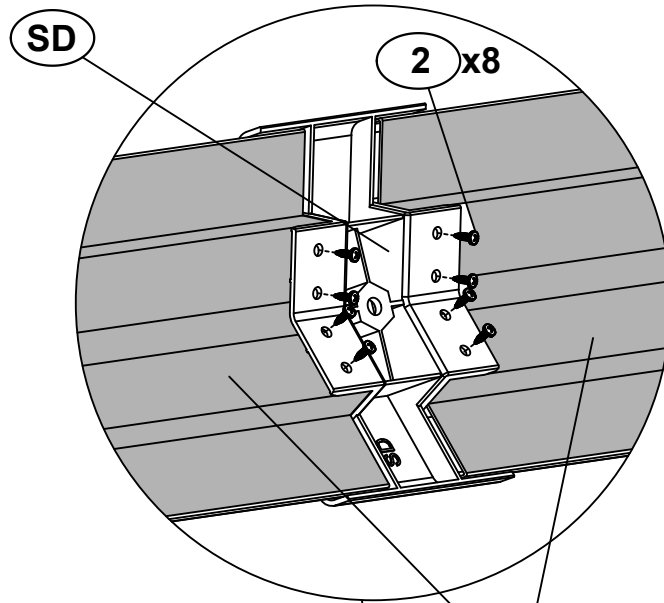


ST3.8x14

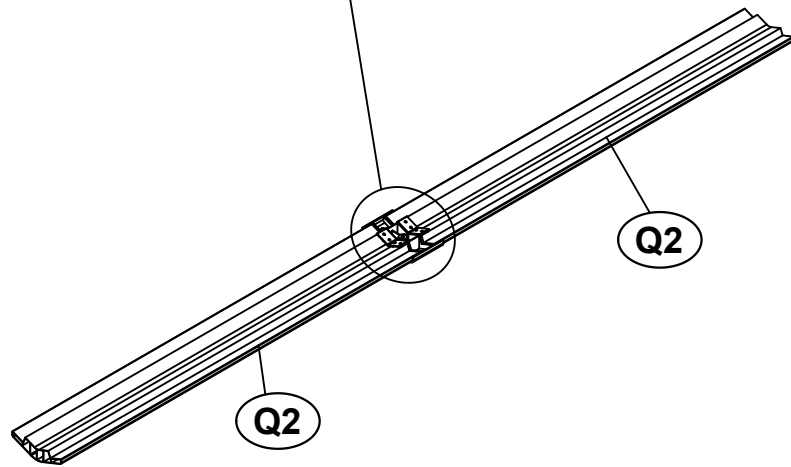
2

8x

<28>



Q2



Q2

Q2



ST3.8x14

2

32x



M8x45

10

1x



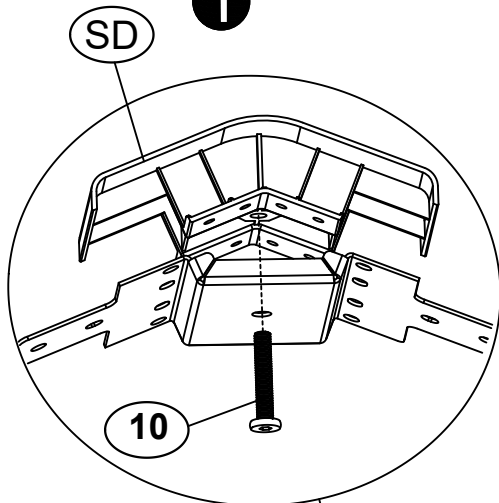
ST4.8x32

4

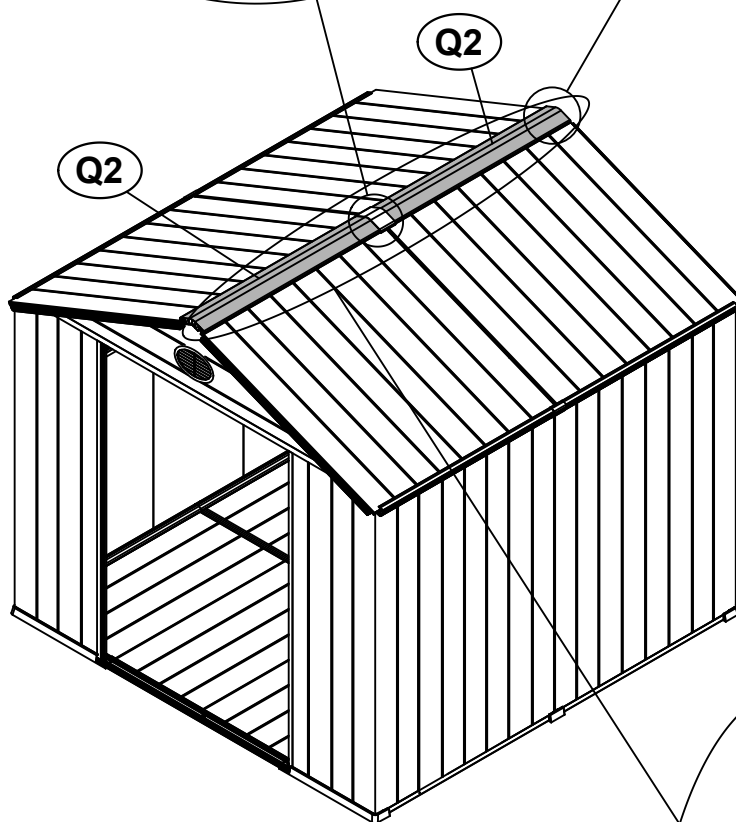
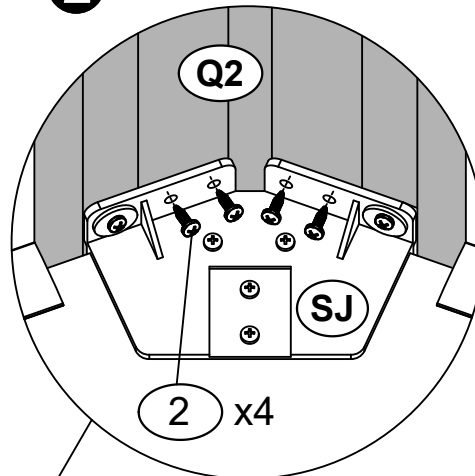
24x

<29>

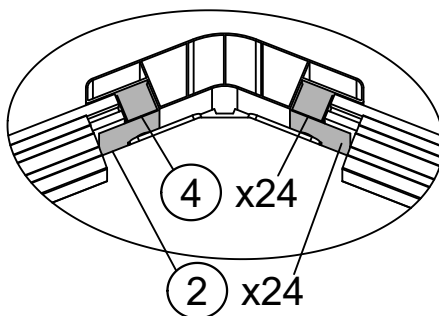
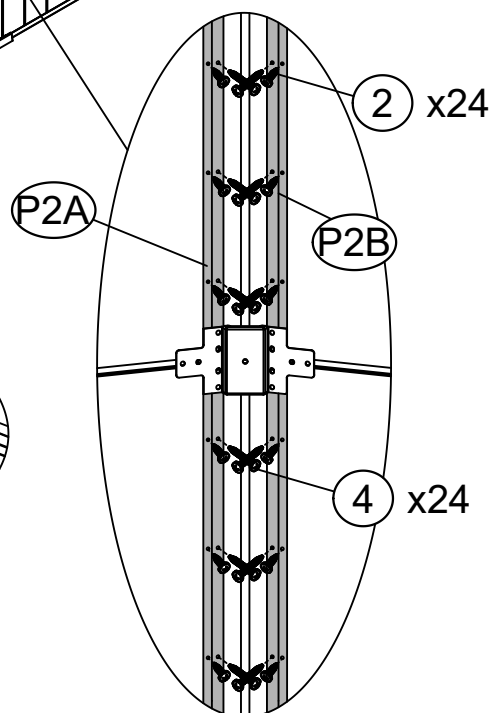
1



2



3





K1

4x

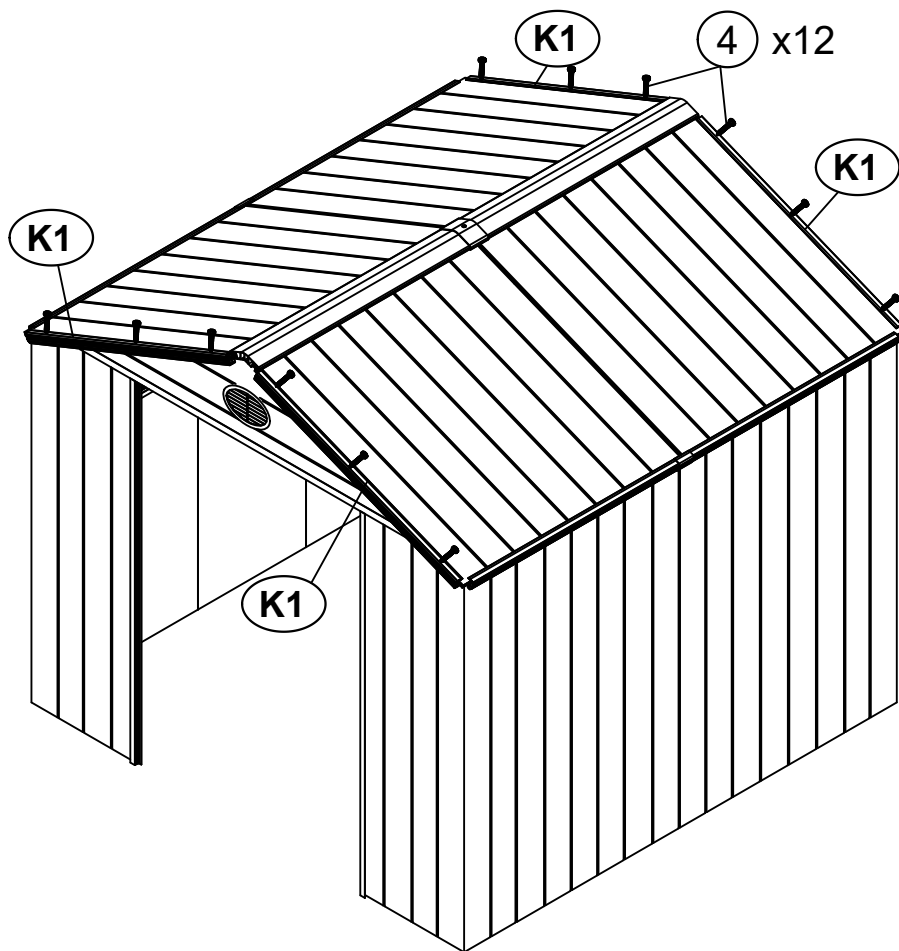
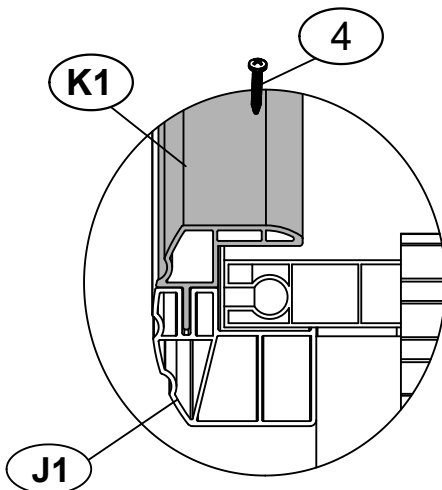


ST4.8x32

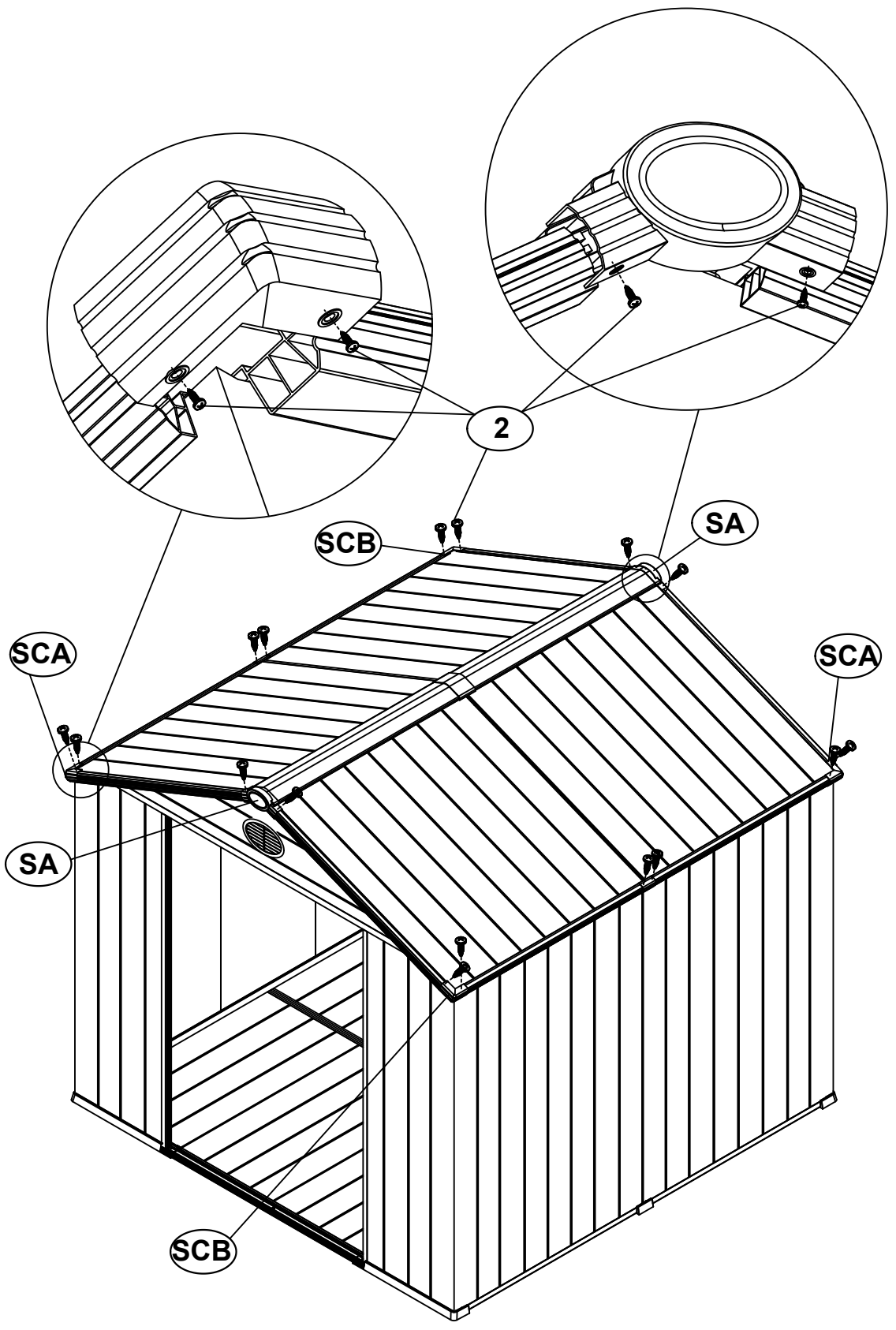
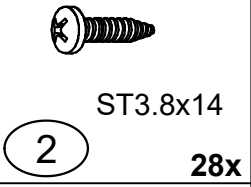
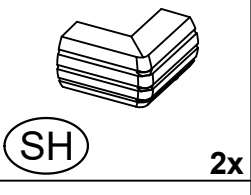
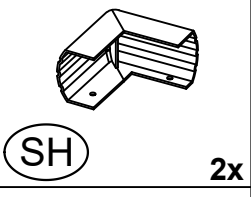
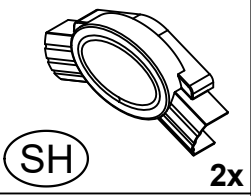
4

12x

<30>


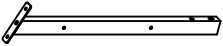

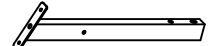



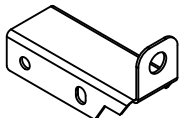


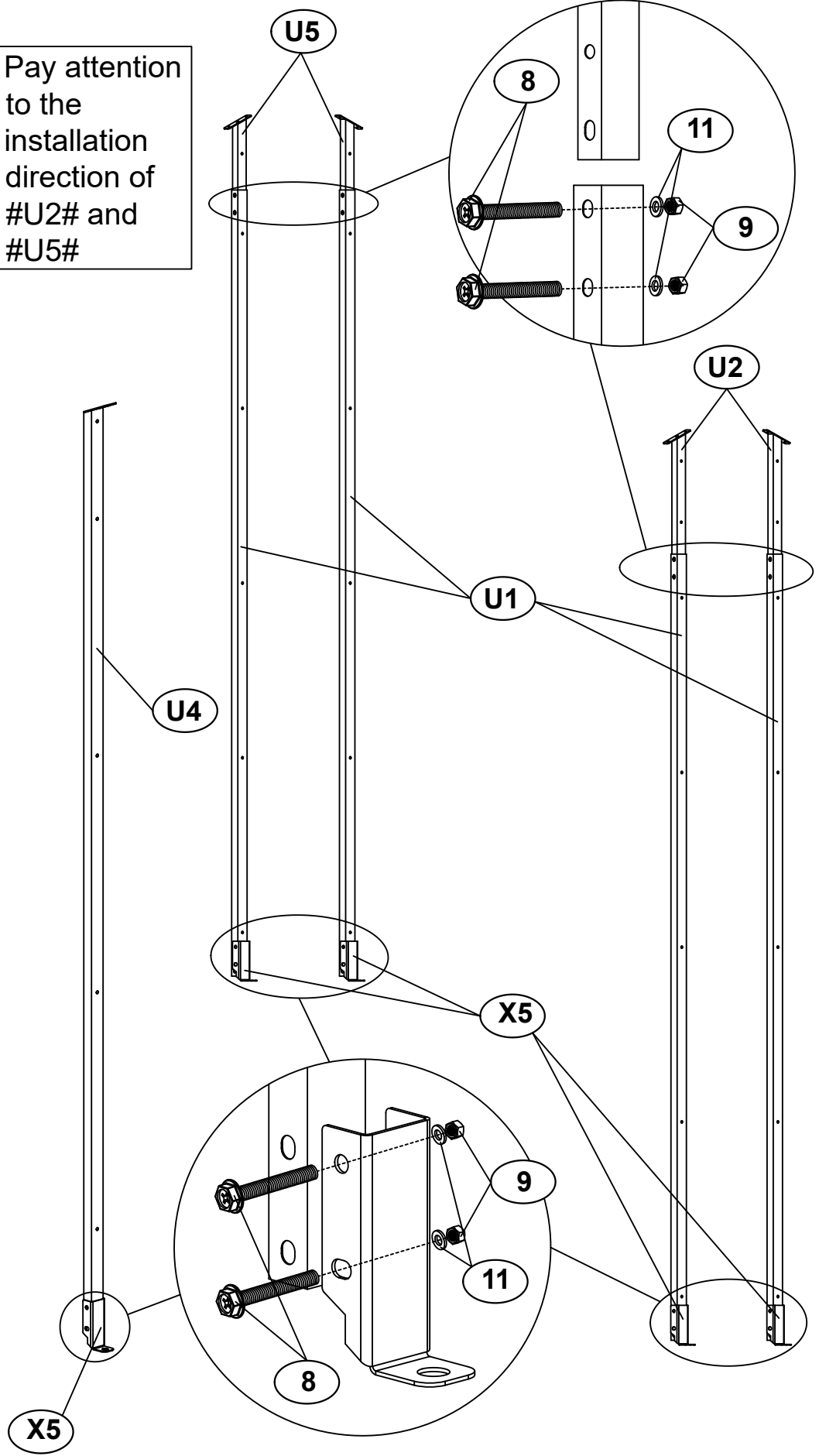
<31>



**<32>**

Pay attention to the installation direction of #U2# and #U5#

-  **U1** 4x
-  **U2** 2x
-  **U4** 2x
-  **U5** 2x
-  **8** M6x40 20x
-  **9** M6 20x
-  **11** M6 20x
-  **X5** 6x

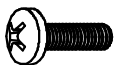




ST4.8x32

4

10x

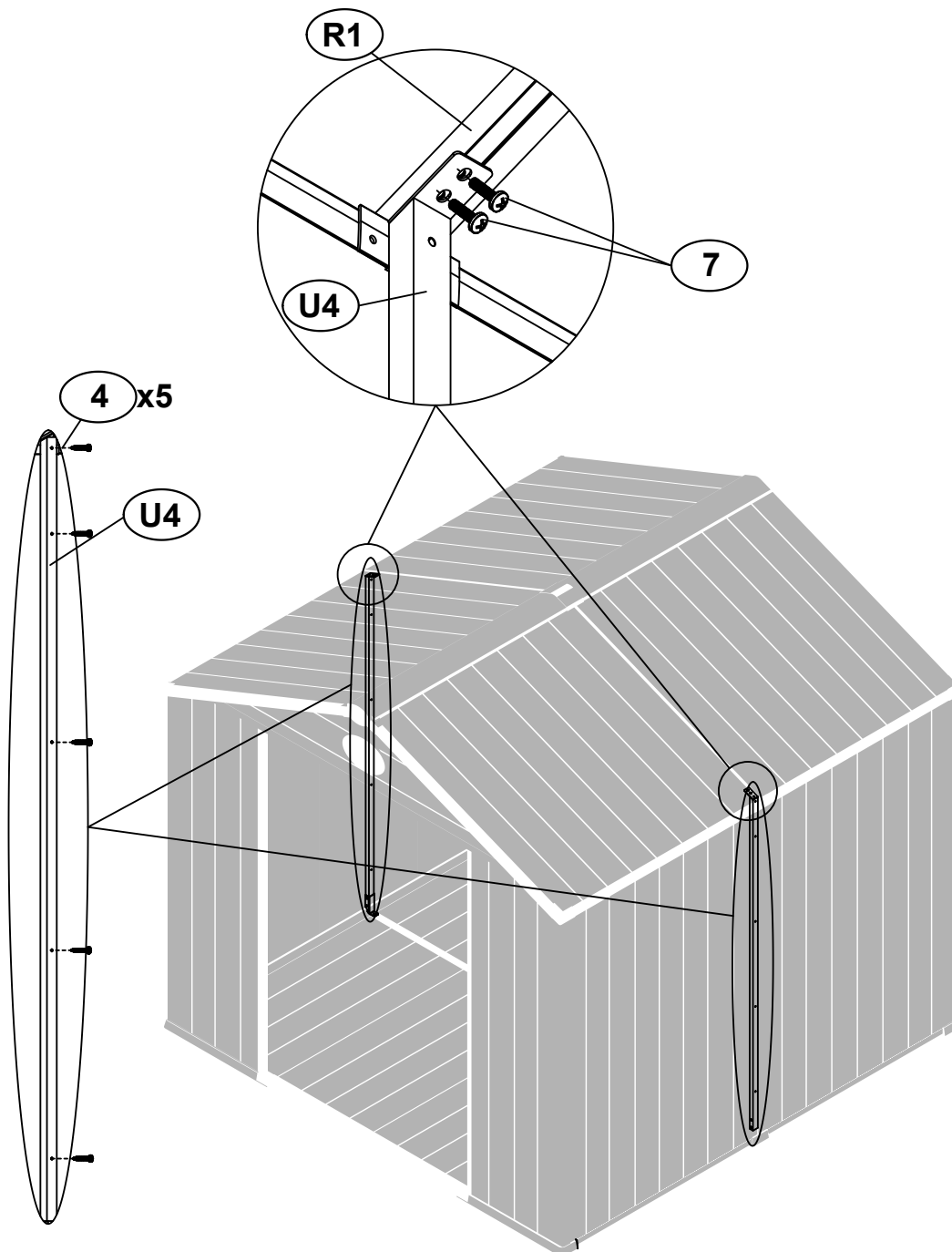


M6x15

7

4x

<33>





ST3.8x14

2

4x

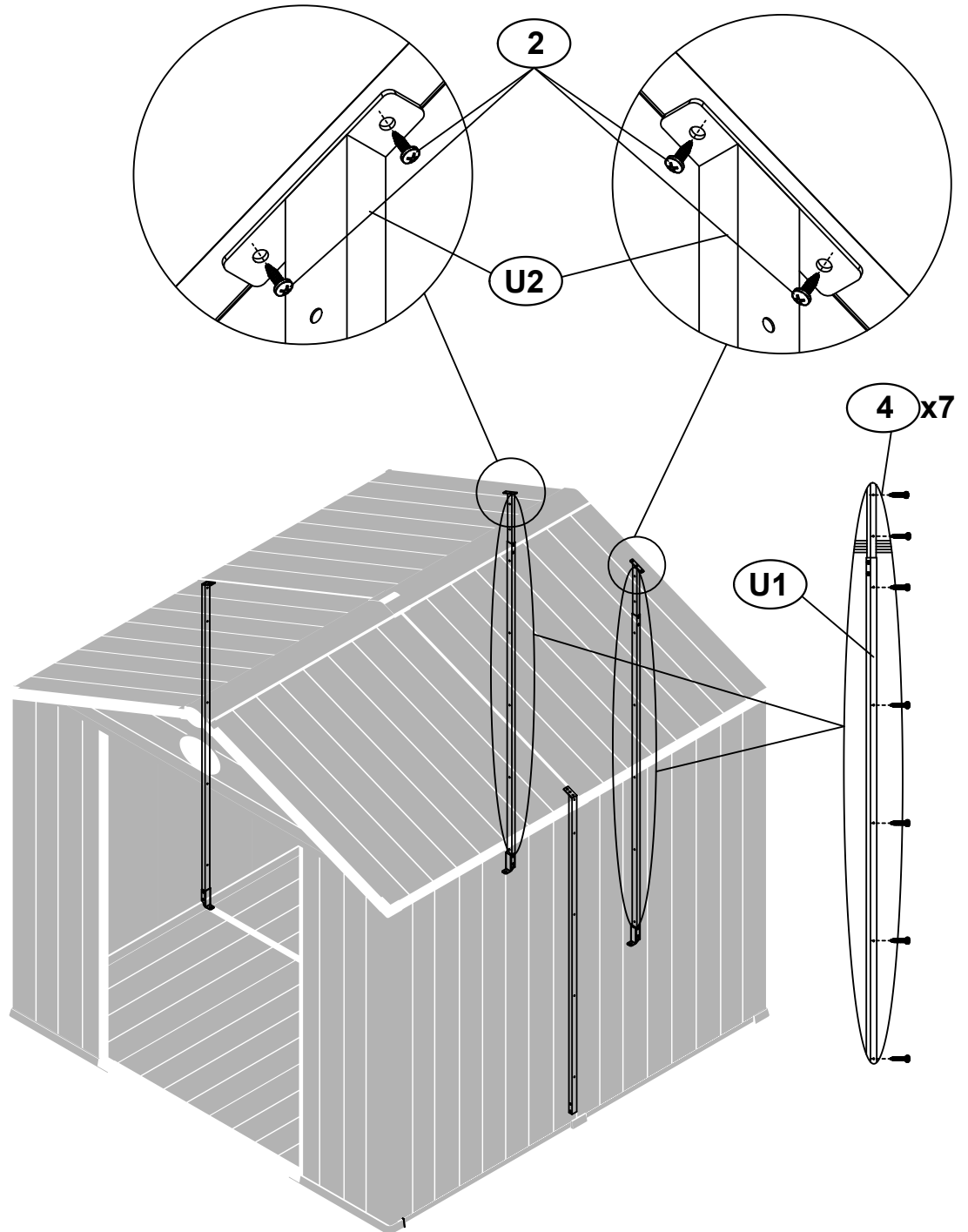


ST4.8x32

4

14x

<34>





ST3.8x14

2

4x

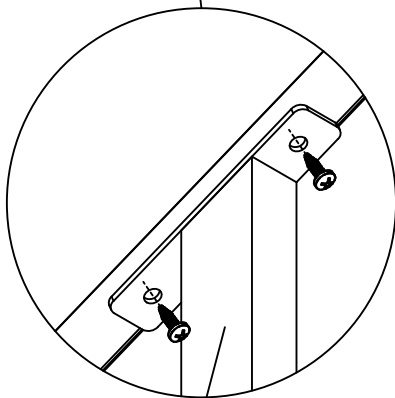
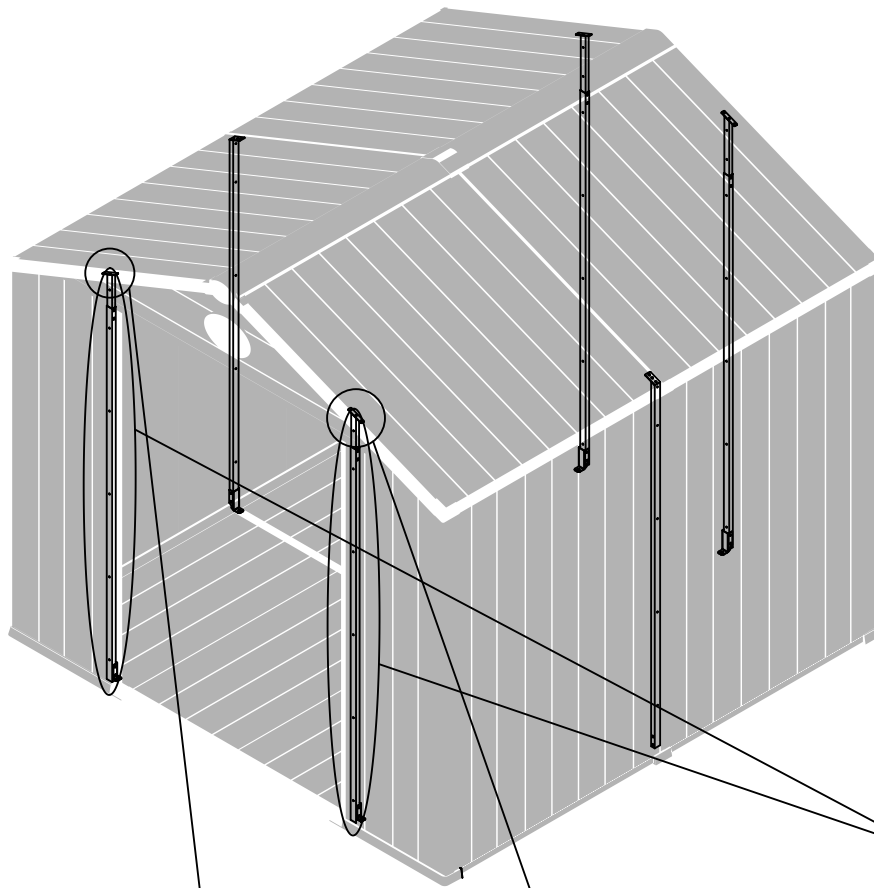


ST4.8x32

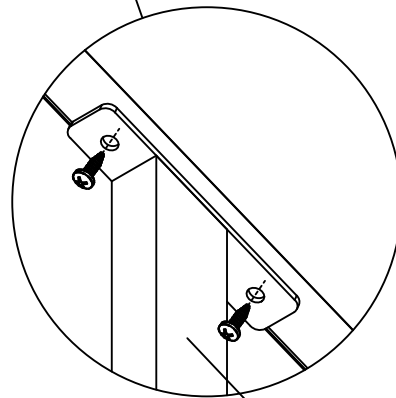
4

12x

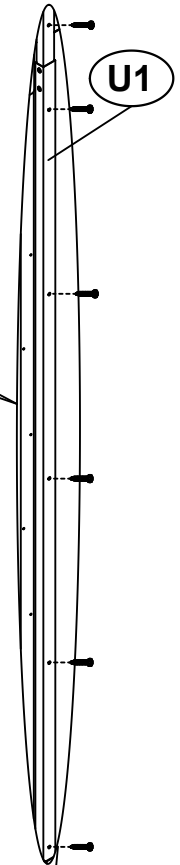
<35>



U5



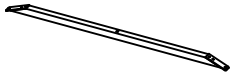
U5



U1

4 x6

<36>



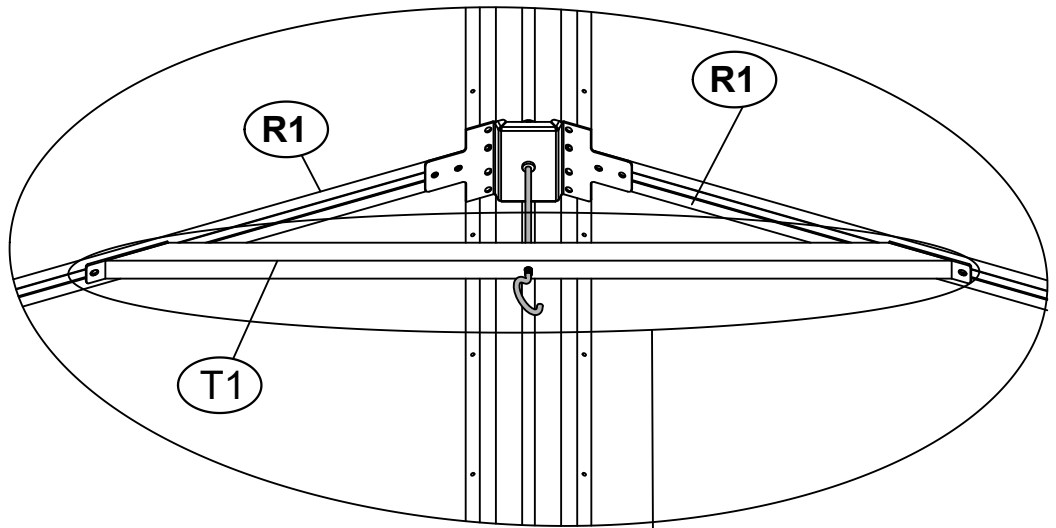
T1 1x



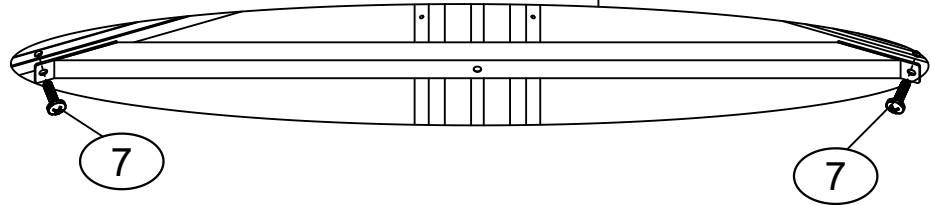
7 M6x15 2x



X6 1x

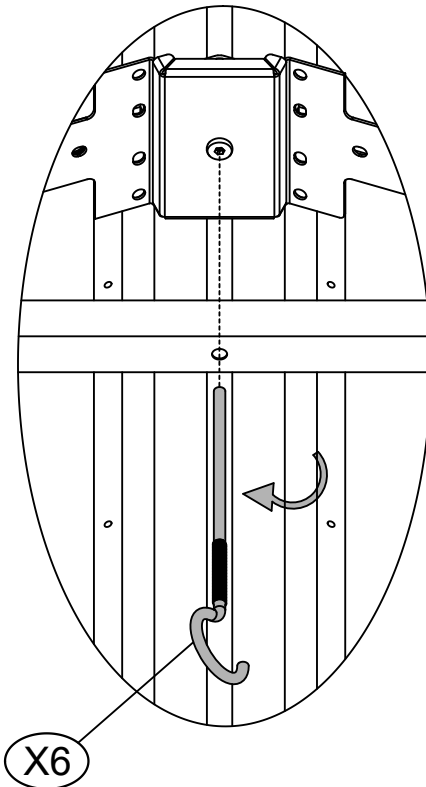


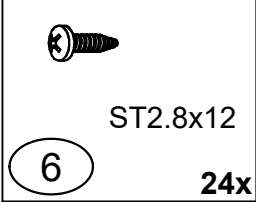
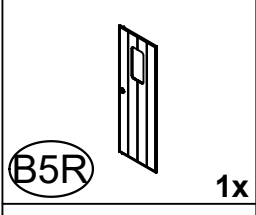
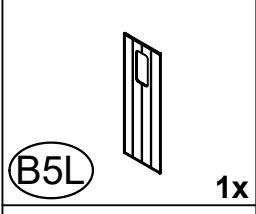
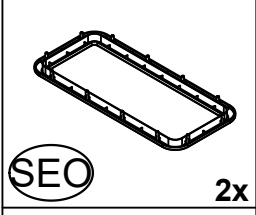
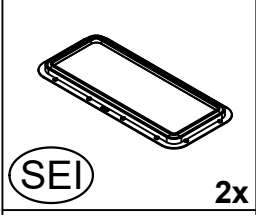
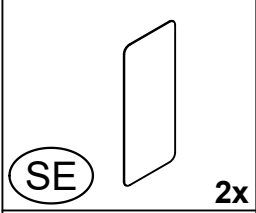
1



During installation, the top should be raised to align #T1# with the hole position

2



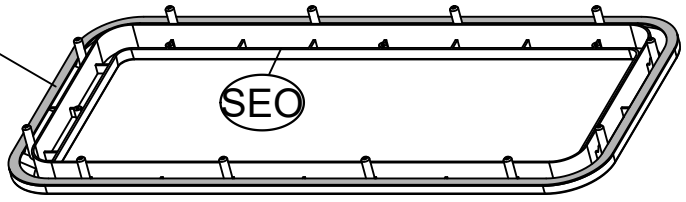


<37>

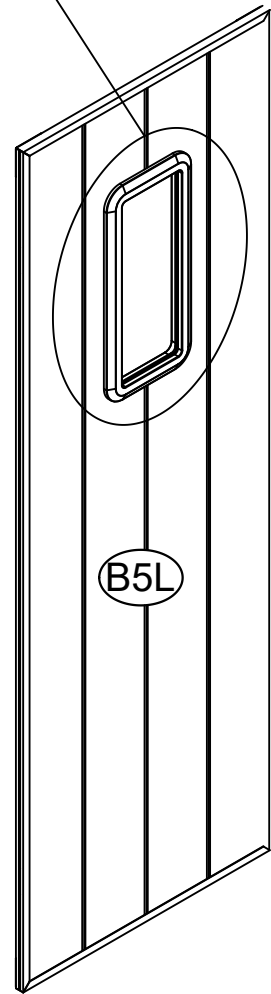
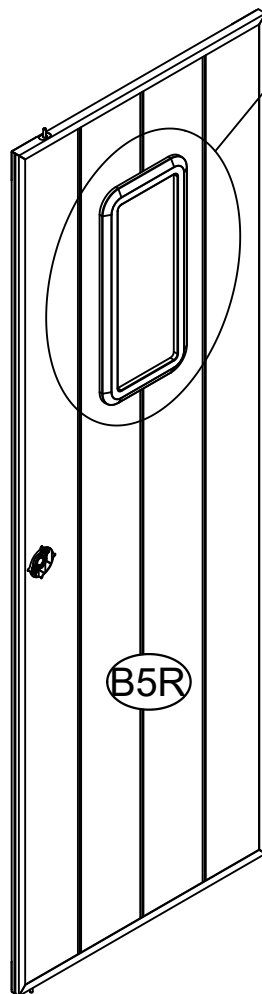
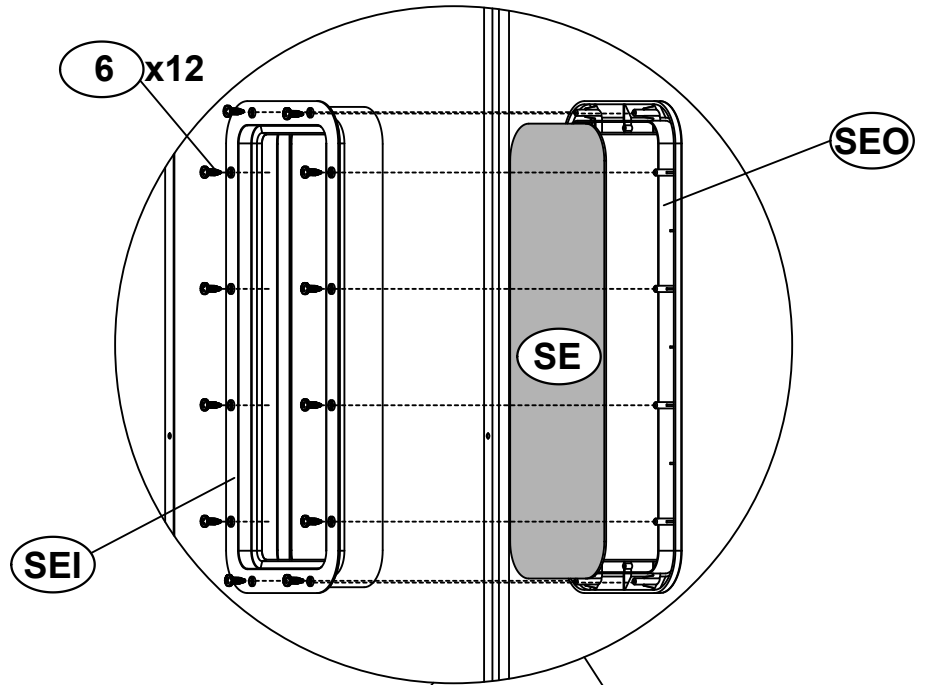
1

rubber  
sealing  
strip

X7



2



<38>

DM

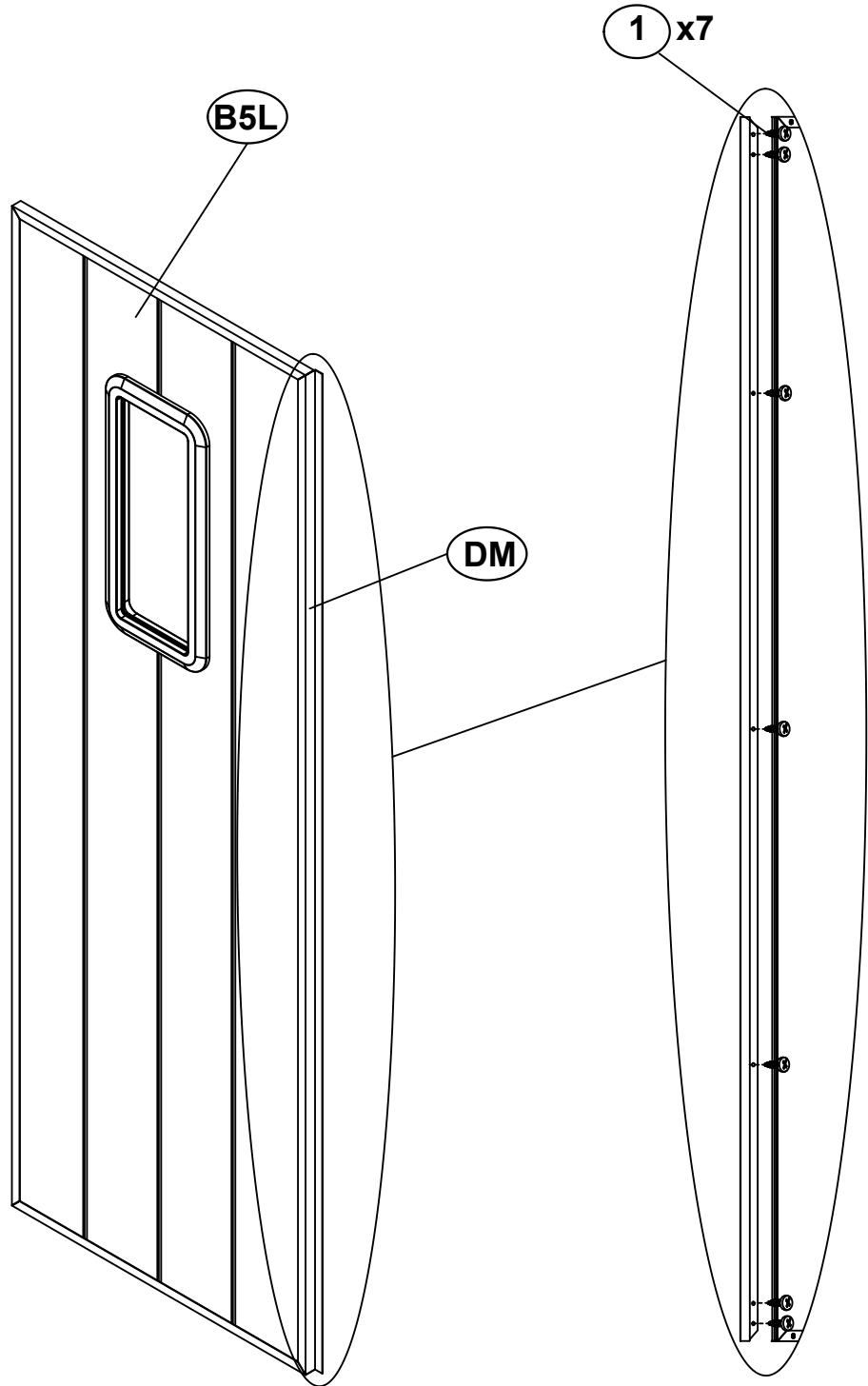
1x



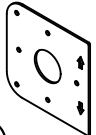


ST3.8x12

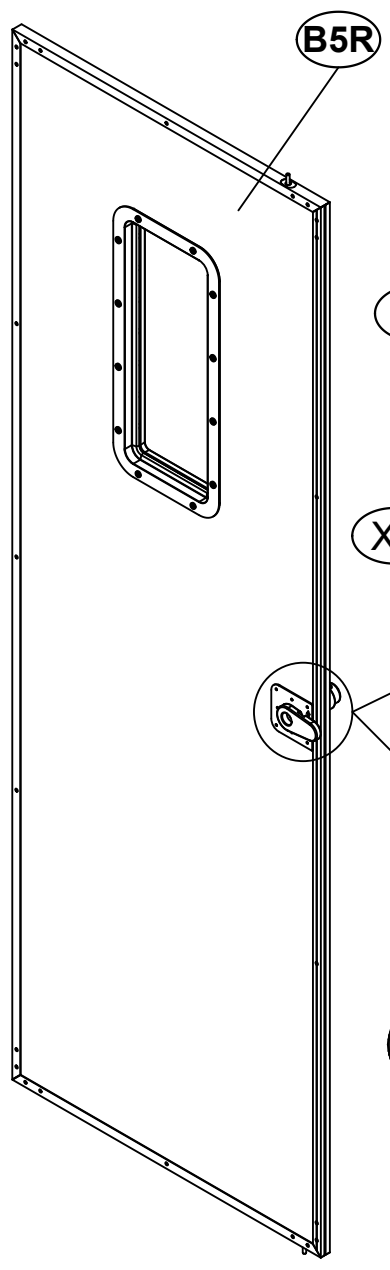
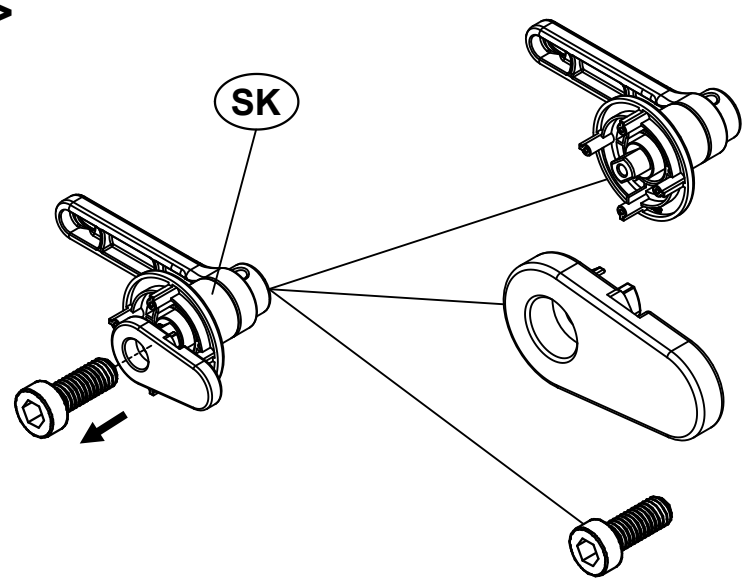
1

7x

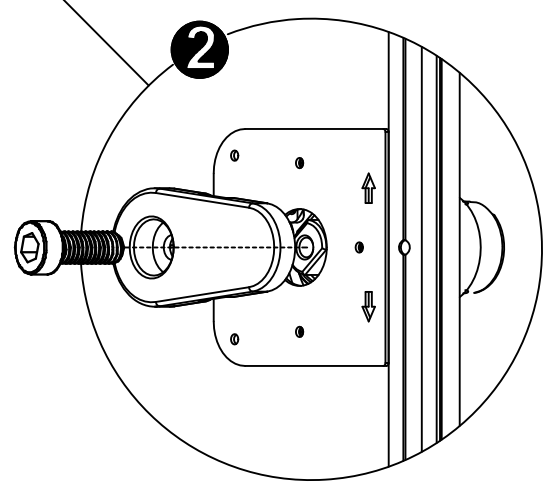
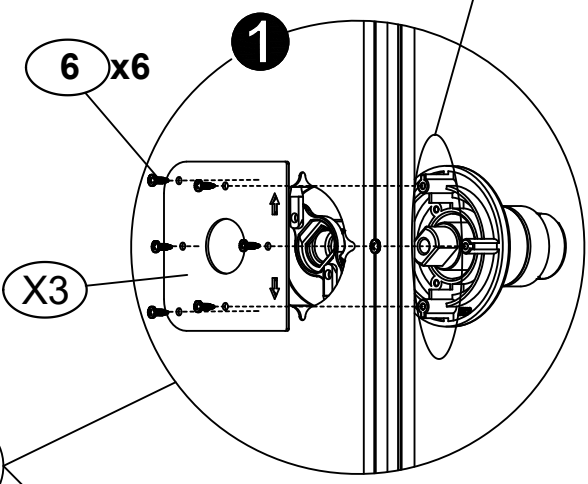


-  (SK) 1x
-  ST2.8x12 (6) 6x
-  (X3) 1x

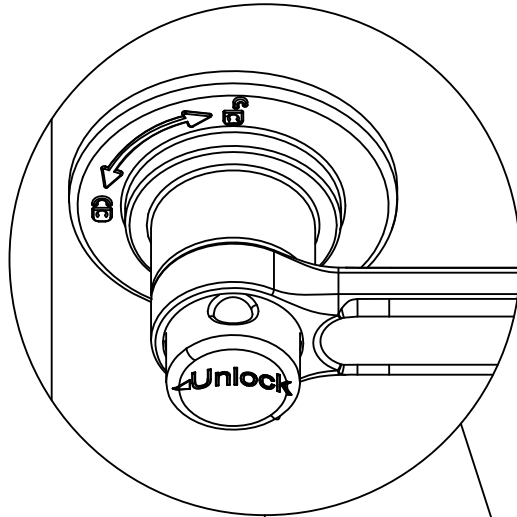
<39>



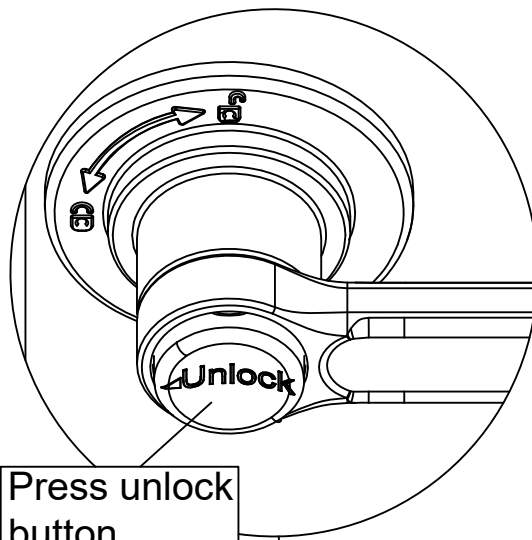
The direction of the raised steps during installation is located above and below



<40>

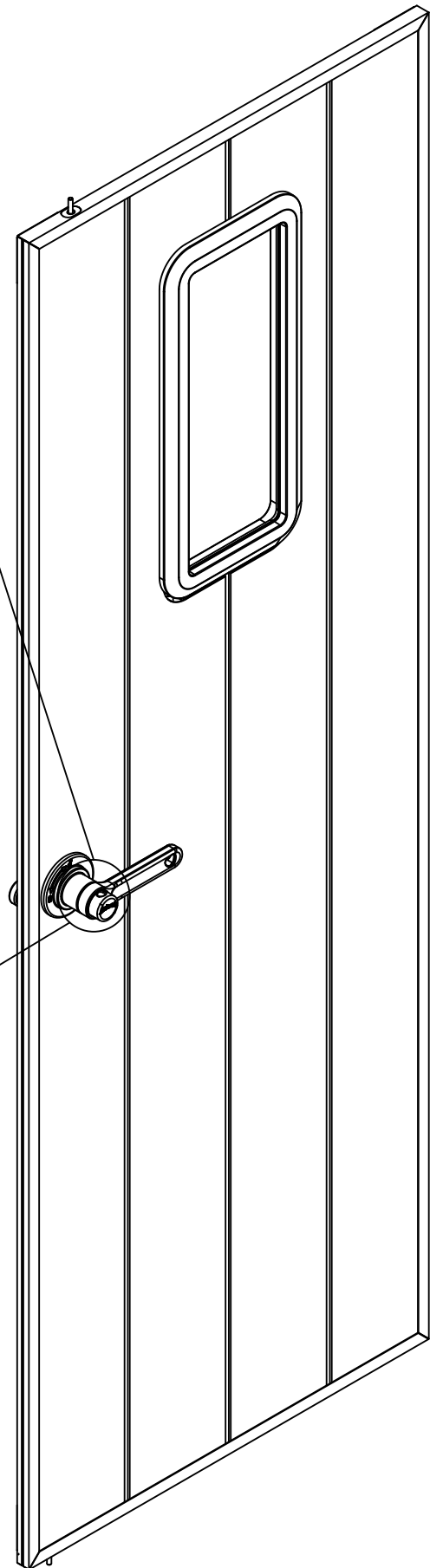


When the door lock button is in this state, the door handle is in the locked state and cannot be rotated



Press unlock button

When the door lock button is in this state, the door lock is unlocked and can be opened by pressing the doorknob

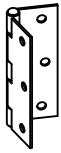




ST3.8x12

3

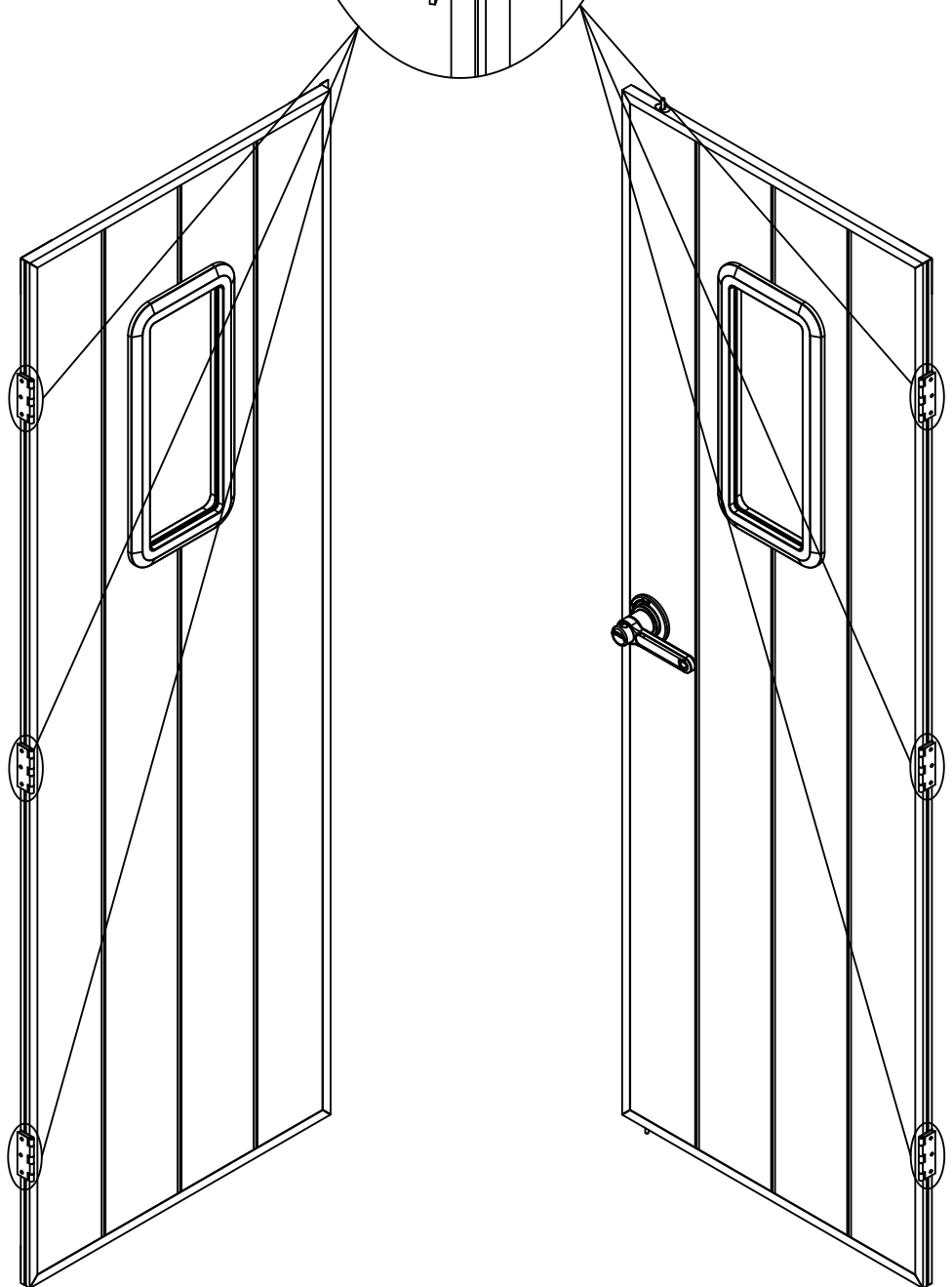
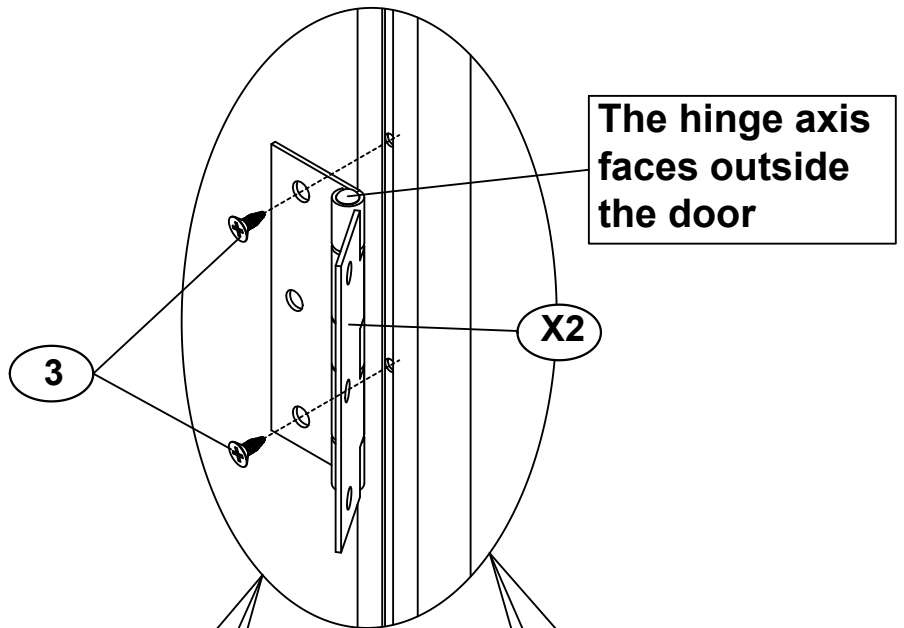
12x



X2

6x

<41>



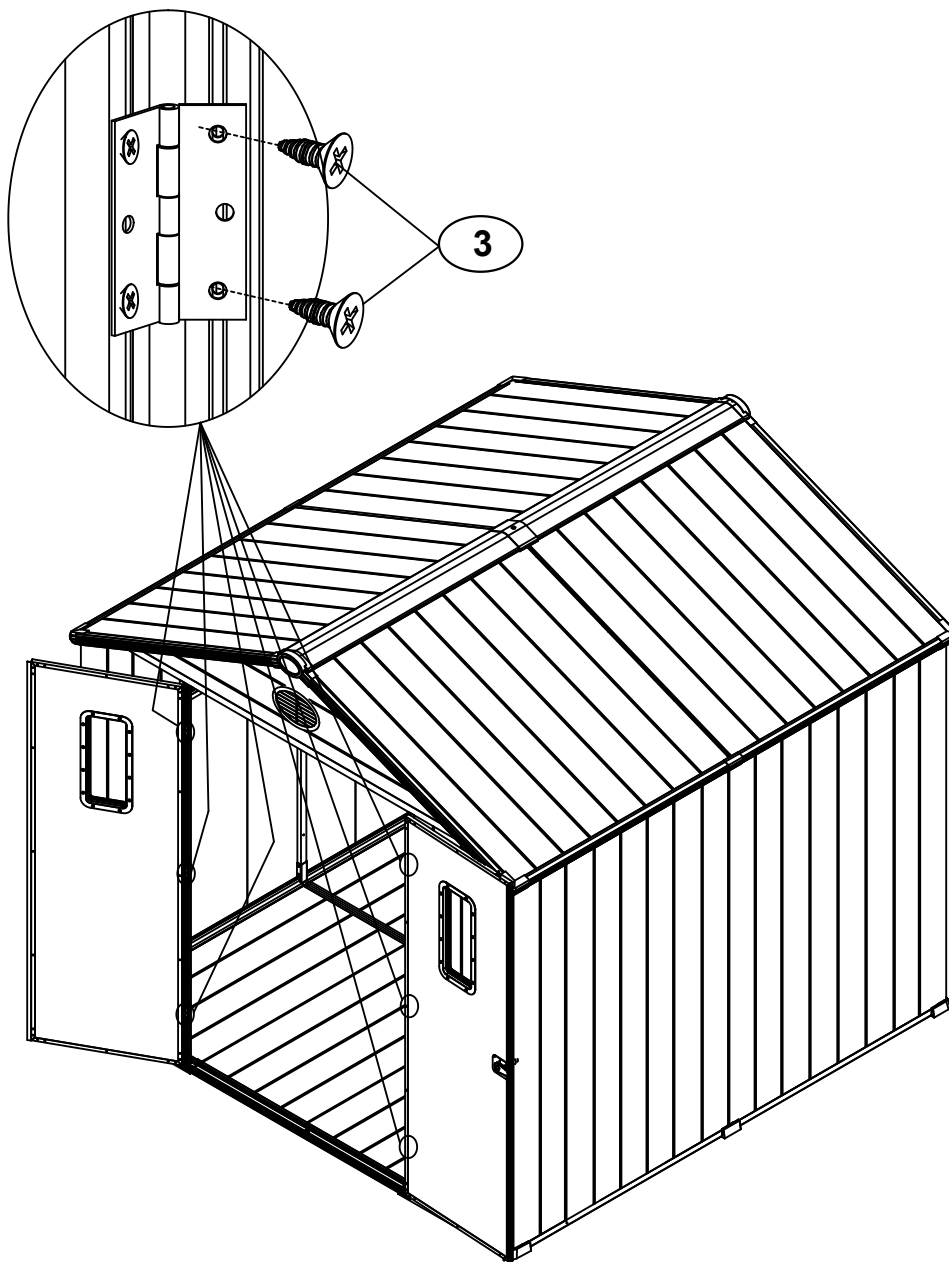


ST3.8x12

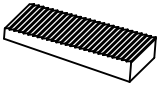
3

12x

<42>

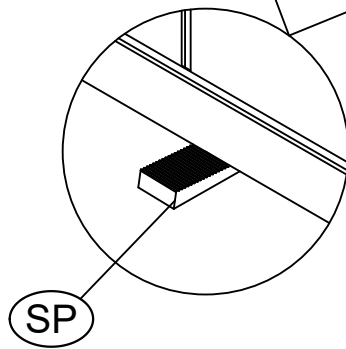
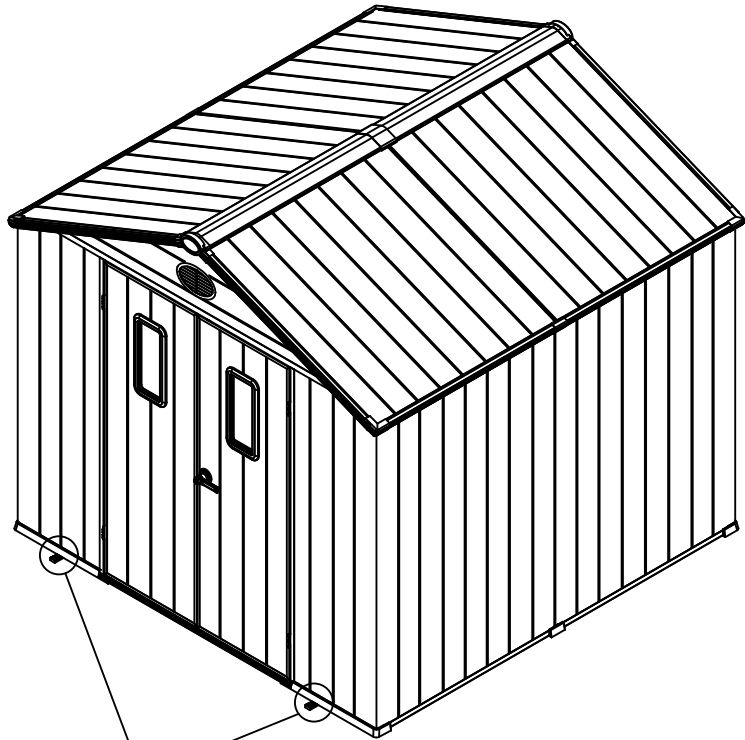


<43>



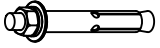
SP

2x



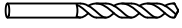
If the assembled rear door frame is tilted, the #SP# part can be placed on the left or right side of the tool house as shown.

<44>



M8x80  
6x

12



Y3

1x

