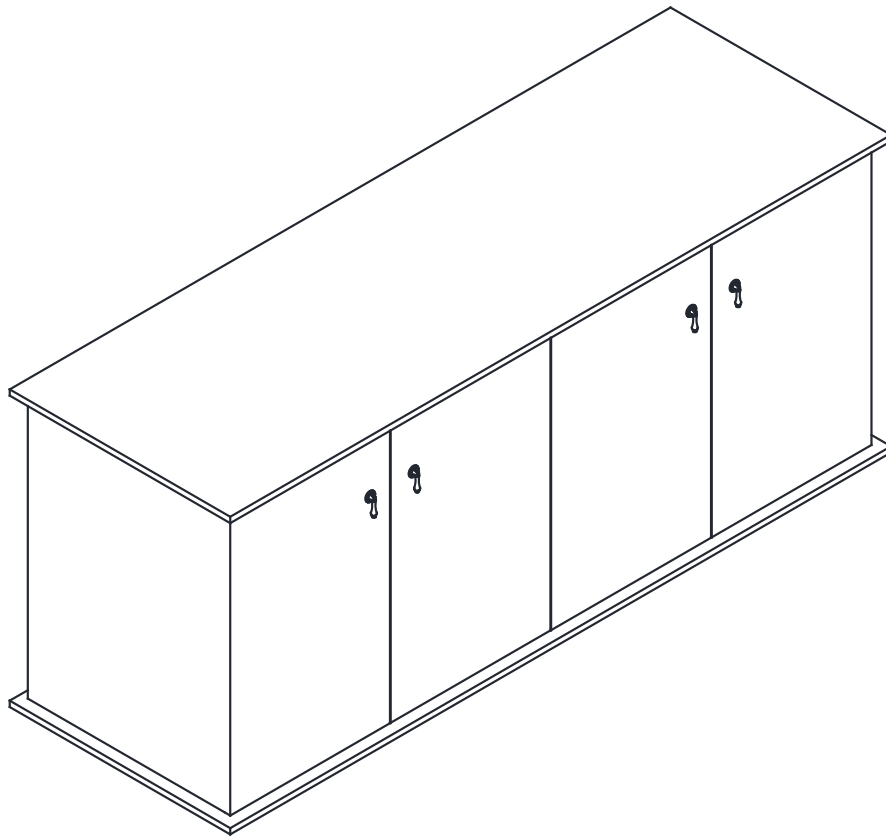


REPTILE TERRARIUM WOODEN CABINET STAND INSTRUCTION MANUAL



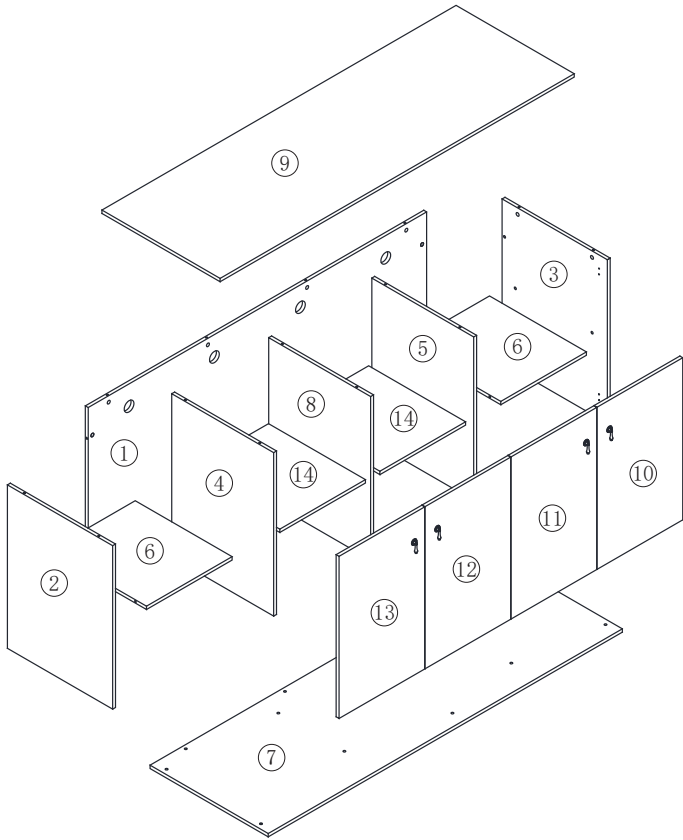
CN186176

Thank you for choosing our company's products, to ensure its service life, please read this instruction manual carefully.

Product overview

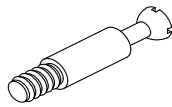
This product is specially designed for reptiles. Equipped with adjustable dividers, the height can be adjusted according to needs and it is more convenient for classified storage. With stable structure and black moisture-proof surface, it is wear-resistant and durable, high-end and exquisite. Equipped with cable pass and ventilation holes for easy wiring. It is easy to assemble and available in multiple sizes to choose from, suitable for various decoration styles.

Product List

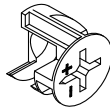


Part No	Part Name	QTY (PC)
①	Back board	1
②	Left side board	1
③	Right side board	1
④	Left middle board	1
⑤	Right middle board	1
⑥	Fixed board	2
⑦	Bottom board	1
⑧	Middle side board	1
⑨	Top board	1
⑩	Door board	1
⑪	Door board	1
⑫	Door board	1
⑬	Door board	1
⑭	Divider board	2

Accessories list



A. Lock lever: 40pcs
(Ø5*11)



B. Lock catch: 40pcs



C. Screws: 10pcs
(Ø3.5*25)



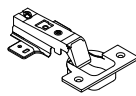
D. Footpads: 10pcs



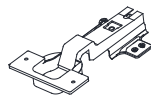
E. Shelf nails: 8pcs
(Ø5*20)



D. Screws: 48pcs
(Ø3.5*14)



G. Door hinge: 4pcs



H. Small bend door
hinge: 4pcs



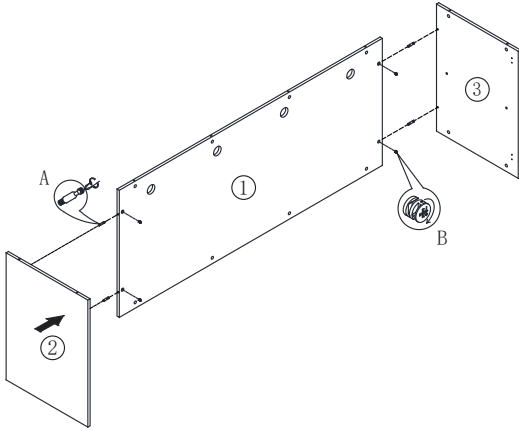
J. Handle screw: 4pcs
(Ø3.8*22)



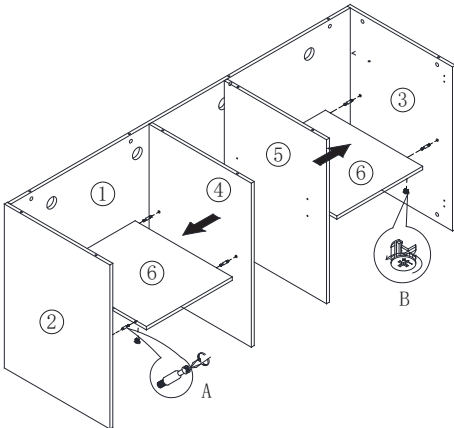
I. Door handle: 4pcs

Installation Instructions

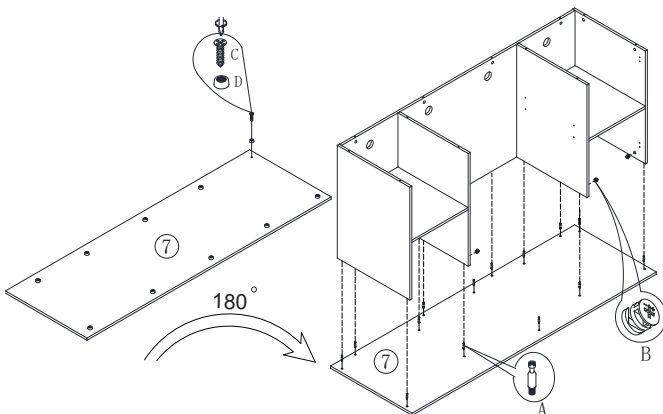
1. Place the back board (①), left side board (②) and the right side board (③) as below picture show, screw the locking lever (A*4 pcs) into the left and right side board holes separately, then use the lock catch (B*4 pcs) to lock them down. (Note: the arrow direction of the lock catch(B) need to align the lock lever(A), tighten in "+" direction and loosen in "-" direction).



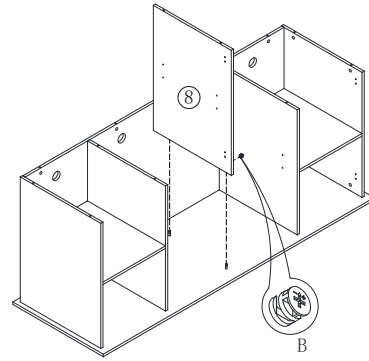
2. Place the mounted section on the ground horizontally, screw the lock lever (A*8 pcs) into the left side board (②), right side board (③), left-middle side board (④) and right-middle side board (⑤) holes separately, then use the lock catch (B*8 pcs) to lock the middle fixed panels (⑥). (Note: the arrow direction of the lock catch(B) need to align the lock lever(A), tighten in "+" direction and loosen in "-" direction)



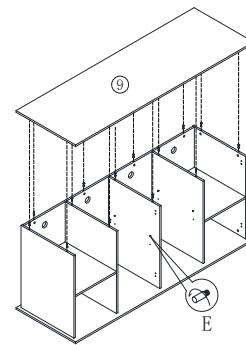
3. Screw the foot pads (D*10 pcs) onto the opposite side of the bottom board (⑦) with screws (C*10 pcs); Screw the lock lever (A*14 pcs) into the obverse side of bottom board (⑦), then use the lock catch (B*12 pcs) to lock them down. It is recommended to turn the bottom side up when installing this step; (Note: the arrow direction of the lock catch(B) need to align the lock lever(A), tighten in "+" direction and loosen in "-" direction)



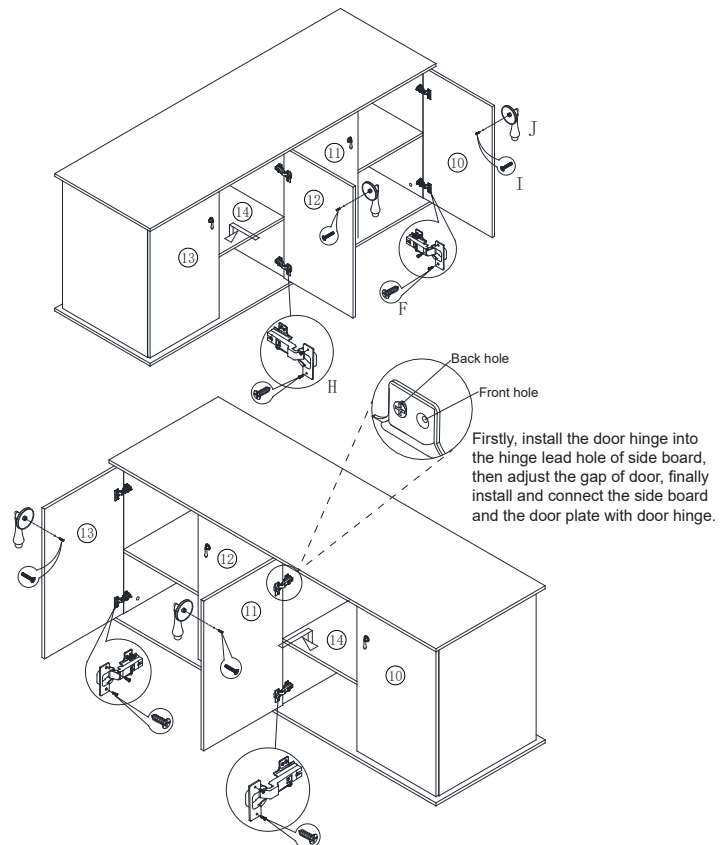
4. Install the middle-side board (⑧) and screw down with the lock catch (B*2 pcs) according to the figure.



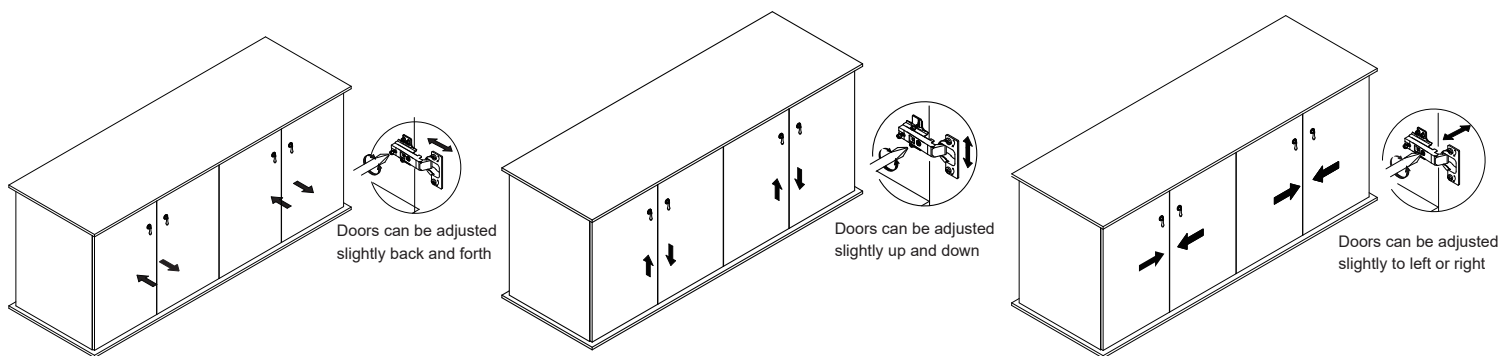
5. Screw the lock lever (A*14 pcs) into the top plate (⑨), then install in the mounted section of step 4 with lock catch (B*14 pcs). Screw the shelf nail (E*8 pcs) into the plate holes. (Note: the arrow direction of the lock catch(B) need to align the lock lever(A), tighten in "+" direction and loosen in "-" direction)



6. Install and fix the door hinge (G*4 pcs) with screws (F*24 pcs) on the plate (⑩) and plate (⑬) to connect; Install the small bend door hinge (H*4 pcs) to connect the plate (⑪) and plate (⑬) in same way; Install the door handle (J*4 pcs) with handle screw (I*4 pcs) as shown in figure. Then put the divider boards (⑭) into the cabinet.



7. Adjust the installed door according to the actual usage.



Safety and Maintenance

This product is not suitable for children to play with as a toy.

This product is for indoor use only, do not install or store it outdoors.

Important Safety Information

【Warning】 Failure to follow these safety instructions may result in product damage and personal safety

【Usage】 Please read all safety information before using the product.

