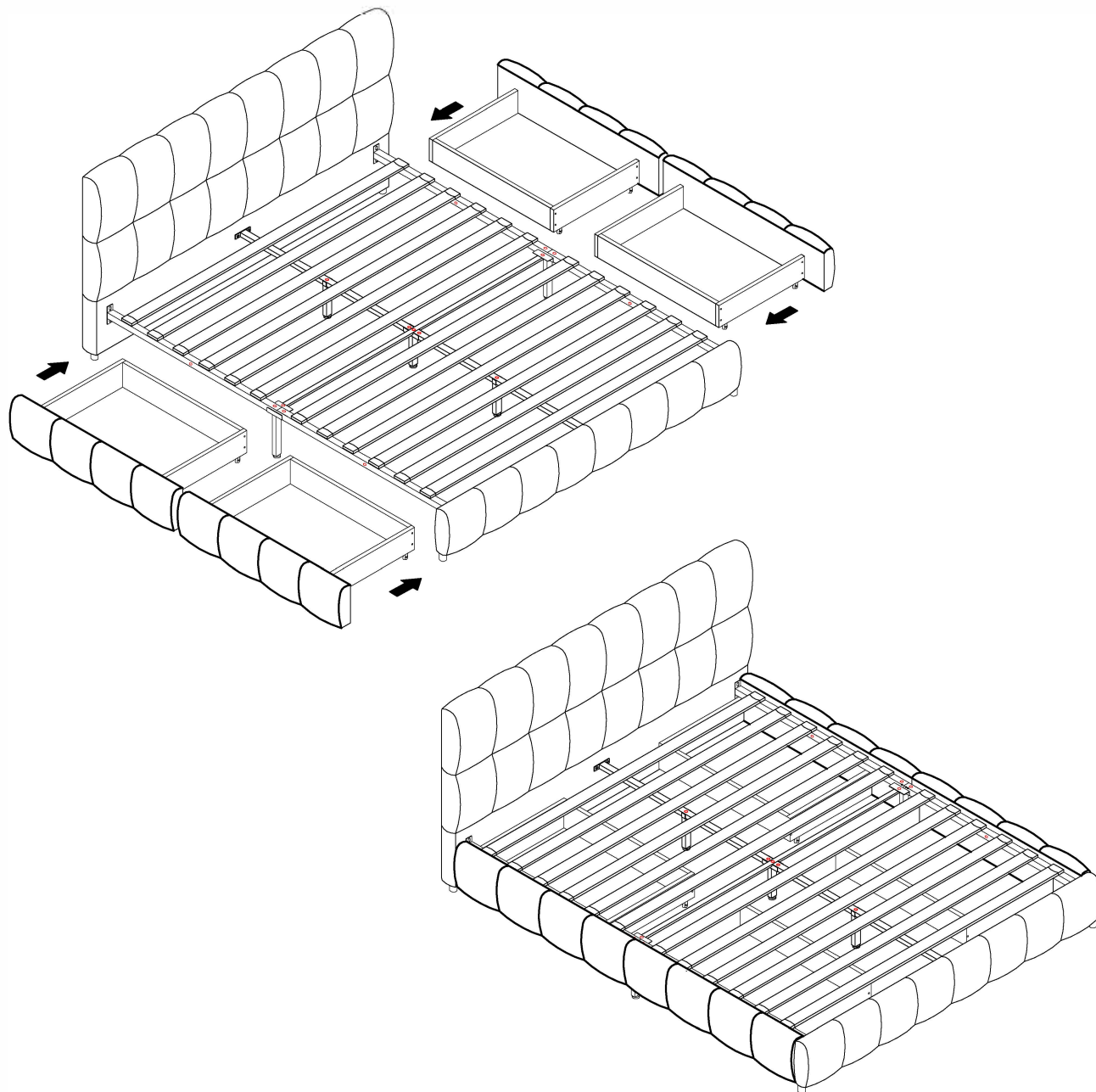
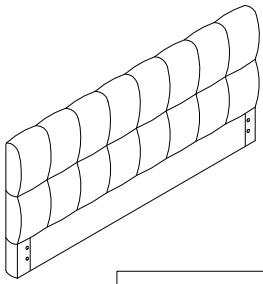


ASSEMBLY INSTRUCTIONS



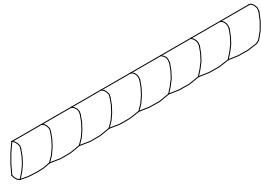
PARTS AND HARDWARE

① Headboard



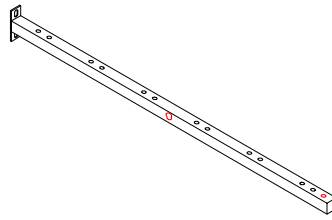
1PC

② Footboard



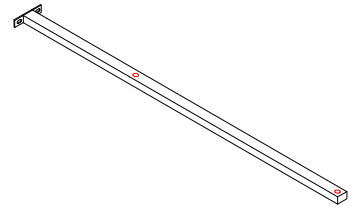
1PC

③ Side Rail Support



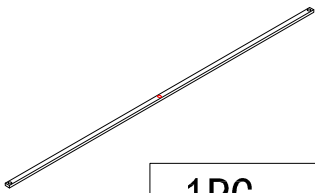
4PCS

④ Center support rail



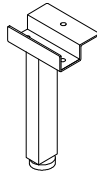
2PCS

⑤ Center cross bar



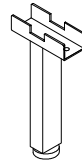
1PC

⑥ Side Rail Feet



2PCS

⑦ Center Support Leg



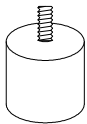
1PC

⑧ Support Leg



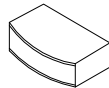
2PCS

⑨ Leg



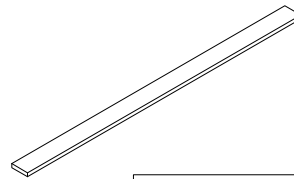
4PCS

⑩ Single Sided Plastic cap



24PCS

⑪ Slat



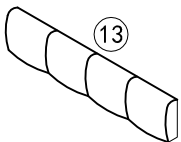
12PCS

⑫



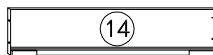
16PCS

⑬



4PCS

⑭



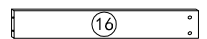
4PCS

⑮



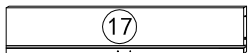
4PCS

⑯



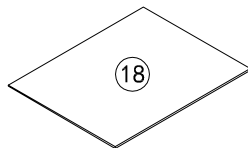
4PCS

⑰



4PCS

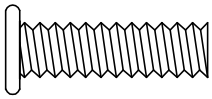
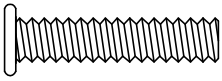
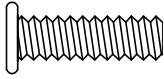

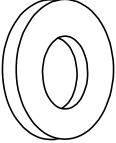



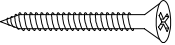
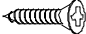
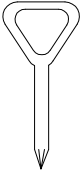
⑱



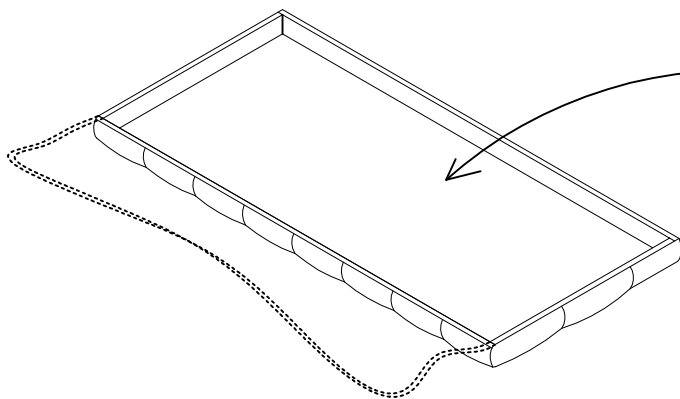
4PCS

PARTS AND HARDWARE

HARDWARE LIST:

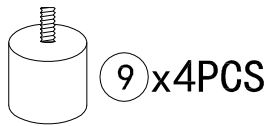
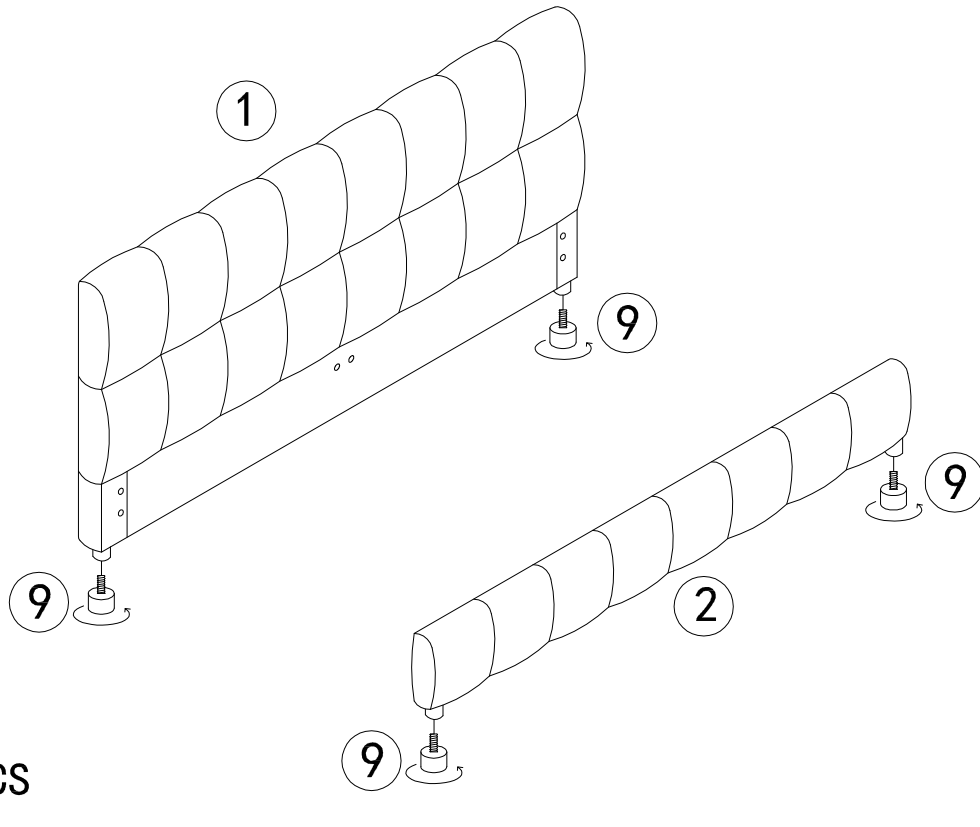
<p>A</p>  <p>m8*30mm 14PCS</p>	<p>B</p>  <p>m8*45mm 9PCS</p>	<p>C</p>  <p>m6*25mm 4PCS</p>	<p>D</p>  <p>m8 23PCS</p>
<p>E</p>  <p>m8*19mm 23PCS</p>	<p>F</p>  <p>m8 1PC</p>	<p>G</p>  <p>24PCS</p>	<p>H</p>  <p>24+2PCS</p>
<p>I</p>  <p>8*30mm</p> <p>24PCS</p>	<p>J</p>  <p>8*15mm</p> <p>64PCS</p>	<p>K</p>  <p>1PC</p>	

STEP :Packing Details

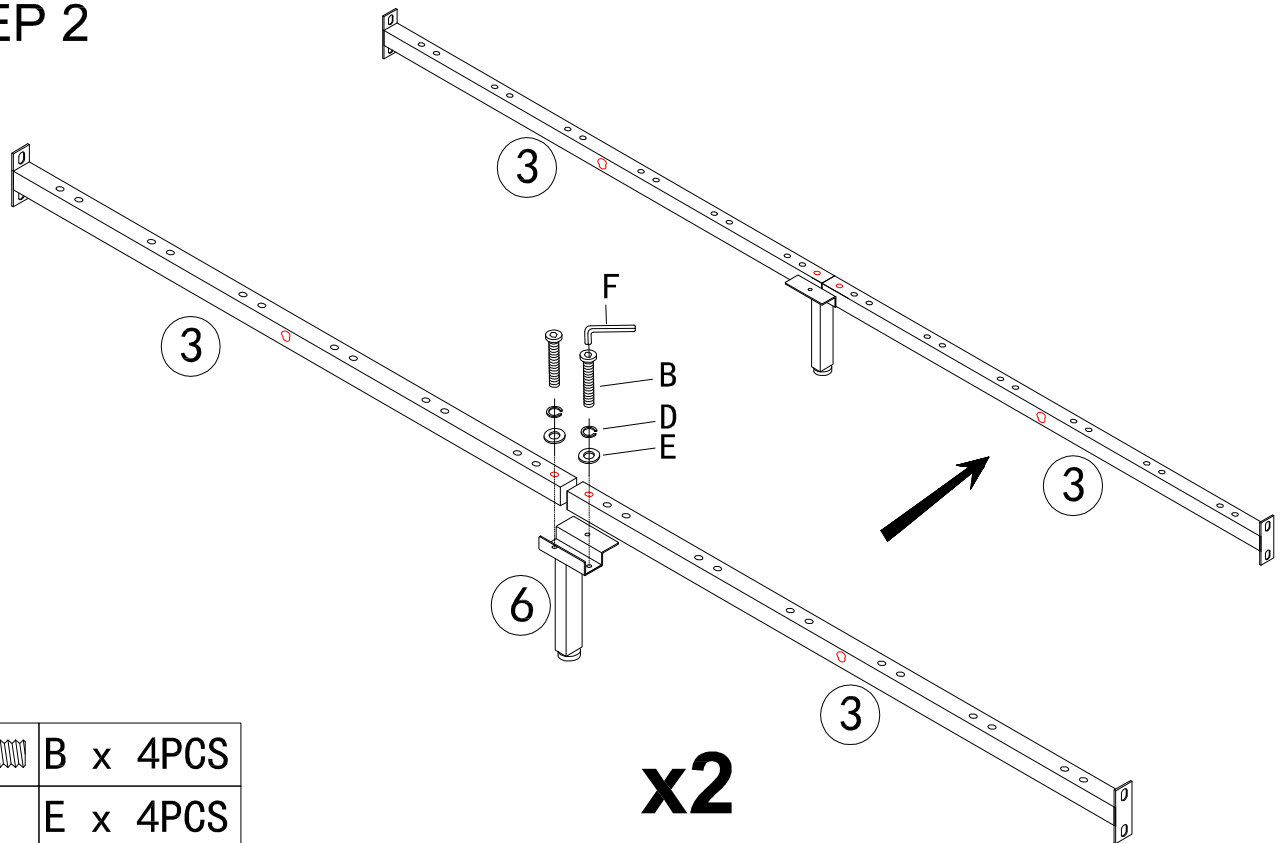


All components inside





STEP 1



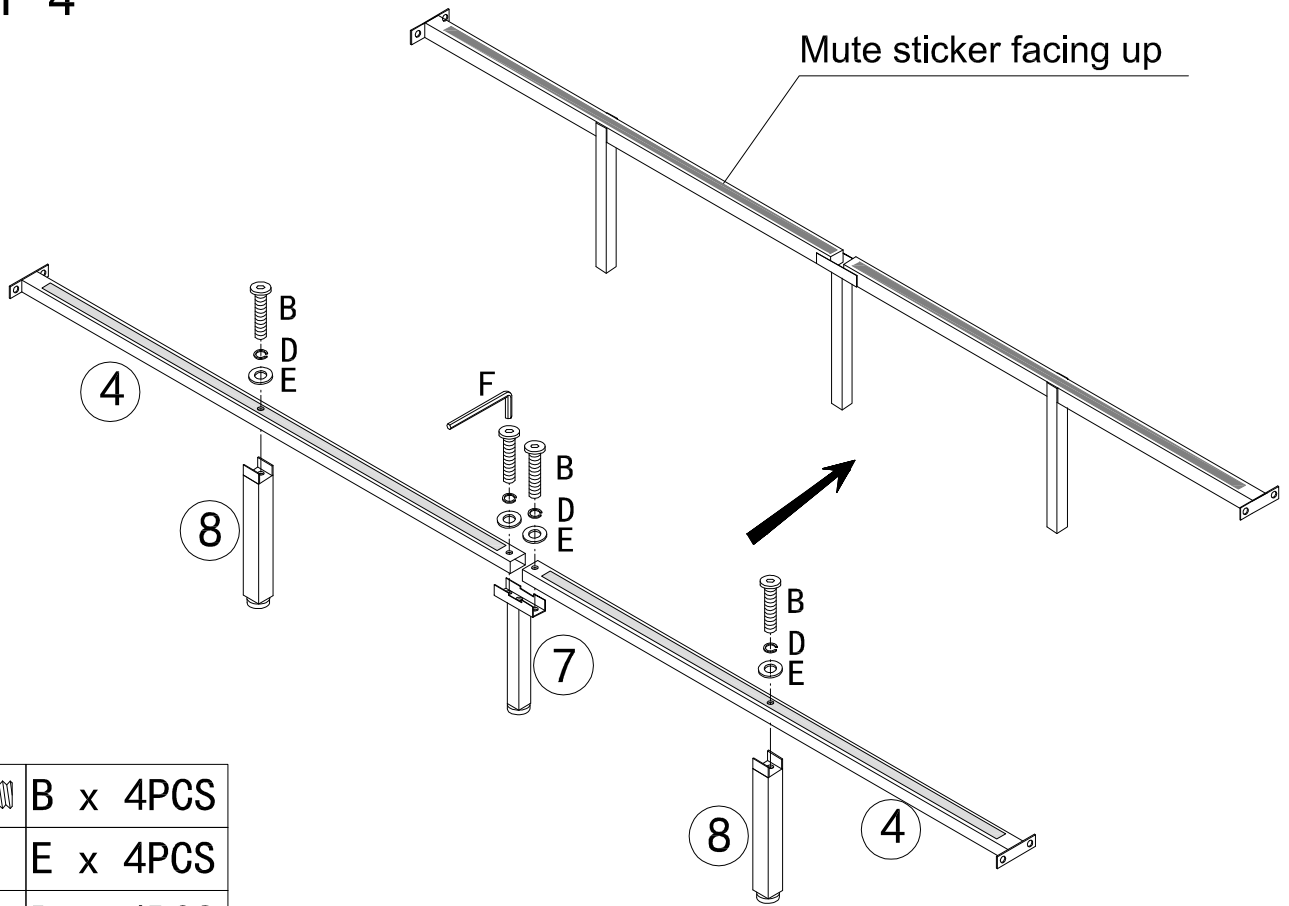
STEP 2



x2

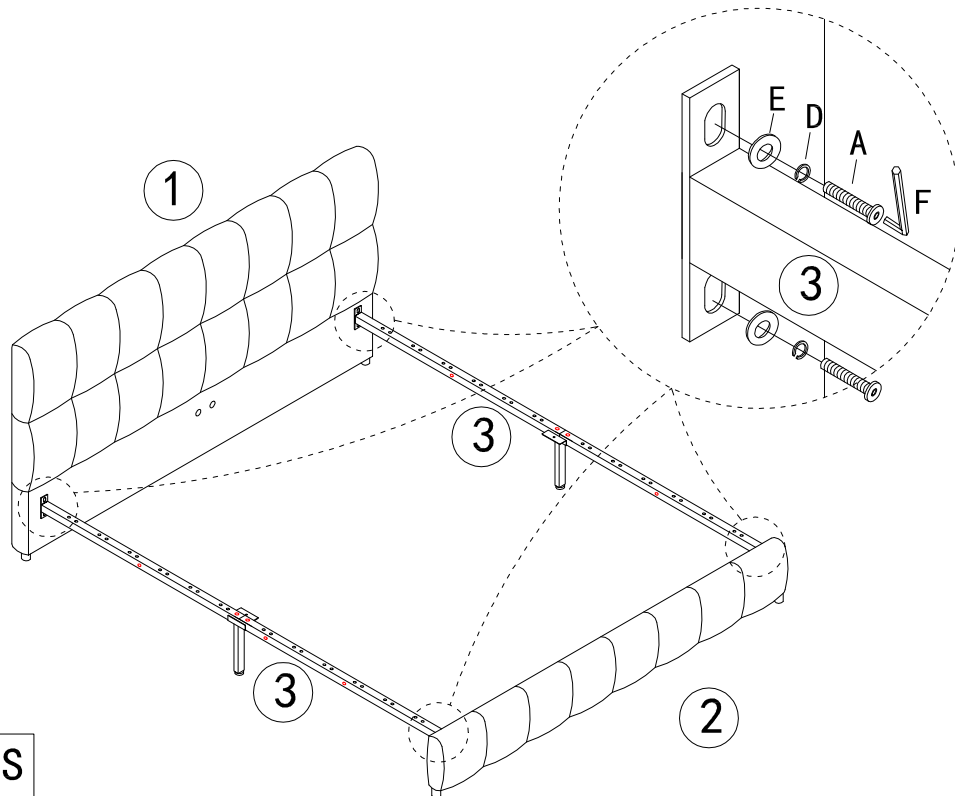
	B x 4PCS
	E x 4PCS
	D x 4PCS
	F x 1PC

STEP 4



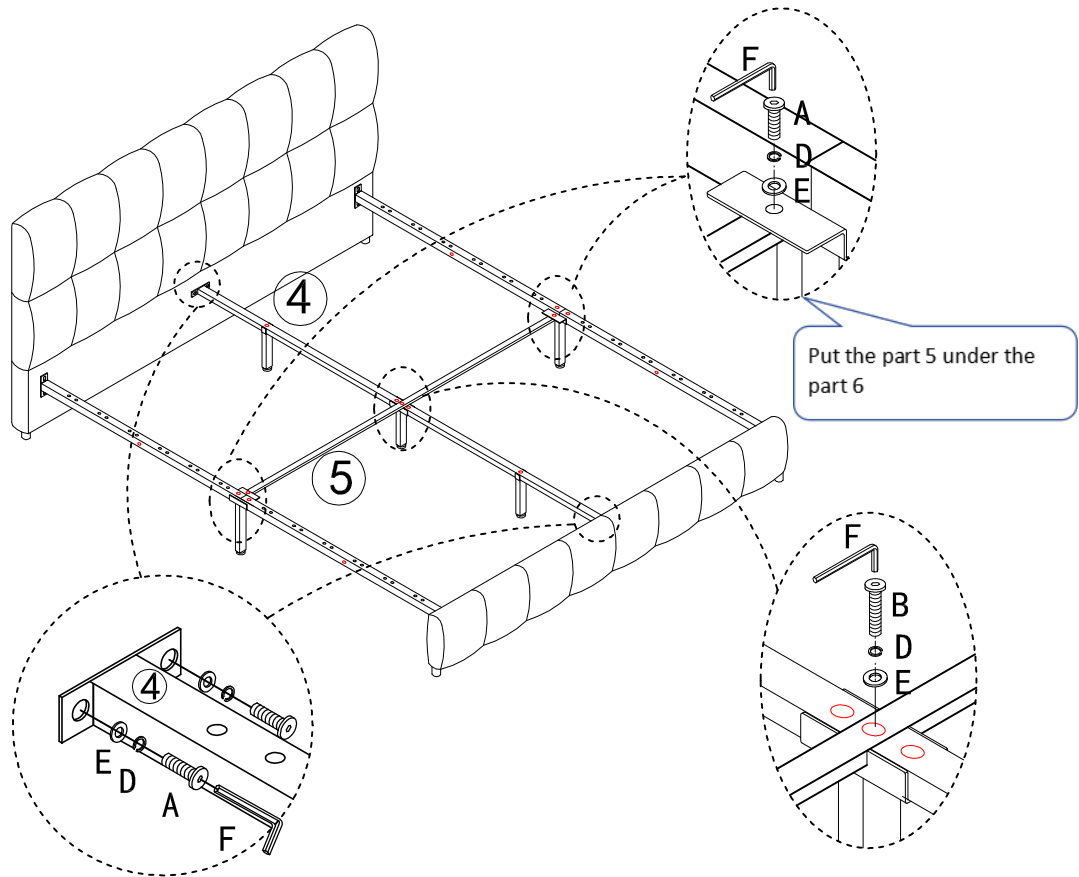
	B x 4PCS
	E x 4PCS
	D x 4PCS
	F x 1PC

STEP 5



	A x 8PCS
	E x 8PCS
	D x 8PCS
	F x 1PC

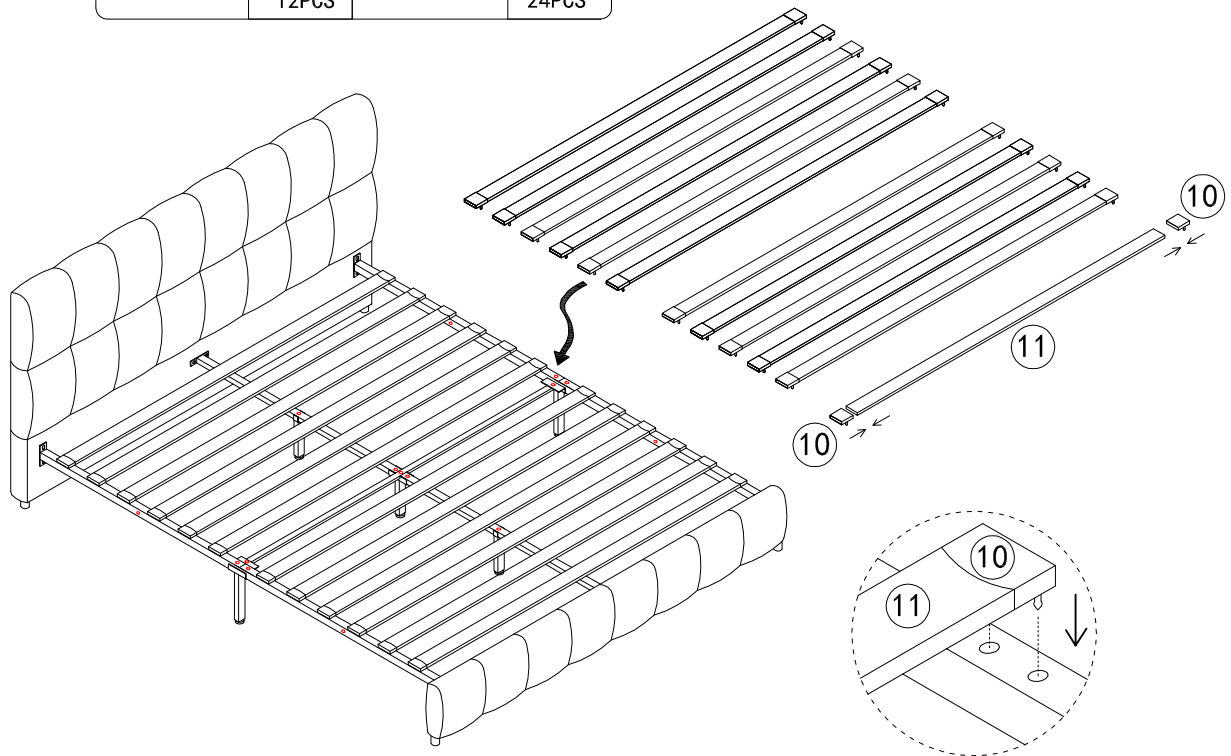
STEP 5



	B x 1PCS
	A x 6PCS
	E x 7PCS
	D x 7PCS
	F x 1PC

STEP 6

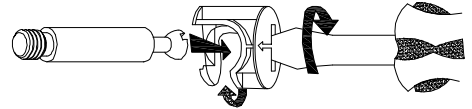
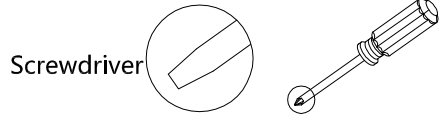
	⑪ Slat		⑩ Single Sided Plastic cap
	12PCS		24PCS



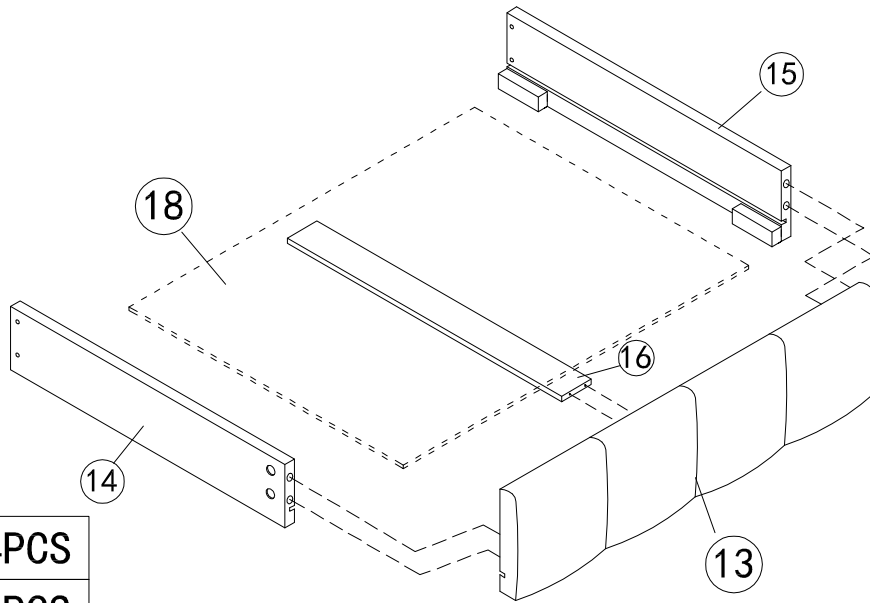
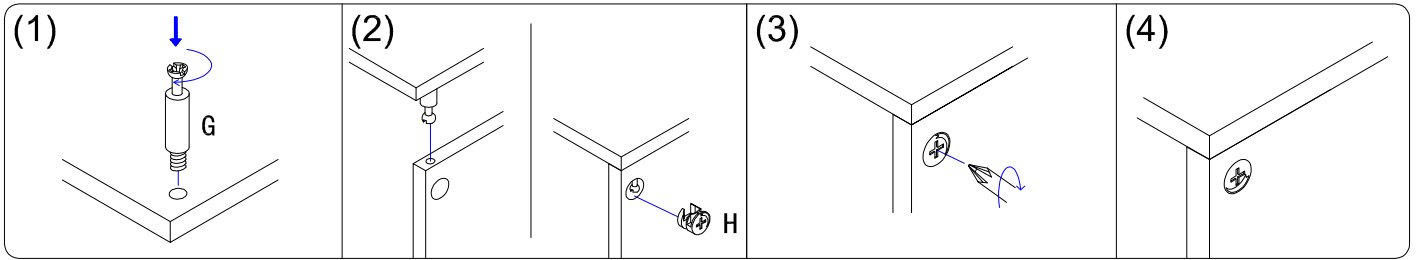
STEP 9

THIS IS HOW A CAM NUT WORKS...



ASSEMBLY TOOLS REQUIRED (NOT INCLUDED)



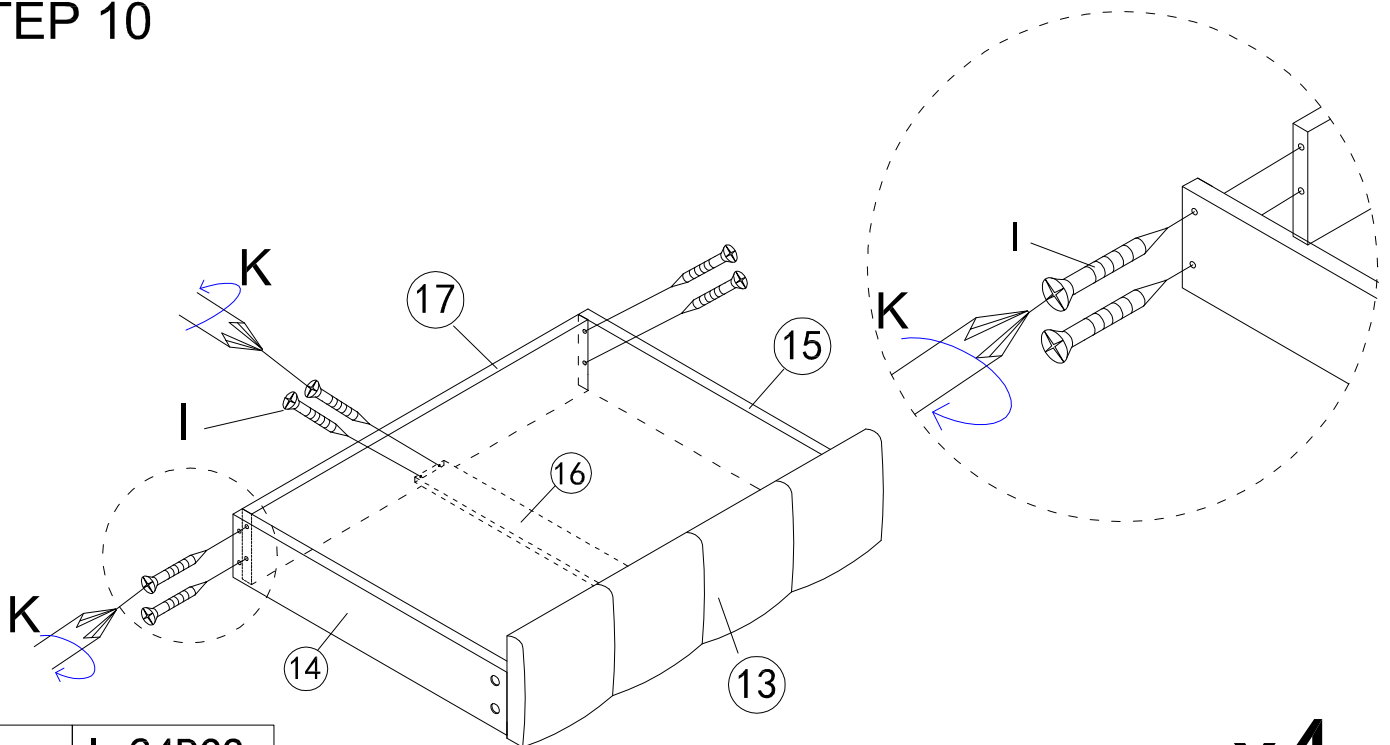
THE HEAD OF BOLT GOES INTO THE WIDE MOUTH OF THE CAM NUT. YOU THEN TURN THE NUT SO THE NARROW PART CLOSES OVER THE BOLT.




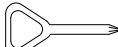
x4

	Gx24PCS
	Hx24PCS

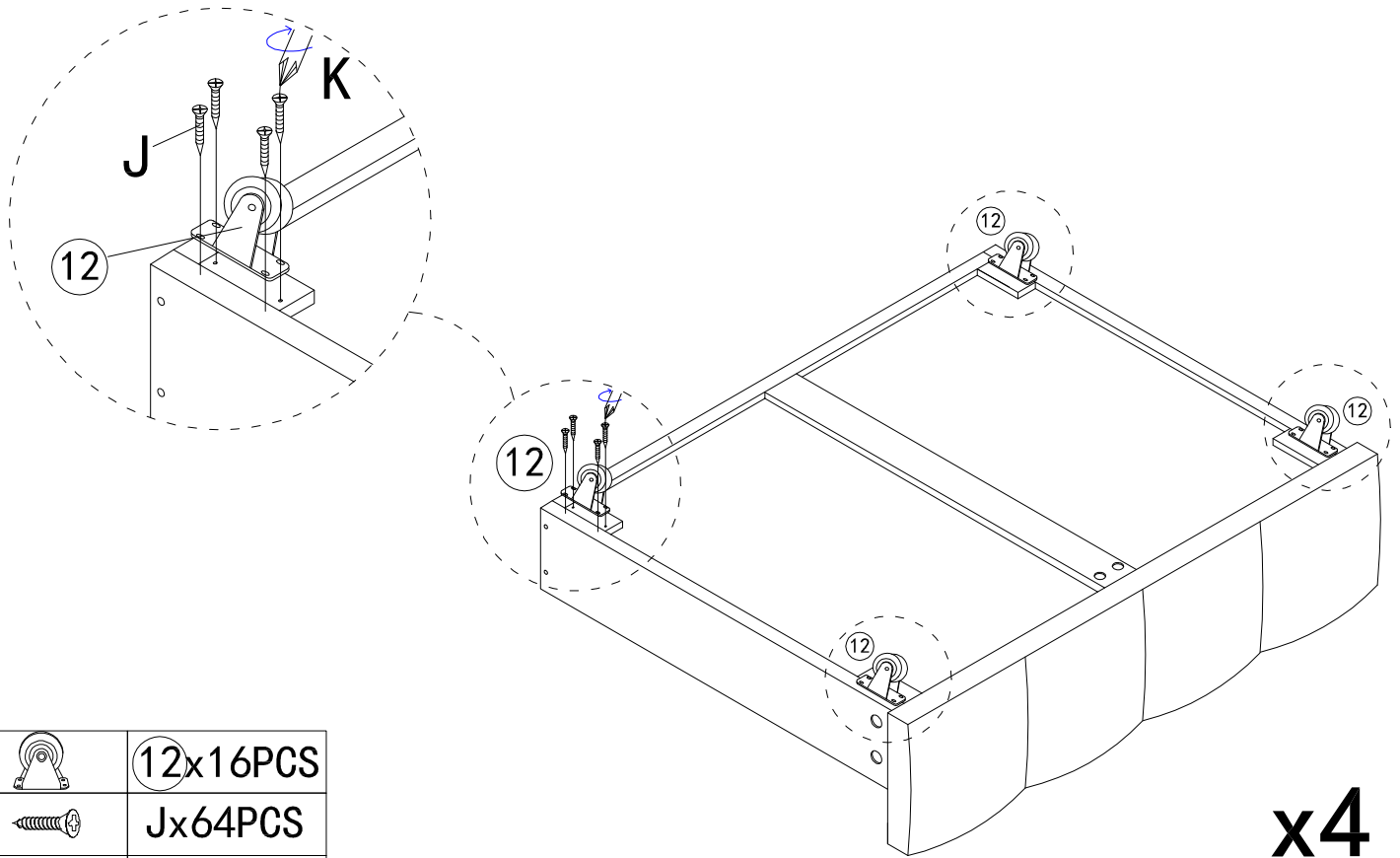
STEP 10



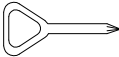


x4

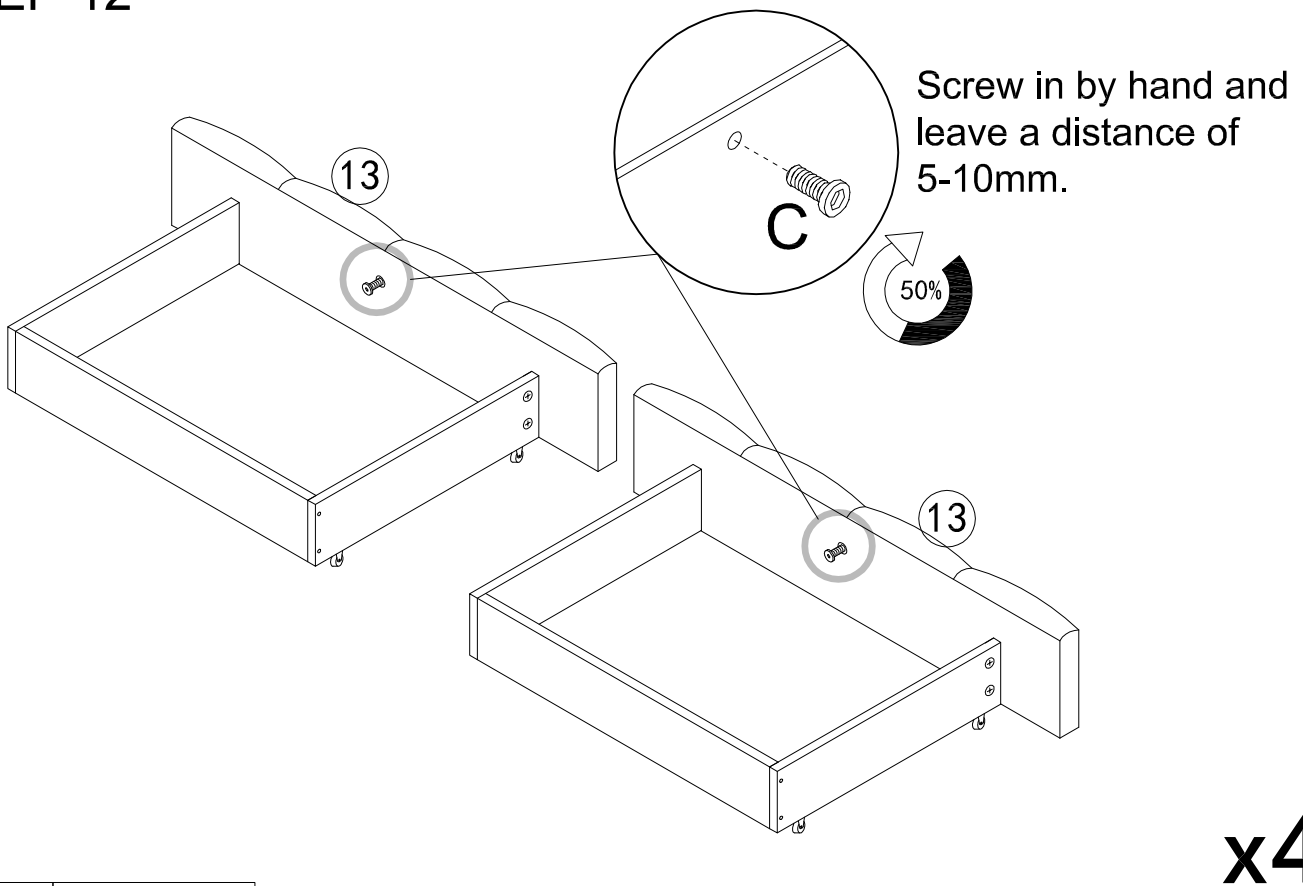
	I x24PCS
	K x1PC


STEP 11



	12x16PCS
	Jx64PCS
	Kx1PC

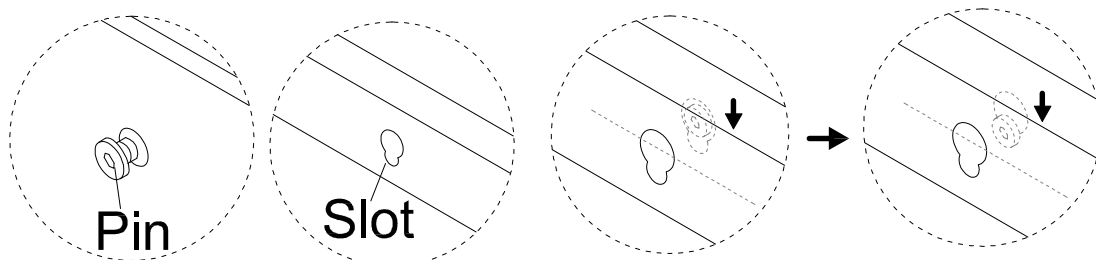
STEP 12



	C x4PCS
--	---------

STEP 13

Drawer panel screw hang into side cross beam hole.



There is a screw head on the drawer board. Hang them in the hole as shown in the figure.

