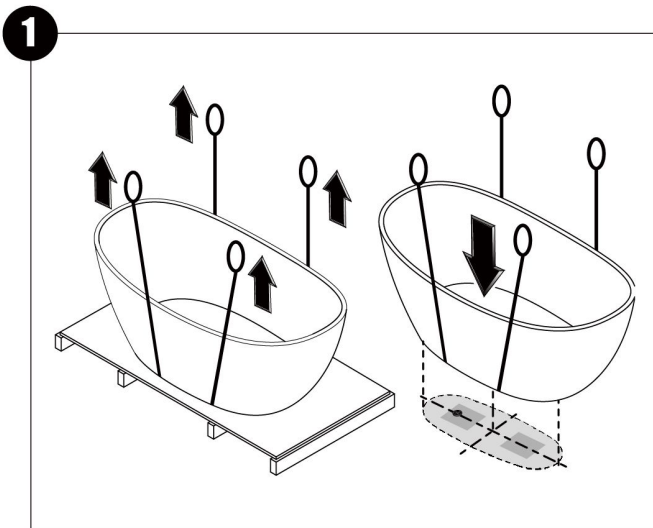
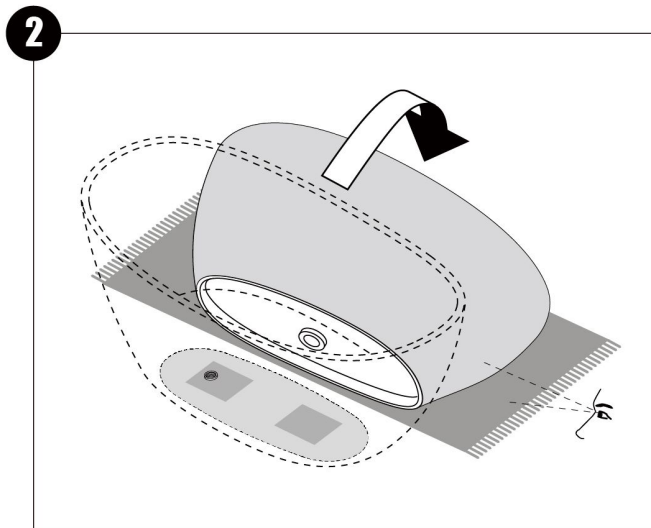


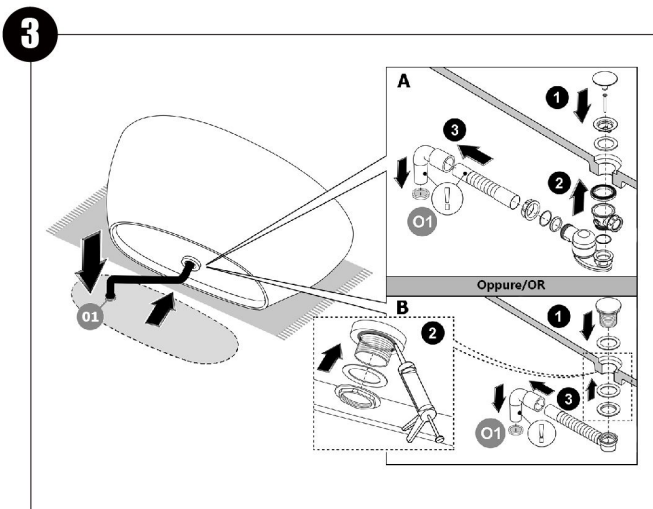
Freestanding Bathhtub Installation Steps



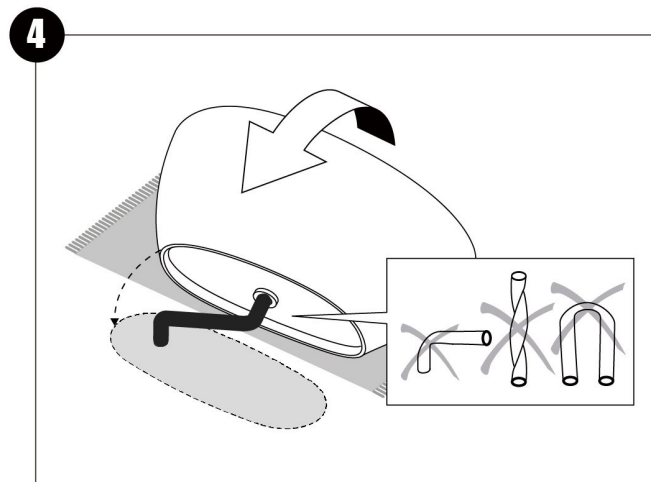
1. Place the bathtub in the installation position.



2. Put soft objects on the ground. It is best to be a yoga mat. Then put the sides of the bathtub down. Prevent the bathtub from scratching.



3. Install the water pipe according to the schematic diagram, and then confirm whether the water pipe is connected properly and will not leak. Finally, insert the water pipe into the floor drain.



4. Place the bathtub in a fixed position, complete the installation.
Note: After installation, release some water and check whether the pipes leak.