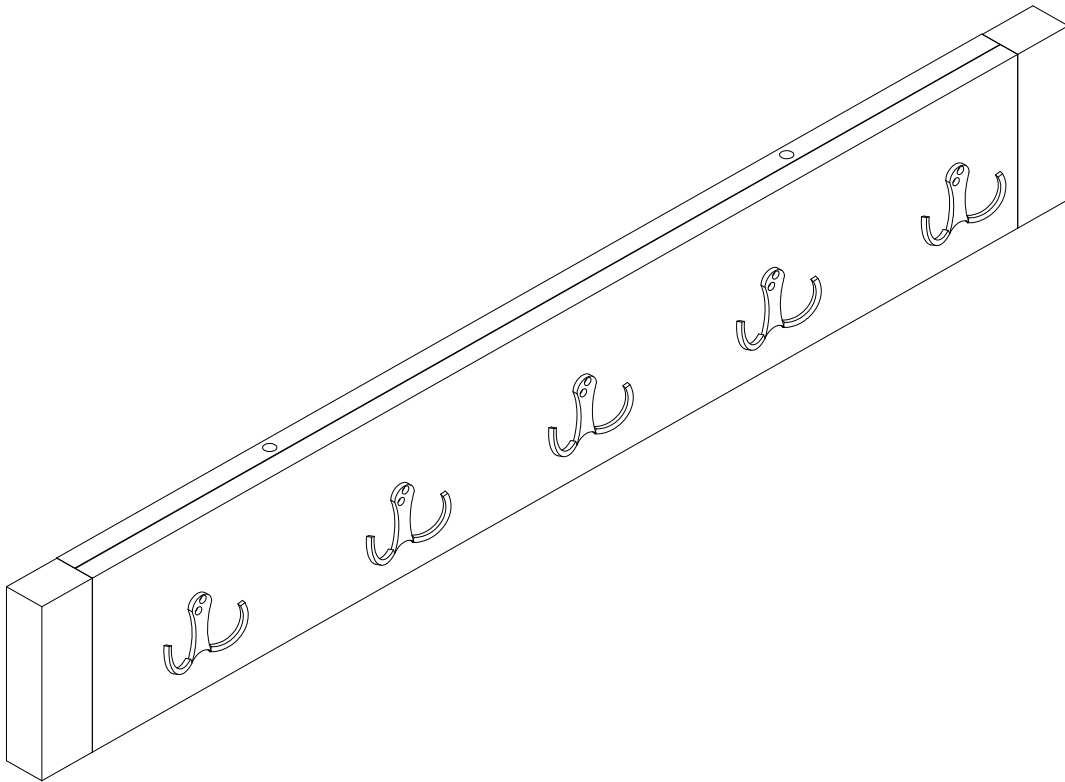


ASSEMBLY INSTRUCTIONS

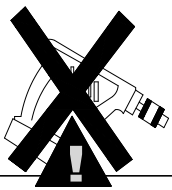
40" COAT HOOK



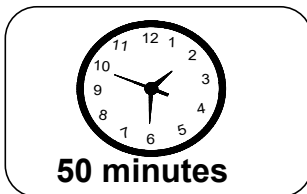
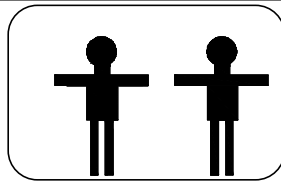
REPLACEMENT PARTS

Please do not contact the company purchased from as we can help you faster.

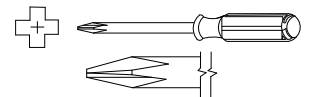
Order replacement parts and hardware at "boltonfurniture.com"



- . Use of power tool to assemble this product will invalidate any claim and damage this product making it unsafe!!!
- . Please assemble on a clean soft surface to avoid damage.



Tool Included

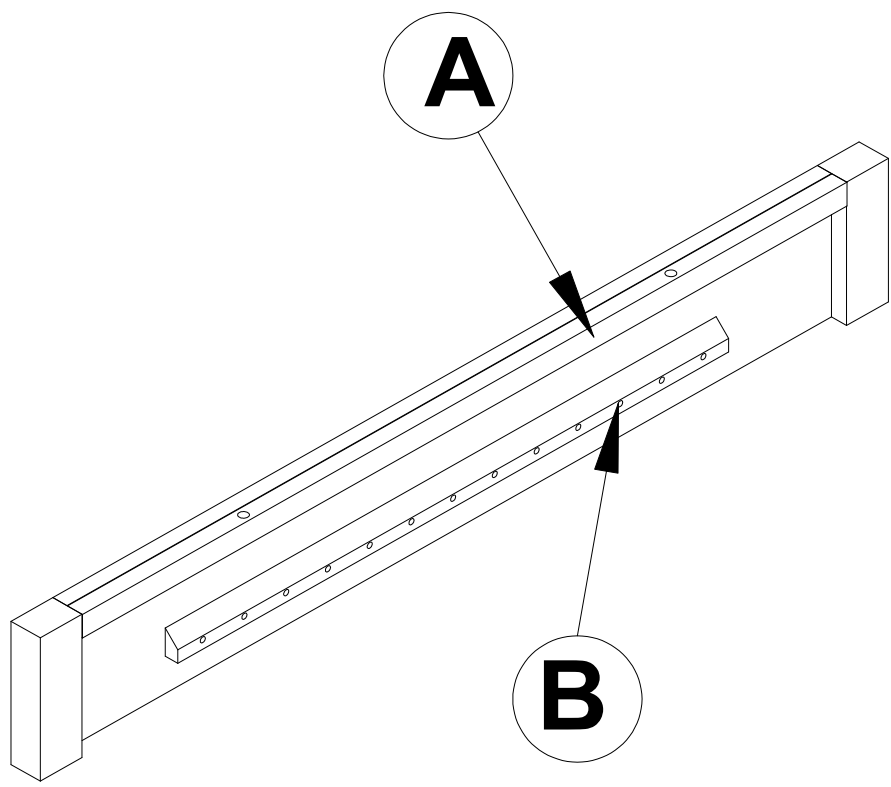


(Not included)

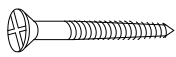


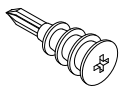
(Included)


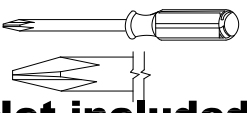
Part List- 40" Coat Hook



Identifying the hardware-Identify the hardware using the illustrations below.

C  **04**
4X50mm

D  **02**
EZ Anchor

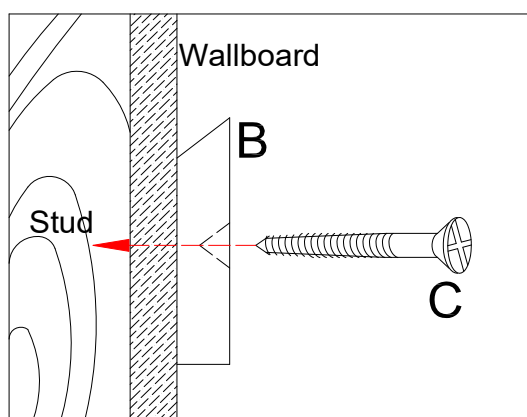
 
Not included

Note: If possible, we recommend that you secure cleat (B) to stud in wall.

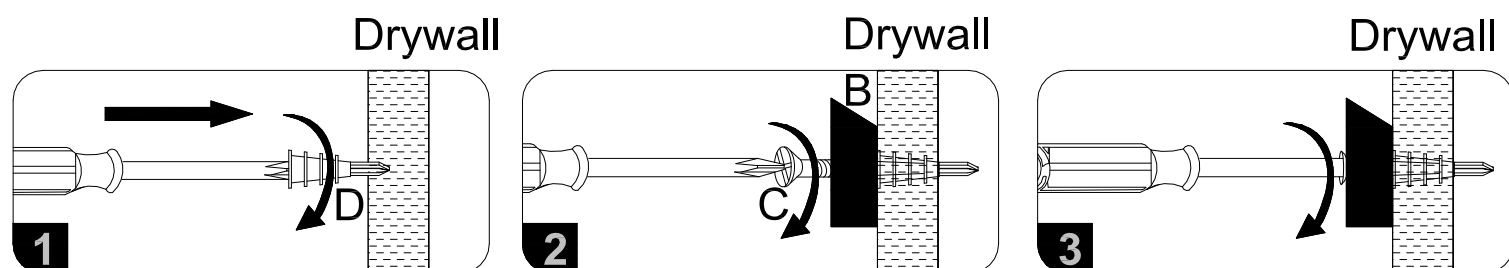
Step 1: Position Cleat (B) on wall in desired location where shelf will be hung. Make sure cleat is level.

Step 2: Using Cleat (B) as template, align holes in cleat to studs in wall. Drill 1/8" pilot holes 3/4" deep.

Step 3: Attach French Cleat (B) to Studs in wall in at least 2 locations using wood screws (C)



Step 4: If hole locations do not align with stud in wall, install the EZ Anchor(D) in to drywall by tapping it in to the predrilled pilot holes up to the thread, and then screwing the EZ Anchor in to the drywall. Attach Cleat (B) using wood screw (C) to EZ Anchors. **NOTE:** Cleat could be secured using combination of Studs and EZ Anchors.



Step 5: Hang coat hook on cleat. Secure in 2 places using wood screw (C).

