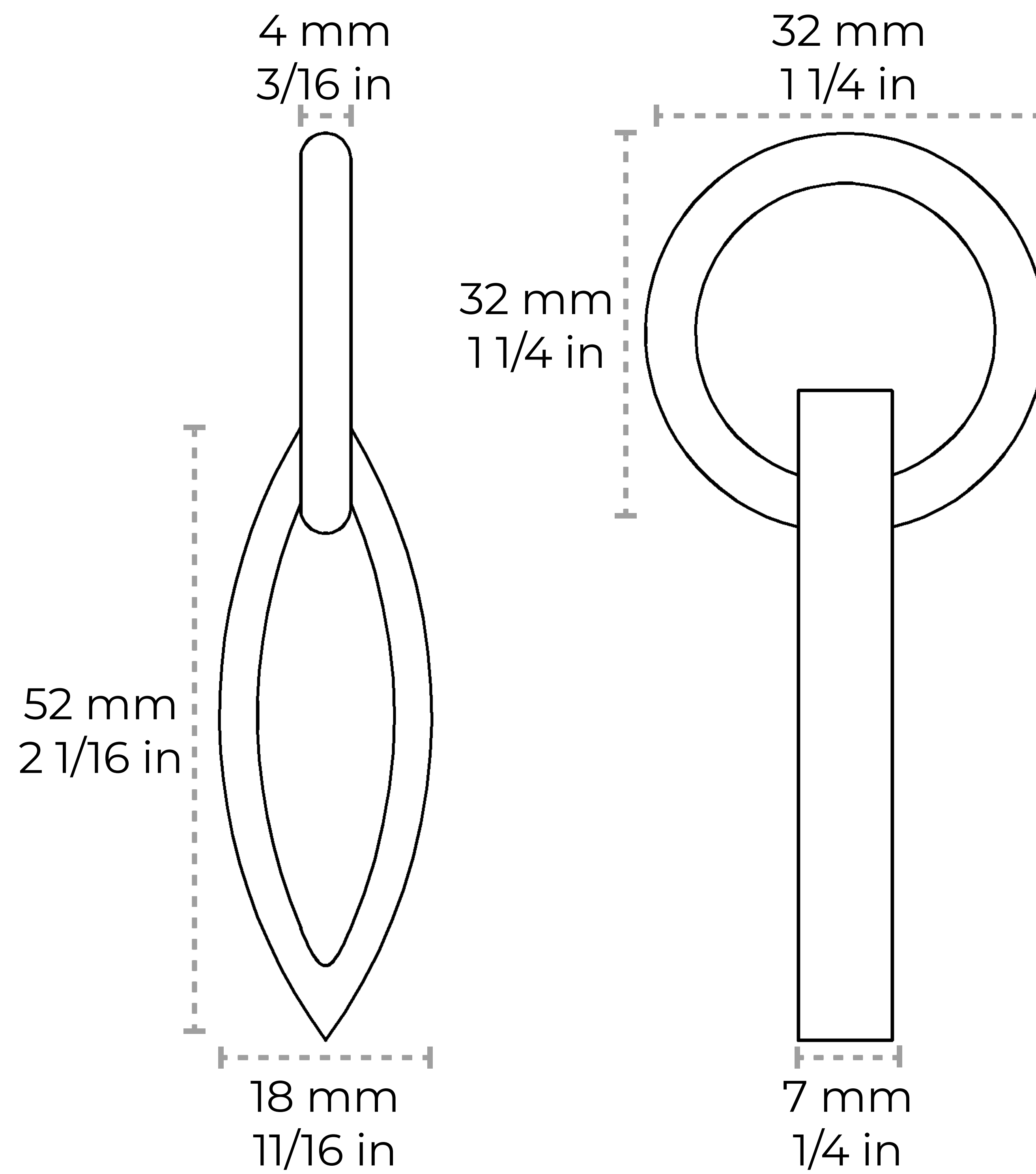


CH-BR26-U52

[Chain BR26-U] Brass Loop Chandelier Chain



Material	Brass
Welding Type	Unwelded
Max Load	24 lbs
Weight per Foot	0.31 lbs/ft
Main Link Measurements	Length: 52 mm 2 1/16 in Width: 18 mm 11/16 in Diameter: 7 mm 1/4 in
Connecting Link Measurements	Length: 32 mm 1 1/4 in Width: 32 mm 1 1/4 in Diameter: 4 mm 3/16 in

Contact:

1-360-392-8121

<https://www.rchhardware.com>

