




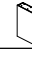




ASSEMBLY INSTRUCTIONS

ITEM NO : PT5212 COUNTER HEIGHT TABLE

1/1

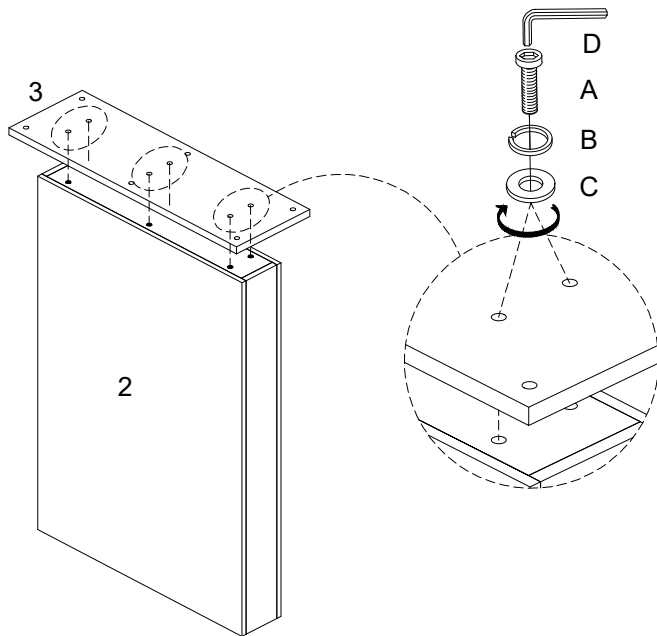
HARDWARE LIST			
NO	PART		Q'TY
A		Ø5/16"x35mm	32
B		Ø5/16"x13mm	32
C		Ø5/16"x19mm	32
D		5mm	1

PART LIST			
NO	PART		Q'TY
1		Table top	1
2		Table leg	2
3		Connection plate	2
4		Stretchers	2

This table is packed in 2 separate cartons, which may be delivered on different days. Please wait until both cartons arrive before starting assembly.

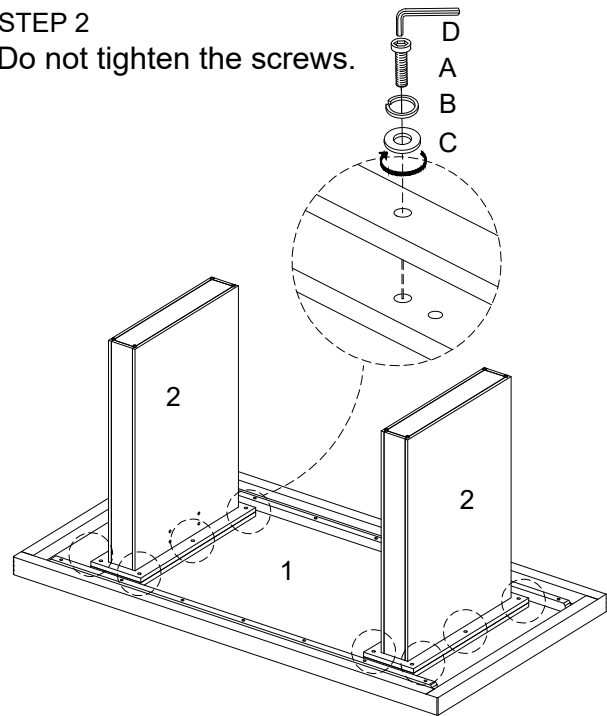
STEP 1

Tighten the screws.

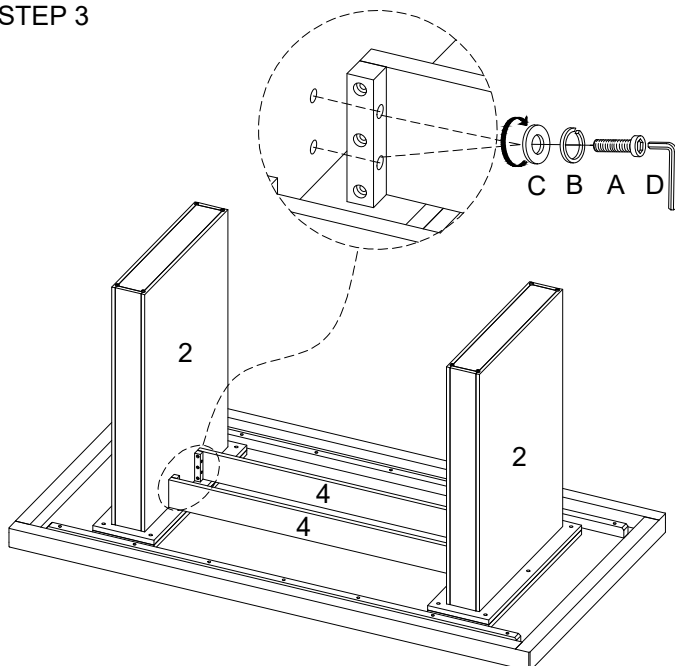


STEP 2

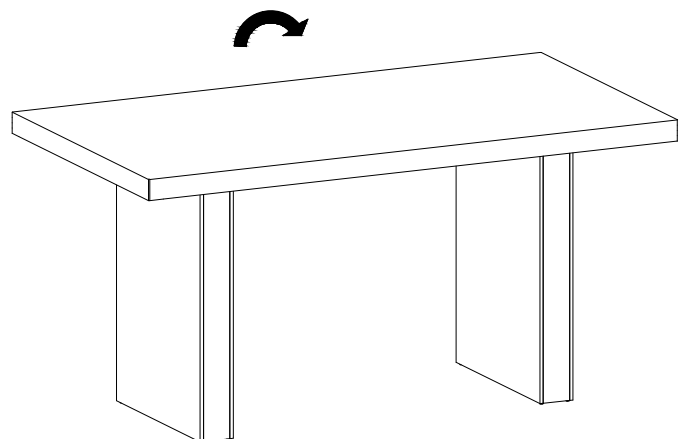
Do not tighten the screws.



STEP 3



Completed



Tighten all the screws until completely assembled.