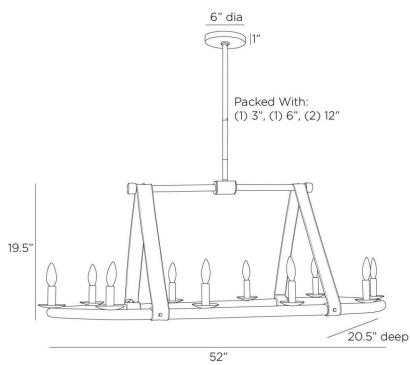


# ARTERIO RS

## ENGLEWOOD LINEAR CHANDELIER



DRI02

H: 23.5 IN, W: 52 IN, D: 20.5 IN,  
Antique Brass

Sturdy leather straps in a moss hue give this linear fixture an equestrian modern vibe. Suspended from an iron frame plated in antique brass, they hold an oval frame punctuated by ten candle-like bulbs. Finish will vary.

### APPEARANCE

Material	Iron, Leather
Finish	Antique Brass, Moss
Finish Will Vary	Yes
Top Coat/Sealant	Yes

### DIMENSIONS

Canopy	H: 1 IN, Dia: 6.00 IN
Chandelier	H: 19.5 IN, W: 52 IN, D: 20.5 IN
Minimum Hanging	H: 23.5 IN
Max Hanging Height	53.5 in

### WIRING

Rating	Damp
Cord	10 FT, Black, SVT
Socket	10, Type B - E12
Maximum Watt	40
Voltage	110-120 V

### CERTIFICATIONS

Certifications	Mexico, United Arab Emirates, European Union, United States, Canada, Australia
----------------	--

### COMPLIANCY

UL/ETL	Yes
CB	Yes
RoHS	Yes

### SHIPPING

Shipping Requirements	TruckShip
Product Weight	16.1 lbs
Gross Weight 1	23 lbs
Shipping Box 1	H: 9.2 IN, L: 58 IN, W: 28 IN

### REPLACEMENT PARTS

Replacement Part 1	PIPE-616
Replacement Part 1 Dim	(1) 3", (1) 6", (1) 12"
Replacement Part 2	CANOPY-619
Replacement Part 2 Dim	1" X 5"

### CONTRACT

Contract Suitable	Yes
-------------------	-----