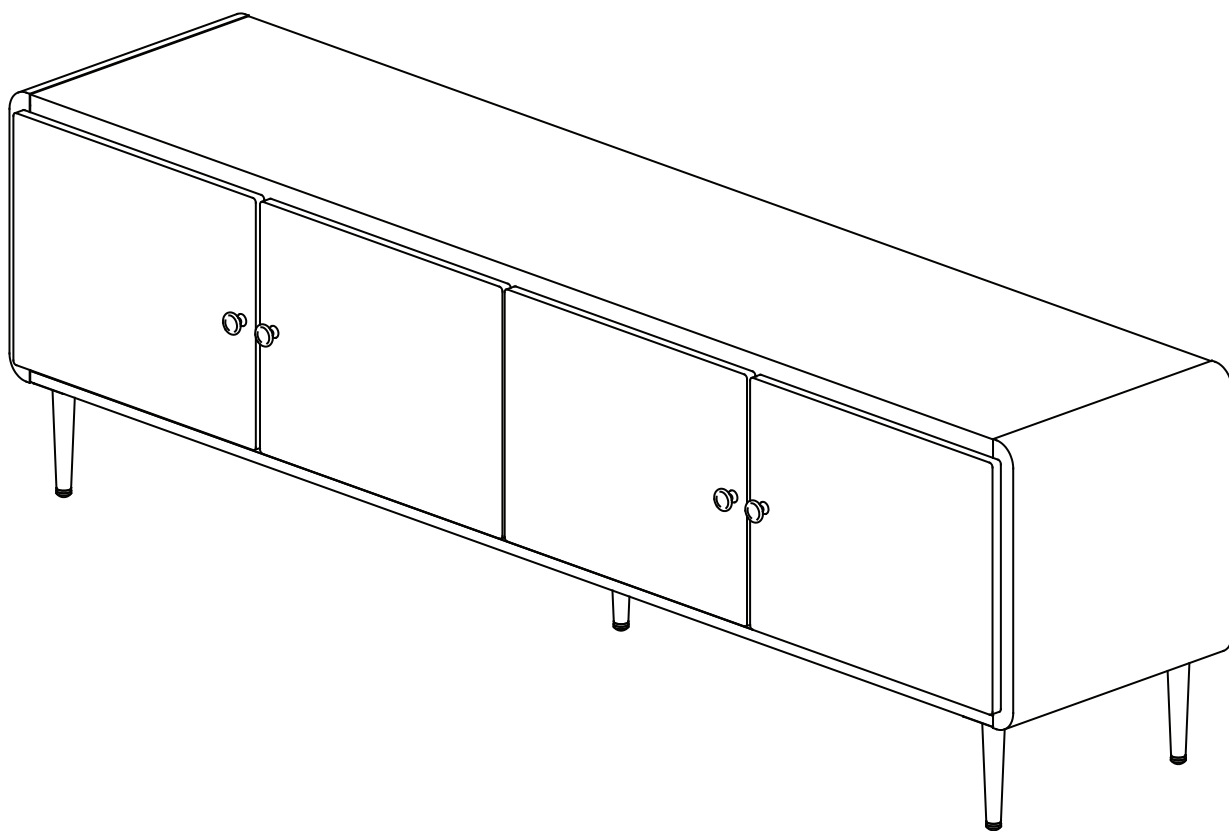


# TV CONSOLE



## ASSEMBLY INSTRUCTIONS



**60** min. assembly

**2** person

\*The estimated assembly time may vary depending on the individual.

# Hey, there

Now is assembly time!

Deeeeep breathe.... and again....  
Tools ready,  
Easy peasy!

## Estimated



**60** min. assembly  
**2** person

## Tools Required

- Flathead screwdriver (not included)
- Phillips screwdriver (not included)
- Power Drill (not included)

important: Cautious when you use power tools

Thank you for purchasing this product. This product has been manufactured with the highest standards of safety and quality.

### **PLEASE READ ALL INSTRUCTIONS CAREFULLY BEFORE ASSEMBLY.**

Unpack all parts from the packaging inside the carton to ensure there are no missing or damaged parts. Lay out all the cabinet parts on a clean, flat, and soft surface to prevent scratches. Refer to the steps provided as assembling guide.

Do not attempt to assemble or use the product if any parts are missing or damaged.

## **REMINDERS**

### **SAFE USAGE IS KEY**

Your well-being is our top priority when you use our product. Please prioritize your safety by diligently following the assembly guidelines and inspecting the product carefully both when it arrives and before each use.

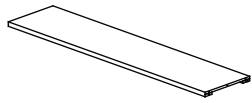
Please be aware that we cannot be held liable for any injuries or fatalities that occur due to not adhering to the provided instructions or misuse of the product.

### **DO NOT MODIFY**

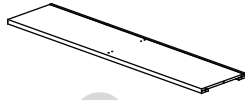
Our products undergo rigorous testing to ensure they meet established safety standards before being released for sale. Altering the product in any way can lead to serious safety concerns, for which we cannot assume responsibility.

# What's in the box

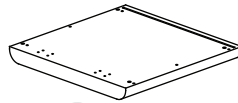
## Parts



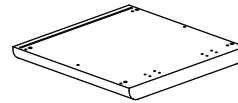
**1** X 1  
Top Panel



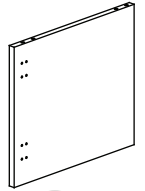
**2** X 1  
Bottom Panel



**3** X 1  
Side Panel-L

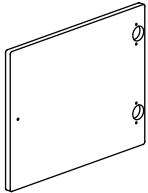


**4** X 1  
Side Panel-R

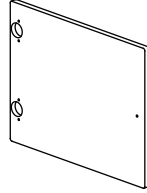


**5** X 1  
Stand Panel

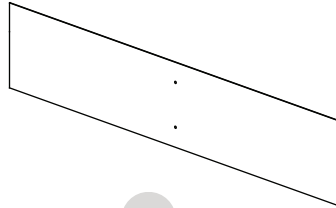
Lorem ipsum



**6** X 2  
Door Panel-L

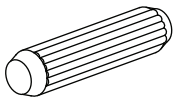


**7** X 2  
Door Panel-R

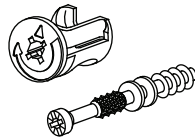


**8** X 1  
Back Panel

## Hardware & Accessory



**A** X 12+2  
Wood Dowel  
M8x25mm



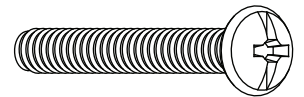
**B** X 14+2  
15mm Minifix



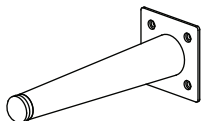
**C** X 2  
M5x40mm  
Screw



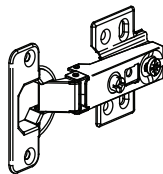
**D** X 4  
Handle 1604



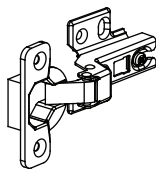
**E** X 4  
Handle Screw  
M4x20



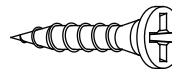
**F** X 5  
Leg LG9023



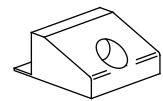
**G** X 4  
Hinges (F011)



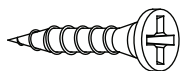
**H** X 4  
Hinges (F012)



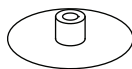
**I** X 70+4  
M3.5x16mm  
Screw



**J** X 4  
Z Bracket  
(Small)

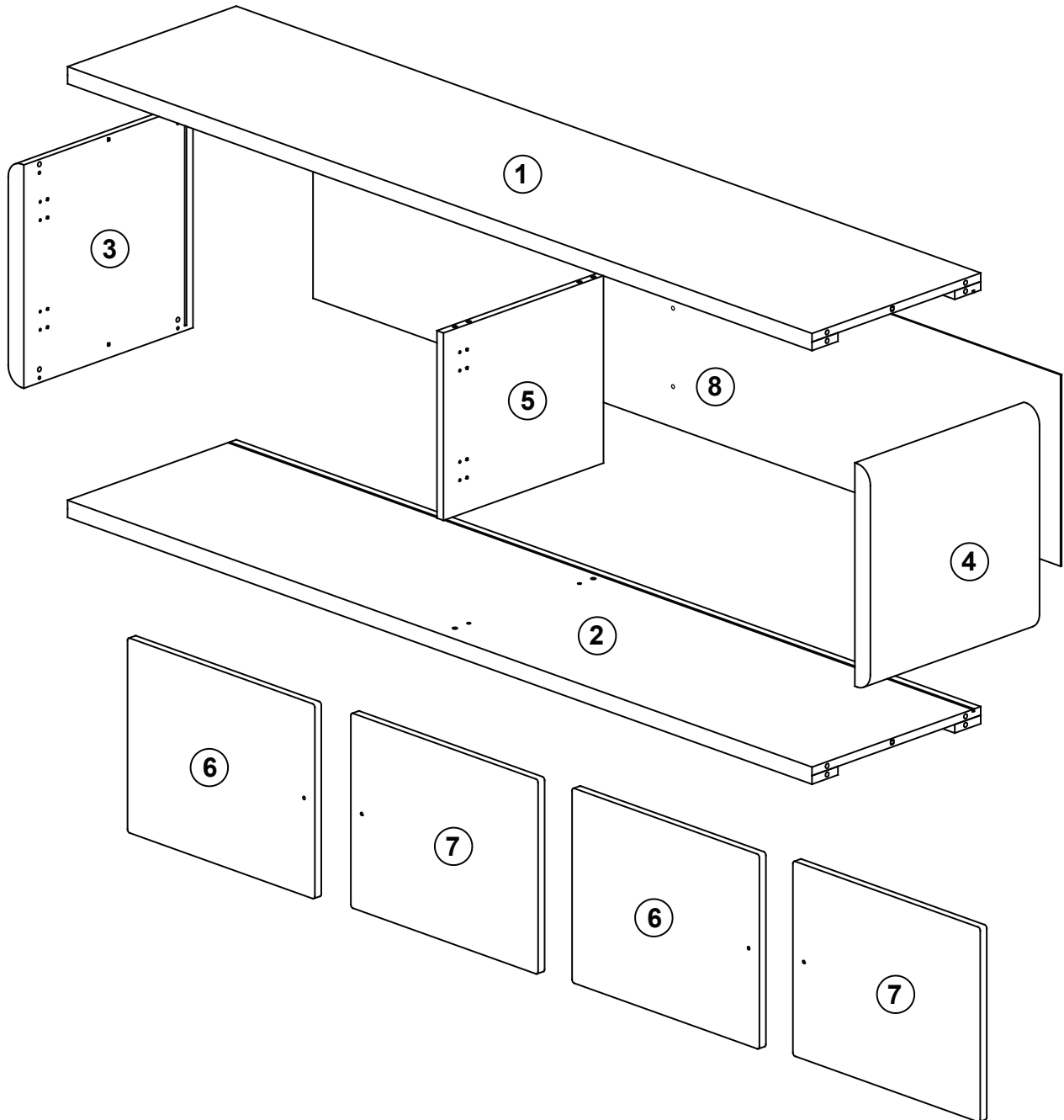


**K** X 4  
M3x16mm  
Screw



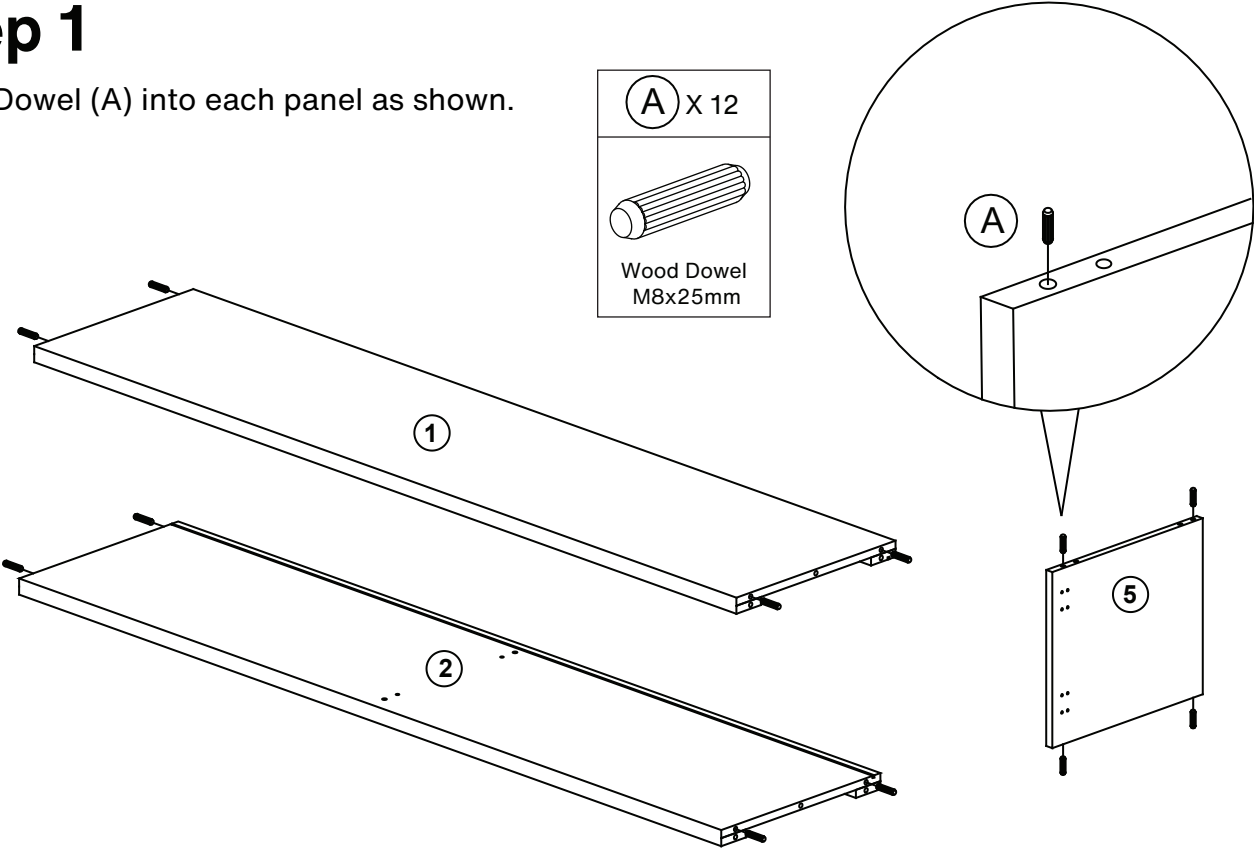
**L** X 2  
Minifix Cap

# Assembly



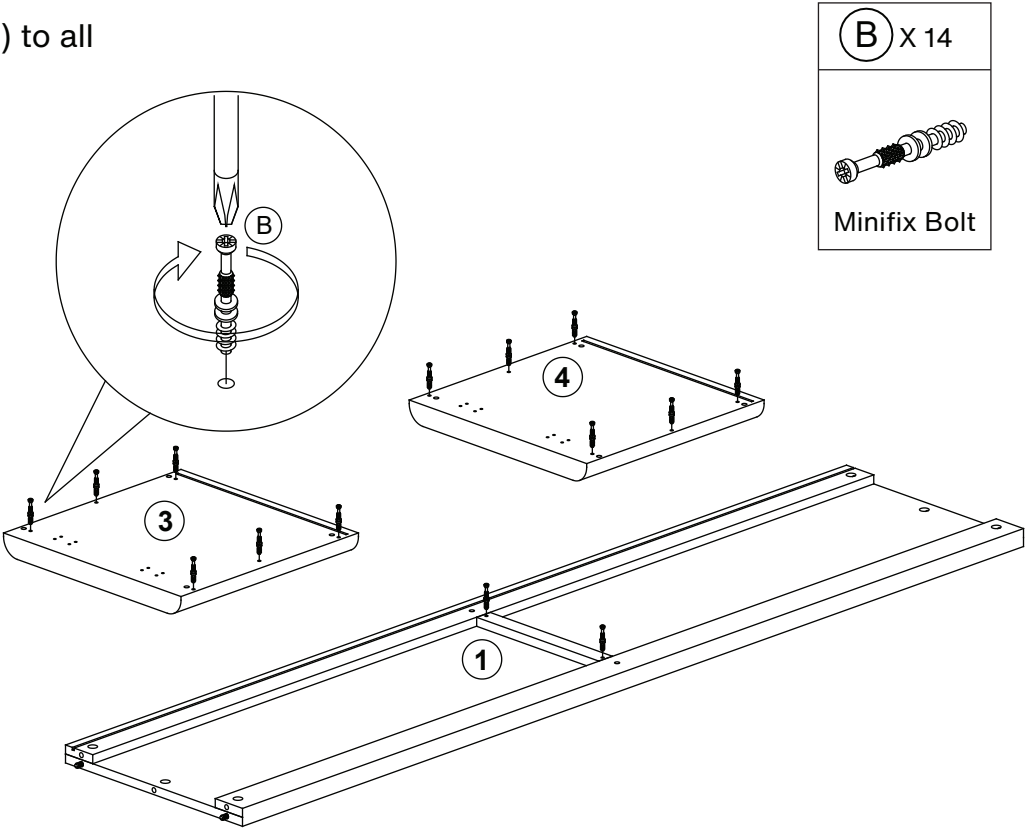
# Step 1

Insert Dowel (A) into each panel as shown.



# Step 2


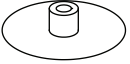
Install Minifix Bolt (B) to all panels as shown.

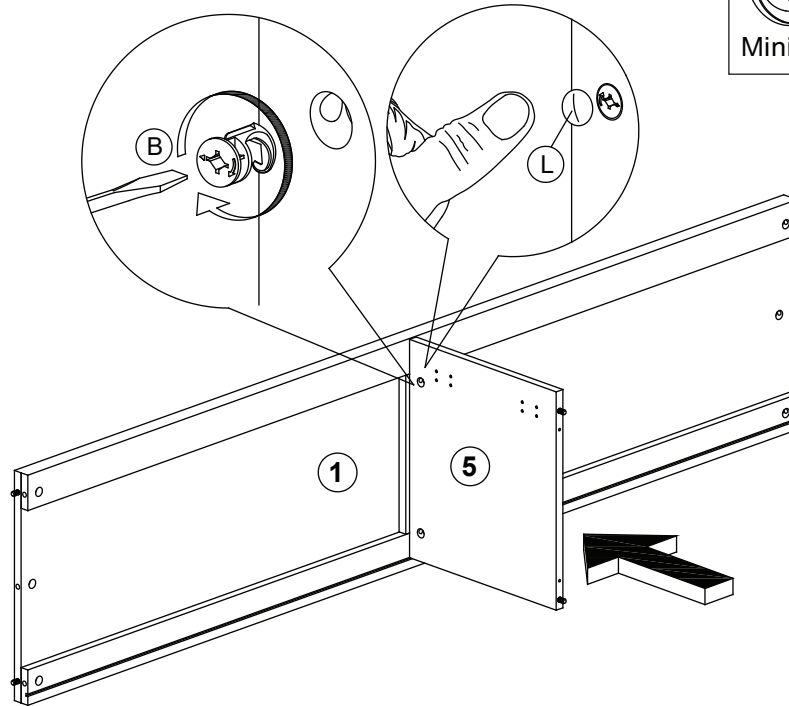


# Step 3

Assemble Stand Panel (5) and Top Panel (1).  
Secure with Minifix Cam (B).


Attach Minifix Cap (L) as shown.

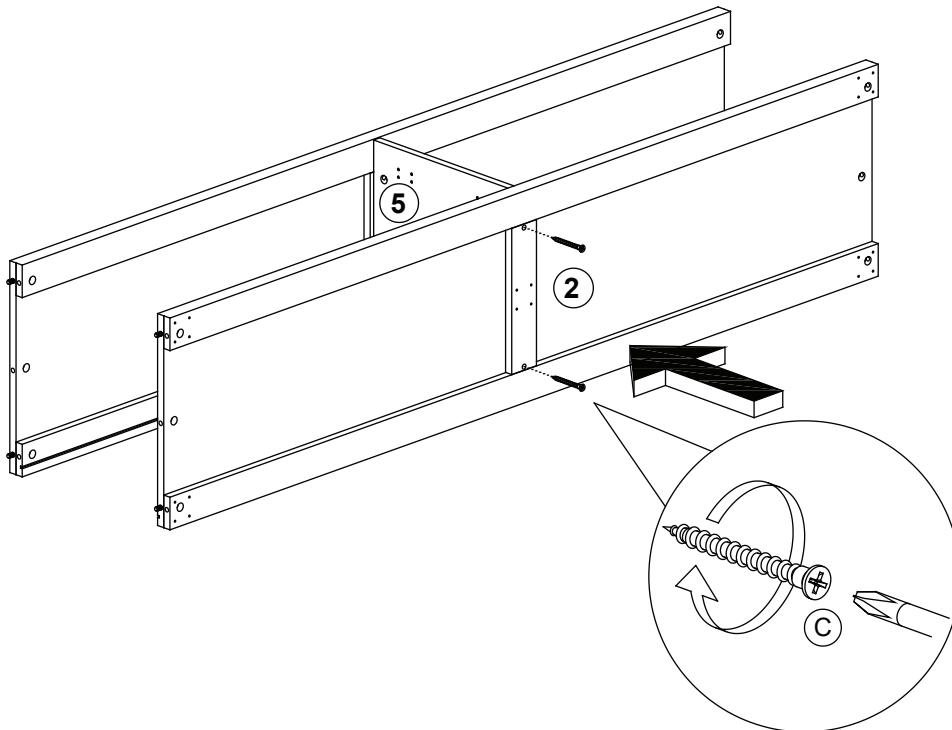
<b>B</b> x 2	<b>L</b> x 2
	
Minifix Cam	Minifix Cap



# Step 4

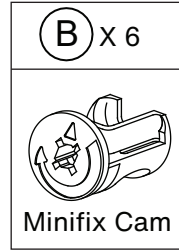
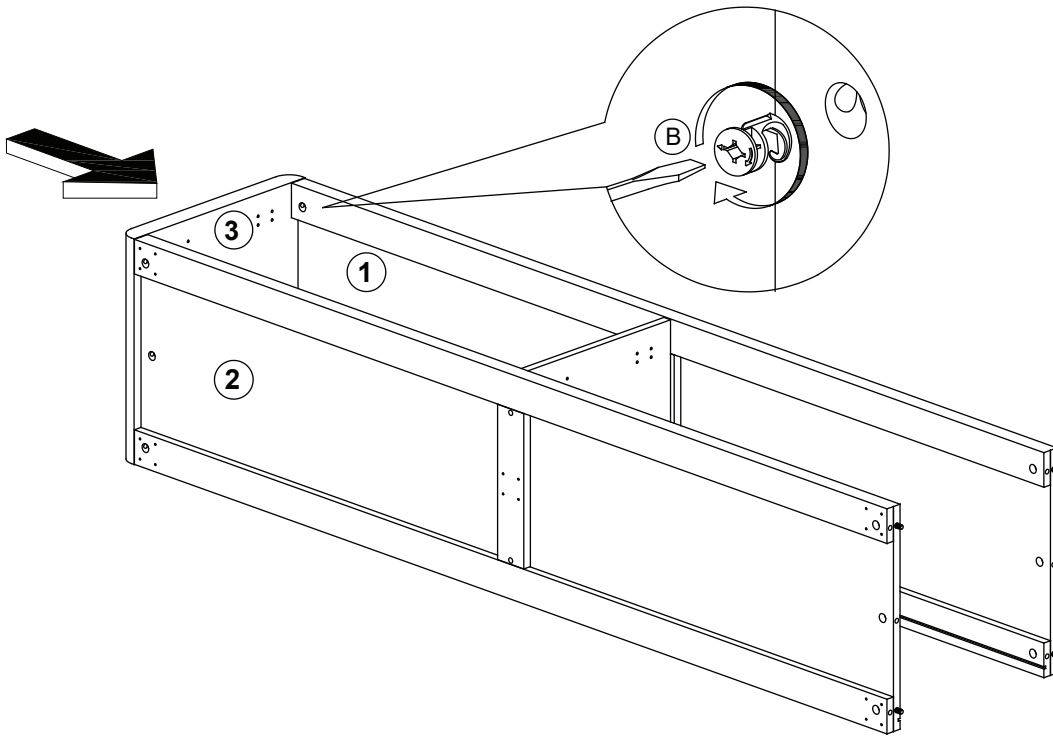
Assemble Bottom Panel (2) to Stand Panel (5).  
Secure with Screw (C) as shown.

<b>C</b> x 2

M5x40mm Screw



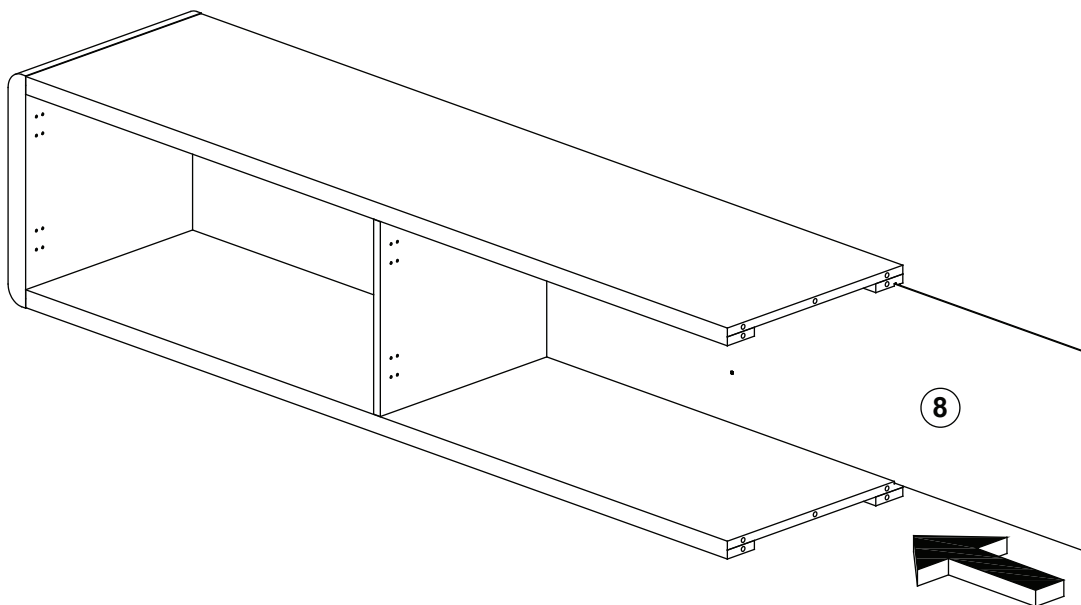
# Step 5

Assemble Side Panel-L (3) to Top Panel (1) and Bottom Panel (2).  
Secure with Minifix Cam (B) as shown.



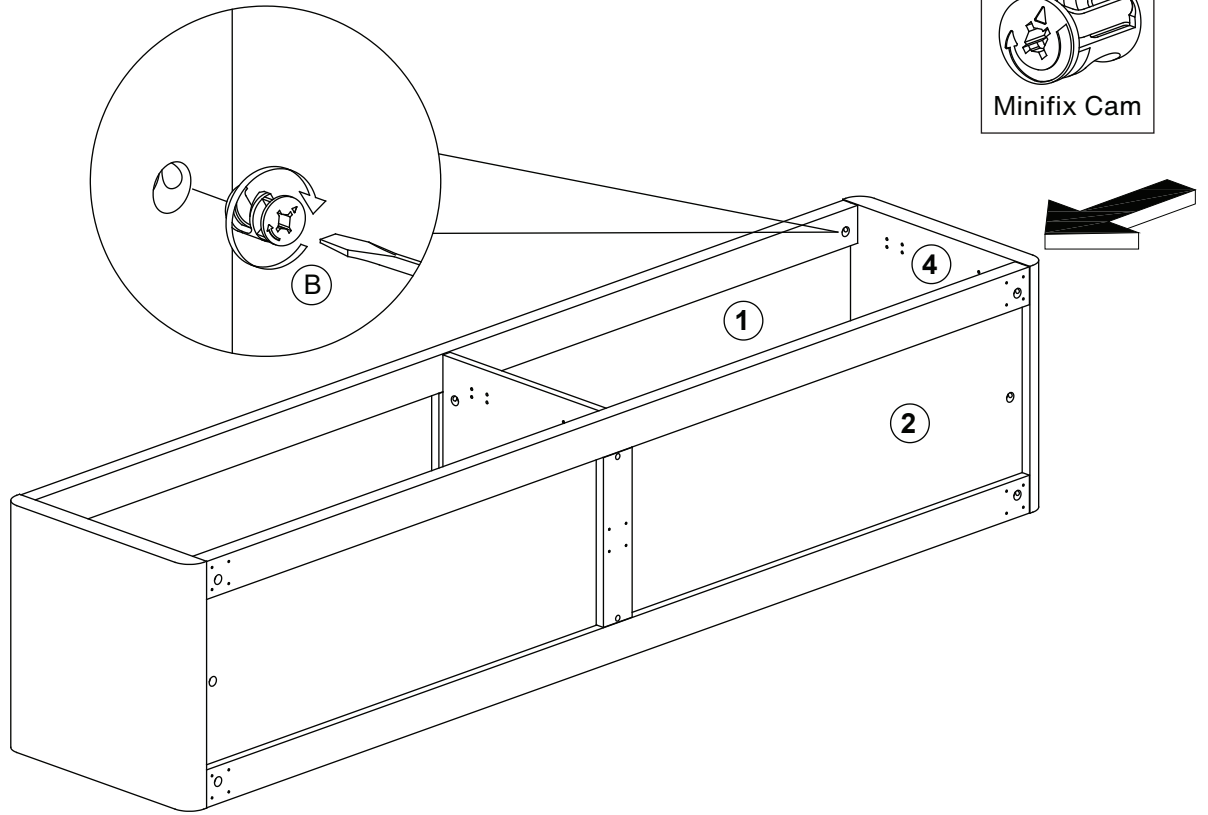
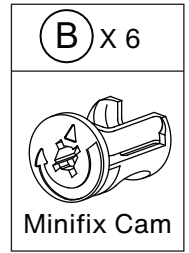
# Step 6

Stand the cabinet upright to insert the Back Panel (8) as shown.



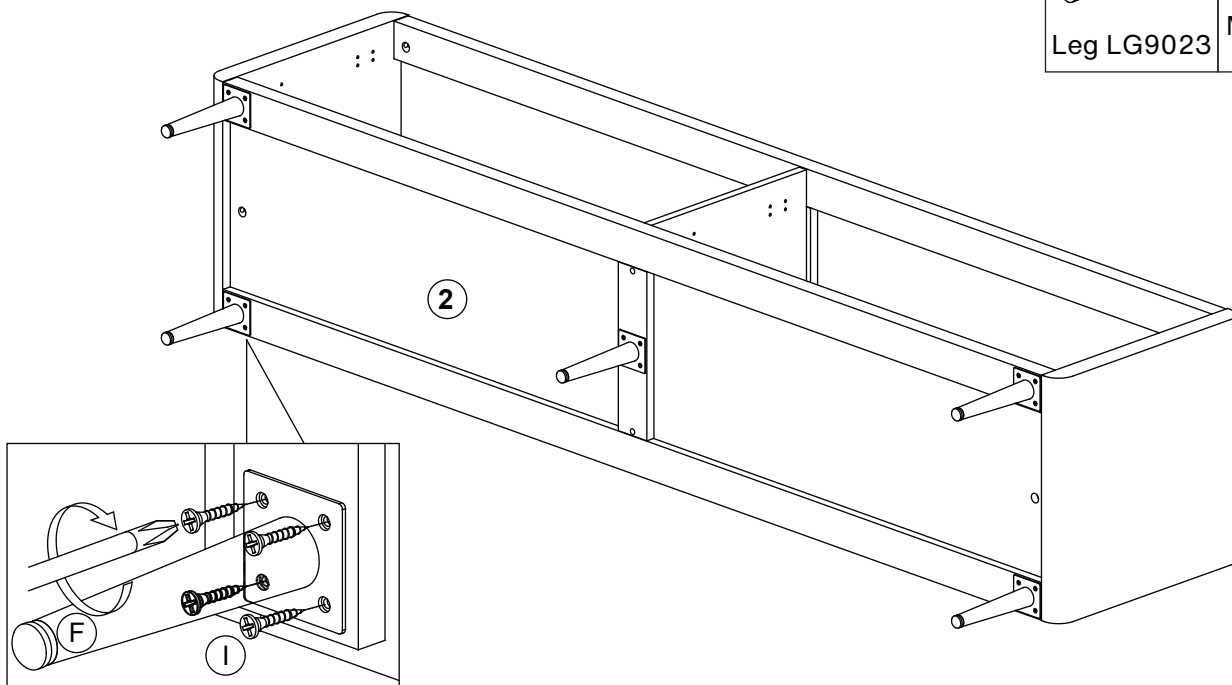
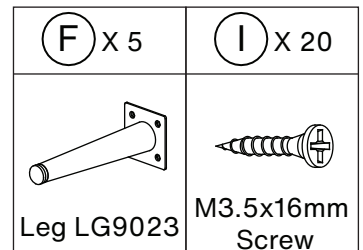
# Step 7

Lay the cabinet down to assemble Side Panel-R (4) to Top Panel (1) and Bottom Panel (2). Secure with Minifix Cam (B) as shown.



# Step 8

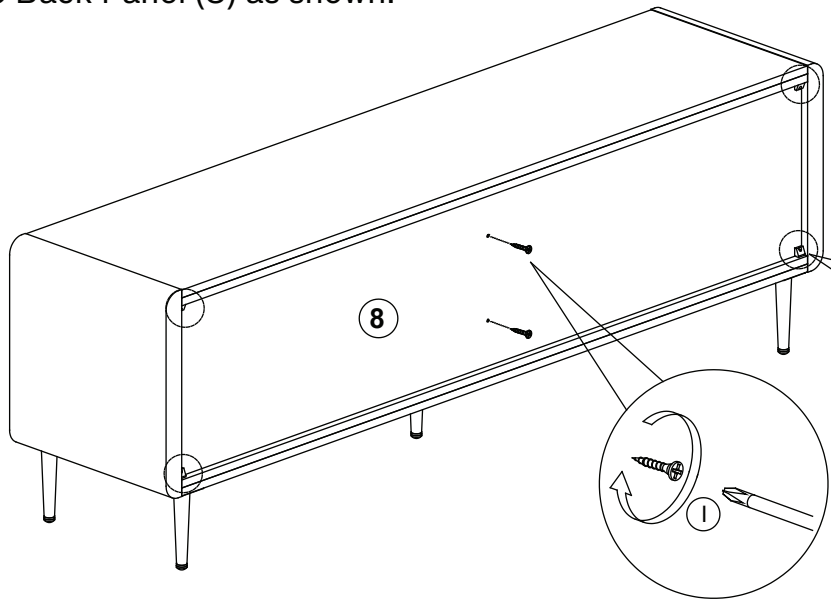
Attach Leg (F) to Bottom Panel (2) using Screw (I)

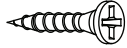
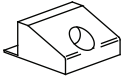
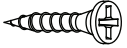


# Step 9

Install Screw (I) to Back Panel (8).

Install Z Bracket (J) and secure with Screw (K) to Back Panel (8) as shown.

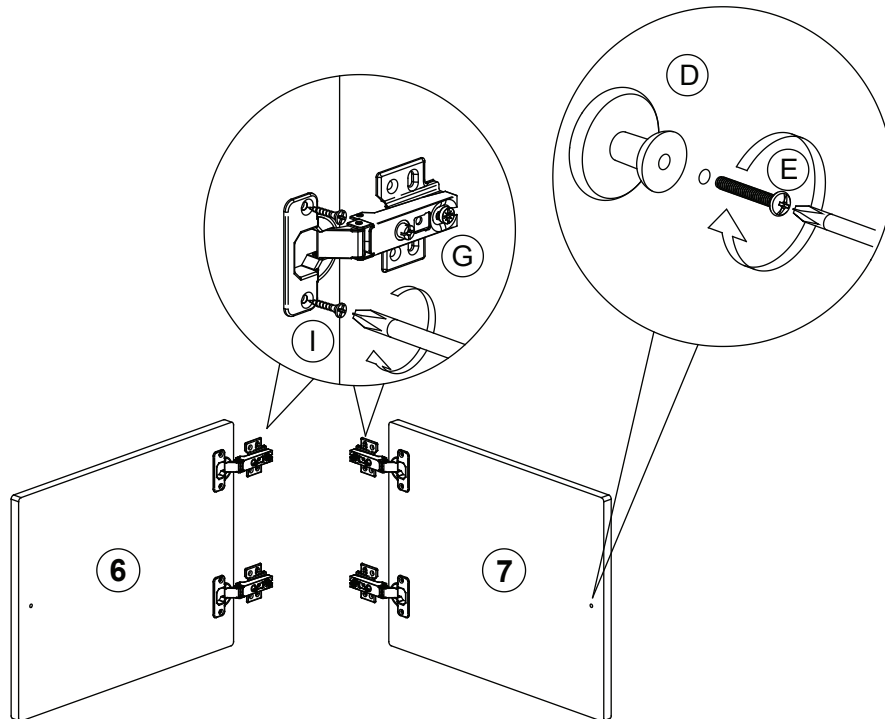


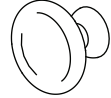

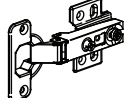
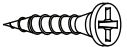
(I) x 2	(J) x 4	(K) x 4
		
M3.5x16mm Screw	Z Bracket (Small)	M3x16mm Screw

# Step 10

Install Hinge (G) to Door Panels (6) and (7) secure with Screw (I) as shown.

Install Handle (D) to each Door and secure with Screw (E).







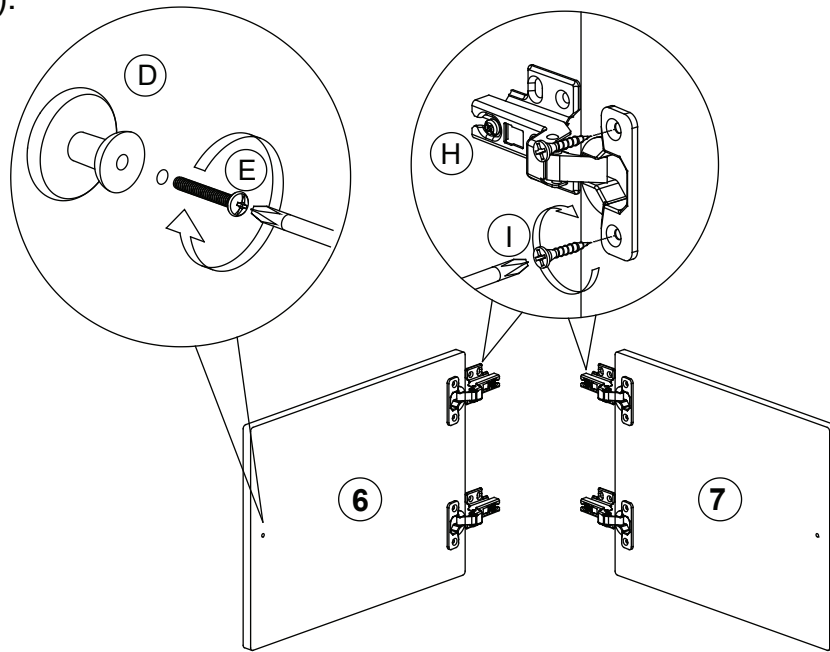
(D) x 2	(E) x 2	(G) x 4	(I) x 8
			
Handle 1604	Handle Screw M4x20	Hinges (F011)	M3.5x16mm Screw

# Step 11

Install Hinge (H) to Door Panels (6) and (7) secure with Screw (I) as shown.

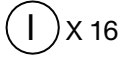
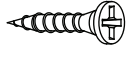
Install Handle (D) to each Door and secure with Screw (E).

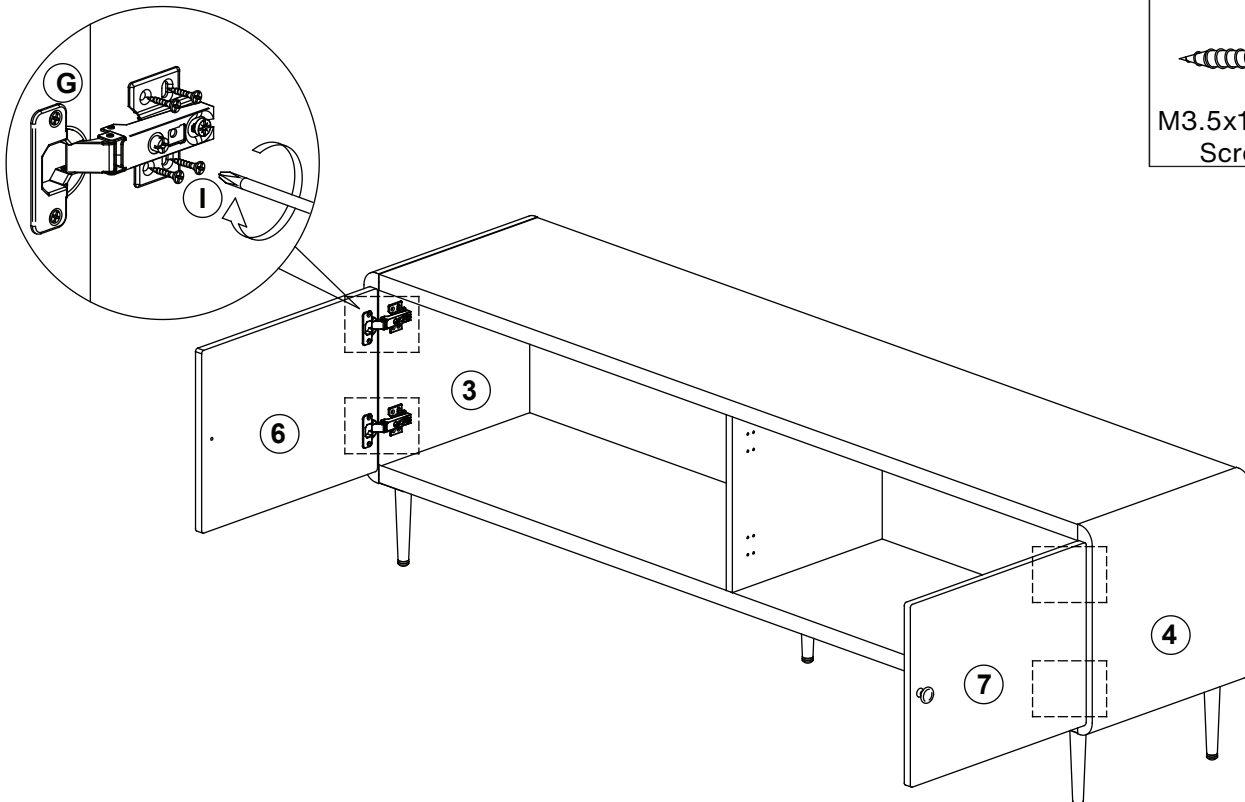
 (D) x 2	 (E) x 2	 (H) x 4	 (I) x 8
Handle 1604	Handle Screw M4x20	Hinges (F012)	M3.5x16mm Screw



# Step 12

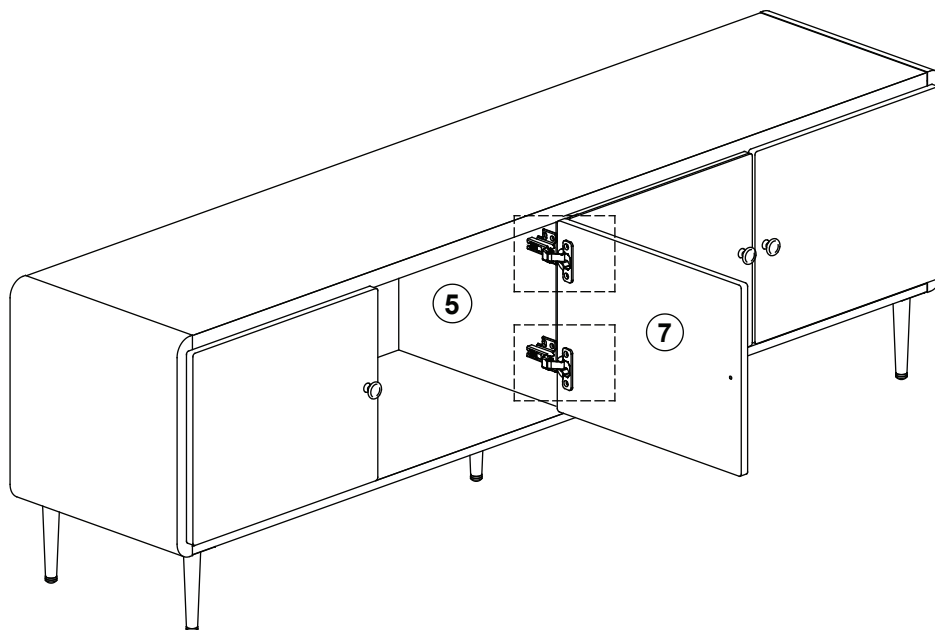
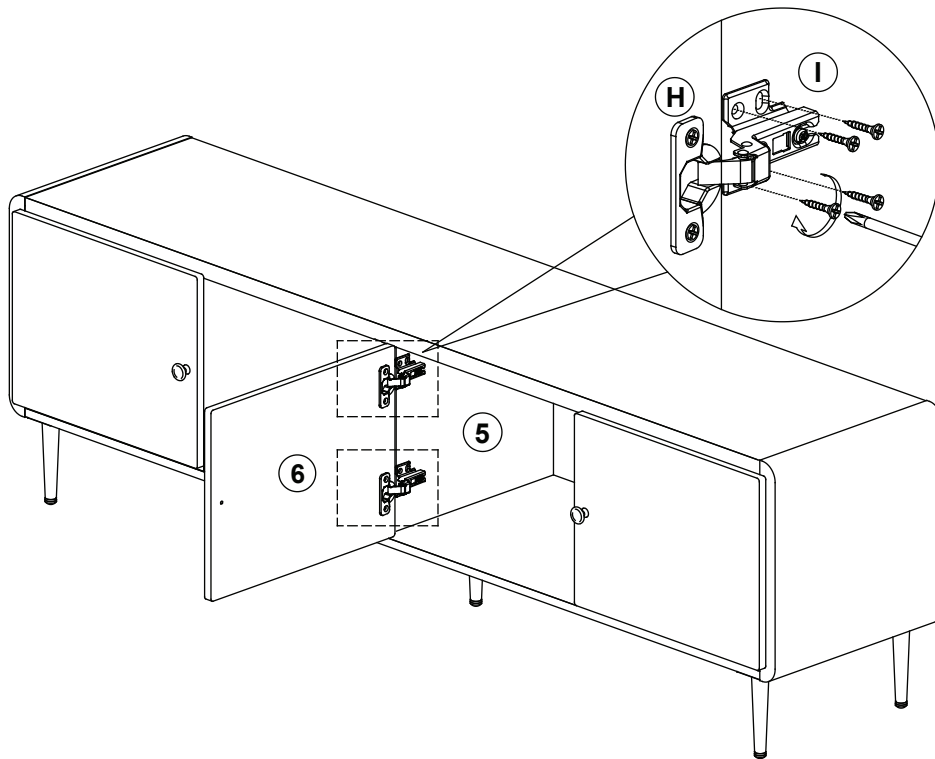
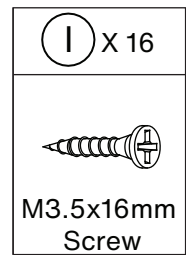
Attach Door Panel-L (6) to Side Panel-L (3) and Door Panel-R (7) to Side Panel-R (4) using Hinges (G). Secure both with Screws (I).

 (I) x 16

M3.5x16mm Screw



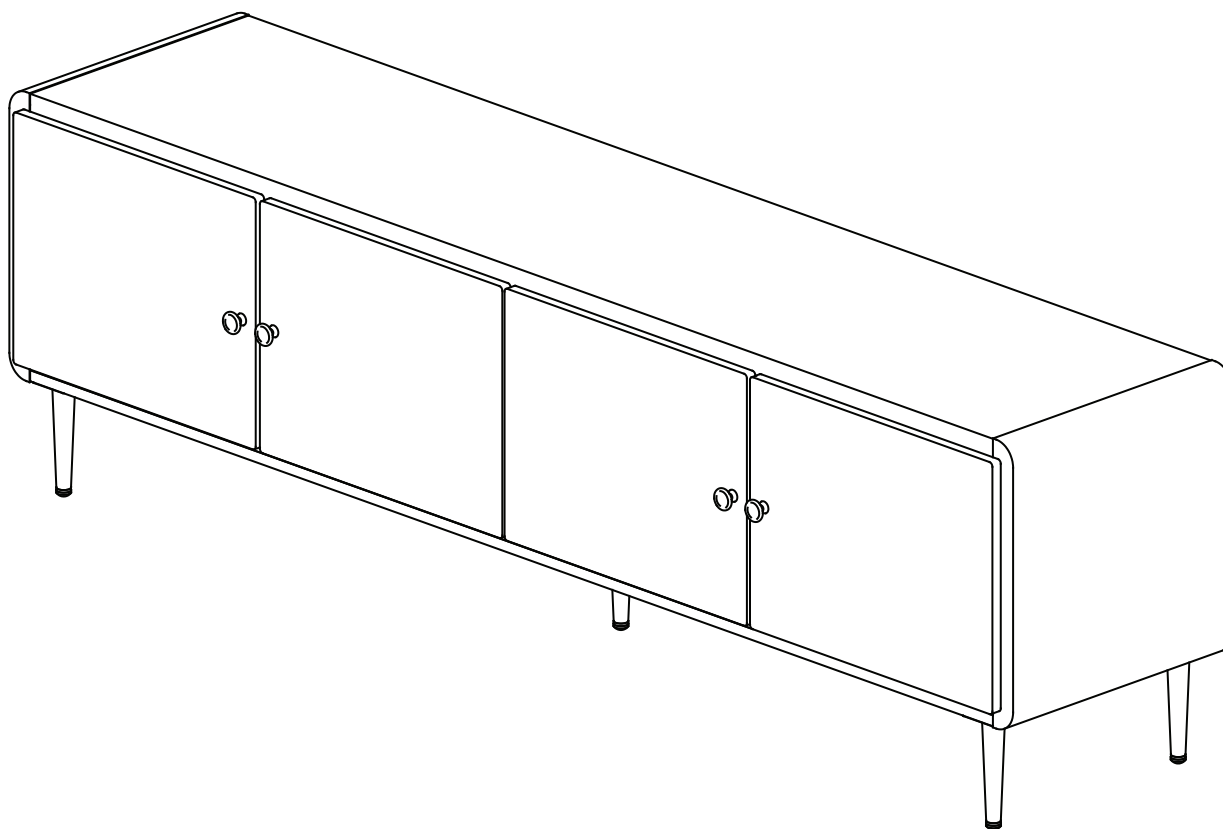
# Step 13

Attach Door Panel-L (6) and Door Panel-R (7), which use Hinges (H), to Stand Panel (5). Secure both doors with Screws (I)



# VOILA!

Now enjoy.



## Warning

DO NOT sit or stand on the tv cabinet as this may damage the product and cause serious bodily injury.

# Something not right?

We are always here to help.

## **We make mistakes like every human does.**

Though we always strive to provide the best possible products at competitive prices and the best service in the industry, it's not possible to completely eliminate mistakes. If you experience any dissatisfaction, feel free to contact us immediately. Our in-house customer care team will respond ASAP.

## **Things to do to expedite the process**

- Have your order# ready
- Take photos/videos to help us better identify the issues
- DO NOT throw away the packaging