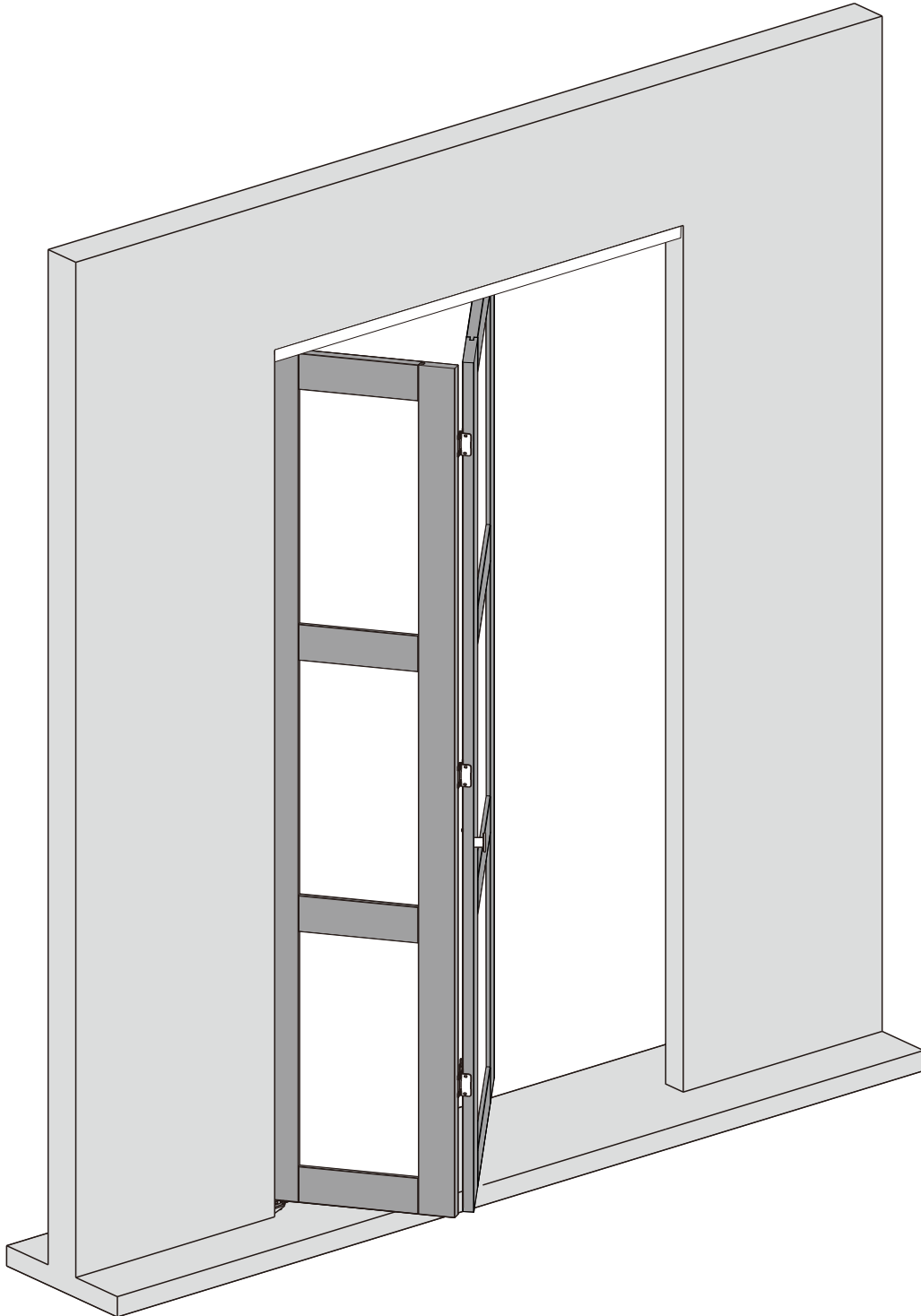


Installation Manual

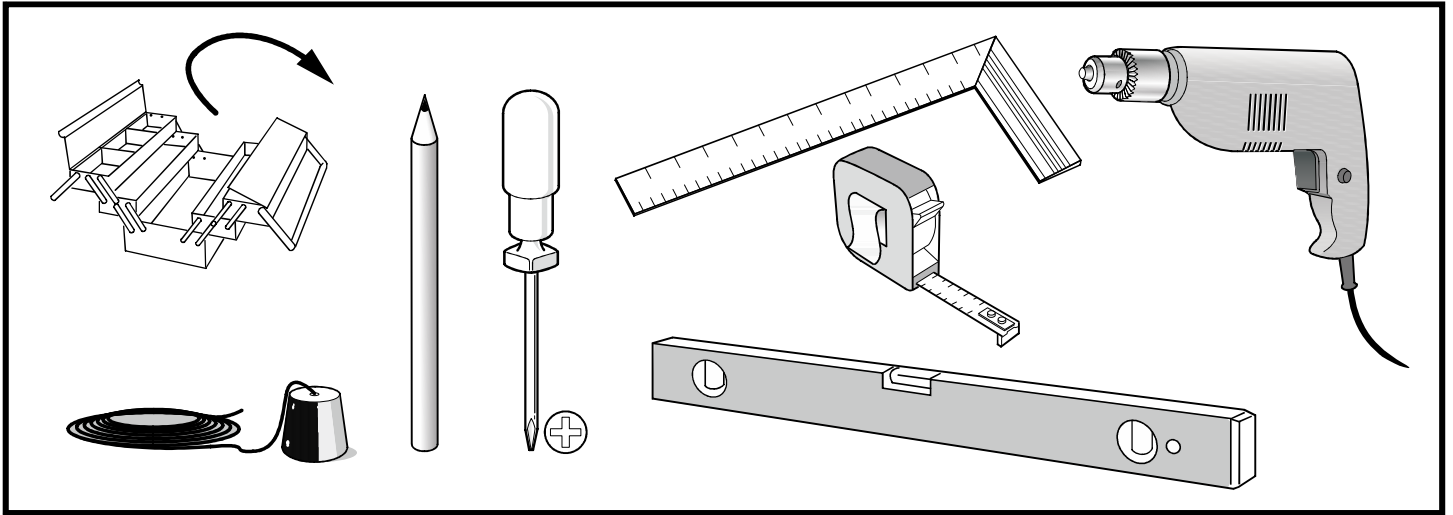
Please note we are always ready to support you. Don't hesitate to contact us when you have any questions, we will try our best to resolve your issue ASAP.

(yoursupport@163.com)

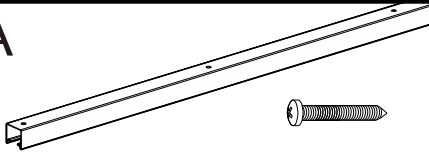
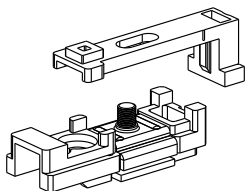
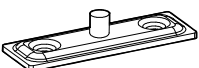
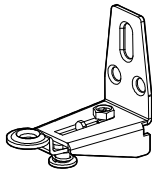
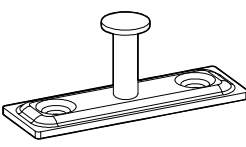

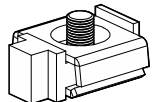
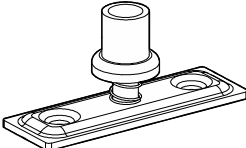

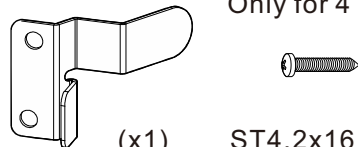
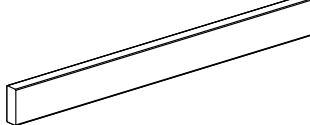



Pre-installation

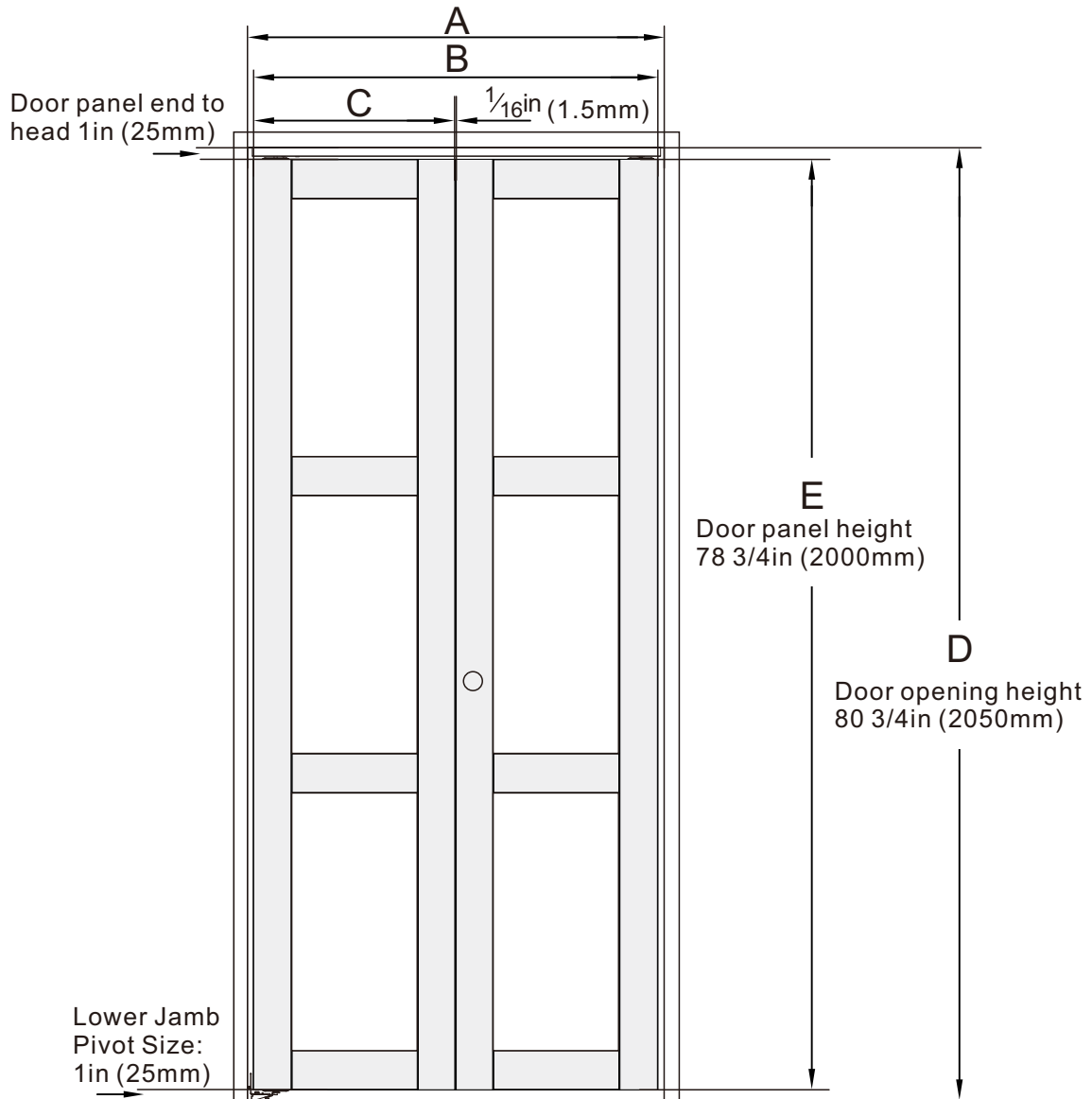
TOOLS REQUIRED



HARDWARE INCLUDED

| | | |
|---|--|--|
| <p>A</p>  <p>(x1) ST4.2x32</p> | <p>B</p>  <p>(x1)</p> | <p>C</p>  <p>(x1)</p> |
| <p>D</p>  <p>(x1)</p> | <p>E</p>  <p>(x1)</p> | <p>F</p>  <p>(x3) ST4.2x16 (x12)</p> |
| <p>G</p>  <p>(x1)</p> | <p>H</p>  <p>(x1)</p> | <p>I</p>  <p>(x1) ST4.2x32 (x1)</p> |
| <p>J</p>  <p>Only for 4 door (x1) ST4.2x16 (x2)</p> | <p>K</p>  <p>(x1)</p> |  <p>(x1) ST4.2x25 (x9)</p> |

Installation



| Option Size | A Door Opening Width | B Door Panel Width | C Single Door Panel Width | D Door Opening Height | E Door Pane Height |
|----------------------------|----------------------|----------------------|---------------------------|-----------------------|---------------------|
| 24in * 78 $\frac{3}{4}$ in | 24in | 23 $\frac{1}{2}$ in | 11 $\frac{3}{4}$ in | 80 $\frac{3}{4}$ in | 78 $\frac{3}{4}$ in |
| 30in * 78 $\frac{3}{4}$ in | 30in | 29 $\frac{1}{2}$ in | 14 $\frac{11}{16}$ in | 80 $\frac{3}{4}$ in | 78 $\frac{3}{4}$ in |
| 36in * 78 $\frac{3}{4}$ in | 36in | 35 $\frac{7}{16}$ in | 17 $\frac{11}{16}$ in | 80 $\frac{3}{4}$ in | 78 $\frac{3}{4}$ in |

Installation

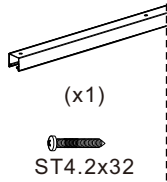
1

Fasten track 3/4" (19mm) from front edge of head jamb.

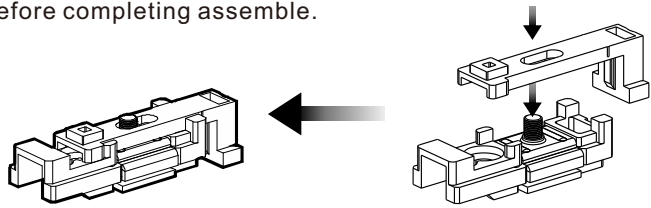


Those two parts do not locked into the holes of the track, And do not full tighten screws before completing assemble.

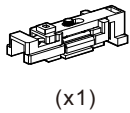
A



ST4.2x32

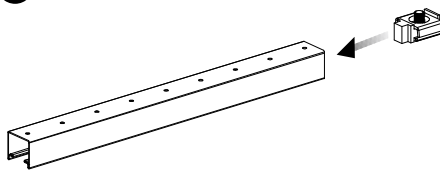


B

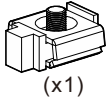


1

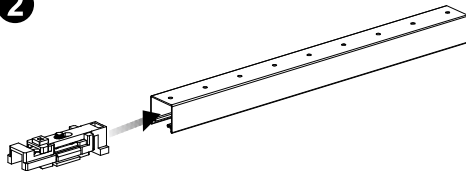
2X DOOR



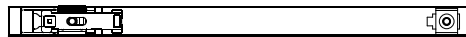
G



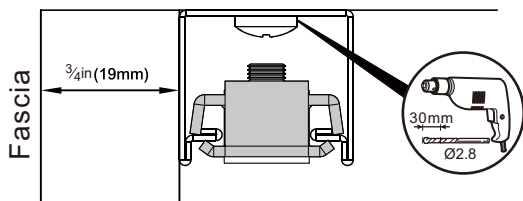
2



top view

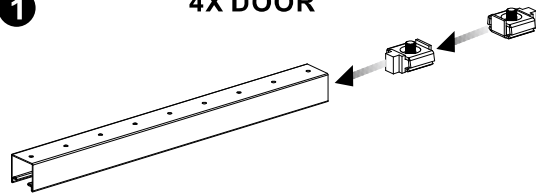


3

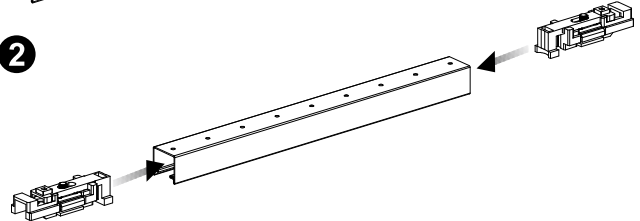


1

4X DOOR



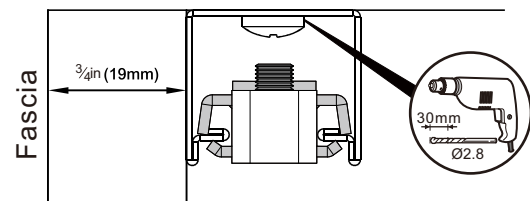
2



top view

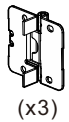


3



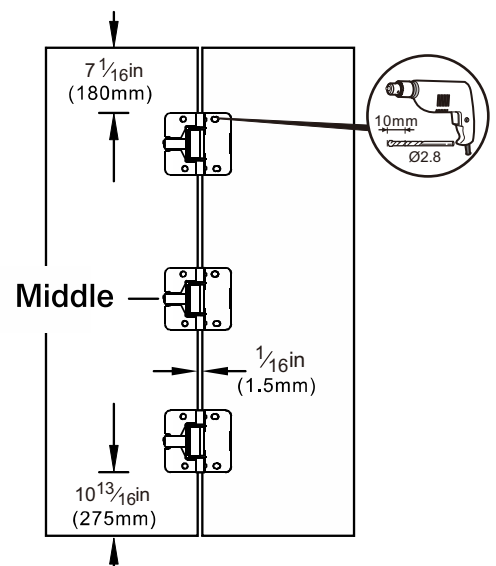
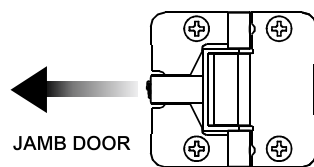
2

F



ST4.2x16 (x12)

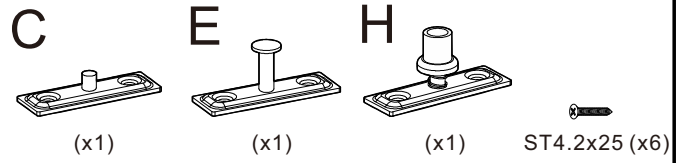
Lay door panels face down on a flat surface and fasten hinges onto the back of panel.



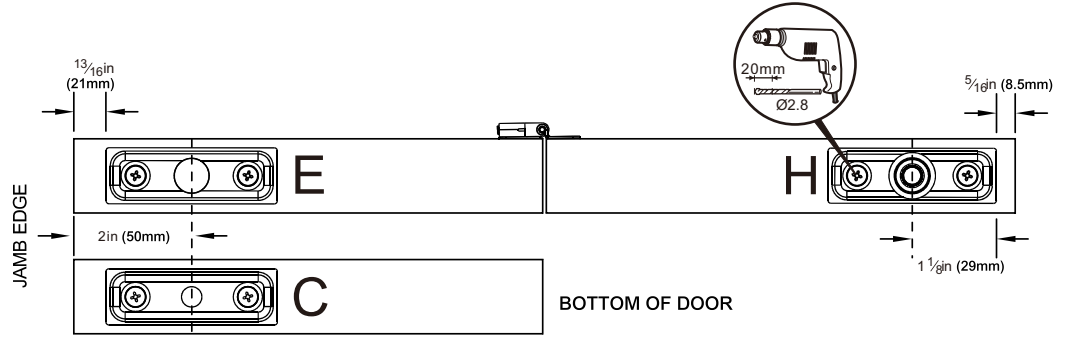
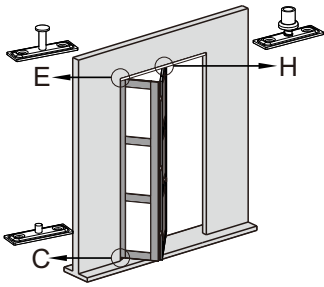
Installation

3

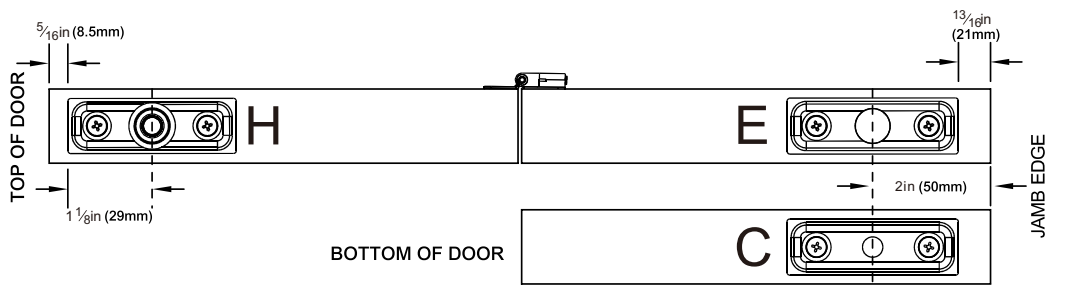
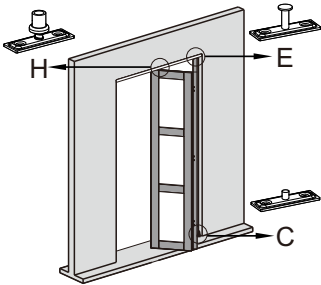
Install pivot plates to top and bottom of door panel as shown.



2 X DOOR LEFT HAND SWING



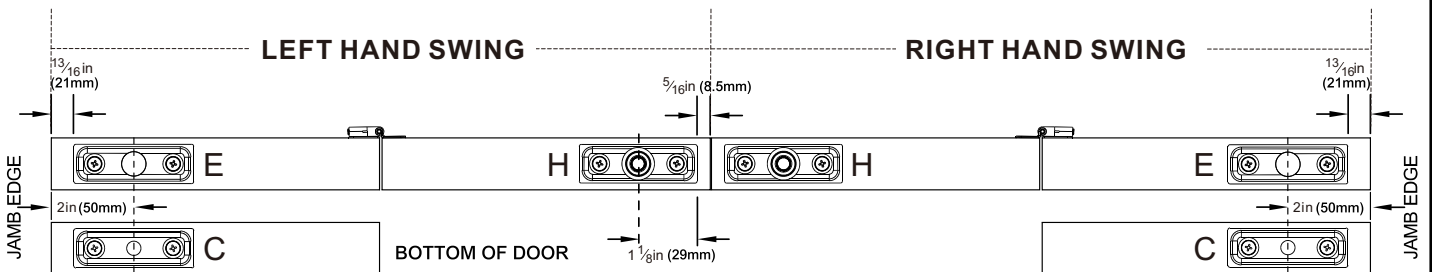
RIGHT HAND SWING



4 X DOOR

LEFT HAND SWING

RIGHT HAND SWING



Installation

4

D

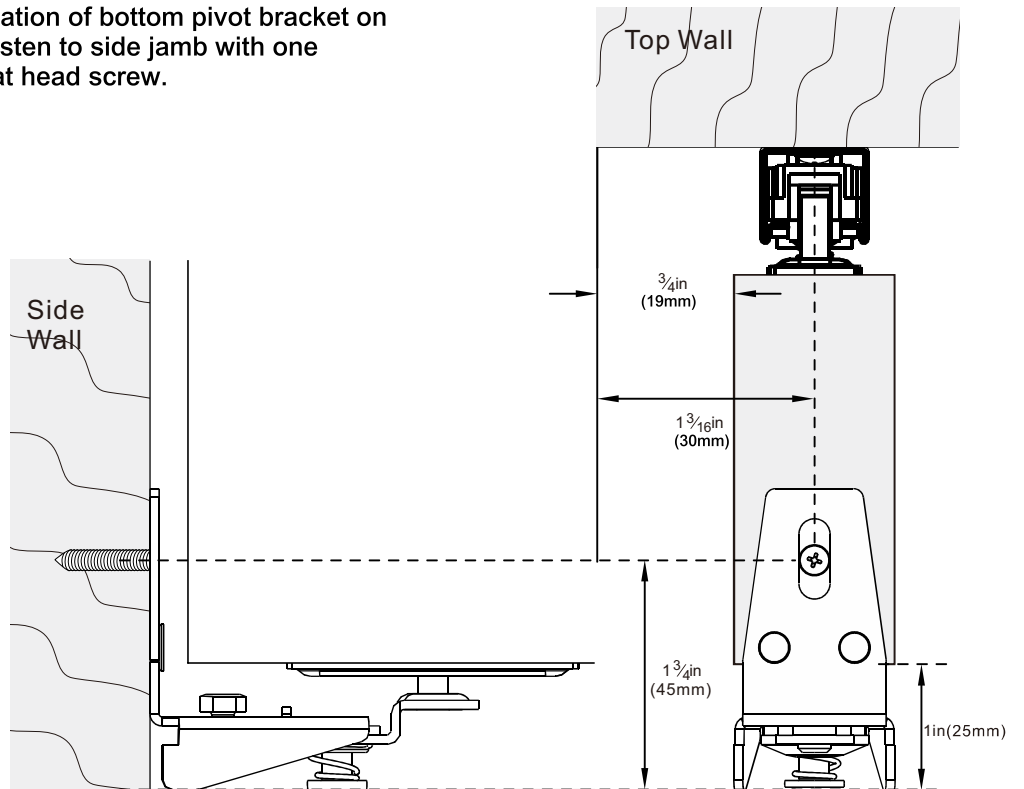


(x1)

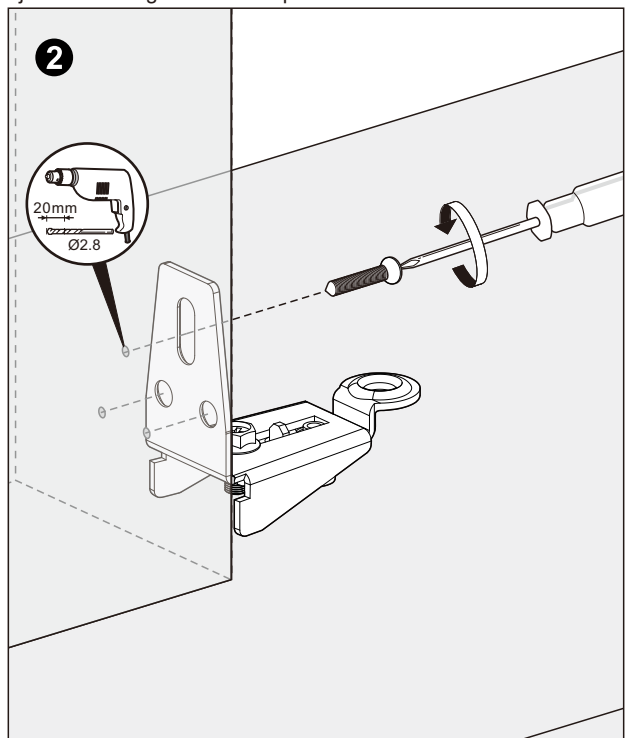
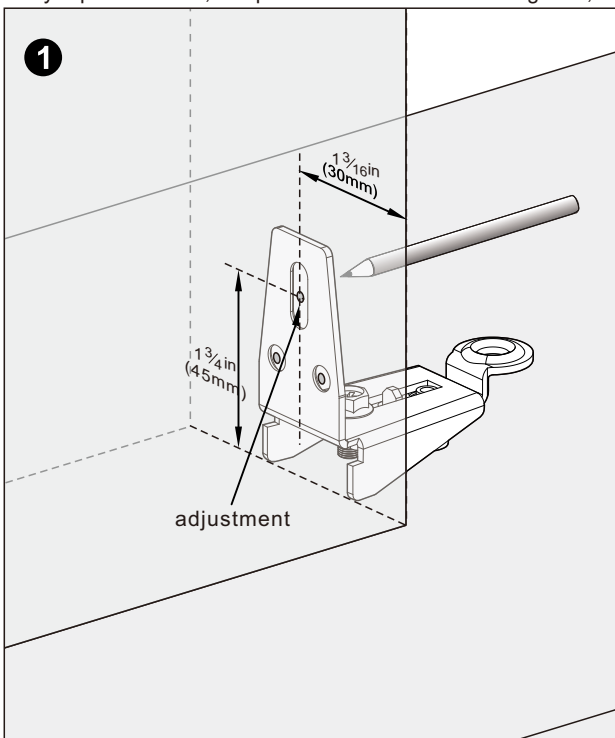


ST4.2x25 (x1)

Mark hole location of bottom pivot bracket on side jamb. Fasten to side jamb with one ST4.2 X 25 flat head screw.



Only top screw first, and please do not screws full tighten, it need adjustment height refers step 5.



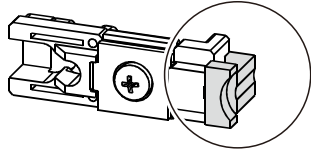
Installation

5

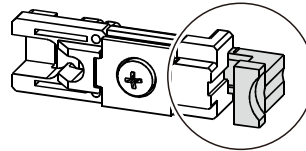
Note: Ensure track bracket lock is in the unlocked position.

ST4.2x25 (x2)

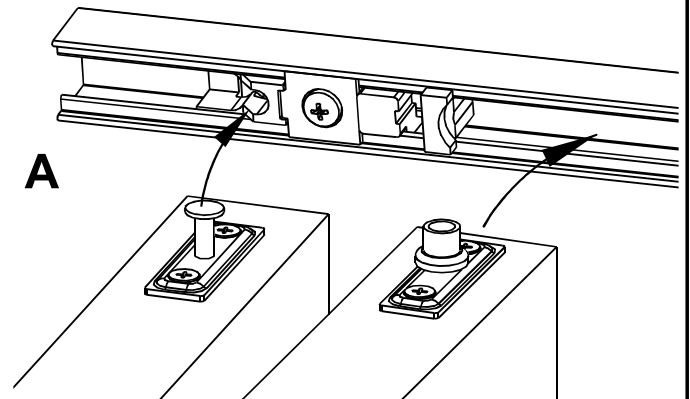
lock



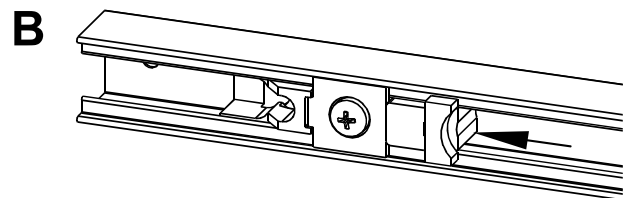
unlock



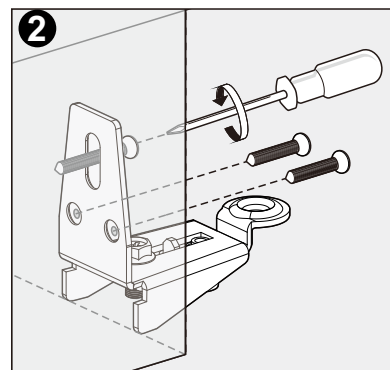
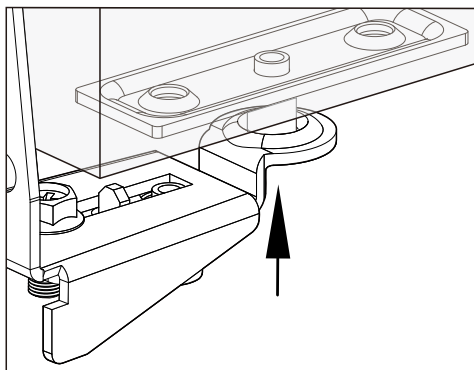
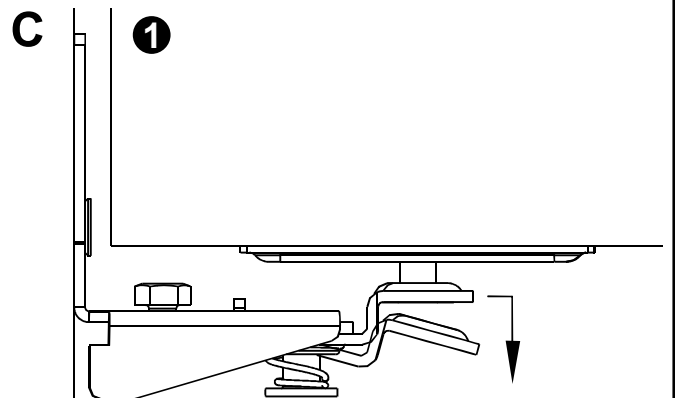
(A) Fold door and place panel guide into track. Insert top pivot pin into receptor of track bracket lock and firmly seated.



(B) Slide tab lock toward pin so that door panel is hanging from top pivot pin.



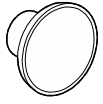
(C) Depress bottom pivot bracket socket arm and insert bottom pivot pin. Secure bottom pivot bracket with other 2 screws. Use a wrench for horizontal adjustment through track bracket lock and bottom pivot bracket.



Installation

6

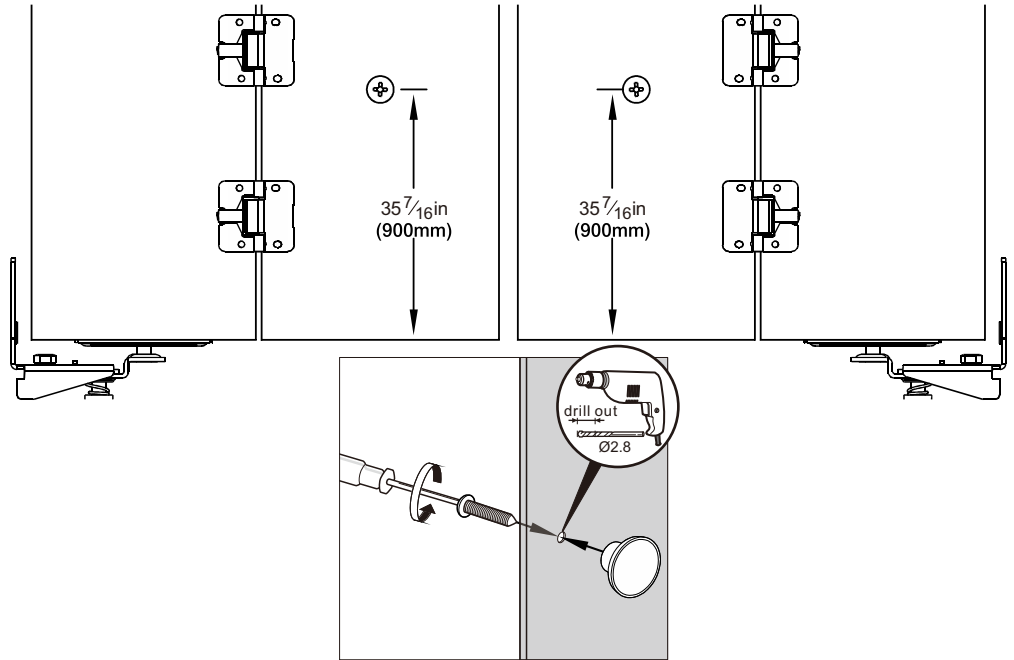
Install door pull.



(x1)

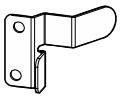


ST4.2x32 (x1)



7

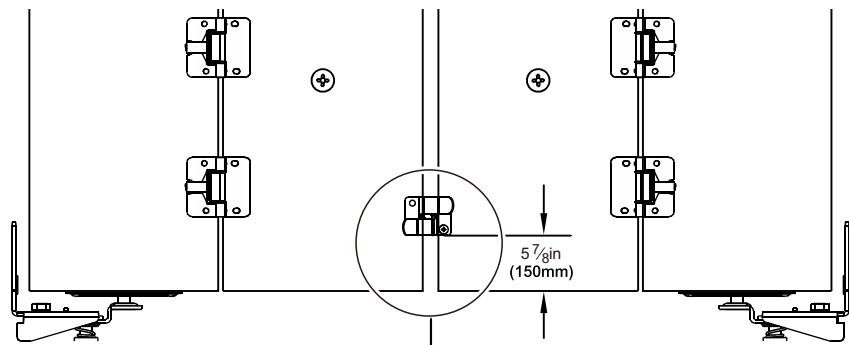
Mount aligner on back side of lead doors.
(4 door sets only)



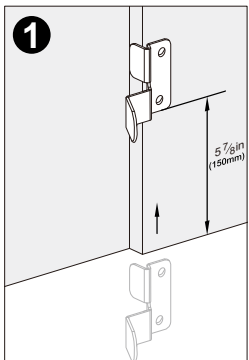
(x2)



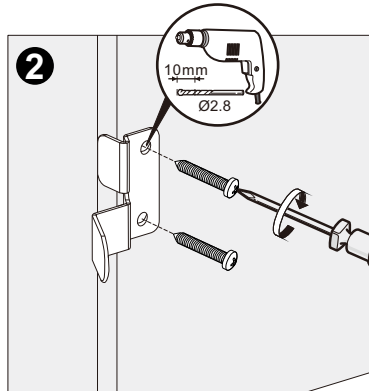
ST4.2x16 (x4)



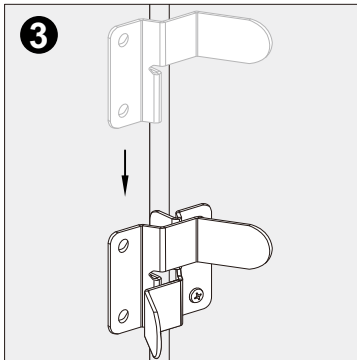
1



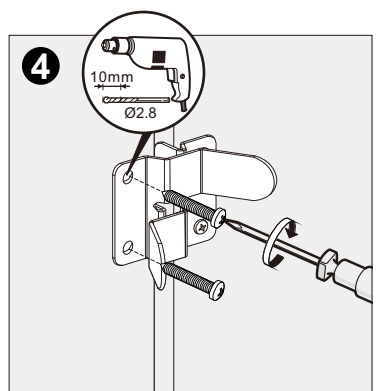
2



3



4

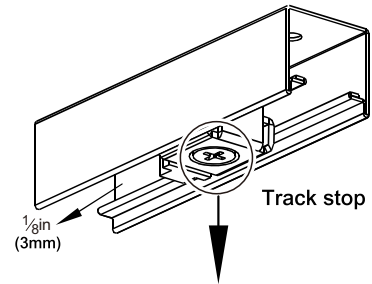


Installation

8

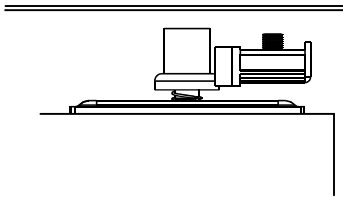
Adjust track stop

Close doors, slide track stop until it touches panel guide. Then open doors, move track stop 1/8" (3mm) closer to panel guide and tighten. Doors should "snap" shut yet open easily by a slight pull on the pull.

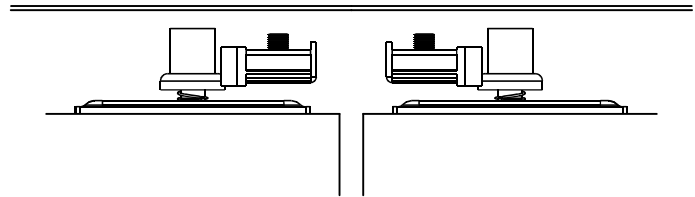


Please screws tighten after competing assemble

2 Door



4 Door



9

K

