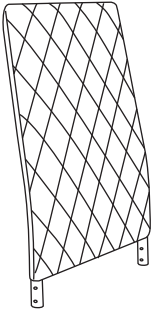
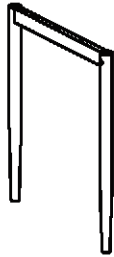


ASSEMBLY INSTRUCTION

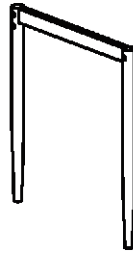
1. - 1 PC.



2. - 1 PC.



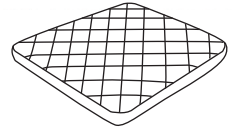
3. - 1 PC.



4. - 1 PC.



5. - 1 PC.



A. M6x45-6PCS.



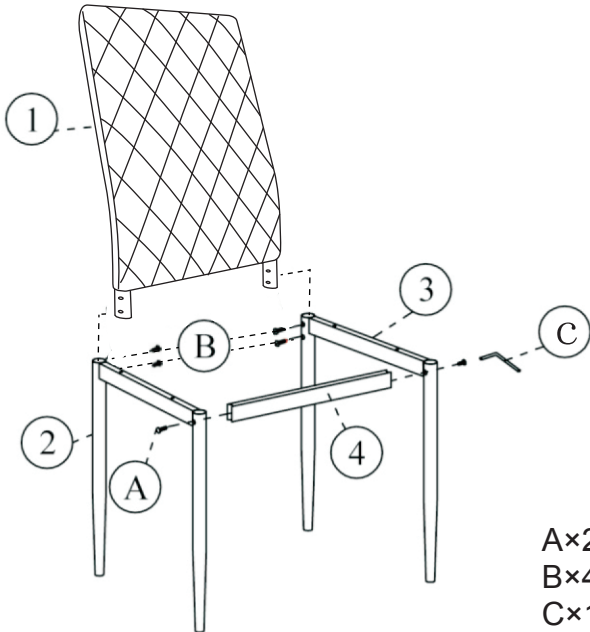
B. M6x13-4PCS.



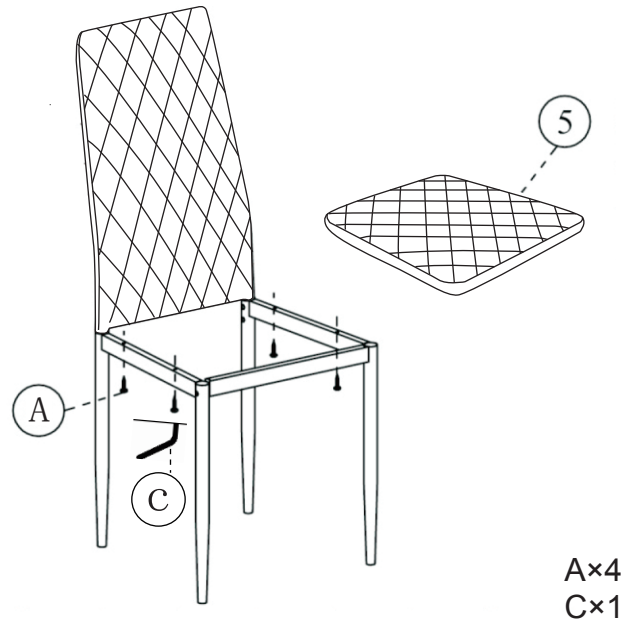
C. M5 - 1 PC.



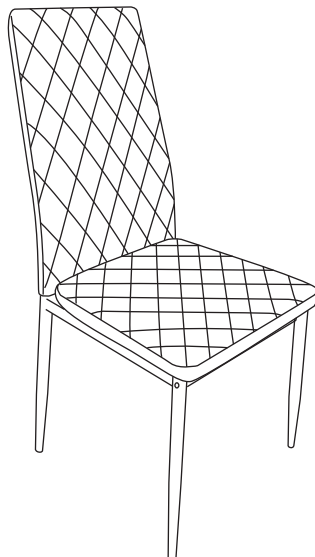
1 Tighten the screw 50%.



2 Tighten the screw 50%.



3



Put the chair in a horizon surface and thight all the scews 100%