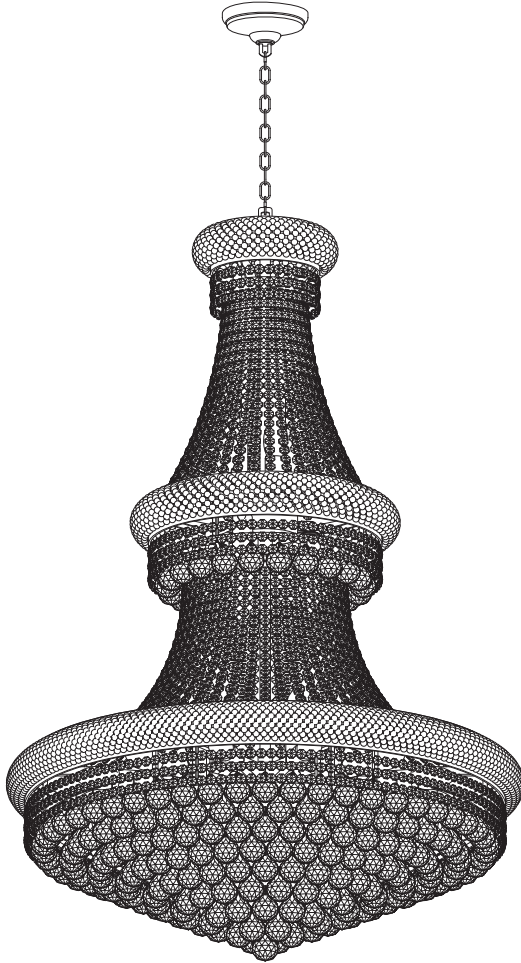


INSTALLATION MANUAL

CHANDELIER

Model No.: QLP024G-20A



Installation Video Applicable

Safety Rules

WARNING: BE SURE THE ELECTRICITY TO THE WIRES YOU ARE WORKING ON IS SHUT OFF; EITHER THE FUSE IS REMOVED OR THE CIRCUIT BREAKER IS TURNED OFF. TURNING THE POWER OFF USING THE LIGHT SWITCH IS NOT SUFFICIENT TO PREVENT ELECTRICAL SHOCK.

NOTE: The important safeguards and instructions appearing in this manual are not meant to cover all possible conditions or situations that may occur. It must be understood that common sense, caution, and care, are factors which cannot be built into any product. These factors must be supplied by the person(s) installing this unit.

READ & SAVE THESE INSTRUCTIONS


CAUTION: Before assembling the lighting fixture, refer to the section titled Wiring Connections. If you feel you do not have enough electrical wiring experience, either refer to a do-it-yourself wiring handbook or have your lighting fixture installed by a qualified, licensed electrician.

INSTALLATION & OPERATION INSTRUCTIONS GENERAL

Before starting the installation, disconnect the power by turning off the circuit breaker or by removing the appropriate fuse at the fuse box. Turning the power off using the light switch is not sufficient to prevent electrical shock.

All electrical connections must be in accordance with local and National Electrical Code (NEC) standards. If you are unfamiliar with proper electrical wiring connections, obtain the services of a qualified electrician.

Outlet Box Reminder

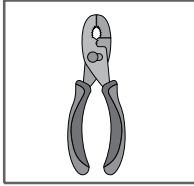
 If using an outlet box for installation, a reinforced outlet box must be used. This type of box can support 70–150 lbs (31.7–68 kg) and must be securely mounted to the ceiling beams.

Installation Preparation

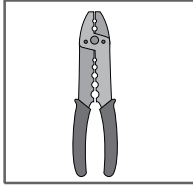
Tools You Need



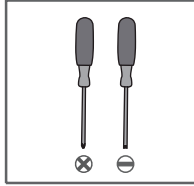
Ladder



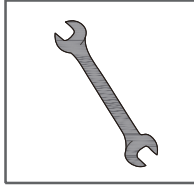
Pliers



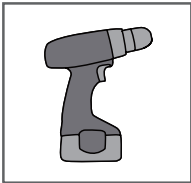
Wire Strippers



Screwdrivers



Wrench



Power Drill
(optional)

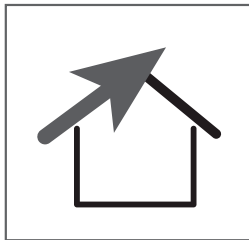


Drill Bit
(optional)

What to Expect with your Installation






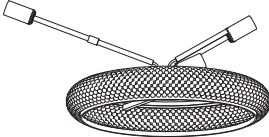
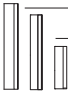


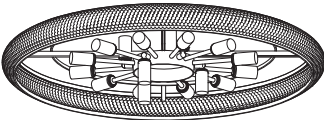
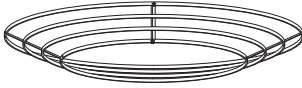
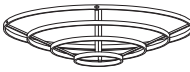

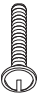














Check the box to see the weight of the light



Angled ceiling applicable

Packing List

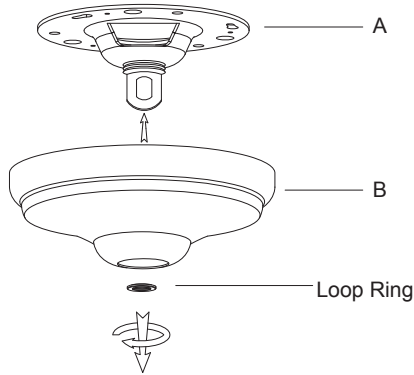
 <p>————— A Mounting Bracket x 1</p>  <p>————— B Canopy x 1</p>  <p>————— C Chain x 1</p>  <p>————— D Frame Layer #1 x 1</p>  <p>————— E Main downrod x 1</p>  <p>————— F Frame Layer #2 x 1</p>  <p>————— G 6" Square Tube x 4 ————— H 5.5" Square Tube x 4 ————— I 3" Square Tube x 7</p>  <p>————— J Frame Layer #3 x 1</p>  <p>————— K Connecting Rod x 1</p>  <p>————— L Frame Layer #4 x 1</p>  <p>————— M Frame Layer #5 x 1</p>  <p>————— N Frame Layer #6 x 1</p>  <p>————— O Cover x 1</p>	<p>AA 2x</p>  <p>Outlet Box Screw</p> <p>BB 5x</p>  <p>Wire Nut</p> <p>CC 4x</p>  <p>Wood Screw</p> <p>DD 4x</p>  <p>Metal Washer</p> <p>EE 2x</p>  <p>Anchor Bolt</p> <p>FF 15x</p>  <p>Small Fixture Screw</p> <p>GG 15x</p>  <p>Large Fixture Screw</p> <p>HH 238x</p>  <p>Head Pin</p> <p>II 1x</p>  <p>Gloves</p>	<p>198x</p>  <p>Crystal Strand "B"</p> <p>30x</p>  <p>Crystal Strand "C"</p> <p>54x</p>  <p>Crystal Strand "D"</p> <p>238x</p>  <p>Crystal Pendant "E"</p>
---	--	--

NOTE: The listed quantity is for installation, extra hardware may be included.

Installation Instructions

1. Remove the Mounting Bracket

Loosen the loop ring from the canopy (B), and take out the mounting bracket (A).

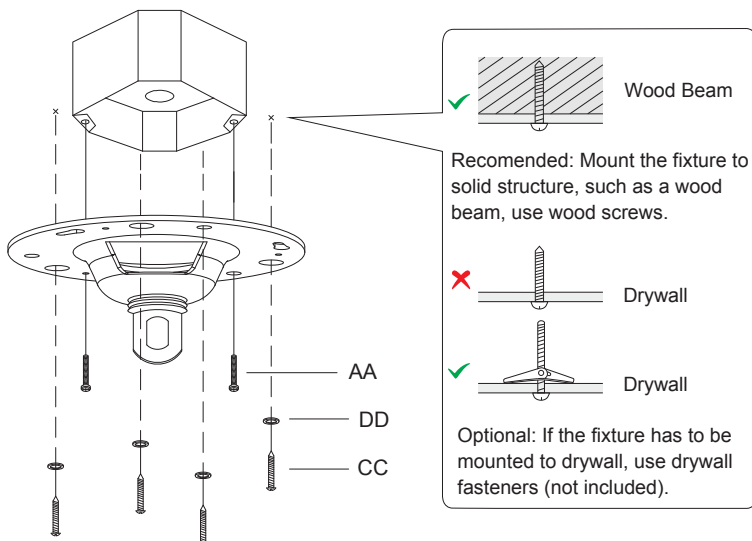


2. Mount the Bracket (3 Options)

Option 1. (For Outlet Box)

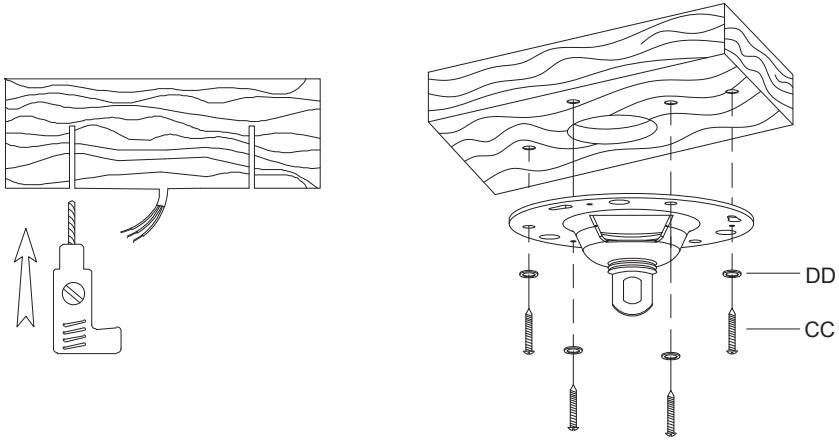
Step 1: Secure the mounting bracket (A) to the outlet box with screws taken off from outlet box or screws (AA) provided.

Step 2: Secure the ends of the bracket on the ceiling with metal washer (DD) and wood screw (CC).



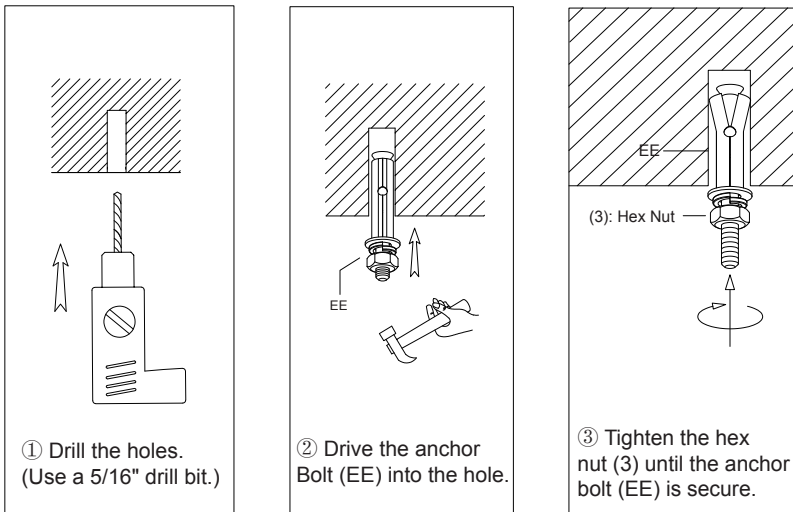
Option 2. (For Solid Wood Structure)

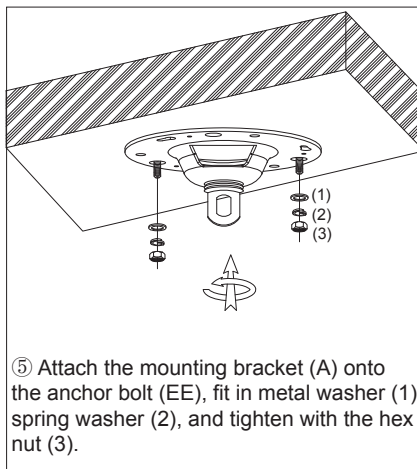
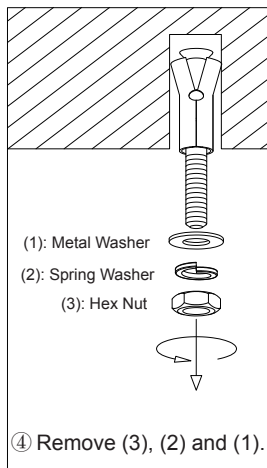
Mark and drill the screw holes (Use a 1/8" drill bit) on the solid wood structure. Mount the mounting bracket with metal washers (DD) and wood screws (CC).



Option 3. (For Concrete Structure)

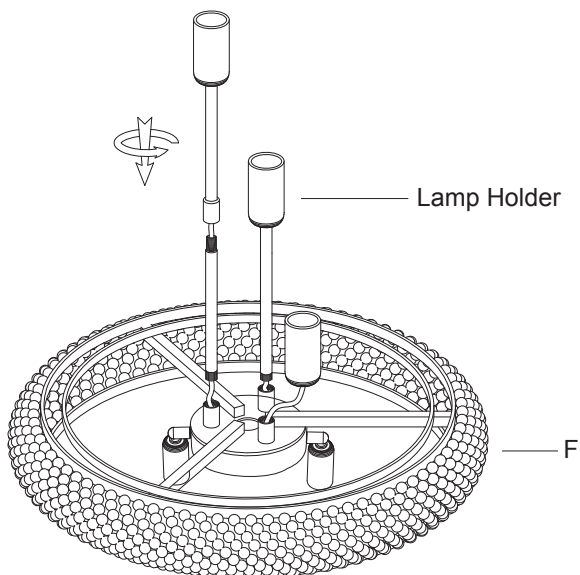
Mount the mounting bracket to the concrete structure with anchor bolt (EE).



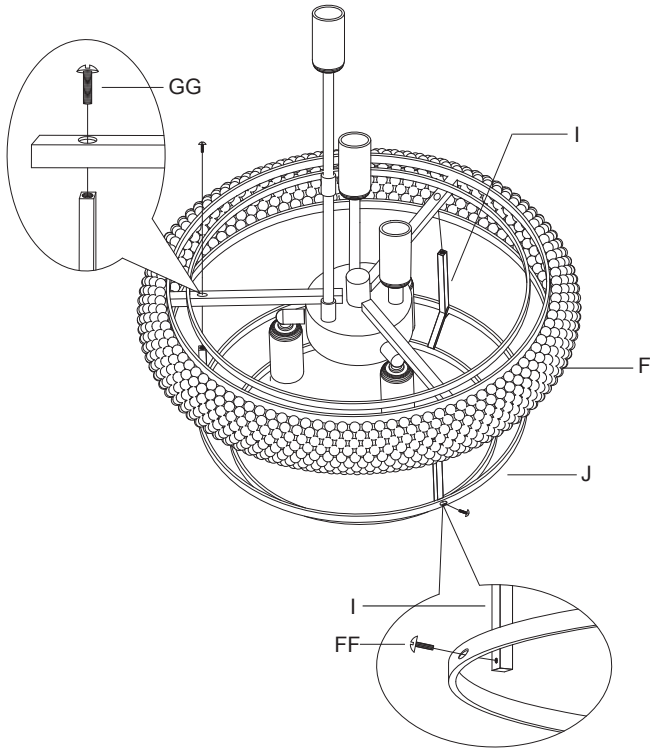


3. Assemble the Lamp Body

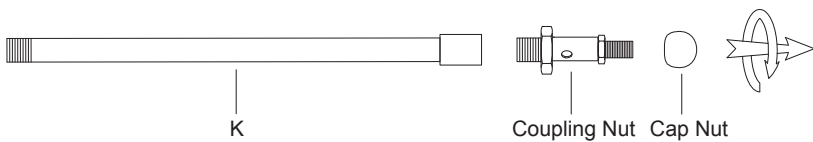
Step 1: Screw the lamp holder onto frame layer #2 (F).



Step 2: Connect frame layers #2 (F) and frame layers #3 (J) with the 3" square tube (I), using the large fixture screws (GG) on the top and the small fixture screws (FF) on the bottom.



Step 3: Loosen the cap nut and remove the coupling nut from the connecting rod (K).



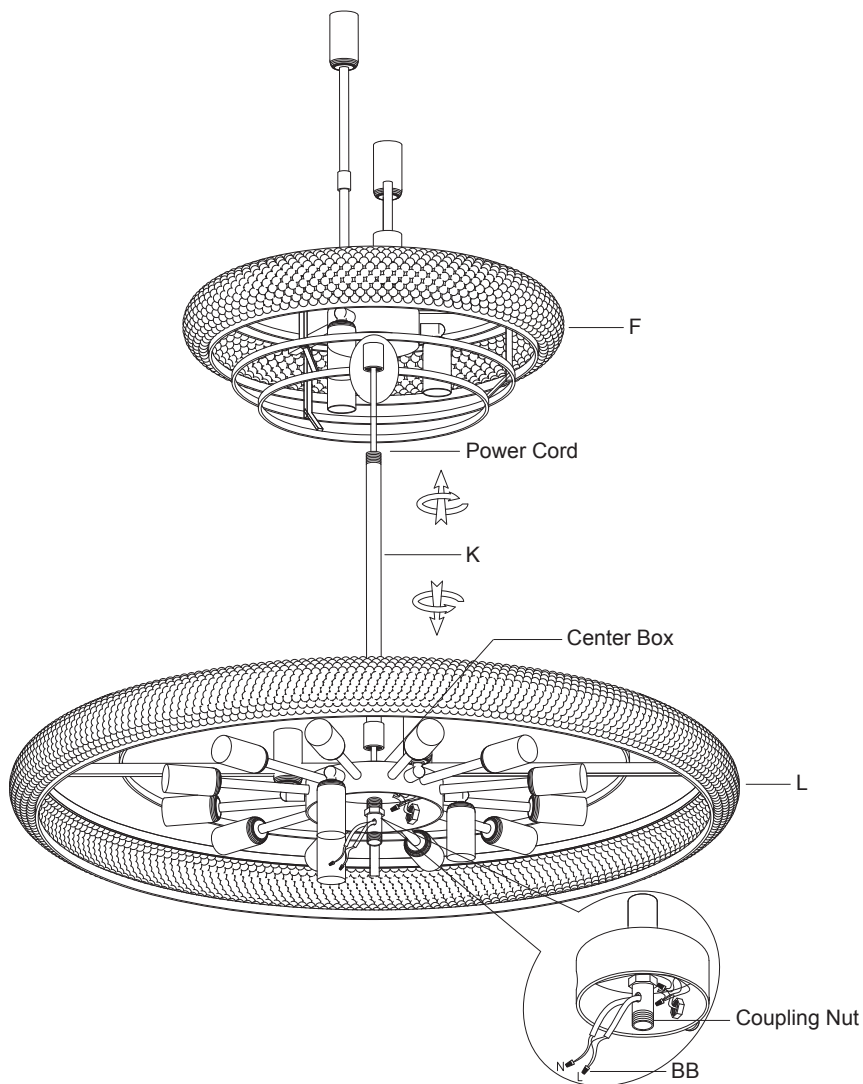
Step 4: Pass the power cord from the frame layer #2 (F) through the connecting rod (K).

Step 5: Pass the power cord through the center box of frame layer #4 (L), and then through the hole of the coupling nut.

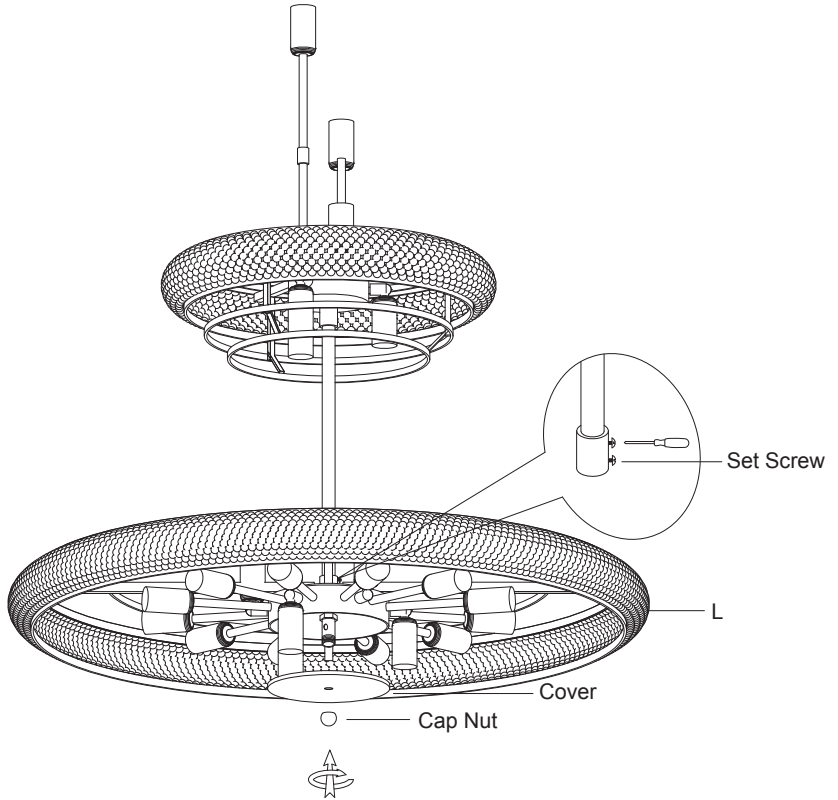
Step 6: Connect the wires of the lamp holder to the lower ends of the power cords with wire nut (BB). (L to L, N to N)

Step 7: Screw the connecting rod (K) onto frame layer #2 (F).

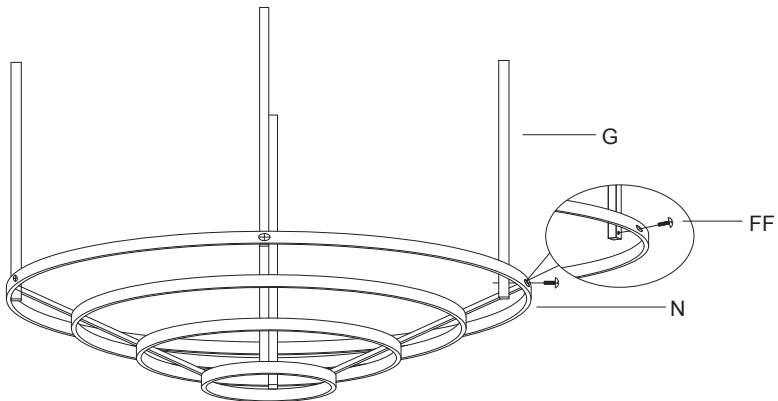
Step 8: Connect the connecting rod (K) to frame layer #4 (L) using the coupling nut.



Step 9: Tighten the set screw. Then fix the cover onto the frame layer #4 (L) with cap nut.

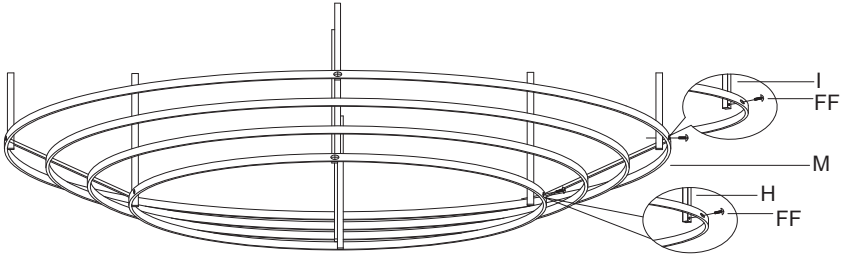


Step 10: Install the 6" square tube (G) onto the frame layer #6 (N) using the small fixture screws (FF).

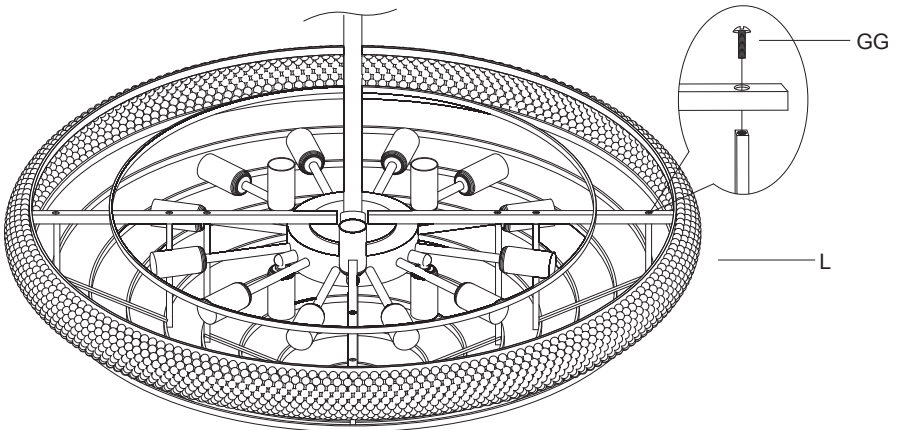


Step 11: Install the 3" square tube (I) onto the top of frame layer #5 (M) using small fixture screw (FF).

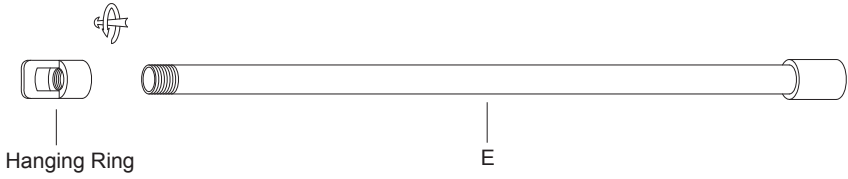
Step 12: Install the 5.5" square tube (H) onto the bottom of frame layer #5 (M) using small fixture screw (FF).



Step 13: Secure the square tubes (G/H/I) of frame layers #5 (M) and frame layers #6 (N) to frame layer #4 (L) using the large fixture screws (GG).



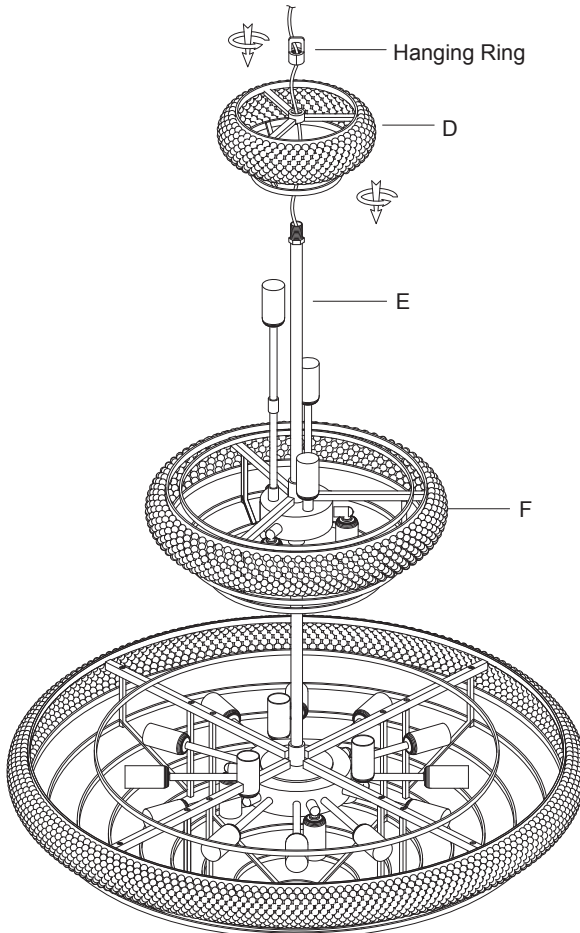
Step 14: Unscrew the hanging ring from the main downrod (E).



Step 15: Pass the power cord through the main downrod (E) and frame layer #1 (D).

Step 16: Rotate the main downrod (E) to secure it onto the frame layer #2 (F).

Step 17: Secure the frame layer #1 (D) onto the main downrod (E) with the hanging ring.



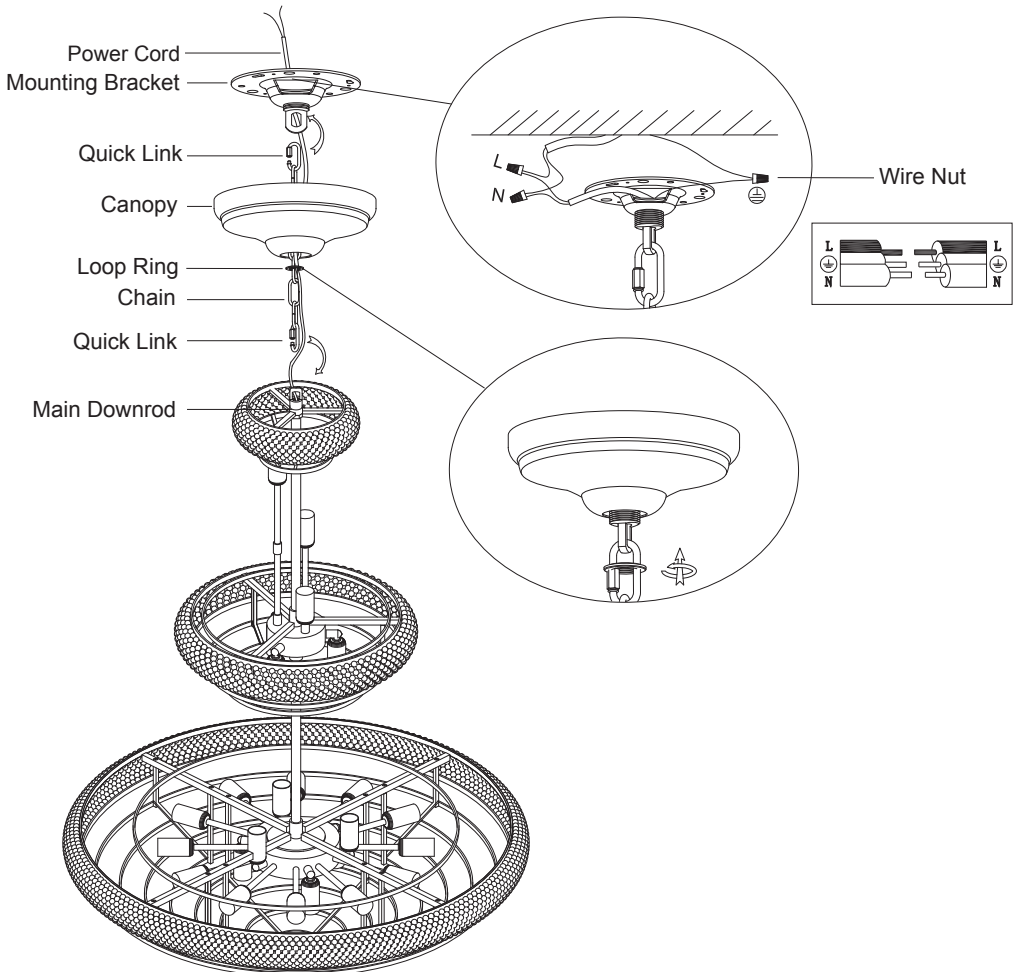
4. Connect the Wires

Step 1: Open the quick links. Then pass the chain (C) through the loop ring and canopy (B) in sequence, and connect both ends to the mounting bracket (A) and main downrod (E). Then tighten the quick links securely.

Step 2: Pass the power cord through the loop ring, canopy (B), and mounting bracket (A) in sequence.

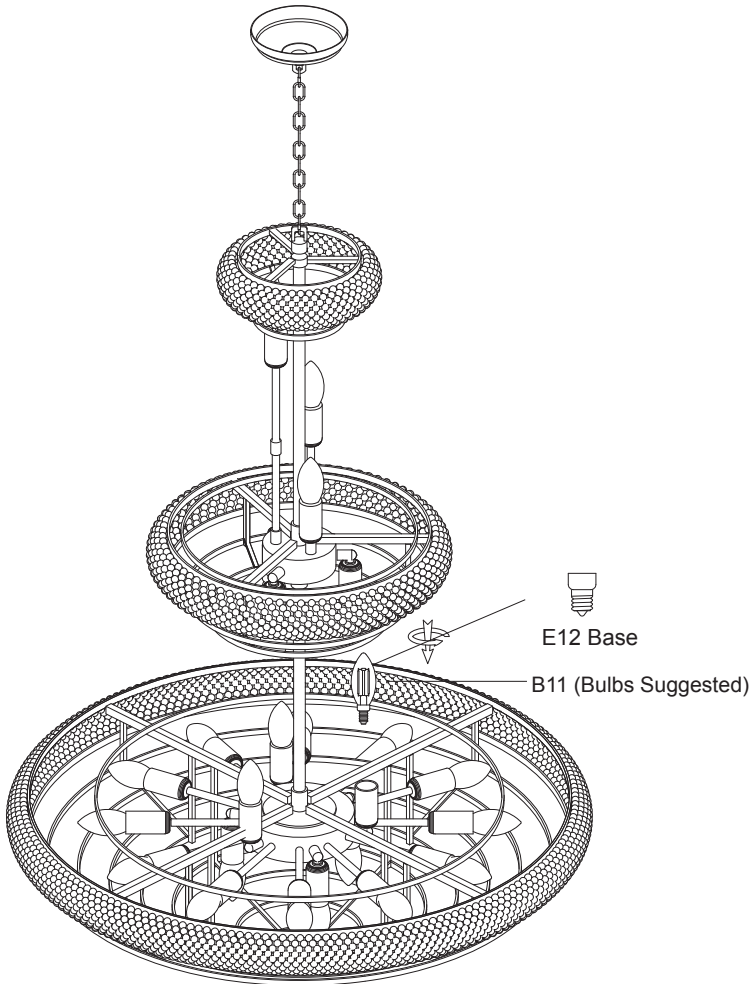
Step 3: Connect the wires from the fixture to the house supply wires with wire nuts (BB), ground wire (green, green/yellow, or bare copper) to ground wire, neutral wire (white) to neutral wire, and hot wire (black) to hot wire. Wrap the connection with electrical tape.

Step 4: Slide the canopy (B) up to the ceiling, rotating loop ring to fix the canopy.



5. Install the Bulbs

Install the Bulbs. (E12 x 20, Max 40W each, not included)



Note:

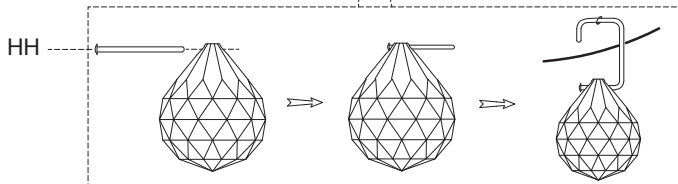
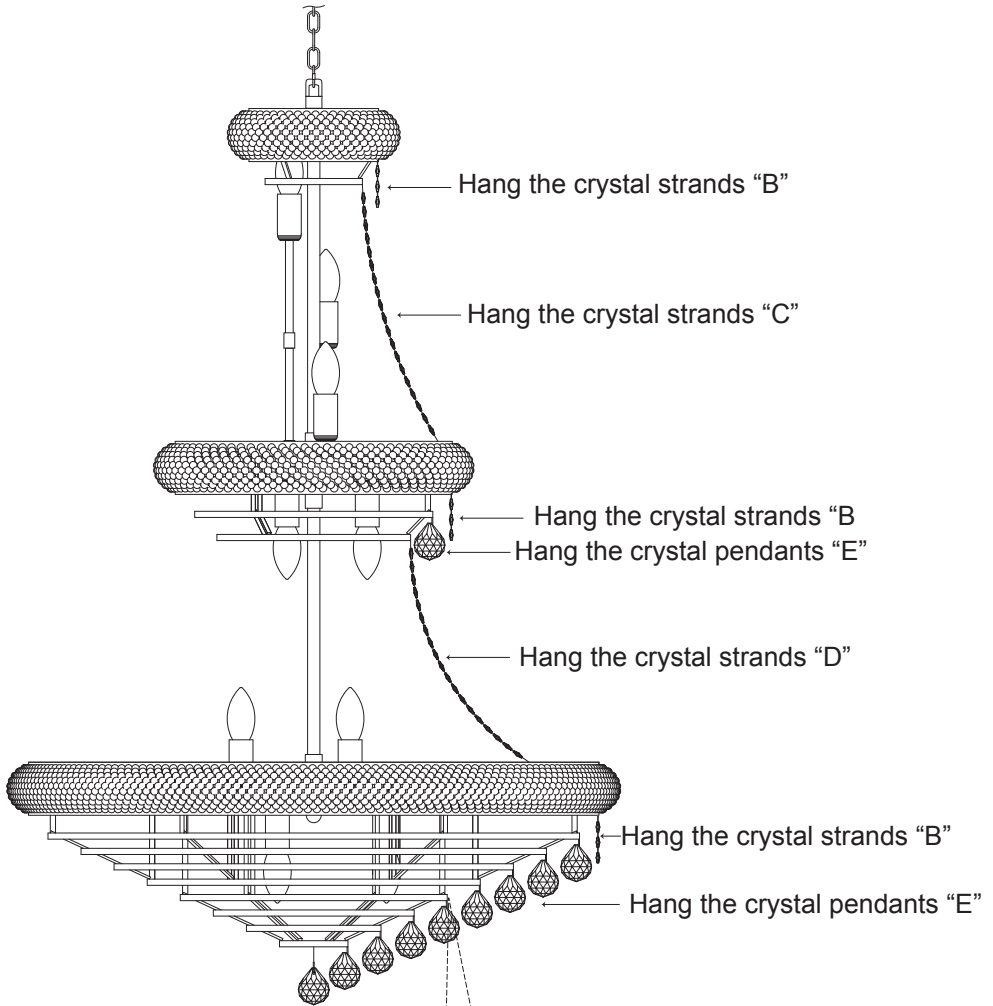
The illustrated bulb is recommended and compatible alternatives may be selected as needed.

To achieve dimming functionality, you need to use dimmable bulbs and a dimmer switch.

For bulbs with color temperature control, repeatedly switch “on” and “off” using the wall switch to change settings.

6. Install the Crystals

Refer to the crystal installation diagram and hang the crystals from bottom to top.



Insert the head pin (HH) through crystal pendant "E", bend the end, and hook it into the frame to secure.

Crystal Installation Diagram

Trouble Shooting

1. Missing / Broken Parts

- Make a list of the missing/broken parts according to the packing list, take photos for broken parts, then email us for free replacements.

2. Bulbs Do Not Light Up

- Check your power and switch to make sure it's power on.
- For regular bulbs, make sure it is connected to the ON/OFF wall switch, not the dimmer switch.
- Replace the bulb with a new one.

3. Bulbs Flicker

- If it is a dimmer switch, use a dimmable bulb.
- Replace the bulb with a new one.

4. Could Not Install / Assemble

- Take photos of the ceiling / fixture, contact seller for technical support.

Clean And Care

To clean, wipe fixture with soft cloth. Spray from chemical cleaners can discolor the finish of fixture. Do not use scouring pads, powders, steel wool or abrasive paper to clean this fixture.

Ordering Parts

Keep this manual for future reference, and in case replacement parts are needed. Available parts can be ordered from place of purchase. Use exact wording from diagrams when ordering parts.