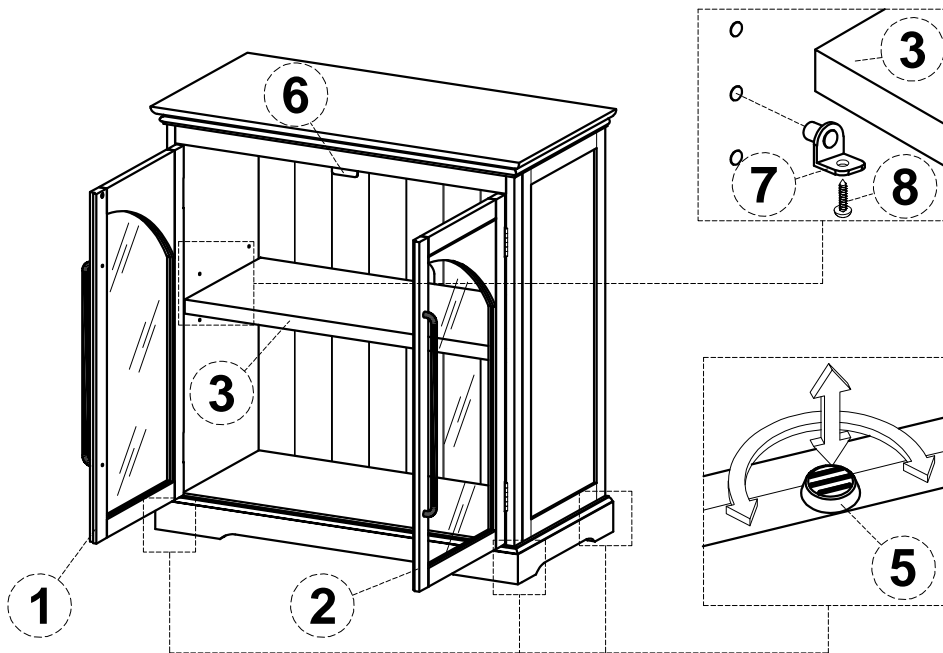


**ASSEMBLY INSTRUCTIONS &
PARTS IDENTIFICATION
ARCHDALE 2 DOOR ACCENT
CABINET
BLACK FINISH**

PARTS KEY

	Qty	Description	No		Qty	Description
	1 Pc	Left Side facing end door	6		1 Pc	Door catch
	1 Pc	Right side facing end door	7		4 Pcs	Shelf pin
	1 Pc	Shelf	8		4 Pcs	Wood screw
	4 Pcs	Door hinge	9		2 Pcs	Door pull w/ Screw
	4 Pcs	Levelers	10		1 Set	Anti-Tip Kit



Adjust floor leveler, as shown above, to level the cabinet and adjust the door alignment as needed.

PLEASE NOTE ;
To help prevent the possibility of tip-over, install the tipover restraint provided

