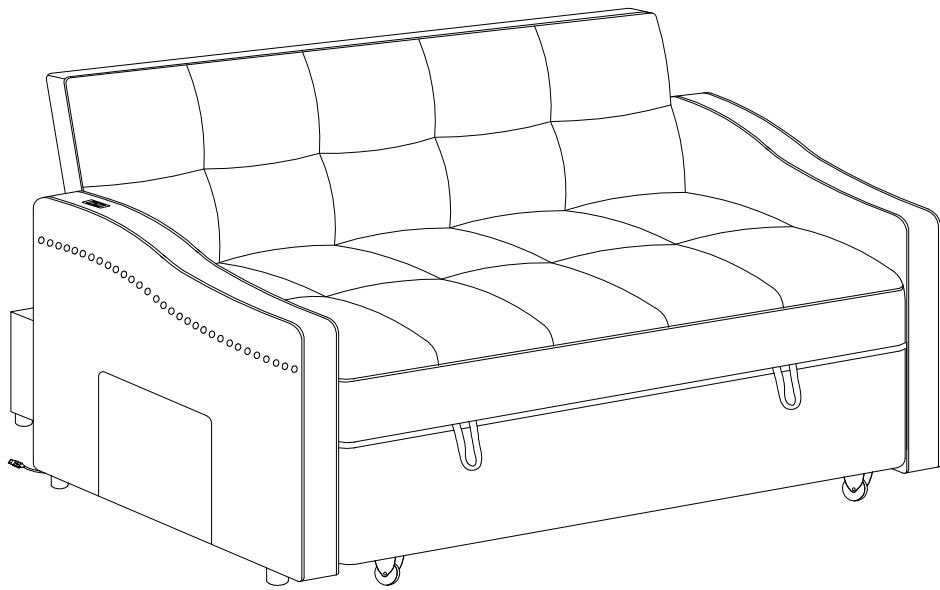
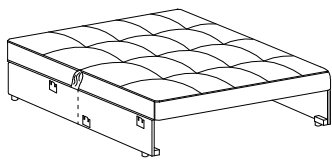


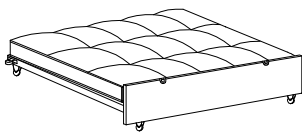
ASSEMBLY INSTRUCTIONS



STEP:Packing Details



Ax1



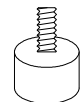
Bx1



Ex4



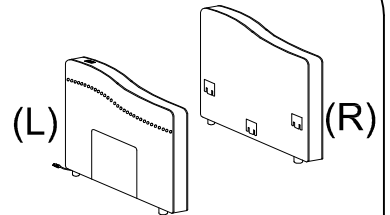
Fx16



Dx8

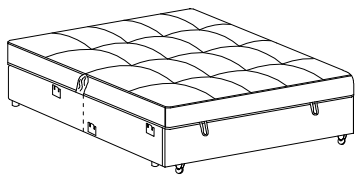
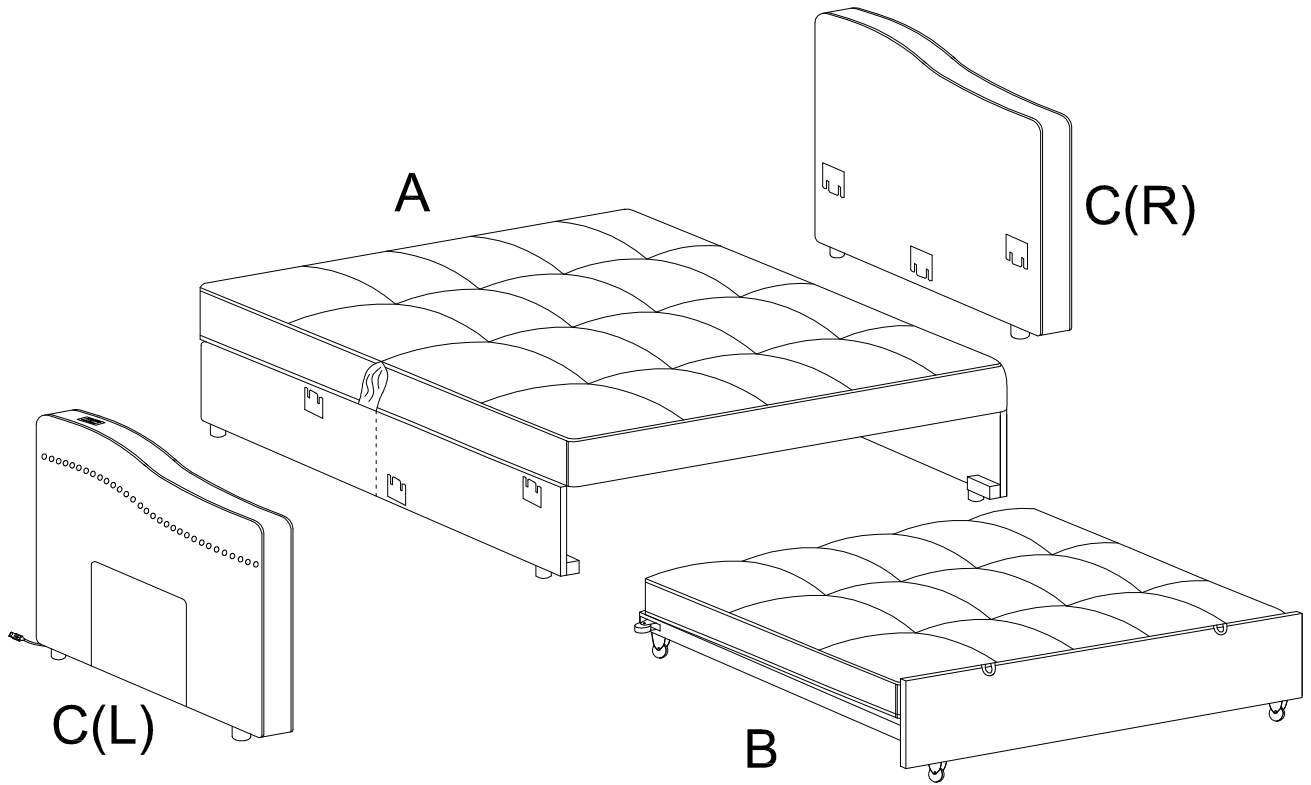


Gx1

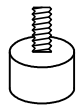


Cx2

ASSEMBLY INSTRUCTIONS



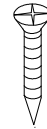
A / B



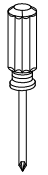
Dx4



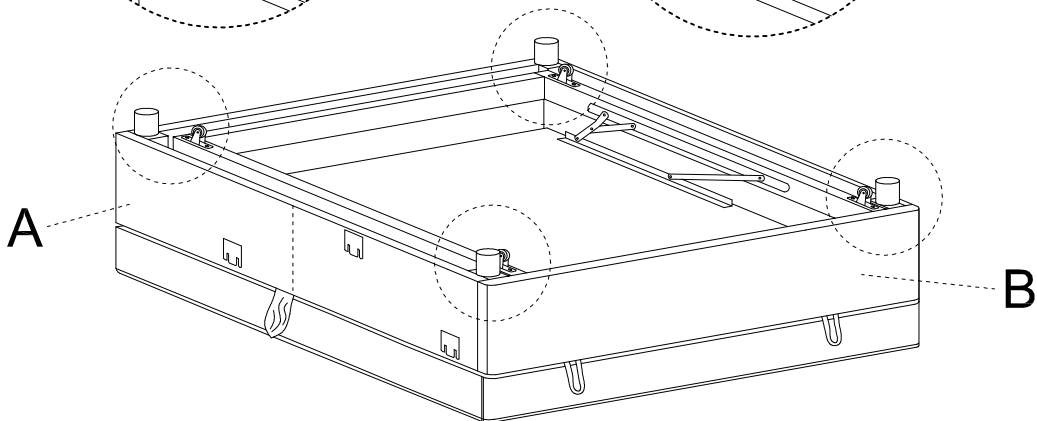
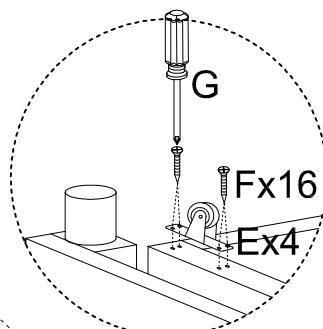
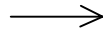
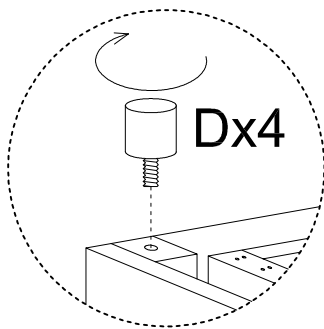
Ex4



Fx16

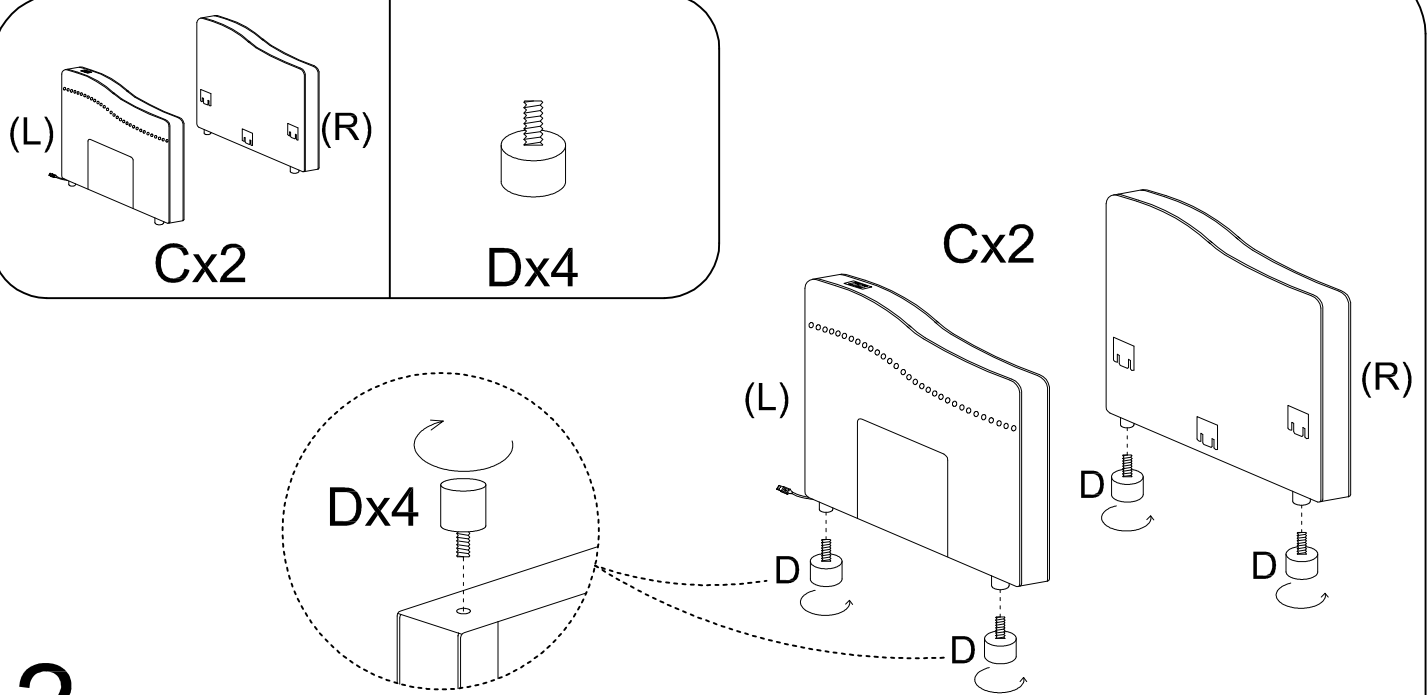


Gx1

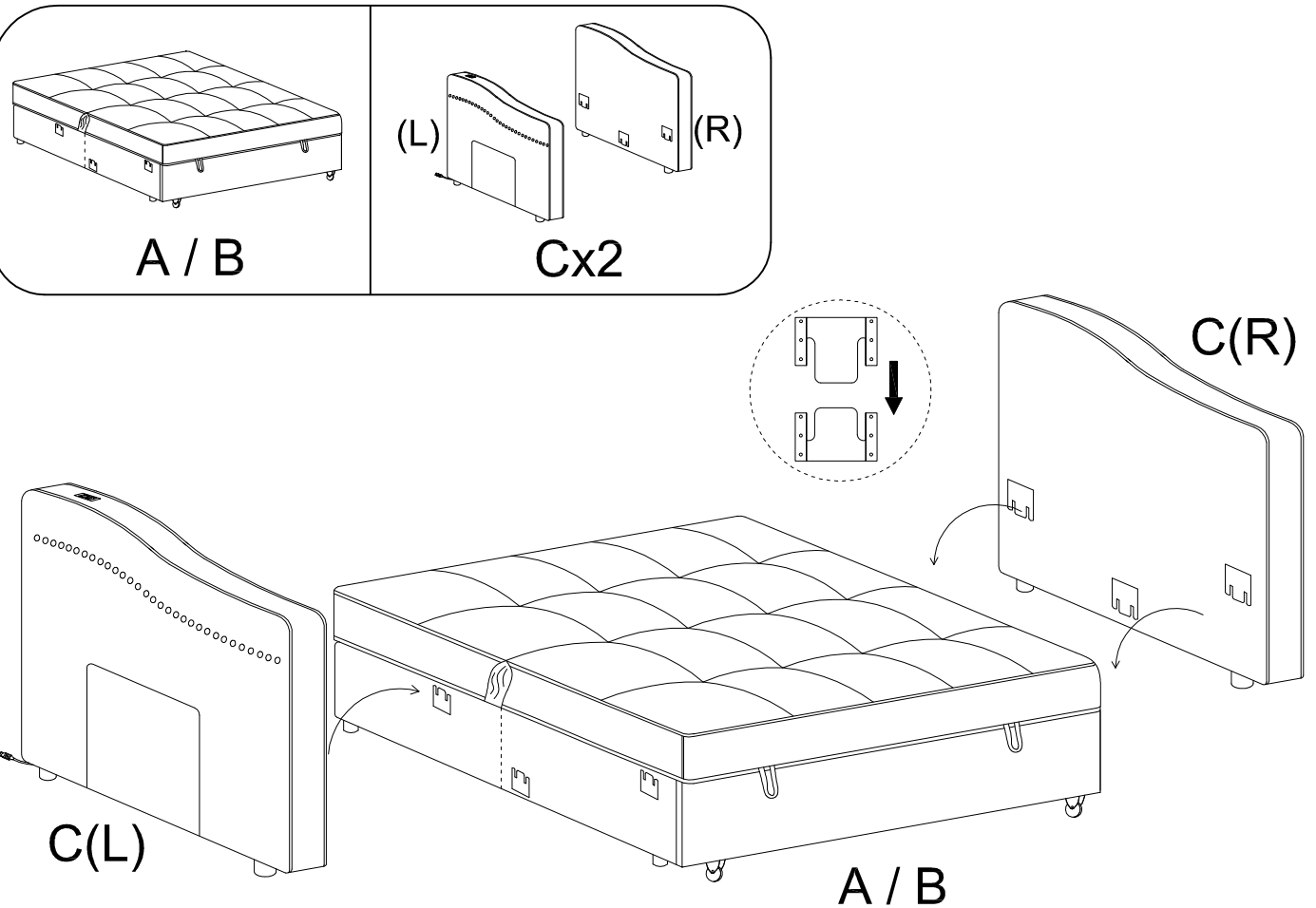


1

ASSEMBLY INSTRUCTIONS

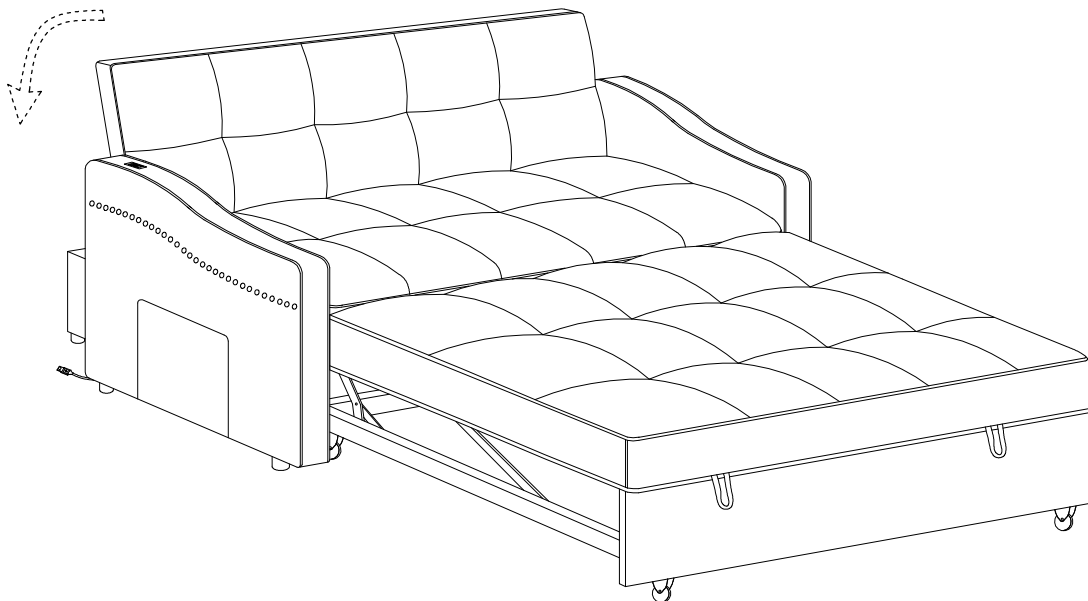
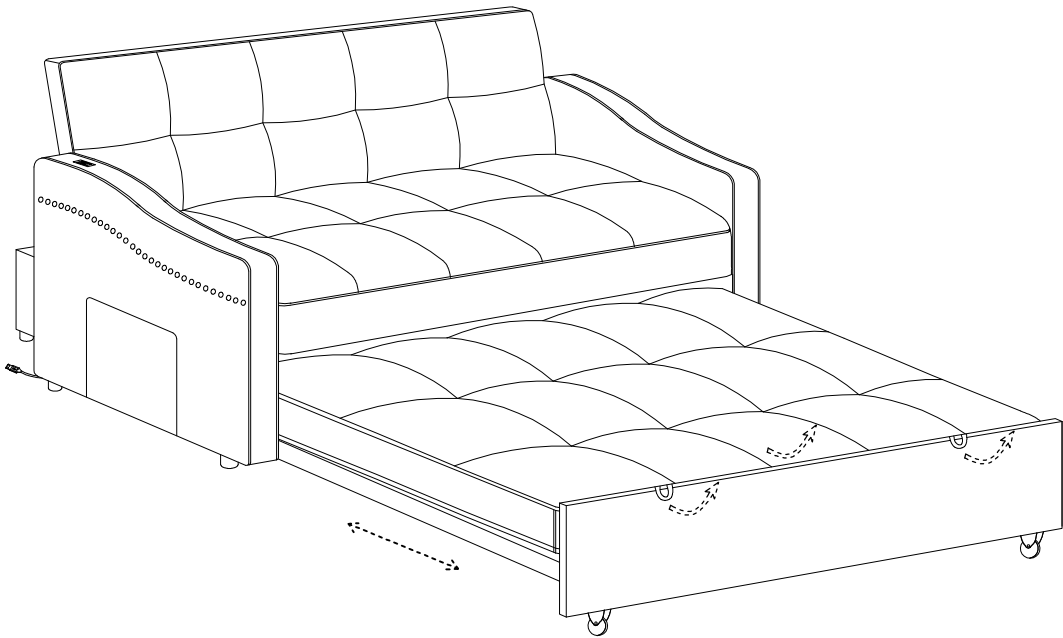
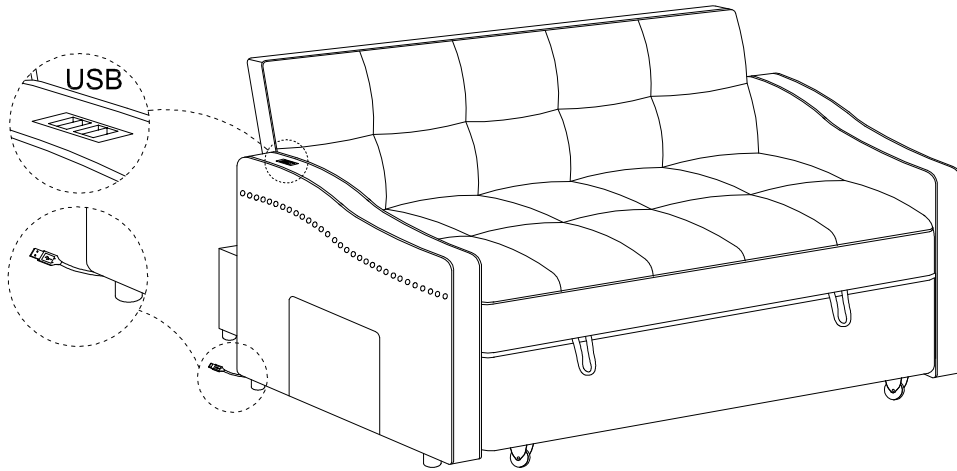


2



3

ASSEMBLY INSTRUCTIONS



4