

**2 TIER TABLE**  
**ITEM CODE: G-0512**  
**ASSEMBLY INSTRUCTION**

**30mins**

APPROXIMATE ASSEMBLY TIME

1 PEOPLE ASSEMBLY



FLOOR AREA  
1MX1M

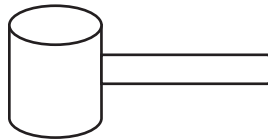


REQUIRED ASSEMBLY SPACE

**REQUIRED ASSEMBLY TOOLS**



PROTECTIVE HAND GLOVES (Not Provided)

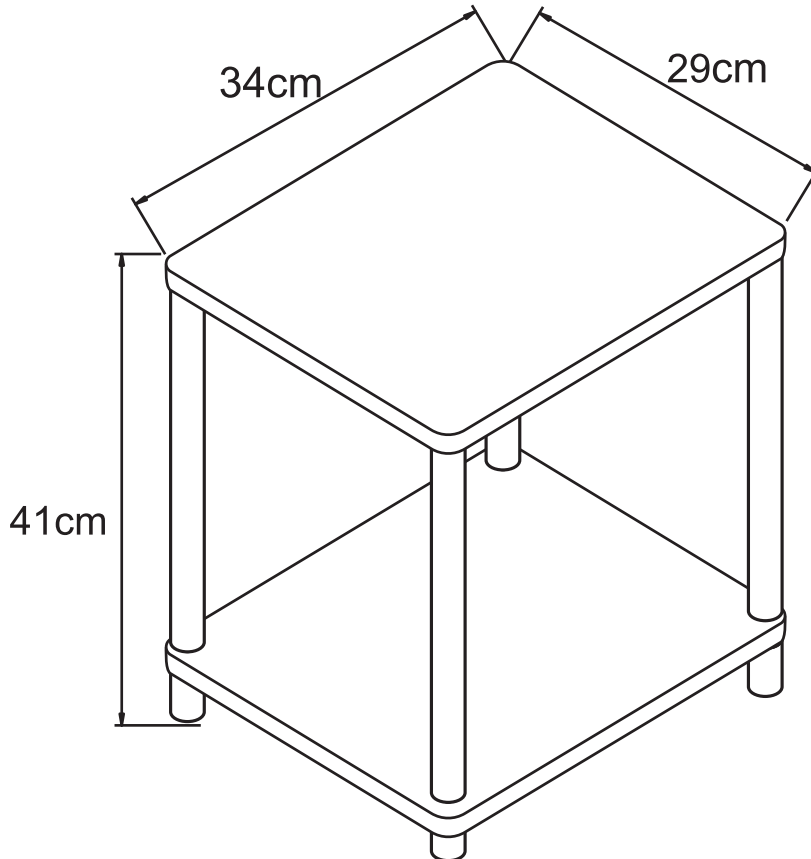


SOFT RUBBER HAMMER (Not Provided)



MEASURING TAPE (Not Provided)

**ASSEMBLED DIMENSIONS**



Max. Loading : 10kg

1-7

Made in China  
 Manufactured for Gill HK Limited BD4 9SW  
[www.gillhk.com](http://www.gillhk.com)

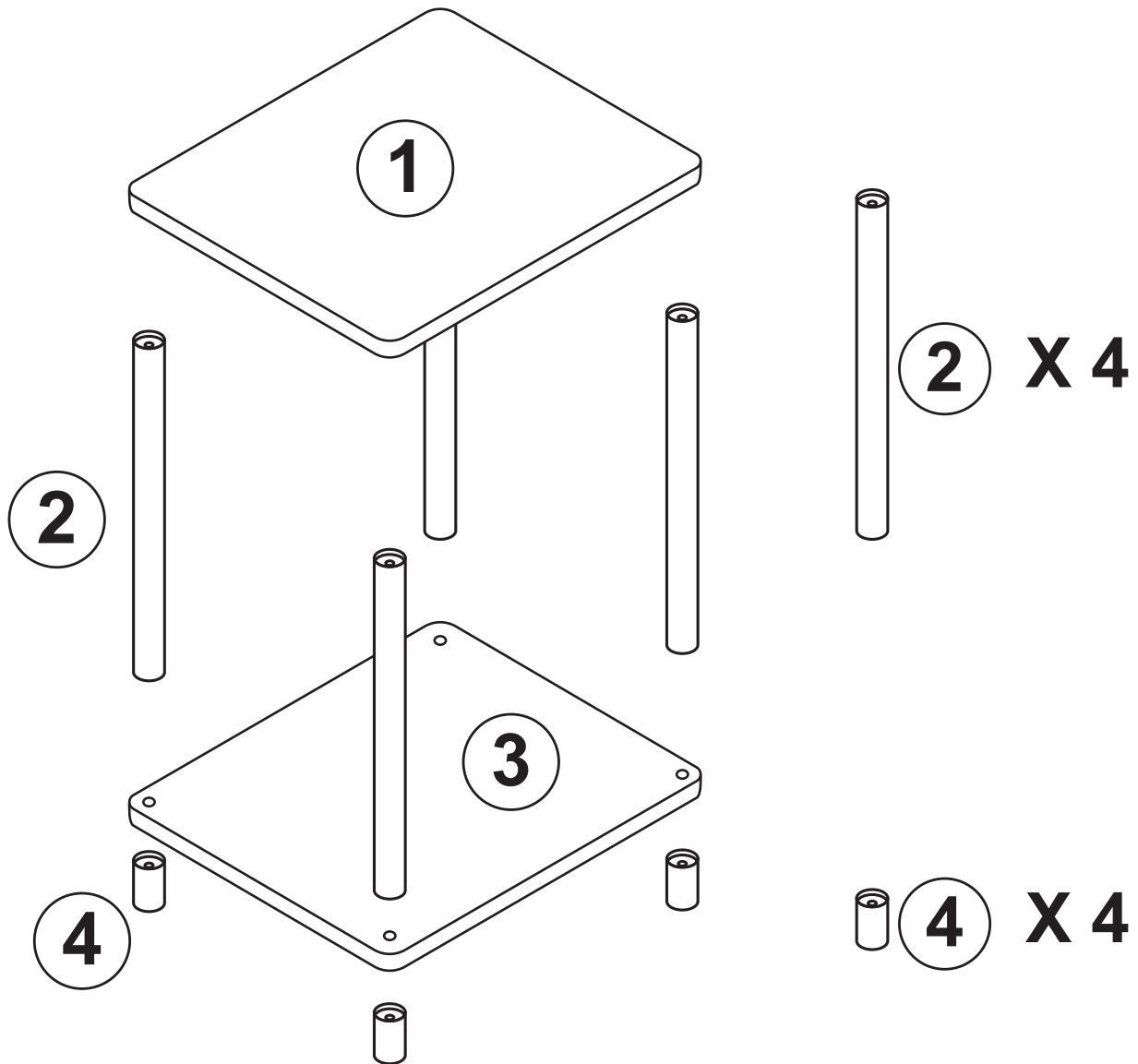
# 2 TIER TABLE

## ITEM CODE: G-0512

### ASSEMBLY INSTRUCTION



NO.	PART LIST	QTY	NO.	PART LIST	QTY
(1)	SHELF	1	(3)	SHELF	1
(2)	METAL SUPPORT	4	(4)	METAL FEET	4

## PARTS LIST



**2 TIER TABLE**  
**ITEM CODE: G-0512**  
**ASSEMBLY INSTRUCTION**

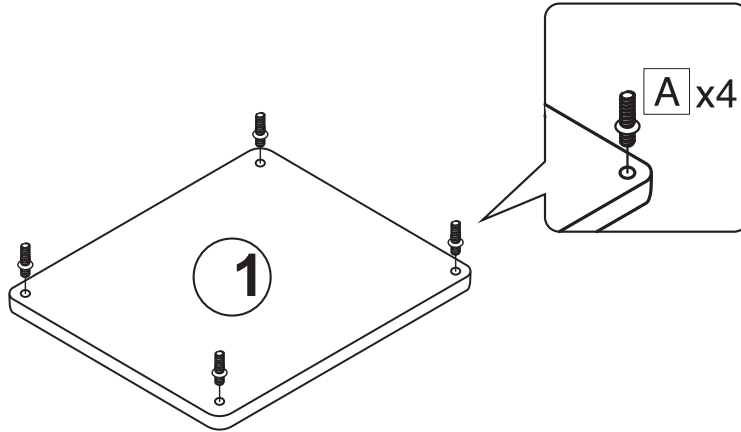
**HARDWARE LIST**

<b>A</b>	× 4	<b>B</b>	× 4
		SCREW	SCREW

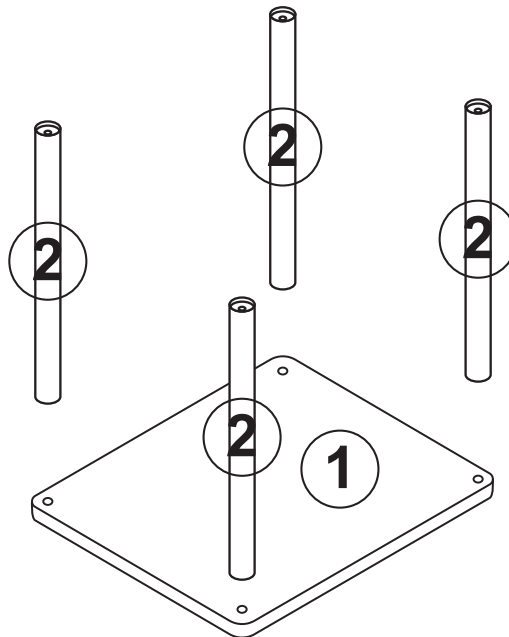
# 2 TIER TABLE

ITEM CODE: G-0512  
ASSEMBLY INSTRUCTION

## STEP 1



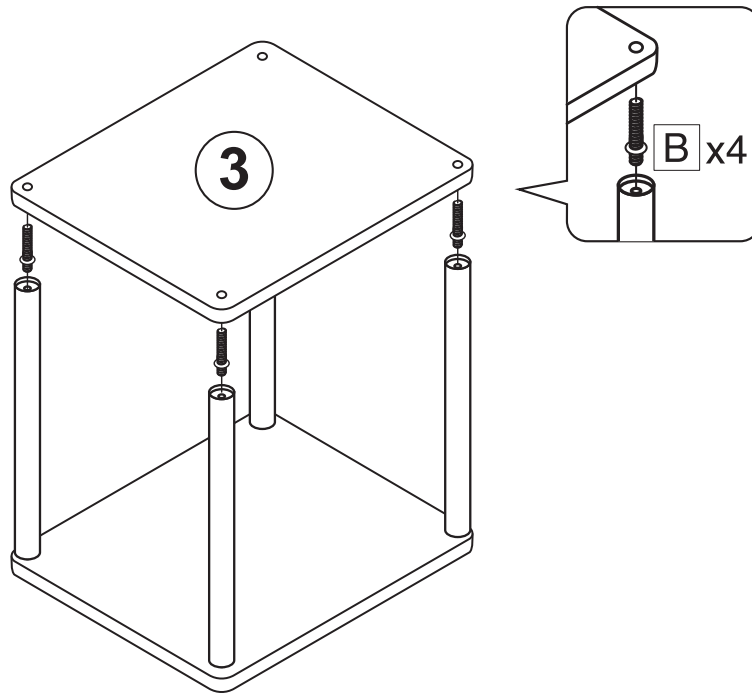
## STEP 2



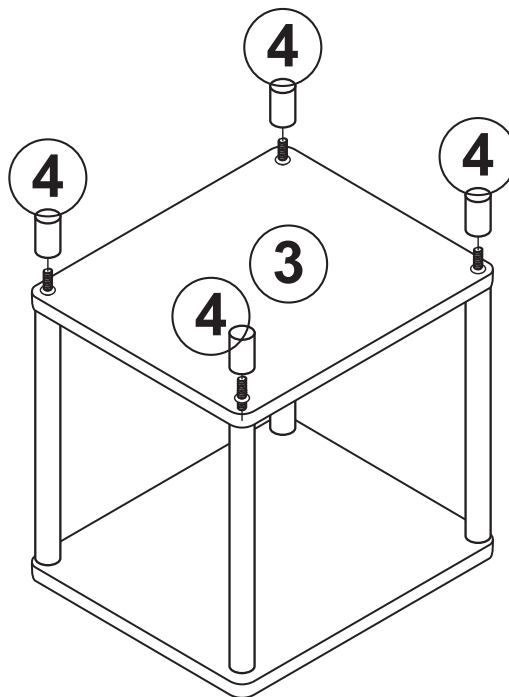
# 2 TIER TABLE

ITEM CODE: G-0512  
ASSEMBLY INSTRUCTION

## STEP 3



## STEP 4



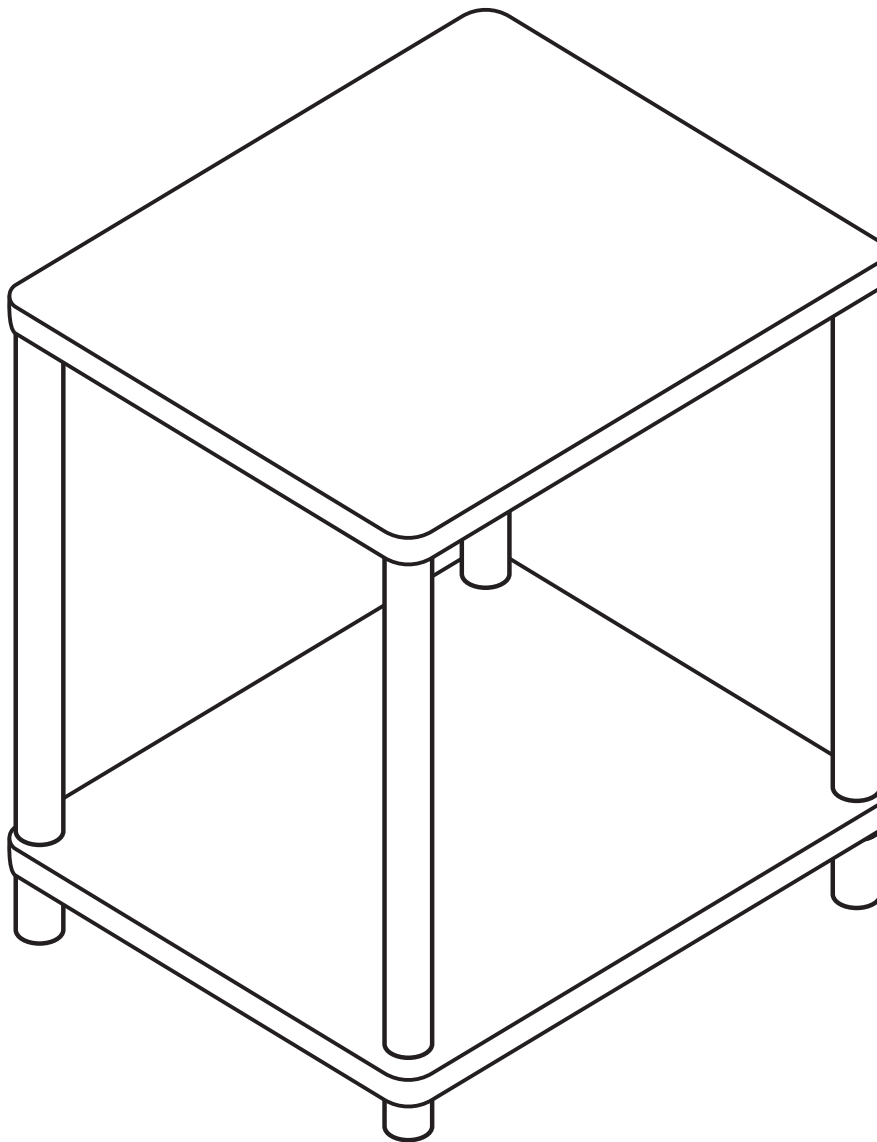
Max. Loading : 10kg

5-7

Made in China  
Manufactured for Gill HK Limited BD4 9SW  
www.gillhk.com

**2 TIER TABLE**  
**ITEM CODE: G-0512**  
**ASSEMBLY INSTRUCTION**

**STEP 5**



**Max. Loading : 10kg**

**6-7**

**Made in China**  
**Manufactured for Gill HK Limited BD4 9SW**  
**[www.gillhk.com](http://www.gillhk.com)**

# 2 TIER TABLE

## ITEM CODE: G-0512

### ASSEMBLY INSTRUCTION



#### Safety Advice and Care Advice

KEEP ALL THE SAFETY ADVICE AND INSTRUCTIONS IN A SAFE PLACE FOR FUTURE REFERENCE!

**⚠ WARNING! RISK OF LOSS OF LIFE OR ACCIDENT TO INFANTS AND CHILDREN!** Never leave children unsupervised with the packaging materials. Danger of suffocation.

**⚠ CAUTION! RISK OF INJURY!** Make sure that all parts are undamaged and assembled correctly. Improper assembly carries a risk of injury. Damaged parts may affect the safety and function of the product.

- Make sure that this product is standing on a solid, level surface.

**⚠ CAUTION!** Do not leave children unsupervised! The product is not a climbing frame or a toy! Make sure that nobody, especially a child, climbs on or leans against the product.

- Distribute weight evenly across the product so that it cannot overturn.
- Do not load more than a total of 10kg onto the product, otherwise there is a risk of injury and/or damage to the product.
- Check that the product is stable before using it.
- Do not lift or move the product when it is loaded.
- Keep away from fire and inflammable objects.
- **Wipe clean with a damp cloth.**
- Make sure that all screws and fixings are secure before use.
- Do not place very hot or very cold items on the surface(s) unless adequately thick table mats are used.
- Please periodically check all fittings and re-tighten as necessary.
- Domestic use only.