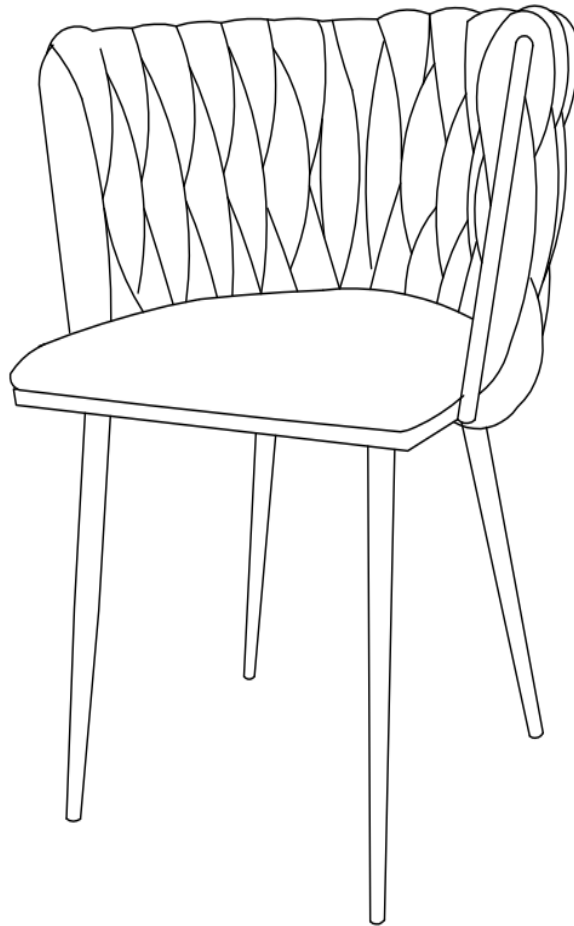


# INSTRUCTION MANUAL





## **Attention :**

If you encounter any problems during installation or use, pls feel free to contact us on shopping platform. We will provide you with a satisfactory solution within 24 hours.

# Dining chair

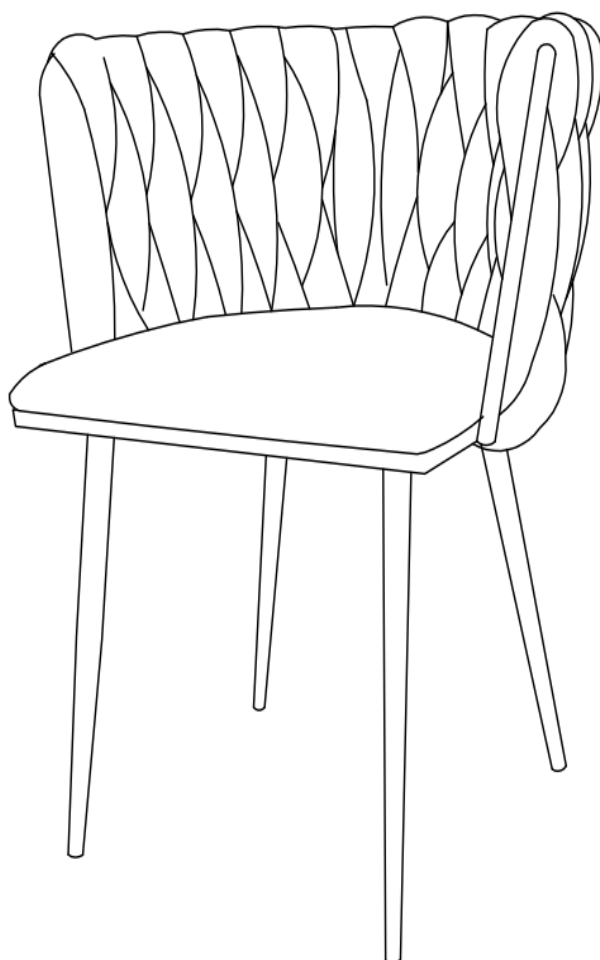
 1 - ITEMS DELIVERED-TECHNICAL DATA

 2 - ASSEMBLY

 3 - CLEANING AND MAINTENANCE



1 - ITEMS DELIVERED-TECHNICAL DATA



TO RISE




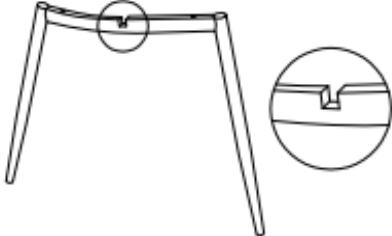



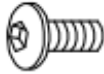




YOURSELF

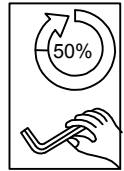
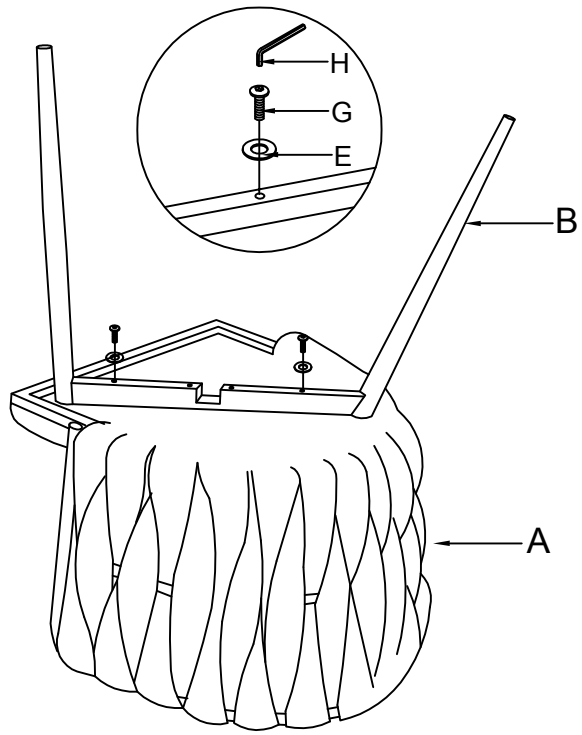
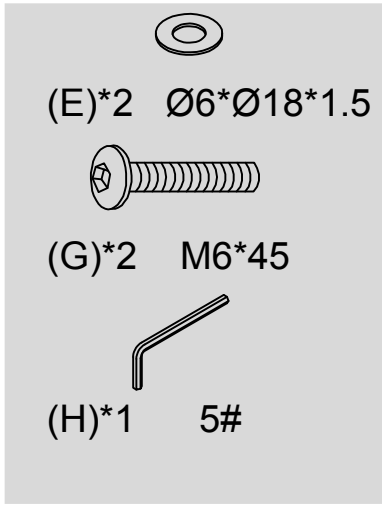


ASSEMBLY

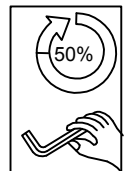
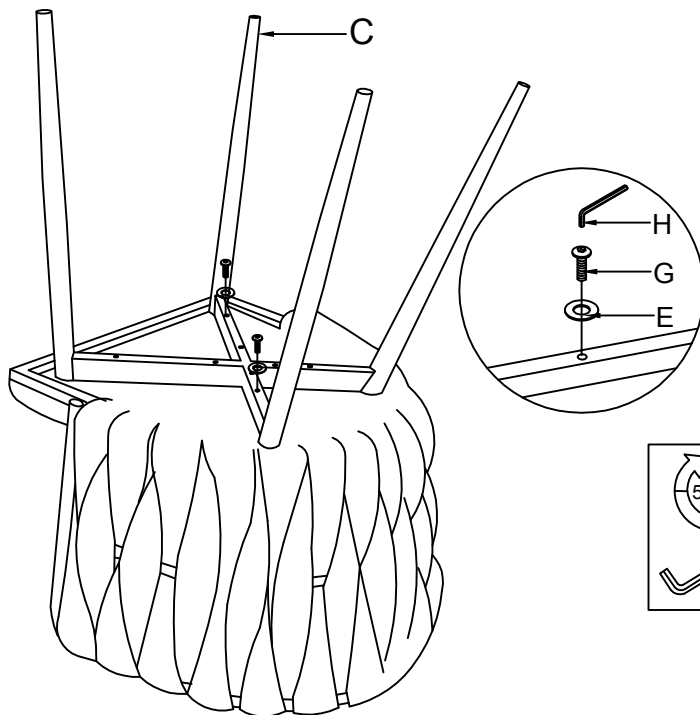
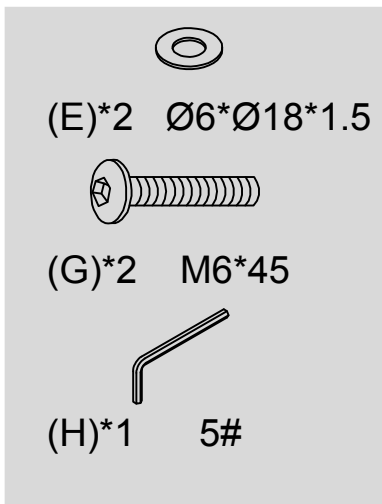


## 2 - ASSEMBLY

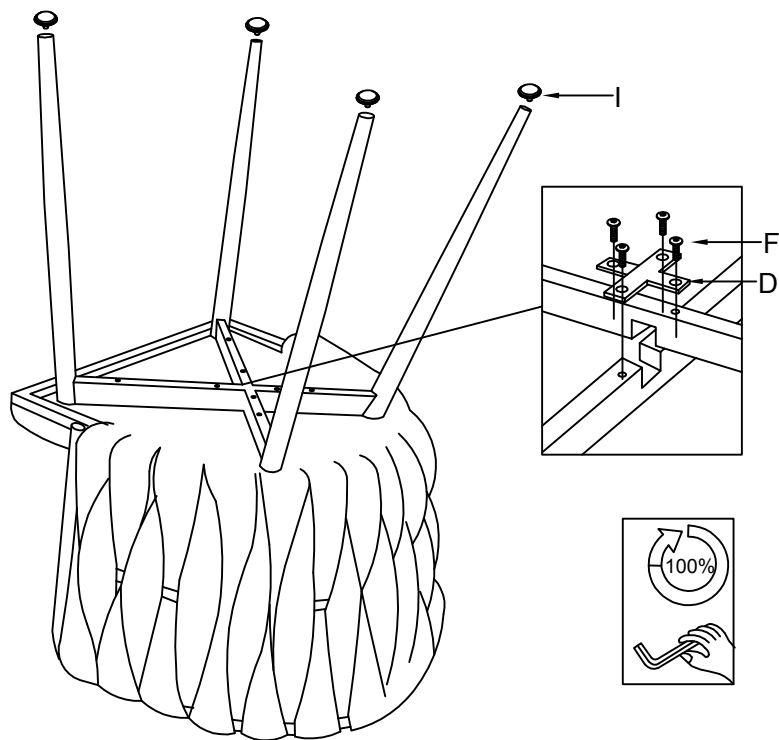
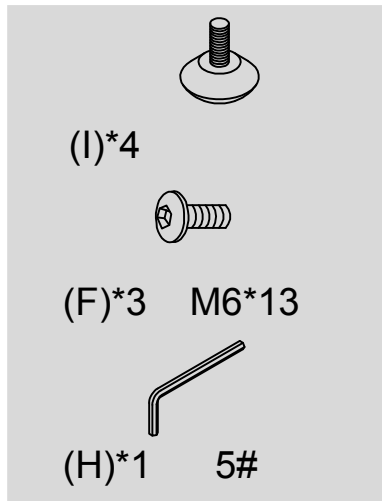
<p>(A)*1</p> 	<p>(B)*1</p> 
<p>(C)*1</p> 	<p>(D)*1</p> 
<p>(E)*4</p>  <p>Ø6*Ø18*1.5</p>	<p>(F)*4</p>  <p>M6*13</p>
<p>(G)*4</p>  <p>M6*16</p>	<p>(H)*1</p>  <p>5#</p>
<p>(I)*4</p> 	<p>(I)*1</p> 



1



2



3



### 3 - CLEANING AND MAINTENANCE

- Do not use corrosive or abrasive for cleaning products.
- Clean with a soft cloth
- Don't interfere with metal objects in a mechanism, so that they are threatened with serious deterioration.