

USE AND CARE GUIDE

52 INCH CEILING FAN

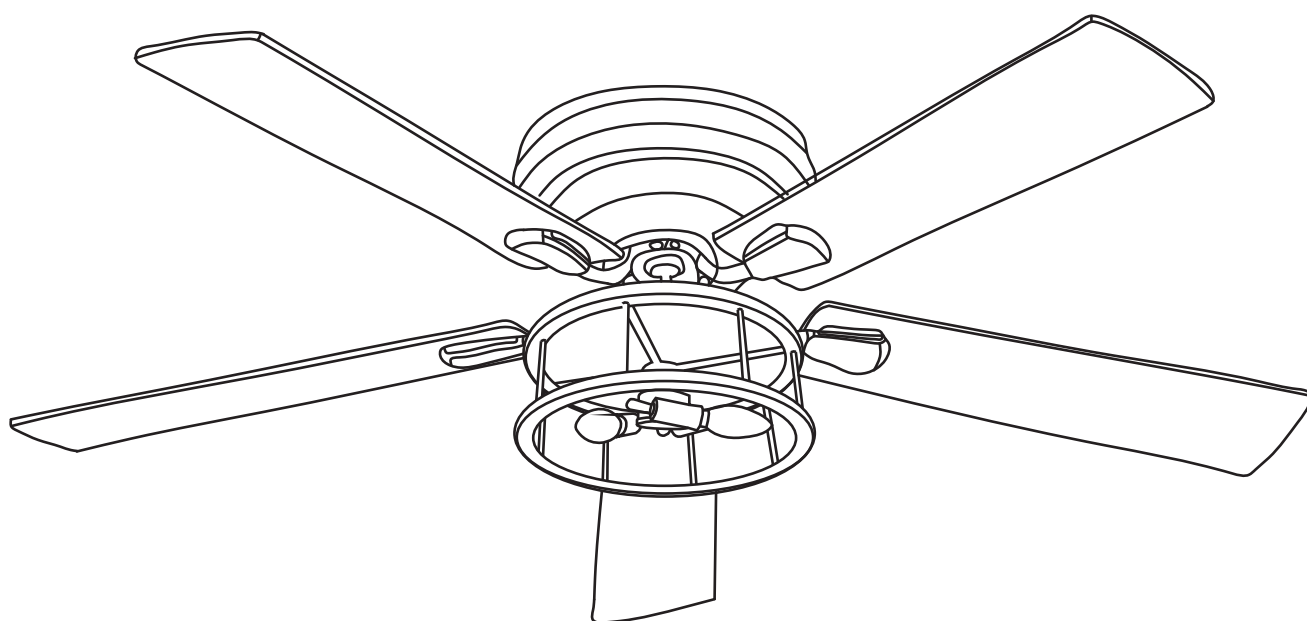


TABLE OF CONTENTS

SAFETY PRECAUTIONS.....	1	BLADES INSTALLATION.....	8
PRE-INSTALLATION.....	3	LIGHT FIXTURE INSTALLATION.....	9
MATERIALS NEEDED.....	3	HOW TO OPERATE YOUR REMOTE.....	10/11
MATERIALS NEEDED.....	4	PARTS INVENTORY.....	12
PREPARING FOR INSTALLATION.....	5	TROUBLESHOOTING.....	13
MOUNTING/INSTALLATION.....	6		
MOUNTING.....	7		

SAFETY PRECAUTIONS

Before beginning the installation of your new ceiling fan, read and follow these safety precautions. If you are not familiar with national and local electrical codes and basic electrical wiring procedures, we recommend that you have a qualified electrician install your new ceiling fan.



ATTENTION PLEASE

- ❖ Before you begin, **TURN OFF THE ELECTRICITY**. Determine which circuit your new fan will be using and remove the fuse or turn off the circuit breaker at the main electrical panel.
- ❖ Make sure that all wiring conforms to national and local electrical codes. If you are in question, obtain a copy of the codes and wire the fan accordingly. Never leave bare wires uncovered (wire connection), use wire nuts to cap all connections. Plastic electrical tape is not recommended.
- ❖ When working with electricity, never take short cuts. Follow the code in every respect. Basic requirements for a ceiling fan installed with lights are, 120 volts AC - 60Hz, on a grounded circuit with a 15 amp breaker or fuse. Make sure that your electrical system and choice of location meet these requirements.
- ❖ If the location where you plan to install your fan does not already have an electrical outlet, hire a licensed electrician to run the wiring and install an outlet box designed for ceiling fans or heavy fixtures. The outlet box should be able to support a minimum moving weight of 50 pounds and marked "Acceptable for Fan Support" (Plastic outlet boxes are not recommended for ceiling fan installation).

- ❖ If you plan to use an existing electrical location, check to make sure that the outlet box is not PLASTIC, that it is securely attached and able to support at least 50 pounds of moving weight and marked “Acceptable for Fan Support”. If you have any questions, outlet boxes and support systems for ceiling fans are available at most hardware and do-it-yourself centers. In most cases, your dealer will have all the necessary products for the proper and safe installation of your ceiling fan.
- ❖ The location you choose should have a minimum clearance of 20 inches from any wall to the blade tip at any point in its rotation and a minimum of 7 feet from blade level to floor and 10 inches from the blades.
- ❖ This ceiling fan was not designed for installation in any location where it might be exposed to moisture or high humidity. Installation in this type of location could be UNSAFE, will most likely damage the fan and its finish... and will VOID YOUR WARRANTY.
- ❖ Every effort has been made to provide you with proper instructions for the safe installation of this ceiling fan. You could however, encounter situations or problems not covered in this manual. Should this occur, please refer to a do-it-yourself wiring handbook or hire a qualified electrician to install your fan.
- ❖ Never attach the blades to your ceiling fan before the fan body is properly mounted on the ceiling.
- ❖ Lubrication of your new ceiling fan is not necessary. The ball bearings have been adequately charged with grease and permanently sealed at the factory so that, under normal conditions, further attention is not necessary.



WARNING

To reduce the risk of fire, electrical shock, or personal injury, mount this fan to an outlet box marked “Acceptable for Fan Support” and use the Mounting Screws provided with the outlet box. CAUTION: Install the primary mounting means and use only the hardware provided with the fan.



WARNING

To reduce the risk of personal injury take care not to bend the blade carriers. Be careful not to insert foreign objects into rotating fan blades.



WARNING

The important safeguards and instructions appearing in this manual are not meant to cover all possible conditions and situations that may occur. It must be understood that common sense, caution and careful attention to detail are factors which cannot be built into this product. These factors must be supplied by the person or persons installing, caring for, and operating the unit.



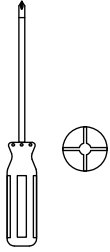
Look at Me!
I have safety Tips and
Ideas for installation

These instructions are designed for a number of similar but different ceiling fans. As you proceed, some steps may or may not apply to the fan you purchased. Compare each step or optional procedure to your fan and proceed accordingly.

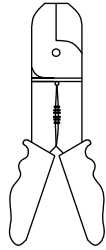
PRE-INSTALLATION

This manual is designed to make it as easy as possible for you to assemble, install, operate and maintain your ceiling fan

Tools Needed for Assembly (Not Included)



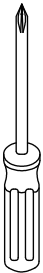
Phillips
screwdriver



Wire strippers/
cutters



One
stepladder



One 1/4" blade
screwdriver

MATERIALS NEEDED

Wiring outlet and connectors of the type required by the local code. The minimum wire would be a 3-con (2-wire with ground) of the following size:

Installed wire length	Wire Size A. W. G
Up to 50 ft.	12
50-100 ft.	12



NOTE: Place the parts from the loose parts bags in a small container to keep them from being lost. If any parts are missing contact your local retailer.



WARNING: Before assembling your ceiling fan, refer to section on proper method of wiring your fan (page 9). If you feel you do not have enough wiring knowledge or experience, have your fan installed by a licensed electrician.

MATERIALS NEEDED

PACKAGE CONTENTS

For your convenience, check-off boxes are provided next to each step. As each step is completed, place a check mark in the box. This will insure that all steps have been completed and will be helpful in finding your place should you be interrupted.




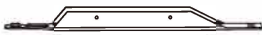
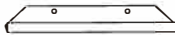
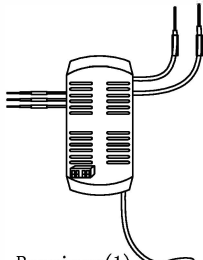
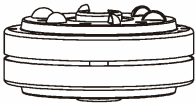

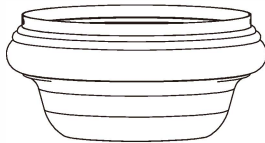


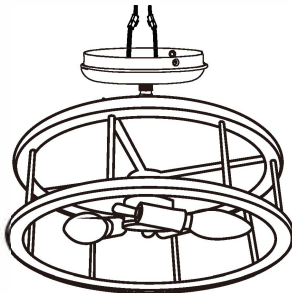





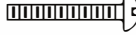


WARNING:

Do not install or use fan if any part is damaged or missing.

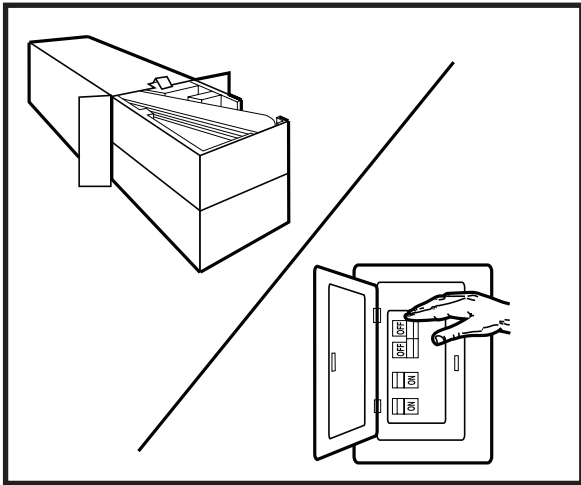
1. Check to see that you have received the following parts:



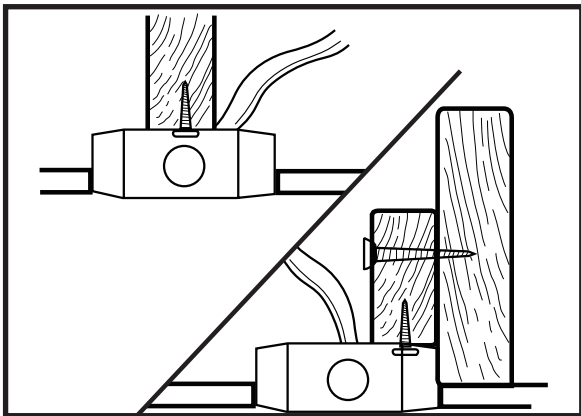
NOTE: If you are uncertain of part description, refer to exploded view illustration provided on the last page of this install manual.

 Mounting bracket	 motor bracket	 remote control receiver mount plate	 Receiver(1) Wire Connectors
 motor assembly	 switch housing	 motor housing	
 blade x5	 blade bracket x5	 light kit x1 Bulb(not included)	 Remote control Battery(not included)
Hardware Bag			
			
			
Wire Connectors(6)	Lock Washer(4)	Flat Washer(4)	Spring Washer(4)
Machine Screw(2)	Wood Screw(2)	Expansion screws(2)	

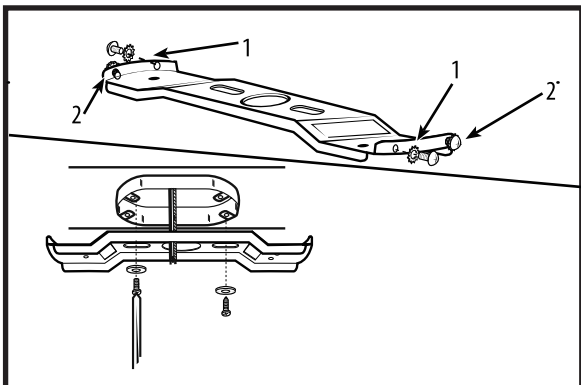
PREPARING FOR INSTALLATION



1. Unpack the carton and inspect the fan carefully to be sure all contents are included. Please kindly keep well with the screws washers and all the other small items in case of missing. Turn off power at fuse box to avoid possible electrical shock.



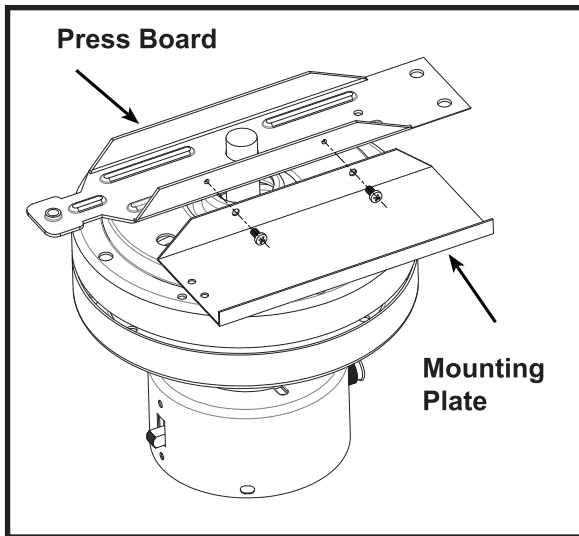
2. Use metal outlet box suitable for fan support (must support 35 lbs). Before attaching fan to outlet box, ensure the outlet box is securely fastened by at least two points to a structural ceiling member (a loose box will cause the fan to wobble).



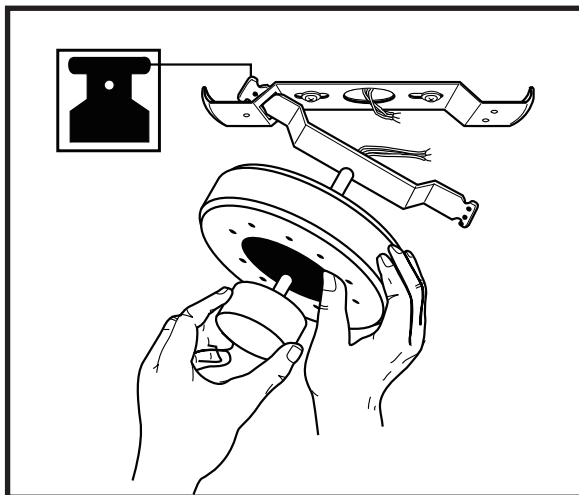
3. MOUNTING BRACKET INSTALLATION

Remove the screws and star washers (1) from the bracket as shown above. Loosen (do not remove) the screws (2) from the bracket as shown above. Install mounting bracket to outlet box in ceiling using the screws and washers provided with the outlet box.

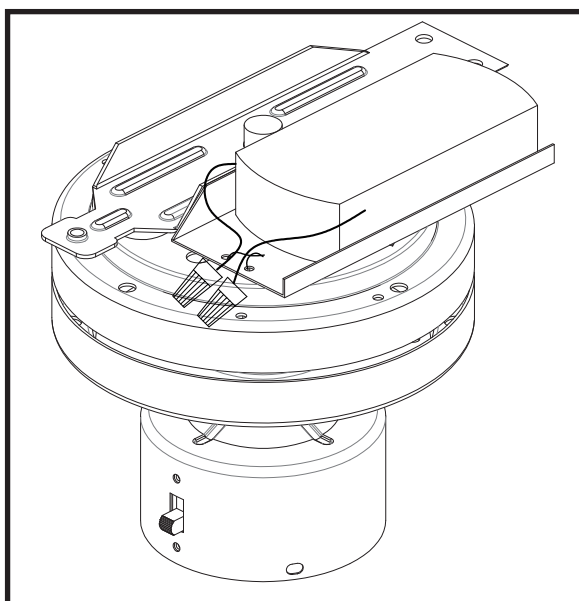
MOUNTING INSTALLATION



1. Attach the remote control receiver mounting plate to the press board on the motor, align the two holes and tighten the 2 screws provided.



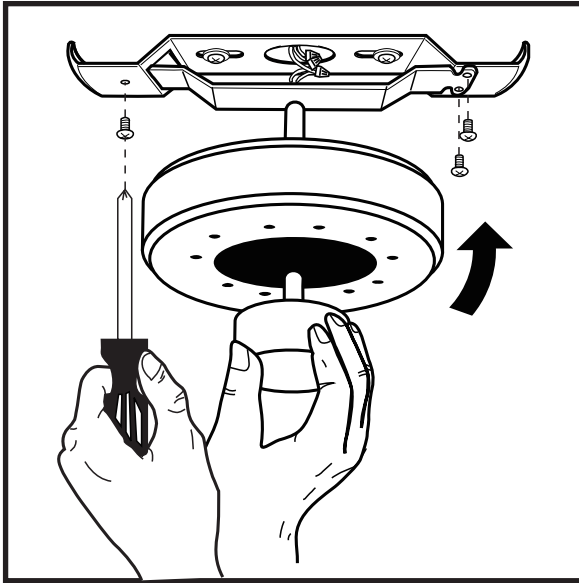
2. Remove screws from motor bracket and mounting plate. Hang fan from mounting plate by inserting "T"-shaped end of bracket into slot opening of mounting plate. This will allow for hands free wiring.



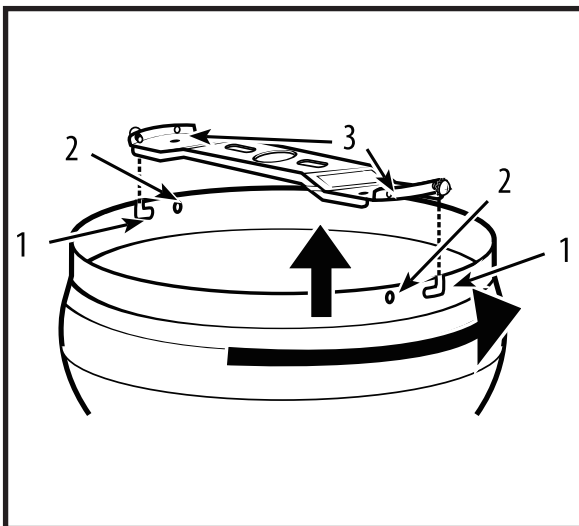
3. Place the remote control receiver on the plate and connect wire and then pull all wires STRAIGHT and TIE them well with provided plastic cable (in screw pack) to prevent motor rotating damage wire and avoid risk of short cut.

Please refer to page10~11for remote controller and receiver installation and operation detail.

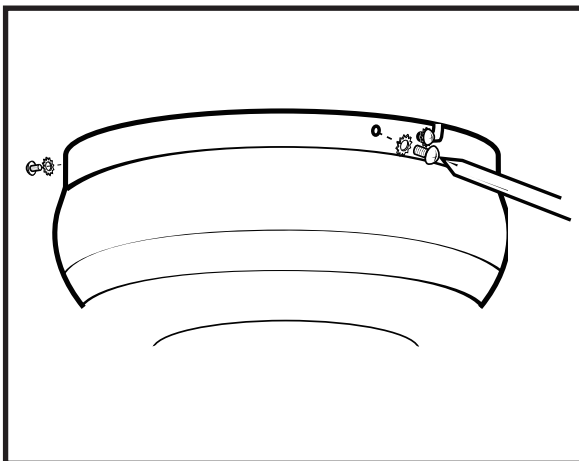
MOUNTING



1. Push motor upward and attach the motor to the mounting plate by tightly securing with screws and washers provided.

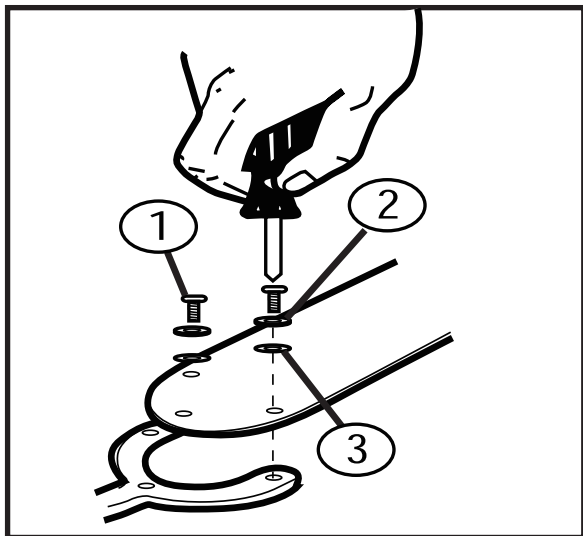


2. The decorative motor housing has two mating slots (1) and two mating holes (2). Position both slots on the motor housing directly under and in line with two screws in the mounting bracket (3). Lift the motor housing, allowing the two screws to slide into the mating slots. Rotate the motor housing counterclockwise until both screws from the mounting bracket drop into the slot recesses. Tighten screws securely.



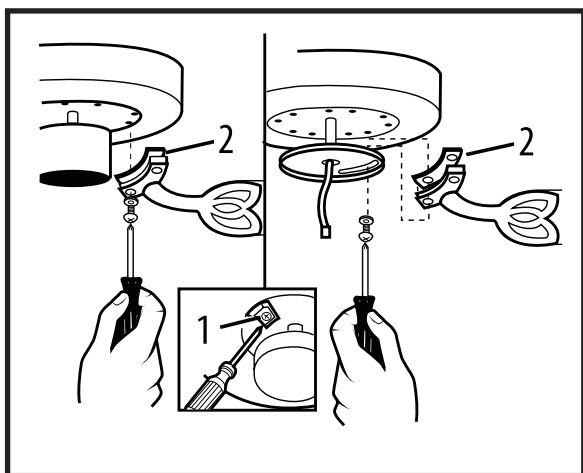
3. Install two screws and star washers into the mating holes of the motor housing and tighten to secure the housing to the mounting bracket.

BLADE INSTALLATION

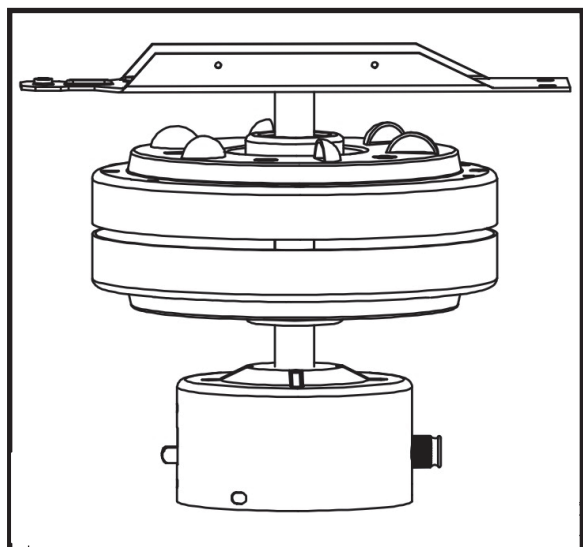


1. Attach blade brackets to blades using the blade bracket screws ①, metal washers ②, and fabric washers ③, if provided. NOTE: Some models do not utilize fabric washers ③.

The blade brackets must be attached to blade before attaching to motor. BE CAUTION the blade brackets not be deformed during installation to avoid fan wobble or noise.

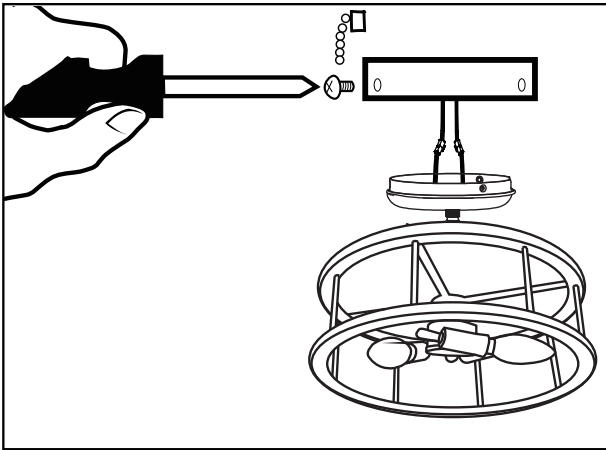


2. Check the motor for plastic shipping stabilizer tabs (1), and remove them if they are present. Attach blade assembly to motor using the noise-dampening motor gaskets (2) and motor screws provided. Tighten screws securely. NOTE: Some models do not utilize motor gaskets, washers, or stabilizer tabs.

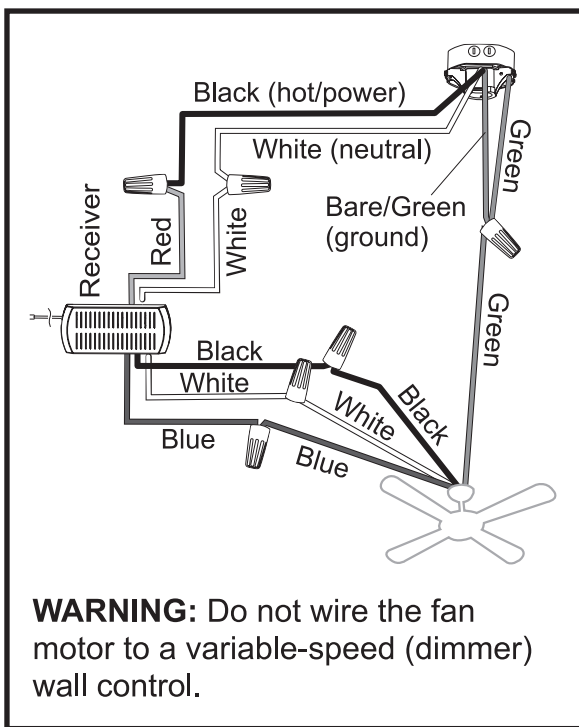


3. Always ensure that fan is set to "OFF" and blades are still prior to changing directions. Reverse switch on fan should ideally be set on "FORWARD" (DOWN position) during hot seasons to move blades in an anticlockwise direction & "REVERSE" (UP position) in cold seasons to make the fan rotate in clockwise direction.

LIGHT FIXTURE INSTALLATION



1. Find the two wires from the switch housing with the tag that says FOR LIGHT. Connect the blue wire from the light kit to the black wire from the switch housing, and connect the white wire from the switch housing to the white wire from the light kit. Attach light kit to the switch housing using three small screws provided.



2. Use wire connectors to connect household supply and receiver wires according to the diagram and the following steps:
 - Connect the green wire from the downrod and mounting bracket to the Bare/Green (ground) supply wire.
 - Connect the Blue wire with the white label to the blue fan wire.
 - Connect the Black wire with the white label to the black fan wire.
 - Connect the White wire with the white label to the white fan wire.
 - Connect the Red wire with the red label to the Black (live) supply wire.
 - Connect the White wire with the red label to the White (neutral) supply wire.

HOW TO OPERATE THE REMOTE

Installation & Operating & Instructions

NOTE: The frequency on your Receiver and Transmitter units have been preset at the factory. Turn the coding switch in the battery compartment on the back of the transmitter to set the required coding combination. The factory default setting is to turn all of them to "ON"; The coding combination settings of the receiver must be consistent with those of the transmitter.

Operating The Hand Held Remote Control

FAN ON/OFF Button :

Press the fan button to turn the fan on/off.

FAN Speed Button(3 speed):

Press the "+"/"-" keys to increase/ decrease the fan speed.

Timer button:

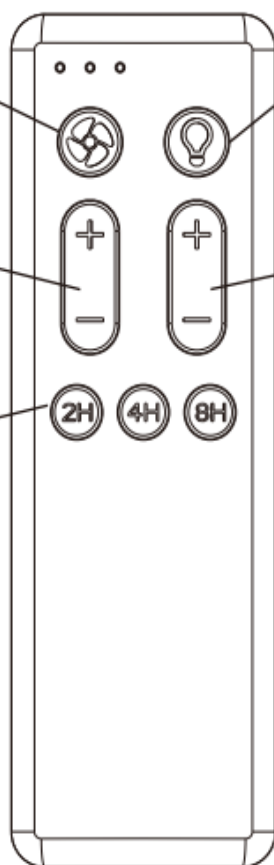
When the fan is on, press the timer button "2H"/"4H"/"8H" to set the fan to turn off regularly in 2 hours/4 hours/8 hours.

LIGHT ON/OFF Button:

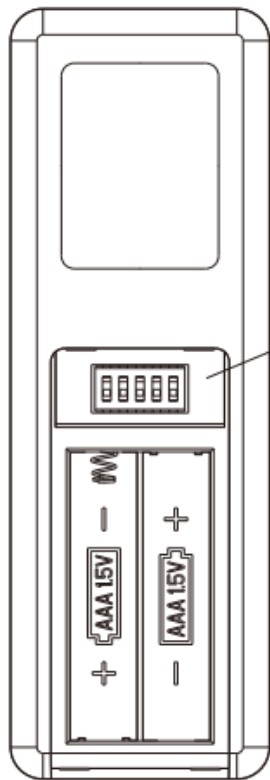
Press the light button to control the light on/off.

Light Brightness Button:

Press the "+"/"-" keys to increase/ decrease the brightness of the light.
Working with dimmable bulbs only.




Install two AAA, 1.5v battery (not included). Remove the battery if not used for long periods of time to prevent damage to the hand held remote.



Coding switch:
Toggle the coding switch in the battery compartment on the back of the transmitter to set the required coding combination.
The encoding combination settings of the receiver must match the transmitter.


Learning/Pairing Process for Multiple Fan Installation

NOTE: After the AC power is on, do not press any other button on the remote control before pressing the () (FAN ON/OFF) button. Doing so will cause the procedure to fail.

Should you desire to install more than one fan in the home, please install one by one using the steps below to insure one remote operates each fan independently :

Step 1: Turn off the main power source to all fans to begin the learning process on any single fan.

Step 2: Supply power to only one fan at a time for pairing, the rest remain off by use of your wall mounted power switch.

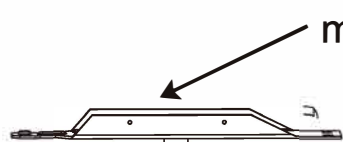
Step 3: Within 30 seconds of turning the fan's AC power ON, press and hold the  button for 5 seconds to enter the learning function. Once the receiver has detected the set frequency, a beeping sound is emitted when pairing is complete.

Step 4: Repeat steps 1, 2 and 3 with each individual fan to insure one remote does not operate multiple fans.

PARTS INVENTORY



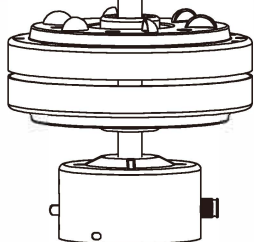
Mounting bracket



motor bracket



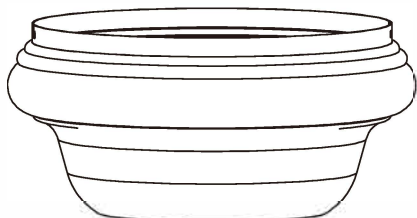
remote control receiver mounting plate



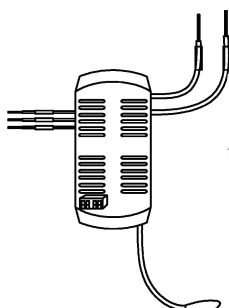
motor assembly



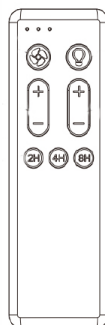
switch housing



motor housing



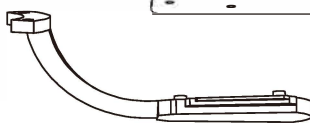
Receiver Wire Connectors



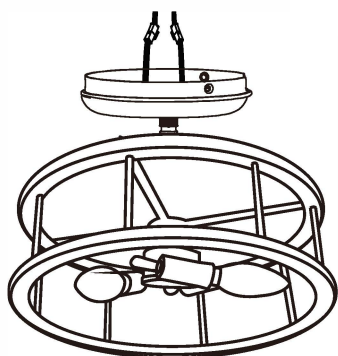
Remote



blade **x5**



blade bracket **x5**



light kit **x1**

TROUBLESHOOTING

1. Fan will not start:

1. Check circuit fuses or breakers.
2. Check all electrical connections to insure proper contact.
CAUTION: Make sure the main power is OFF when checking any electrical connection.

2. Fan sounds noisy:

1. Make sure all motor housing screws are snug.
2. Make sure the screws that attach the fan blade brackets to the motor are tight.
3. Make sure wire nut connections are not rubbing against each other or the interior wall of the switch housing. **CAUTION:** Make sure main power is off.
4. Allow a 24-hour "breaking-in" period. Most noise associated with a new fan disappears during this time.
5. If using an optional light kit, make sure the screws securing the glassware are tight. Make sure the light bulbs are not touching any other component.

3. Fan wobble:

1. Check that all blade and blade arm screws are secure.
2. Most fan wobbling problems are caused by uneven blade levels. Check this level by selecting a point on the ceiling above the tip of one of the blades.
3. Measure this distance. Rotate the fan until the next blade is positioned for measurement. Repeat for each blade. This distance deviation should be equal within 1/8".
4. Use the enclosed Blade Balancing Kit if the blade wobble is still noticeable. If the blade wobble is still noticeable, interchanging two adjacent (side by side) blades can redistribute the weight and possibly result in smoother operation.