

# ASSEMBLY INSTRUCTIONS

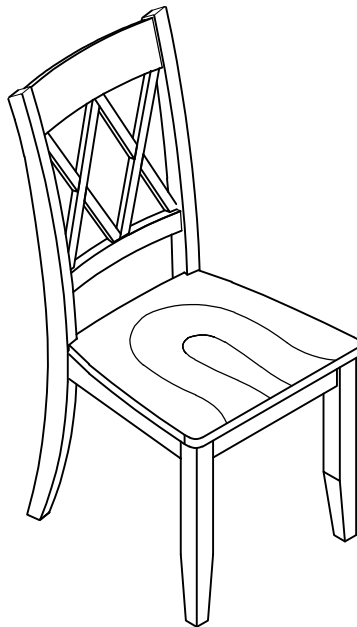
## DINING CHAIR

### IMPORTANT NOTE :










\*\* PLACE ALL PARTS ON A CLEAN AND SMOOTH SURFACE SUCH AS A RUG OR CARPET TO AVOID THE PARTS FROM BEING SCRATCHED.

\*\* BEFORE YOU BEGIN, KINDLY FOLLOW THE ASSEMBLY INSTRUCTIONS STEP BY STEP.

\*\*DO NOT TIGHTEN ALL SCREWS AND BOLTS UNTIL THE CHAIR IS FULLY SET-UP.

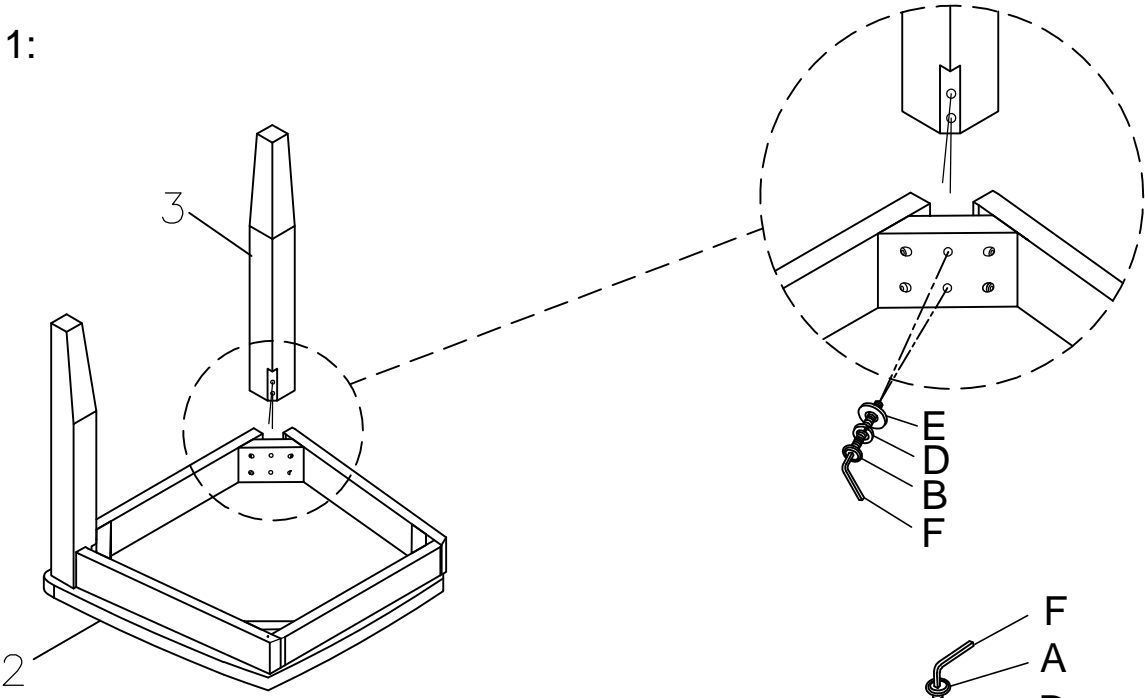


CARTONS ONLY ONE/ CARTONS SEULEMENT UN

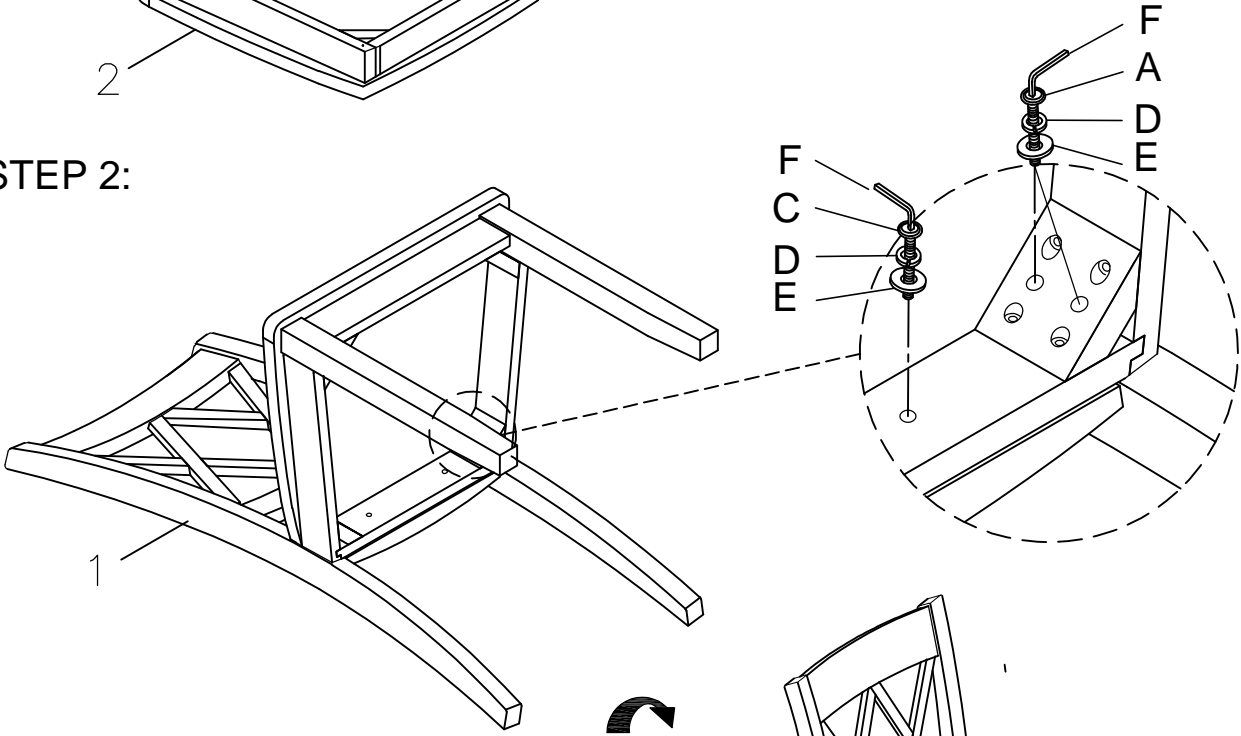
PART LISTS				HARDWARE LISTS			
NO.	DESCRIPTION	SKETCH	Q'TY	NO.	DESCRIPTION	SKETCH	Q'TY
1	CHAIR BACK		1 PC	A	BOLT Ø1/4" x 75mmL		4PCS
2	SEAT		1 PC	B	BOLT Ø1/4" x 60mmL		4PCS
3	FRONT LEGS		2 PCS	C	BOLT Ø1/4" x 38mmL		2PCS
				D	SPRING WASHER Ø1/4" x 13mmL		10PCS
				E	FLAT WASHER Ø1/4" x 19mmL		10PCS
				F	ALLEN KEY		1PC

# ASSEMBLY INSTRUCTIONS

STEP 1:



STEP 2:



STEP 3:

