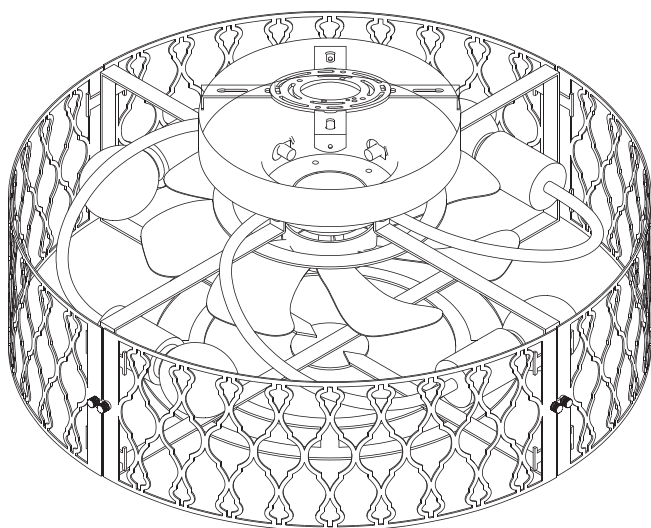


---

# Ceiling Fan With Light User Manual



# Notice Before Installation

1. Not compatible with a dimmer switch, Please use a regular ON/OFF wall button switch or the included remote.
2. Contact us via order page if any damaged / missing parts / other questions.  
(Reply within 6 hours / Free Replacement Partial Refund)
3. Although the installation is simple, for safety reasons, we recommend having a professional electrician complete the installation.

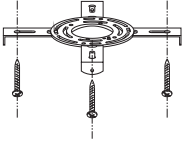
Q

## Warning!

- 1) Please install by professional.
- 2) The voltage available for  AC110V  AC127V  AC220V  AC85-265V only.
- 3) Don't install the lighting fixture under moist condition.
- 4) Please switch off the power when you clean the lighting fixture.
- 5) Keep away from acidic & corrosive material.

# Package includes

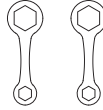
Check to see that you have received the following parts:



Hanging Bracket



screw driver



M4/M10 wrench



M4 screw



Hook



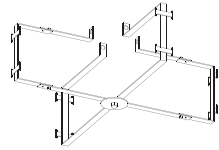
Left-handed nut



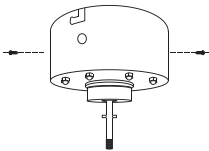
Hexagon cap nut



Safety net cover



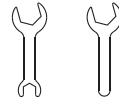
Cross lamp holder



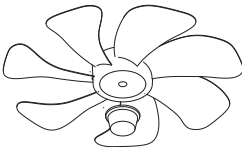
Motor+bracket



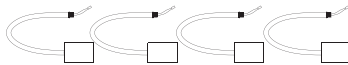
Hand-Held Remote



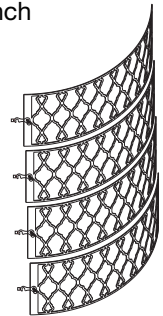
open-end wrench



Blades

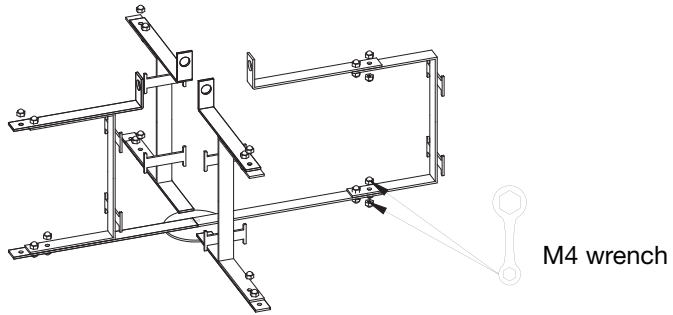


Elbow Lamp arm

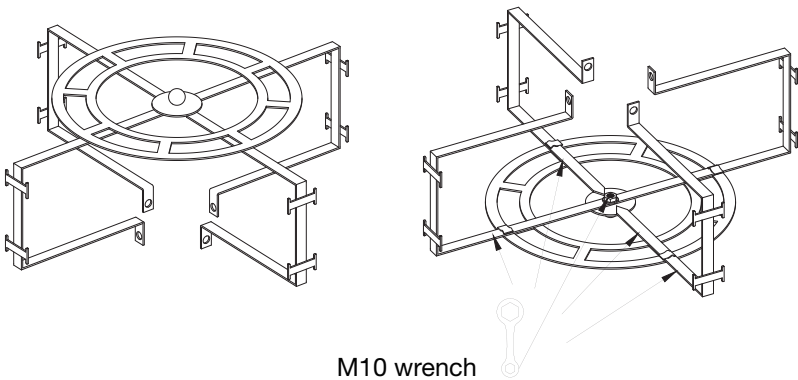


lamp bodies

# How to assemble ?

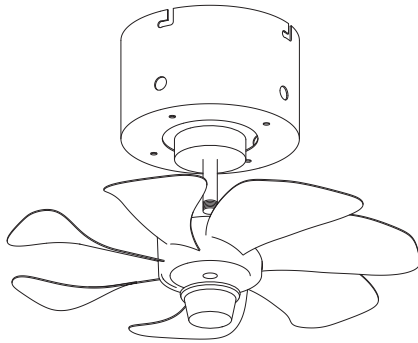


Step1: Unfold the lamp body frame and lock it tight with M4 screw nut + M4 wrench.

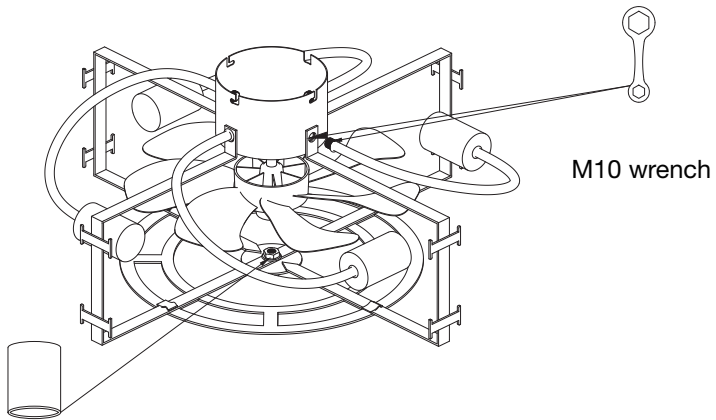


Step2: Fix the safety cover ring to the lamp holder bracket by rotating it into the clips, then turn this whole finished piece up side down and lock the bracket tight at the clips'and central point by M10 wrench and M10 anti-backout nut caps.

# How to assemble ?

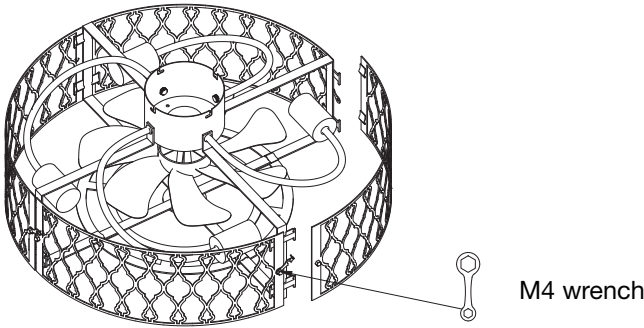


Step3: Install the blades, and fasten the blade cap anticlockwise.

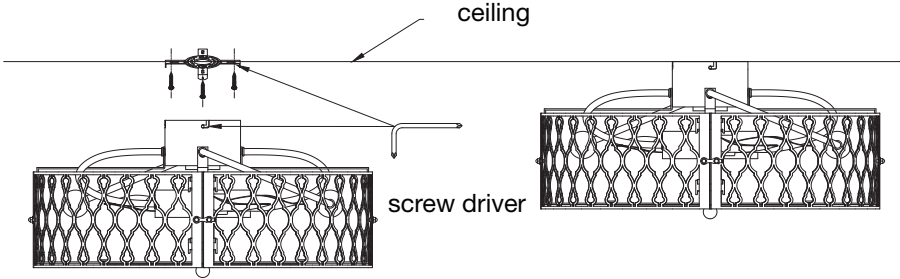


Step4: Put the paper tube under the fan blades, pass the wire through the hole on the motor housing, and fix the lamp arms onto it tight by M10 wrench and M10 anti-backout screw nuts, and adjust the lamp holders to the same level as the blades.

# How to assemble ?



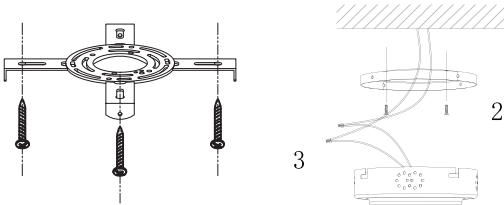
Step5: Insert the bracket into the opened clips on the mesh frame pieces, then close the clips and lock them tight by M4 screw nut caps and M4 wrench.



Step6: Fix the hanging bracket to the ceiling, connect the power cable, install the light bulbs, and fasten the canopy to the bracket tight by M4 screws and M4 wrench.

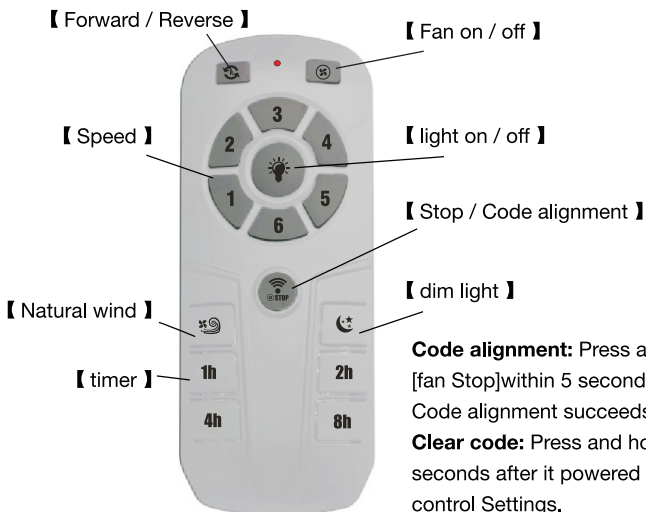
# How to Install to the ceiling ?


1. Thread the power cable to the hole of the hanging bracket.
2. Fix the bracket to the ceiling by wood or expansion screws.
3. Connect the live wire and the neutral wire of the lamp body to the power cable separately.
4. Fix the the canopy to the bracket by fastening the screws on the sides





Connect the black wire to the live wire (L).  
Connect the white wire to the neutral wire (N).

## Variable Frequency Fan Lamp Remote Control Manual



**Code alignment:** Press and hold  [fan Stop] within 5 seconds when it powered on. Code alignment succeeds when the indicator flashes

**Clear code:** Press and hold [fan speed4+ ] within 5 seconds after it powered on [fan speed3+ ] Wall control Settings.