





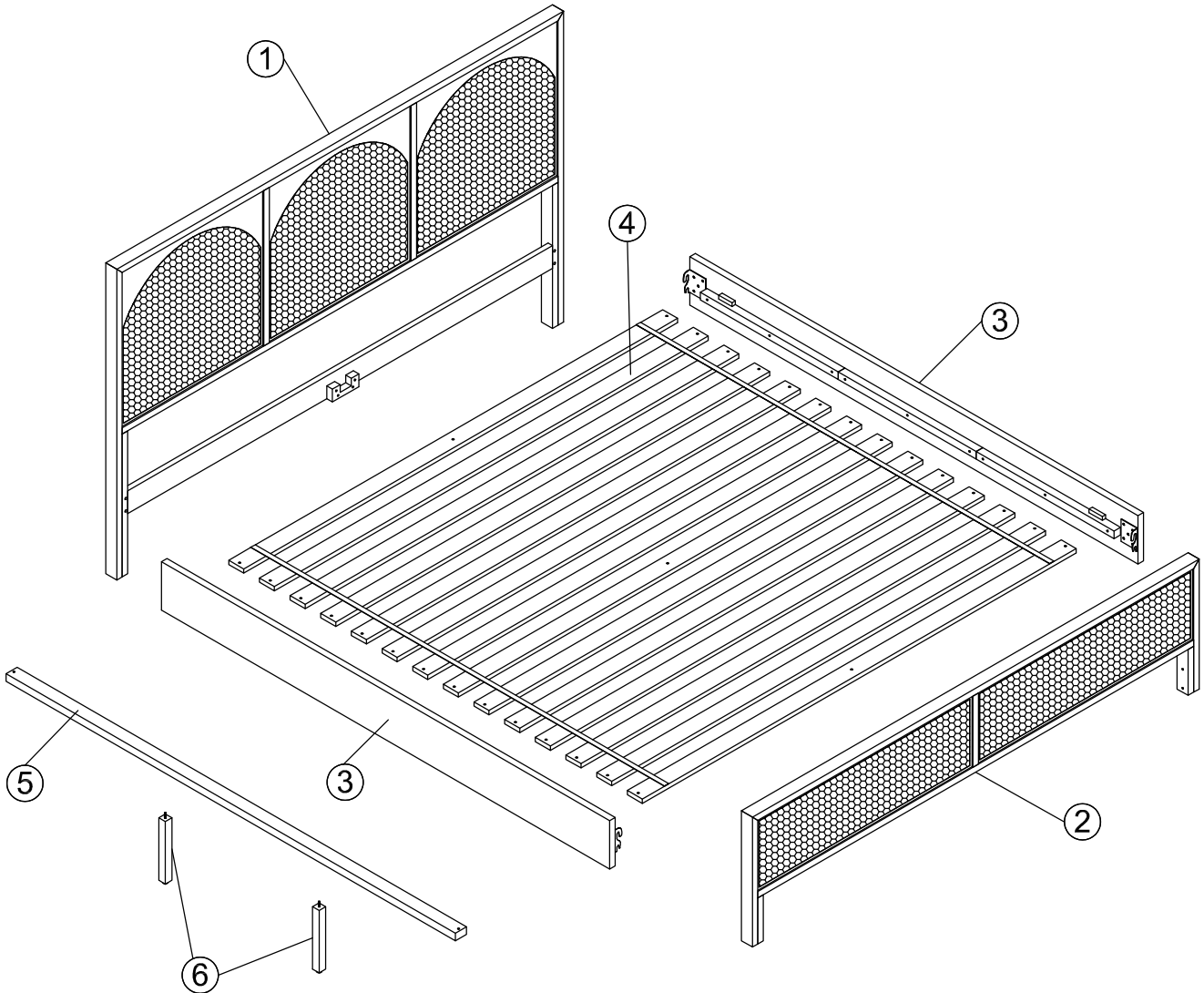
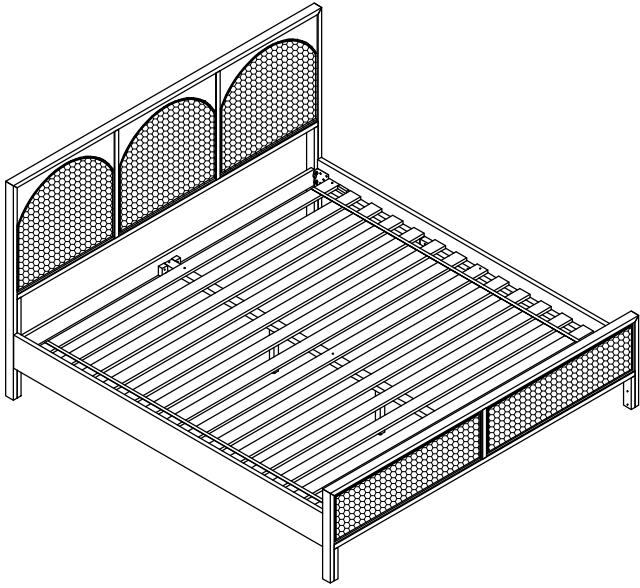


ASSEMBLY INSTRUCTION FOR MODEL: KING/ QUEEN BED

HARDWARE LIST				
A		Bolt	Ø8 x 20mm	8
B		Lock Washer	Ø9 x Ø13mm	8
C		Flat Washer	Ø8 x Ø20mm	8
D		Allen Key	4 x 110mm	1
E		Screw	Ø4 x 35mm	2
F		Screw	Ø4 x 25mm	9



ASSEMBLY INSTRUCTION FOR MODEL: KING/ QUEEN BED

