

# ASSEMBLY INSTRUCTIONS

## SKU CODE: ( WF305613)

Made in Vietnam

Distributed in the USA by:

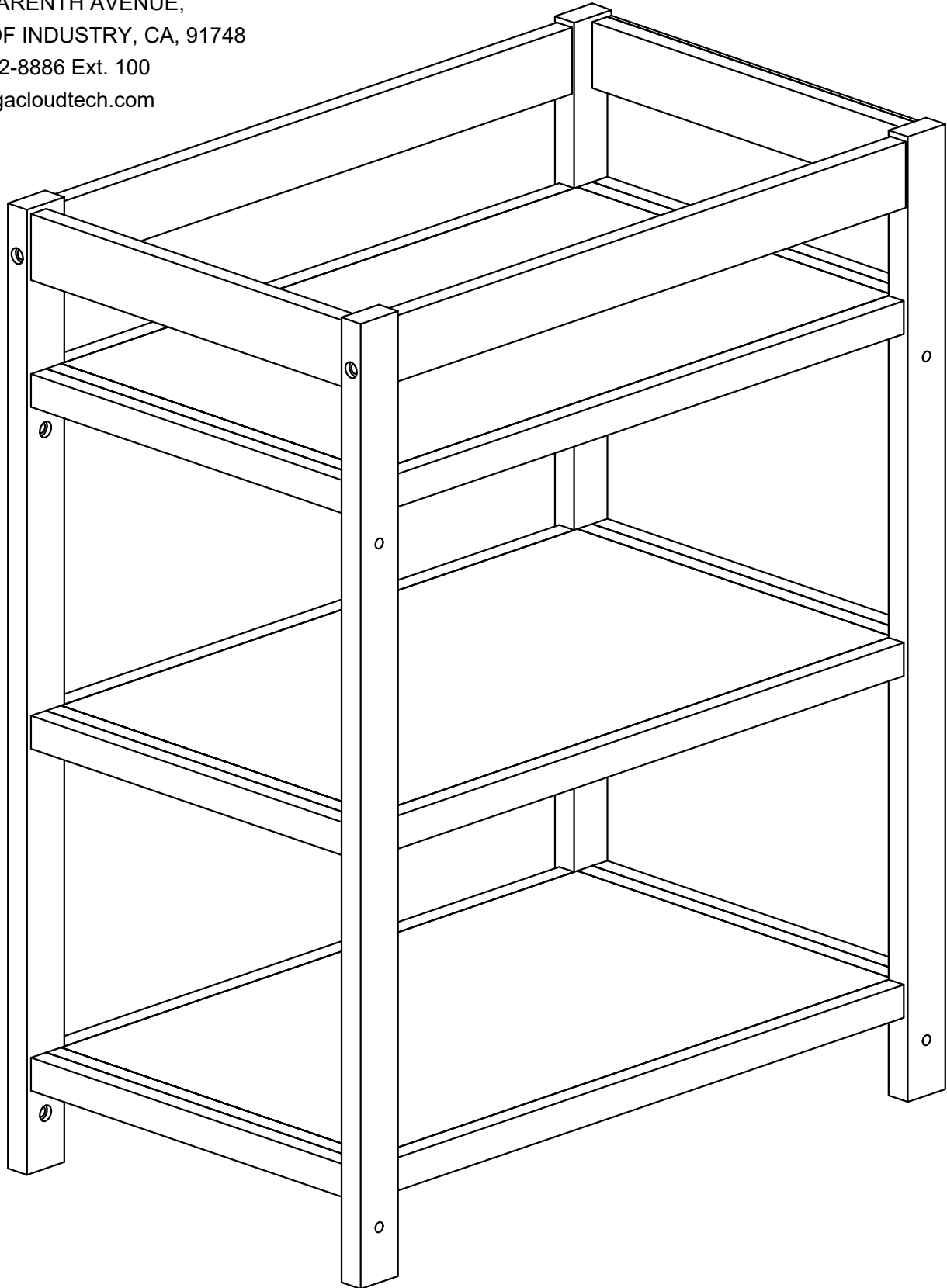
GIGACLOUD TECHNOLOGY(USA) INC

18961 ARENTH AVENUE,

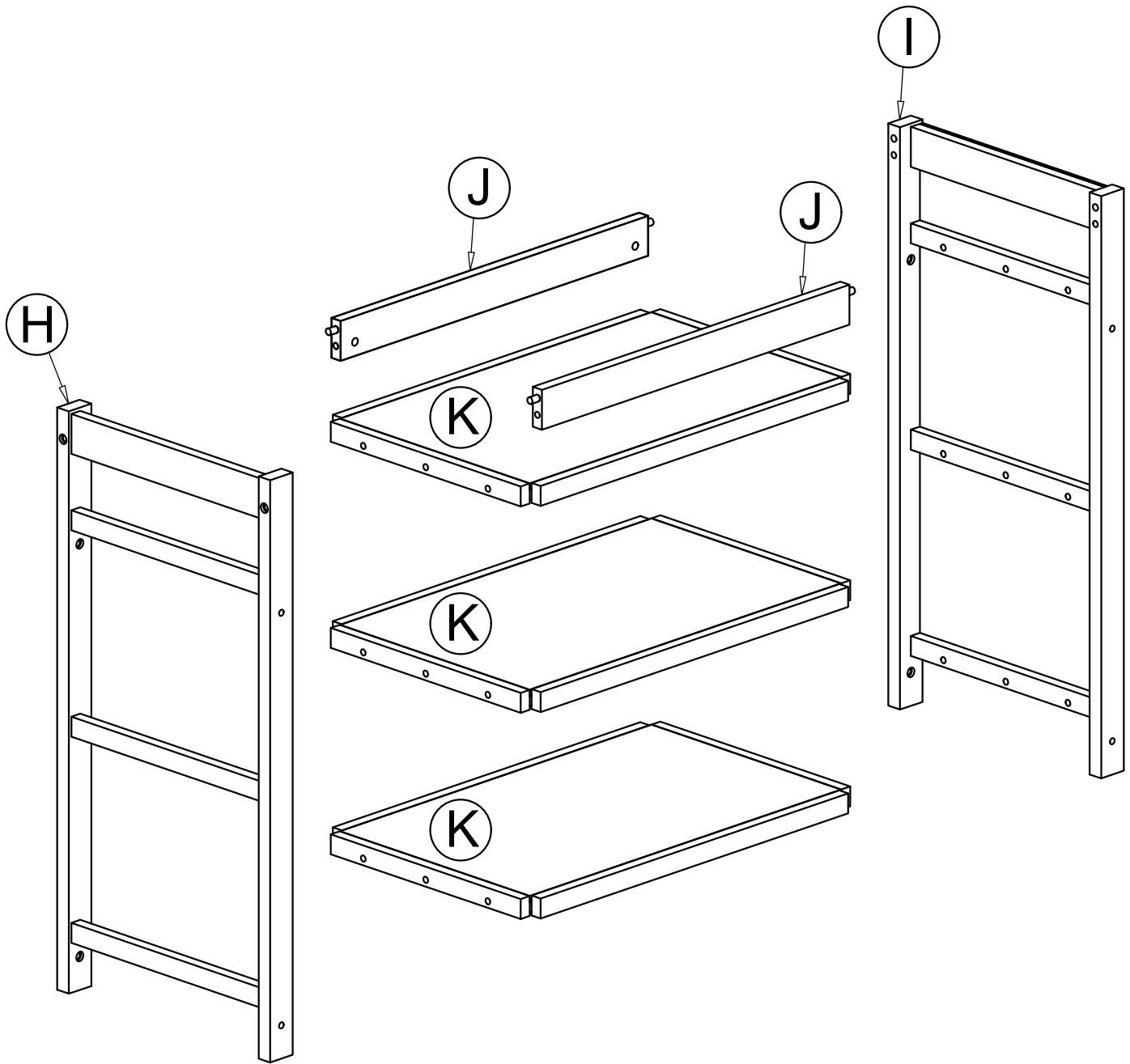
CITY OF INDUSTRY, CA, 91748

626-912-8886 Ext. 100

bs@gigacloudtech.com

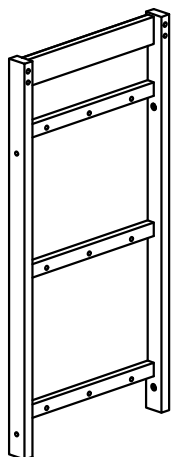


# ASSEMBLY INSTRUCTIONS



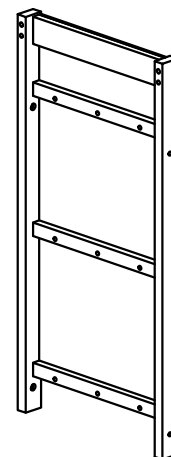
# Part list & Hardware list (WF305613)

H



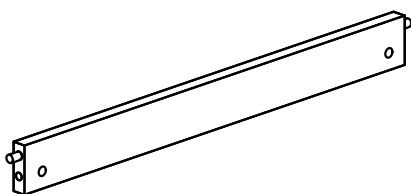
Front frame - 1pc

I



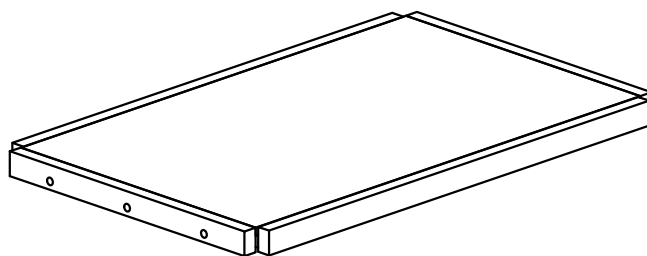
Back frame - 1pc

J



Side support bar - 2pcs

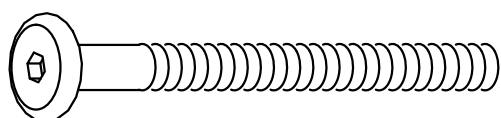
K



Shelf - 3pcs

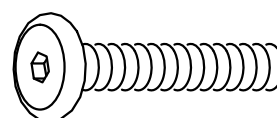
## Hardware list (WF305613)

1



M6 x 70mm  
Hex - Head bolts 4pcs

2



M6 x 30mm  
Hex - Head bolts 16pcs

3



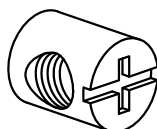
Ø10/Ø8mm  
Lock washers 24pcs

4



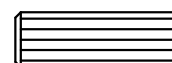
Ø16/Ø8mm  
Plain washers 24pcs

5



M6 x 12mm  
Horizontal - Hole bolts 4pcs

6



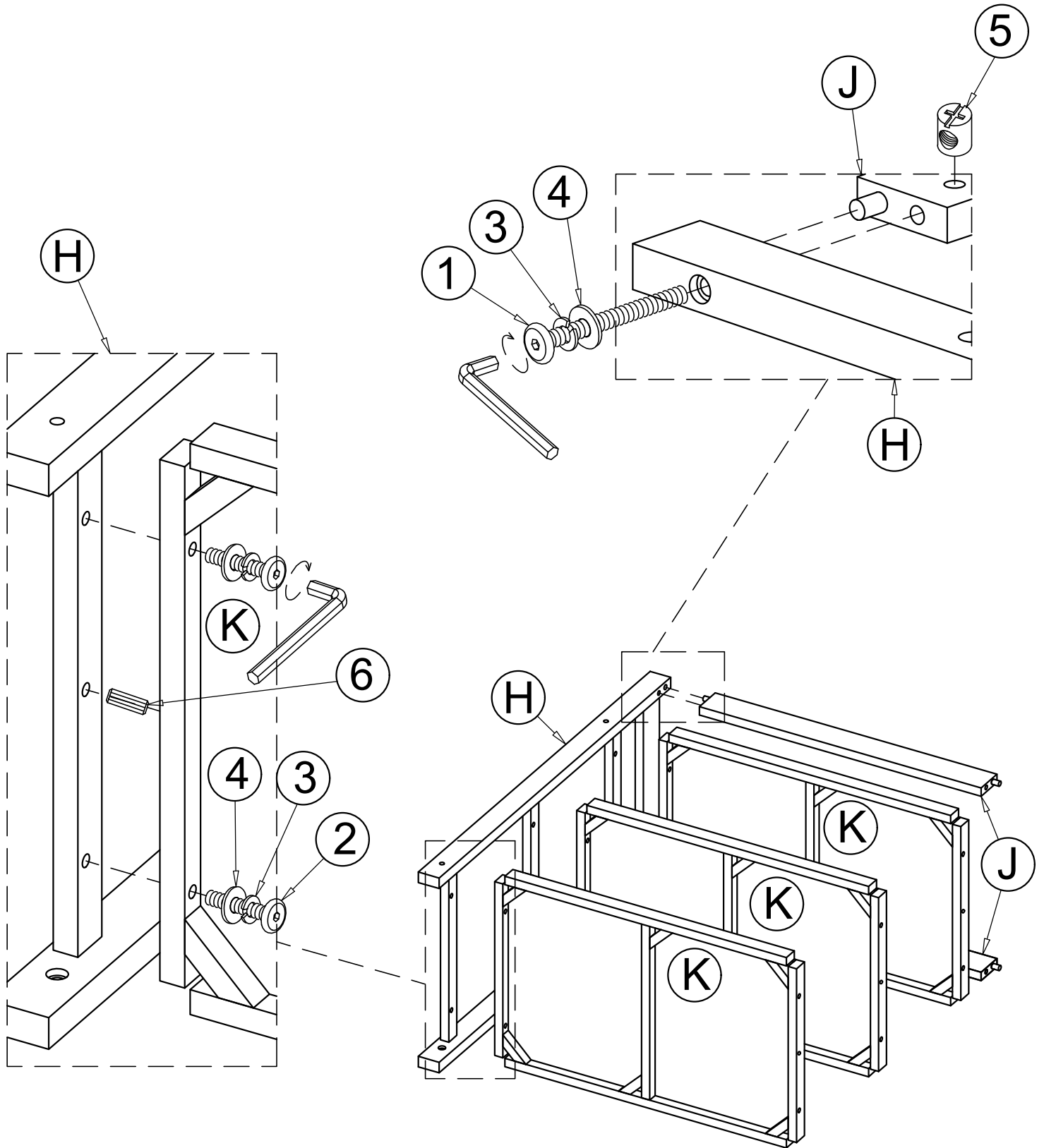
Ø8 x 20mm  
Wood dowel 6pcs

7



Allen Key 1pc

# Step 1:



①



Q.ty: 2pcs

②



Q.ty: 6pcs

③



Q.ty: 8pcs

④



Q.ty: 8pcs

⑤



Q.ty: 2pcs

⑥

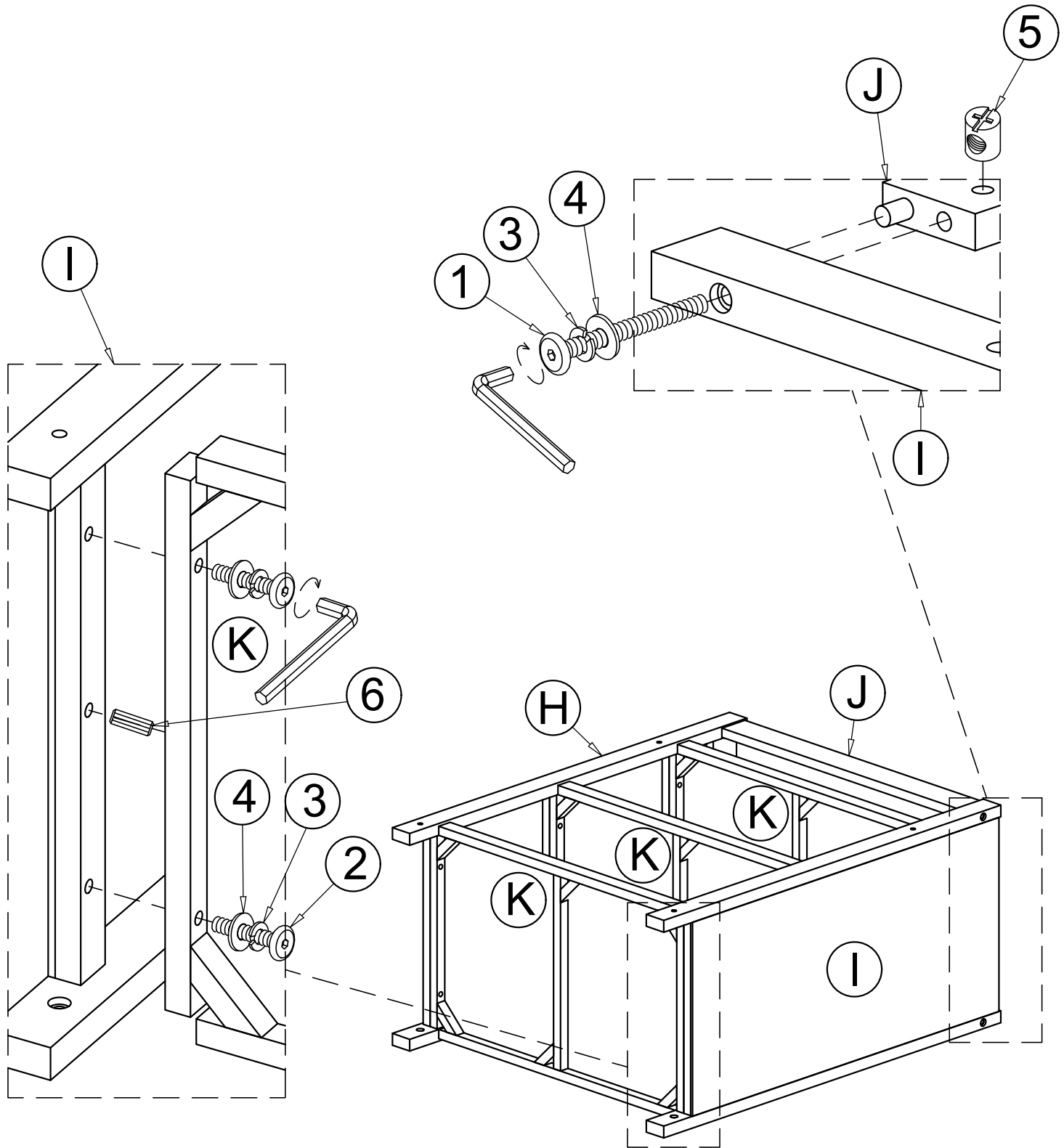


Q.ty: 3pcs

⑦



# Step 2:



①



Q.ty: 2pcs

②



Q.ty: 6pcs

③



Q.ty: 8pcs

④



Q.ty: 8pcs

⑤



Q.ty: 2pcs

⑥



Q.ty: 3pcs

⑦



# Attach Shelf to Crib (WF305615/WF305616)

Left side frame  
of crib or Right  
side of frame crib

