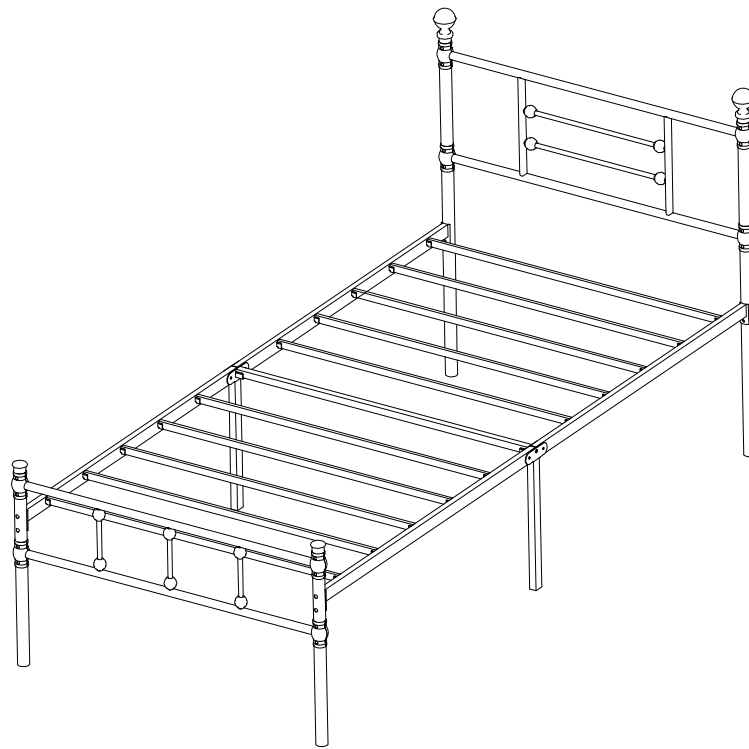


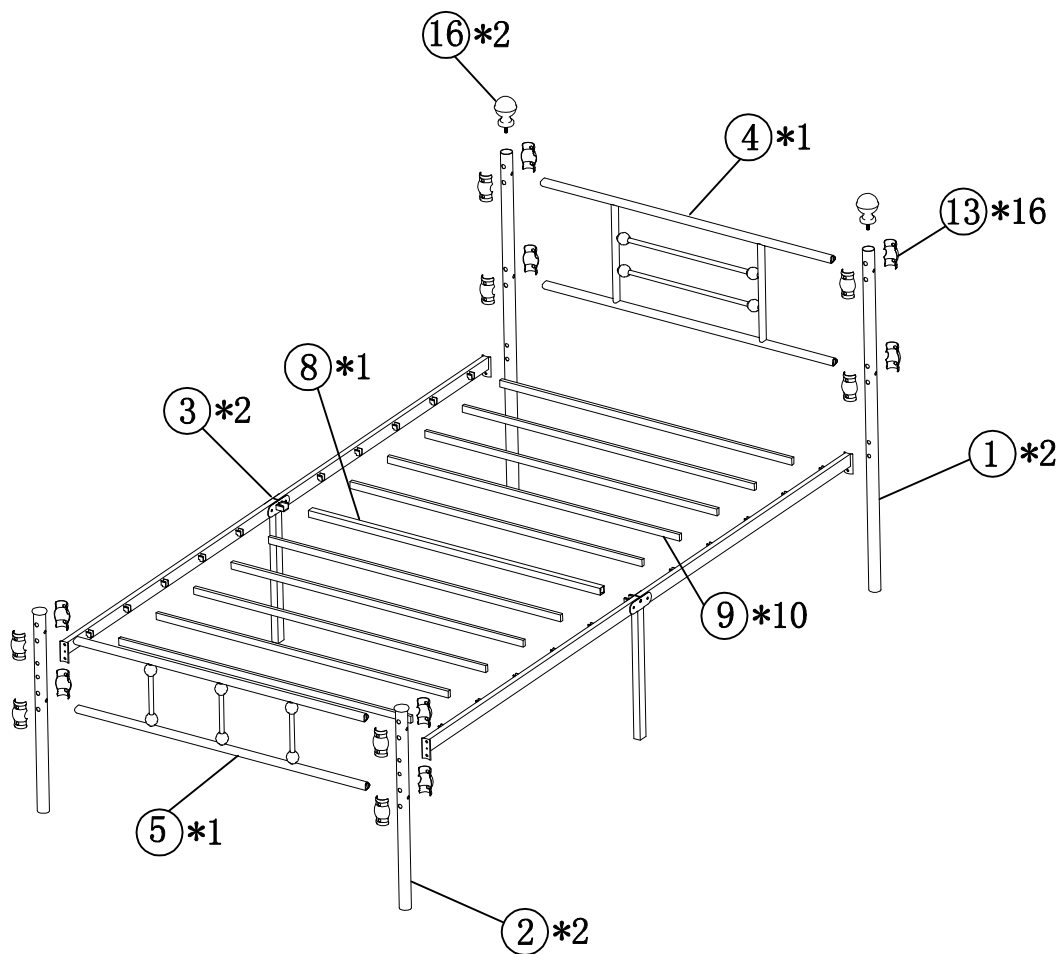
ASSEMBLY INSTRUCTION

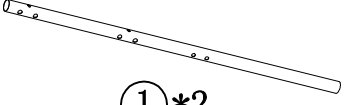



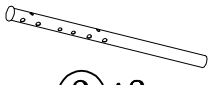
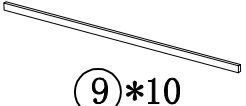


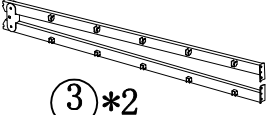



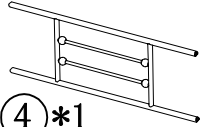

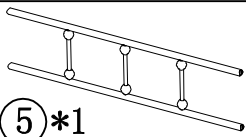
If you have any questions about the product,
please don't hesitate to contact us.



Size: Twin/Twin XL

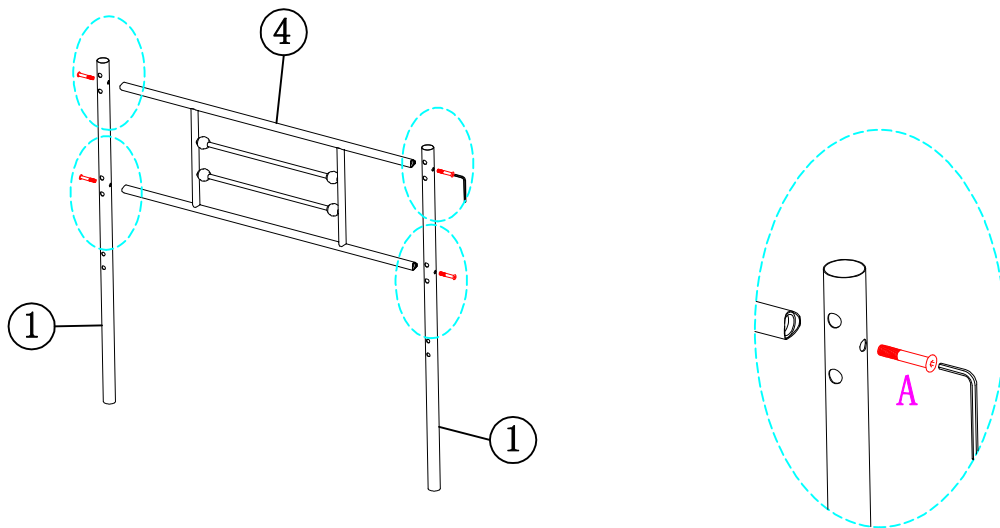
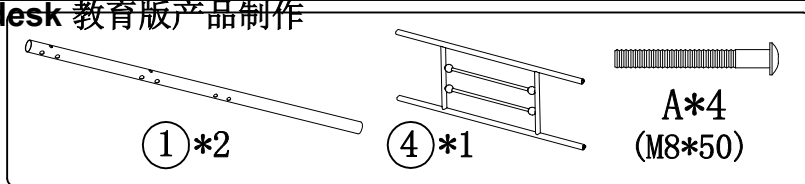
R3201/02-B



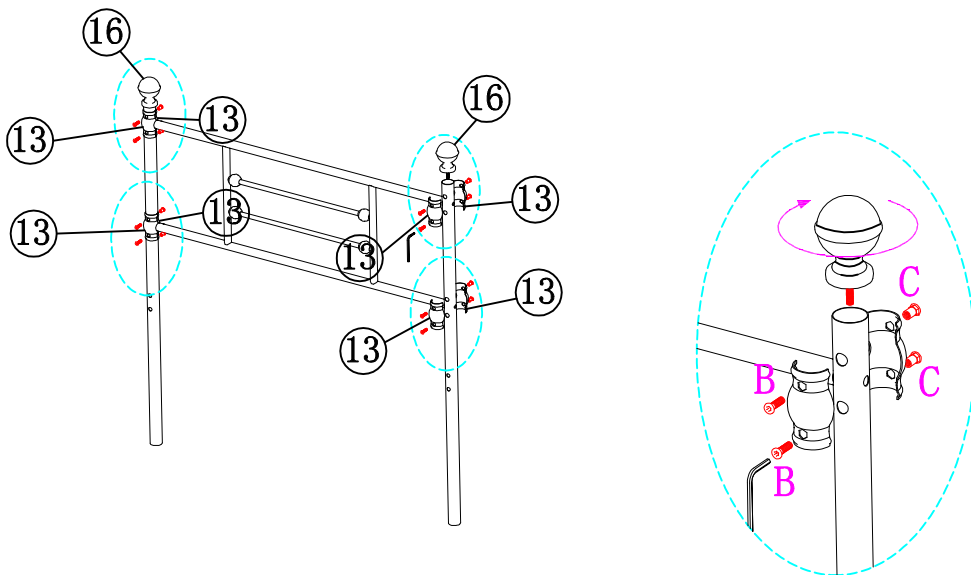
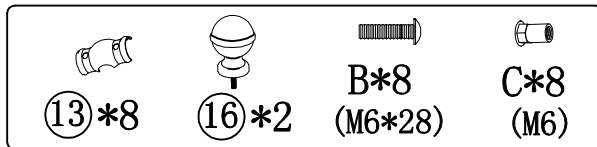
 ① * 2	 ⑧ * 1	 A * 8 (M8 * 50)	 D * 8 (M8 * 40)
 ② * 2	 ⑨ * 10	 B * 16 (M6 * 28)	 E * 2 (M8 * 35)
 ③ * 2	 ⑬ * 16	 C * 16 (M6)	 G * 1
 ④ * 1	 ⑯ * 2		
 ⑤ * 1			

Step1

由 Autodesk 教育版产品制作



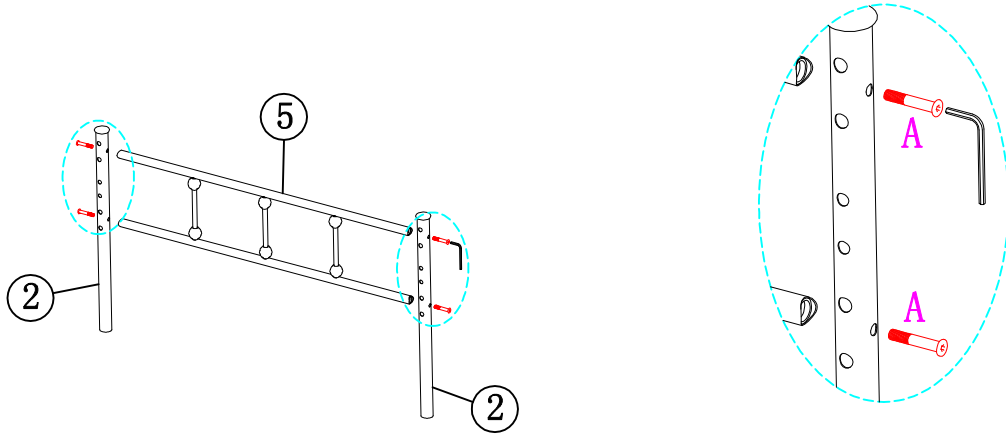
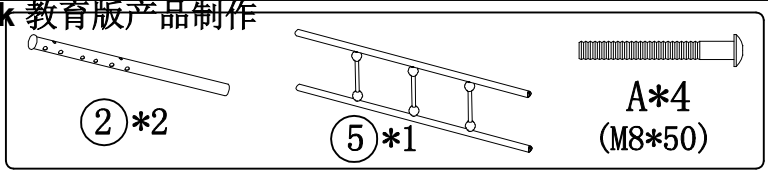
Step2



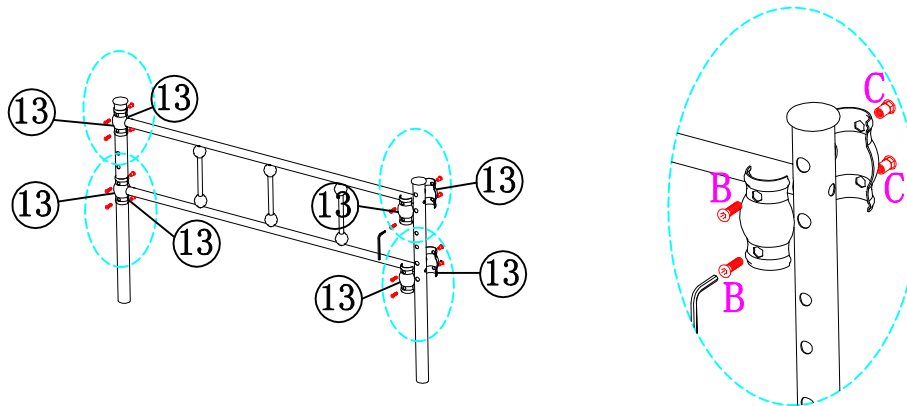
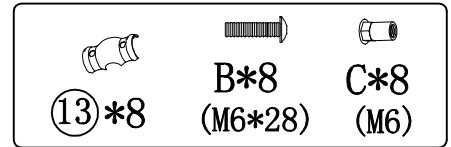
由 Autodesk 教育版产品制作

Step3

由 Autodesk 教育版产品制作

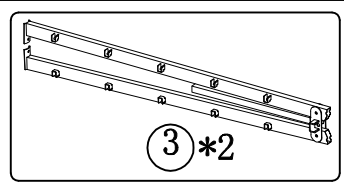


Step4

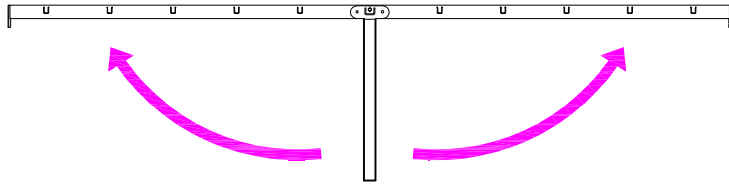
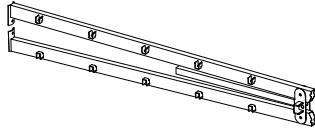


由 Autodesk 教育版产品制作

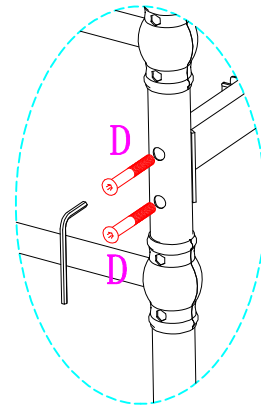
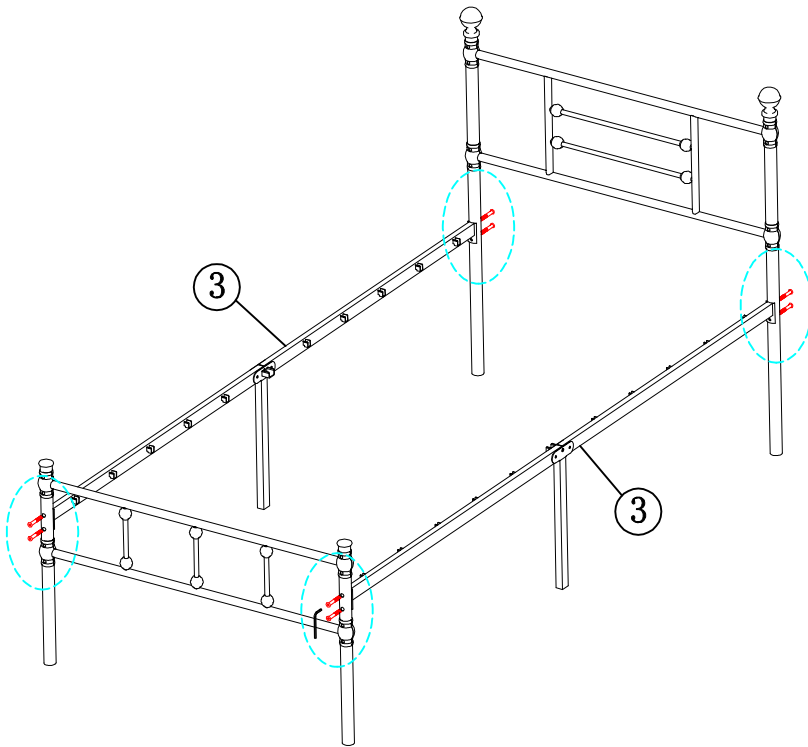
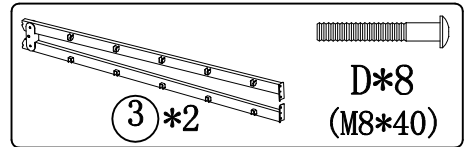
Step5



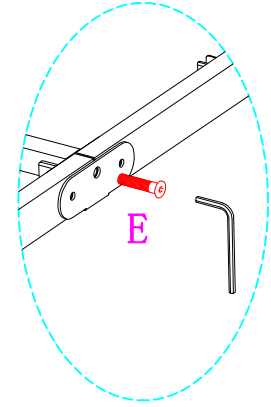
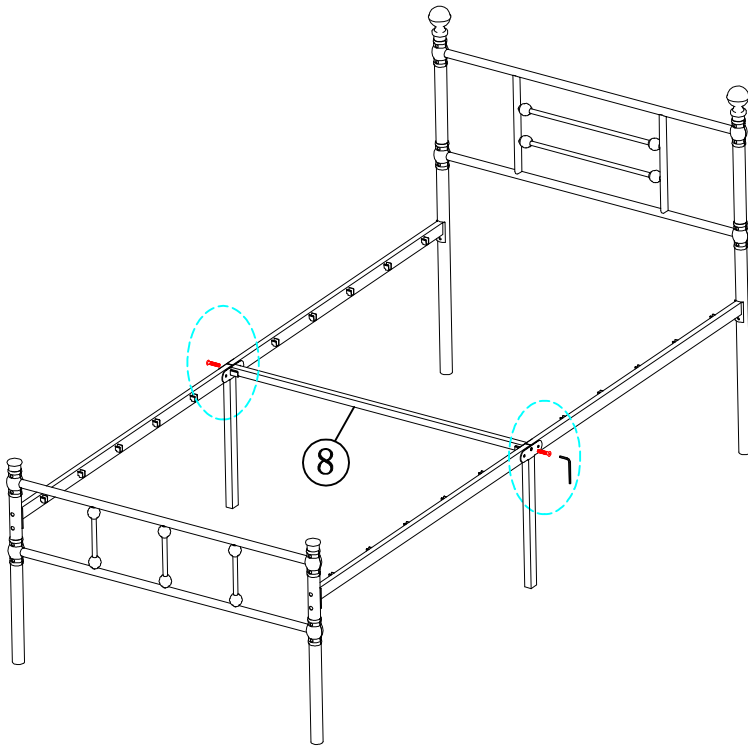
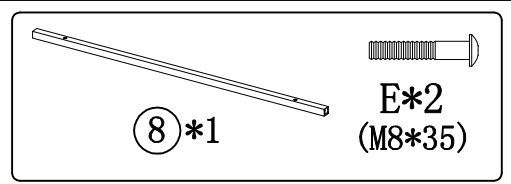
(3)*2



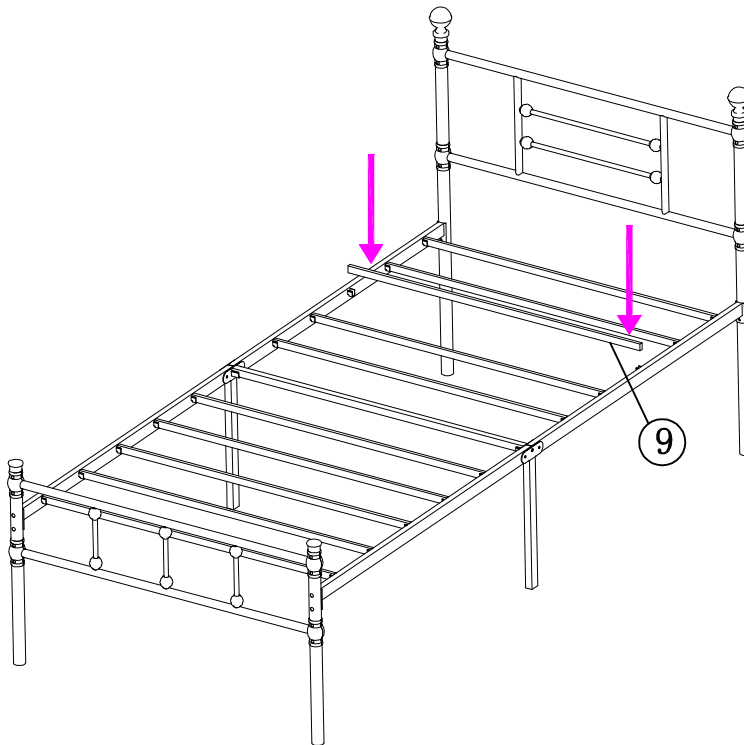
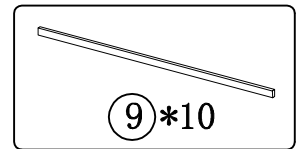
Step6



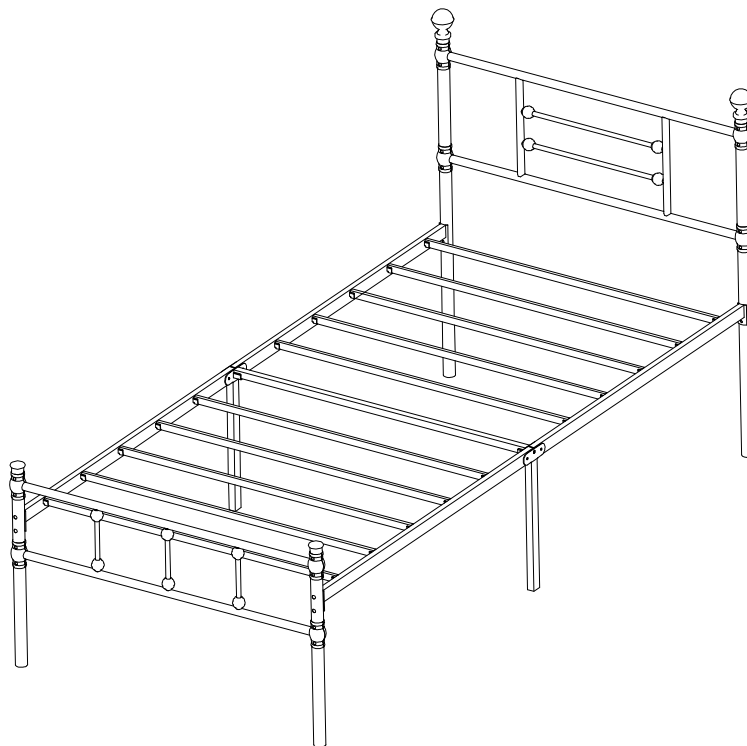
Step7



Step8



Step9



In the last step. please make sure all the screws are tightened.