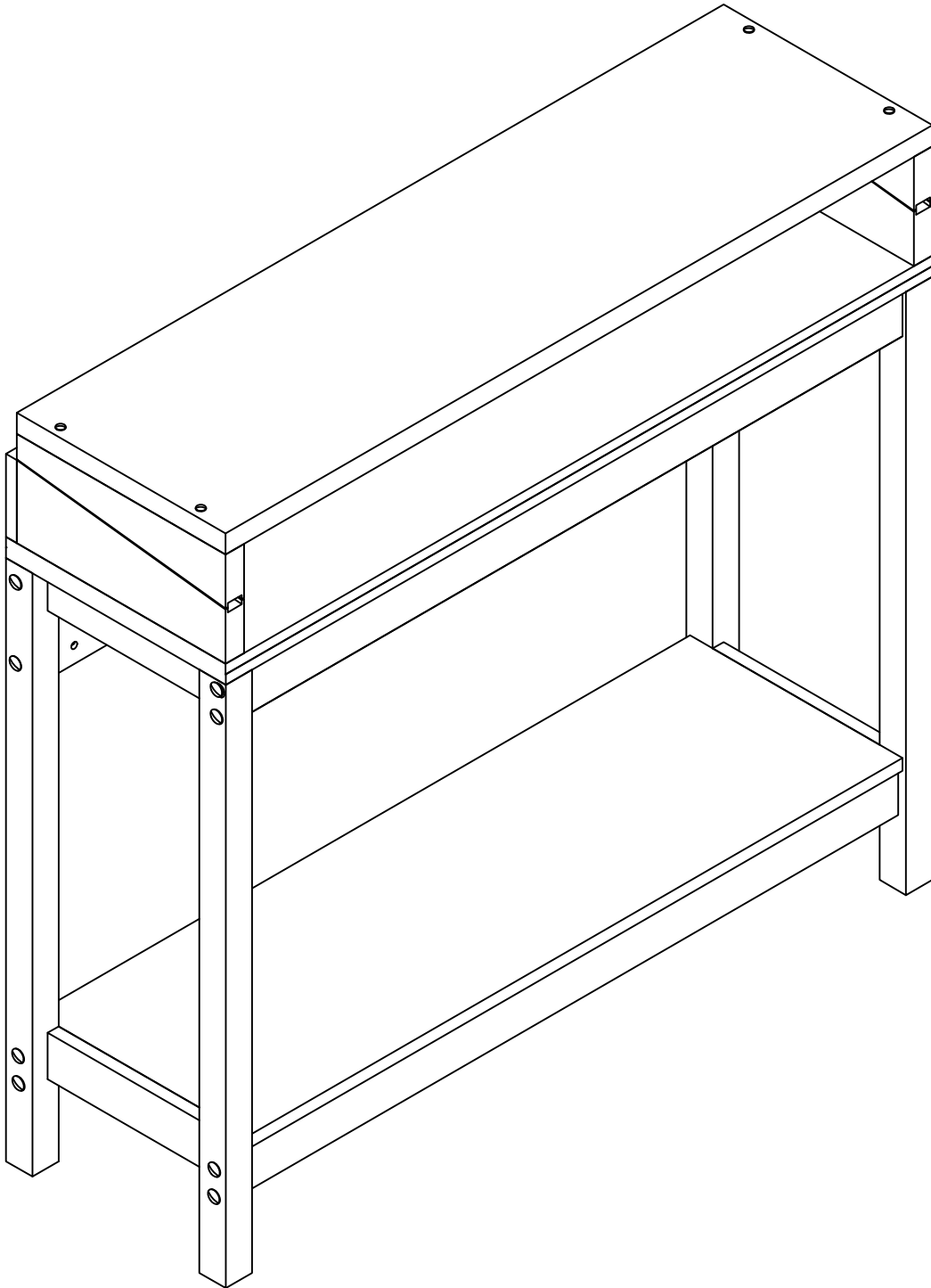


User Manual

Sofa Table

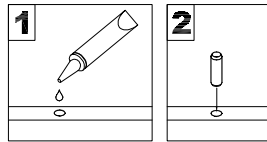


Warm Tips:

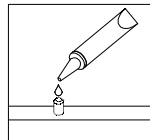
The assembly process is both challenging and fun. Please be patient and follow the instructions STEP BY STEP. You will feel exactly proud of yourself when you finish!

General Assembly Guidelines

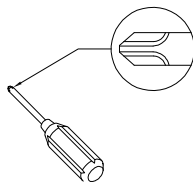
- I .Please ensure that all parts and hardware are available before assembly.
- II . Follow each step carefully to ensure the proper assembly of this product.
- III. For ease of assembly, two people are recommended to assemble this product.
- IV. The three main types of hardware are: wood dowels , screws and bolts.
- V . The glue is to secure wood dowels in place. When first inserting dowels, locate the appropriate hole for the dowel, and place a small amount of glue in the hole then insert the dowel. Please remember wipe away the excess glue immediately.



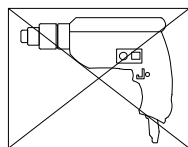
The dowels are necessary to attach assembly parts together in the following steps. Place a small amount of glue on the end of the dowel before attaching parts together. Please remember wipe away the excess glue immediately.



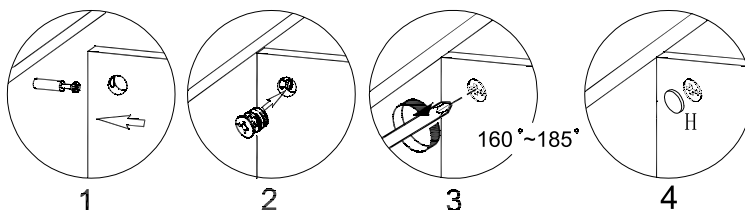
VI. A Phillips head screwdriver is required for the assembly of this product.



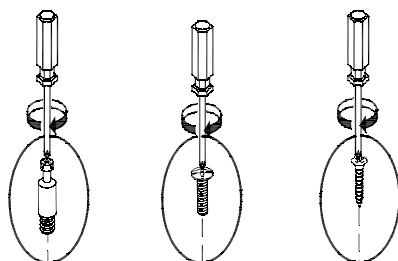
VII. Power tools should not be used when assemble this product.



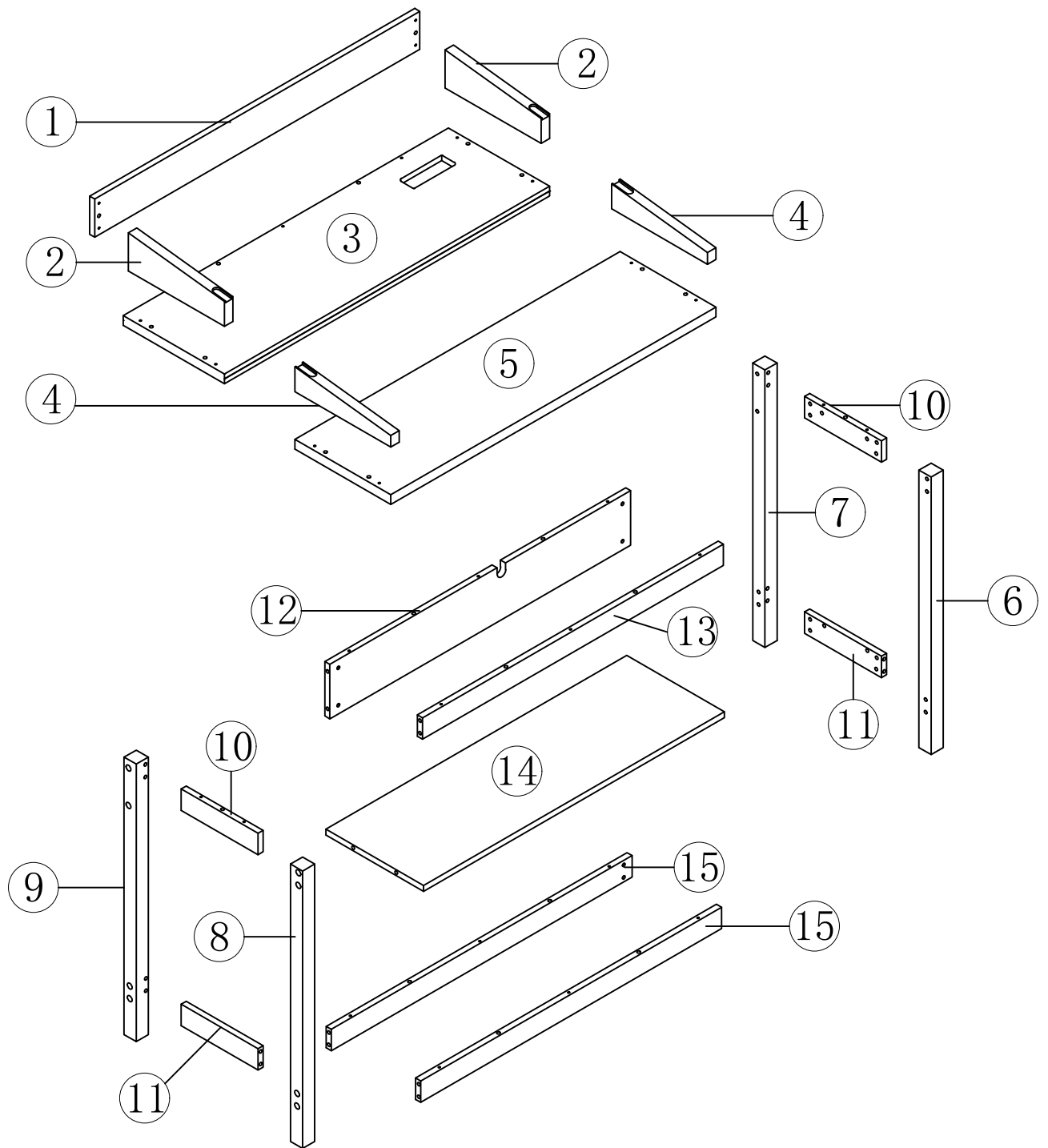
VIII. Steps for assembly of three-in-one screws.



IX. Screw fixation diagram for all fittings.



Parts List



① x1PC

② x2PCS

③ x1PC

④ x2PCS

⑤ x1PC

⑥ x1PC

⑦ x1PC

⑧ x1PC

⑨ x1PC

⑩ x2PCS

⑪ x2PCS

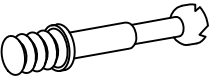


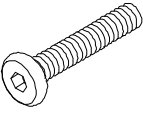

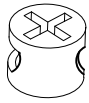
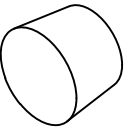
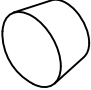
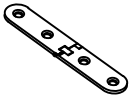
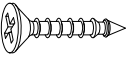
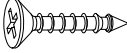
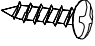
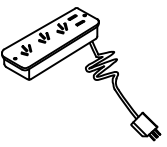
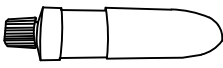
⑫ x1PC

⑬ x1PC

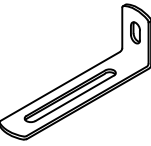
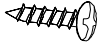

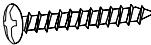
⑭ x1PC

⑮ x2PCS

Hardware List

<p>A</p>  <p>M6x35mm 32+2PCS</p>	<p>B</p>  <p>∅15 32+2PCS</p>	<p>C</p>  <p>∅8x30 26+2PCS</p>
<p>D</p>  <p>M6x58mm 16+1PC</p>	<p>E</p>  <p>4mmx57mm 1PC</p>	<p>F</p>  <p>1/4"x10mm 16+1PC</p>
<p>G</p>  <p>∅12x9mm 16x+1PC</p>	<p>H</p>  <p>∅9*5mm 4PCS</p>	<p>I</p>  <p>95x18*1.2mm 2PCS</p>
<p>J</p>  <p>3.9x38mm 15+1PC</p>	<p>K</p>  <p>3.9x25mm 8PCS</p>	<p>L</p>  <p>3x12mm 2PCS</p>
<p>M</p>  <p>1PC</p>	<p>O</p>  <p>1PC</p>	

Hardware List

<p>N</p>    

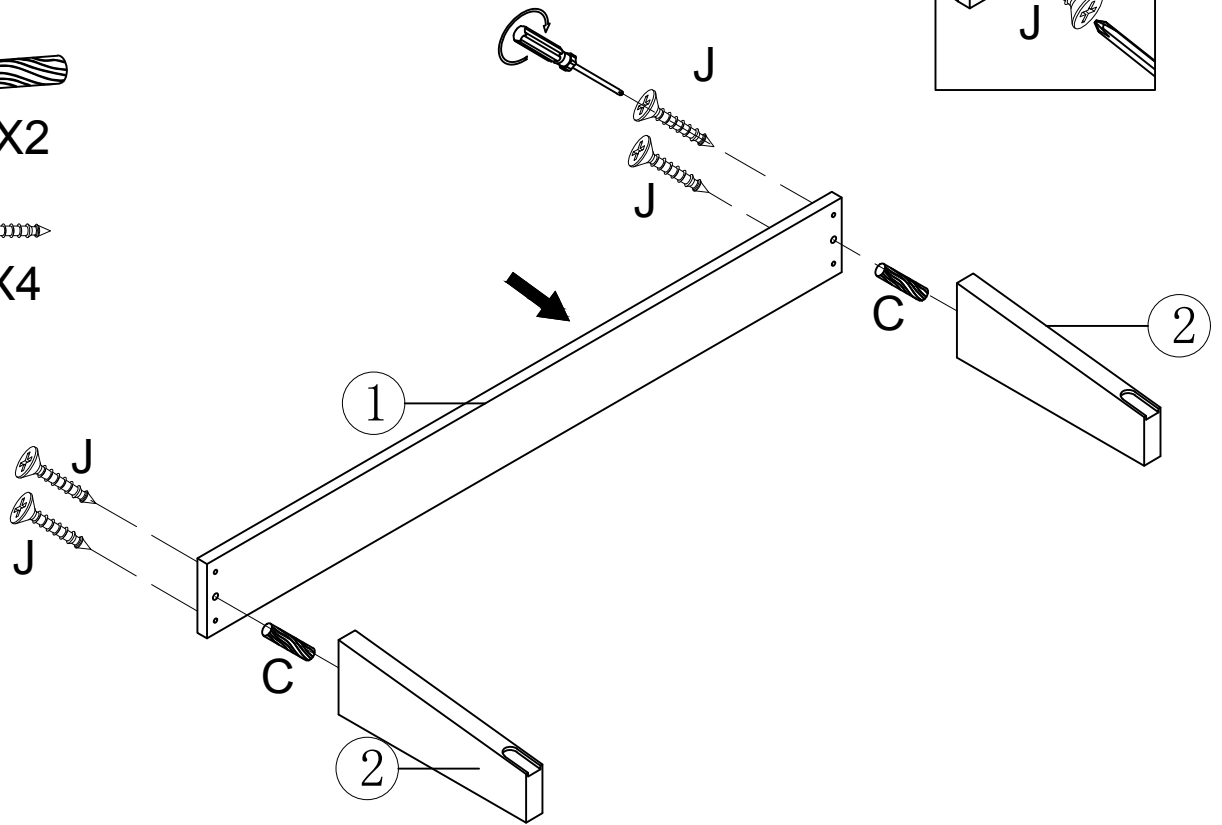
STEP#1



CX2



JX4



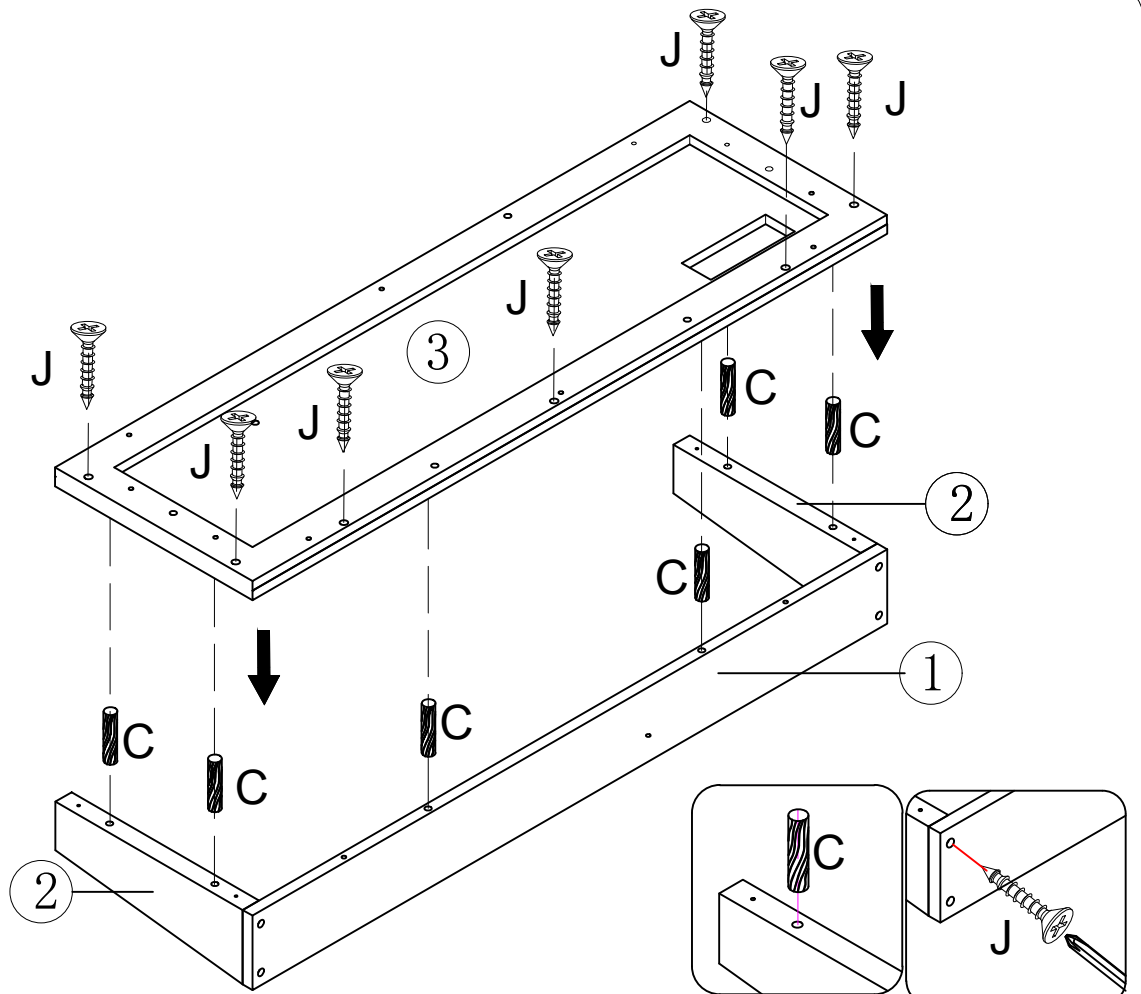
STEP#2



CX6



JX7



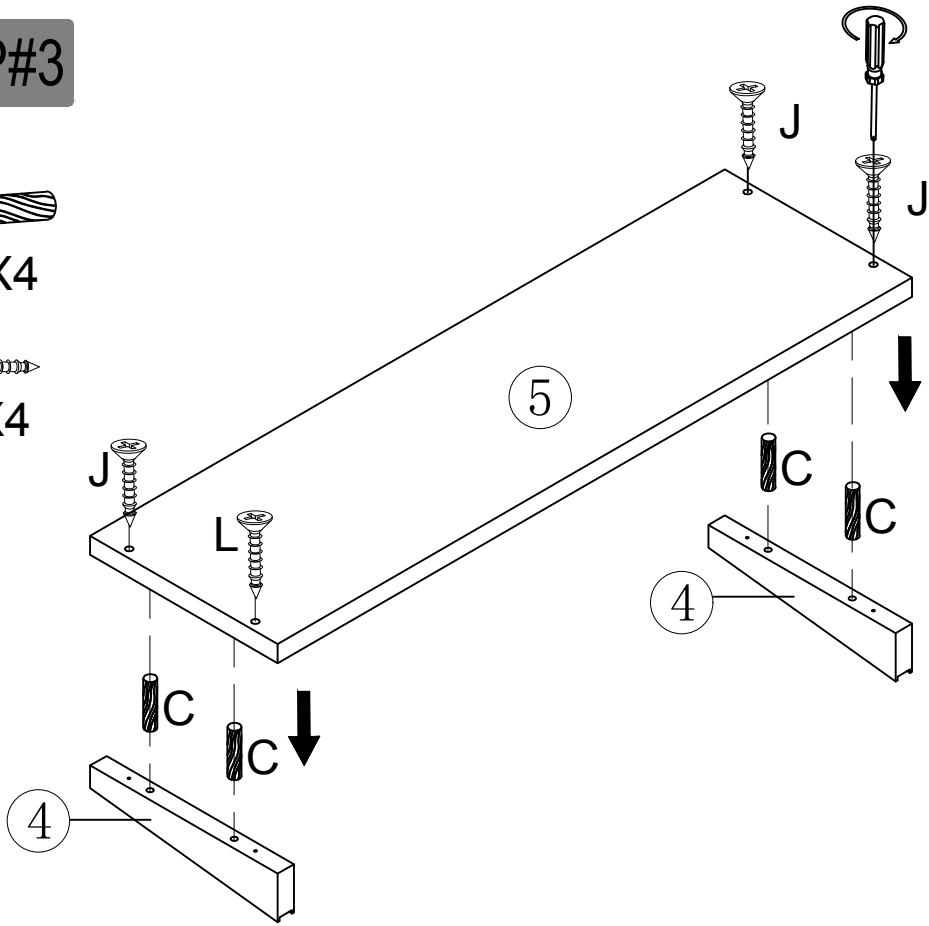
STEP#3



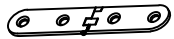
CX4



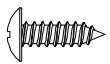
JX4



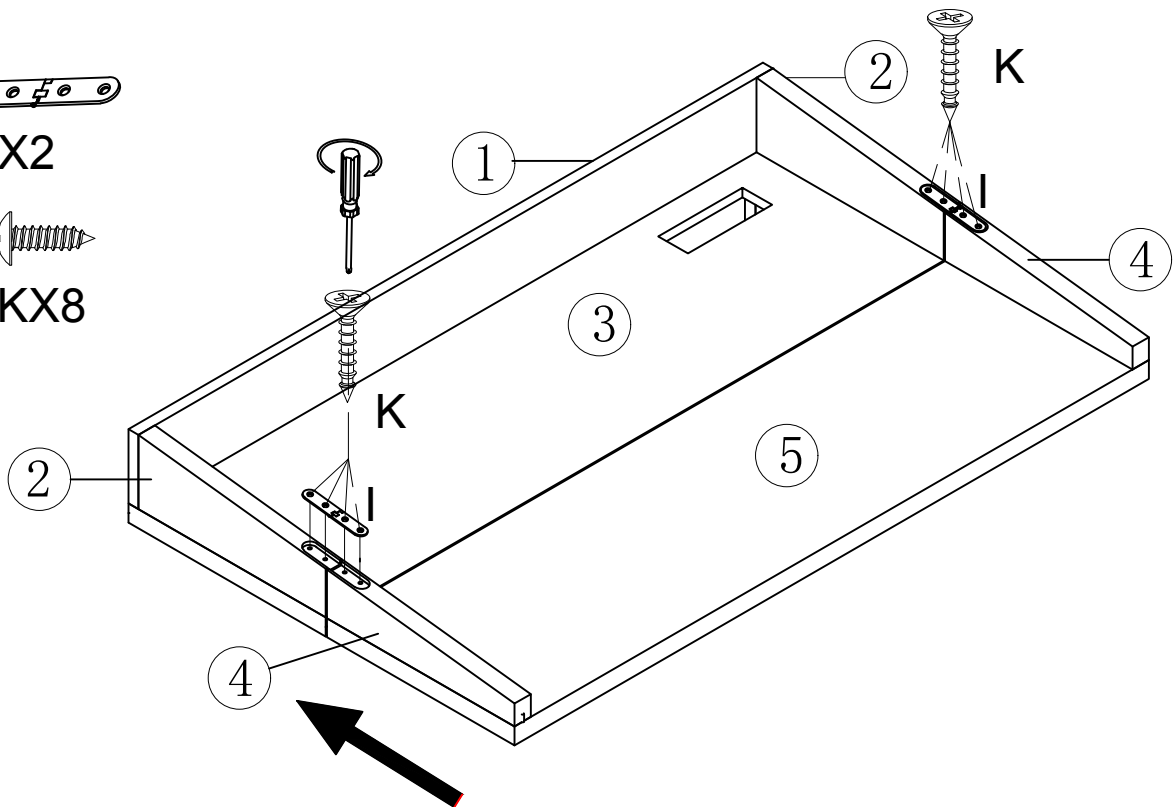
STEP#4



IX2

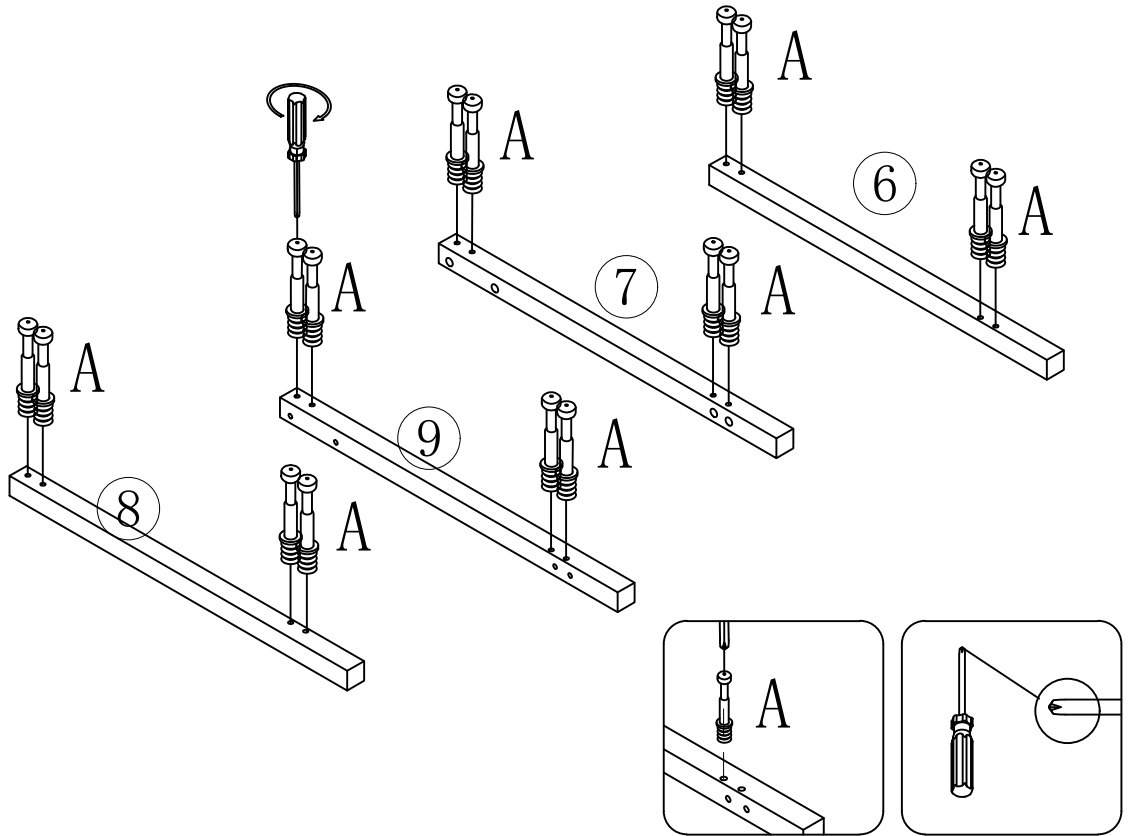


KX8



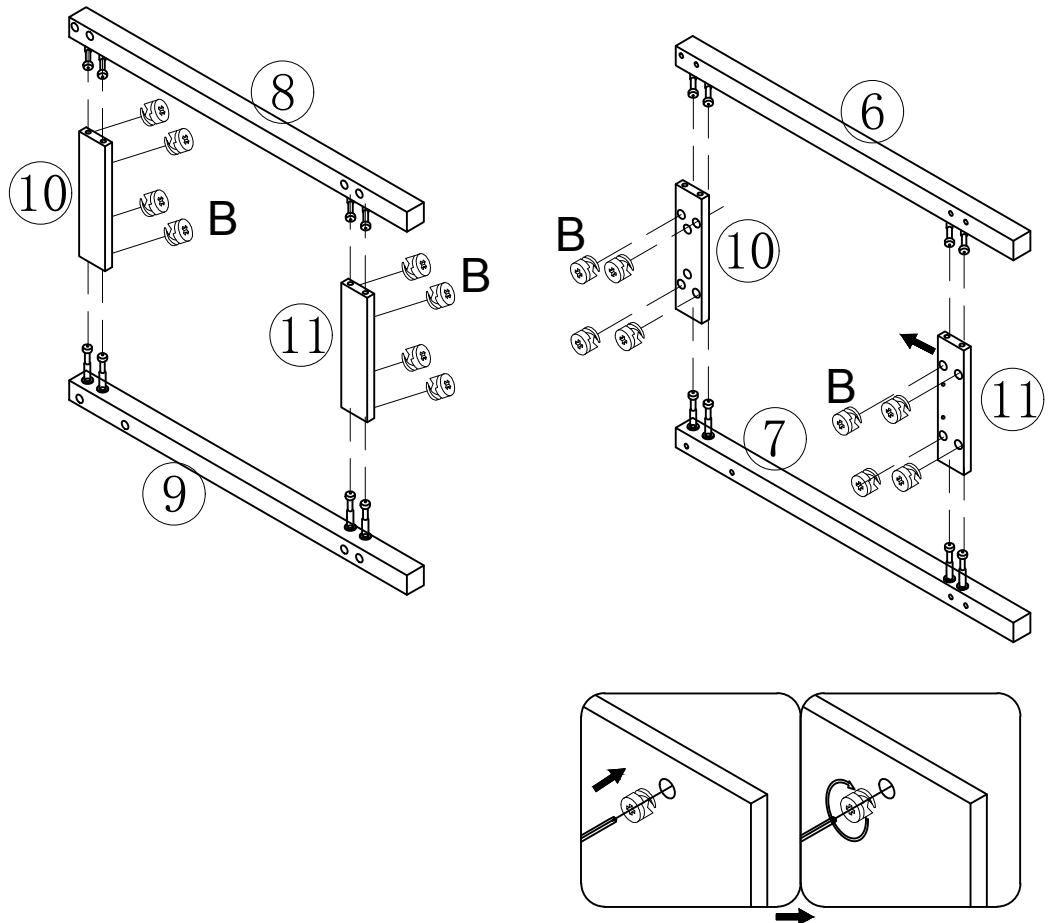
STEP#5

AX16

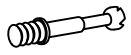


STEP#6

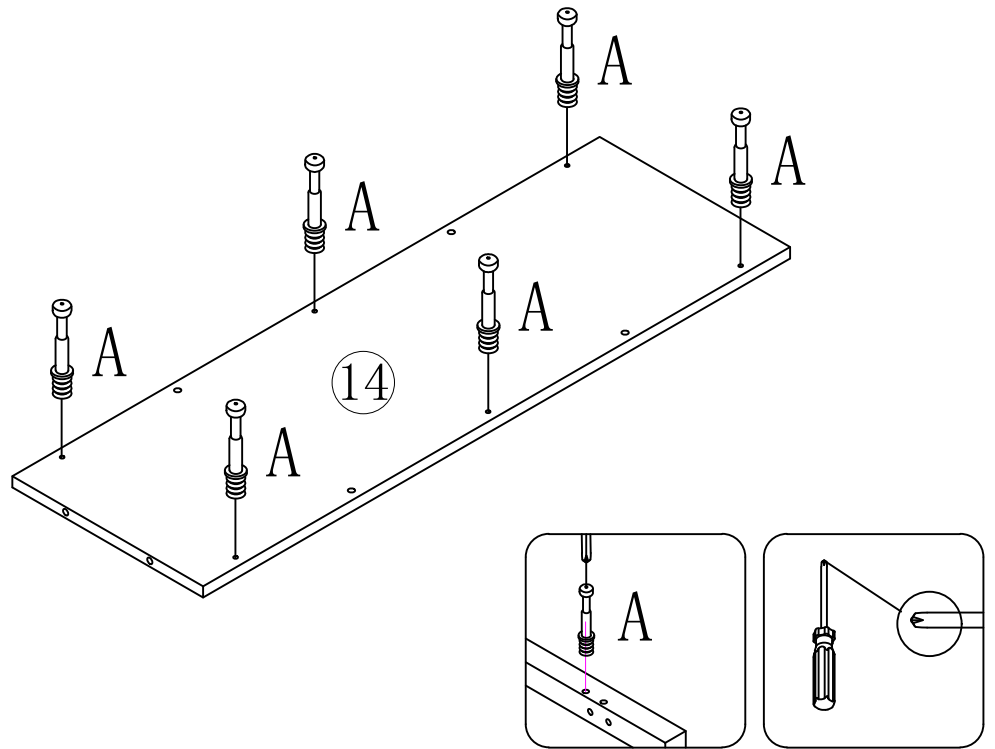
BX16



STEP#7



AX6



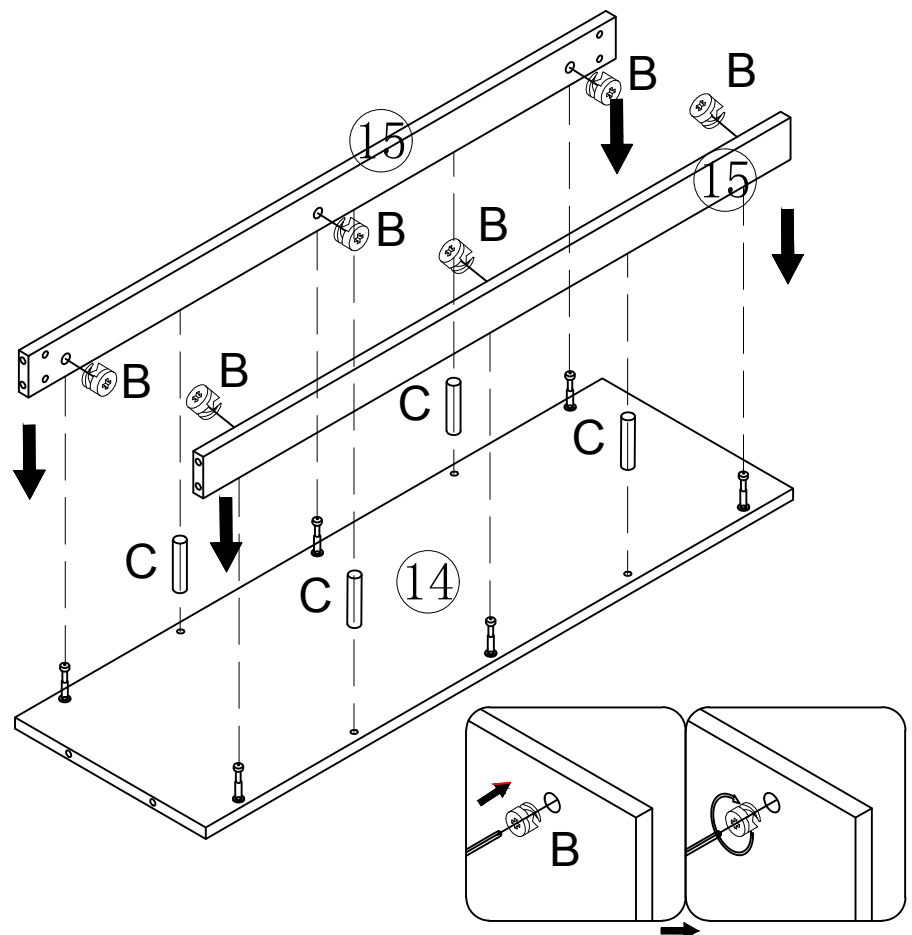
STEP#8



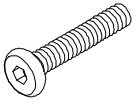
CX4



BX6



STEP#9



DX16



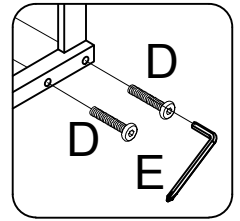
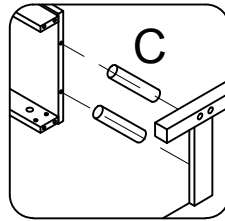
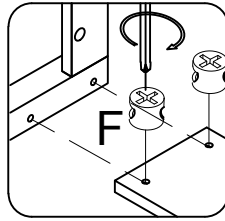
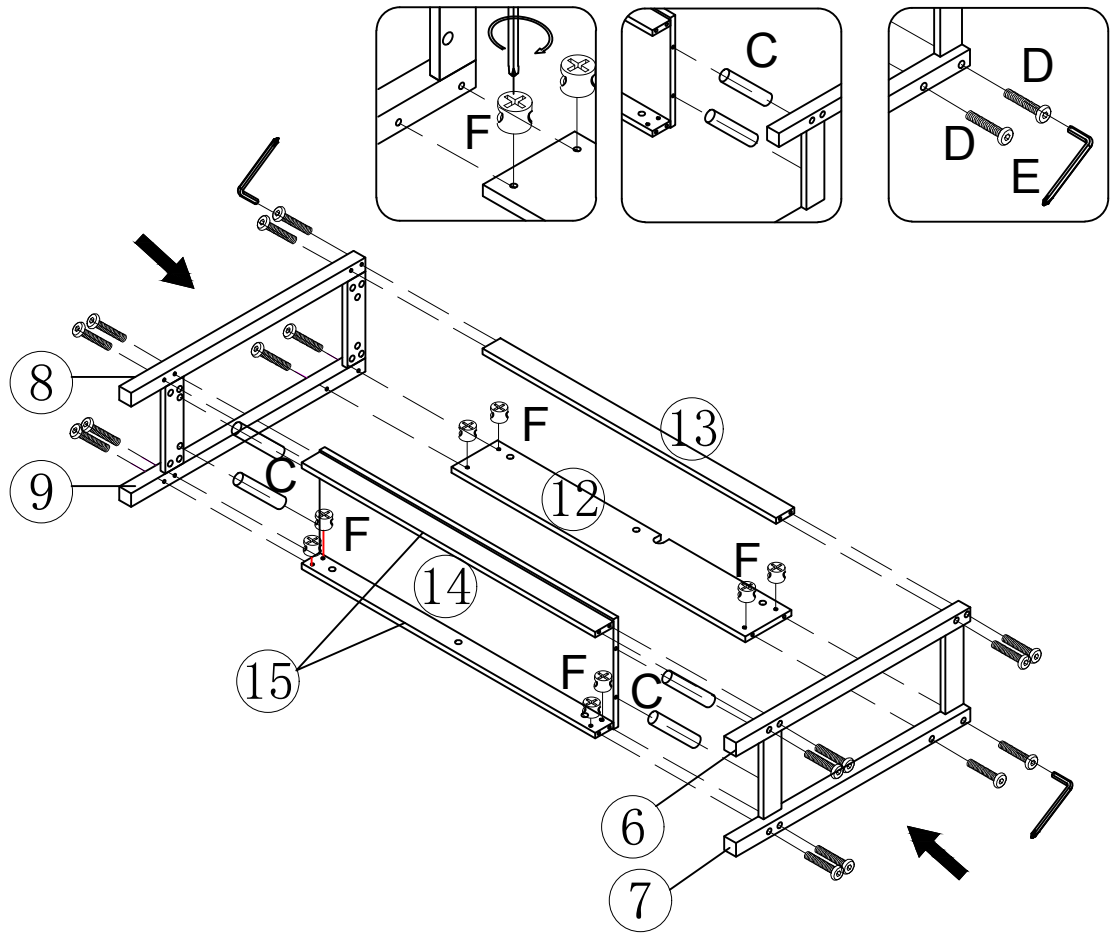
EX1



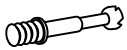
FX16



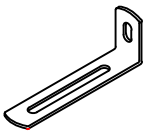
CX4



STEP#10



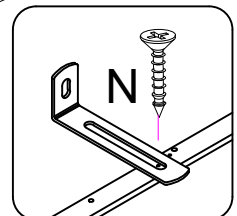
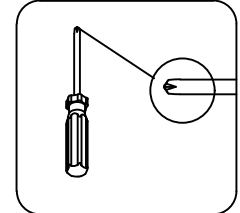
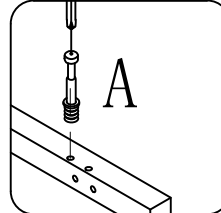
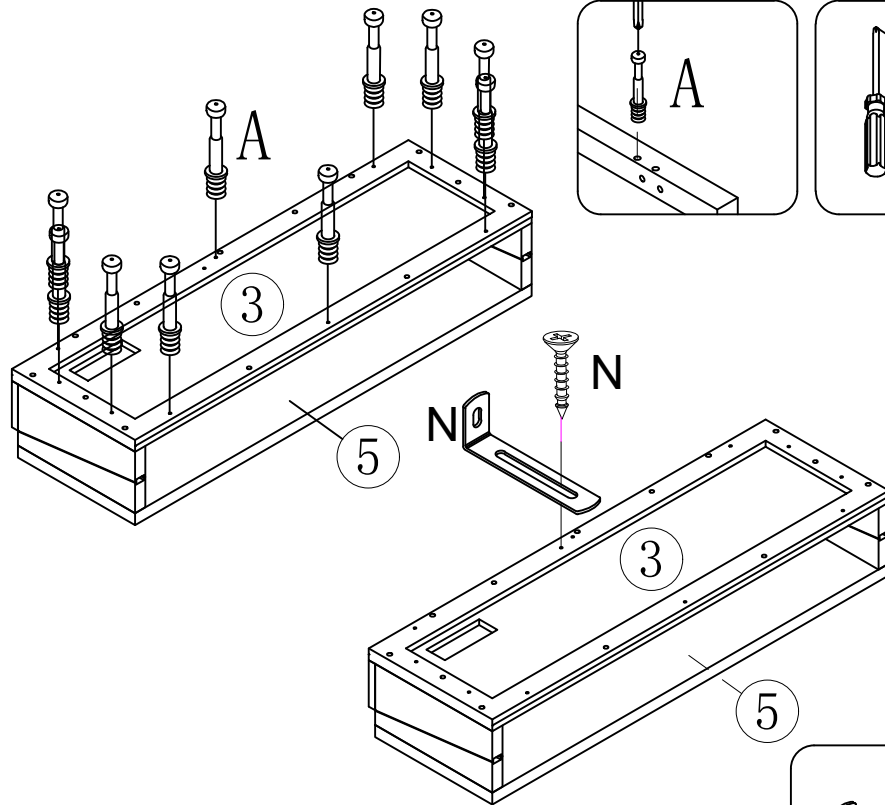
AX10



Nx1



Nx1



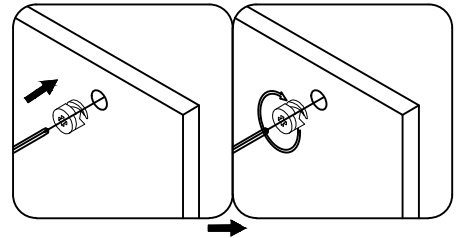
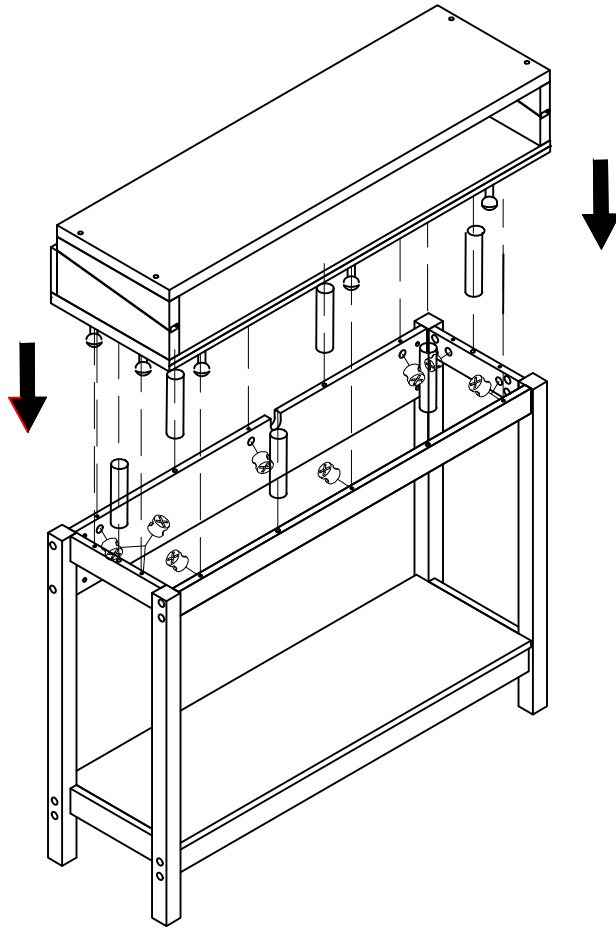
STEP#11



CX6



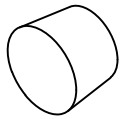
BX10



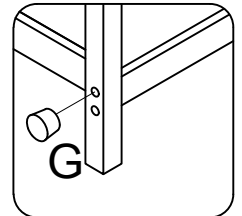
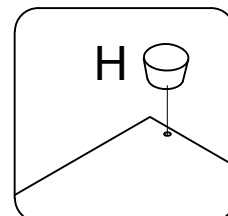
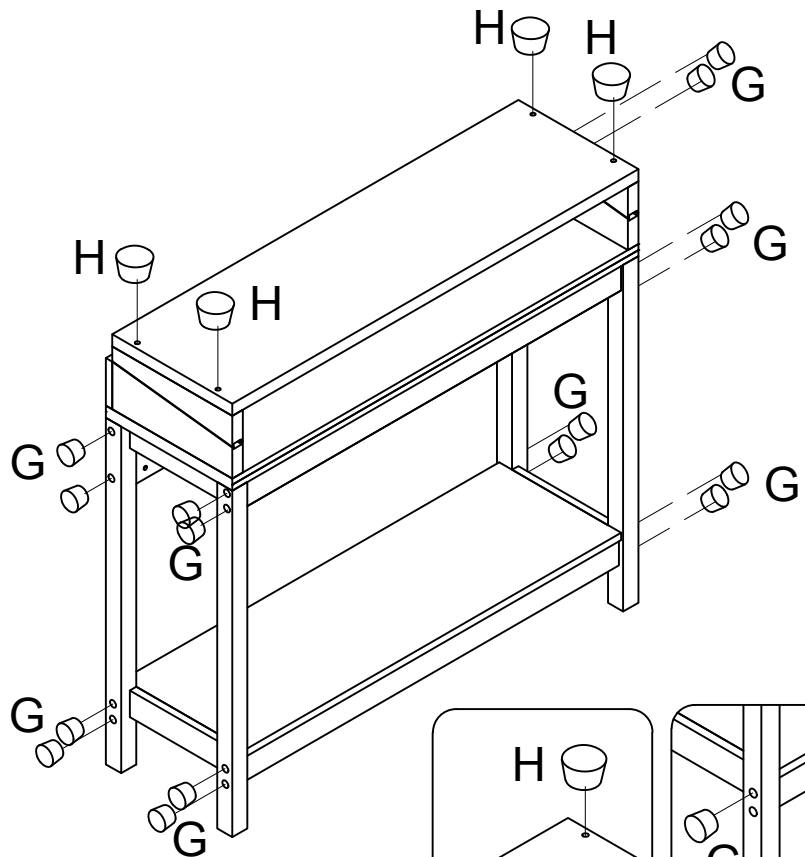
STEP#12



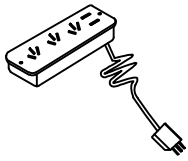
HX4



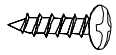
GX16



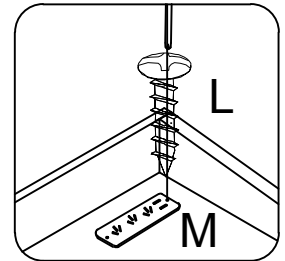
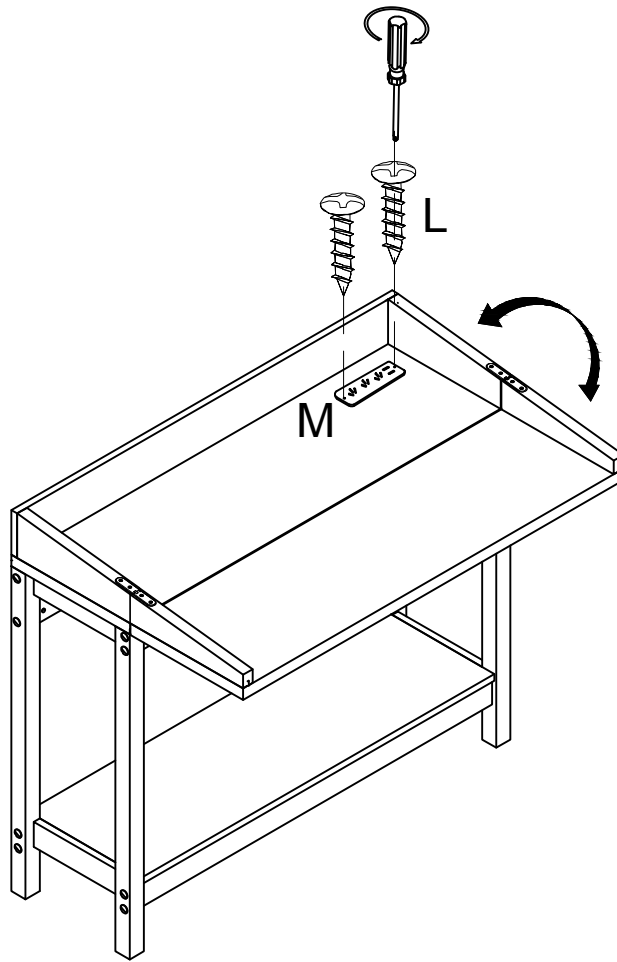
STEP#13



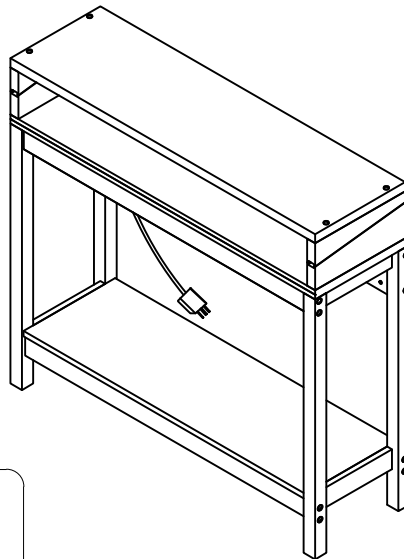
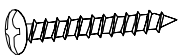
Mx1PC



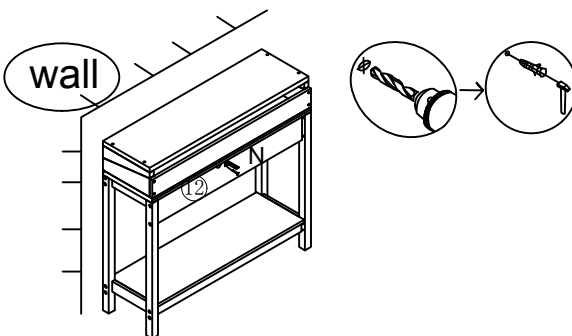
Lx2PCS



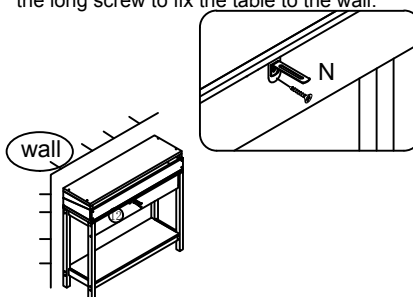
STEP#14



First painting positioning hole, then drill a hole on the wall at the required position for anti-falling device installation.



Move the table to the required position, use the long screw to fix the table to the wall.



WARRANTY CARD

Your warranty includes

- **30 Days Money Back Guaranty**

Within the first 30 days of your purchase, you are allowed to return your product for a full refund.

- **30 Days to 3 Months(6 Months)**

We will replace the defective unit due to manufacturer fault with a new one. (You will receive extra 3 Months warranty if you register on our website.)

- **3 Months to 24 Months**

Within 24 Months, we will provide timely and effective online after-sales service after your purchase.

How to return your Products

- Contact with your order number.
- We will issue you RMA # and return address for your return.
- Please fill out RMA info, tear off this page and leave it inside your return package.
- We will issue replace / return after receiving your return.

Return product details

To get your returns processed as quickly as possible, please fill this form and include it in your return package.

Purchase Name	
Order Number	
Date of Purchase	
Your Email Address	
Where did you buy it	