

Trouble shooting:

missing / Wrong / Broken parts and installation issues



Send email with your question, pic and order NO. to support@idealhouse.vip



Respond within 24 hours

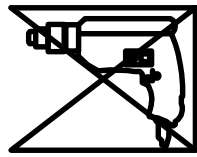
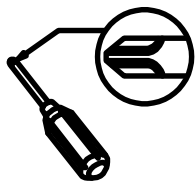


Issue resolved

YOU NEED

1. Tools required

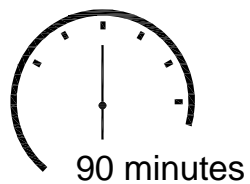
A Phillips head screw driver is required for the assembly of this product. (not included)
Electric tool should not be used to assemble this product.



2. Two people are needed



3. Installation takes 60 minutes



Tips!



1. Check all the components & screws are intact before assembling .
 2. If you notice any pieces are missing or damaged please do not assemble and contact us immediately .
 3. **Please send an email with you order number and issues, we will respond within 24 hours.**
- Customer Service Team: support@idealhouse.vip**

IMPORTANT SAFETY INFORMATION

- Please carefully read the following instructions and caution warnings before assembling the product.
- Following this guide will ensure that you install, use and maintain the product properly.
- Please keep this installation and user manual/instructions for future reference in case you need to disassemble the product.
- Never allow children to climb onto the product. Ensure that you have special safety measures when children are around on their own.
- Be sure to check that all parts of the product are intact after you open the package.
- Do not assemble if you notice serious damage such as cracks or bends.
- During installation, please use work gloves for hand safety.
- Please assemble the unit on carpeted floor or the flat cardboard box to avoid scratching the surface or your floor while assembling on the floor.
- To assemble, please use the complimentary installation tools (Phillips screwdriver). Pay more attention to the direction of components at each steps.
- It is recommended that two people work together to assemble the product.

RETURN POLICY

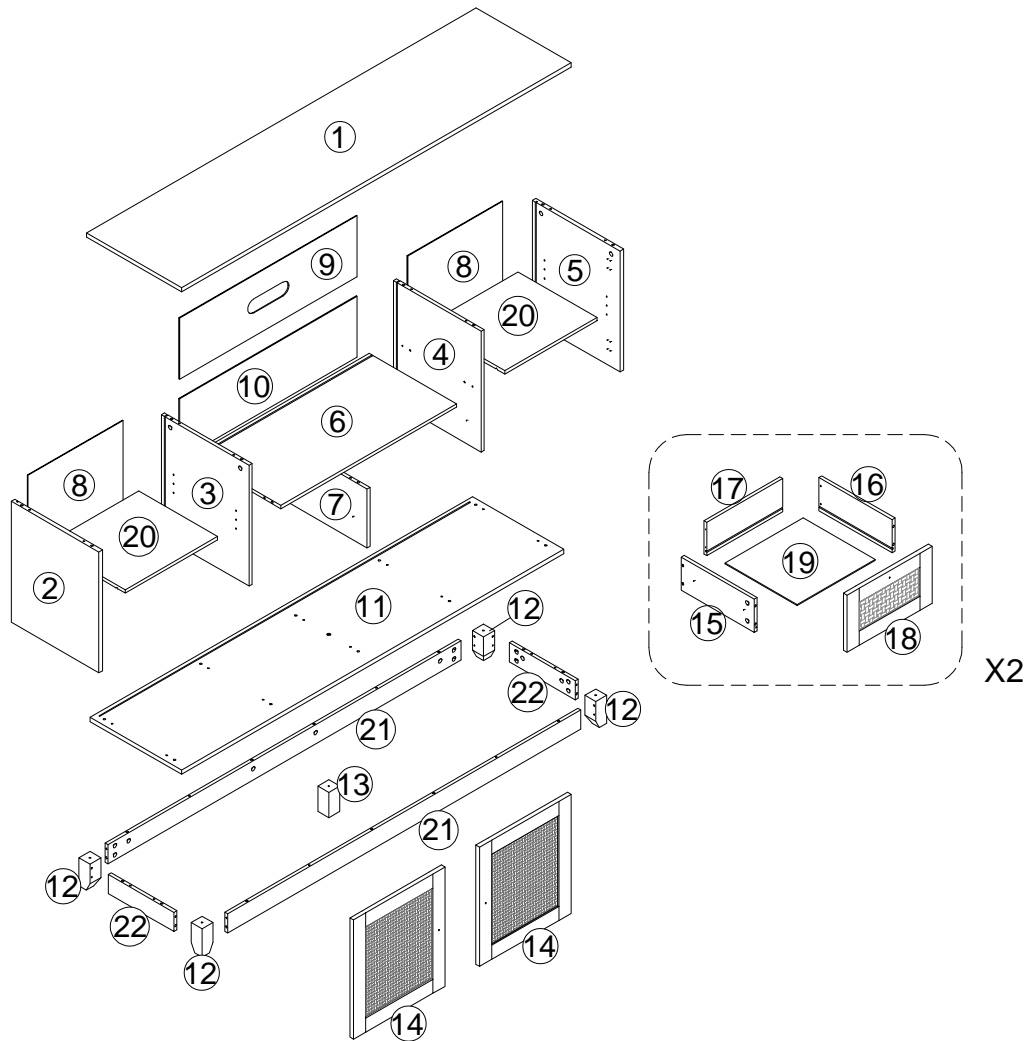
- Please contact us directly within 30 days after receiving.
- Ensure the product is in a good condition with the original box and all original certificates of purchase, manuals, and accessories attached.

HOW TO MAINTAIN YOUR PRODUCT

- Check the screws of the product are not loose from regular use.
- Do not use sharp instruments, rubbing alcohol, corrosive chemicals, or abrasive cleaners to clean the item.



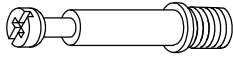
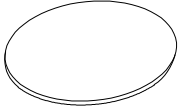

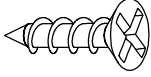
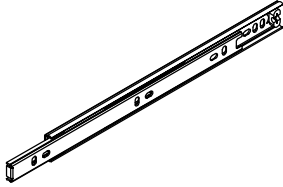
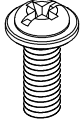
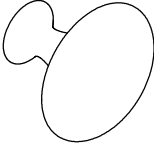
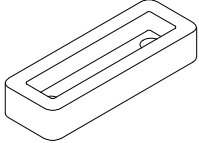
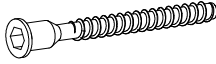
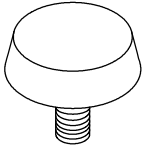
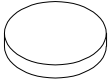
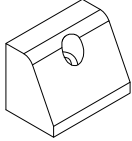
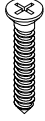
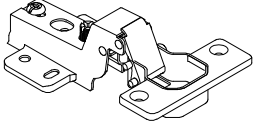


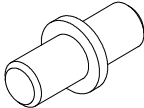

COMPONENT PARTS

Please check that you have all the parts listed below



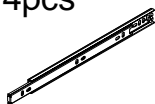
1	Top panel	X1	12	Leg	X4
2	Left outer wall	X1	13	Center leg	X1
3	Left middle wall	X1	14	Door panel	X2
4	Right middle wall	X1	15	Drawer left panel	X2
5	Right outer wall	X1	16	Drawer right panel	X2
6	Center shelf	X1	17	Drawer back plate	X2
7	Middle wall	X1	18	Drawer front panel	X2
8	Back panel	X2	19	Drawer bottom plate	X2
9	Center back panel	X1	20	Shelf panel	X2
10	Center back panel	X1	21	Bottom frame front/back rail	X2
11	Bottom panel	X1	22	Bottom frame side rail	X2

Please check that you have all the parts listed below

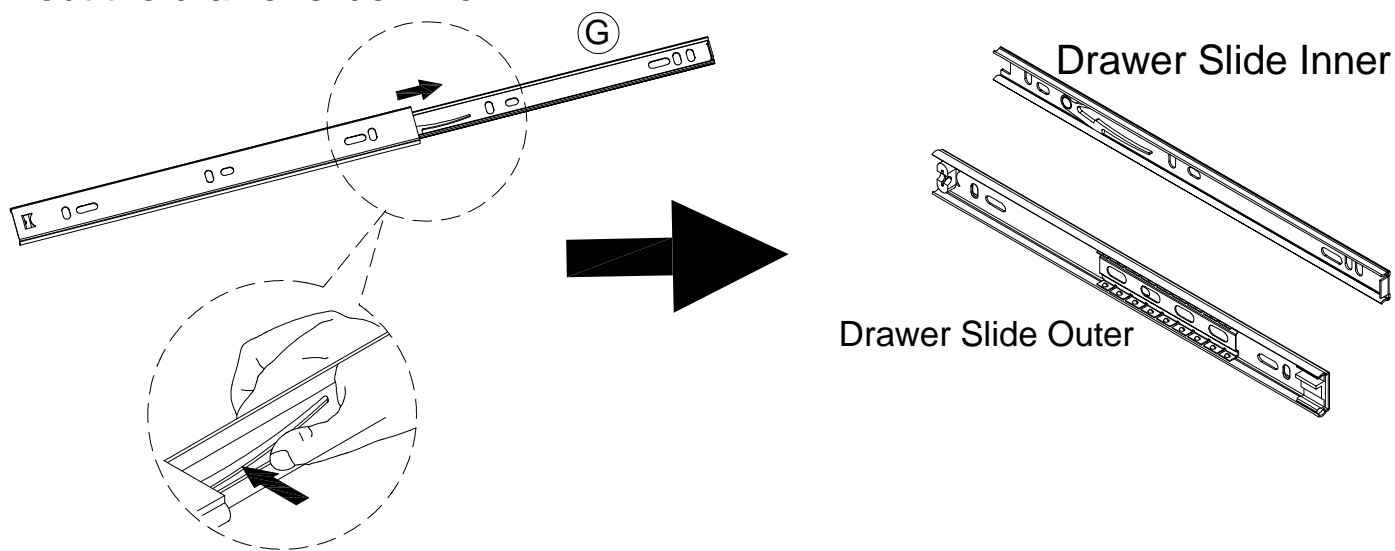
<p>Ⓐ x 36+2pcs</p> 	<p>Ⓑ x 50+2pcs</p> 	<p>Ⓒ x 50+2pcs</p> 	<p>Ⓓ x 16+2pcs</p> 
<p>Ⓔ x 8+1pc</p> 	<p>Ⓕ x 24+2pcs</p>  <p>Ø7*Ø3.5*12mm</p>	<p>Ⓖ x 4pcs</p> 	<p>Ⓗ x 4pcs</p>  <p>20mm</p>
<p>Ⓙ x 4pcs</p> 	<p>Ⓚ x 4pcs</p> 	<p>Ⓛ x 11+1pc</p>  <p>Ø7*38mm</p>	<p>Ⓜ x 1pc</p> 
<p>Ⓝ x 4pcs</p> 	<p>Ⓞ x 20+2pcs</p> 	<p>Ⓟ x 20+2pcs</p>  <p>Ø6*Ø3*14mm</p>	<p>Ⓠ x 4pcs</p> 
<p>Ⓡ x 24+2pcs</p>  <p>Ø8*Ø4*14mm</p>	<p>Ⓢ x 1pc</p> 	<p>Ⓣ x 8+1pc</p> 	<p>Ⓤ x 1pc</p> 

1

Ⓒ x 4pcs



Push the plastic film up, then pull out the drawer slide inner

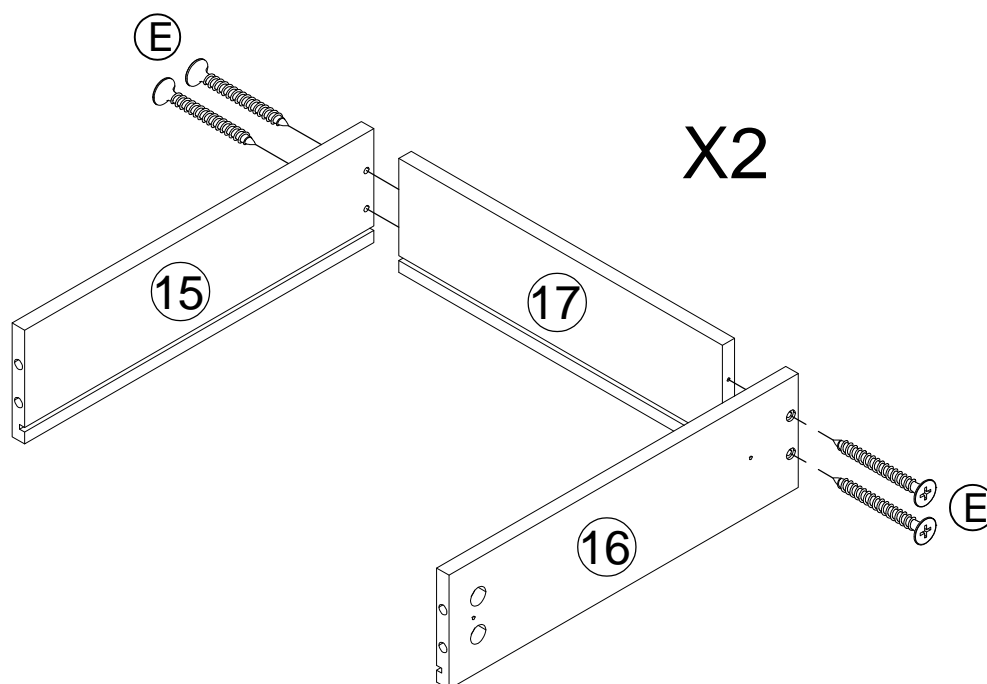


2

Ⓔ x 8pcs

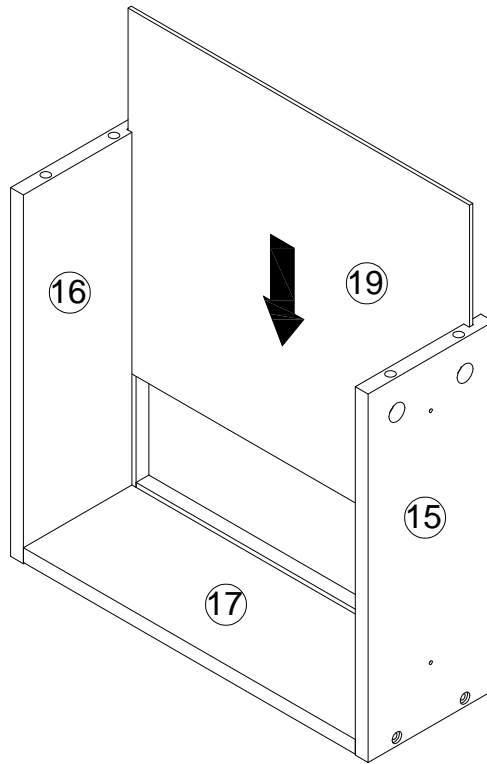


Ø8*Ø4*40mm



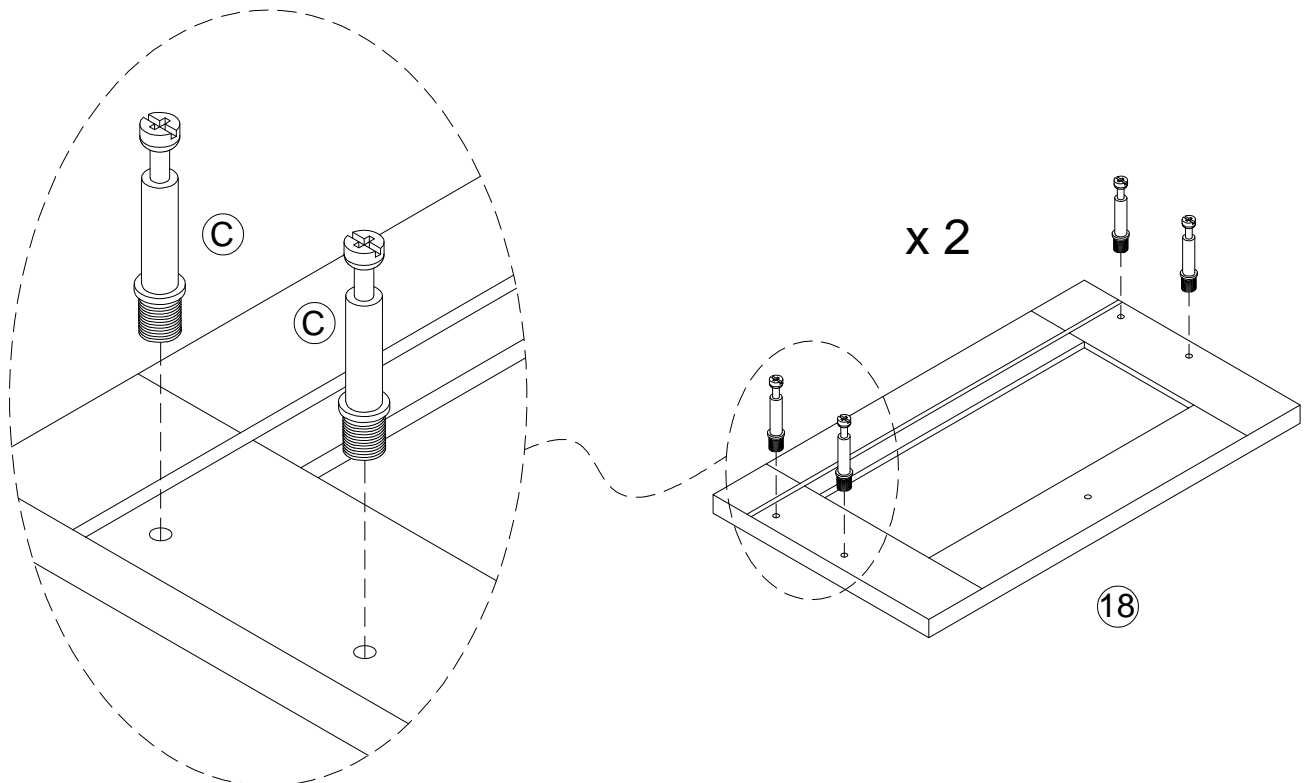
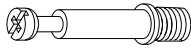
3

x 2



4

ⓐ x 8pcs



5

(B) x 8pcs



(J) x 2pcs

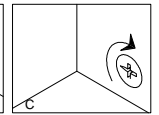
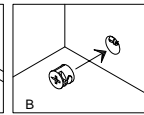
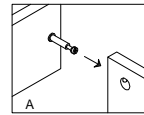


(H) x 2pcs

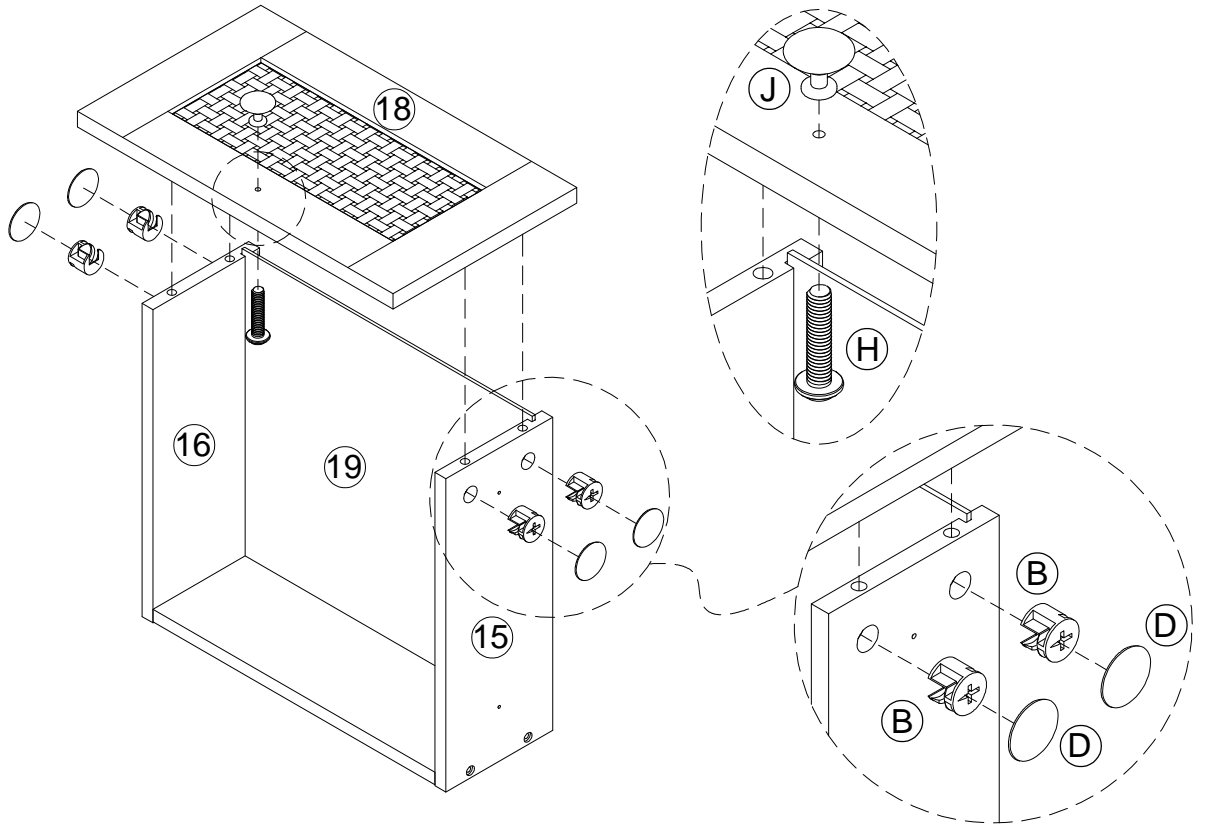


20mm

(D) x 8pcs



x 2



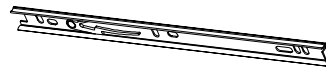
6

(F) x 8pcs

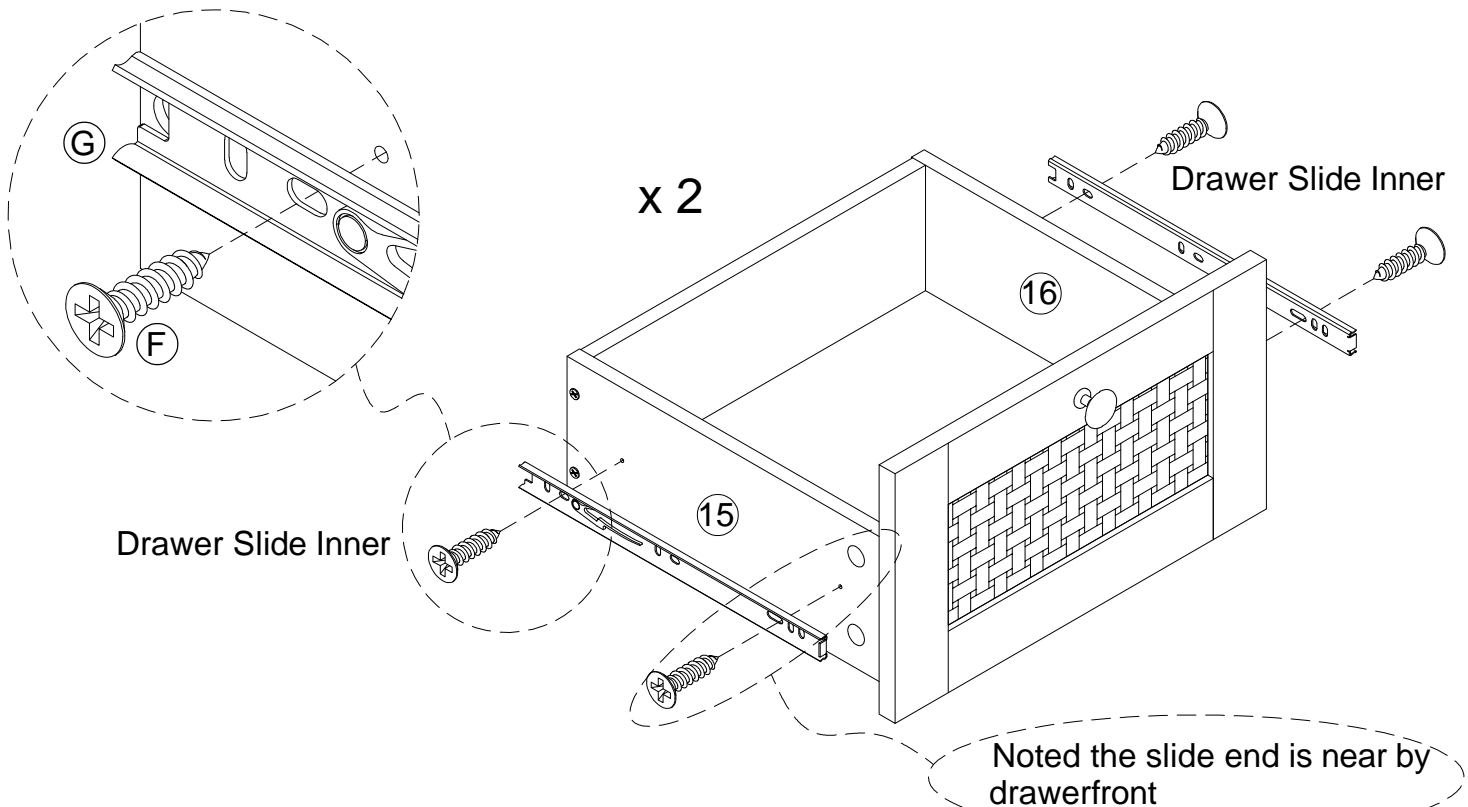


Ø7*Ø3.5*12mm

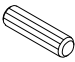
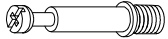


(G) Drawer Slide Inner x 4pcs

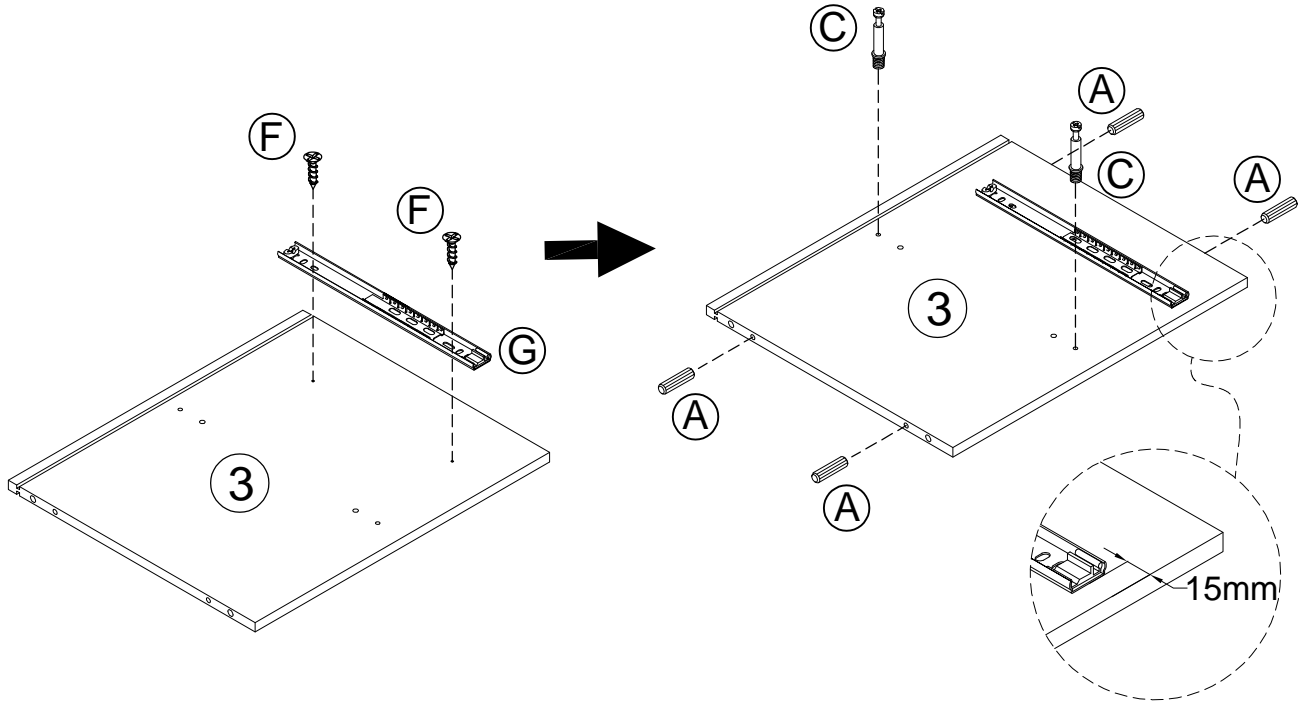


x 2



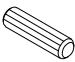
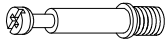


7

- (A) x 4pcs

- (C) x 2pcs

- (F) x 2pcs

Ø7*Ø3.5*12mm
- (G) Drawer Slide Outer x 1pc


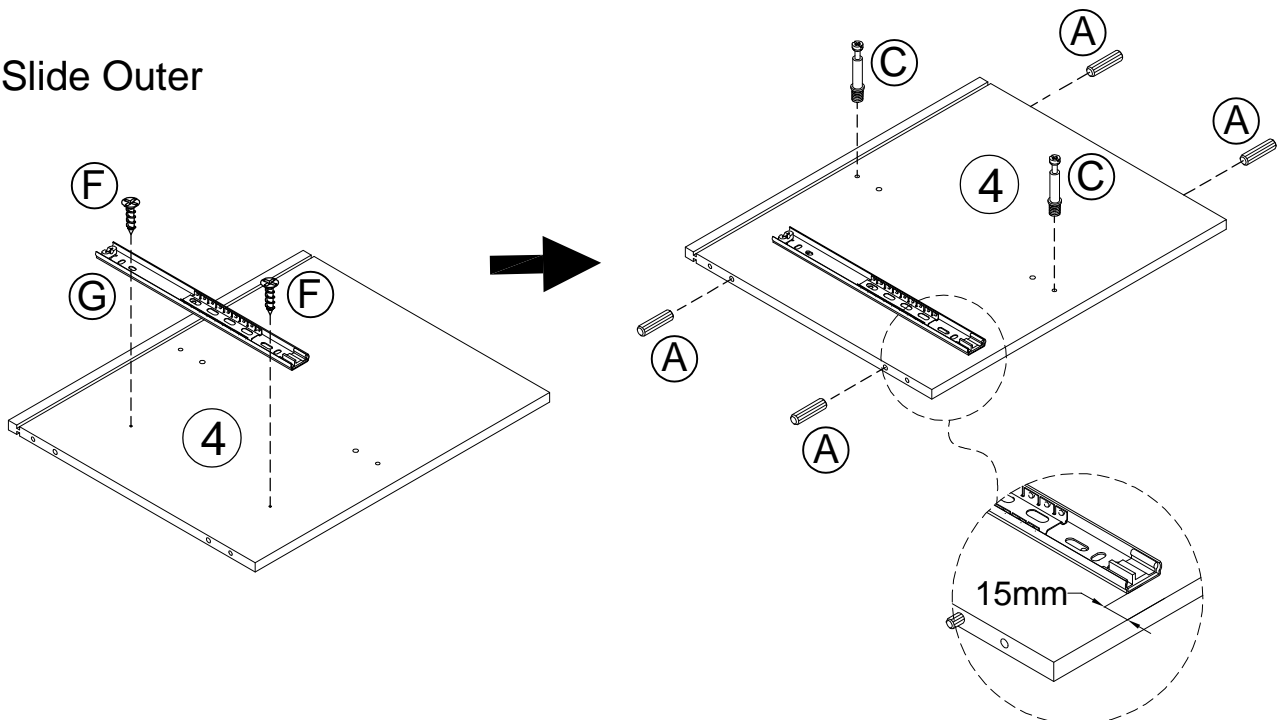


Noted the direction of slide

8

- (A) x 4pcs

- (C) x 2pcs

- (F) x 2pcs

Ø7*Ø3.5*12mm
- (G) Drawer Slide Outer x 1pc


Drawer Slide Outer



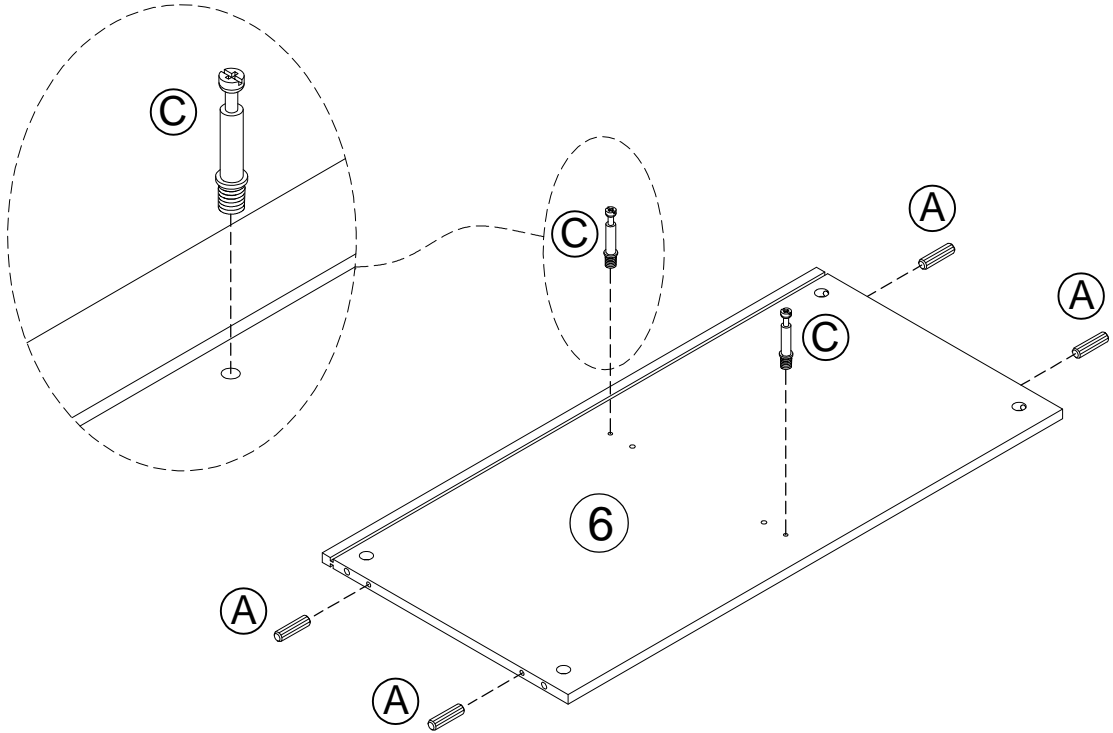
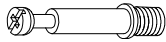
Noted the direction of slide

9

(A) x 4pcs

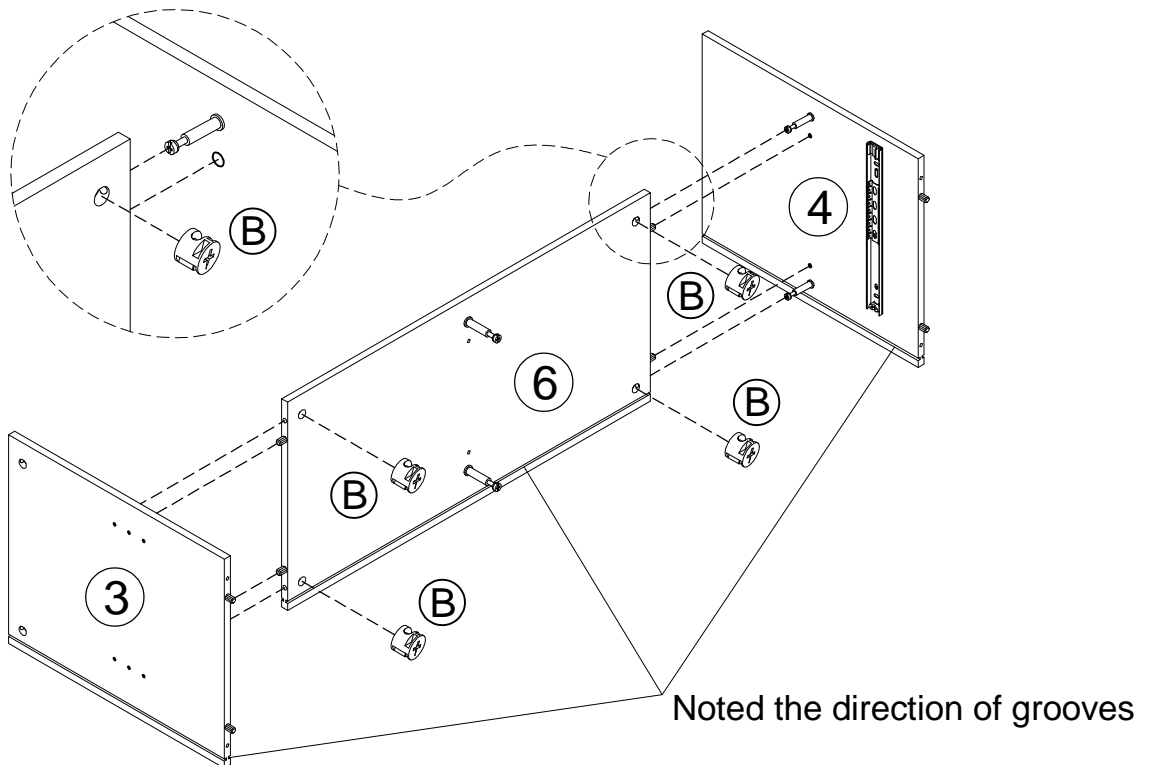
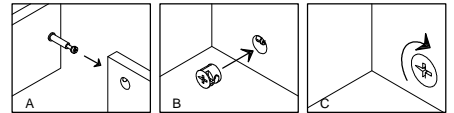


(C) x 2pcs



10

(B) x 4pcs

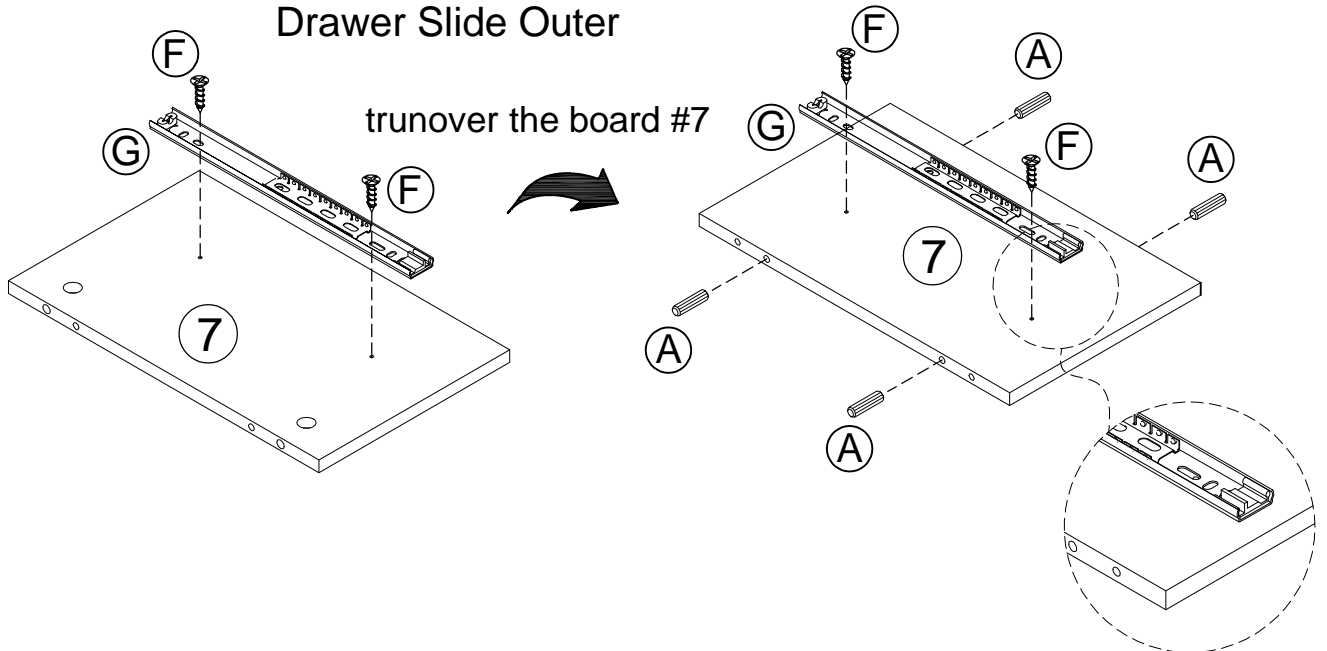
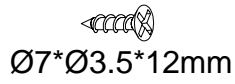


11

(A) x 4pcs

(F) x 4pcs

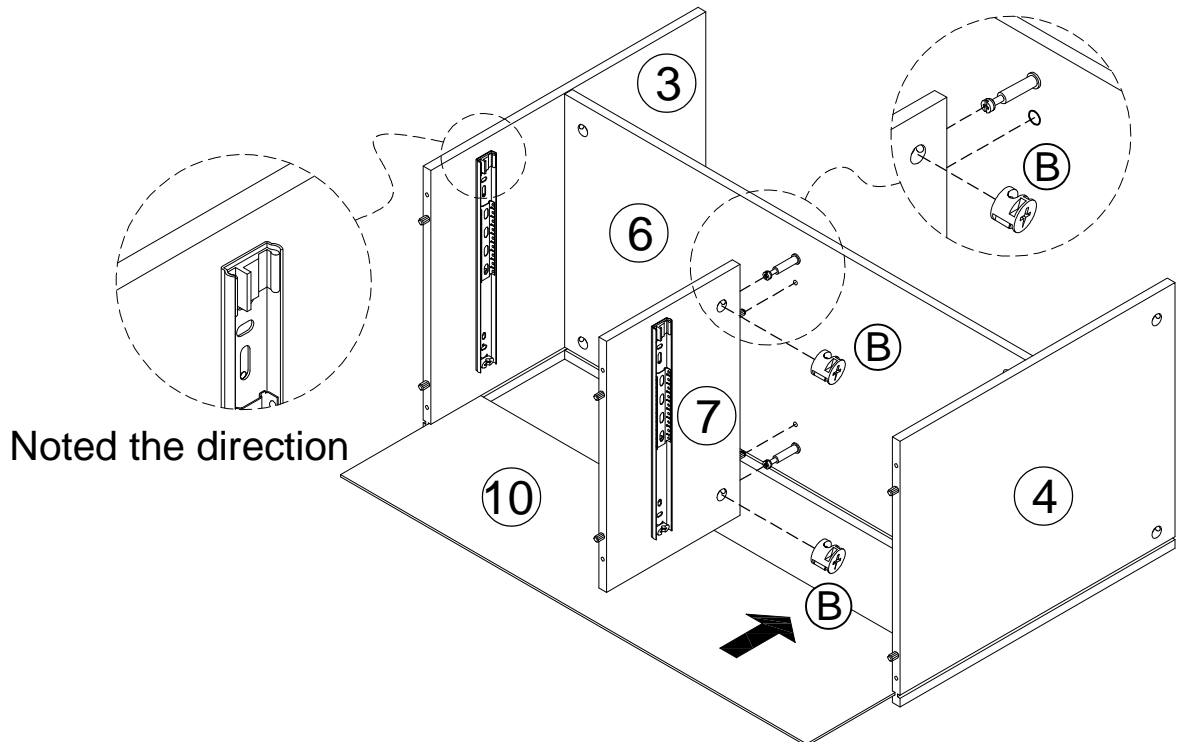
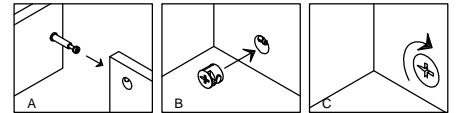
(G) Drawer Slide Outer x 2pcs



Noted the direction of slide

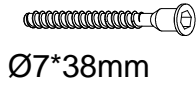
12

(B) x 2pcs



13

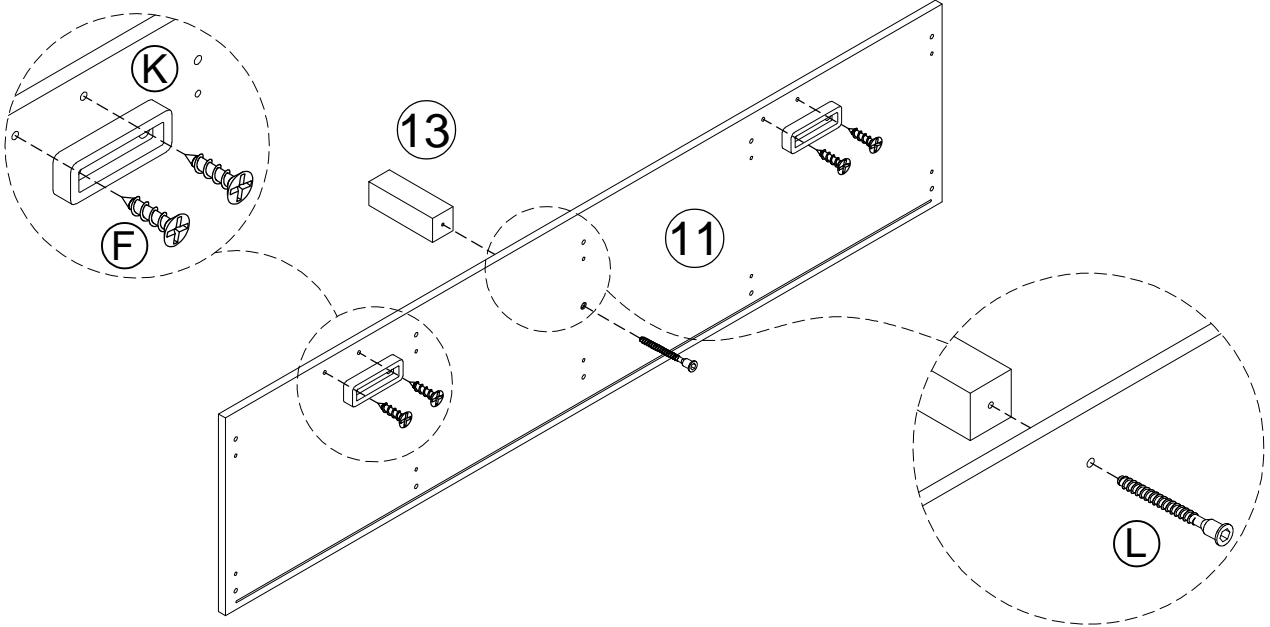
L x 1pc



F x 4pcs

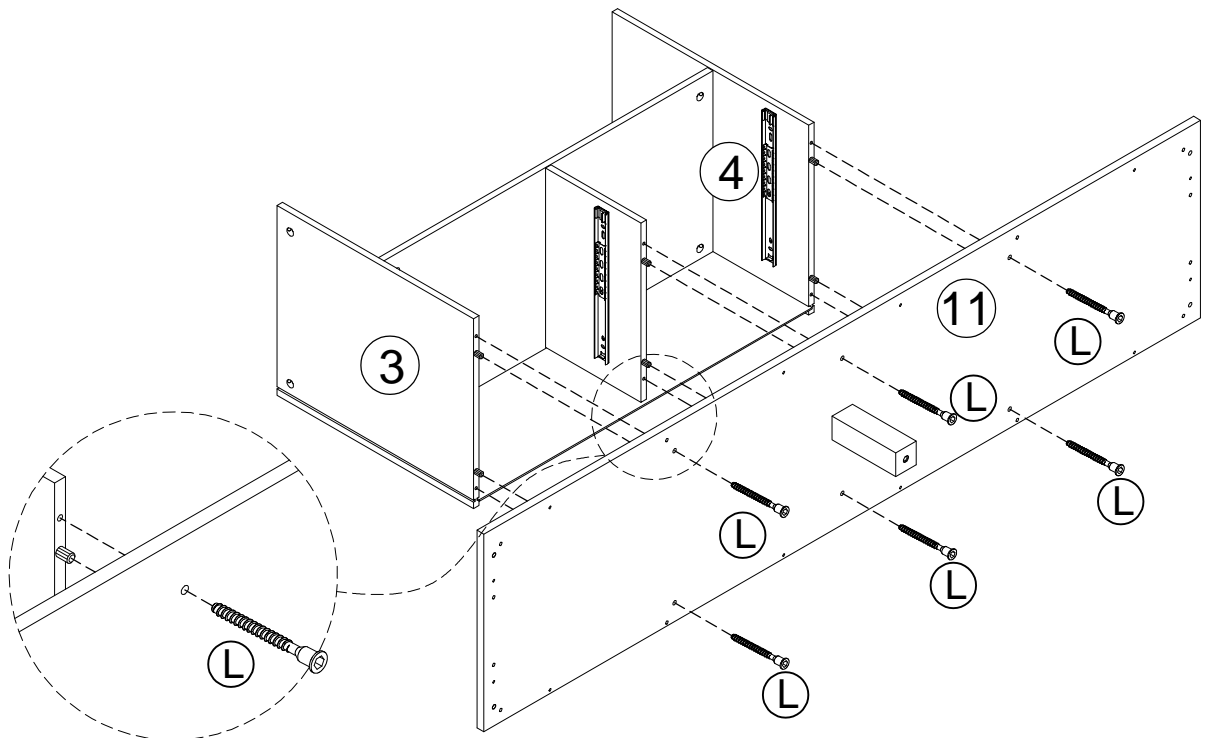
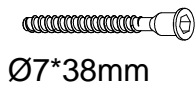


K x 2pcs



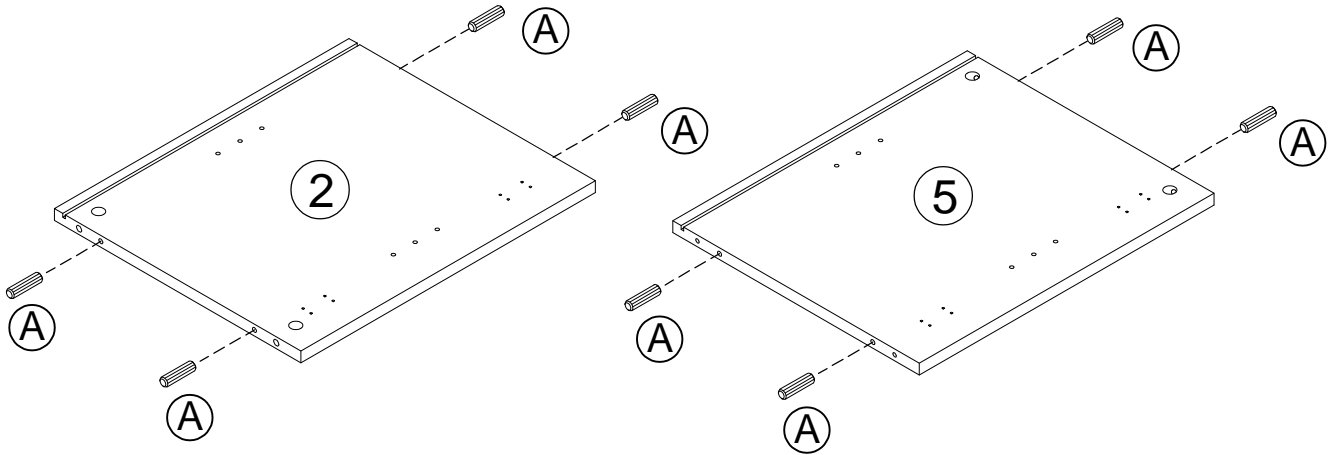
14

L x 6pcs



15

(A) x 8pcs



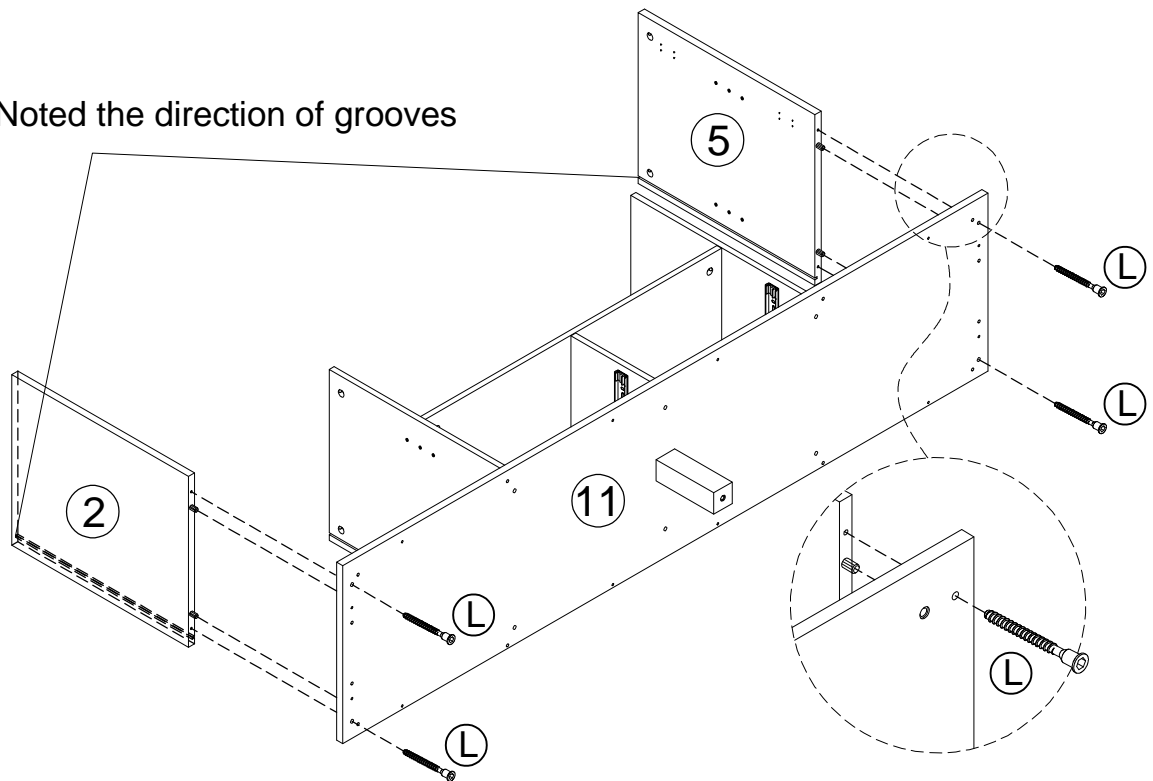
16

(L) x 4pcs



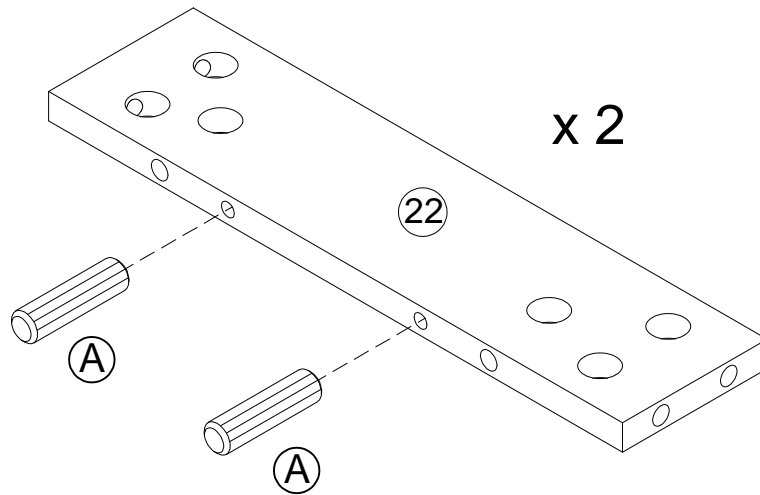
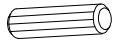
Ø7*38mm

Noted the direction of grooves



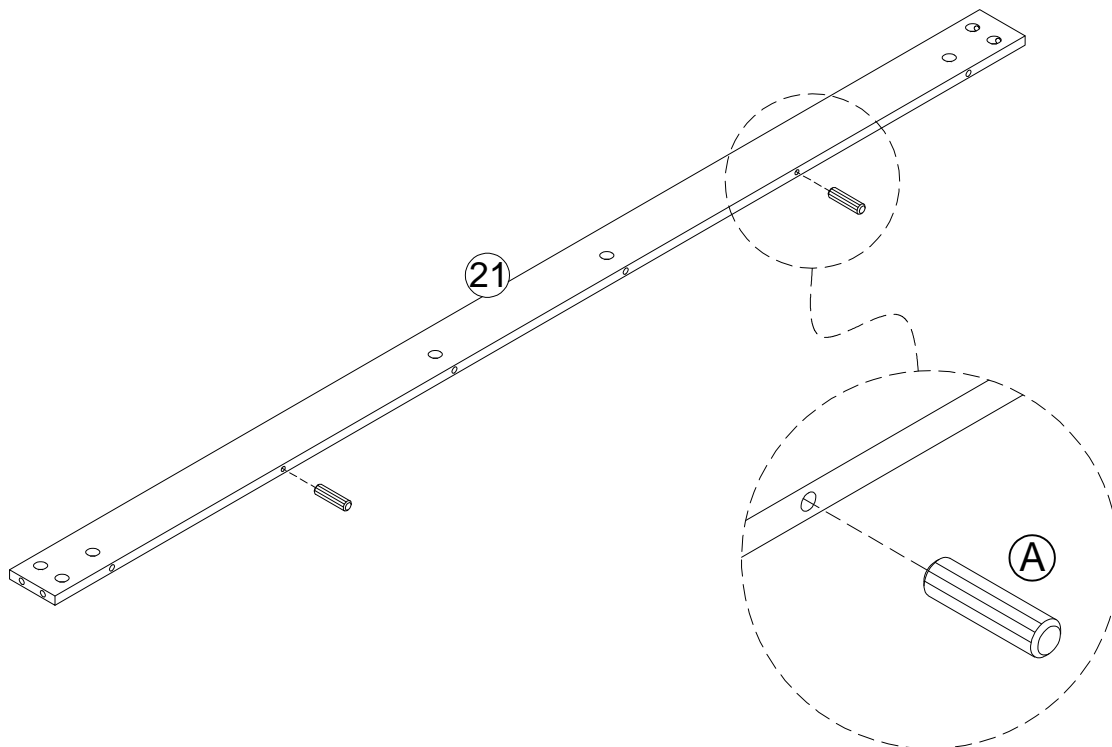
17

(A) x 4pcs



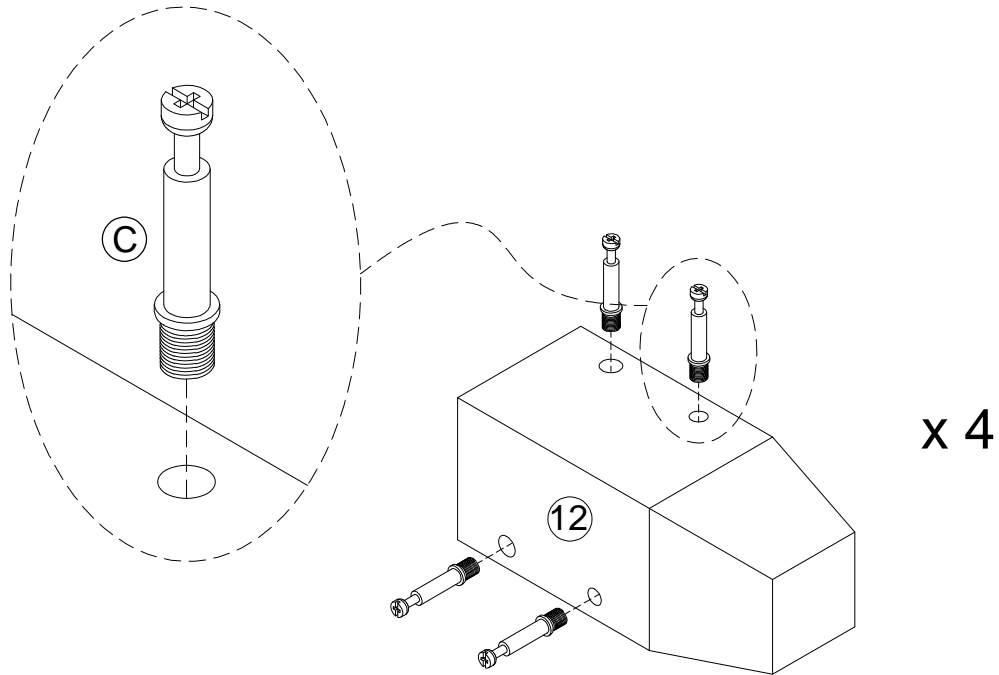
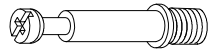
18

(A) x 4pcs



19

Ⓒ x 16pcs

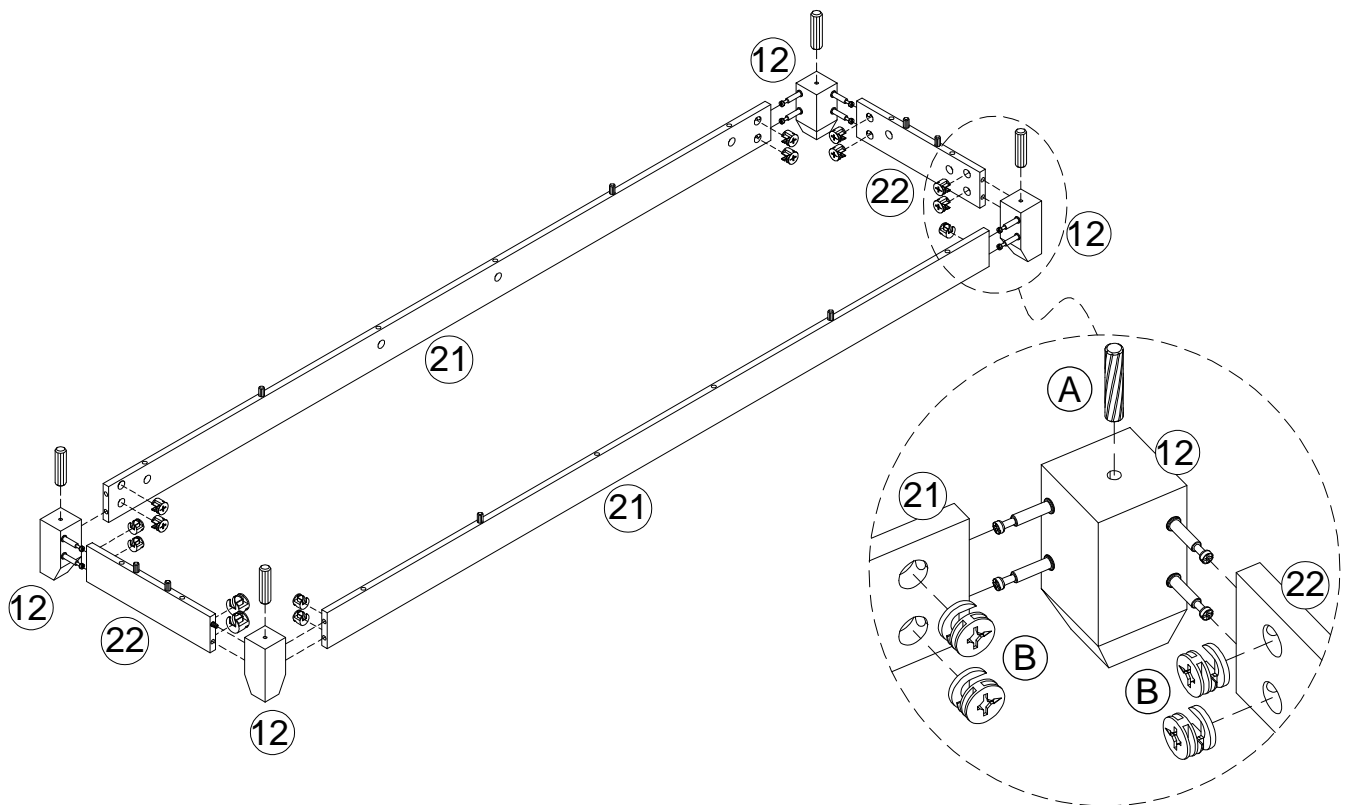
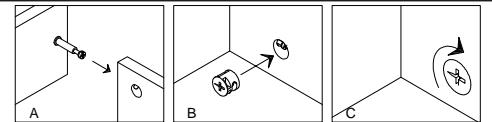


20

Ⓐ x 4pcs

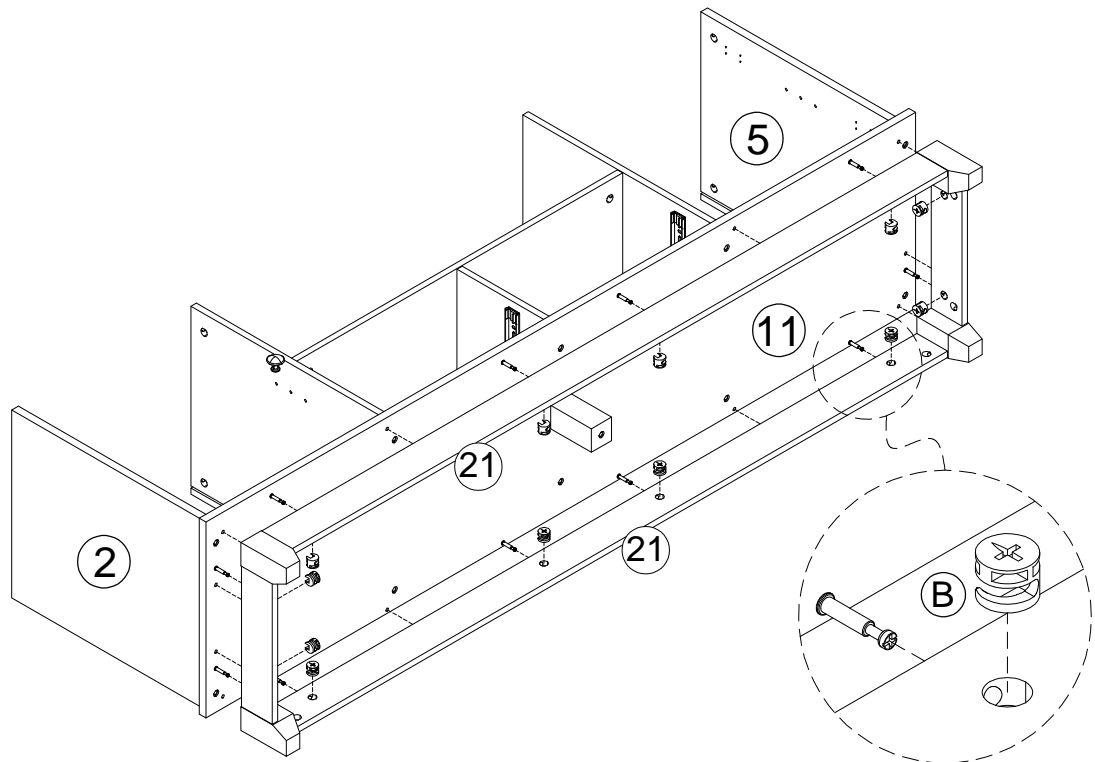
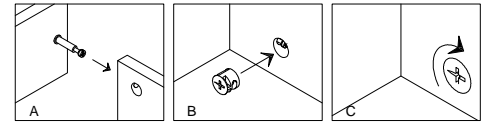


Ⓑ x 16pcs



21

ⓑ x 12pcs

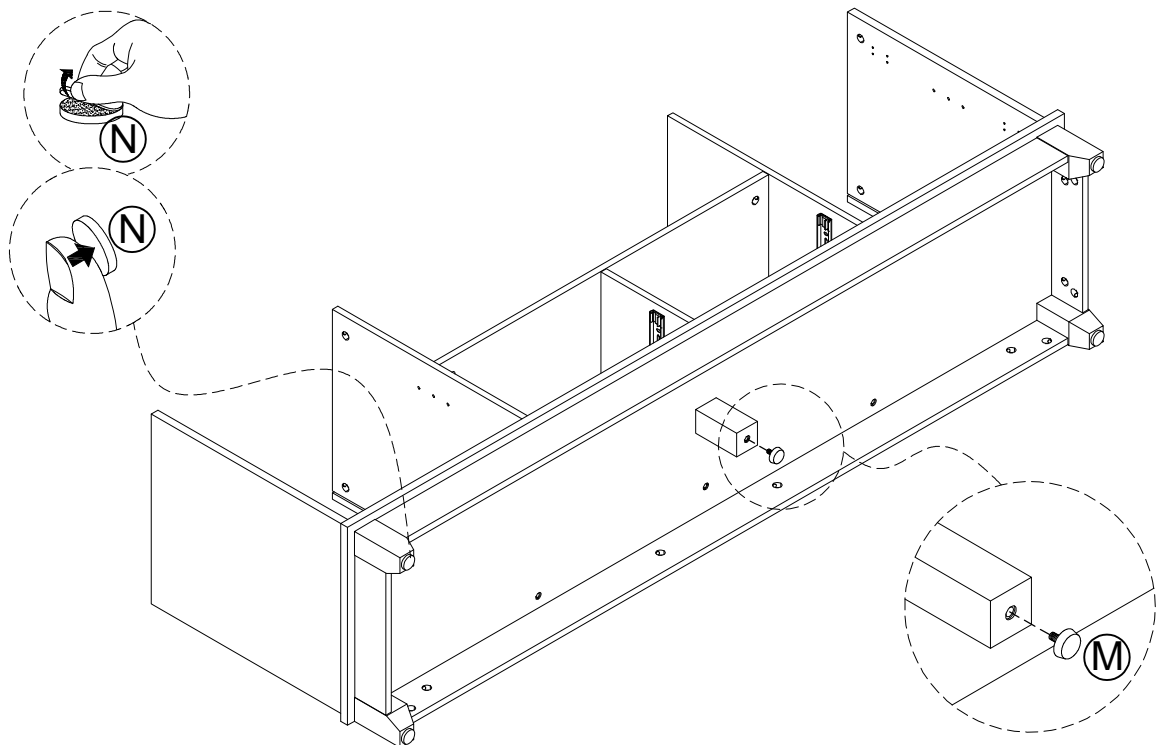


22

Ⓜ x 1pc

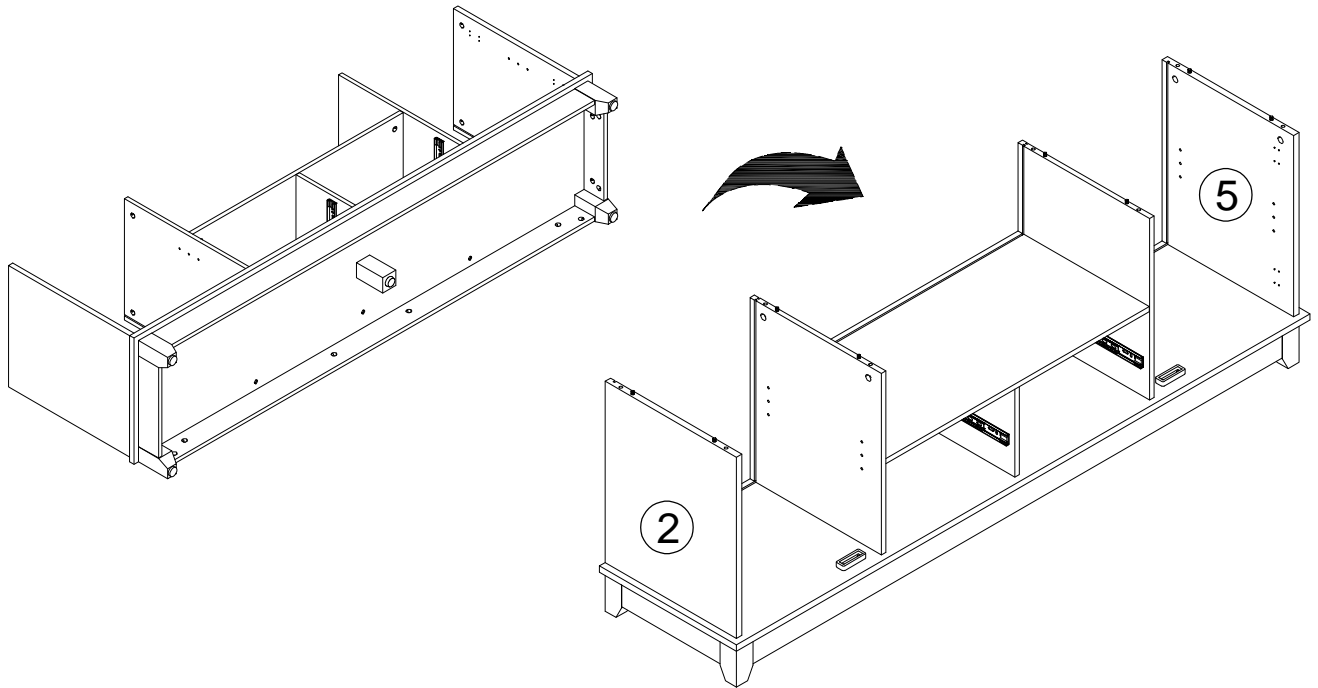


Ⓝ x 4pcs

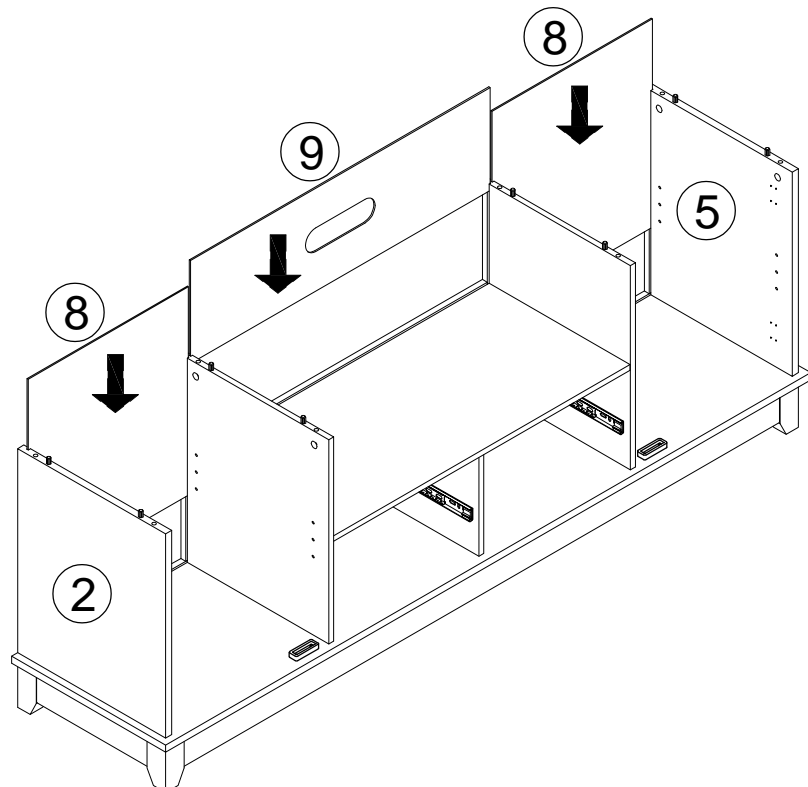


23

Keep the board #2 and #5 in place ,then turn over the product.



24



25

ⓐ x 8pcs

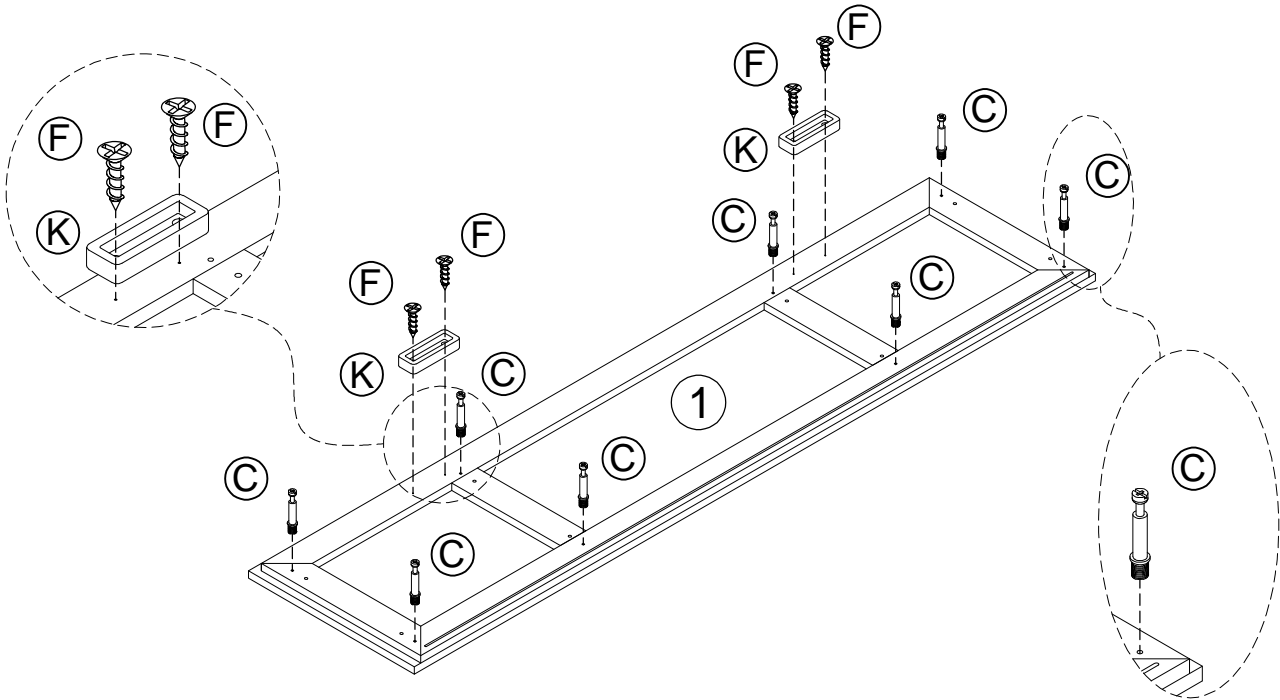


ⓕ x 4pcs



Ø7*Ø3.5*12mm

Ⓚ x 2pcs

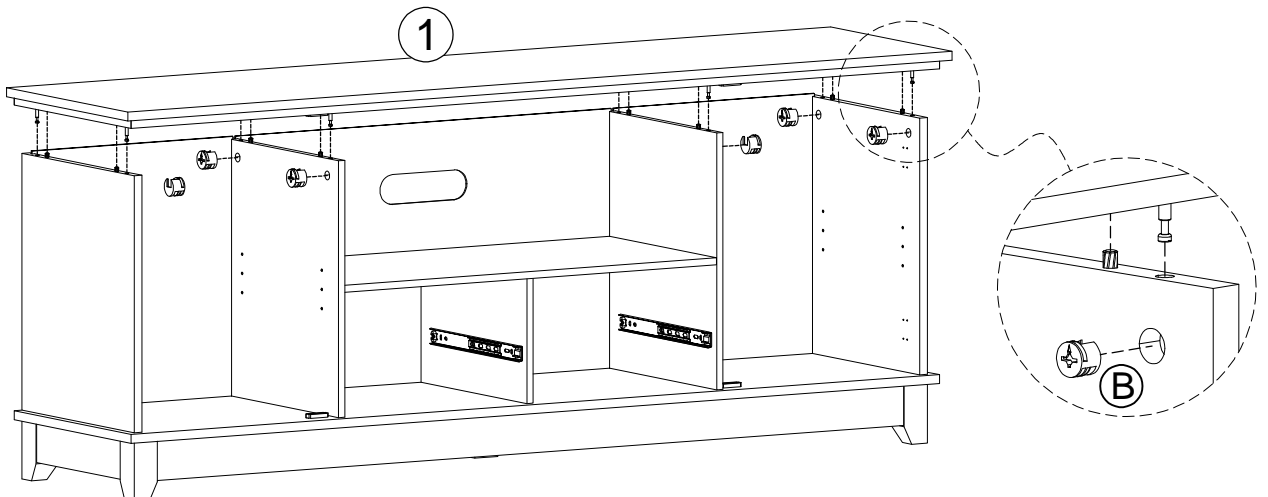
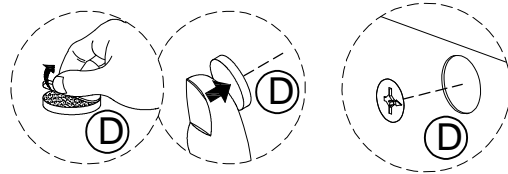
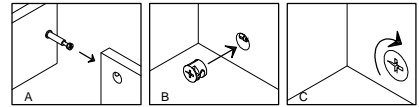


26

ⓑ x 8pcs



ⓓ x 8pcs



27

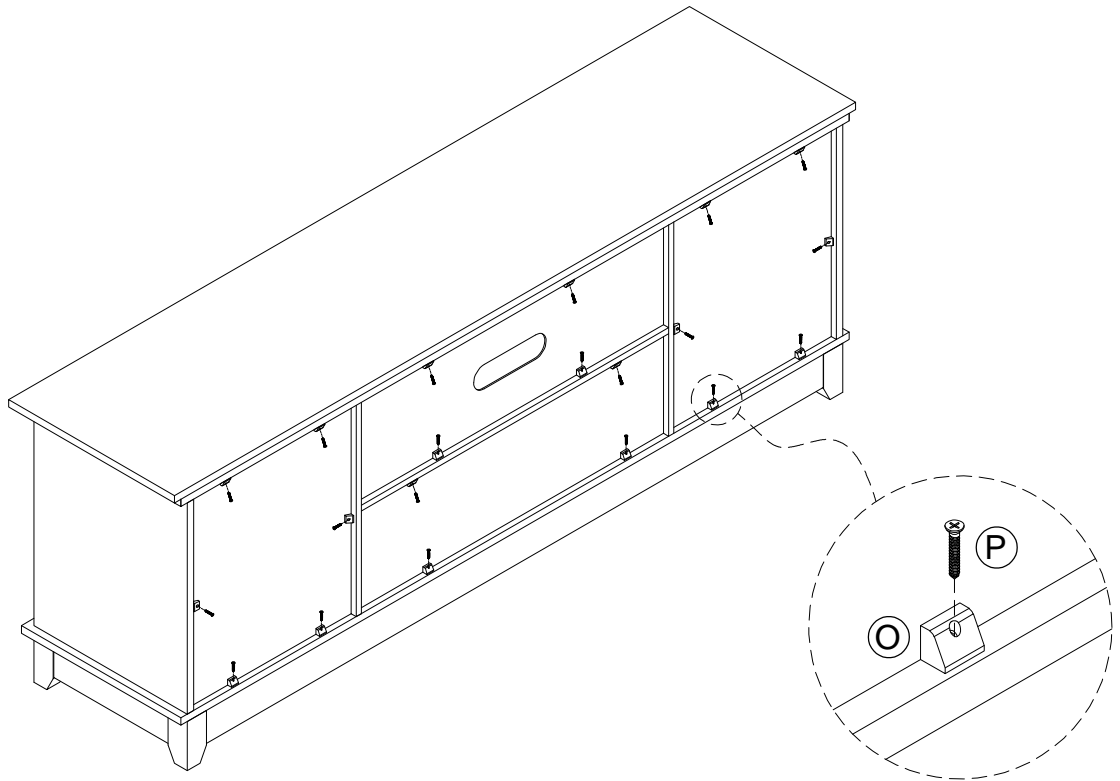
○ x 20pcs



Ⓟ x 20pcs

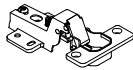


Ø6*Ø3*14mm



28

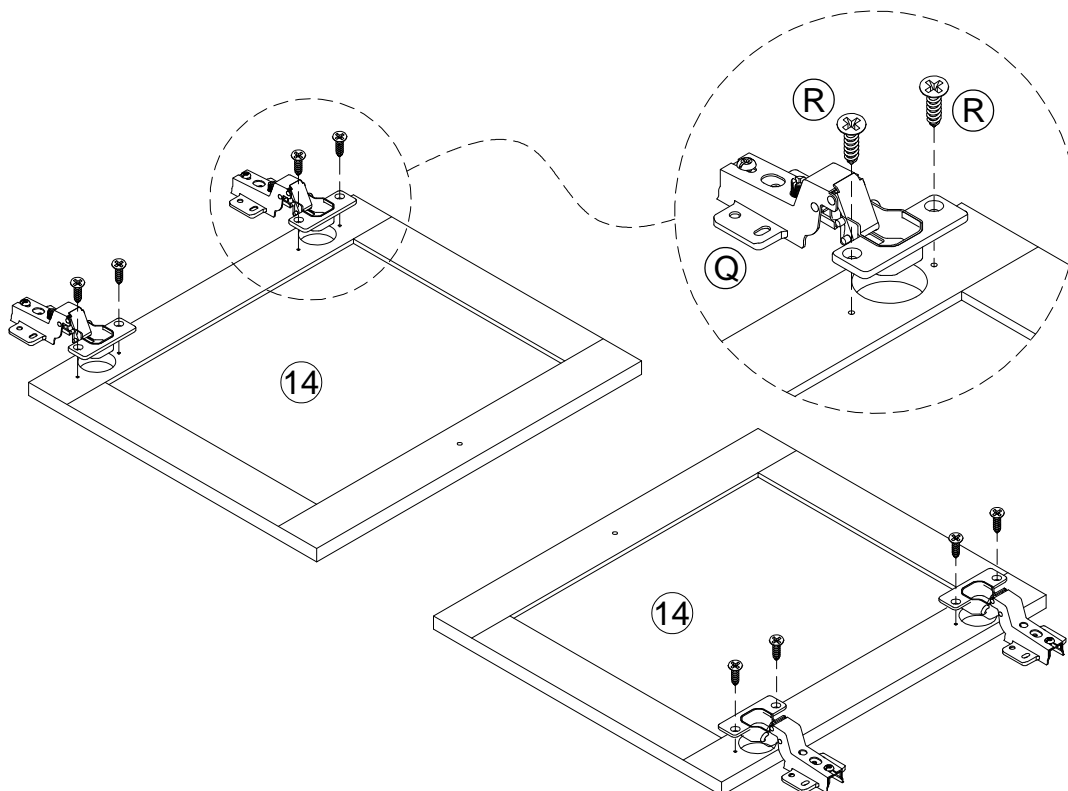
Ⓚ x 4pcs



Ⓡ x 8pcs



Ø8*Ø4*14mm

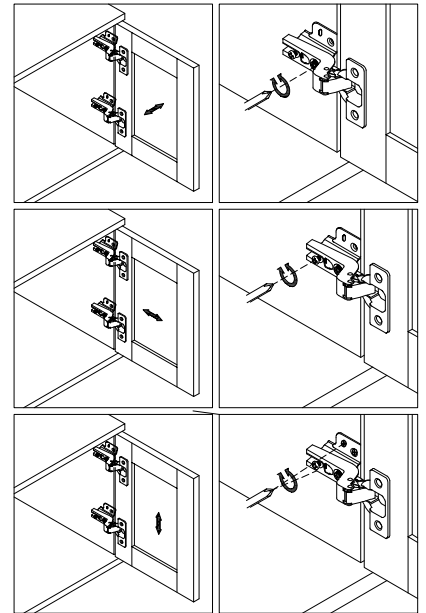
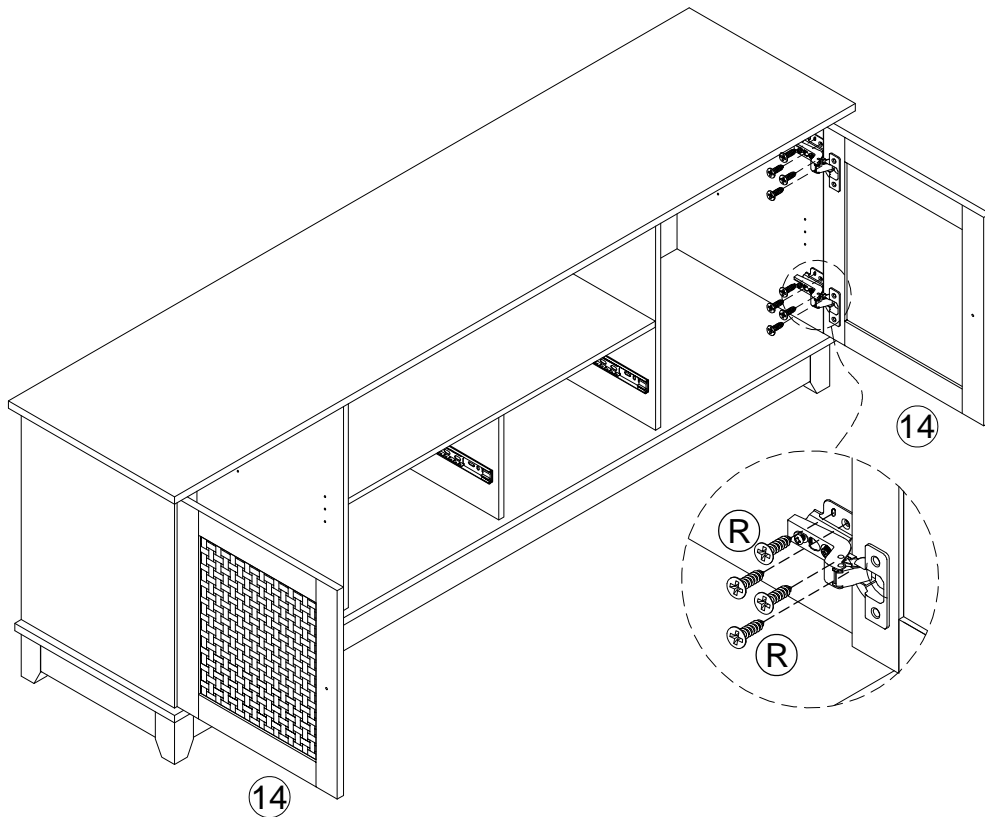


29

Ⓡ x 16pcs



Ø8*Ø4*14mm



30

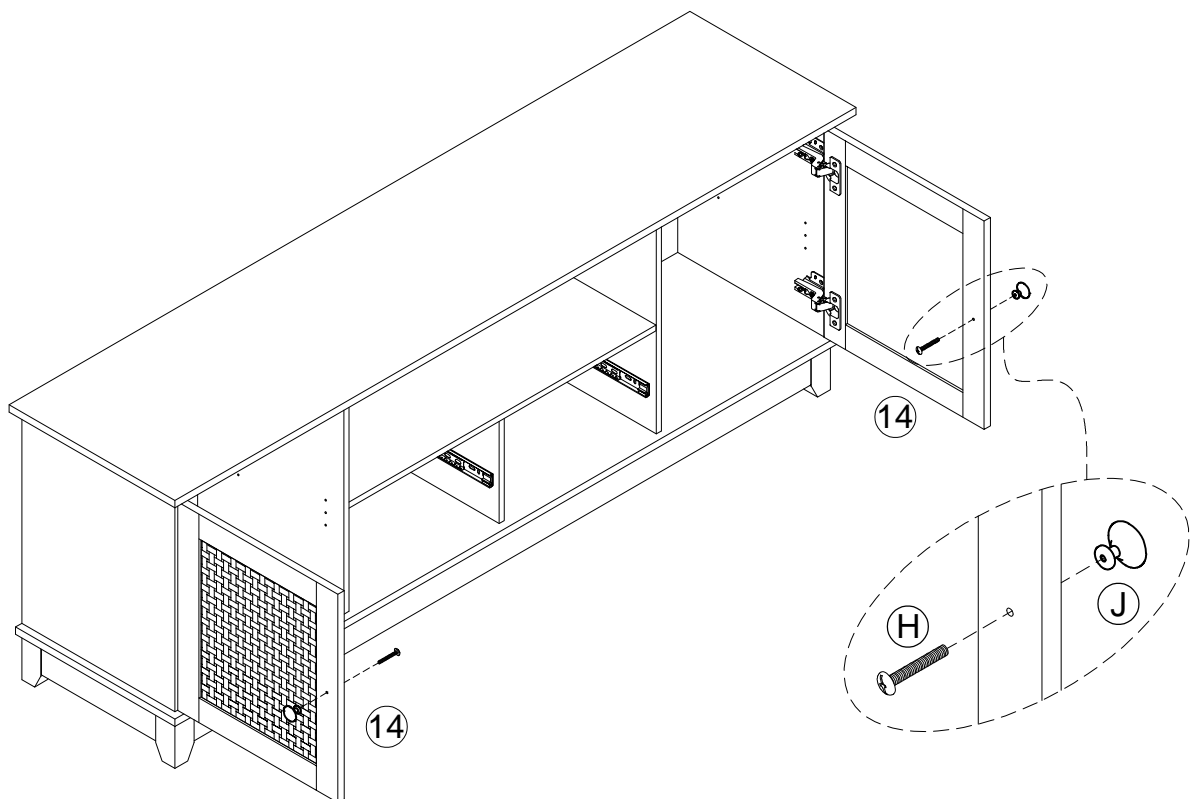
Ⓝ x 2pcs



Ⓜ x 2pcs

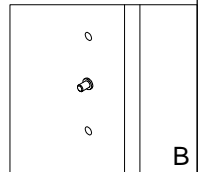
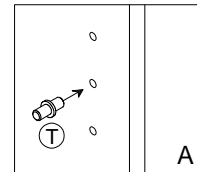
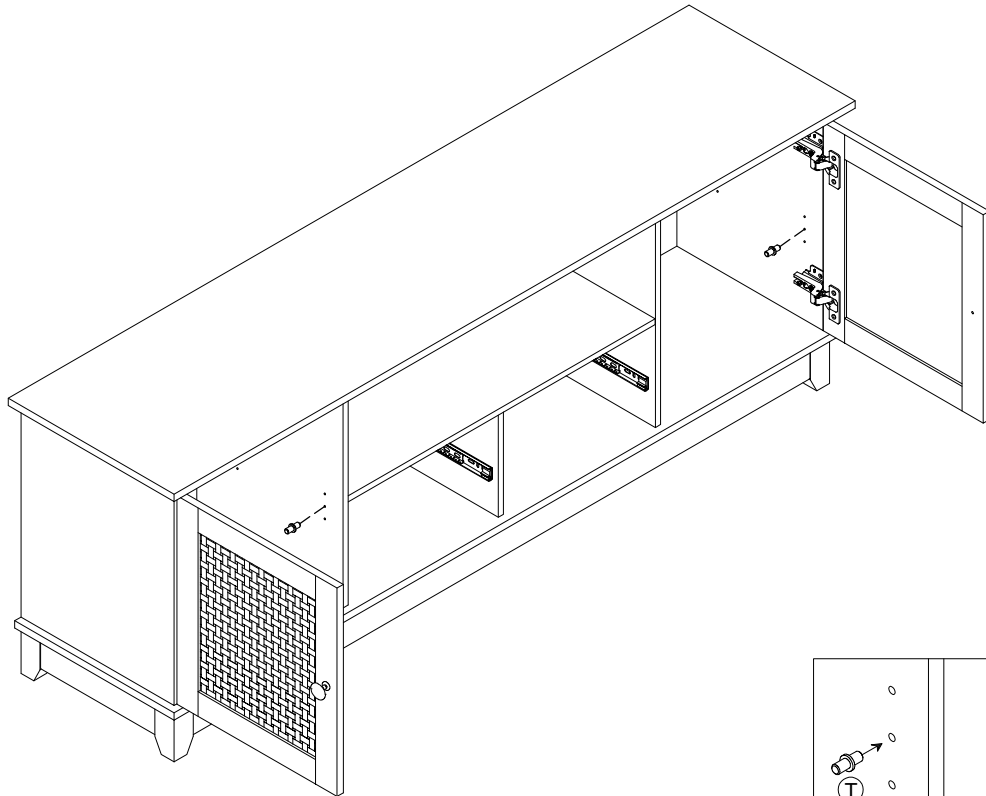


20mm

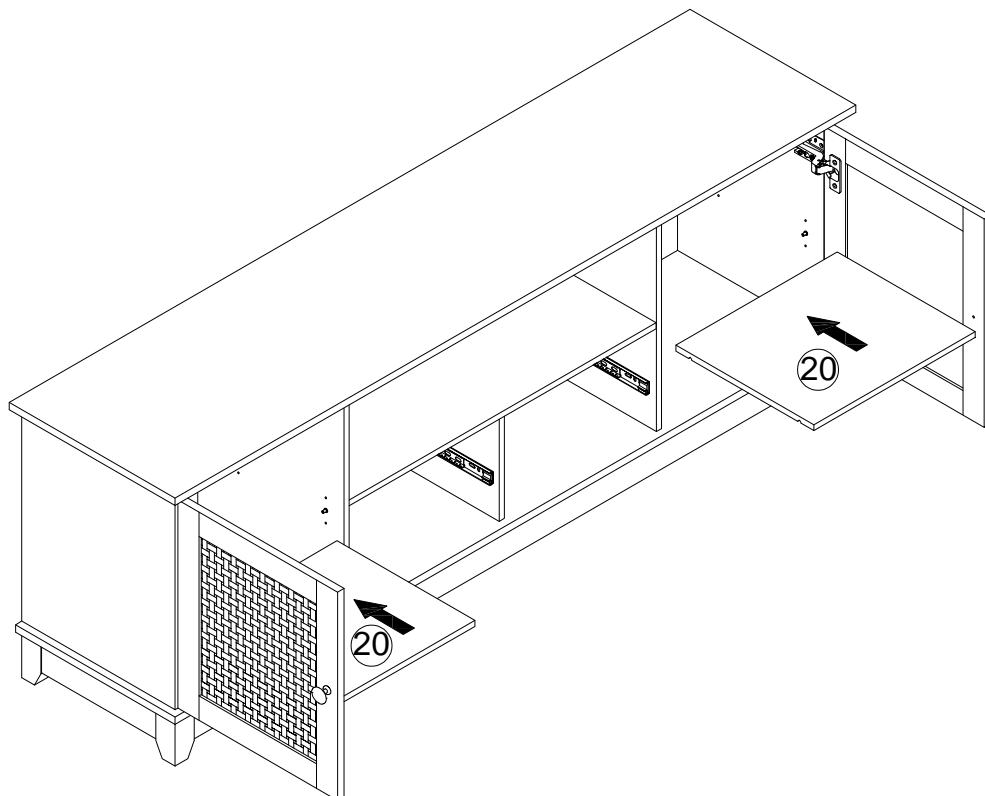


31

Ⓣ x 8pcs

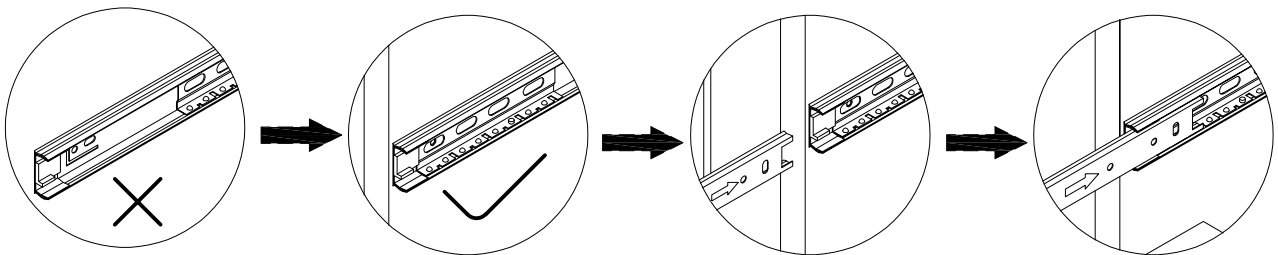
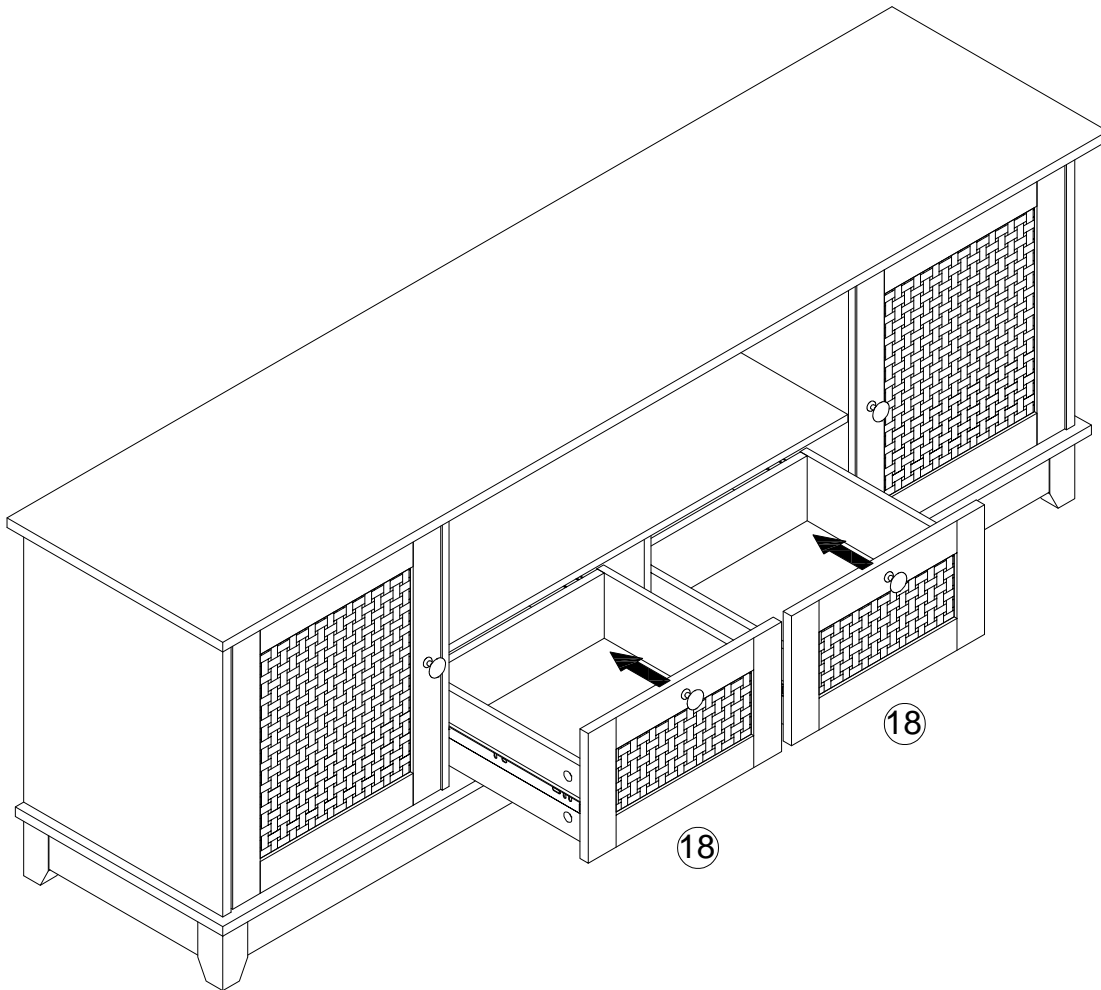
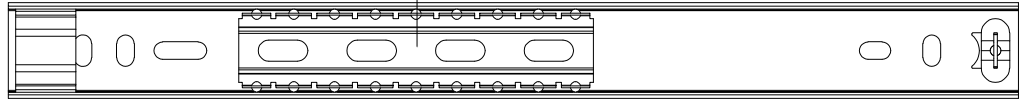


32



33

Sliding block



Noted the sliding block need to move to front,
,then insert the drawer and drawer slide inner.