

ASSEMBLY INSTRUCTION

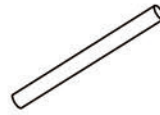
1.x1



2.x1



3.x1



A.x1



B.x1



C.x1

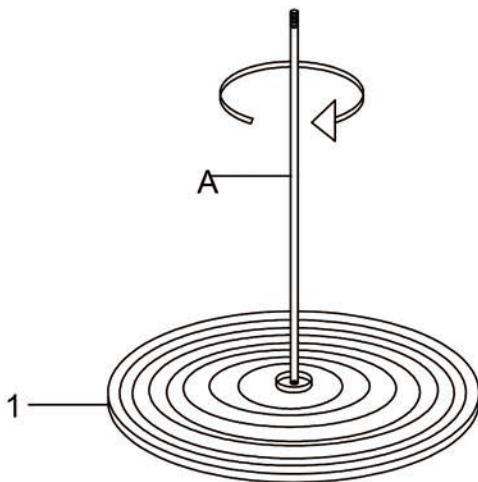


M10

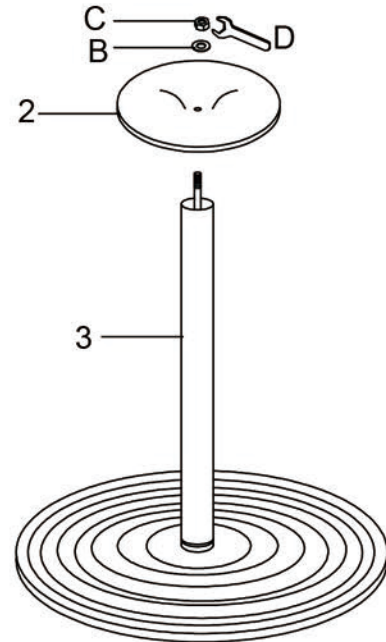
D.x1



Step1



Step2



Step3

