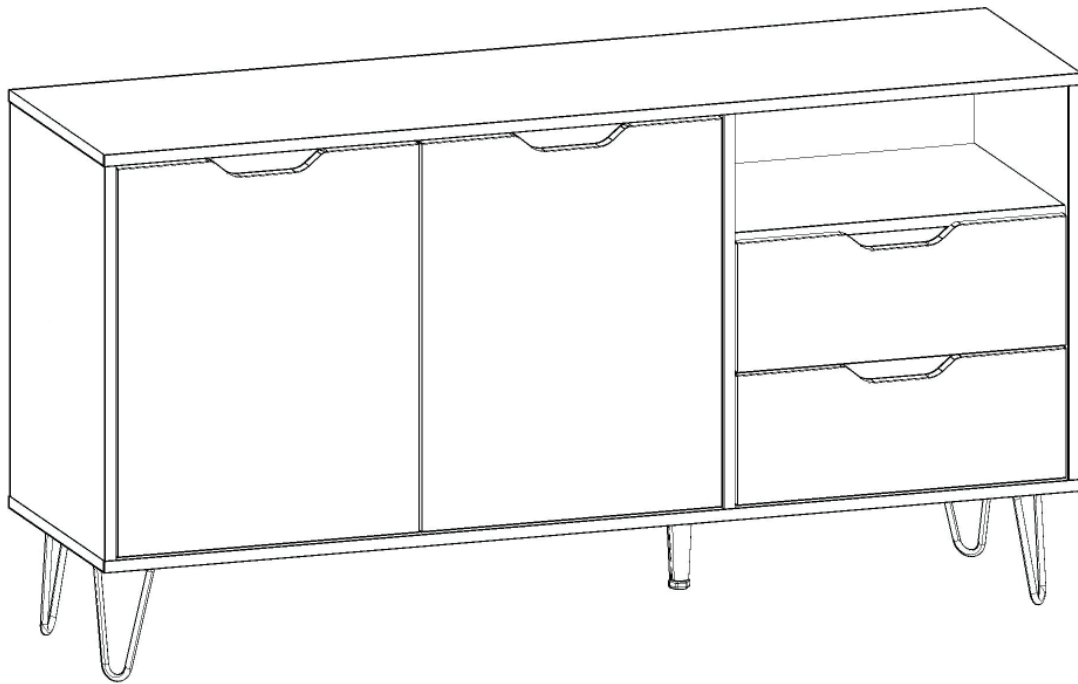


2 DOOR 2 DRAWER SIDEBOARD
OAK EFFECT/WHITE/GREY

-----HN

ASSEMBLY INSTRUCTIONS



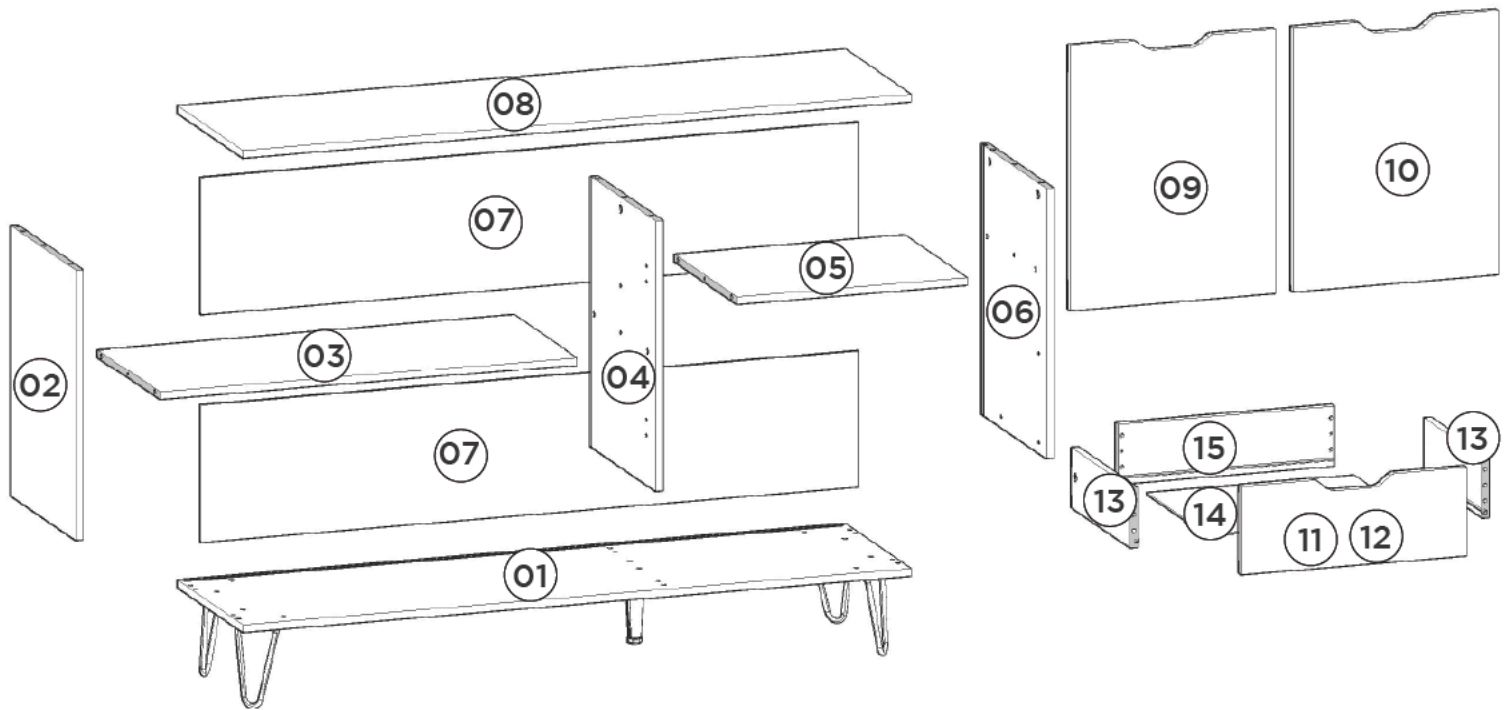
**IMPORTANT
FOR DOMESTIC USE ONLY**

PLEASE READ BEFORE YOU CONTINUE FURTHER

CARE AND MAINTENANCE

After unpacking this product please keep the original packaging in case it needs to be returned for any reason.

- Please ensure all fittings and parts are present before commencing with assembly.
- Never drag or push products as this could cause damage to the joints making it inferior.
- We strongly recommend that you keep children away from your work area.
- Assemble this product as close to its final position as possible.
- Do not place this product next to a radiator or in direct sunlight.
- Do not drag or push items across your high gloss furniture as this may cause the surface to scratch.
- Wood is a natural product and may expand if subjected to damp and may shrink or crack if subjected to heat. Therefore it is recommended that room temperature is maintained, with no sudden temperature fluctuations.
- Make sure any spillage is wiped off immediately.
- Do not place hot or chilled items directly on to the surface, use a place mat or marking will occur.
- For general cleaning use a soft cotton or micro fibre cloth, and do not use detergents of any kind.
- From time to time it may be necessary to tighten fittings, regular inspections should be carried out.
- Do not place on a wet or damp floor as staining may occur to your floor.



*Use of power tools to assemble this product will invalidate any claim and damage this product making it unsafe!!!
*Please assemble on a clean soft surface to avoid damage.



*Please check contents and read the instructions before commencing assembly.
*Assemble this product following the enclosed instructions carefully.
*Please take care to avoid damaging panels during assembly.

PARTS LIST

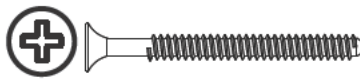


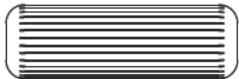
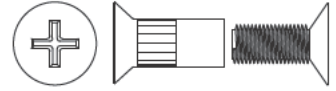
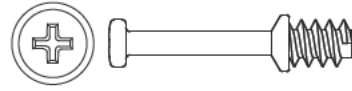
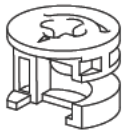
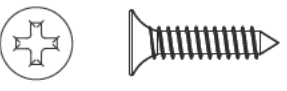

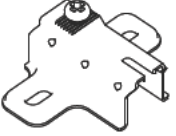
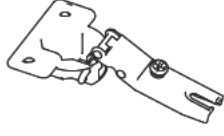
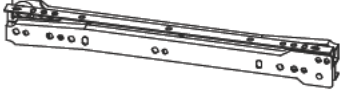
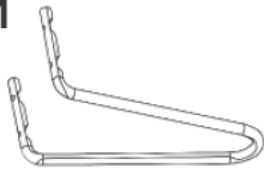
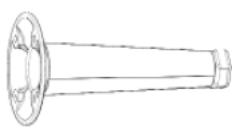

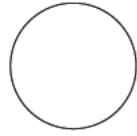
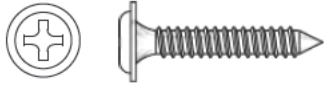
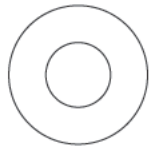
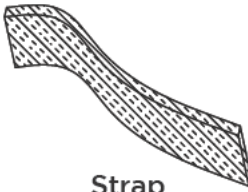

Please Note:

The below parts have all been stamped with the part number to help identify them during assembly.

Part Number
01
02
03
04
05
06
07
08
09
10
11
12
13
14
15

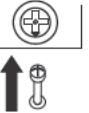
Part Description	Quantity	Carton
Base Panel	1	1/2
Left Side Panel	1	1/2
Shelf Panel	1	1/2
Division Panel	1	1/2
Fixed Shelf	1	1/2
Right Side Panel	1	1/2
Back Panel	2	1/2
Top Panel	1	1/2
Left Door	1	2/2
Right Door	1	2/2
Drawer Front	1	2/2
Lower Drawer Front	1	2/2
Drawer Side	4	1/2
Drawer Bottom	2	1/2
Drawer Back Panel	2	1/2

FITTINGS LIST


<p>A 10x</p>  <p>Flat Head Screw Ø3,5x40mm</p> <p>+/1</p>	<p>B 26x</p>  <p>Flan Head Screw Ø3,5x14mm</p> <p>+/2</p>	<p>C 20x</p>  <p>Flat Head Screw Ø3,5x10mm</p> <p>+/2</p>	<p>D 34x</p>  <p>Dowel Ø8x25mm</p> <p>+/2</p>
<p>E 10x</p>  <p>Union screw 18mm</p> <p>+/1</p>	<p>F 13x</p>  <p>Cam Bolt</p> <p>+/2</p>	<p>G 13x</p>  <p>Cam Nut Ø15mm</p> <p>+/2</p>	<p>H 16x</p>  <p>Flat Head Screw Ø3,0x16mm</p> <p>+/3</p>
<p>I 16x</p>  <p>Triangle support angle</p> <p>+/3</p>	<p>J 04x</p>  <p>12mm Hinge Plate</p>	<p>K 04x</p>  <p>Hinge</p>	<p>L 02x</p>  <p>Drawer Runners</p>
<p>M 04x</p>  <p>Metal Leg</p>	<p>N 01x</p>  <p>Adjustable Leg</p>	<p>O 01x</p>  <p>Glue</p>	<p>P 16x</p>  <p>Hole Plugs</p>
<p>Q 02x</p>  <p>Flan Head Screw Ø3,0x20mm</p>	<p>R 04x</p>  <p>Washer</p>	<p>S 02x</p>  <p>Strap</p>	<p>T 01x</p>  <p>Back Panel Strip</p>

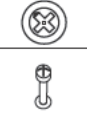
TIPS FOR FITTINGS CAM-LOCKS


When fitting cam nut. Ensure starting position is correct before you insert connecting cam bolt turn clockwise until secure.



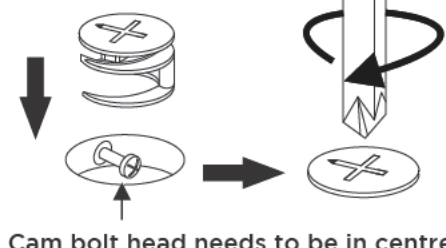
↑
CORRECT








WRONG



Cam bolt head needs to be in centre



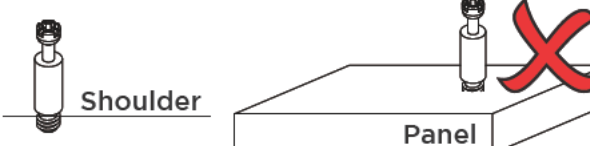
USE



DO NOT USE

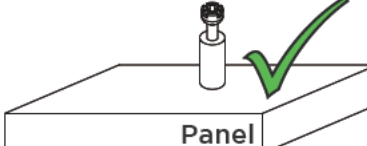
CAMBOLT

Tighten until shoulder in flush with panel. Do not overtighten or undertighten (see example beside).






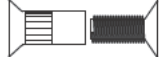


Shoulder

Panel

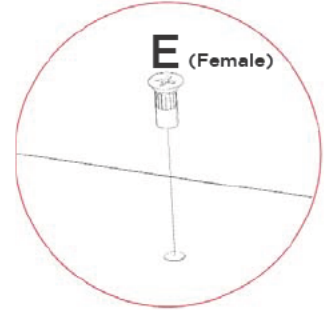


Panel

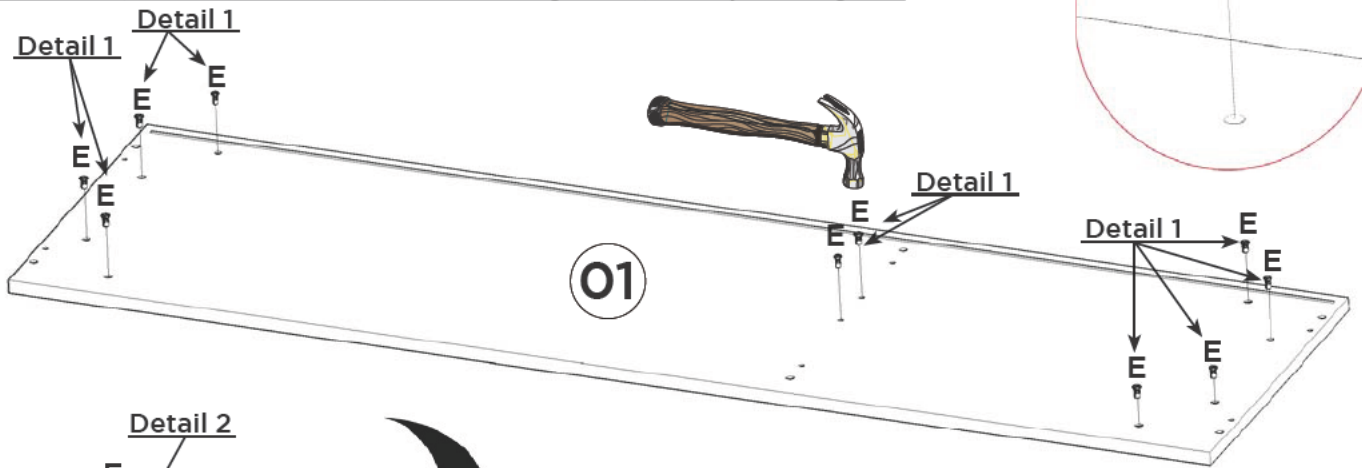
Pre-Assembly

B	10x	E	10x	M	04x	N	01x
							
Flan Head Screw Ø3,5x14mm		Union screw 18mm		Metal Leg	Adjustable Leg		

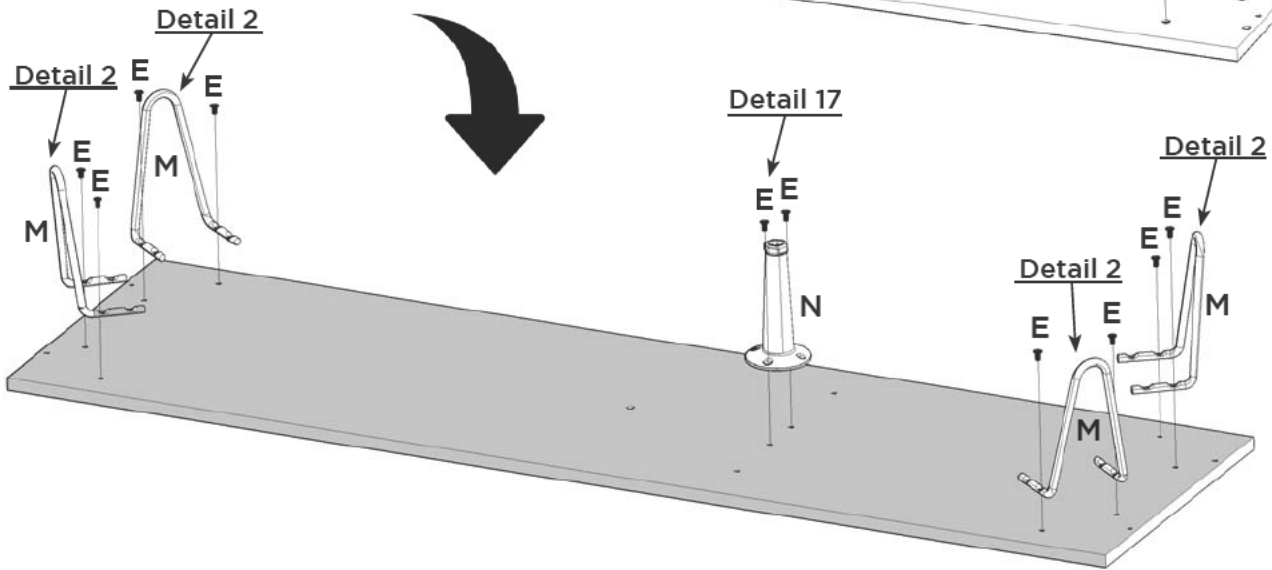
Detail 1



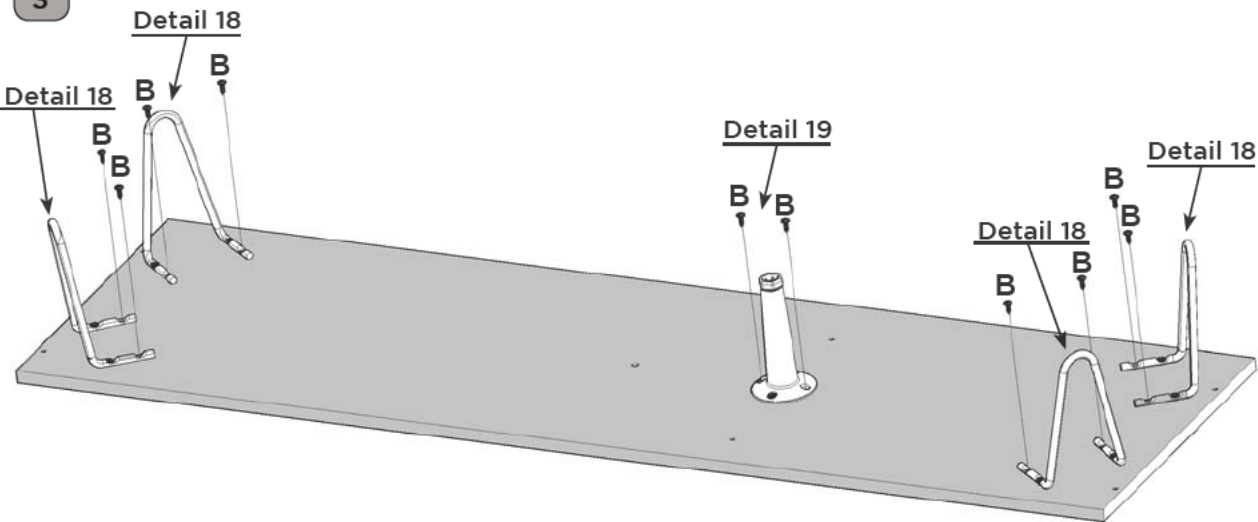
1



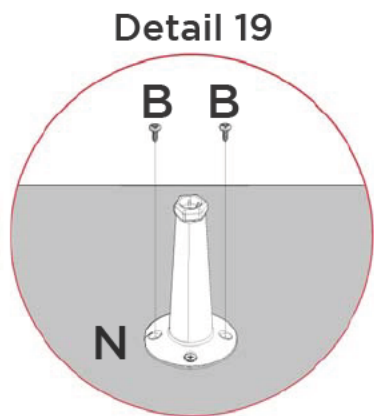
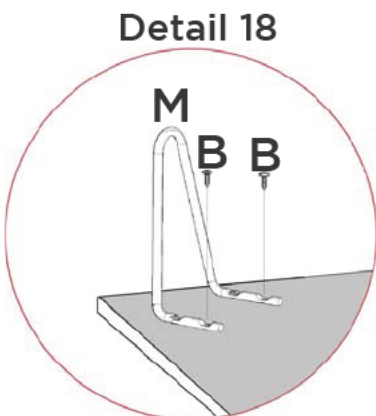
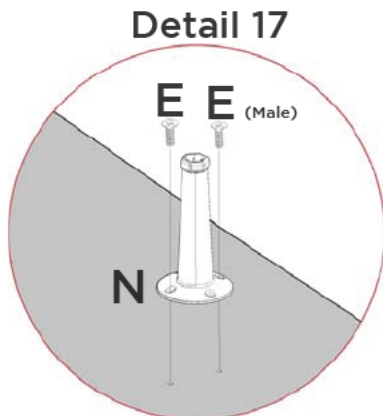
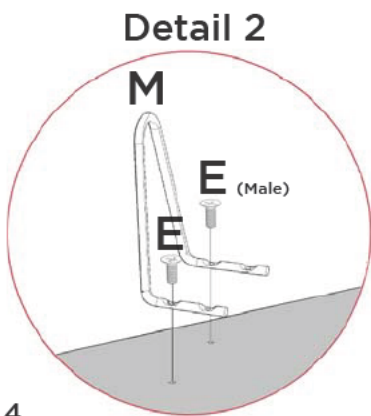
2



3







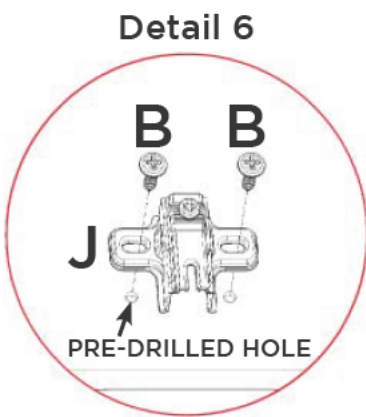
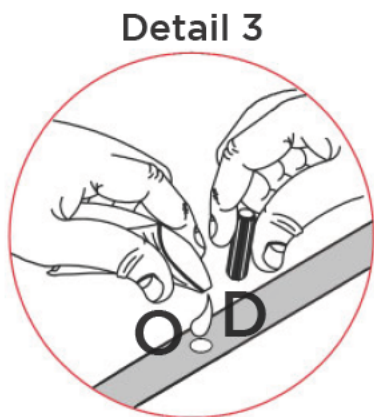
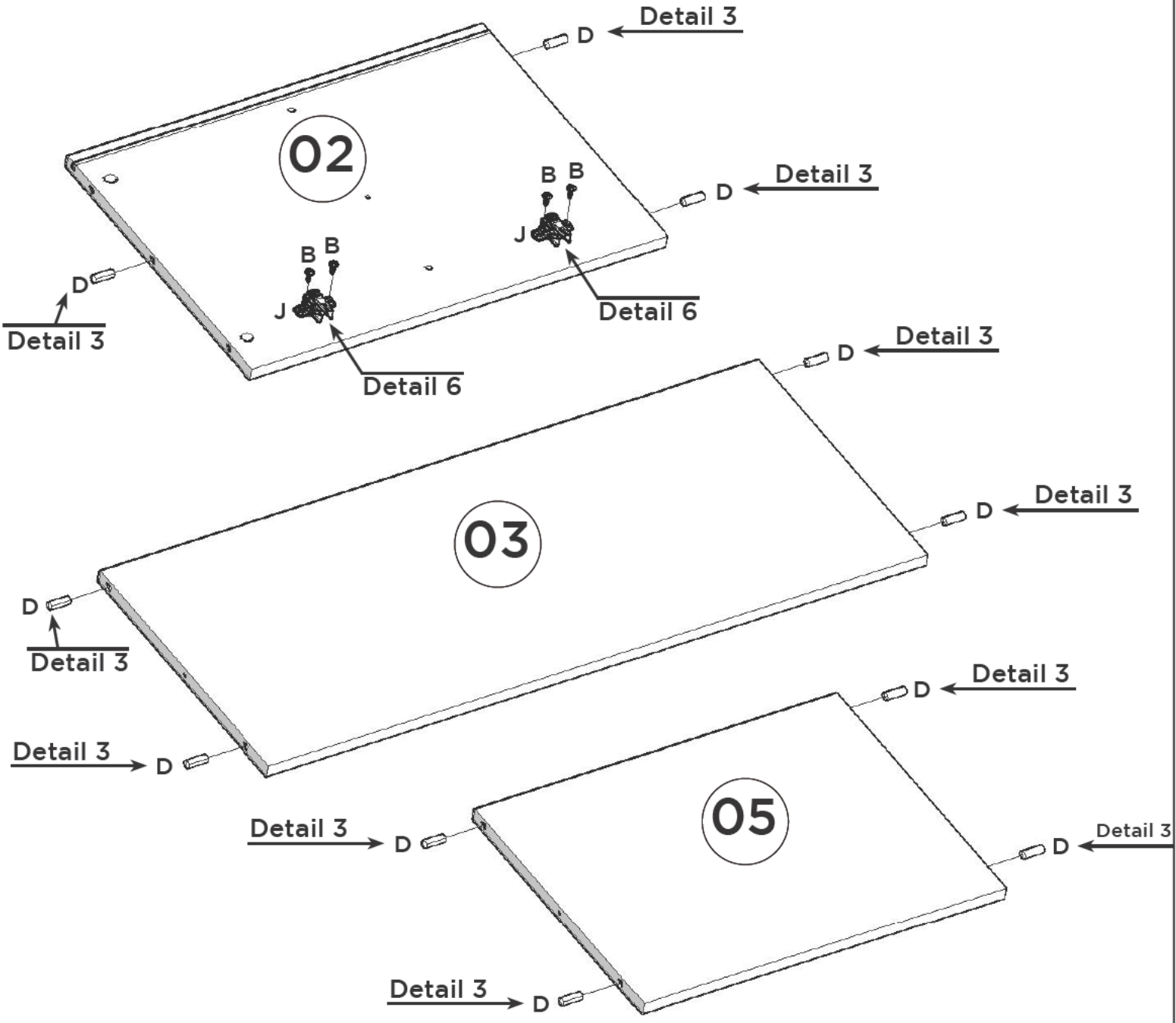
Perform the adjustment of the leg (N) at the moment of fixing it.







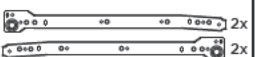

4

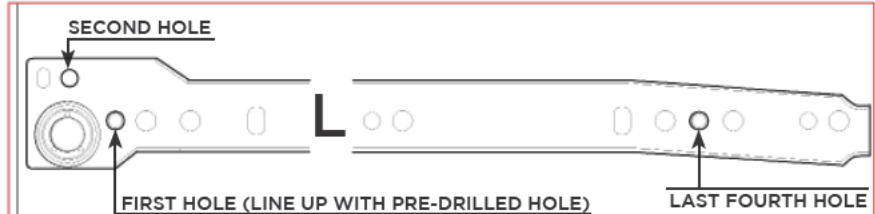
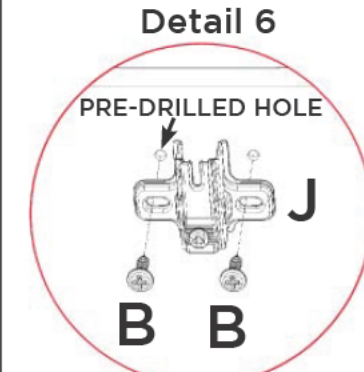
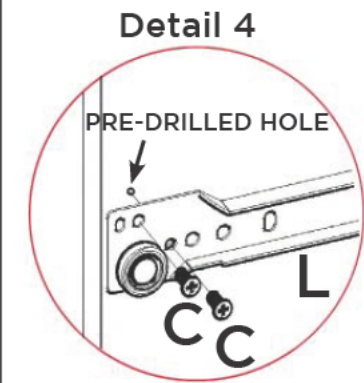
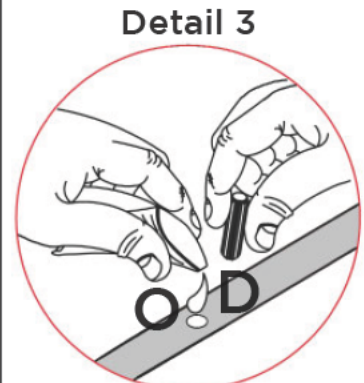
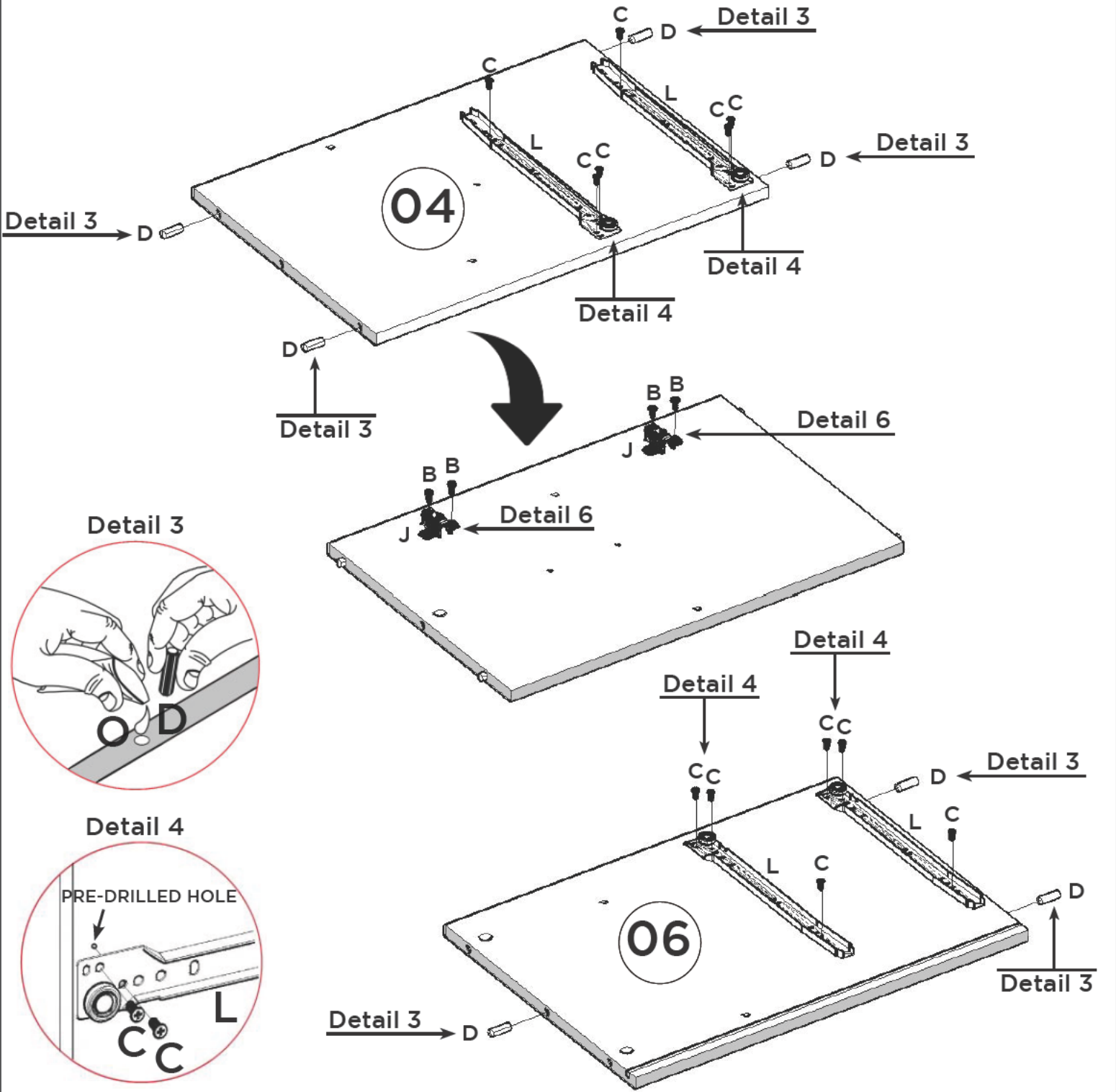
Pre-Assembly

B  Flan Head Screw Ø3,5x14mm	04x D  Dowel Ø8x25mm	11x J  12 mm Hinge Plate	02x O  Glue
--	--	---	--

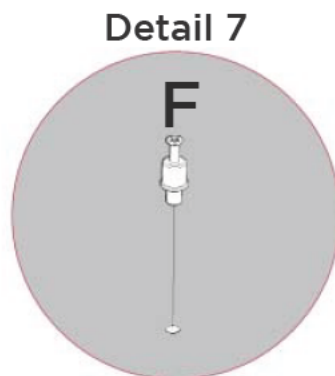
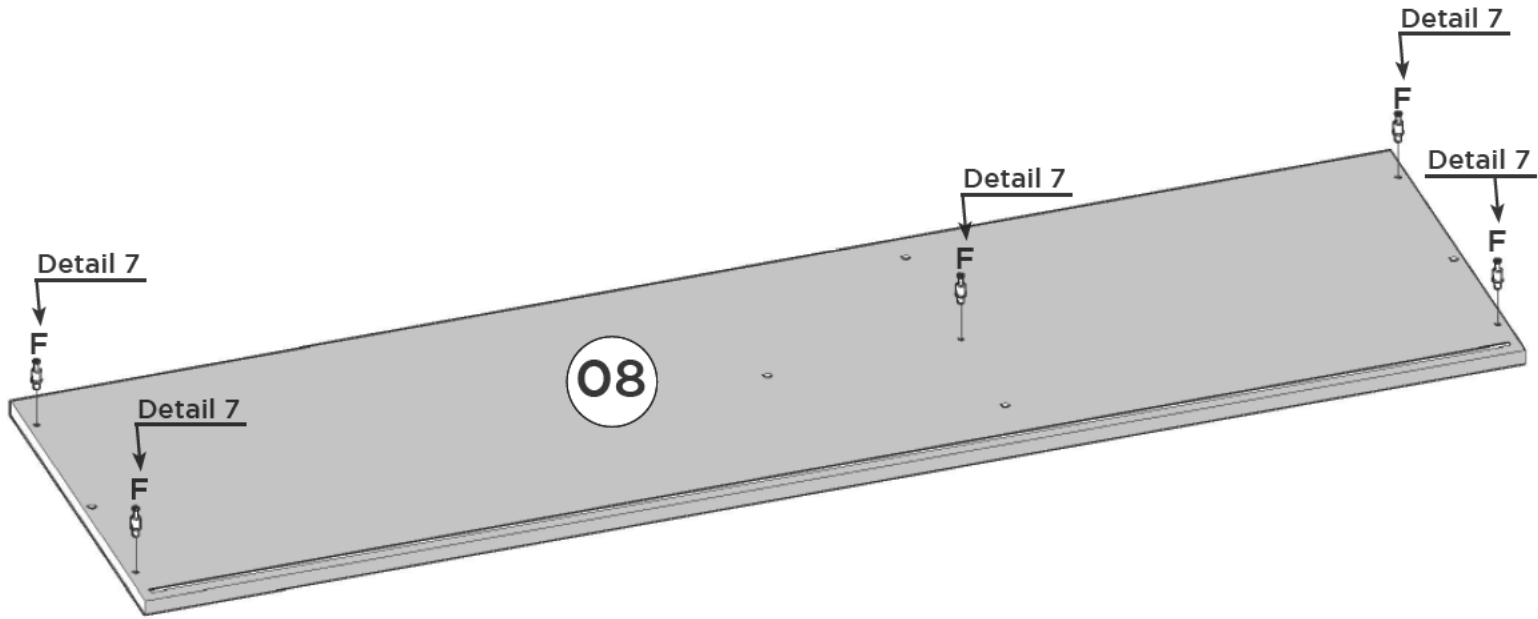
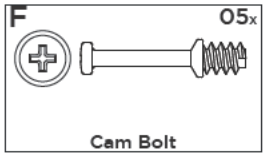


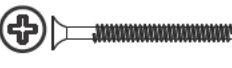


Pre-Assembly

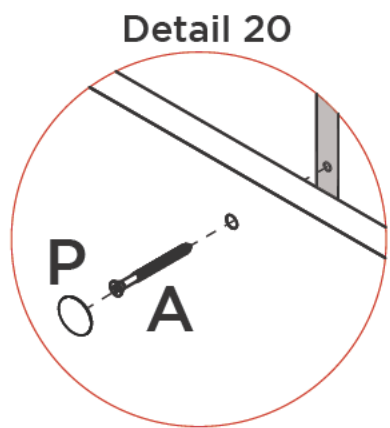
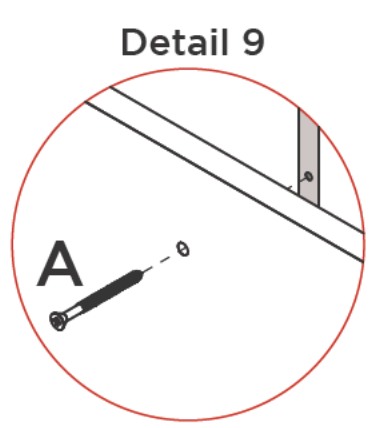
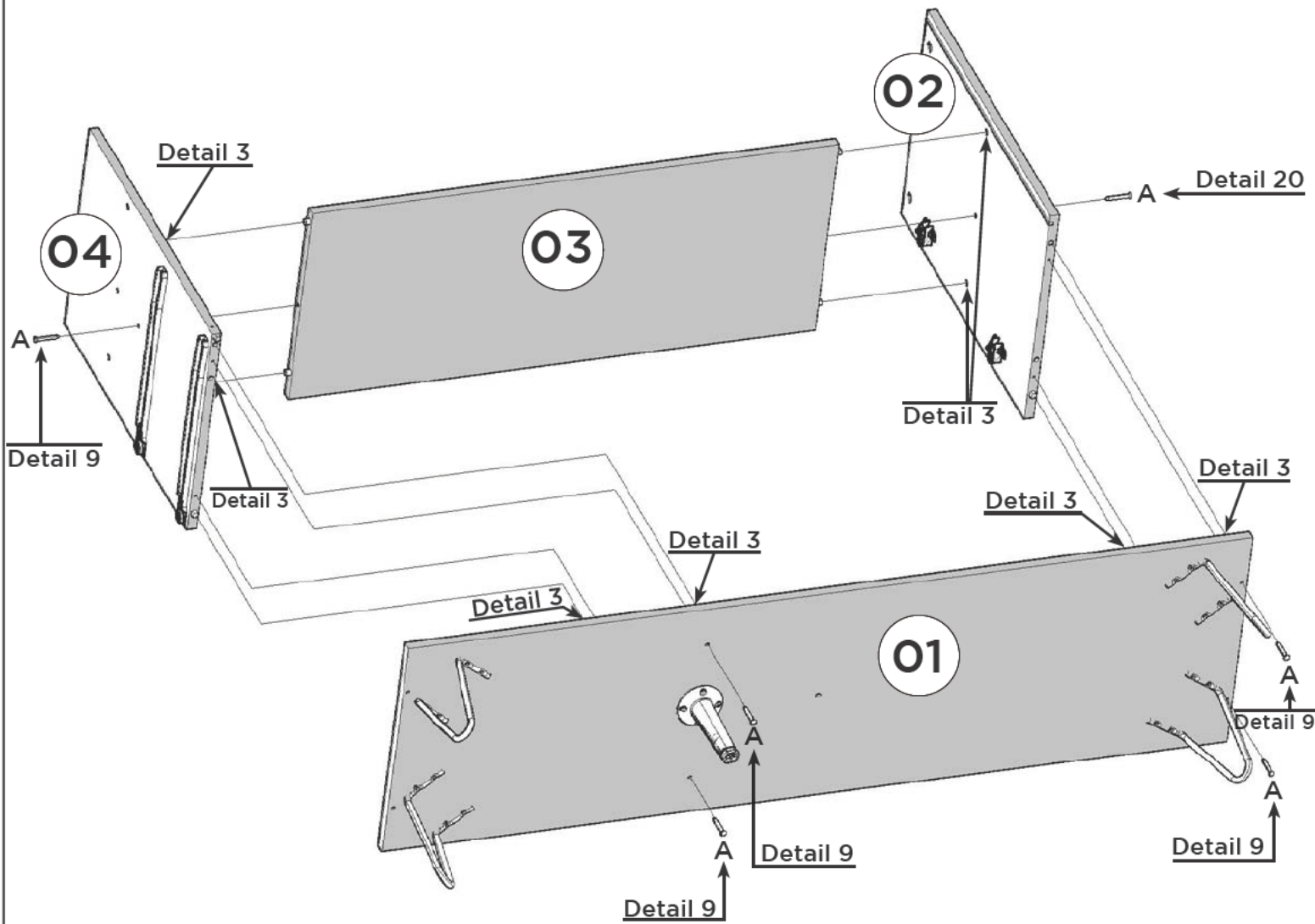
B 04x  Flan Head Screw Ø3,5x14mm	C 12x  Flat Head Screw Ø3,5x10mm	D 07x  Dowel Ø8x25mm	J 02x  12 mm Hinge Plate	L 04x  Drawer Runners	O  Glue
--	---	--	---	---	---

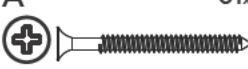




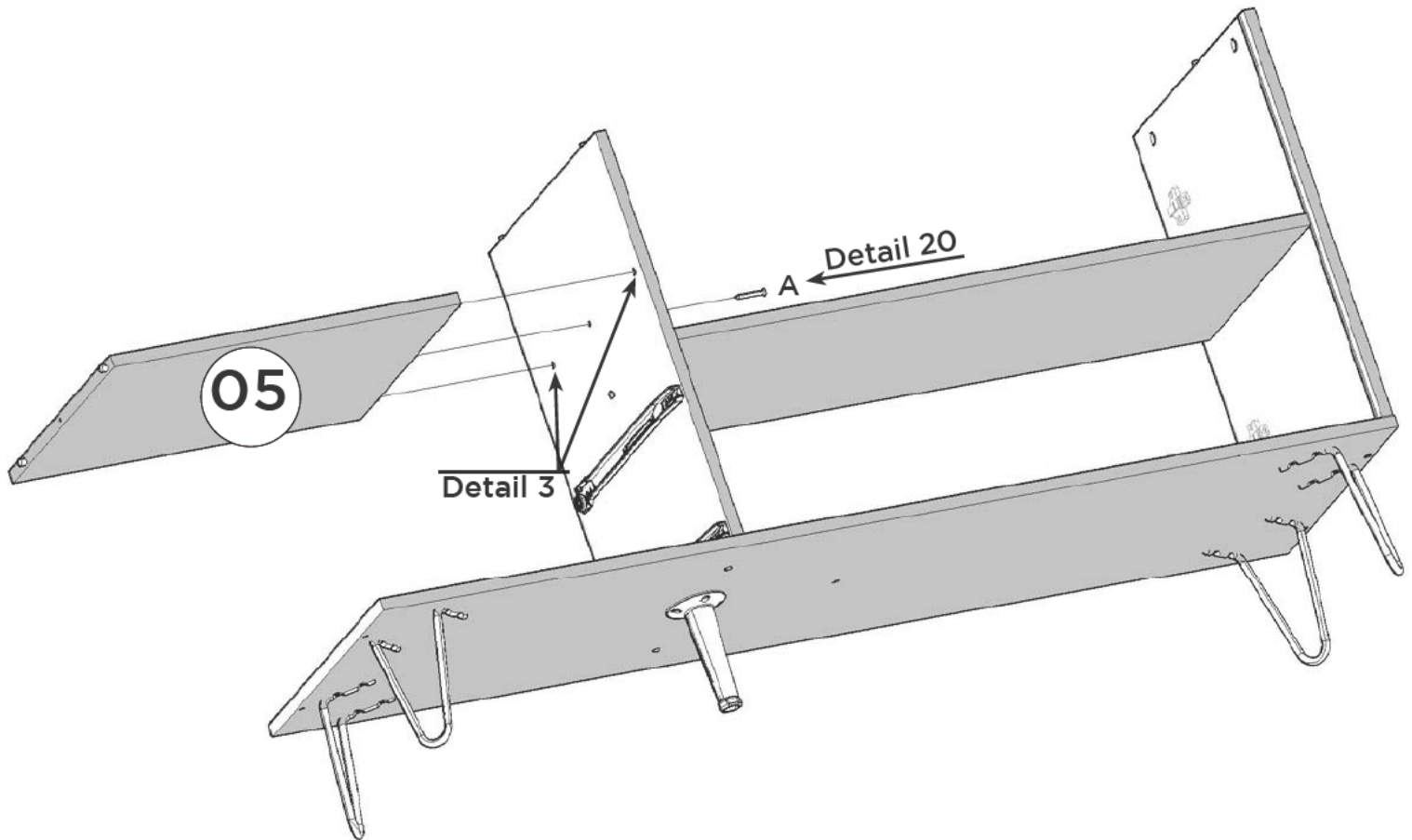
Pre-Assembly



<p>A</p>  <p>Flat Head Screw Ø3,5x40mm</p>	<p>O</p>  <p>Glue</p>	<p>P</p>  <p>Hole Plugs</p>
---	---	---



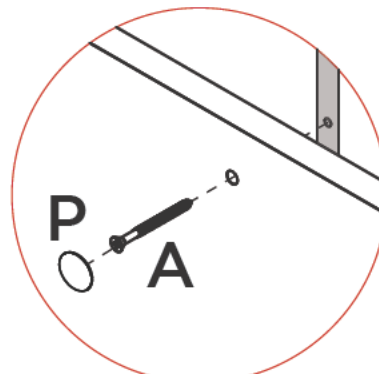
<p>A</p>  <p>Flat Head Screw Ø3,5x40mm</p>	<p>01x O</p>  <p>Glue</p>	<p>P</p>  <p>Hole Plugs</p>
---	--	--

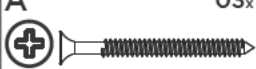

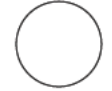


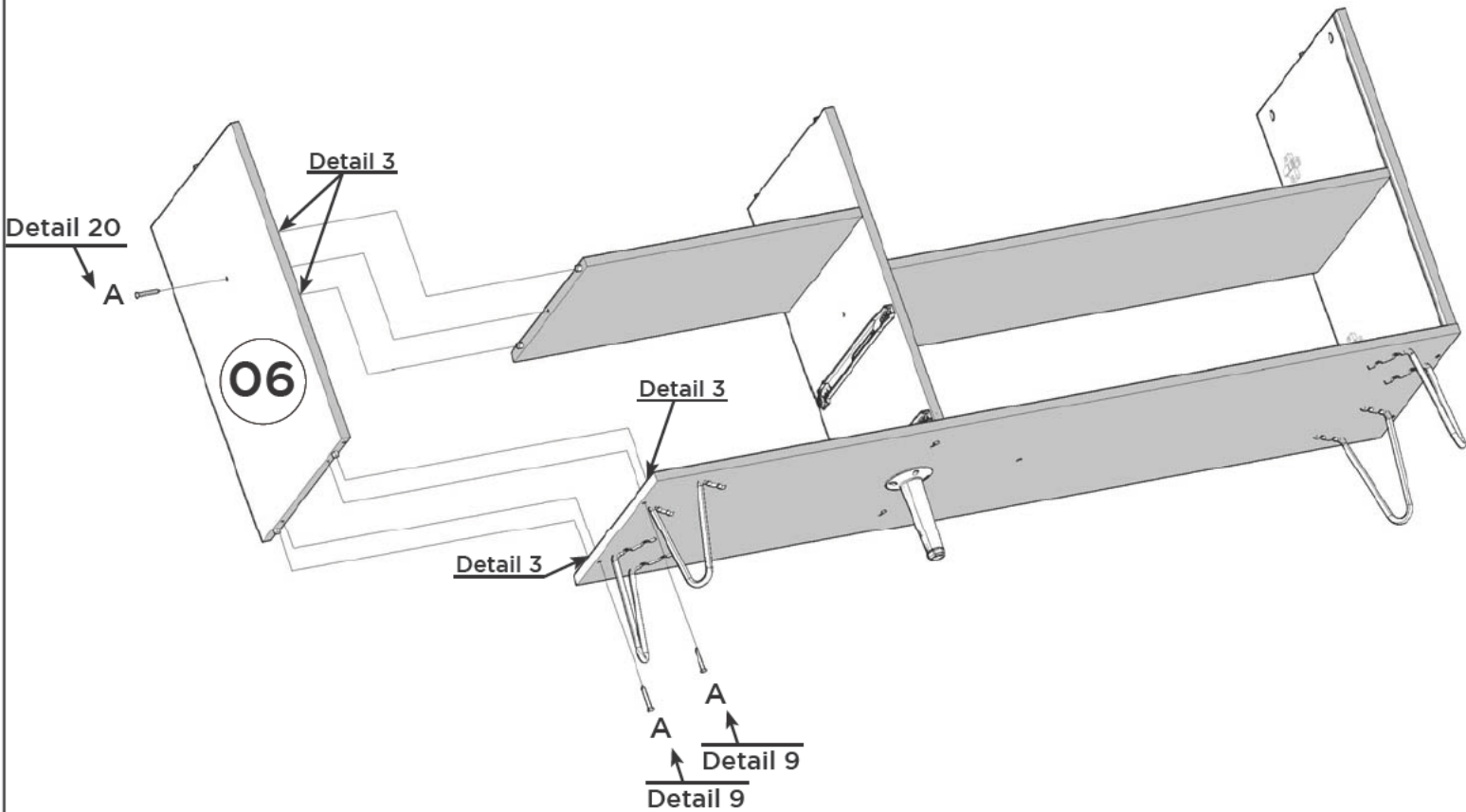
Detail 3



Detail 20



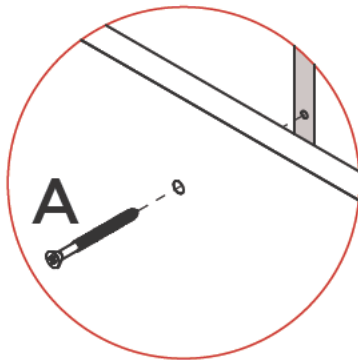
<p>A</p>  <p>Flat Head Screw Ø3,5x40mm</p>	<p>O</p>  <p>Glue</p>	<p>P</p>  <p>Hole Plugs</p>
---	---	---



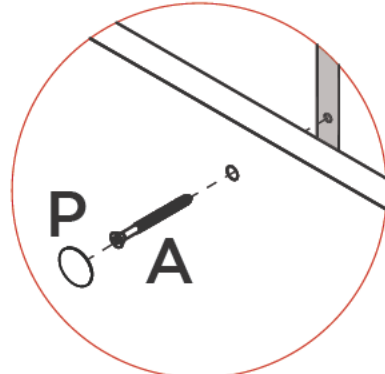
Detail 3

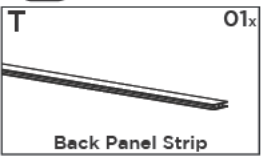


Detail 9

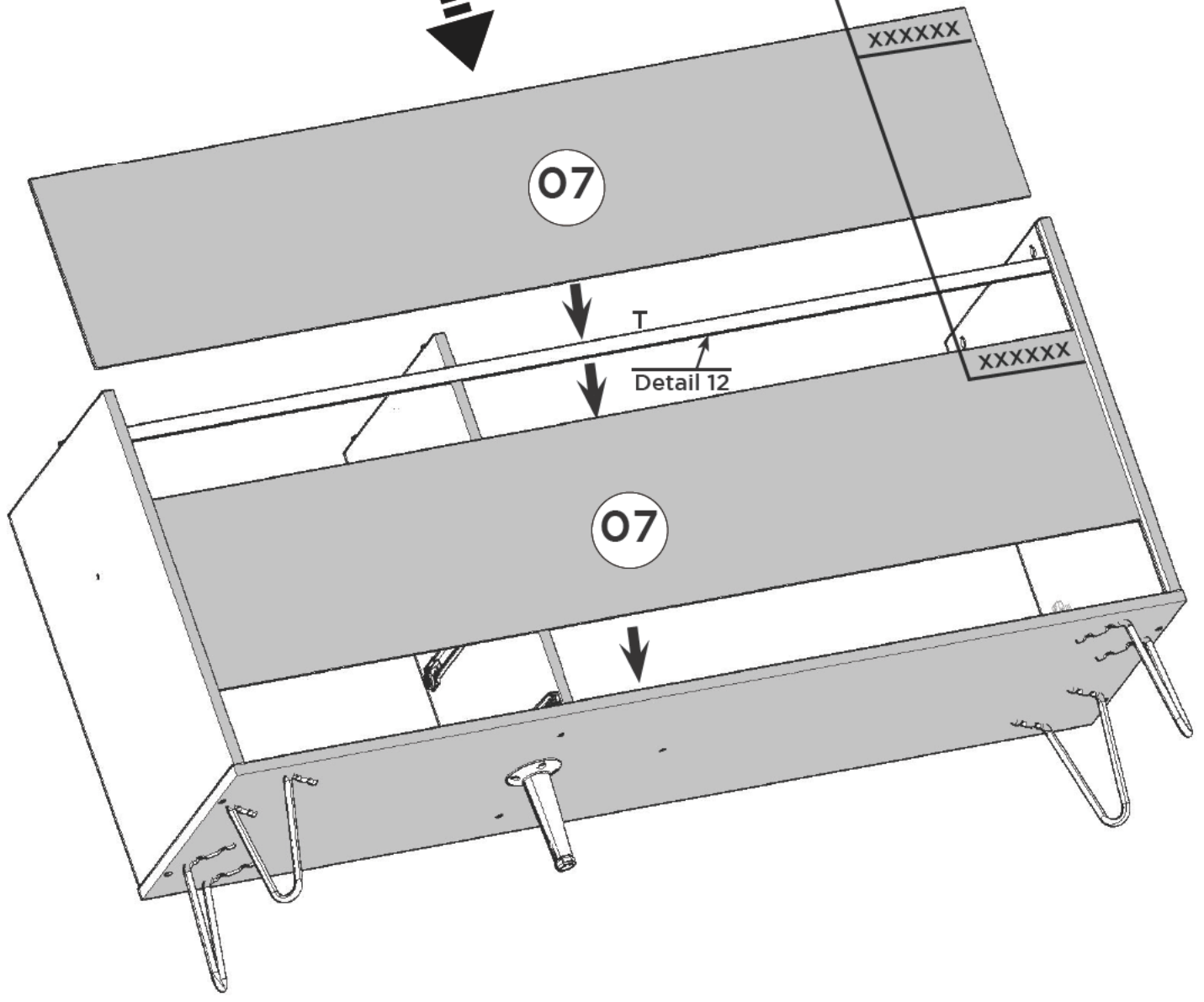


Detail 20

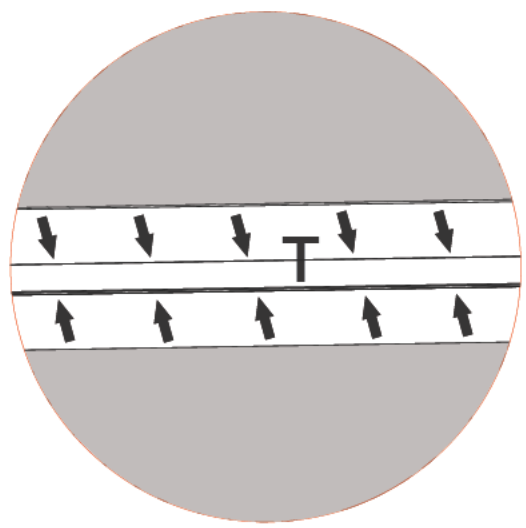


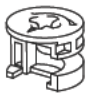






For your future reference
order number should be here

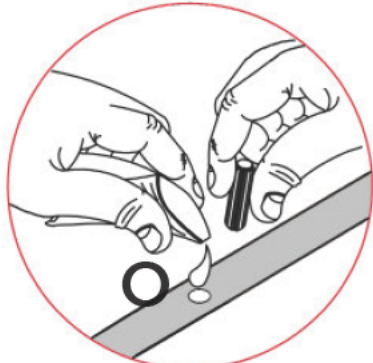


Detail 12

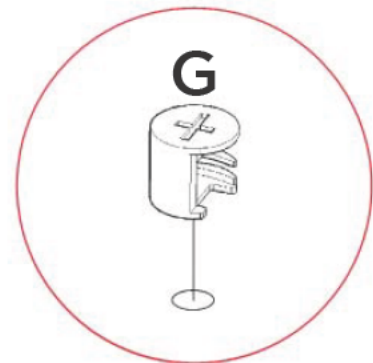


<p>G</p>  <p>05x Cam Nut Ø15mm</p>	<p>H</p>  <p>16x Flat Head Screw Ø3,0x16mm</p>	<p>I</p>  <p>16x Triangle support angle</p>	<p>O</p>  <p>16x Glue</p>	<p>P</p>  <p>05x Hole Plugs</p>
---	--	--	---	--

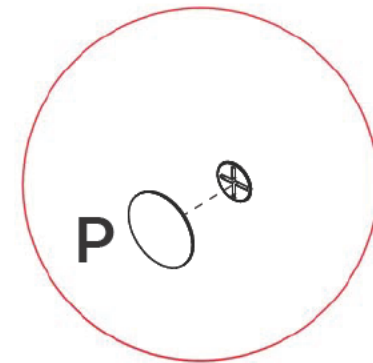
Detail 3



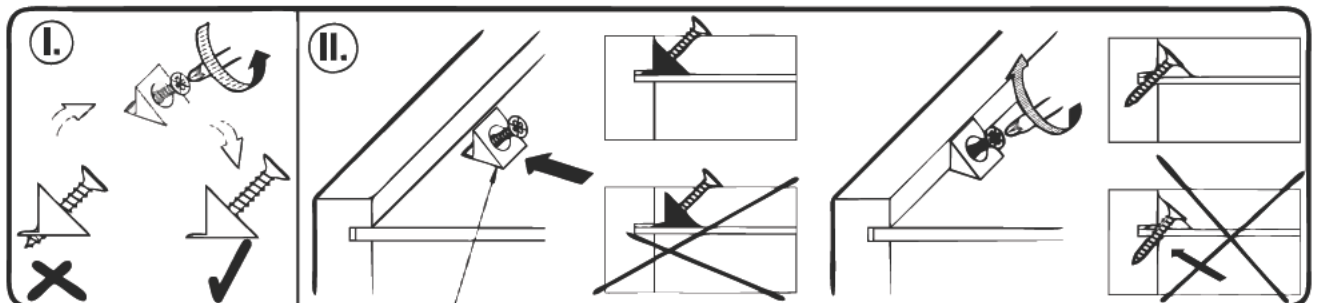
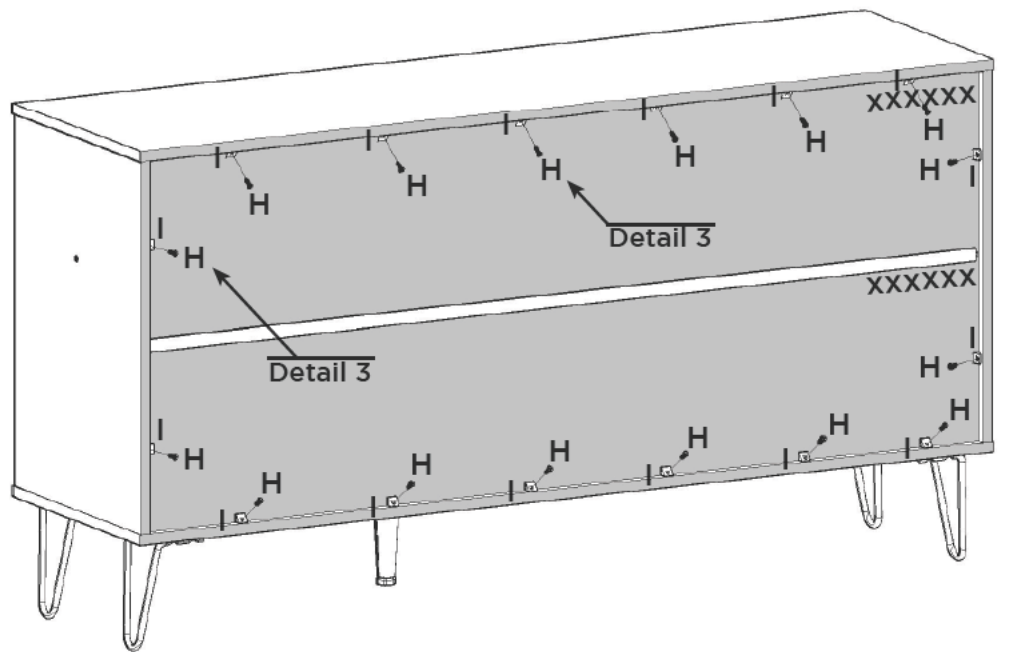
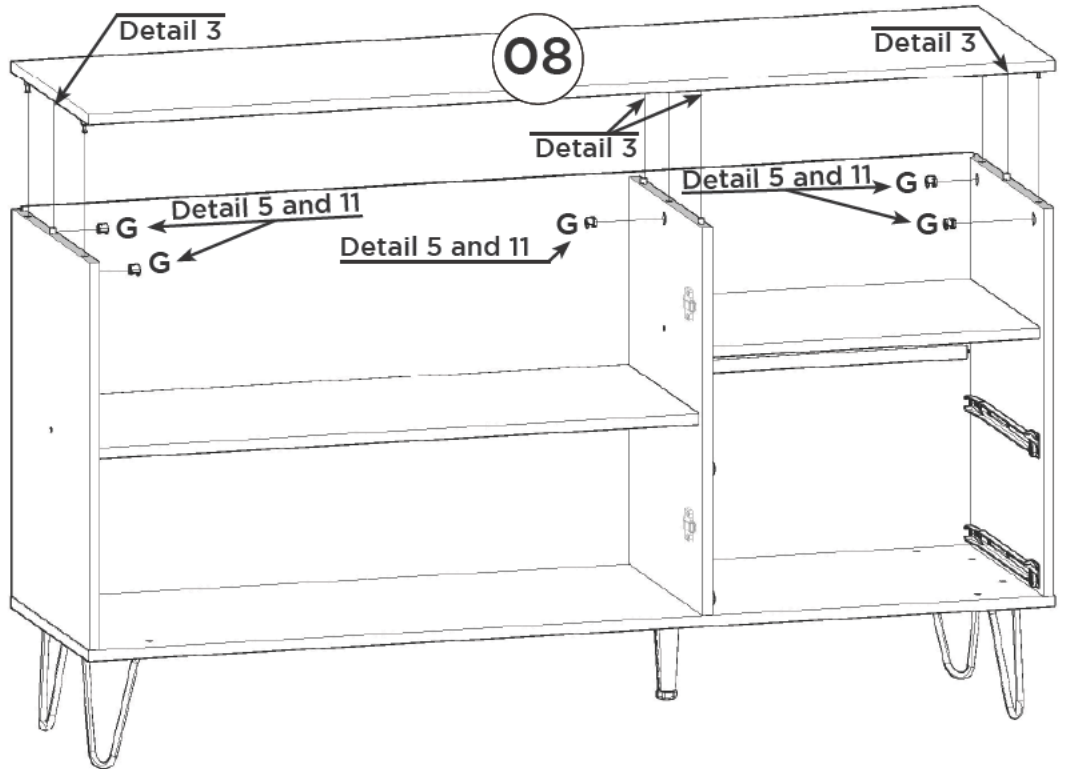
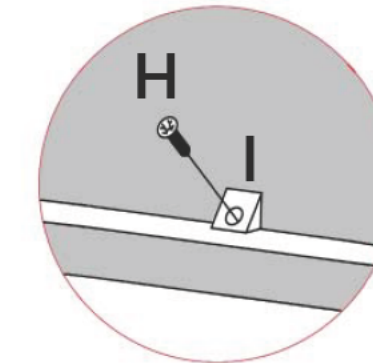
Detail 5



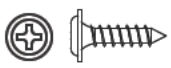
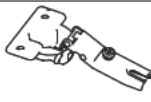
Detail 11

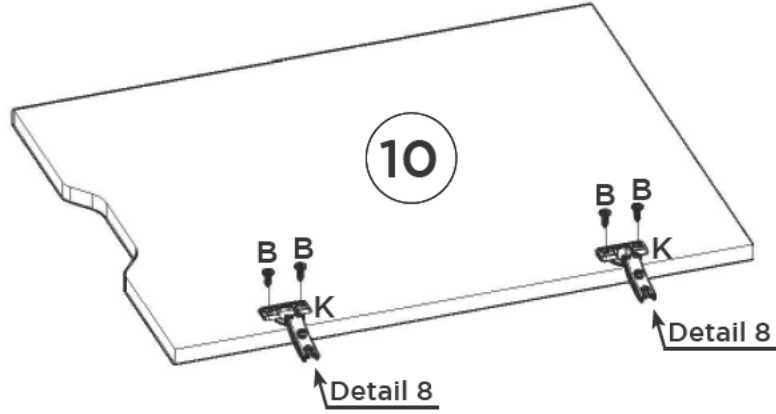
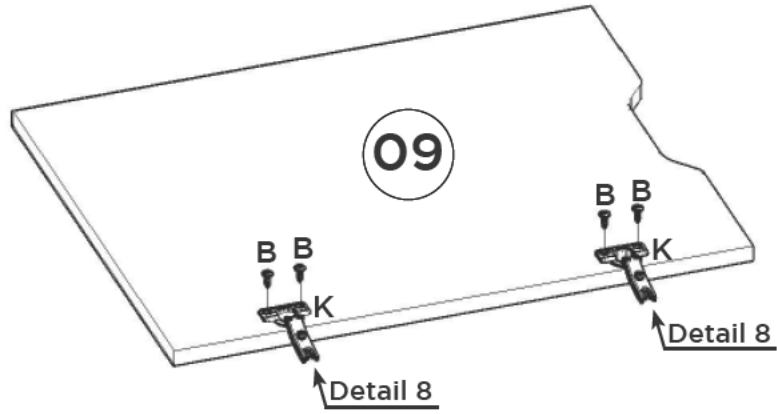


Detail 13

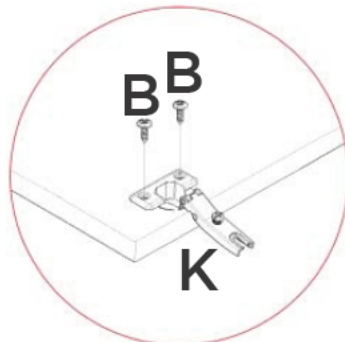


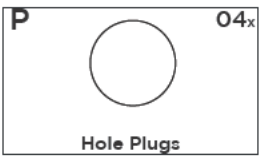
Pre-Assembly

B  Flan Head Screw Ø3,5x14mm	08x K  Hinge 04x
--	--

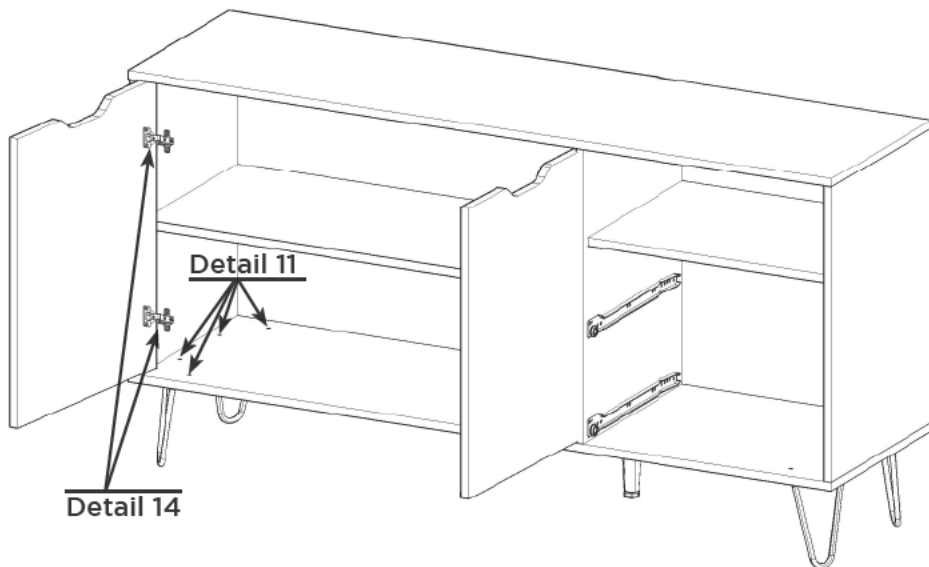
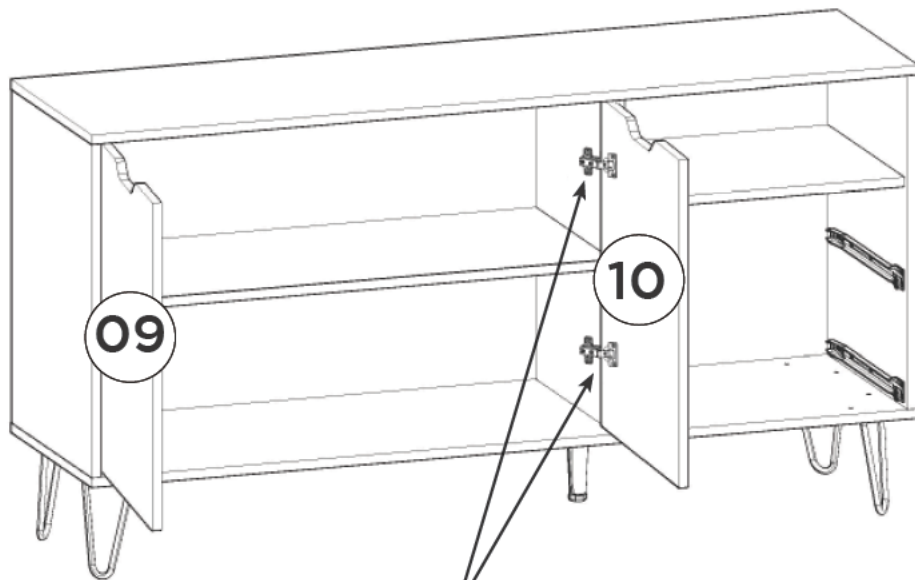
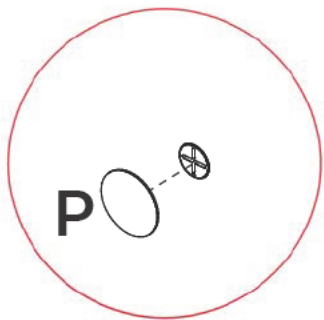


Detail 8

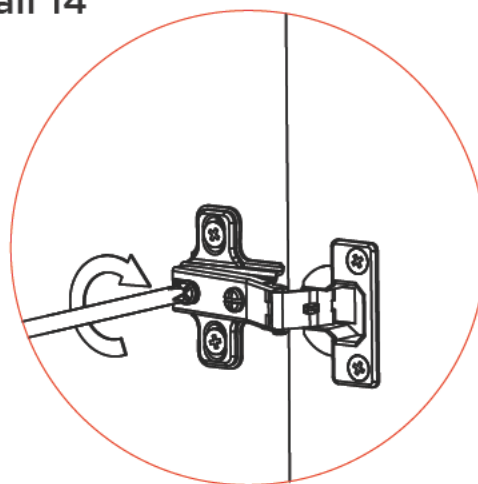
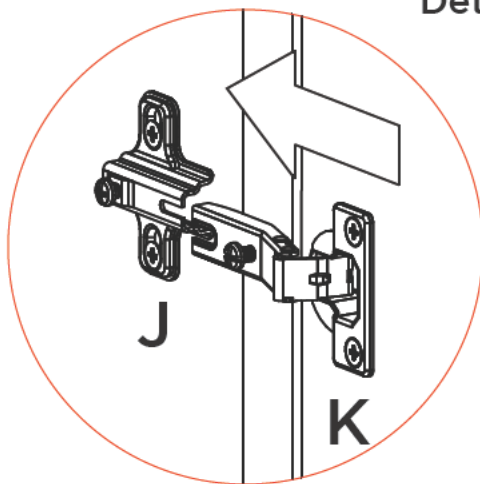




Detail 11

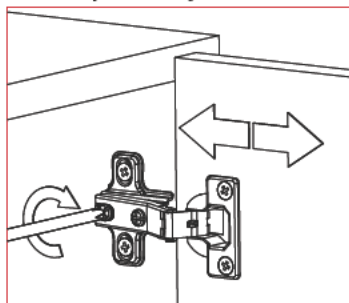


Detail 14

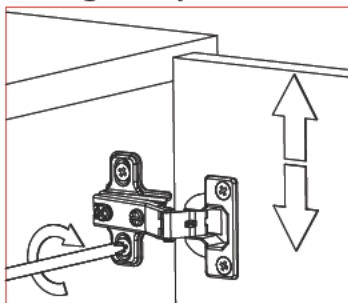


ADJUSTMENTS

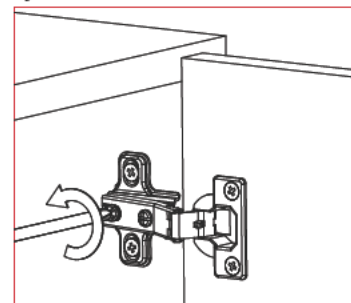
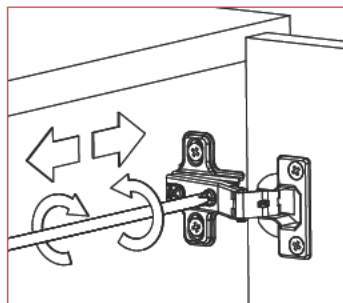
Depth Adjustment



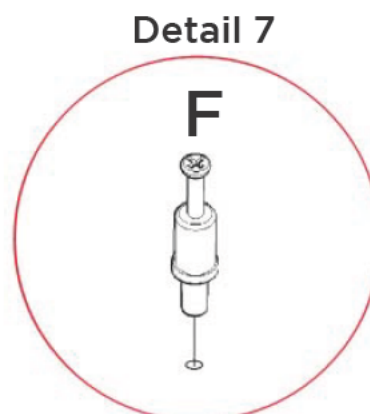
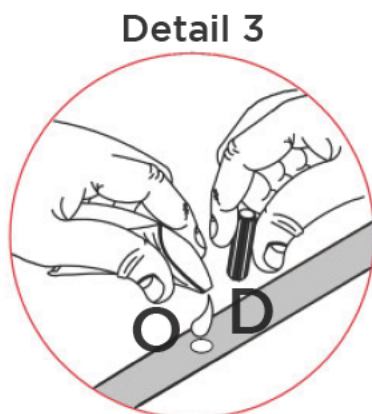
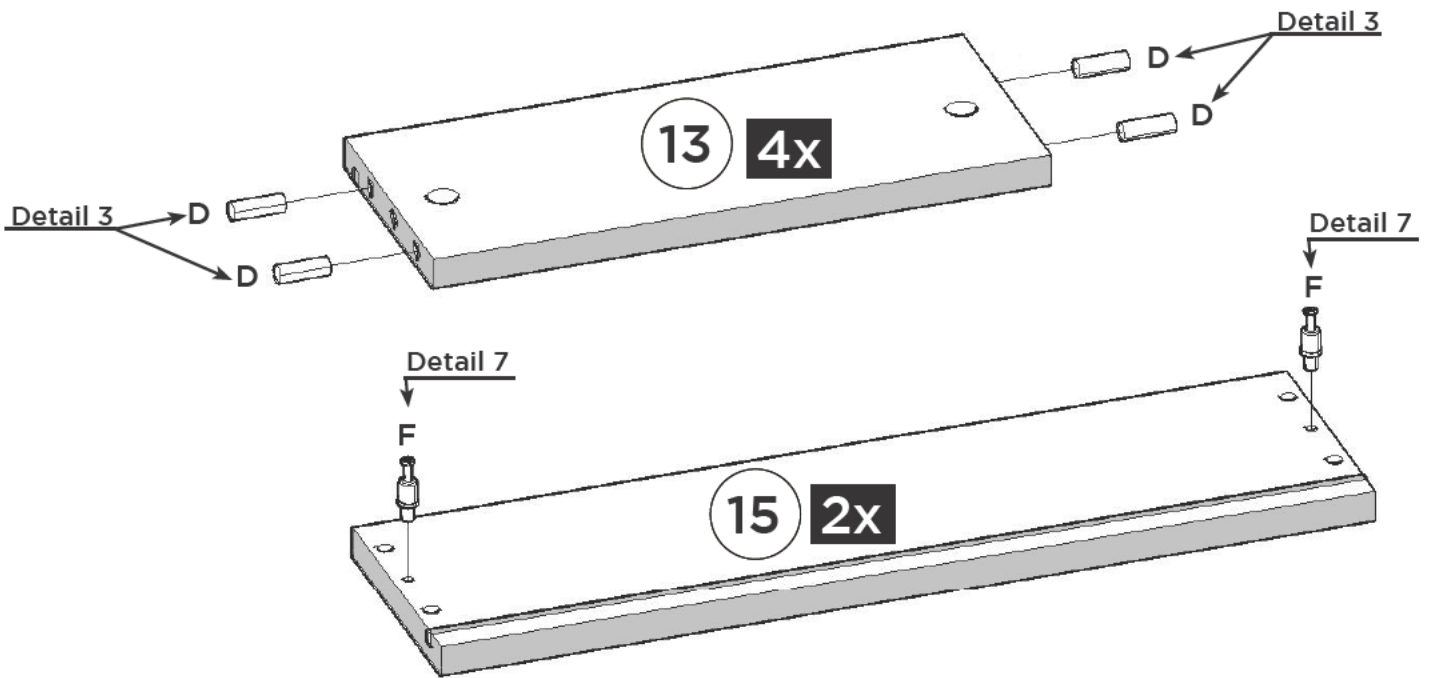
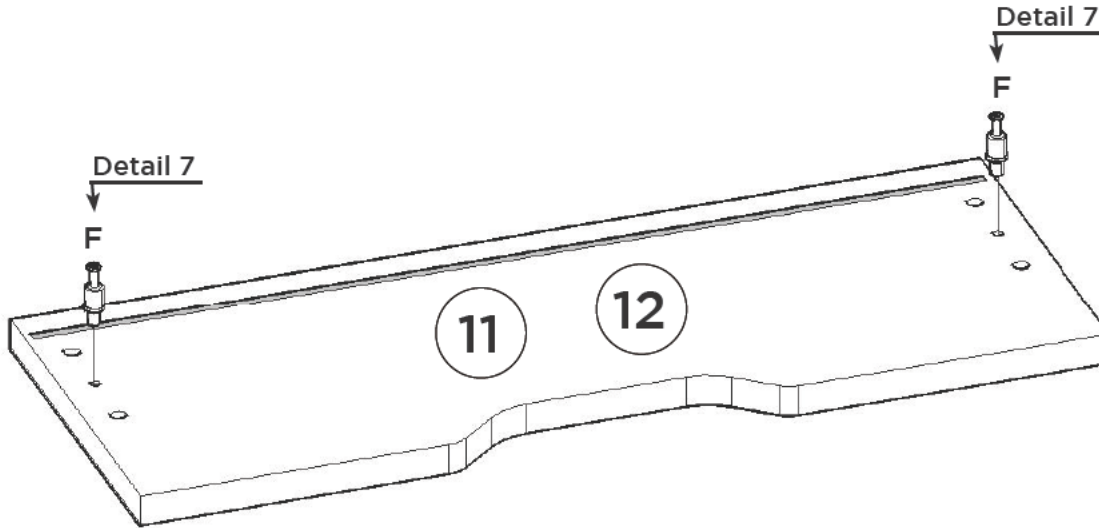
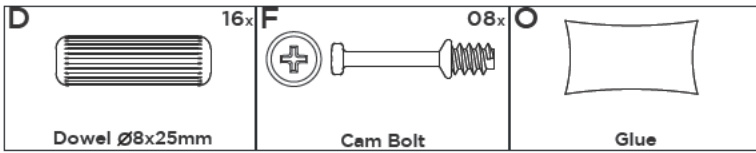
Height Adjustment

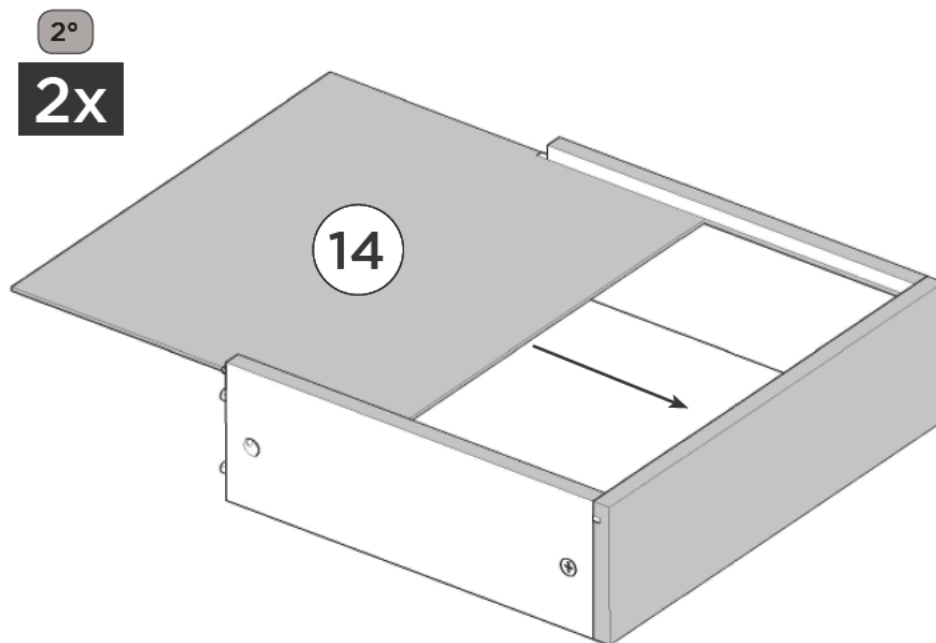
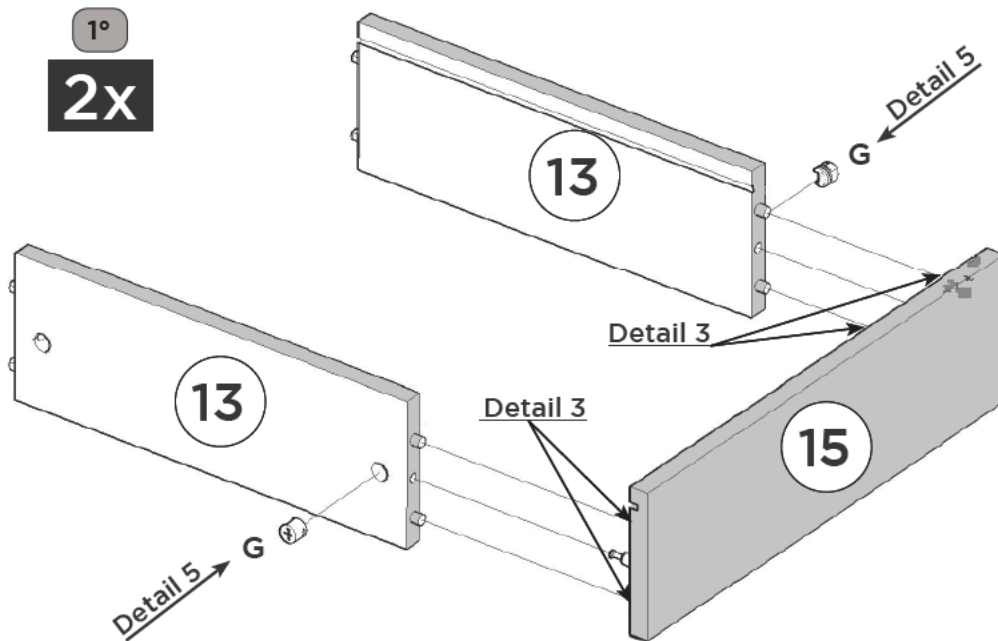
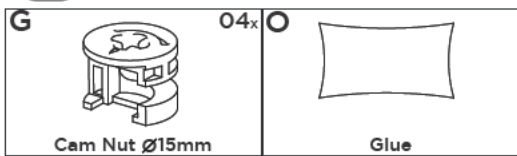


Internal Adjustment



Pre-Assembly

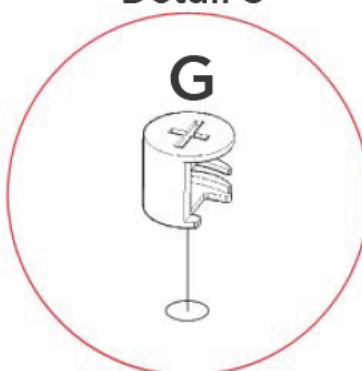






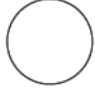


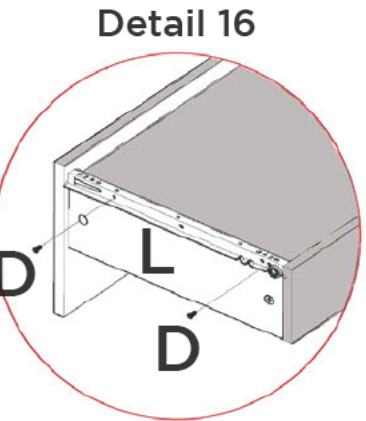
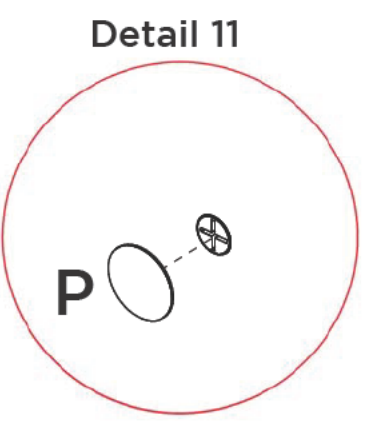
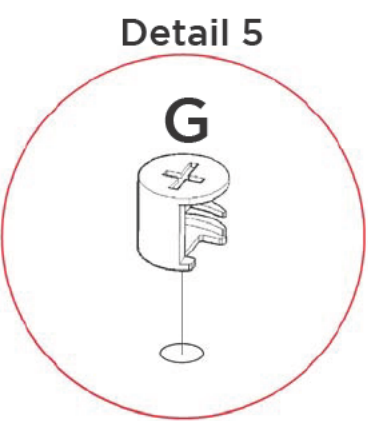
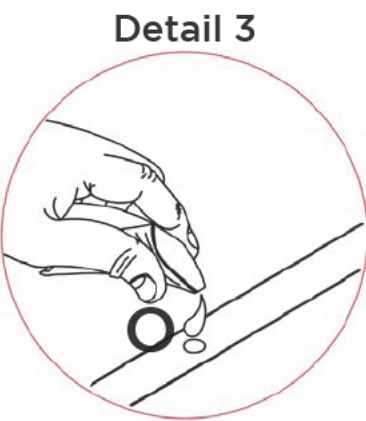
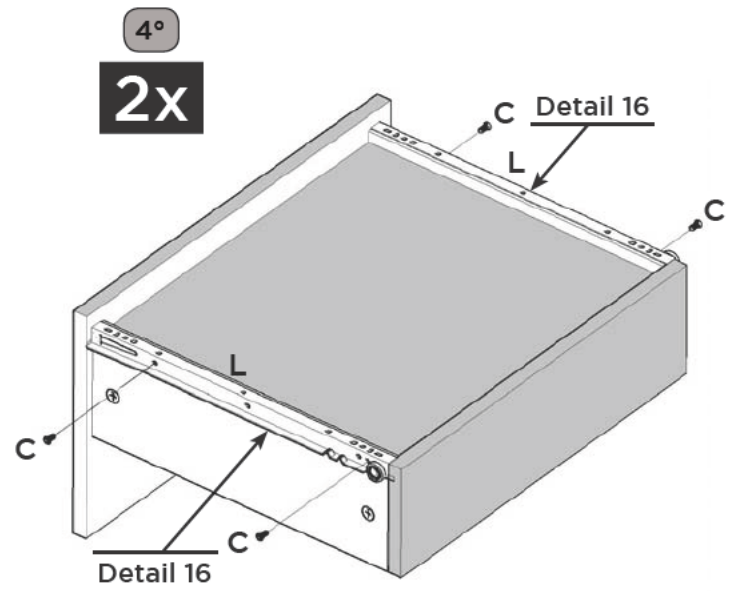
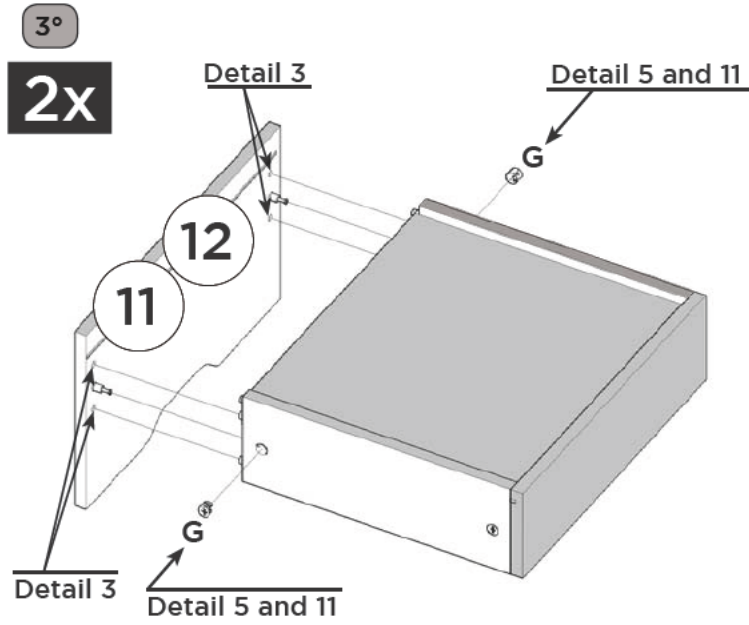
Detail 3

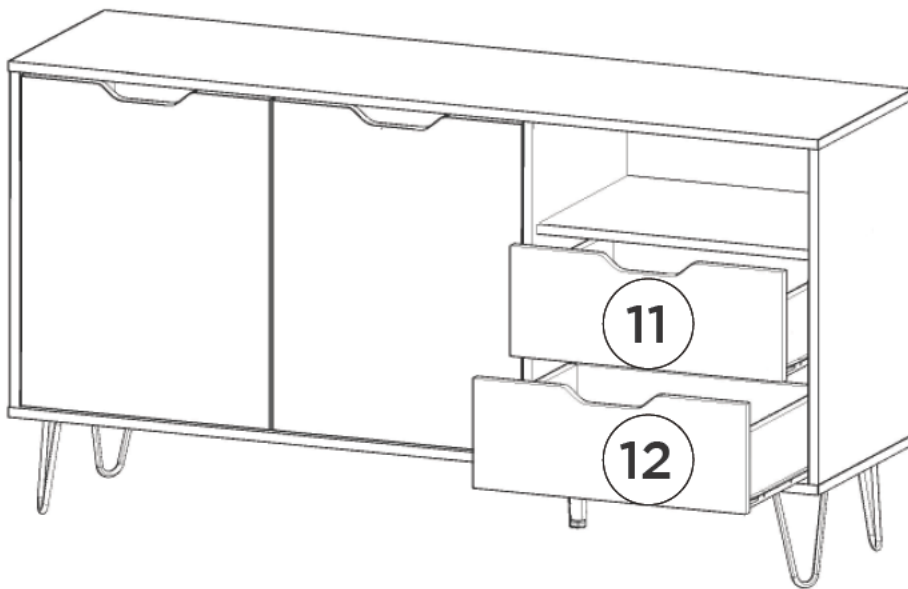


Detail 5



<p>C 08x</p>  <p>Flat Head Screw Ø3,5x10mm</p>	<p>G 04x</p>  <p>Cam Nut Ø15mm</p>	<p>L 04x</p>  <p>Drawer Runners</p>	<p>O 04x</p>  <p>Glue</p>	<p>P 04x</p>  <p>Hole Plugs</p>
--	--	--	---	---





WARNING

Serious or fatal injuries can occur from furniture tipping over. To prevent the furniture from tipping over we recommend that it is permanently fixed to the wall.

Wall fixings are not supplied with this product as different wall materials require different types of fixing devices.

Please make sure you use fixing suitable for the walls in your home.

