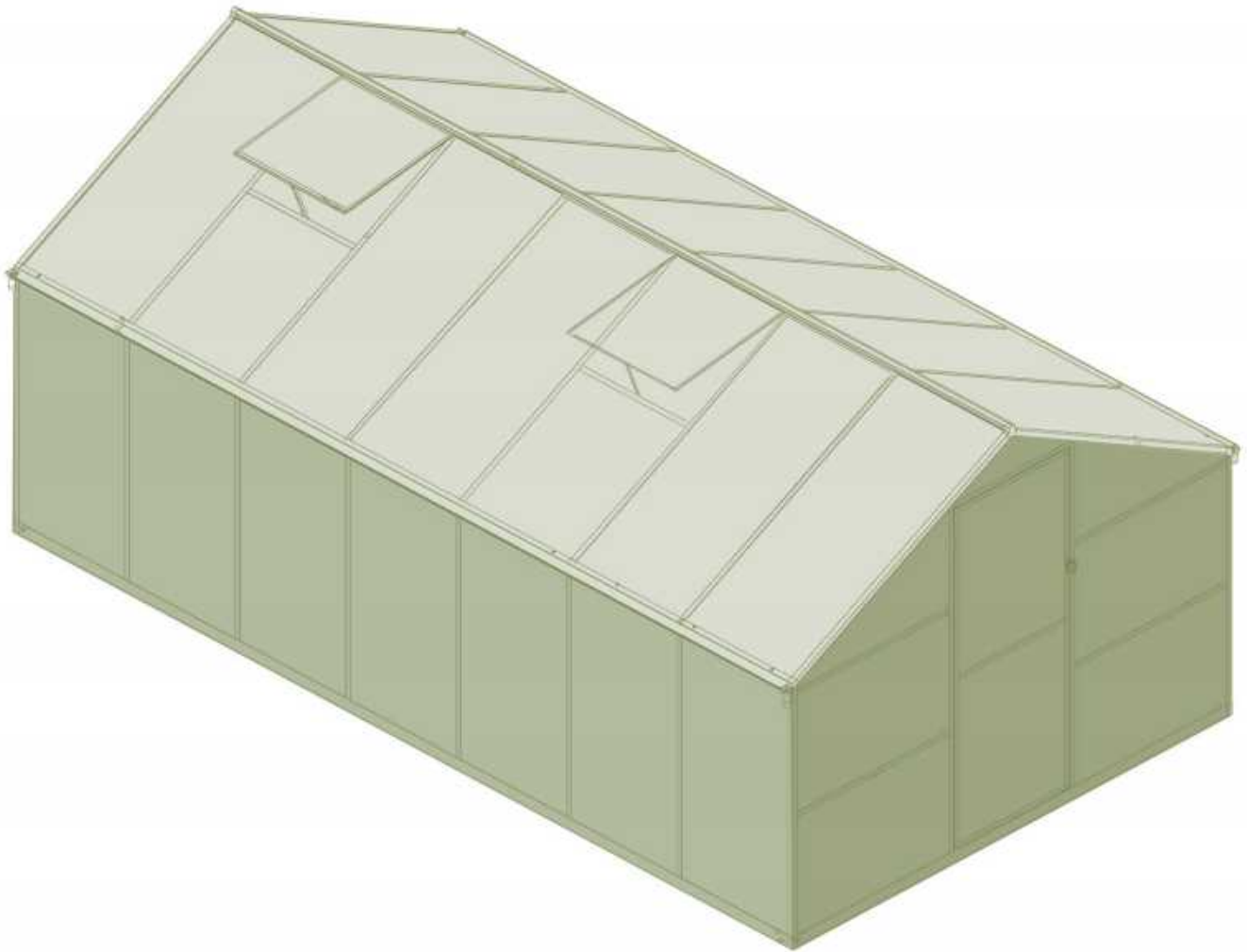


Aluminum Greenhouse 8x14FT

# ASSEMBLY INSTRUCTIONS



Please read all instructions carefully before assembly. It is best to familiarize yourself with the parts and collate the appropriate parts for each step.

If you encounter any problems during the assembly process, contact us anytime!



[support@sylviera.com](mailto:support@sylviera.com)

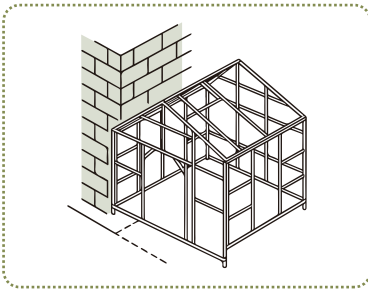
213-796-9388



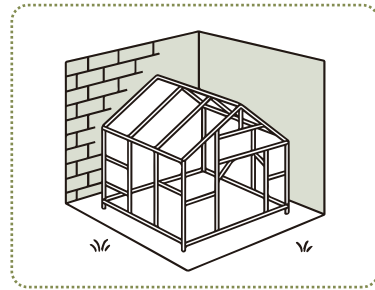


# Where to Put Your Outdoor House

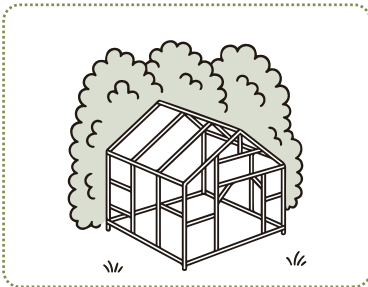
In order to ensure the safety of use and the convenience of subsequent maintenance, we recommend that you install this product in a covered environment and avoid choosing a completely open space. The following locations are recommended:



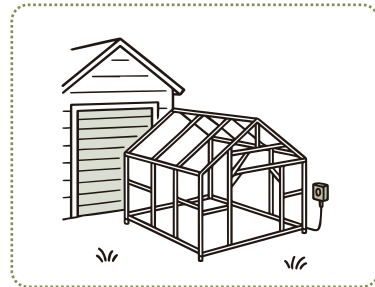
✓ **Close to the building facade:**  
For example, the walls of houses or warehouses can be used to improve stability.



✓ **Next to the fence or in the corner of the courtyard:** Provide proper shelter from strong winds.



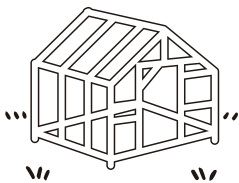
✓ **Behind a hedge or hedge:**  
Natural shading, both aesthetic and practical.



✓ **Next to the garage or shed:**  
Easy to connect to power or tools for easy access.



## Do not install this product on:



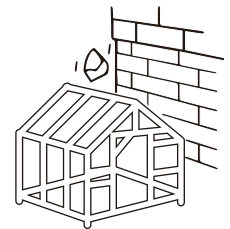
✗ **In the middle of the open meadow**



✗ **Strong winds, unsheltered areas**



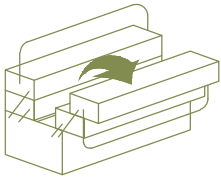
✗ **Steep slopes or poorly drained ground**



✗ **There may be a location for falling objects at high altitudes**

# 1. Aluminum Parts:

## Product Setup: What You Need



Toolbox



Hammer



Gloves



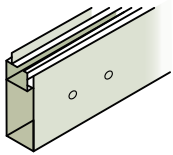
Power drill



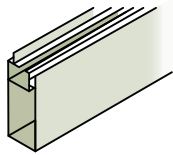
Tape Measure



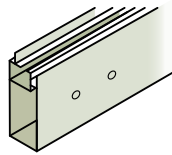
Bitbits



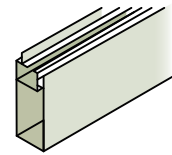
#1 A1-1  
x2



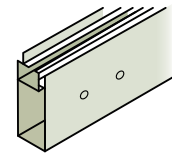
#2 A1-2  
x2



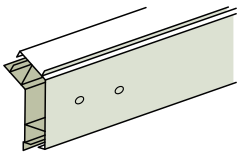
#3 A2-1  
x2



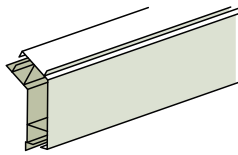
#4 A2-2  
x2



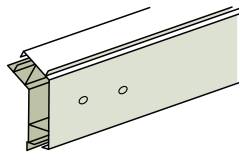
#5 A2-3  
x2



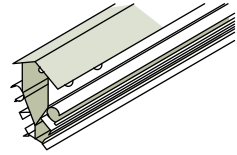
#6 A3-1  
x2



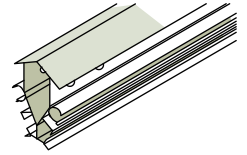
#7 A3-2  
x2



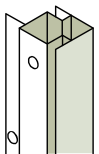
#8 A3-3  
x2



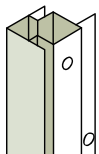
#9 A4-1  
x2



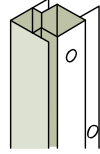
#11 A4-2  
x1



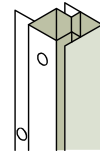
#11 A5-1  
x2



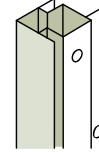
#12 A5-2  
x2



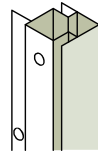
#13 A6-1  
x1



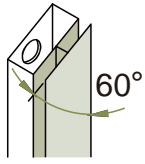
#14 A6-2  
x1



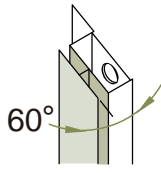
#14 A7-1  
x1



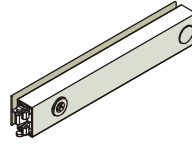
#15 A7-2  
x1



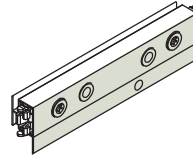
#16 A8-1  
x1



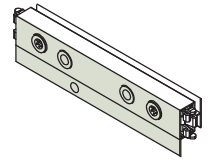
#17 A8-2  
x1



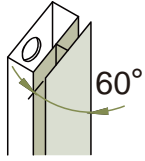
#18 A9  
x1



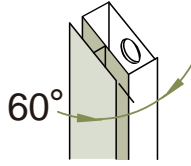
#19 A10-1  
x2



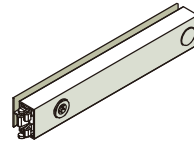
#20 A10-2  
x2



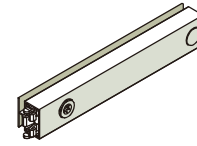
#21 A11-1  
x1



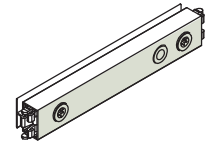
#22 A11-2  
x1



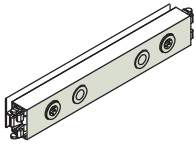
#23 A12  
x4



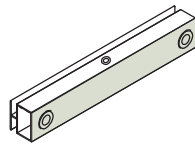
#24 A13  
x4



#25 A15  
x12



#26 A16  
x8



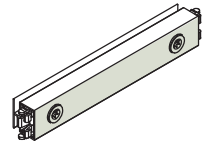
#27 A17  
x2



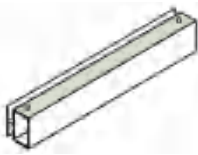
#28 A18-1  
x1



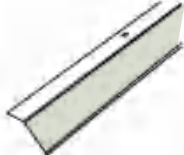
#29 A18-2  
x1



#30 A19  
x1



#31 A20  
x2



#32 A21  
x4



#33 A21-1  
x2



#34 A23  
x8



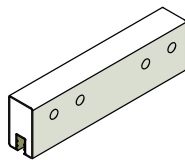
#35 A25-1  
x6



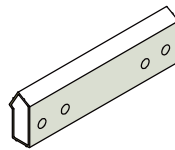
#36 A25-2  
x12



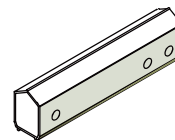
#37 A25-3  
x4



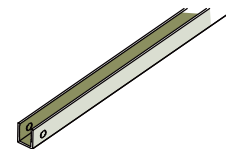
#38 A26  
x6



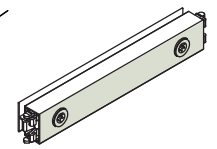
#39 A27  
x4



#40 A28  
x2



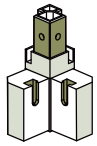
#41 A30-2  
x2



#41 A31  
x1



# Plastic Parts:



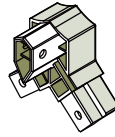
#1 H1  
x4



#2 H2-1A  
x1



#3 H2-1B  
x1



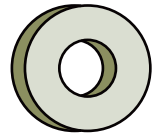
#4 H3-1  
x2



#5 H4  
x4

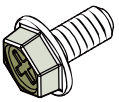


#6 H5  
x2



#7 C5  
x4

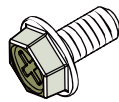
# Hardware:



#1 H6  
x34  
SIZE:M6x30



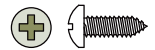
#2 H7  
x1



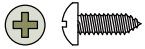
#3 H8  
x96  
SIZE:M6x12



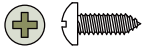
#4 H9  
x50  
SIZE:M6



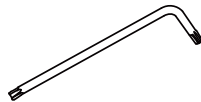
#5 H11  
x28  
SIZE:ST4x10



#6 H12  
x4  
SIZE:ST5x10



#7 H13  
x16  
SIZE:ST5x16



#8 H14  
x1



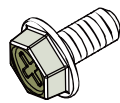
#9 H15  
x1



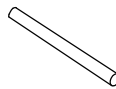
#10 H16  
x2



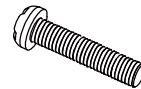
#11 H17  
x4



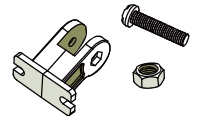
#12 H18  
x20  
SIZE:M6x20



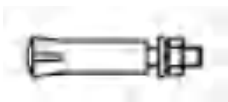
#13 H19  
x4



#14 H20  
x2  
SIZE:M4x38



#15 A30-1



#16 F8  
x8



#17 F9  
x8



#18 C1  
x4



#19 C2  
x2



#20 C3-1A  
x1



#21 C3-1B  
x1

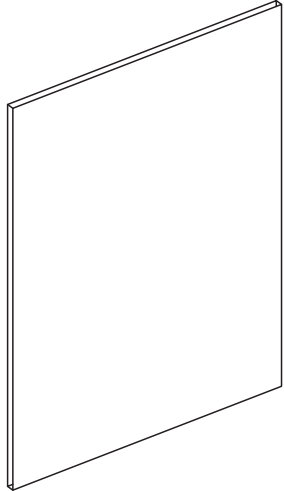
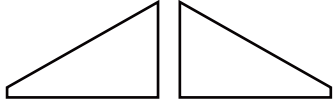
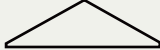
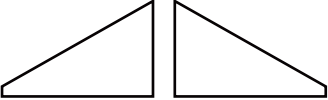
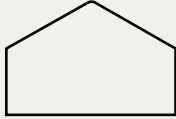



#22 C6  
x12



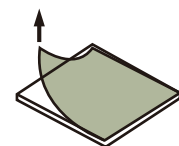
#23 C7  
x4

**Twin PC Board:**

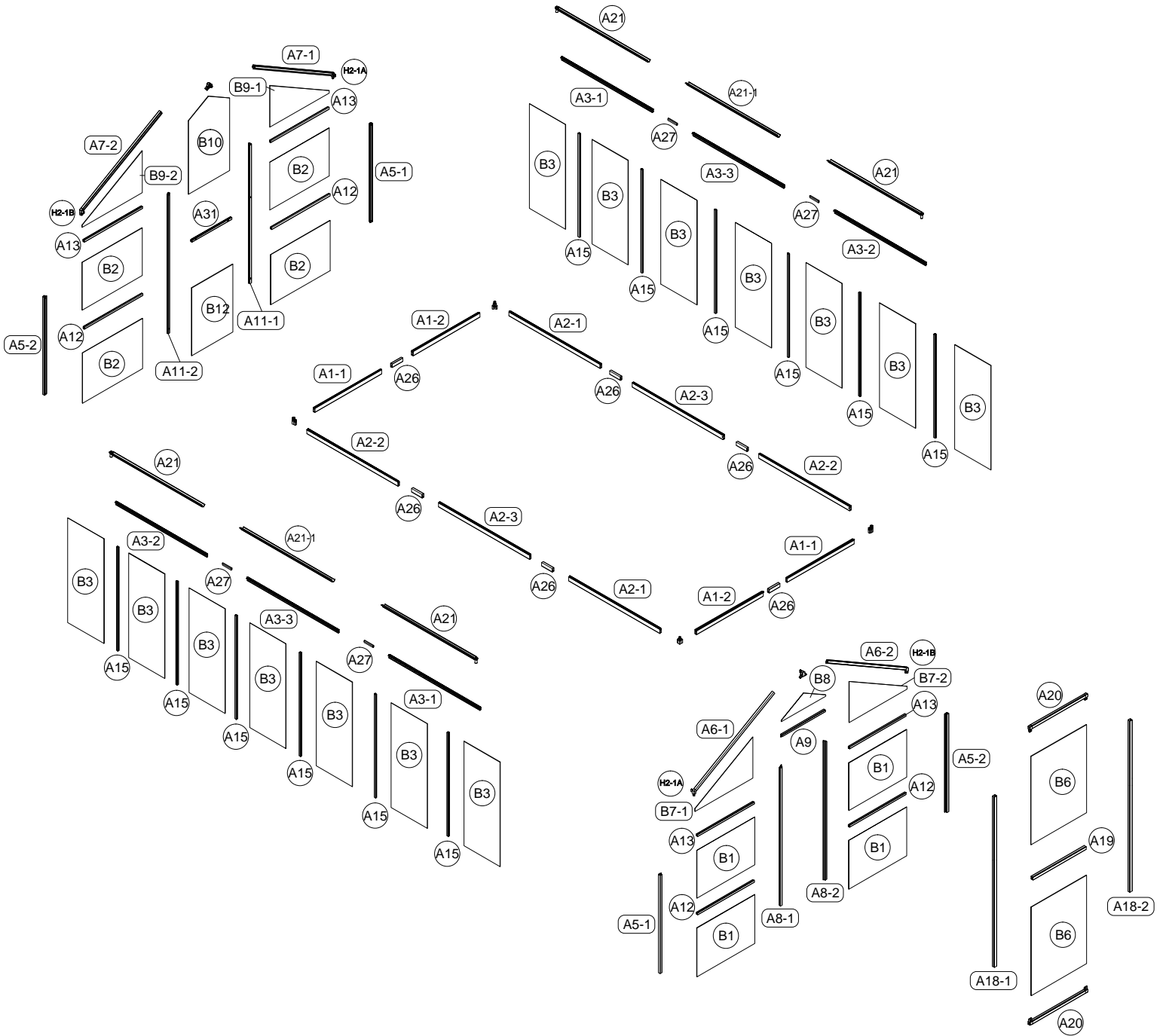
No.	Picture	Qty.		
<b>B</b>		B1	x4	
		B2	x4	
		B3	x14	
		B4	x12	
		B5	x2	
		B6	x2	
		B12	x1	
		B7-1 B7-2		x1
		B8		x1
		B9-1 B9-2		x1
		B10		x1
		B6		x2

**Note: Film on both sides to be peeled off before installation.**

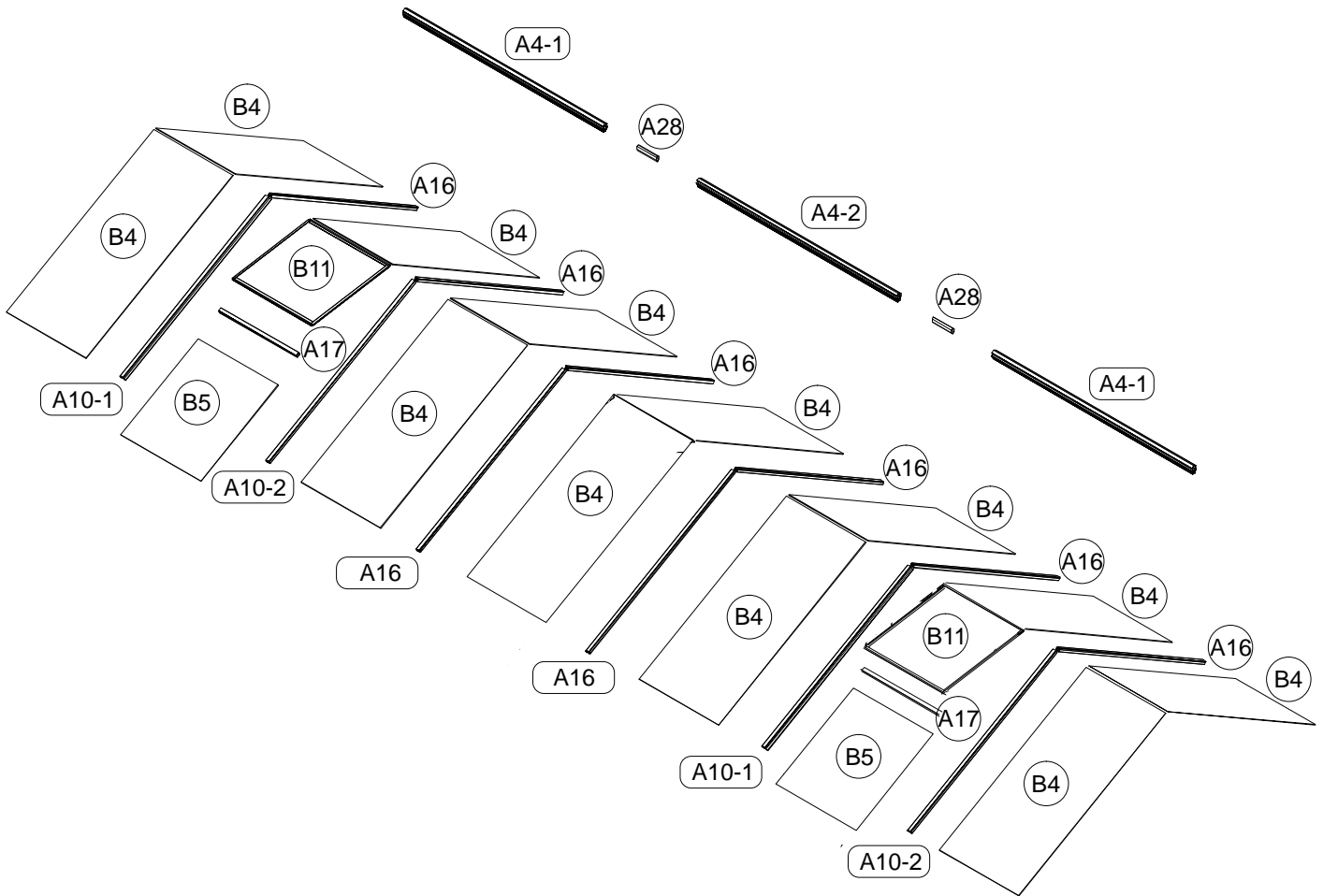
The white film faces outwards if application



# 2. Wall Section



# 3. Roof Section





## Please read the following carefully before assembling

Precautions for assembling the PC board:

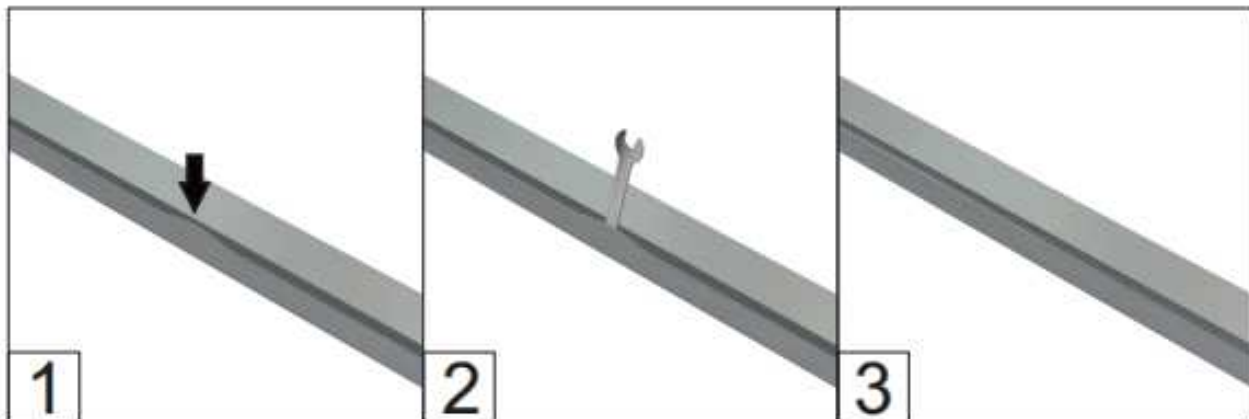
1. Before assembly, it is necessary to remove the film on both sides of the PC board;



2. It is recommended that silicone sealant can be applied to the edges of the PC board when installing it to enhance the overall firmness.

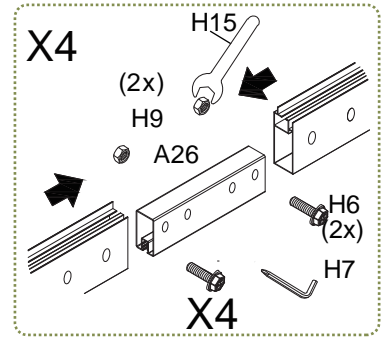
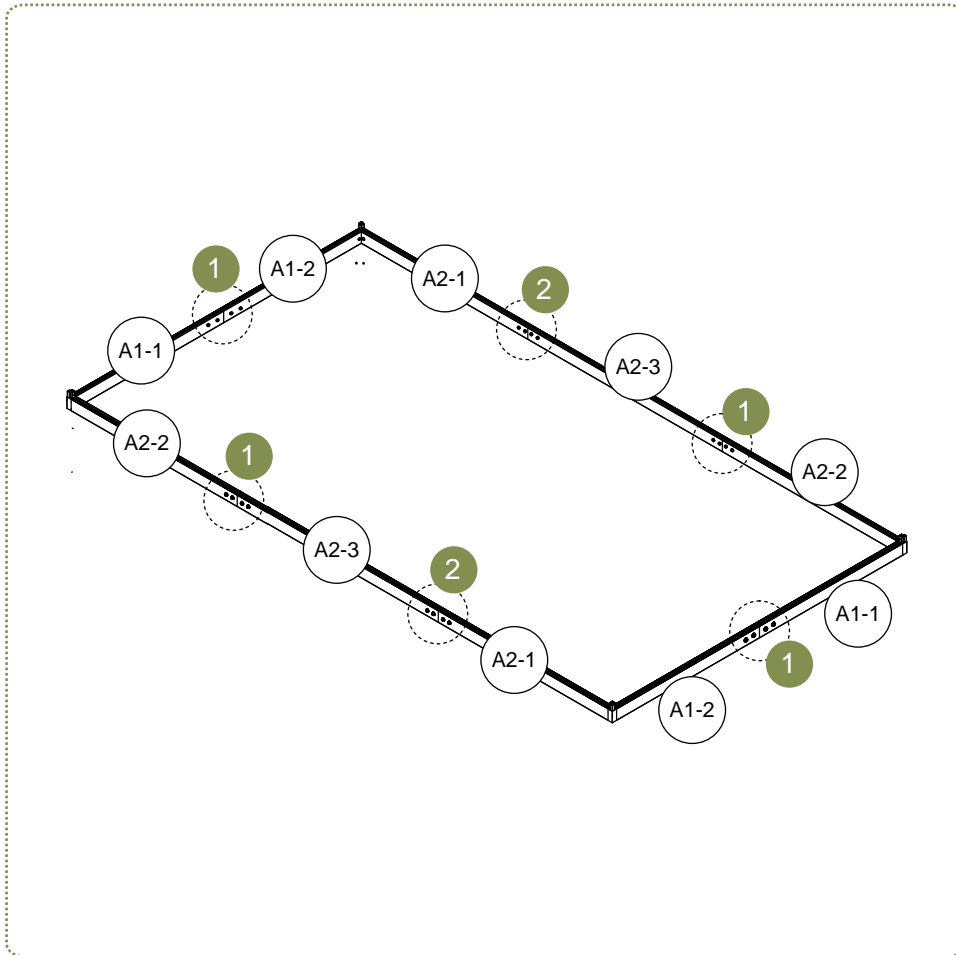
3. When installing the C7, pay attention: C7 Please install the installation manual, if it is a cement floor, fix it with expansion screw F8; The muddy ground is fixed with ground nail F9.

**Warning: Do not install in windy weather!**

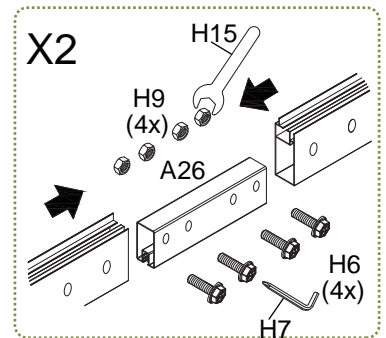


If the aluminum part curved as below picture, please use the wrench to restore it.

# STEP 1 Installation of Ground Beams

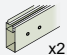
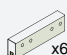
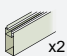

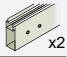

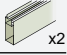
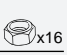
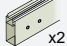


**1.** Only the first and fourth holes of A26 are used to fix the ground beam, and the middle two holes are used to fix C7

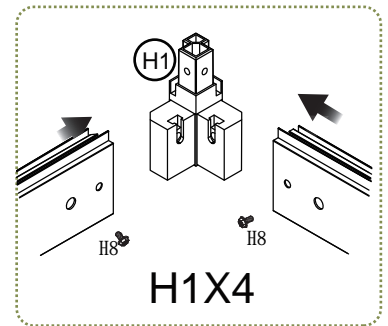
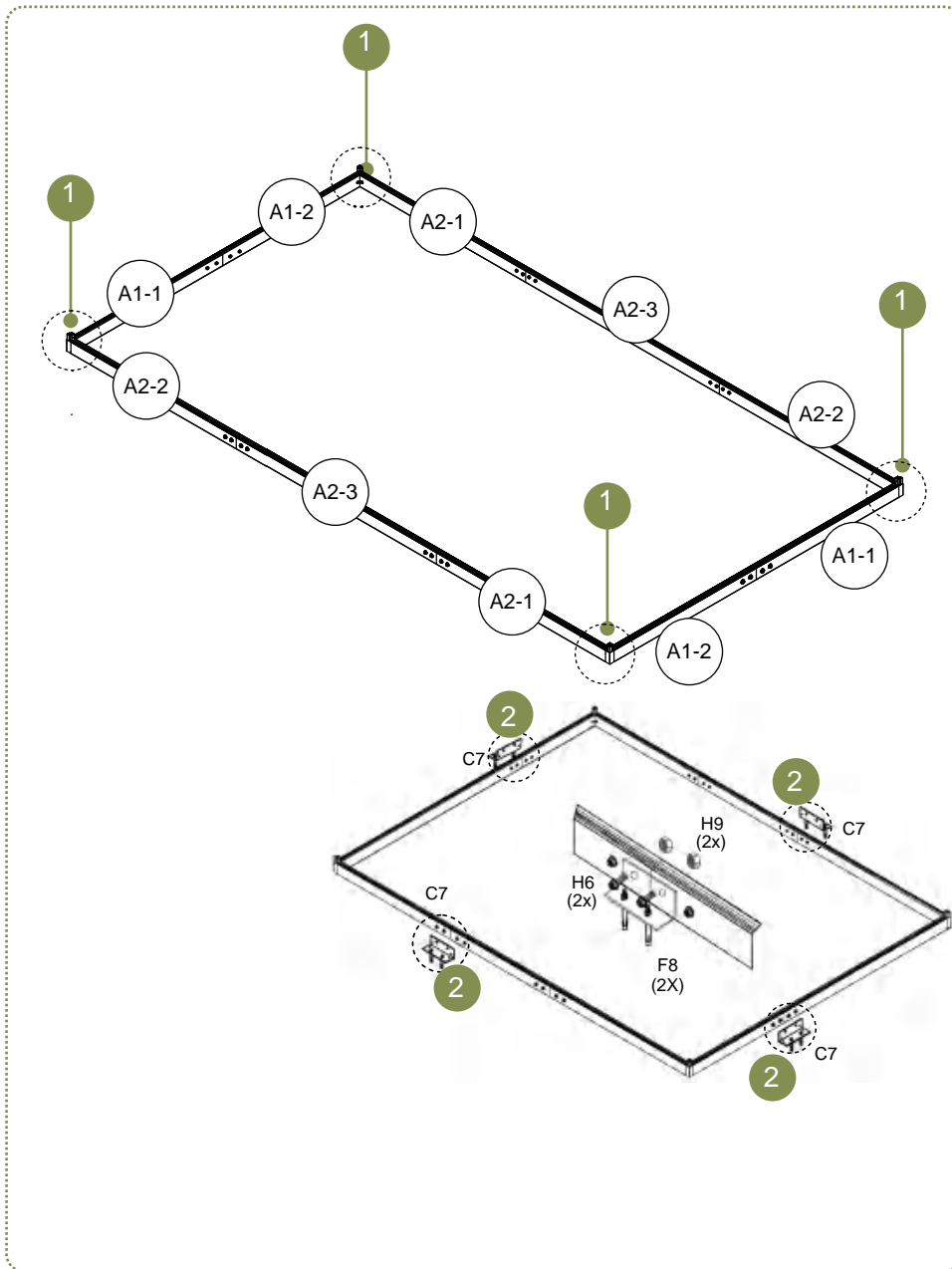


**2.** Connect A2-1 and A2-3 with A26, and secure them with 4 H6 screw

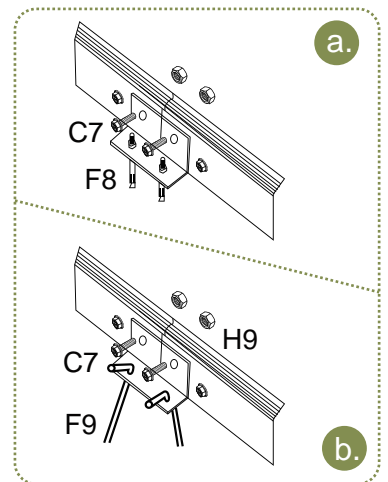
## List:

<b>1</b> A1-1	 x2	<b>6</b> A26	 x6
<b>2</b> A1-2	 x2	<b>7</b> C7	 x4
<b>3</b> A2-1	 x2	<b>8</b> M6x30	 x16
<b>4</b> A2-2	 x2	<b>9</b> M6	 x16
<b>5</b> A2-3	 x2		

# STEP 1 Installation of Ground Beams



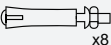



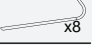

1. H1 is assembled as shown in the picture



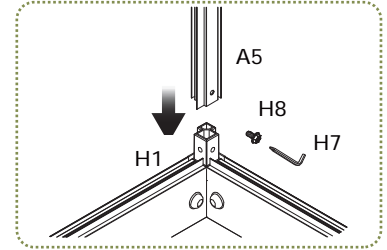
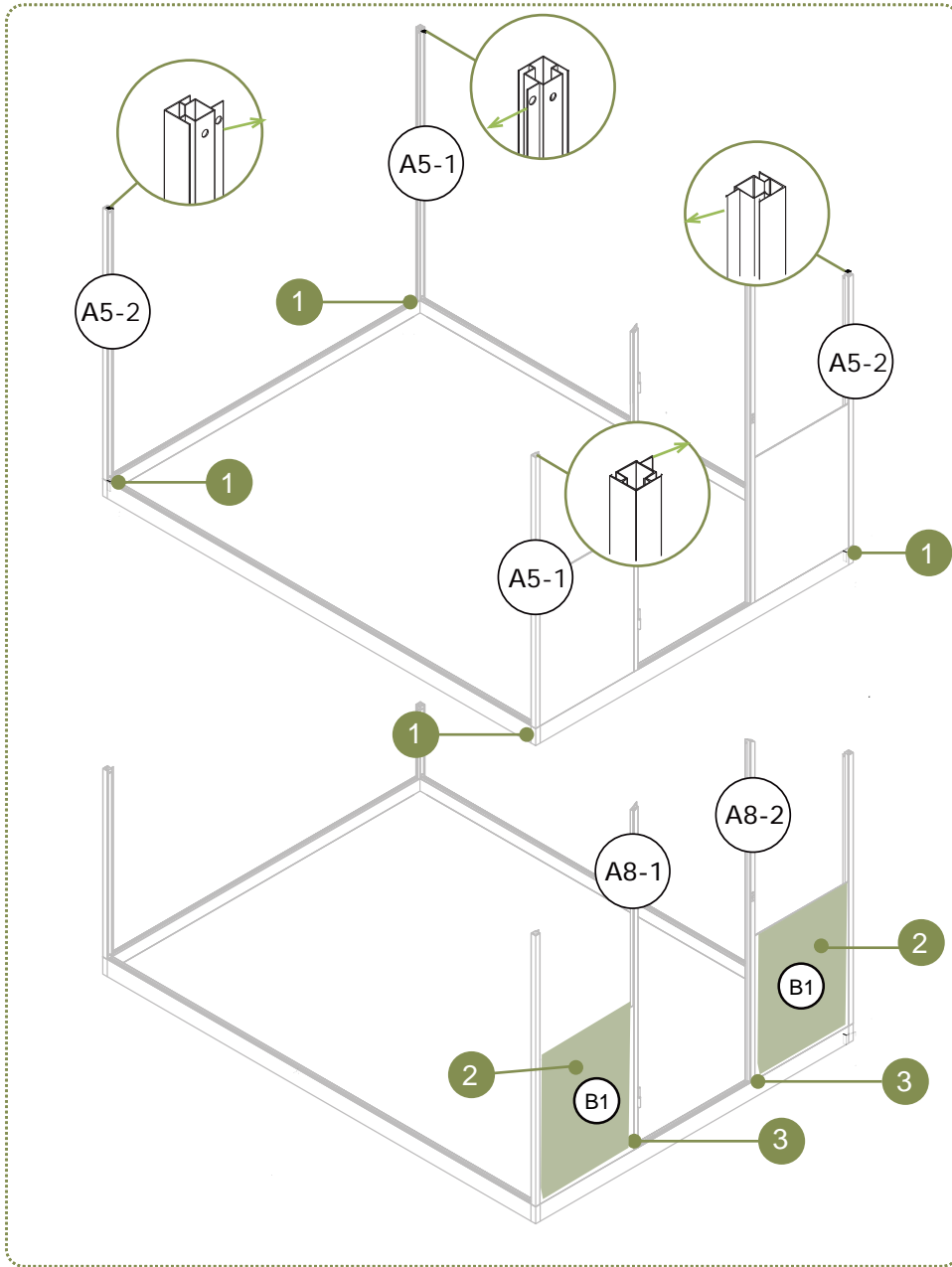
2. When installing C7, please note that if the greenhouse is assembled on acement floor, use expansion screw F8 to fix C7, as shown in Figure "a"; If the greenhouse is assembled on the mud floor, use nail F9 to fix C7, as shown in Figure "b"



## List:

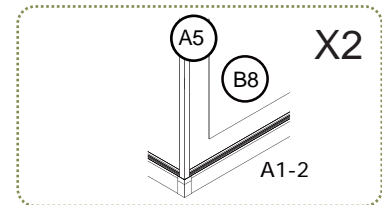
- |            |  |      |  |
|------------|--|------|--|
| 1 F8       |  x8 | 6 H4 |  x4 |
| 2 H6 M6x30 |  x8 |      |  |
| 3 H8 M6x12 |  x8 |      |  |
| 4 F9       |  x8 |      |  |
| 5 H9 M6    |  x8 |      |  |

# STEP 2 Installation of the Columns & Door Frames

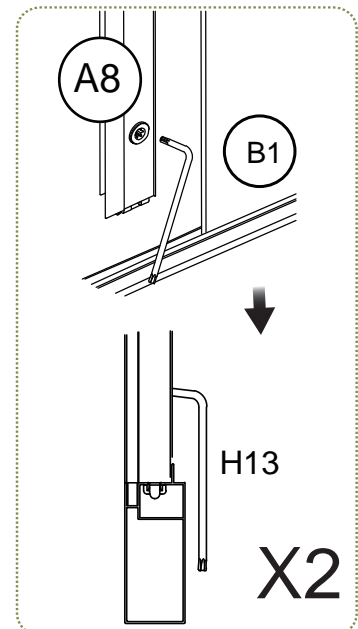


1. Please note the A5 orientation

A5 installation video









2. The B1 panel needs to be accurately snapped into the slot

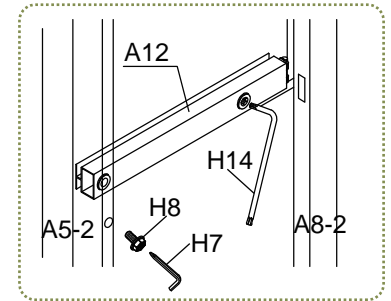
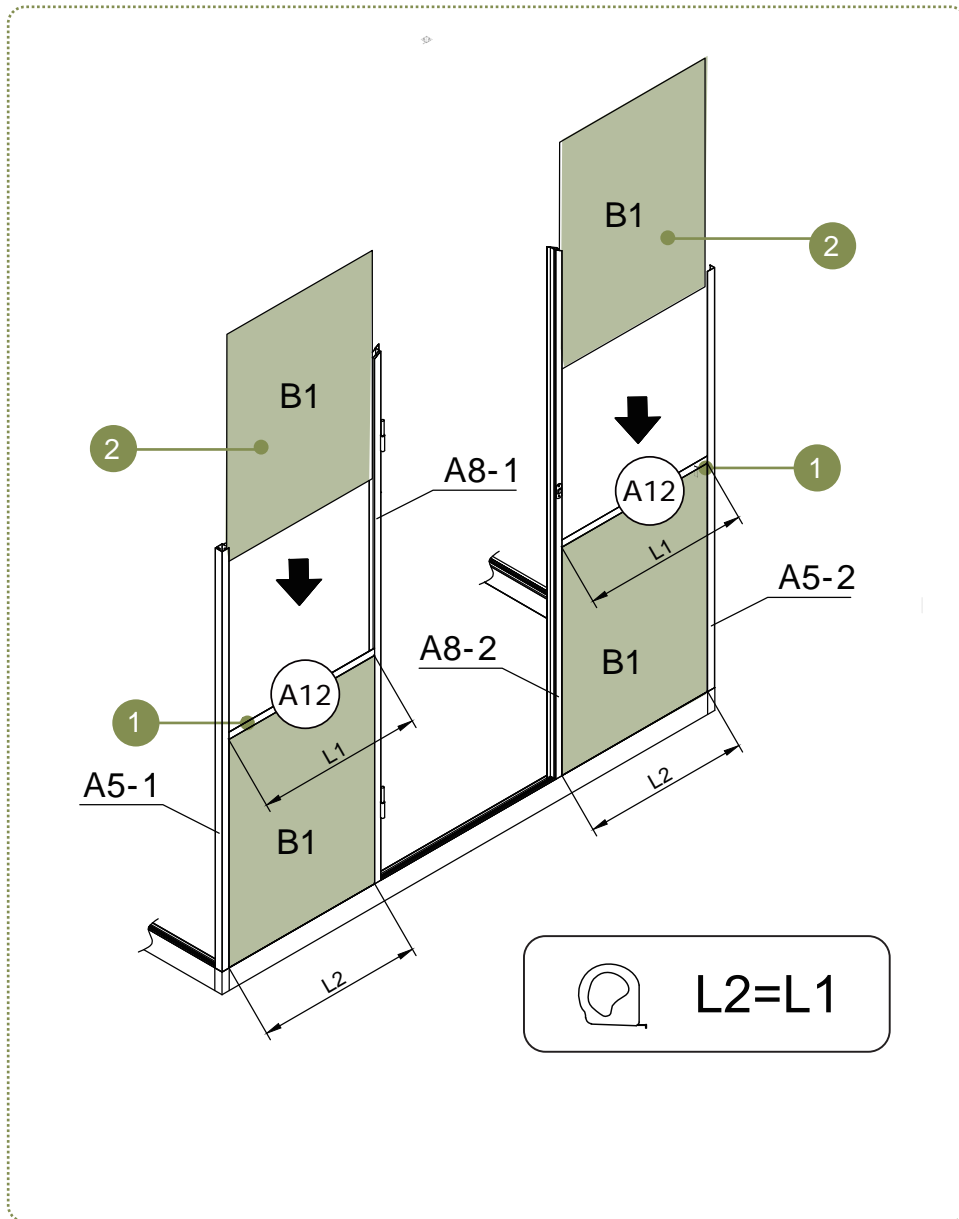


3. Snap A8 into the A1 slot of the ground beam, and snap the B1 into the slot, and tighten the lock

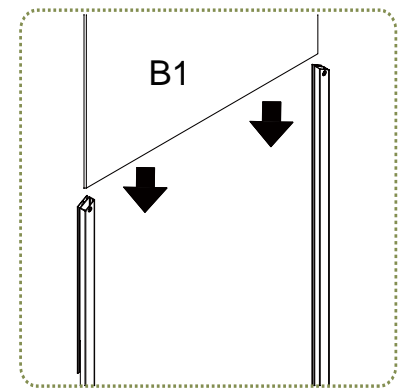
**List:**

- 1 A5-1  x2
- 2 A5-2  x2
- 3 A8-1  48° x1
- 4 A8-2  48° x1
- 5 H8 M6X12  x4
- 6 B1  x2

# STEP 3 Installation of A12 and the Front Panels



1. Install H12, securing on end to A5 with H8 screws, and connect the other end to A8, then tighten the lock.



2. Slide the B1 sunboard along the A5 and A8 slot to the bottom and snap it into the A1 slot.

## List:

1 A12 x2



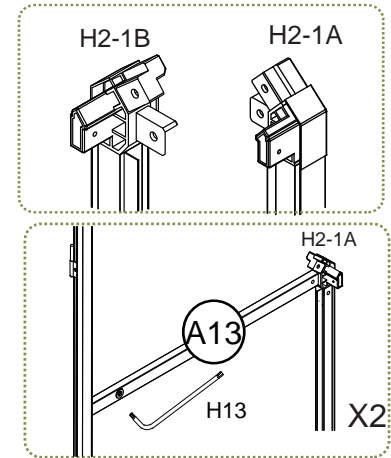
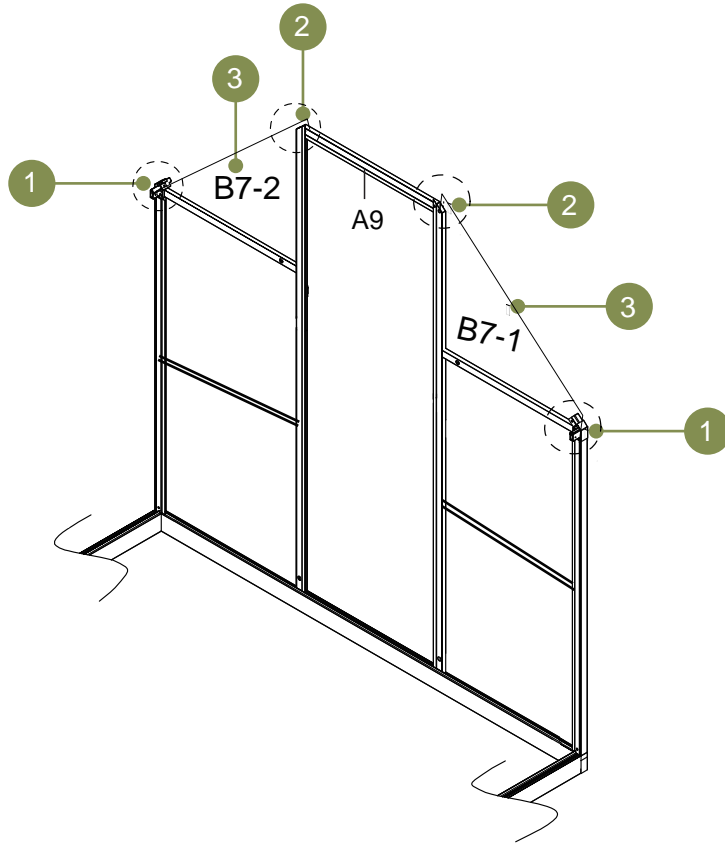
2 H8 M6X12 x2



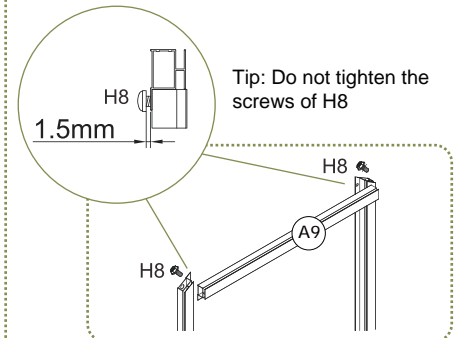
3 B1 x2



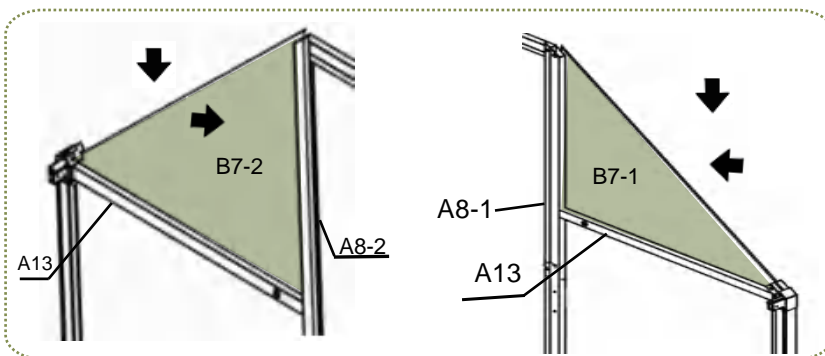
# STEP 4 Installation of A13, A9 and the Front Panels



**1** First, insert H2-1A/B into A5, then insert one end of A13 into H2-A/B and secure the other end to A8 (Do not fix the screws here first; fix them when installing C3.)



**2** Install the A9 with H8 screws

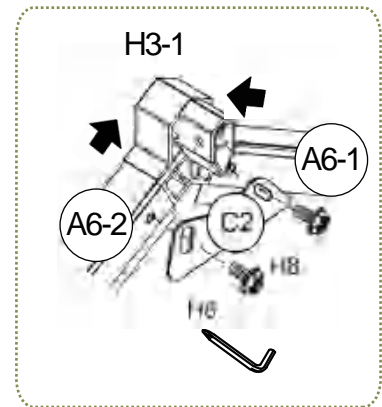
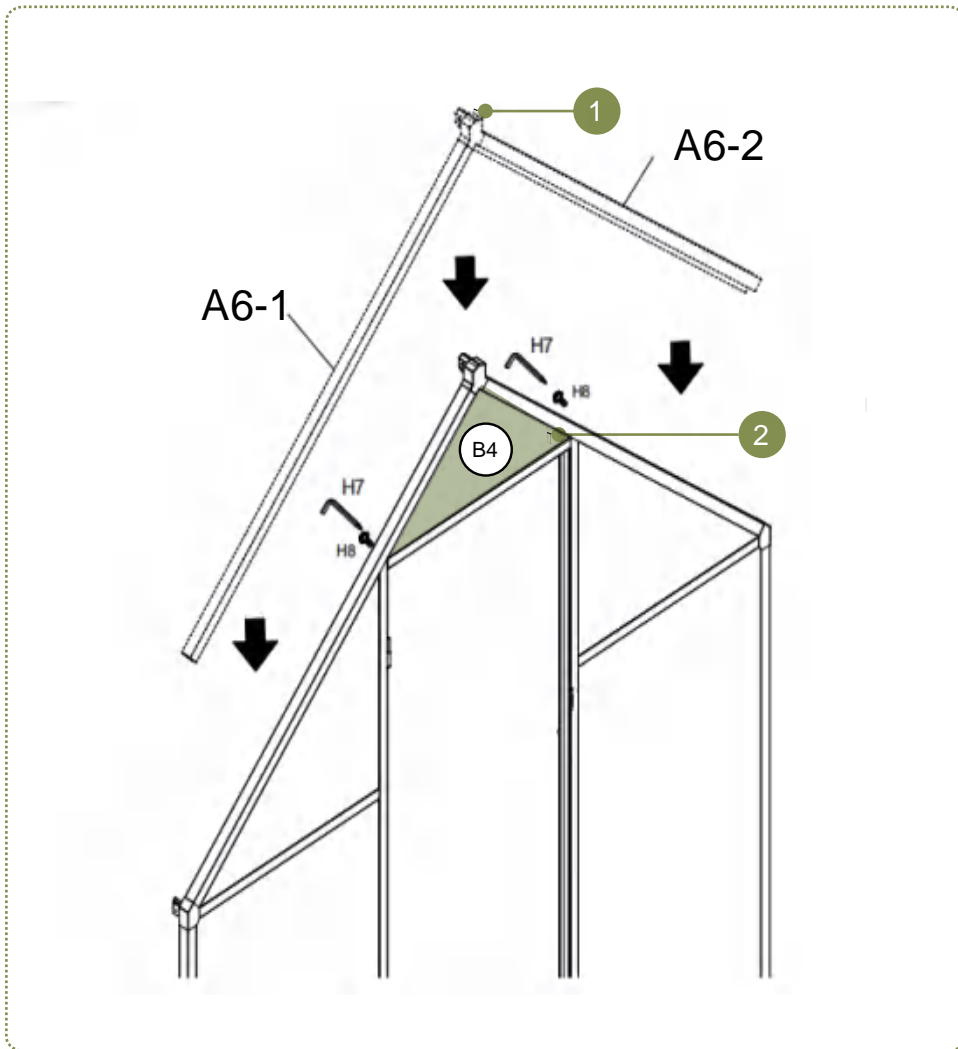


**3** Insert the B7-2 sunshine board into the slot, making sure to first insert the flat corner end of B7-2 into the H2-1A/B plastic piece, then push the other end all the way in. The installation method is the same on both sides.

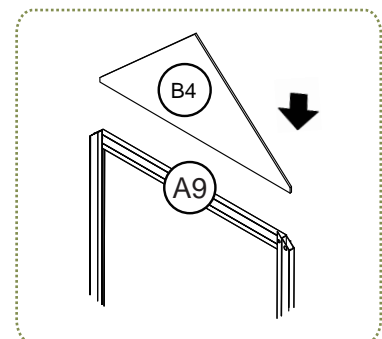
## List:

<b>1</b> A9		x1
<b>2</b> A13		x2
<b>3</b> H8 M6x12		x2
<b>4</b> B7-1 B7-2		x1
<b>5</b> H2-1A		x1
<b>6</b> H2-1B		x1

# STEP 5 Installation of the Front Herringbone Beams

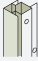


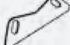
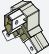


1. Insert A6-1 and A6-2 into H3-1 (note A6 orientation) and connect C2 with them using H8

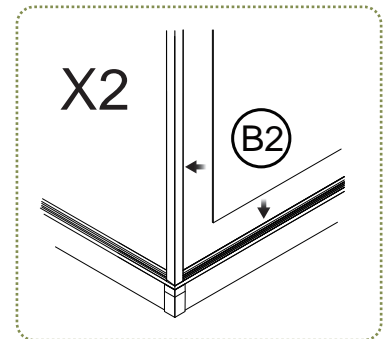
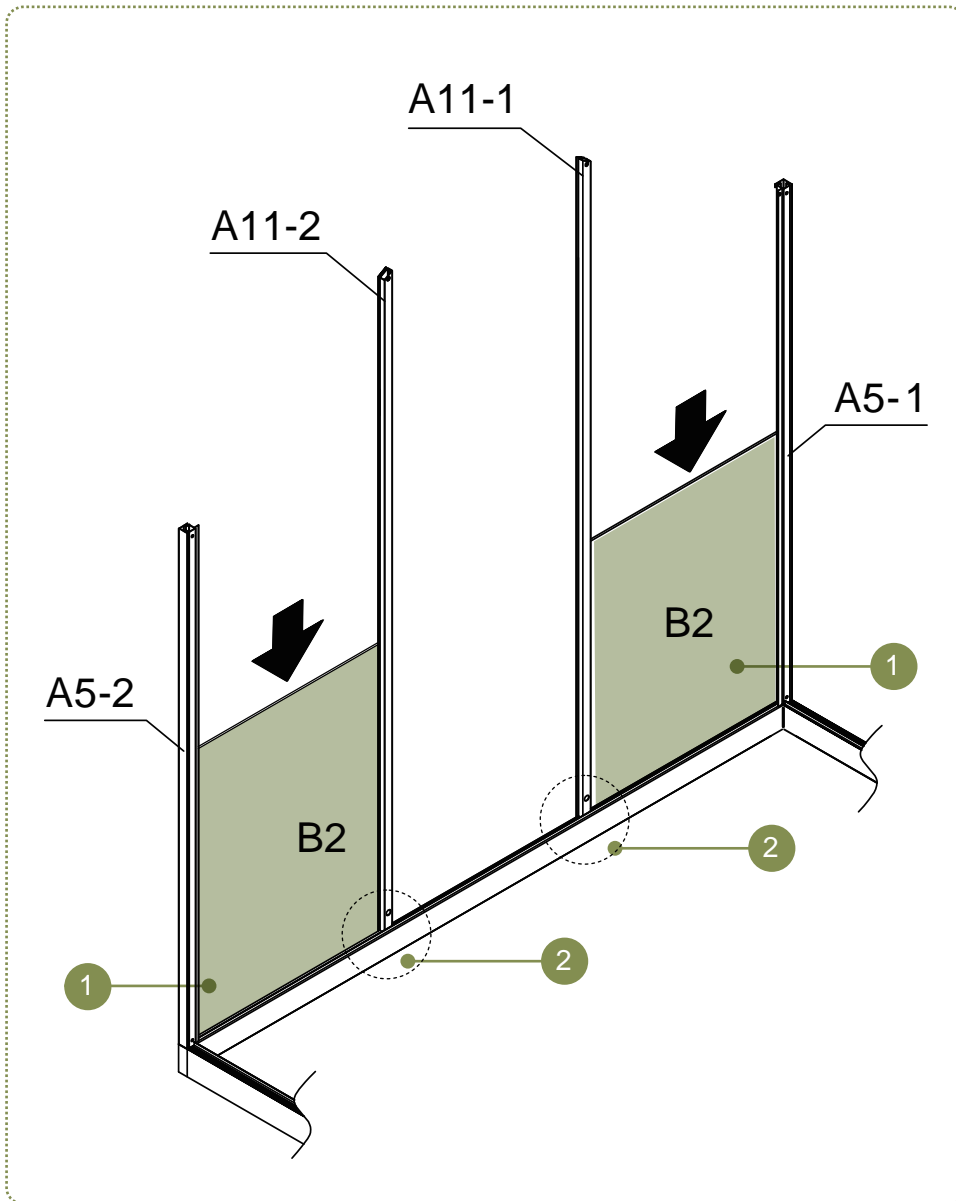


2. Insert the sun board B4 into the slot above A9.

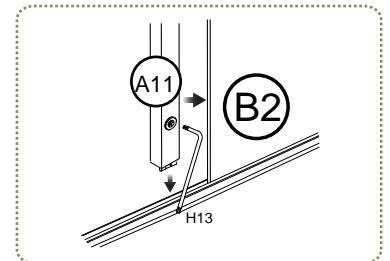
## List:

1 A6-1	 x1	1 H8 M6x12	 x2
2 A6-2	 x1	2 C2	 x1
3 H3-1	 x1		

# STEP 6 Installation of the Rear Panels




1. Accurately insert B2 into the slot.



2. Insert the connected A11 into the slot of A1 and move it to B2. Insert the edge of B2 into the slot of A11 and tighten the lock.

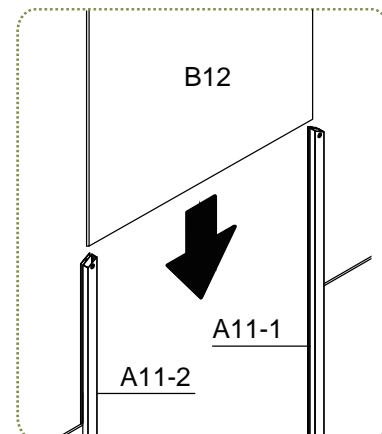
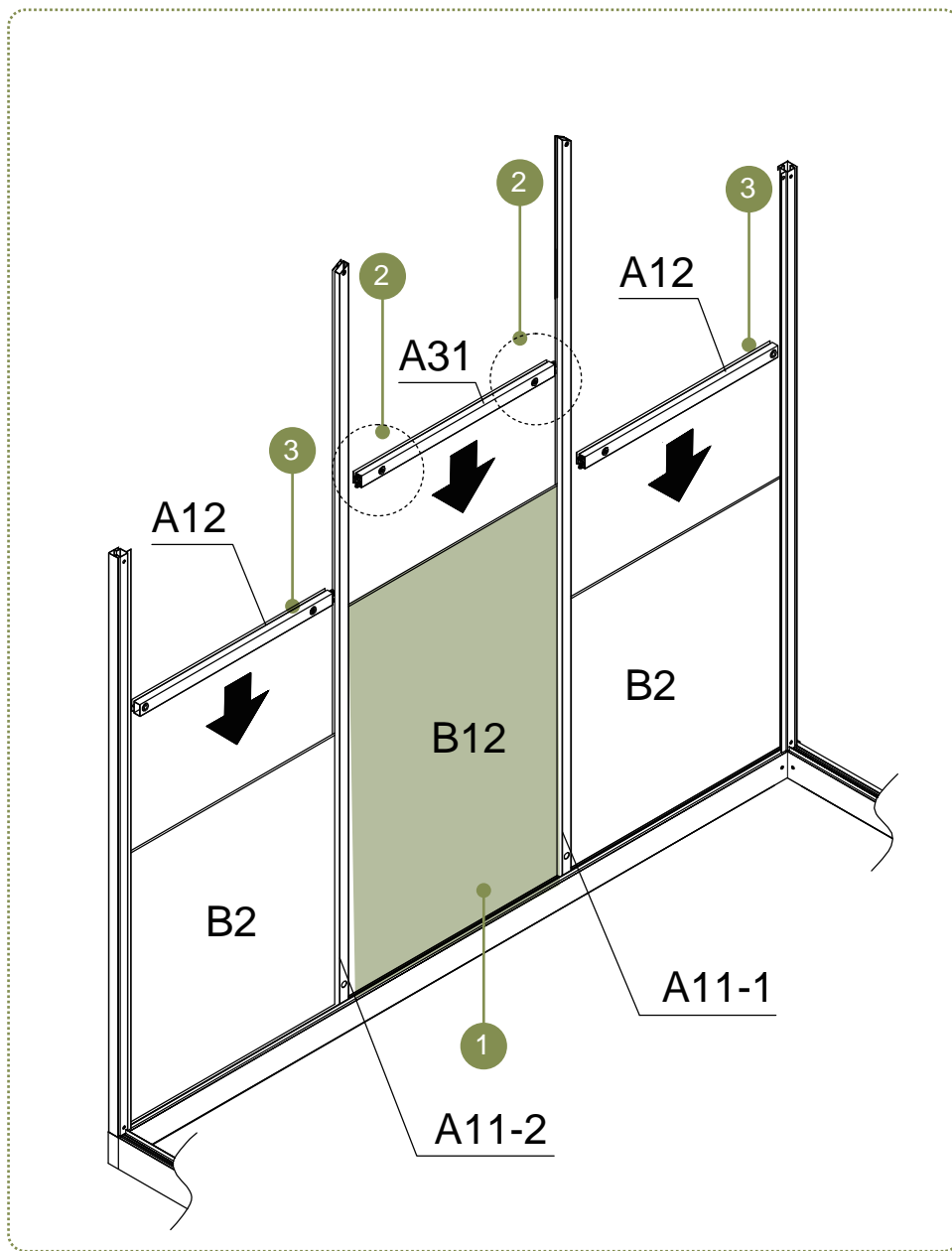
## List:

1 A11-1  x1

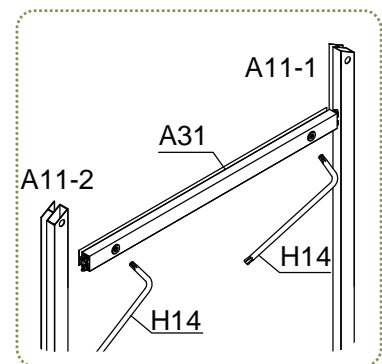
2 A11-2  x1

3 B2  x2

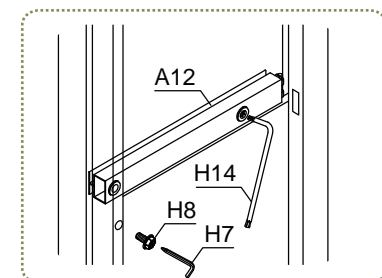
# STEP 7 Installation of B9, A12 & A31





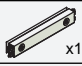

1. Slide the B12 sunboard along the A11 slot to the bottom and snap it into the A1 slot.



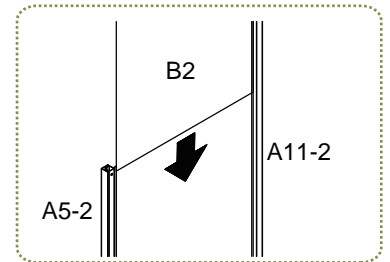
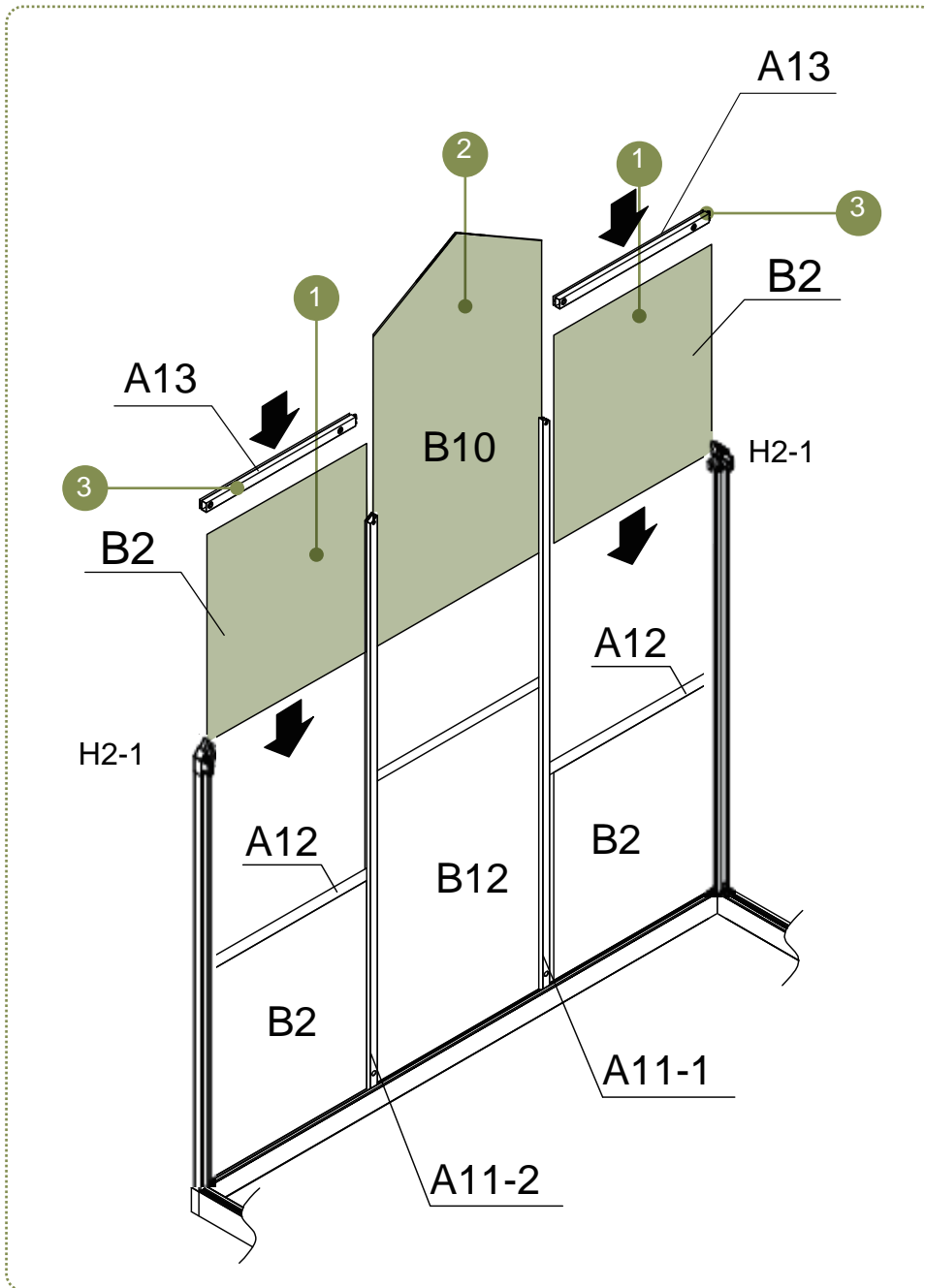
2. Insert both ends of A31 into the holes on both sides of A11, and make sure the upper edge of the sunlight panel B12 is clipped into the slot of A31, then tighten the lock with H14.



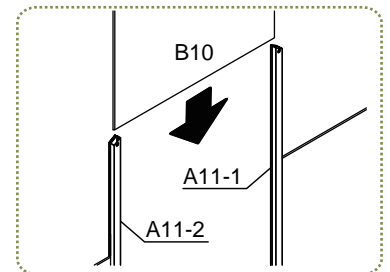
3. Install A12, securing on end to A5 with H8 screws, and connect the other end to A8, then tighten the lock.

- List:**
- |       |   |    |            |   |    |
|-------|---|----|------------|---|----|
| 1 A12 |  | x2 | 3 B12      |  | x1 |
| 2 A31 |  | x1 | 4 H8 M6X12 |  | x2 |

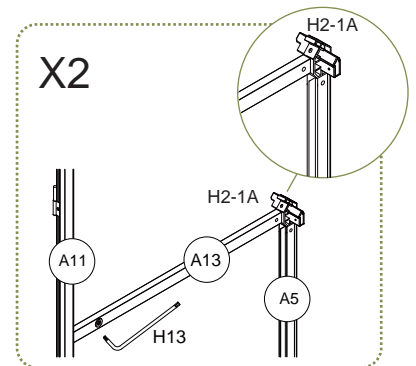
# STEP 8 Installation of A13 and the Rear Panels



1. Slide the B2 sunboard along the A5 and A11 slot to the bottom and snap it into the A12 slot.

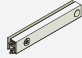



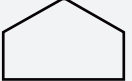


2. Slide the B10 sunboard along the A11 slot to the bottom and snap it into the A31 slot.

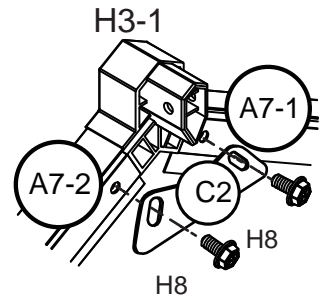
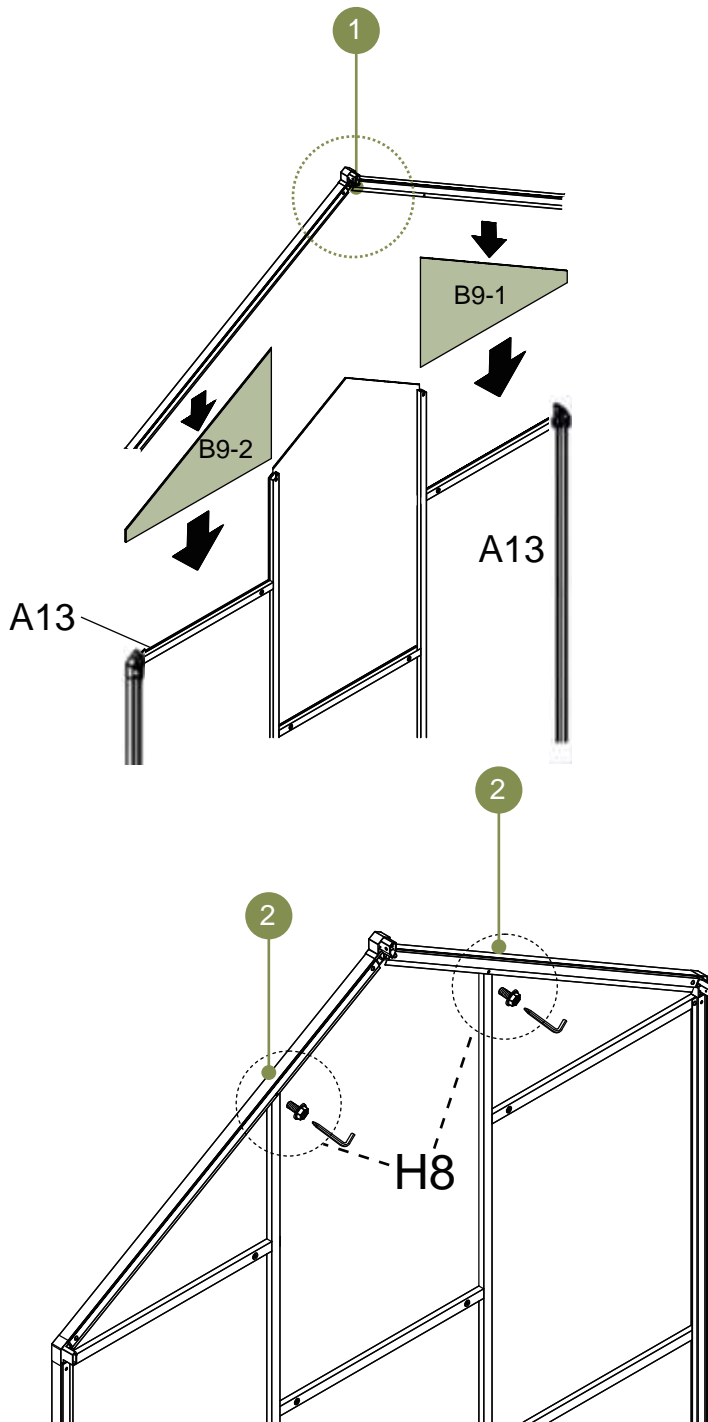


3. Connect A13 to H2-1A/B

## List:

- |       |  |         |  |         |  |
|-------|--|---------|--|---------|--|
| 1 A13 |  x2 | 2 H2-1A |  x1 | 3 H2-1B |  x1 |
| 4 B2  |  x2 | 5 B10   |  x1 |         |  |

# STEP 9 Installation of the Rear Herringbone Beams



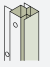
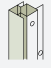




1. Insert A7-1 and A7-2 into H3-1 and connect C2 with them using H8

C2 installation video



2. B9 refers to the installation method of B10.

## List:

- |   |           |   |    |
|---|-----------|---|----|
| 1 | A7-1      |  | x1 |
| 2 | A7-2      |  | x1 |
| 3 | B9-1 B9-2 |  | x1 |
| 4 | H8 M6X12  |  | x4 |
| 5 | C2        |  | x1 |
| 6 | H3-1      |  | x1 |

# STEP 10 Installation of A4 and Sunroof

1

A4-1

A28

A4-2

C1

A4-1

UV

Tip: The side of the B11 sunroof with the UV label should be facing up.

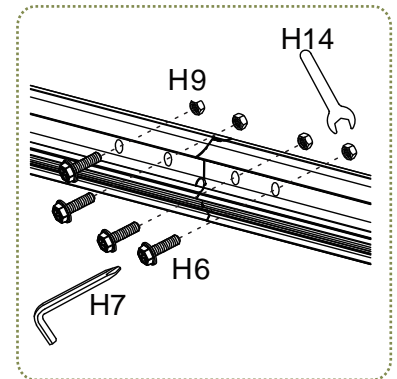
sunroof installation video

2

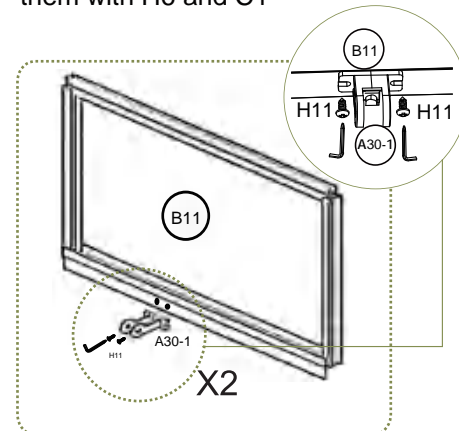
3

B11

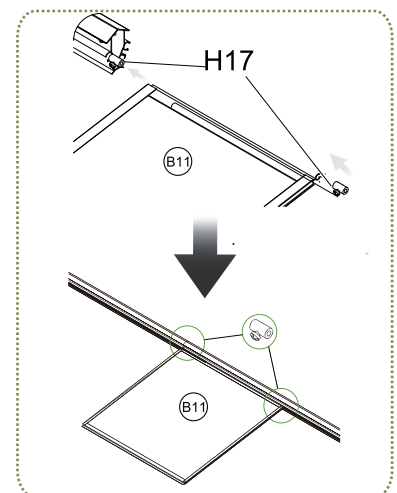
H17



1. The first step is to connect the three A4 with A28 and fix them with H6 and C1



2. The second step is to fix A30-1 to B11 using H11 screws.

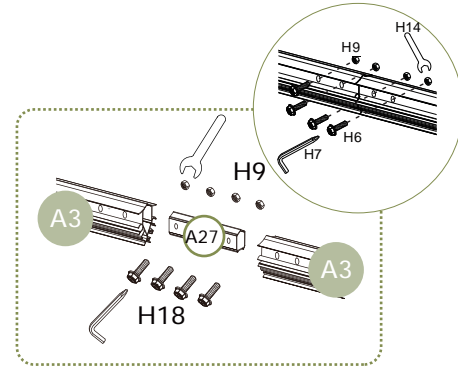
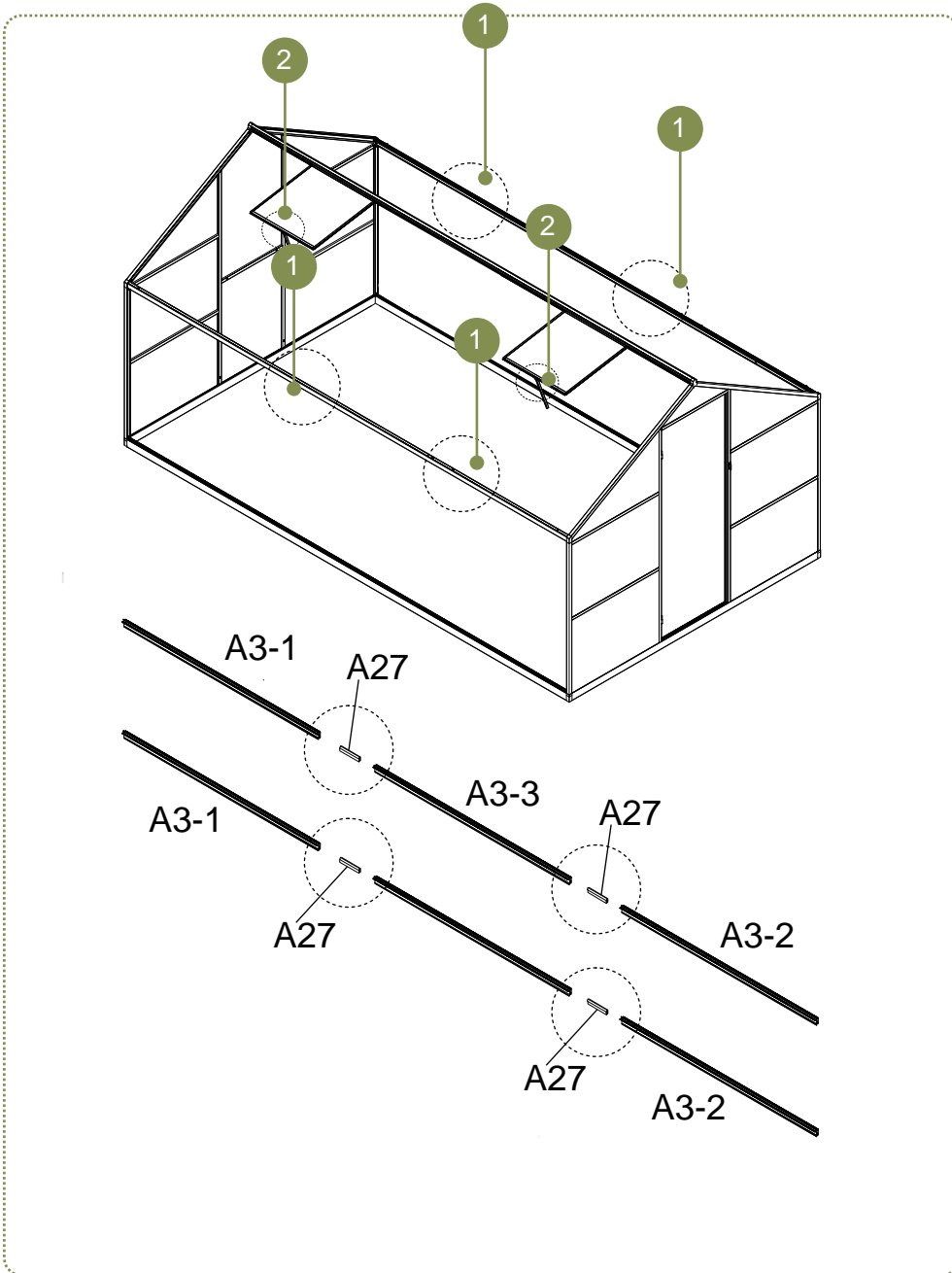


2. The third step is to insert H17 and B11 into the circular slots of the A4-1 profile in the direction indicated by the arrows

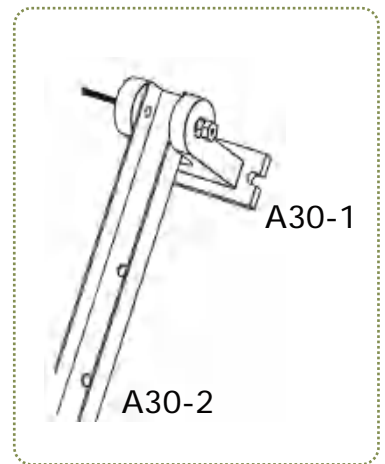
## List:

1 A4-1	x2	5 H6 M6x30	x8	9 A30-1	x2
2 A4-2	x1	6 H9 M6	x8	10 B11	x2
3 A28	x2	7 H11 St4x10	x4	Window	x2
4 C1	x4	8 H17	x4		

# STEP 11 Installation of A3 & A30

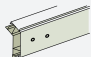

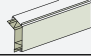

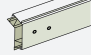
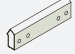


1. The first step is to connect two A3-1 to A3-3 to A3-2.

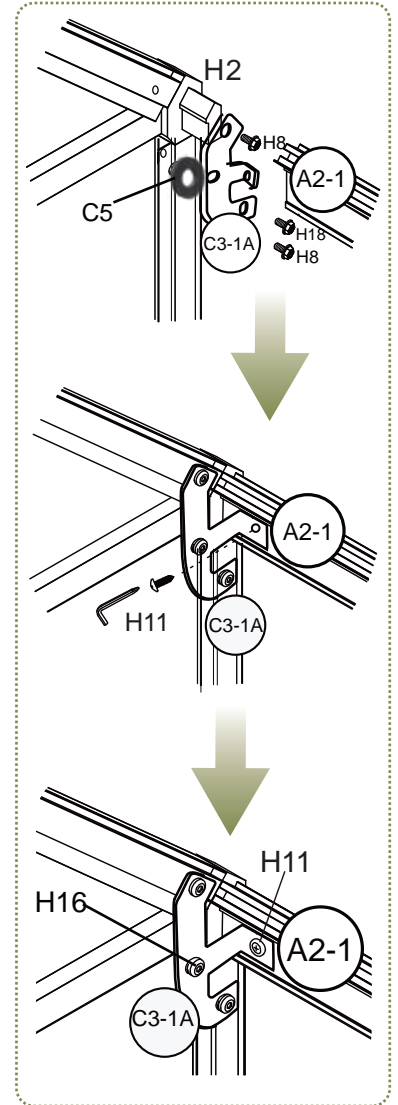
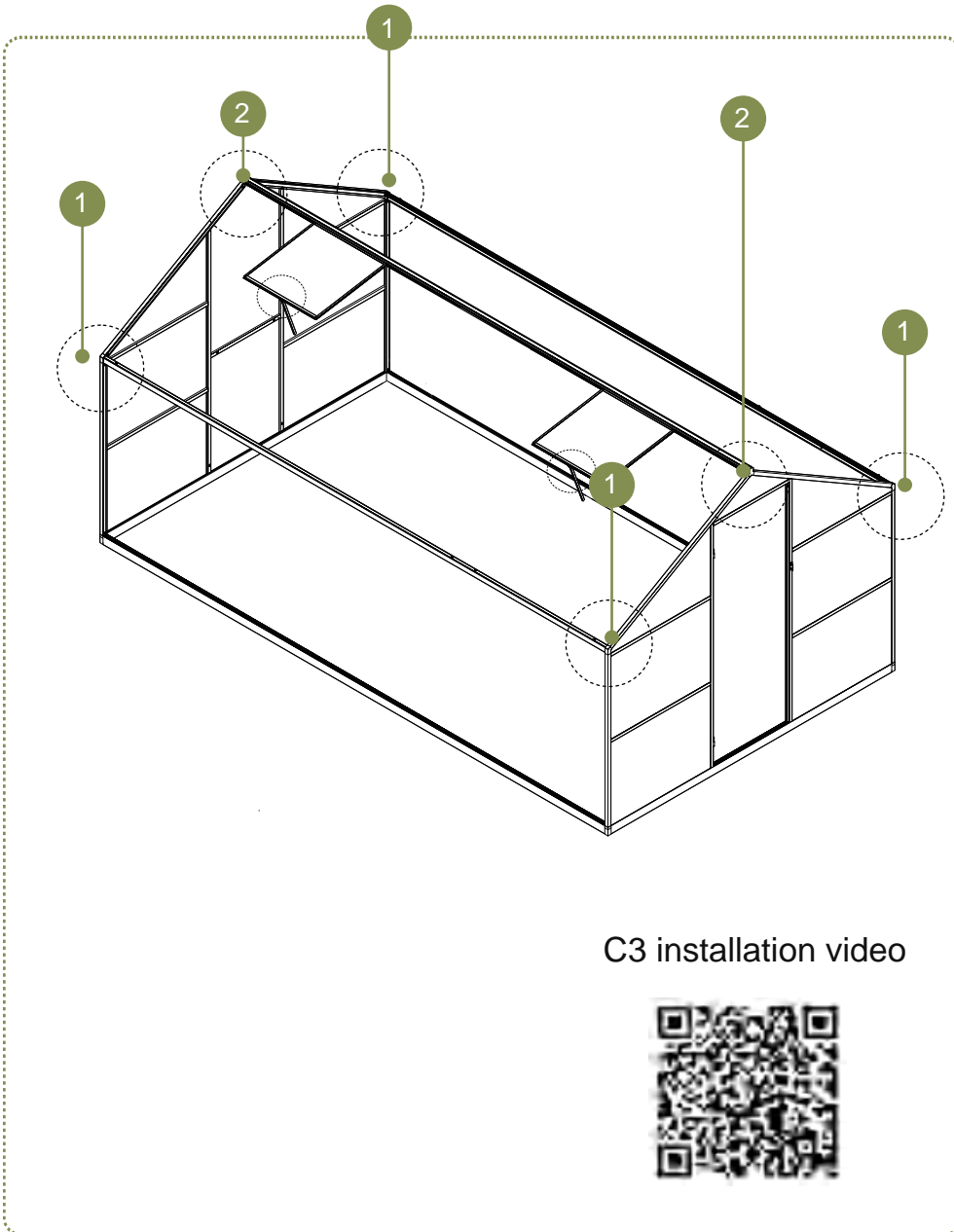


2. Install A30-2 onto the plastic part of A30-1, pay attention to the direction

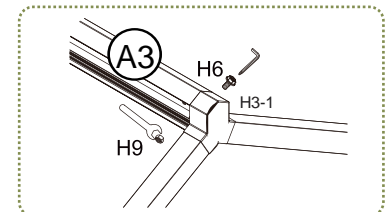
## List:

1. A3-1	 x2	6. H18 M6x20	 x16
2. A3-2	 x2	7. H9 M6	 x16
3. A3-3	 x2		
4. A27	 x4		

# STEP 12 Installation of the C3-1 Corner Guard











**1.** To install C3-1A/B, loose n the H8 and H18 screws that were previously fixed



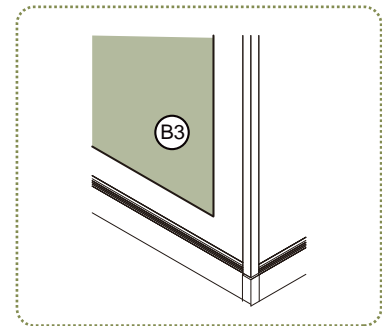
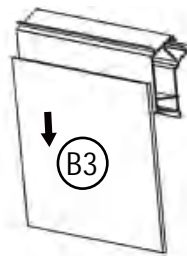
**2.** Insert A3 into the plastic connector H3-1, screw the H6 screw into the screw hole, and tighten the screw

## List:

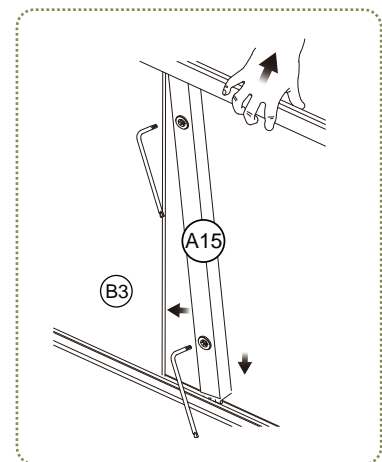
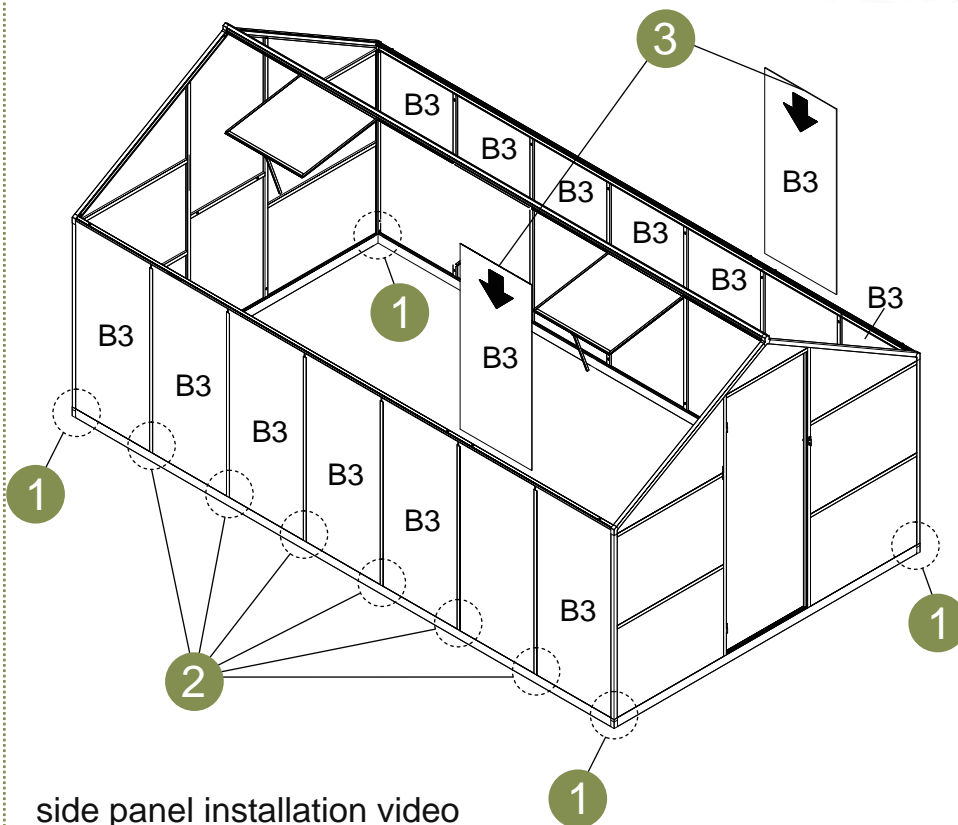
<b>1</b> C3-1A	 x1	<b>5</b> H12 ST5x12	 x4
<b>2</b> C3-1B	 x1	<b>6</b> H9	 x2
<b>3</b> C5	 x4	<b>7</b> H6 M6x30	 x2
<b>4</b> H8 M6x12	 x8	<b>8</b> H18 M6x20	 x4

# STEP 13 Installation of the Side Panels

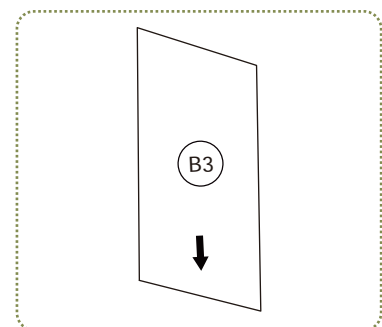
Tip: The installation position of PC board B3 is shown in the figure (outside of the aluminum profile)



1. The B3 installation is shown in the picture above



2. Install a B3 first, and then install A15, and the installation steps of the A15 are shown in the figure above



3. There are two B3 panels here, wait until the other panels are in place to install them.

side panel installation video



## List:

1 A15



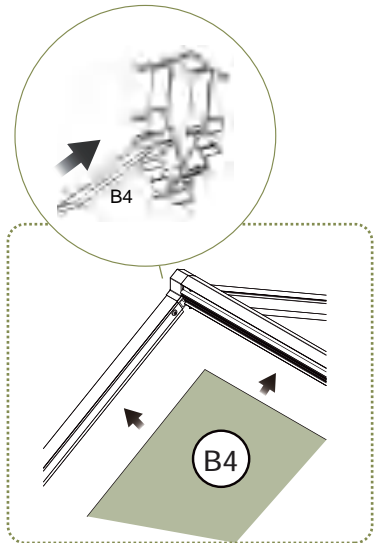
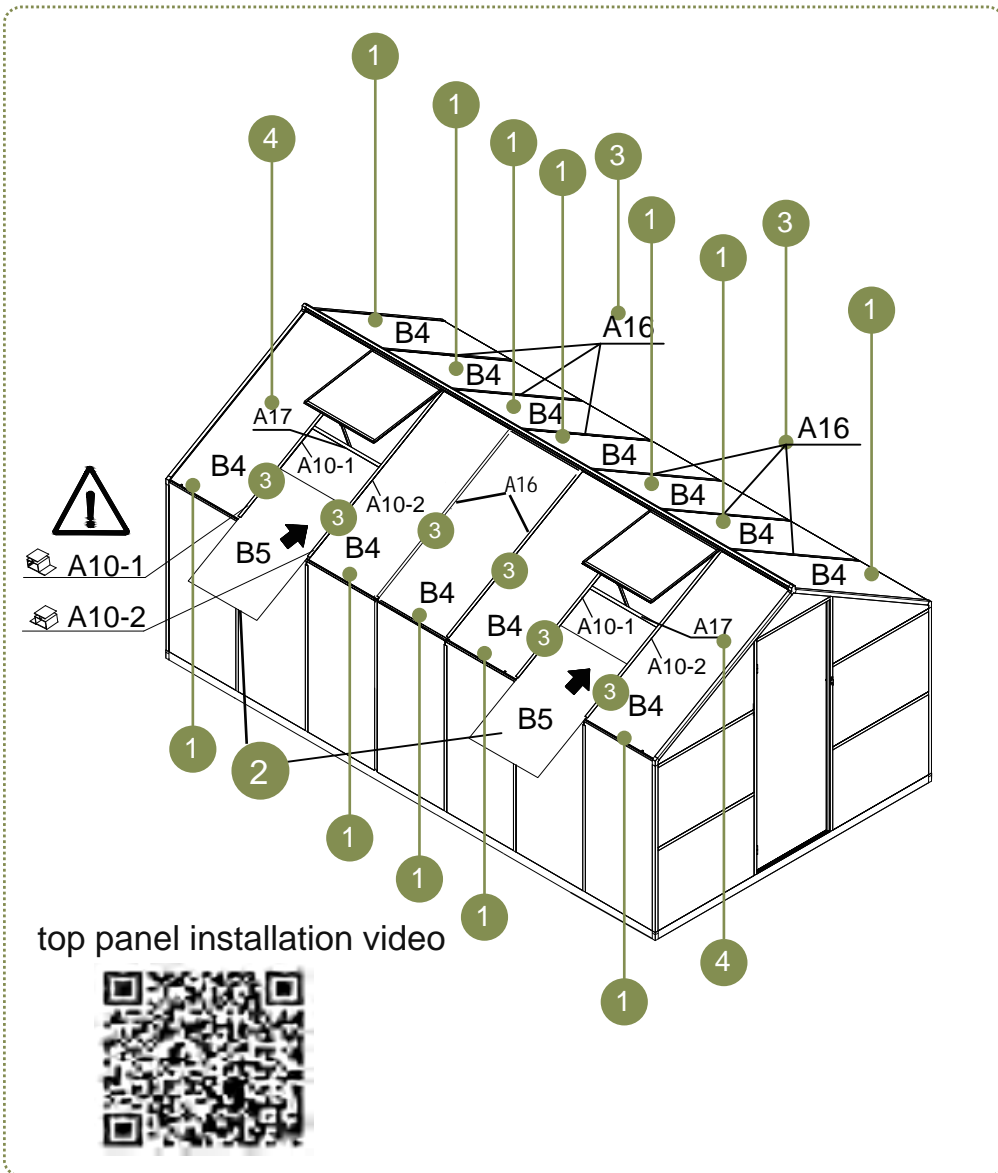
x12

2 B3

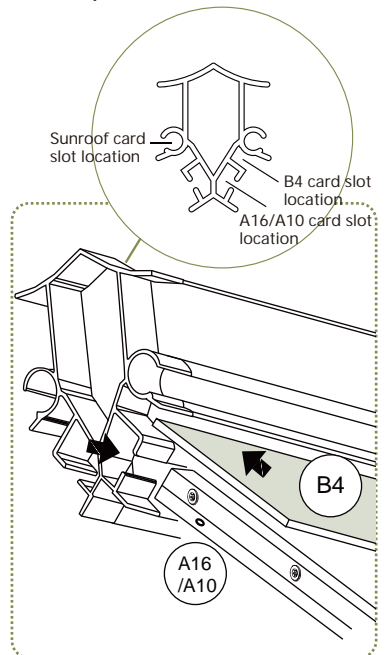


x14

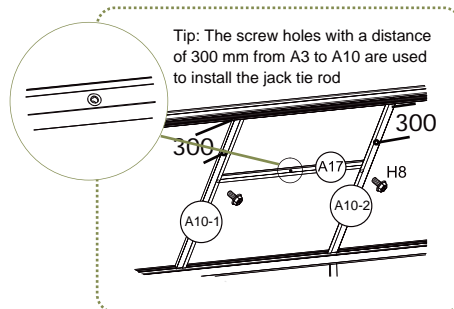
# STEP 14 Installation of the Top Panels



1. The position of the top beam card slot of the PC board B4 is shown in the figure
2. There are two B5 panels here, wait until the other panels are in place to install them



3. First, one end of the A16/A10 is stuck into the slot, the other end is placed in the lower slot, and then moved to the B4 sunshine board, finally the sunshine board is stuck into the slot and tighten the lock.



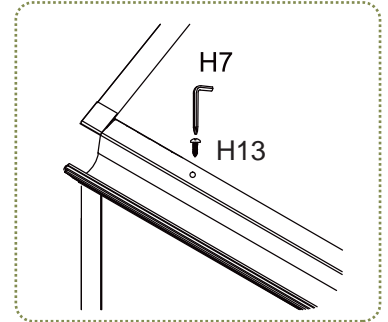
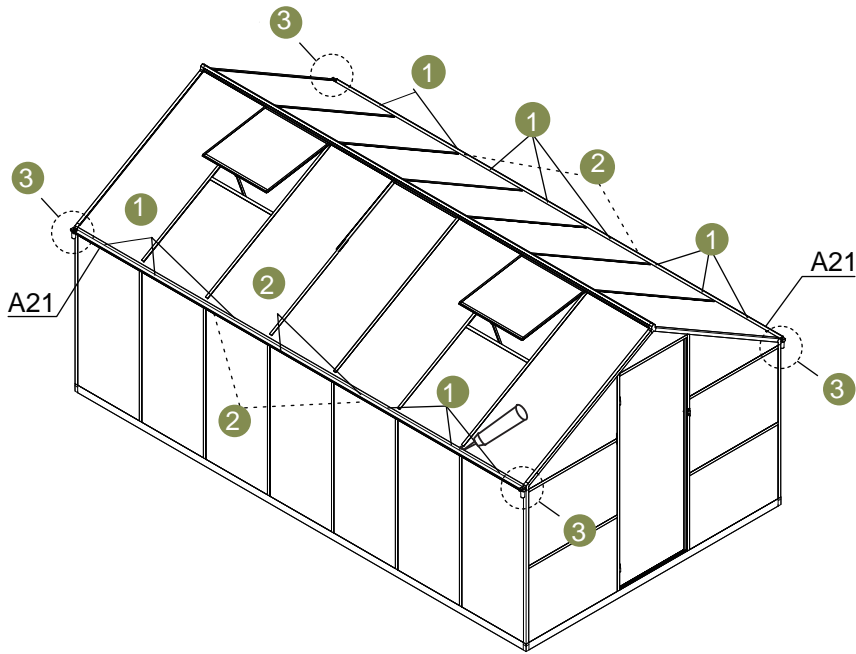
4. Align the two ends of A17 with the holes on A10 and fix them with H8 (pay attention to the A17 rivet holes)

## List:

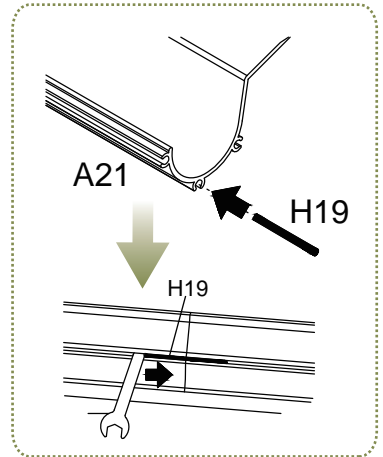
- |         |  |     |            |  |    |
|---------|--|-----|------------|--|----|
| 1 A10-1 |  | x2  | 5 A16      |  | x8 |
| 2 A10-2 |  | x2  | 6 A17      |  | x2 |
| 3 B4    |  | x12 | 7 H8 M6x12 |  | x4 |
| 4 B5    |  | x2  |            |  |    |

# STEP 15 Installation of the Sink

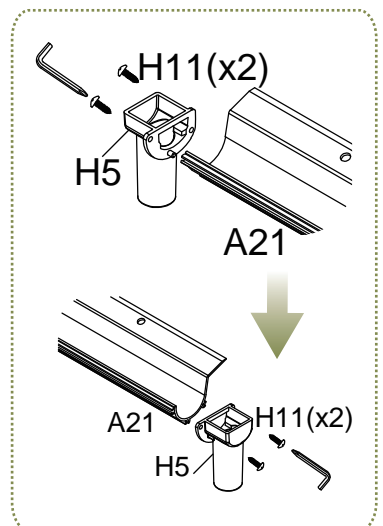
Tip: After each panel is installed and the sink is secured, apply some glass glue at the junction of the panel and the aluminum parts to prevent water leakage and strengthen stability.



1. Assembly of gutters A21

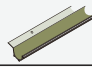
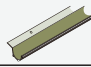

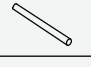




2. Insert H19 into A21 and connect A21

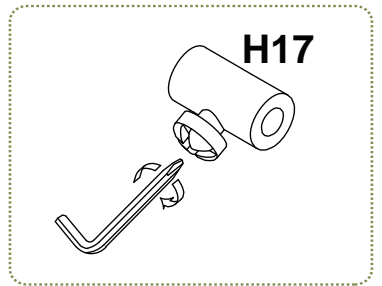
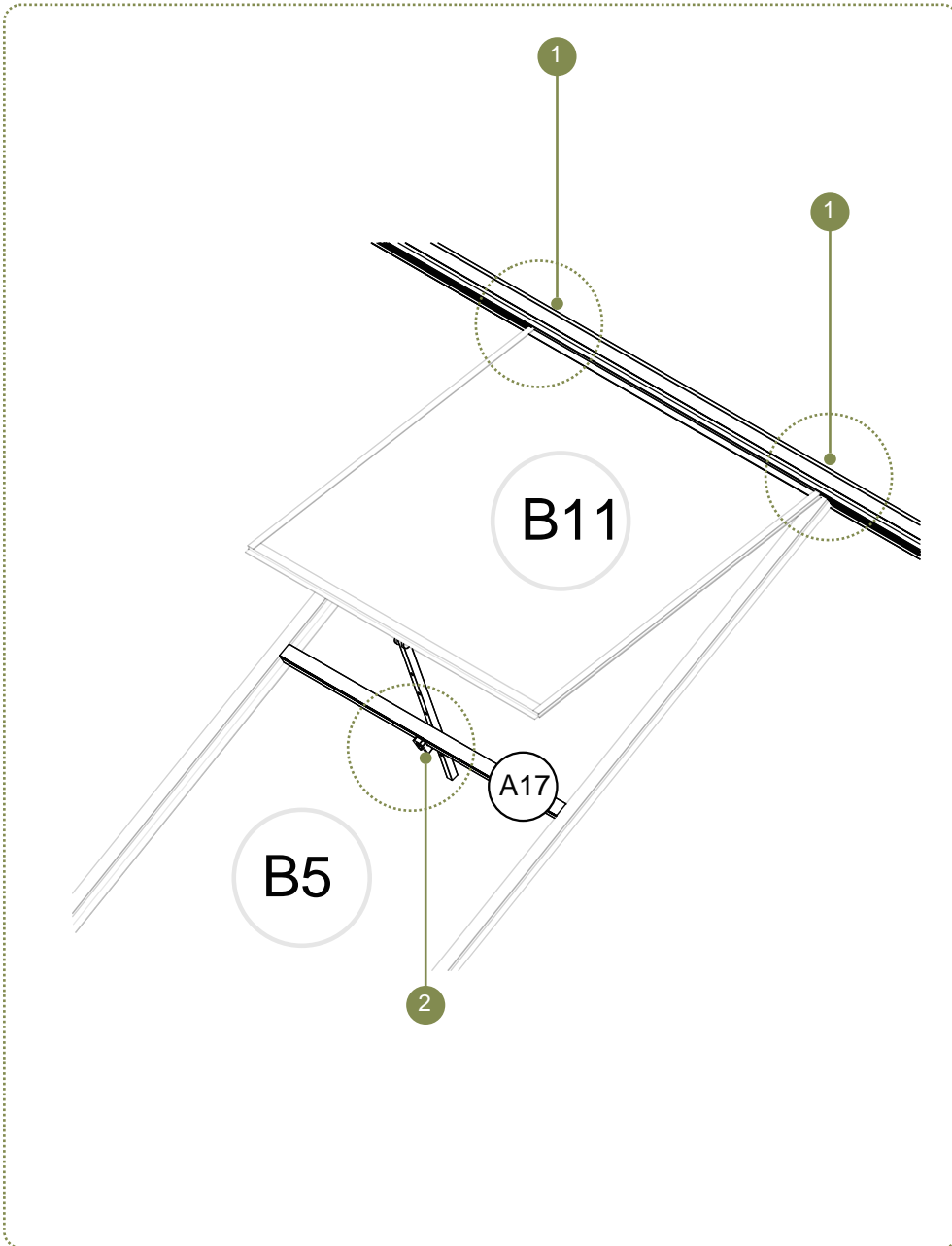


3. Install H5 to A21

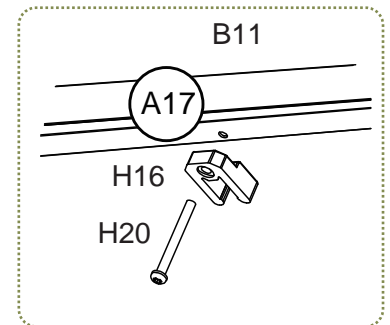
## List:

1 A21	 x4	5 A21-1	 x2
2 H5	 x2	6 H19	 x4
3 H11 ST4x10	 x8		
4 H13 ST5x13	 x16		

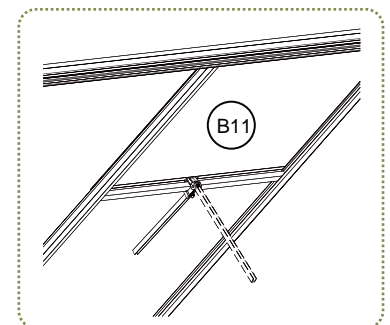
# STEP 15 Installation of the Sunroof Fixing Rod



1. Move the H17 on both sides of the skylight to be right next to the skylight, and tighten the screws on the H17 to secure the position of the skylight.



2. Install H16 onto A17 and secure with H20



2. Adjust the sunroof fixing rod to the center point of the buckle

## List:

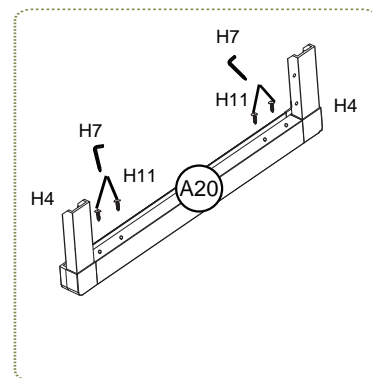
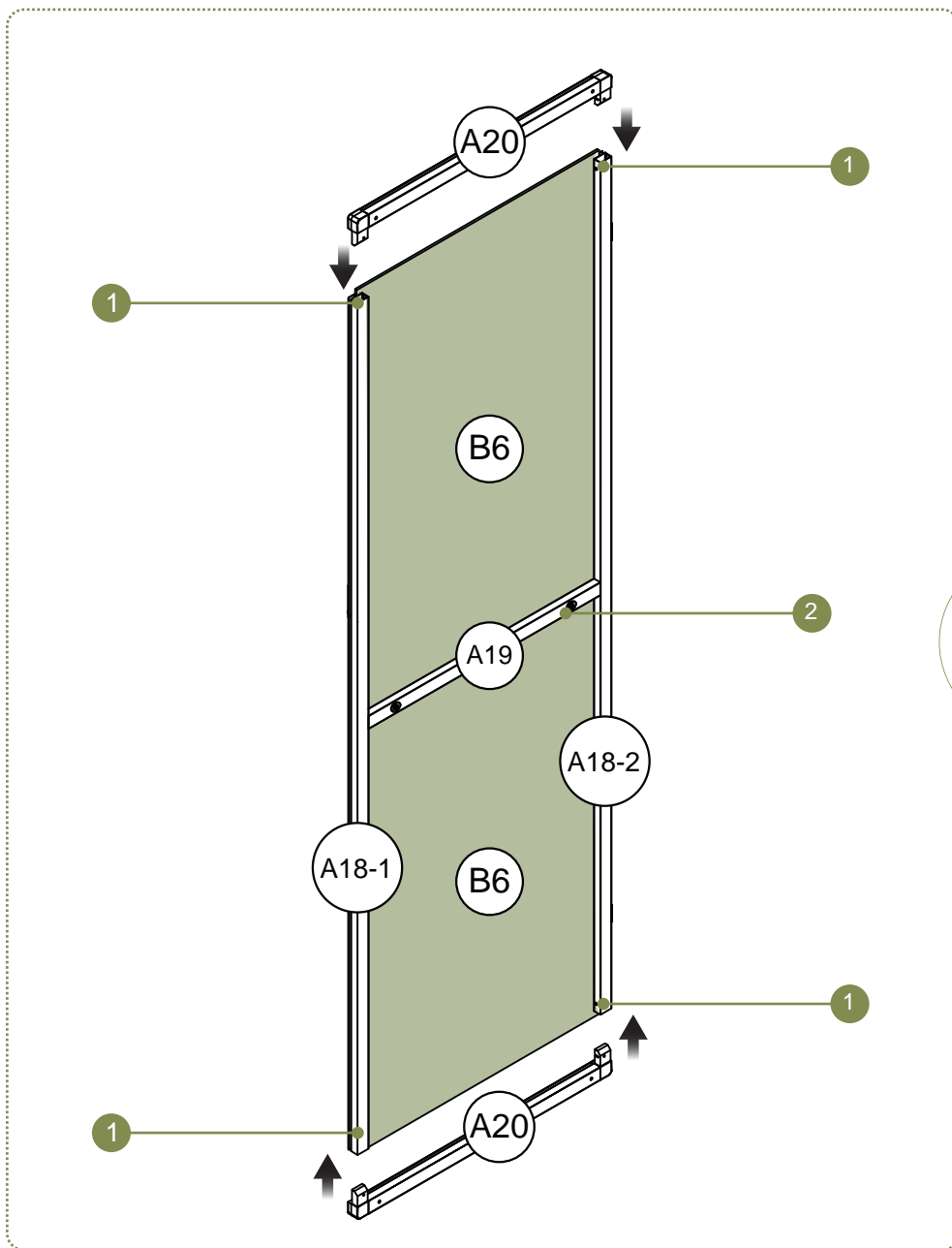
1 H16



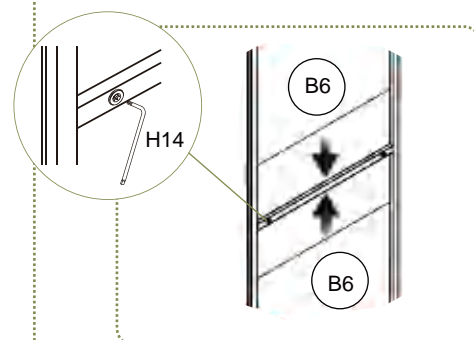
2 H20 M4x38



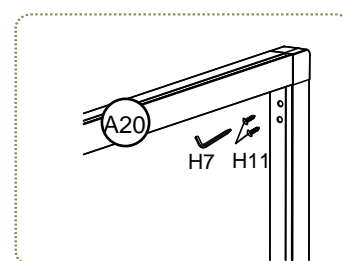
# STEP 16 Installation of the Door frame



1. First, install H4 onto A20 and secure it with H11



2. Fix A19 onto the slot of A18 and lock it, then install B6.



3. Tighten screw H11

## List:

1 H4



x4

5 A18-2



x1

2 H11 ST4x10



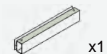
x16

6 A19



x1

3 A20



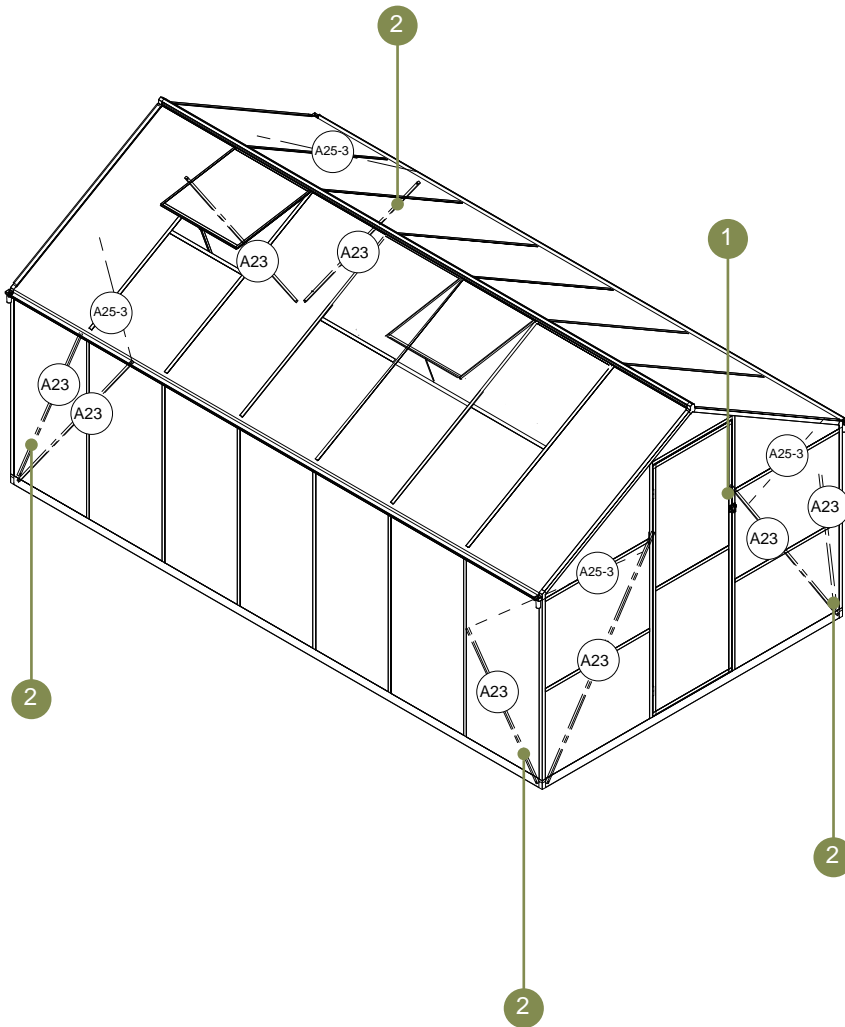
x1

7 B6



x

# STEP 17 Installation of the Triangular Support Rods



Tip: When installing the door, keep it open

## List:

1 H8 M6x12



x24

2 A25-3

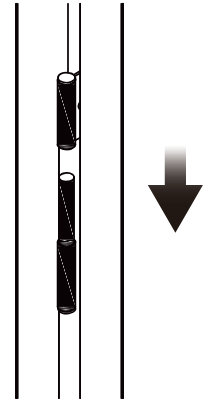


x4

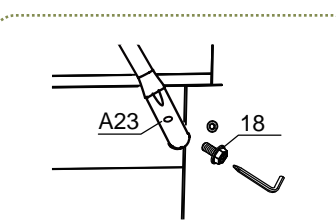
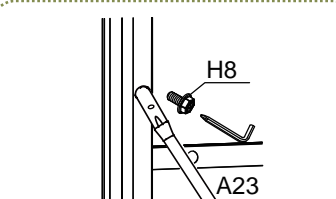
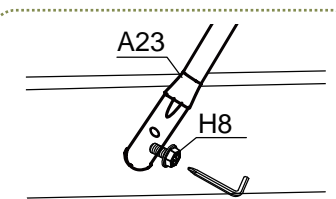
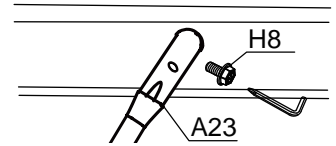
3 A23



x8

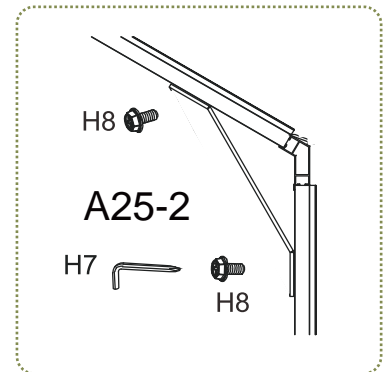
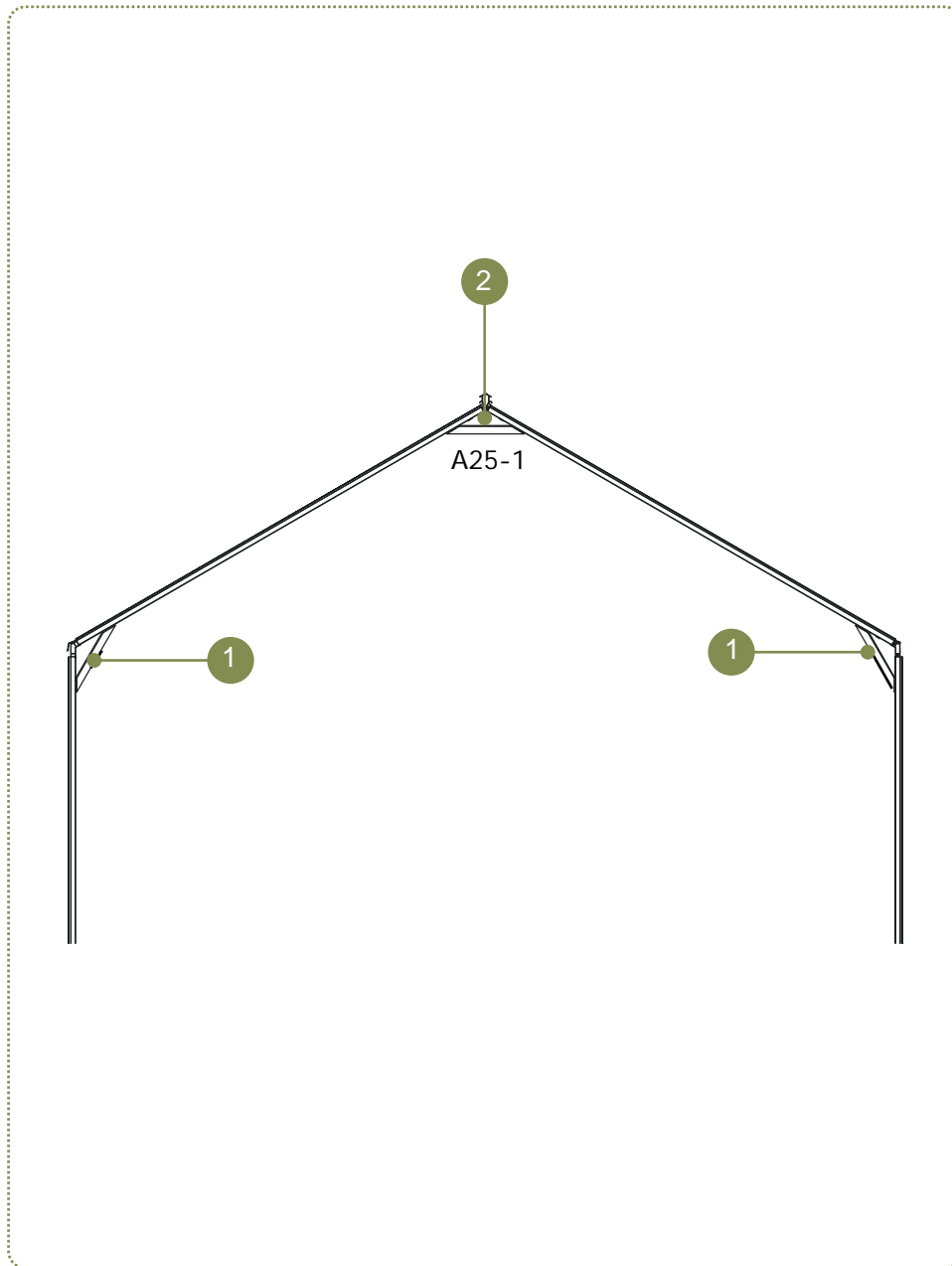


1. Install the door to the door frame, the installation steps are shown in the picture above

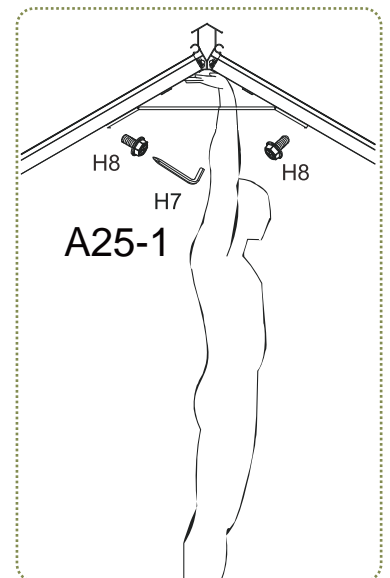


2. Install A23 as shown in the picture above

# STEP 18 Installation of the Support Rods






1. Install the A25-2 as shown in the figure and fix it by H8 (do not tighten the H8 screws for now).

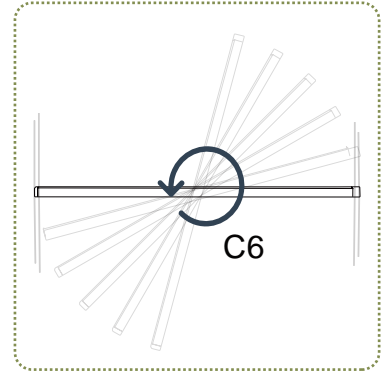
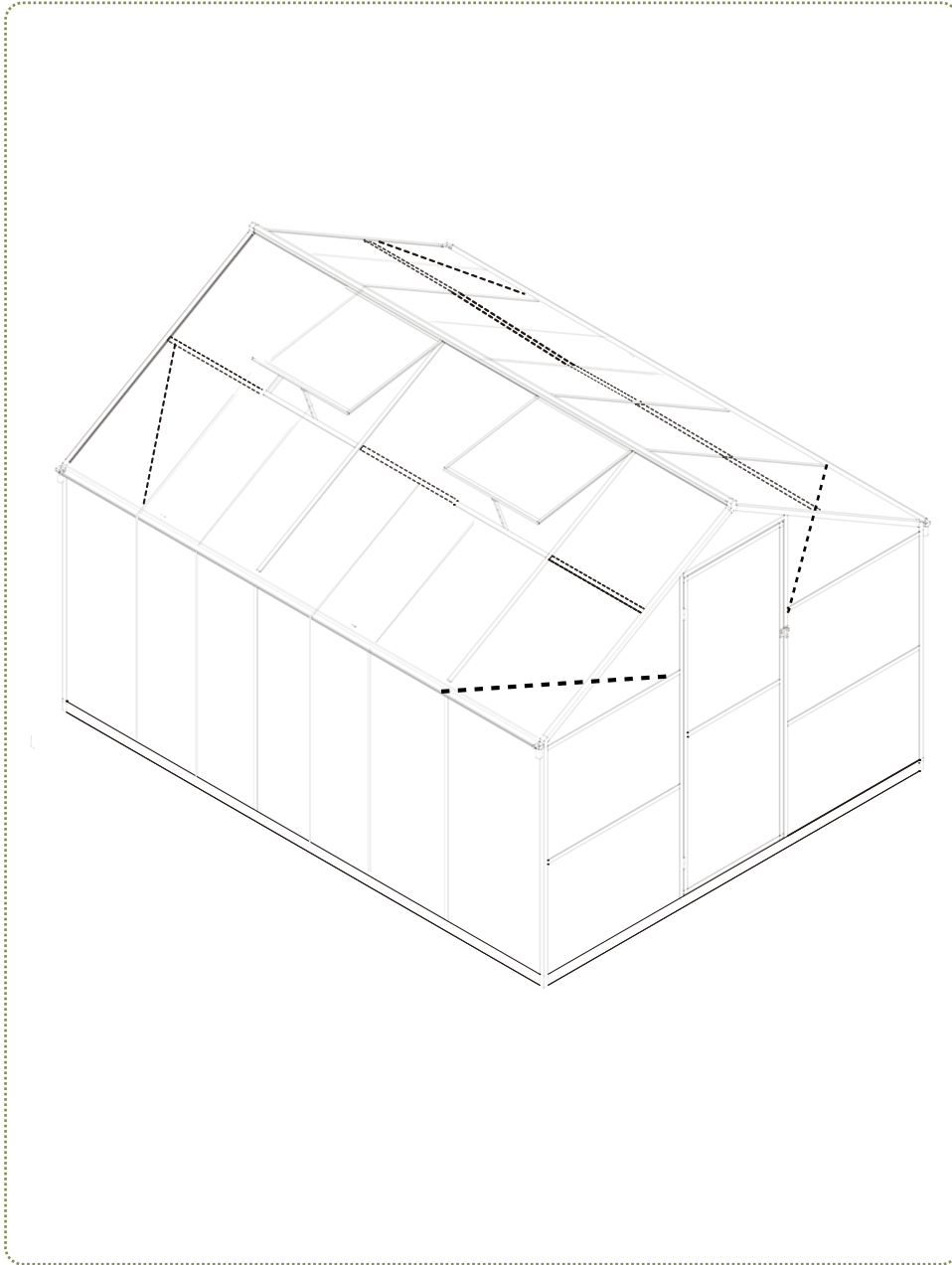


2. When installing A25-1, first use H8 to fix one end, then lift the roof up to align the holes, and then use H8 to fix the other end.

## List:

- 1 A25-1  x6
- 2 A25-2  x12
- 3 H8 M6x12  x36

# STEP 19 Installation of C6



1. C6 Iron bars are fitted inside the conservatory to hold the frame in place the C6 installs by hand with tool-free assembly.

## List:

1 C6





# Maintenance

## 1. Why is it important to clean the PC board regularly?

### To protect the UV coating:

PC panels typically have a UV-protective coating. Without regular cleaning, buildup of dust, bird droppings, acid rain, and other pollutants can wear down this layer over time, leading to yellowing, brittleness, and faster aging of the material.

### To maintain light transmittance:

Accumulated dirt can obstruct light, potentially reducing transmittance by 10%–30%. This may interfere with sunlight exposure in sunrooms, affecting plant growth and temperature control.

### To prevent chemical corrosion:

Bird droppings and industrial pollutants often contain acidic substances that can directly corrode the surface of the panel, leaving permanent stains or causing micro-cracks.

### To avoid mechanical damage:

When sand, gravel, or other hard particles adhere to the surface, strong winds or heavy rain can cause them to scrape against the panel, potentially leading to scratches and reduced impact resistance.

## 2. The Downside of Not Cleaning

Question Type	Specific impact	Long-term risks
Light Transmission Reduction	As natural light decreases, supplemental lighting may be needed, resulting in higher energy usage.	Reduced light transmittance can hinder plant photosynthesis and decrease the efficiency of indoor temperature regulation.
Accelerated Aging	The panel may yellow and become brittle, reducing its lifespan from 10–15 years to as little as 5–8 years.	The structural strength may decline, making the panel more prone to cracking or deformation.
Reduced Appearance	Stains on the surface can make the building look less appealing.	The longer stains stay, the harder they are to clean—and some may become permanent.
Loss Of Function	Reduced heat insulation and impact resistance.	Higher risk of damage during extreme weather, such as hail or storms.



# Maintenance

## 3. Recommended Cleaning Guide

### Frequency:

• Clean every 3-6 months.

\*(Clean more often - every 1-2 months - if you live in a dusty area, rainy climate, or near industrial sites).\*

### How to Clean:

1. Wipe with a soft cloth or sponge soaked in warm water and a mild detergent (like dish soap).
2. For stubborn stains, gently wipe with isopropyl alcohol; avoid strong solvents such as acetone or ammonia.
3. When rinsing, avoid using high-pressure water jets directly on the surface to prevent coating damage.

### Important Don'ts:

- ✘ **Hard brushes and steel wool can scratch the surface.**
- ✘ **Dry wiping can worsen scratches due to increased friction.**