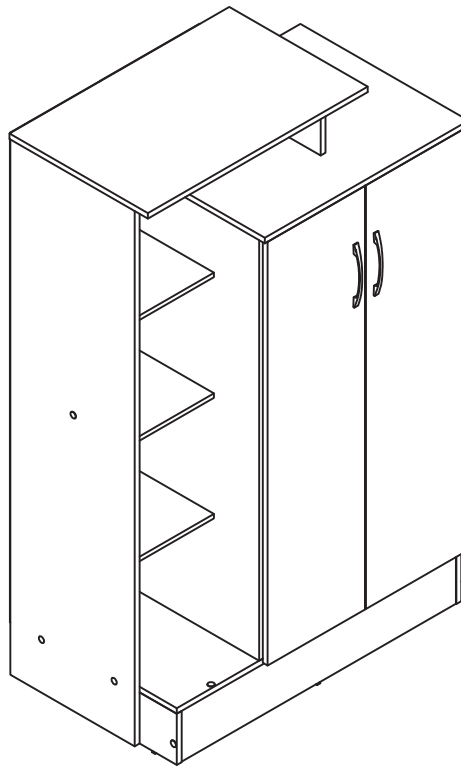
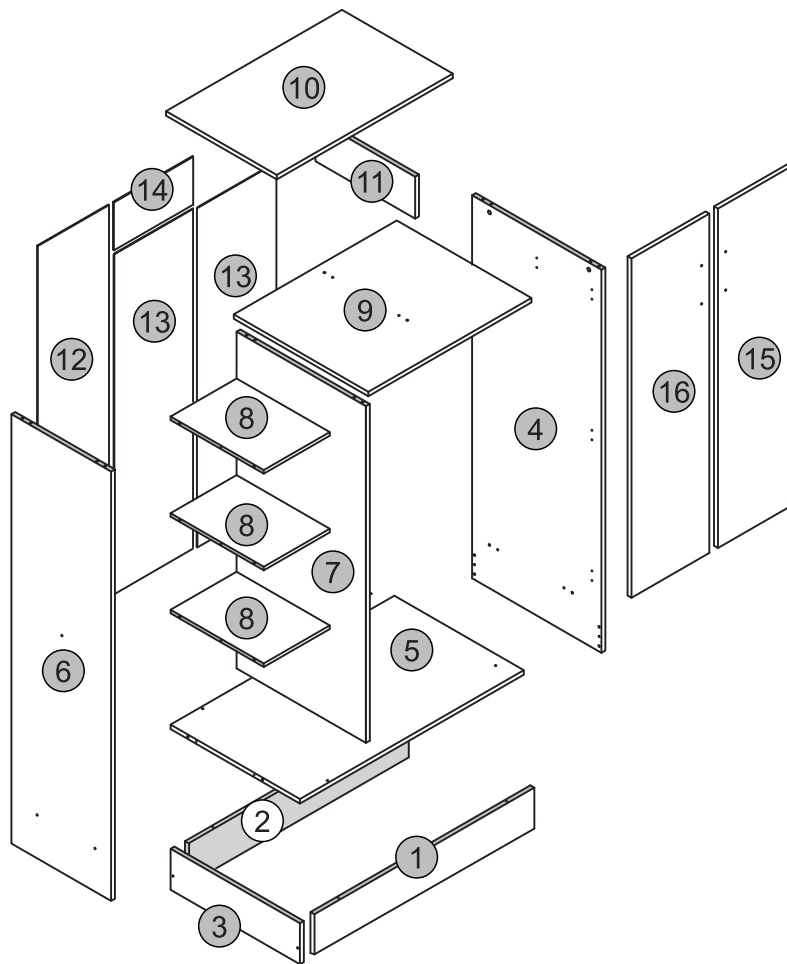


PETITE OPEN SHELF WARDROBE ASSEMBLY INSTRUCTIONS WHITE GLOSS

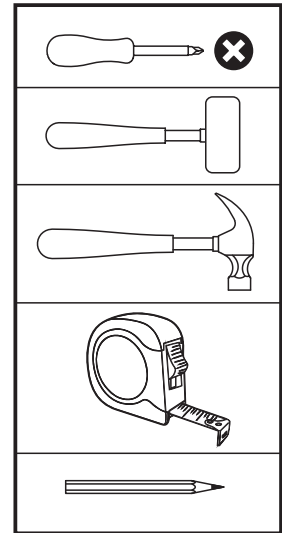


IMPORTANT FOR DOMESTIC USE ONLY PLEASE READ BEFORE YOU CONTINUE FURTHER CARE AND MAINTENANCE

- After unpacking this product please keep the original packaging in case it needs to be returned for any reason.
- Please ensure all fittings and parts are present before commencing with assembly.
 - Never drag or push products as this could cause damage to the joints making it inferior.
 - We strongly recommend that you keep children away from your work area.
 - We recommend that you lay a blanket or sheet on the floor to avoid damage to both your floor and the product.
 - Assemble this product as close to its final position as possible.
 - Do not place this product next to a radiator or in direct sunlight.
 - Do not drag or push items across your high gloss furniture as this may cause the surface to scratch
 - Wood is a natural product and may expand if subjected to damp and may shrink or crack if subjected to heat. Therefore it is recommended that room temperature is maintained, with no sudden temperature fluctuations.
 - Make sure any spillage is wiped off immediately.
 - Do not place hot or chilled items directly on to the surface, use a place mat or marking will occur.
 - For general cleaning use a soft cotton or micro fibre cloth, and do not use detergents of any kind.
 - From time to time it may be necessary to tighten fittings, regular inspections should be carried out.
 - Do not place on a wet or damp floor as staining may occur to your floor.



TOOLS REQUIRED



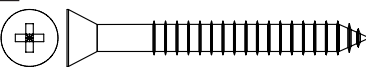
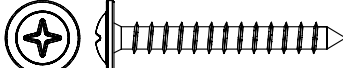
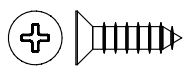
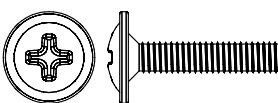
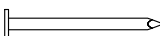


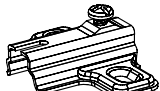
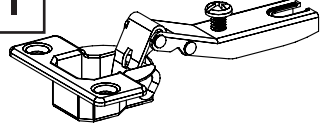
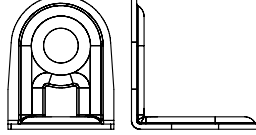
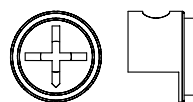
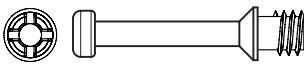
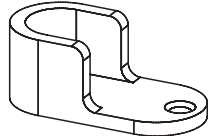

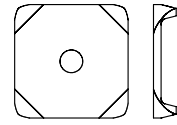
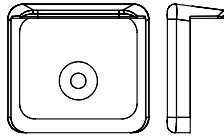

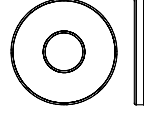
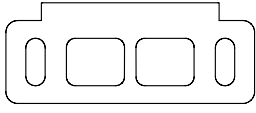
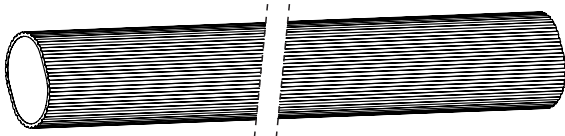
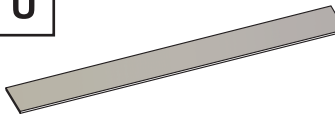

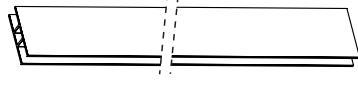
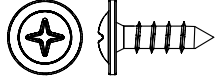
PARTS LIST

Please Note:

The below parts have all been stamped with the part number to help identify them during assembly.

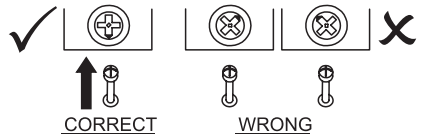
Part Number	Part Code	Part Description	Quantity	Carton
1	S100-101-147-DM1-01	Front Baseboard	1	1/2
2	S100-101-147-DM1-02	Back Baseboard	1	1/2
3	S100-101-147-DM1-03	Left Baseboard	1	1/2
4	S100-101-147-DM1-04	Right Side Panel	1	1/2
5	S100-101-147-DM1-05	Base Panel	1	1/2
6	S100-101-147-DM1-06	Left Side Panel	1	2/2
7	S100-101-147-DM1-07	Division Panel	1	1/2
8	S100-101-147-DM1-08	Shelf	3	2/2
9	S100-101-147-DM1-09	Centre Top	1	1/2
10	S100-101-147-DM1-10	Top Panel	1	1/2
11	S100-101-147-DM1-11	Small Division Panel	1	1/2
12	S100-101-147-DM1-12	Large Back Panel	1	2/2
13	S100-101-147-DM1-13	Medium Back Panel	2	2/2
14	S100-101-147-DM1-14	Small Back Panel	1	1/2
15	S100-101-147-DM1-15	Right Door	1	2/2
16	S100-101-147-DM1-16	Left Door	1	2/2

FITTINGS LIST

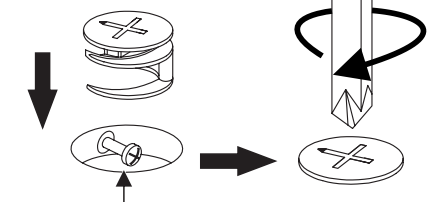
A  Flat Head Screw Ø3,5 x 40mm (18x) 2/+	B  Flan Head Screw Ø3,5 x 30mm (2x) 1/+	C  Flat Head Screw Ø4,0 x 14mm (32x) 2/+	
D  Flan Head Screw Ø4,0 x 20mm (4x) 1/+	E  Nail 10 x 10 (66x) 5/+	F  Handle (2x)	G  Glue (2x)
H  Hinge Plate (6x)	I  Hinge (6x)	J  "L" Metallic Support (2x) 1/+	K  Cam Nut (6x) 1/+
L  Cam Bolt (6x) 1/+	M  Hanging Rail Support (2x)	N  Dowel Ø6,0 x 30mm (40x) 2/+	O  Back Panel Bracket (10x) 2/+
P  Plastic Foot (6x) 1/+	Q  Hole Plugs (19x) 2/+	R  Washer (4x) 1/+	S  Door Support (1x)
T  Haging Rail (1x)		U  Strap 200mm (2x)	
V  Back Panel Strip 1128mm (1x)		W  Back Panel Strip 140mm (1x)	
X  Flan Head Screw Ø3,5 x 12mm (2x) 1/+			

TIPS FOR FITTINGS CAM-LOCKS

WHEN FITTING CAM NUT, ENSURE STARTING POSITION IS CORRECT BEFORE YOU INSERT CONNECTING CAM BOLT TURN CLOCKWISE UNTIL SECURE

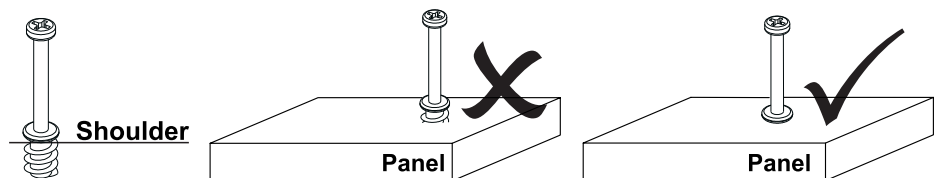


CORRECT WRONG



Cam bolt head needs to be in centre

CAMBOLT
 Tighten until shoulder in flush with panel. Do not overtighten or undertighten (see example beside)



STEP 1

PARTS REQUIRED

7 - DIVISION PANEL x1

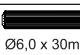
HARDWARE REQUIRED

C  08
Ø4,0 x 14mm

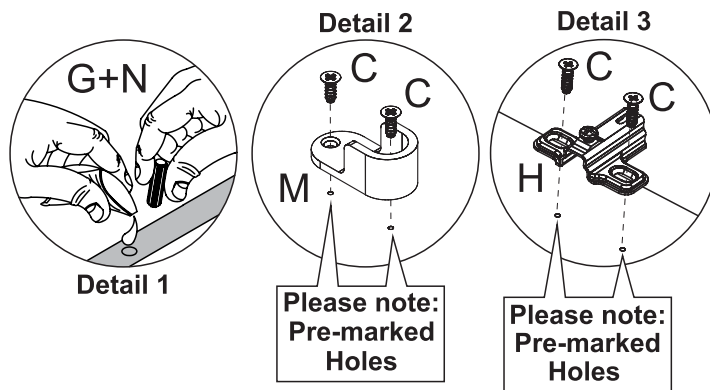
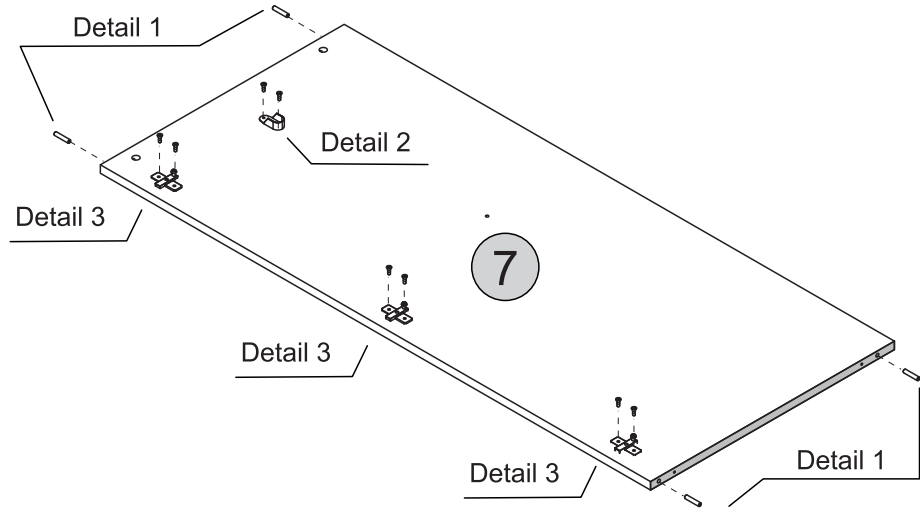
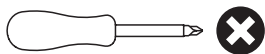
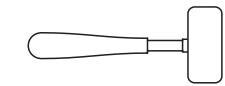
G  01

H  03

M  01

N  04
Ø6,0 x 30mm

TOOLS REQUIRED

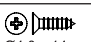



STEP 2

PARTS REQUIRED

4 - RIGHT SIDE PANEL x1

HARDWARE REQUIRED

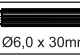
C  08
Ø4,0 x 14mm

E  02

G  01

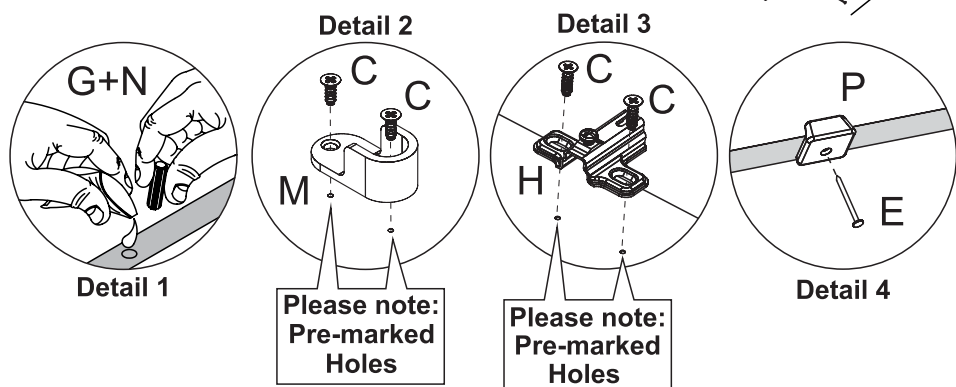
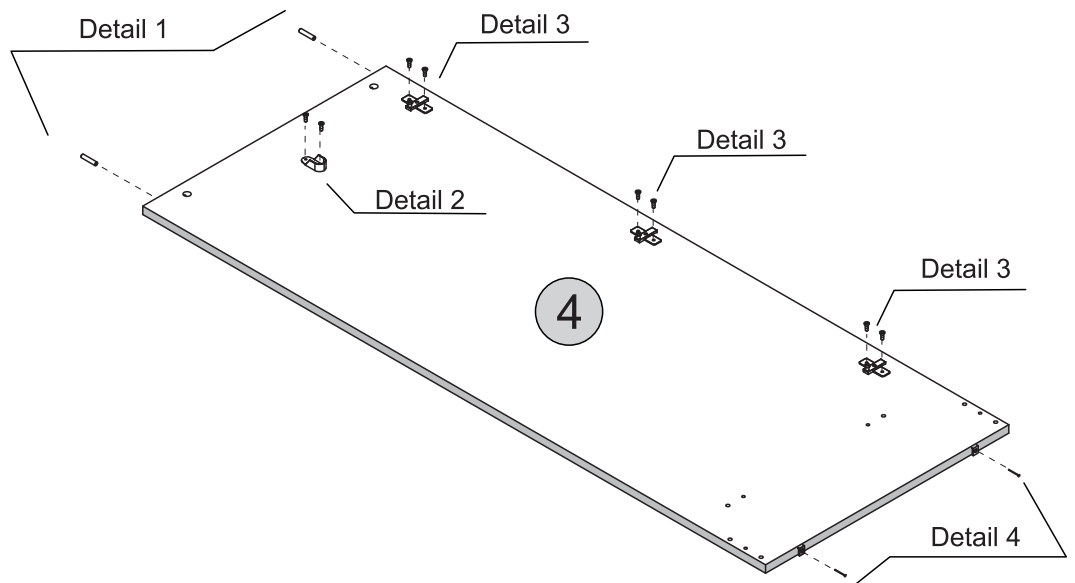
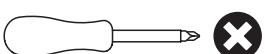
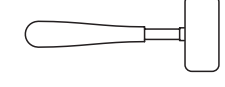
H  03

M  01

N  02
Ø6,0 x 30mm

P  02

TOOLS REQUIRED



STEP 3

PARTS REQUIRED


1 - FRONT BASEBOARD x1


2 - BACK BASEBOARD x1

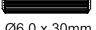
3 - LEFT BASEBOARD x1

6 - LEFT SIDE PANEL x1

HARDWARE REQUIRED

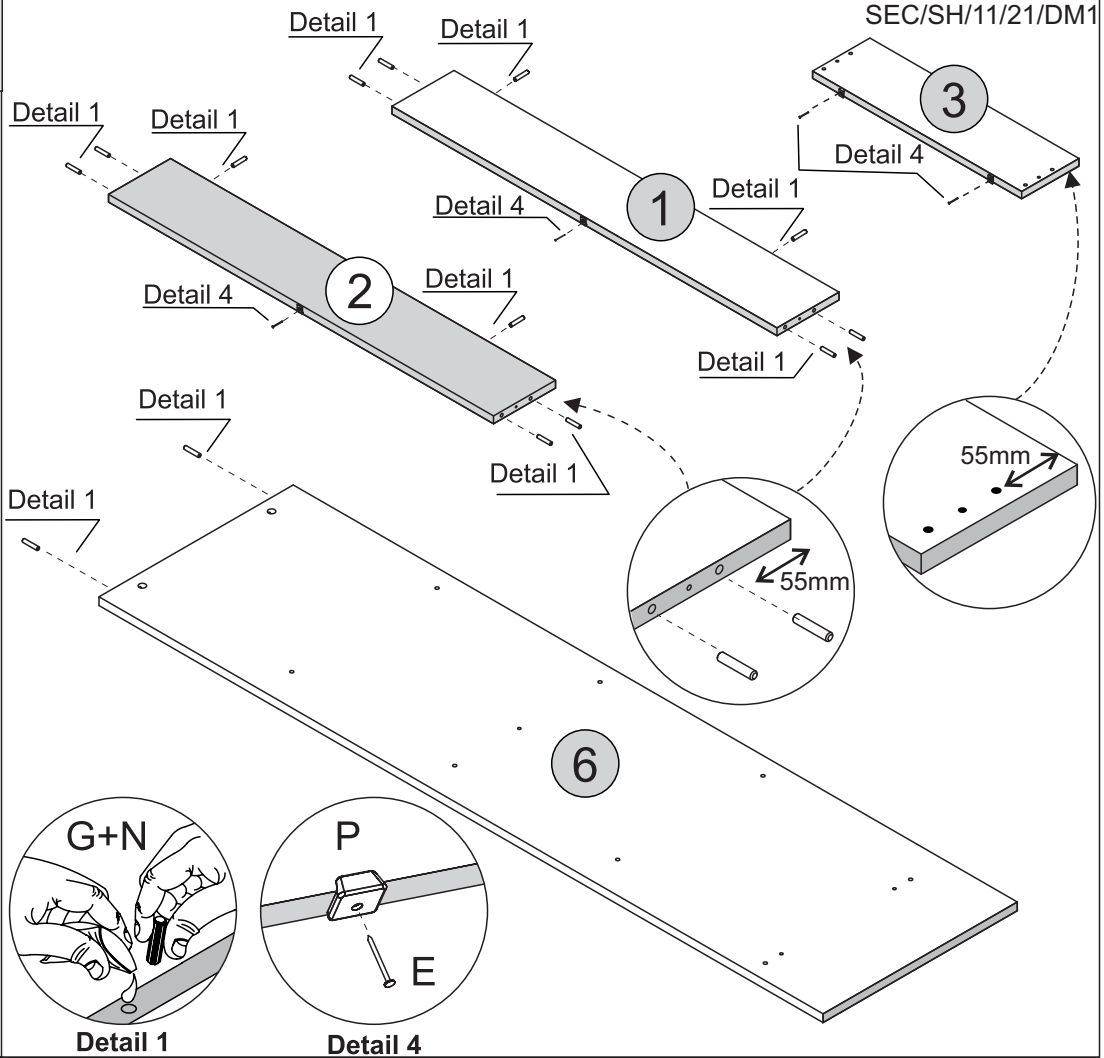
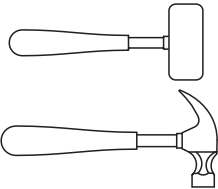
E  04

G  01

N  Ø6,0 x 30mm 14

P  04

TOOLS REQUIRED



STEP 4

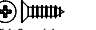
PARTS REQUIRED


5 - BASE PANEL x1

8 - SHELF x3

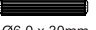
11 - SMALL DIVISION PANEL x1

HARDWARE REQUIRED

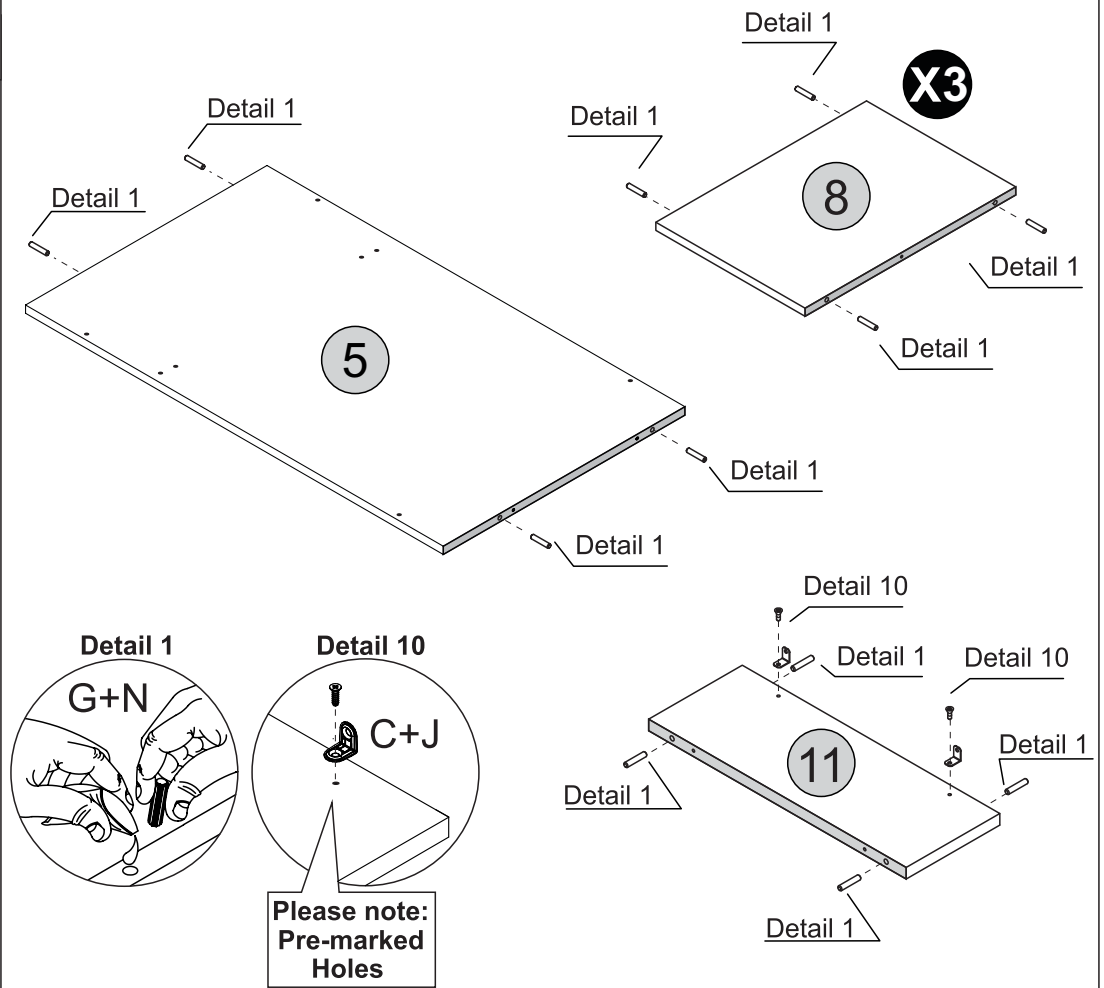
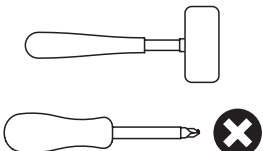
C  Ø4,0 x 14mm 02

G  01

J  02

N  Ø6,0 x 30mm 20

TOOLS REQUIRED




STEP 5

PARTS REQUIRED

9 - CENTRE TOP x1

10 - TOP PANEL x1

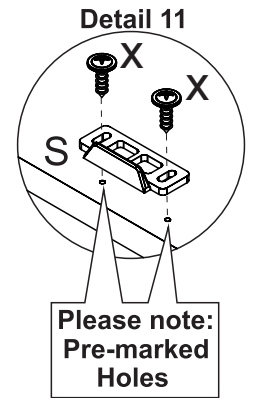
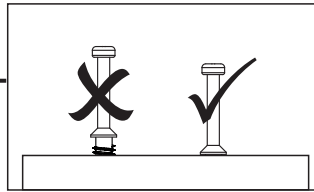
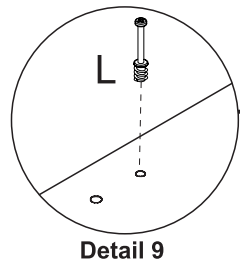
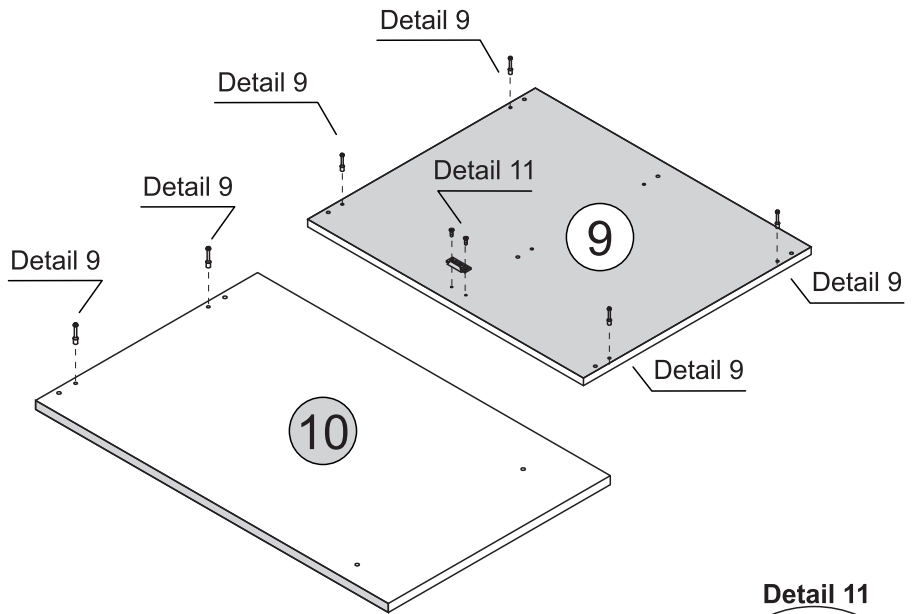
HARDWARE REQUIRED

X  02
Ø3,5 x 12mm

L  06

S  01

TOOLS REQUIRED



STEP 6

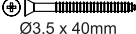
PARTS REQUIRED

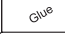
1 - FRONT BASEBOARD x1

2 - BACK BASEBOARD x1

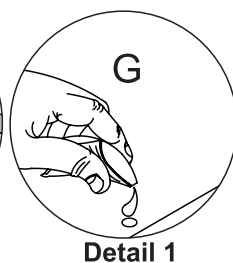
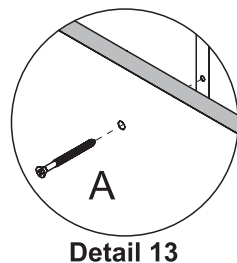
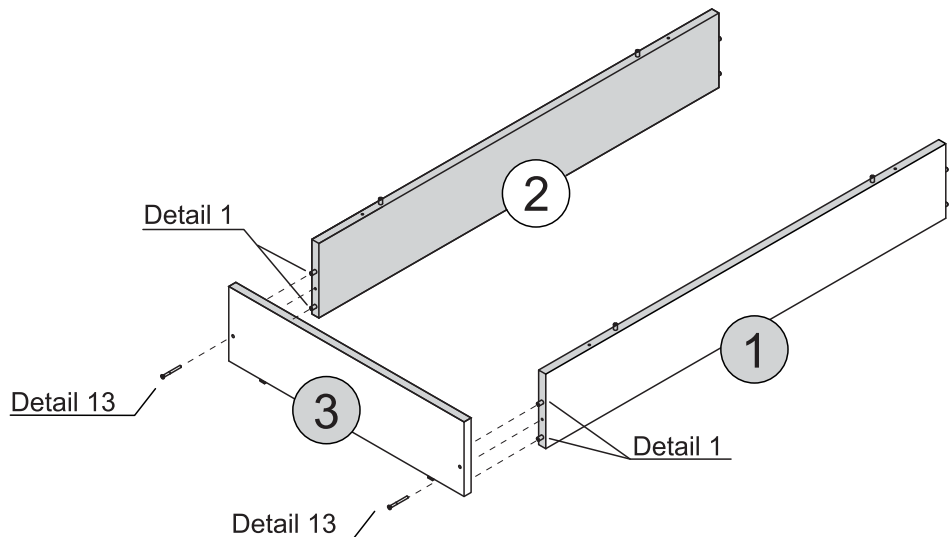
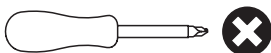
3 - LEFT BASEBOARD x1

HARDWARE REQUIRED

A  02
Ø3,5 x 40mm

G  01

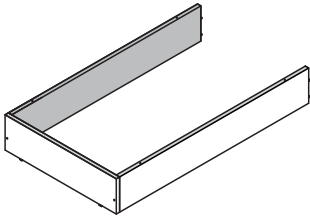
TOOLS REQUIRED



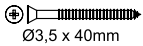
STEP 7

PARTS REQUIRED

5 - BASE PANEL x1

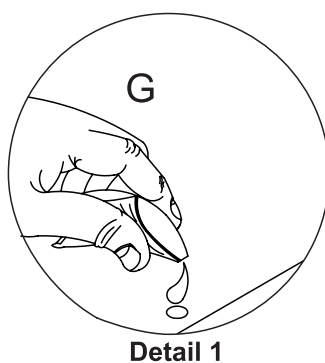
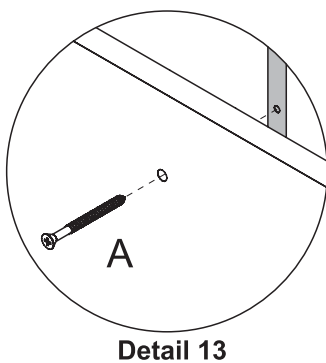
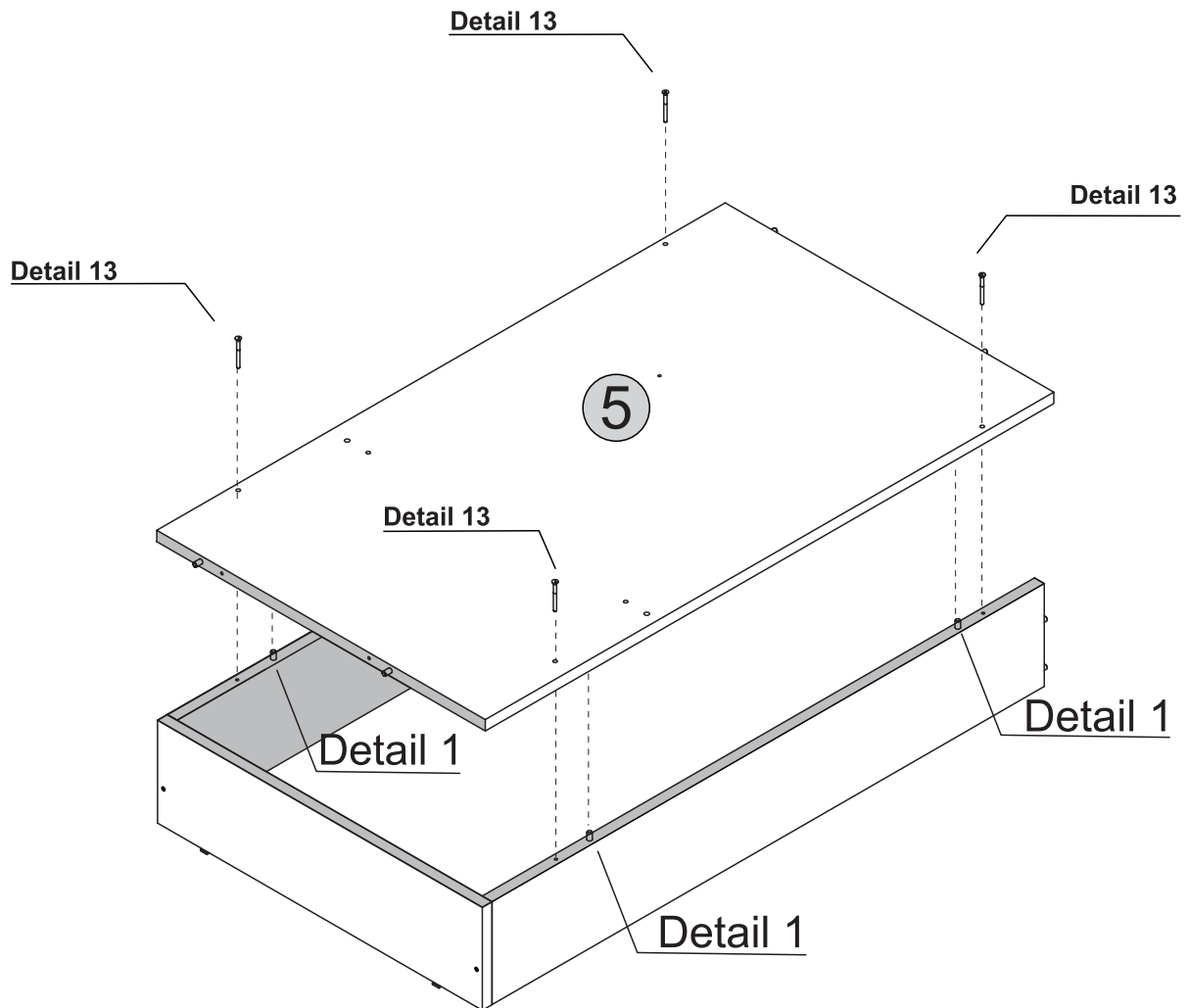
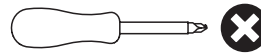


HARDWARE REQUIRED

A  04
Ø3,5 x 40mm

G  01

TOOLS REQUIRED

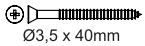



STEP 8

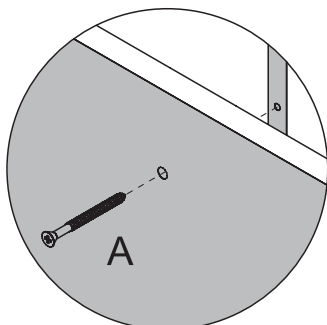
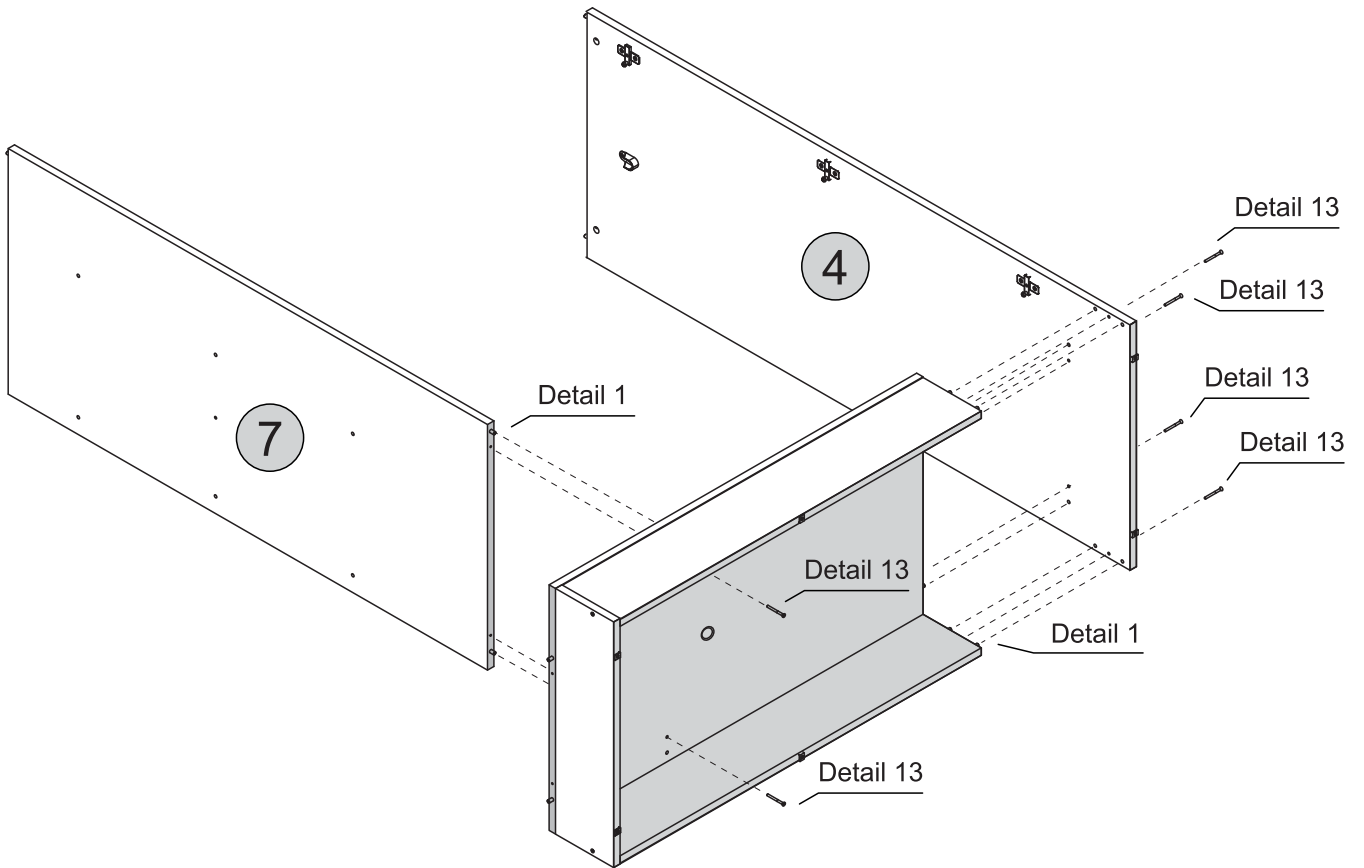
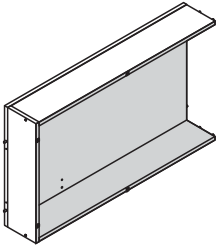
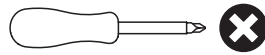
PARTS REQUIRED

- 4 - RIGHT SIDE PANEL x1
- 7 - DIVISION PANEL x1

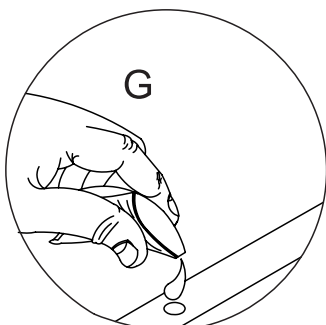
HARDWARE REQUIRED

- A  06
Ø3,5 x 40mm
- G  01

TOOLS REQUIRED



Detail 13

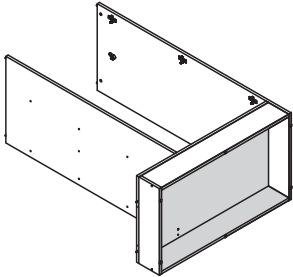


Detail 1

STEP 9

PARTS REQUIRED

9 - CENTRE TOP x1



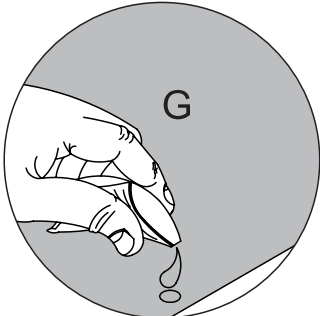
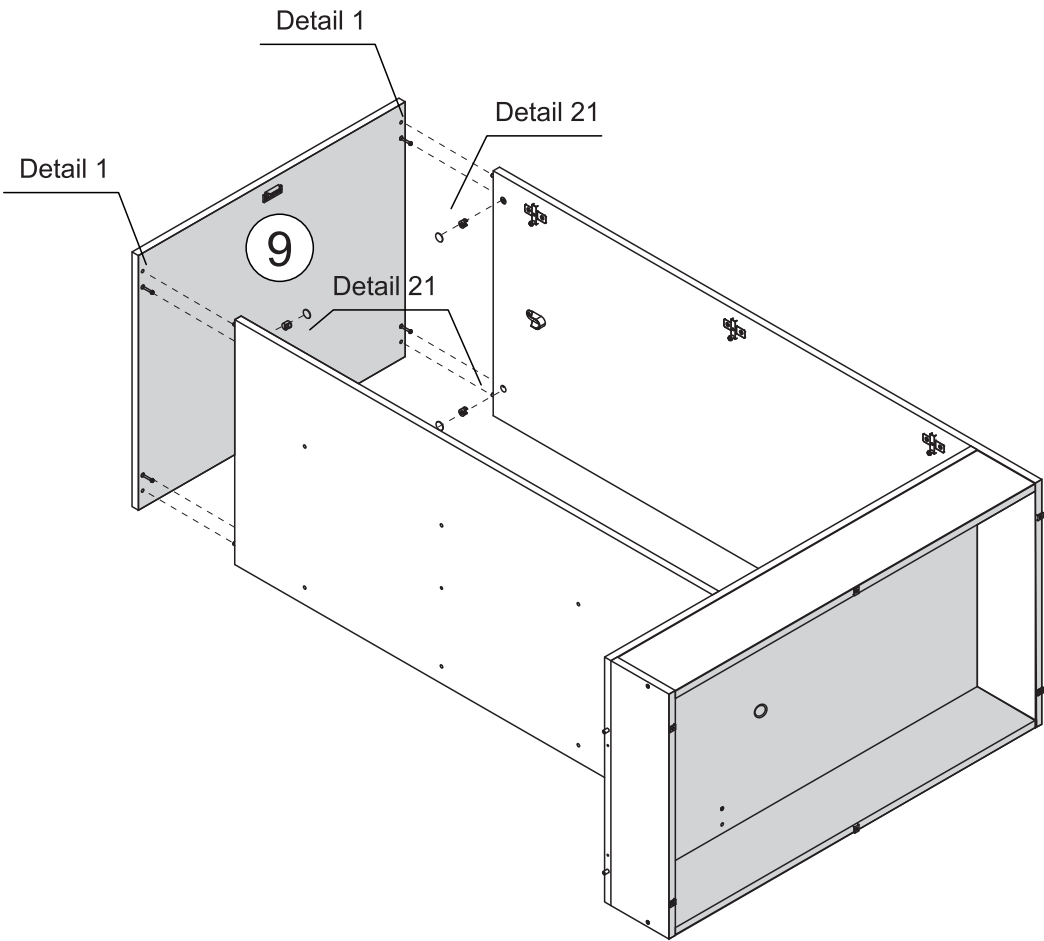
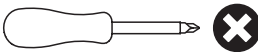
HARDWARE REQUIRED

G  01

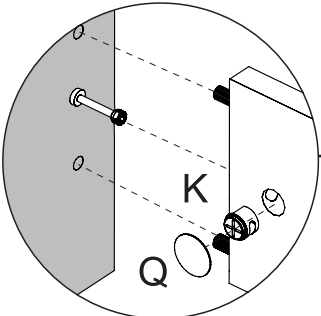
K  04

Q  04

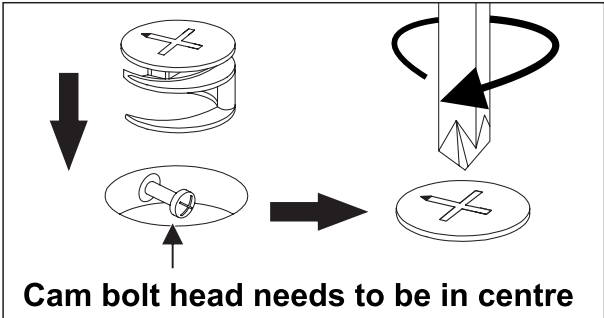
TOOLS REQUIRED



Detail 1



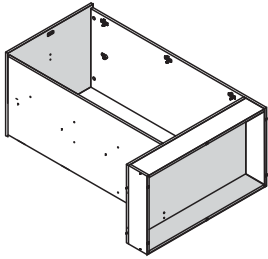
Detail 21





STEP 10

PARTS REQUIRED

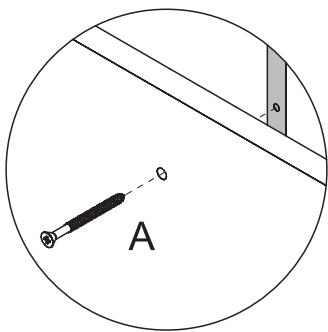
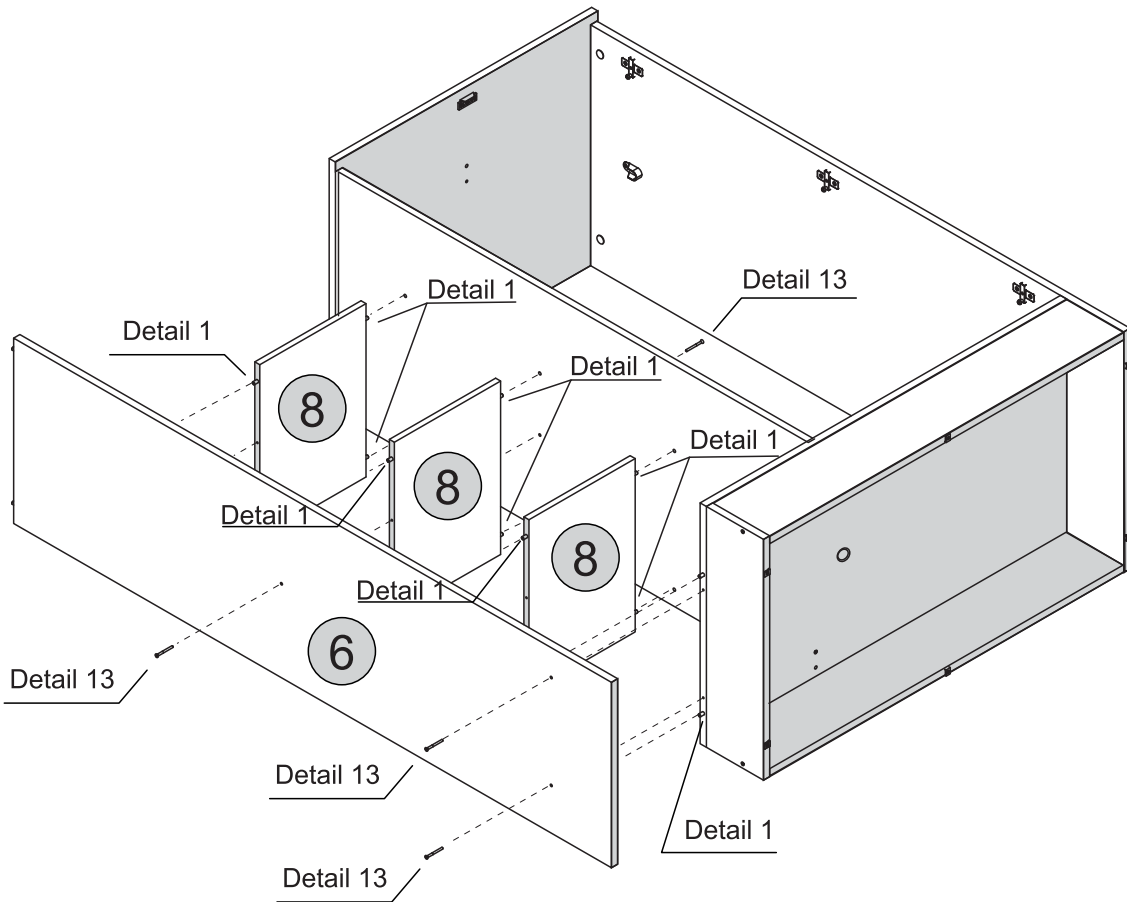
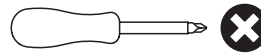
- 6 - LEFT SIDE PANEL x1
- 8 - SHELF x3



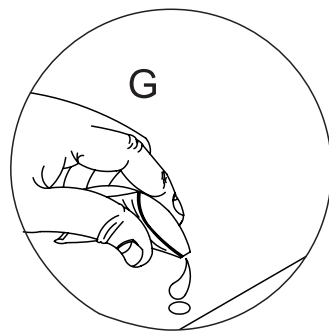
HARDWARE REQUIRED

- A  Ø3,5 x 40mm 04
- G  01

TOOLS REQUIRED



Detail 13



Detail 1

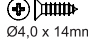
STEP 11


PARTS REQUIRED

10 - TOP PANEL x1

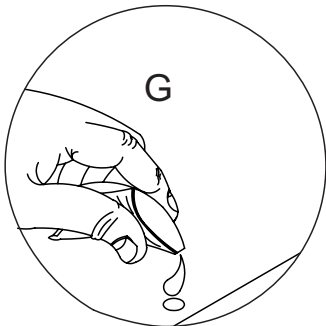
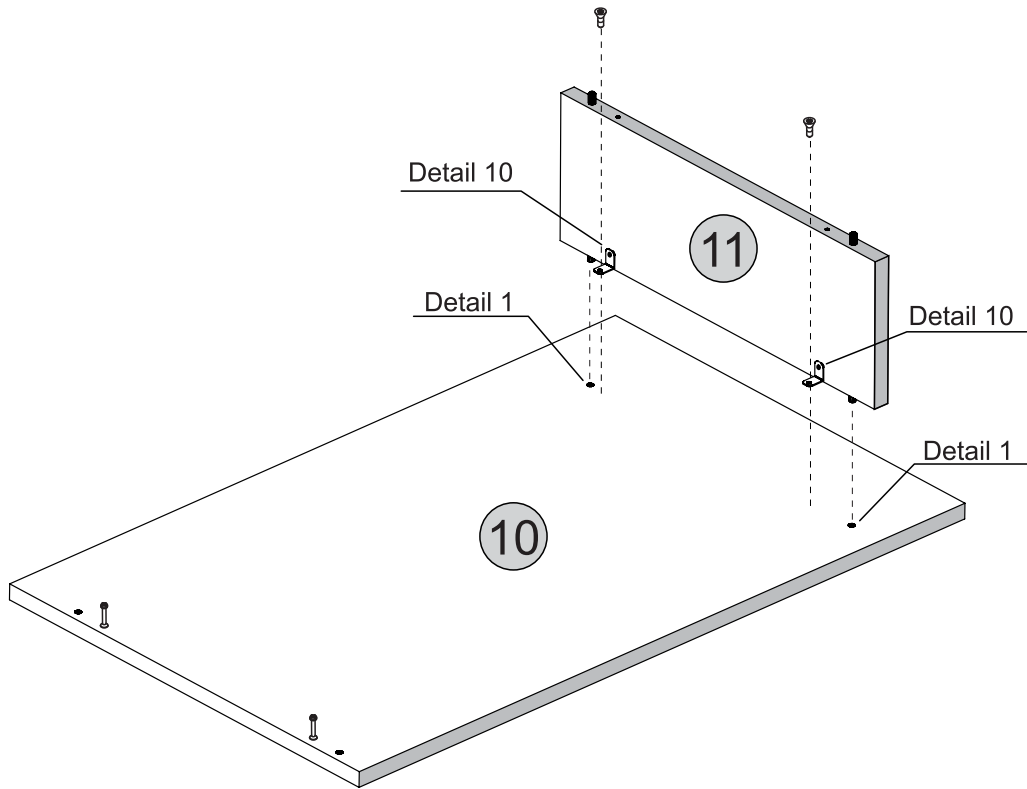
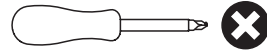
11 - SMALL DIVISION PANEL x1

HARDWARE REQUIRED

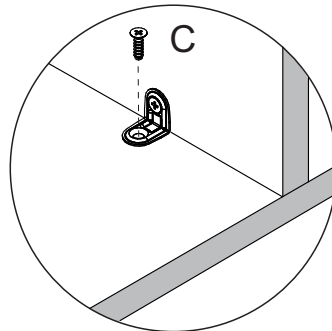
C  02
Ø4,0 x 14mm

G  01
Glue

TOOLS REQUIRED



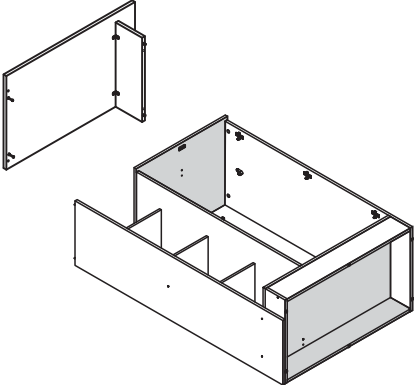
Detail 1







Detail 10

STEP 12

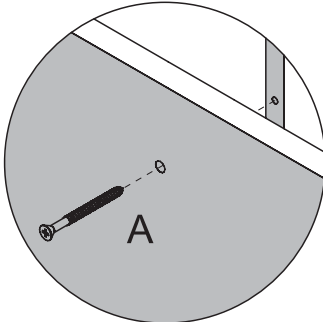
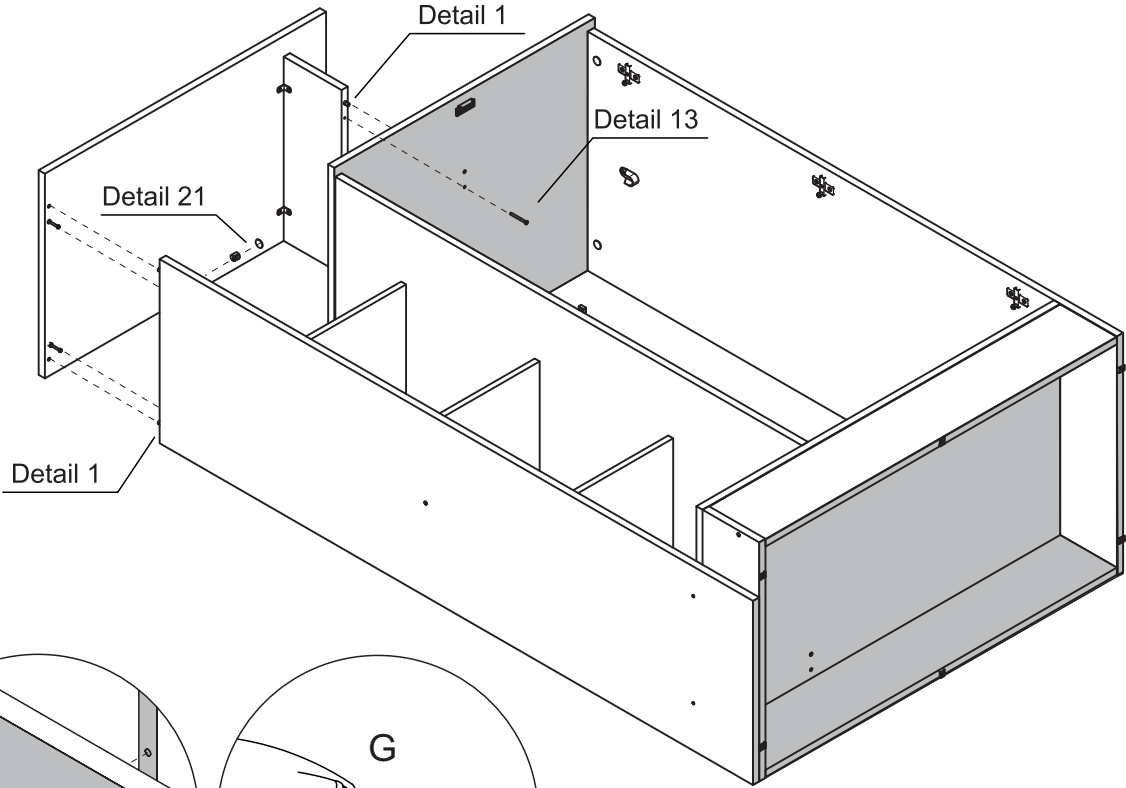
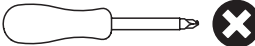
PARTS REQUIRED



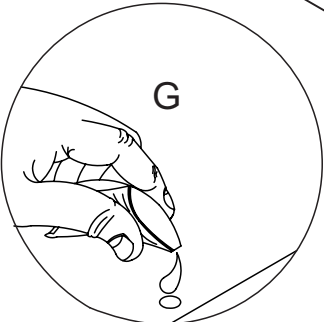
HARDWARE REQUIRED

A	 Ø3,5 x 40mm	02
G	 Glue	01
K		02
Q		02

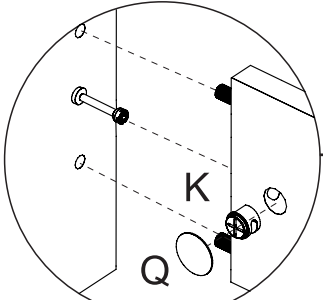
TOOLS REQUIRED



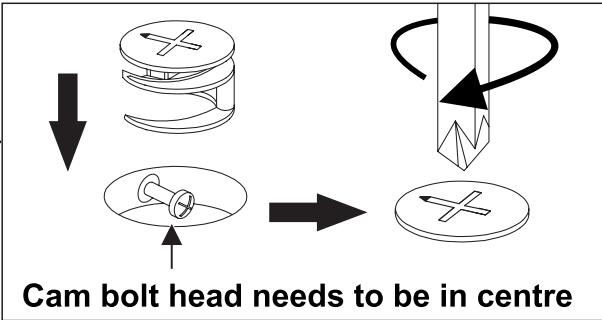
Detail 13



Detail 1



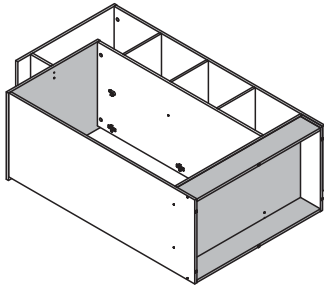
Detail 21



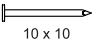
STEP 13

PARTS REQUIRED

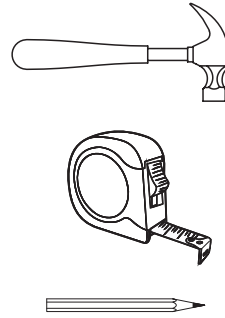
12 - LARGE BACK PANEL x1



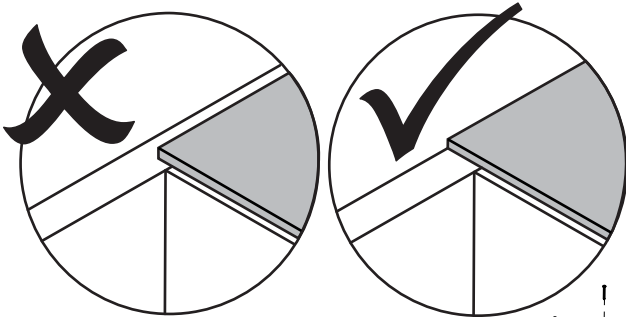
HARDWARE REQUIRED

E  21
10 x 10

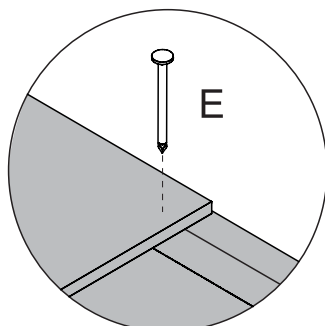
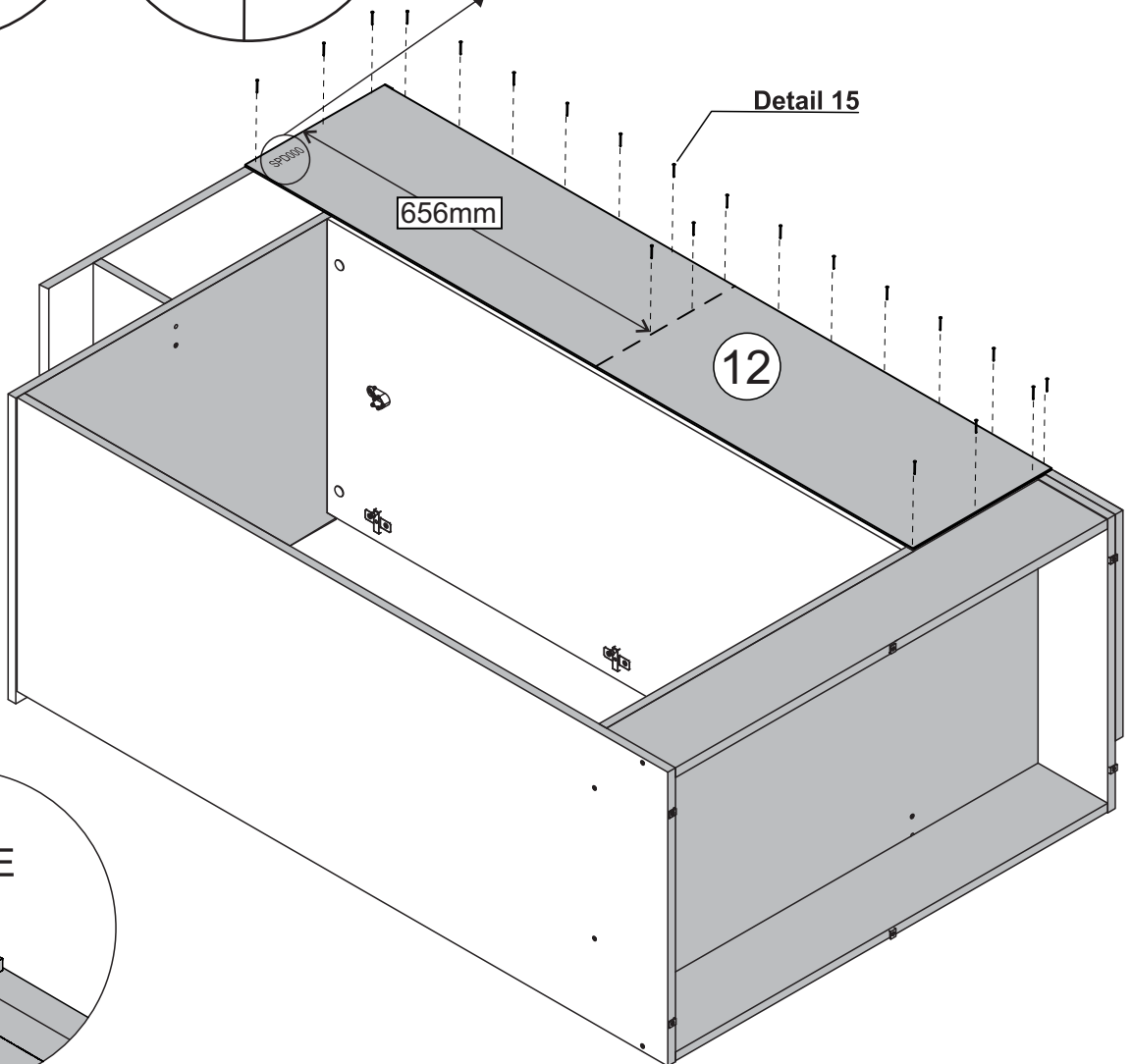
TOOLS REQUIRED



Part 12 assembly, must be lined up with the edge of parts 6 and 10.



* For your future reference Order Number should be here

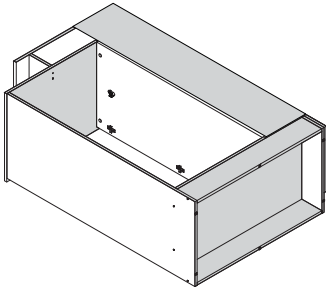


Detail 15

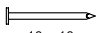
STEP 14

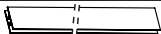
PARTS REQUIRED

14 - SMALL BACK PANEL x1

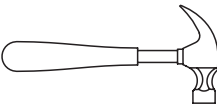


HARDWARE REQUIRED

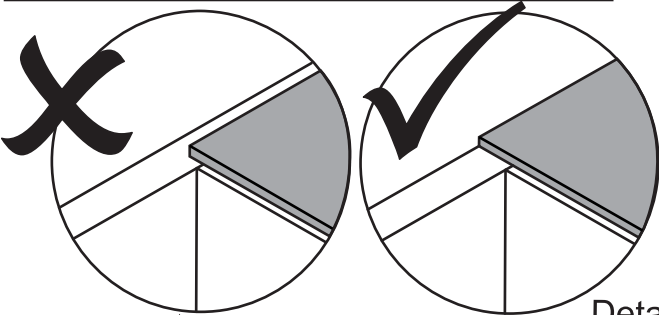
E  10 x 10 05

W  140mm 01

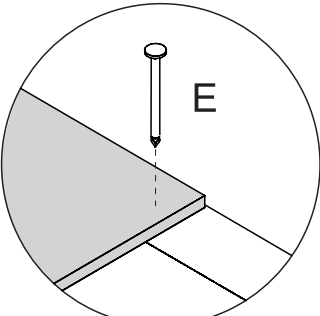
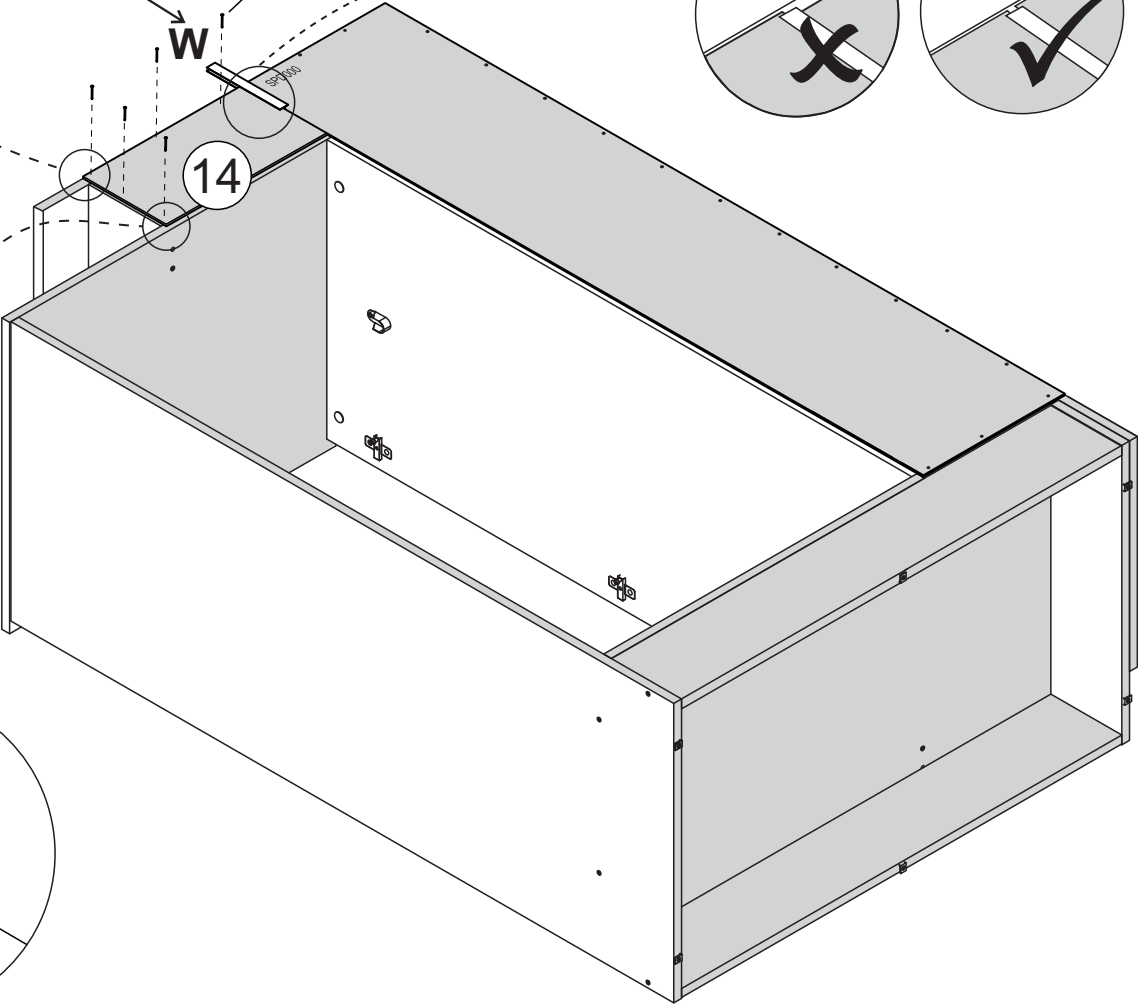
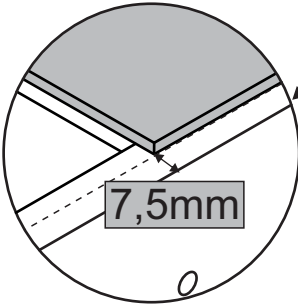
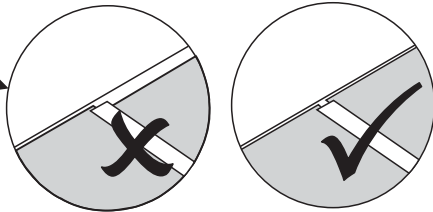
TOOLS REQUIRED



Part 14 assembly, must be lined up with the edge of part 10.



Detail 15

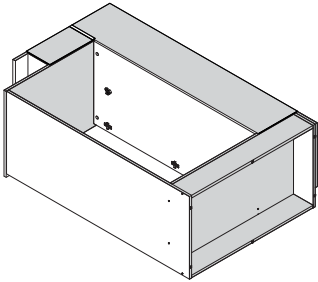


Detail 15

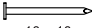

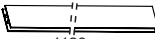
STEP 15

PARTS REQUIRED

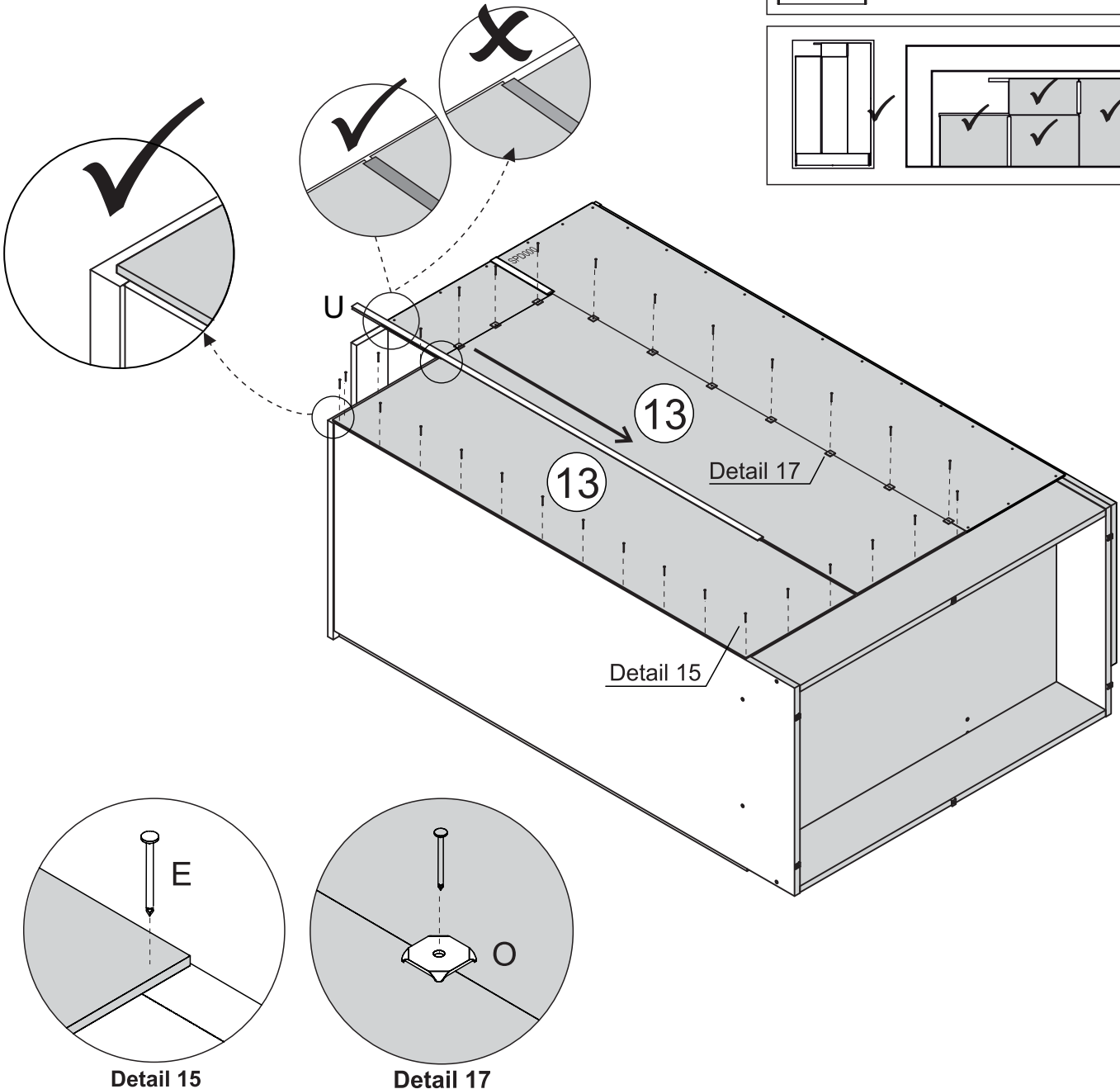
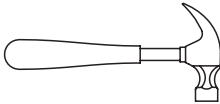
13 - MEDIUM BACK PANEL x2



HARDWARE REQUIRED

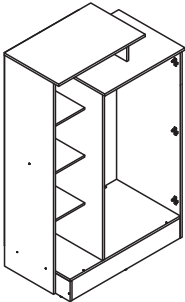
- E  10 x 10 29
- O  10
- V  1128mm 01

TOOLS REQUIRED

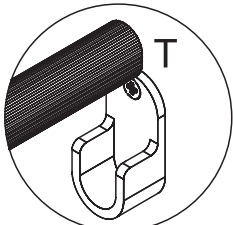
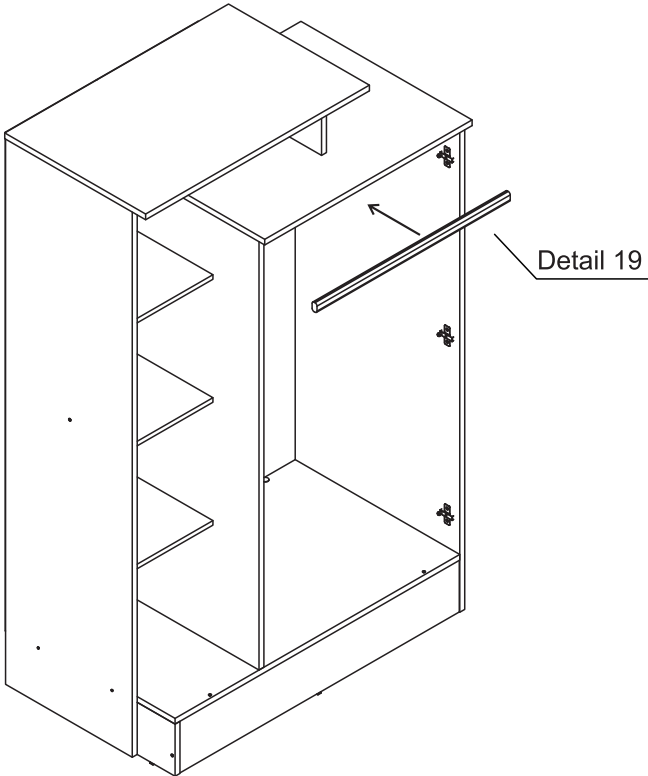


STEP 16

PARTS REQUIRED



HARDWARE REQUIRED



Detail 19

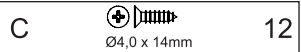
STEP 17

PARTS REQUIRED

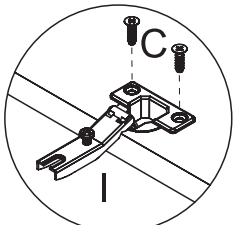
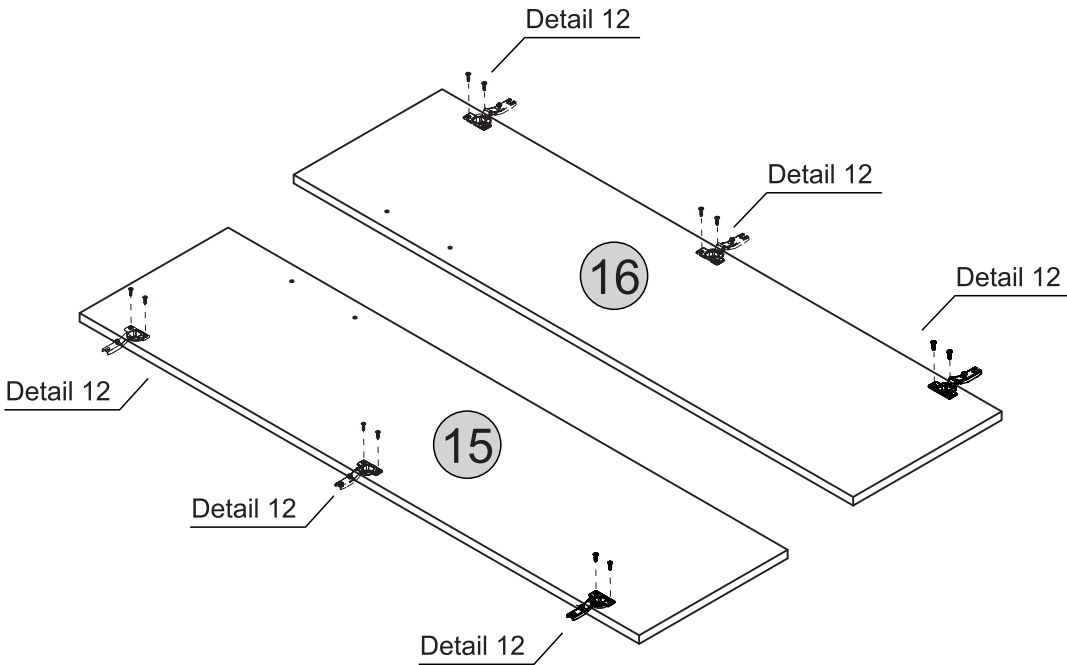
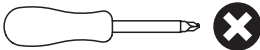
15 - RIGHT DOOR x1

16 - LEFT DOOR x1

HARDWARE REQUIRED



TOOLS REQUIRED



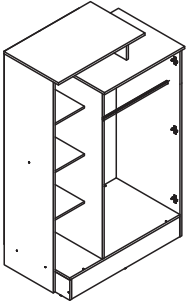
Detail 12

STEP 18

PARTS REQUIRED

15 - RIGHT DOOR x1

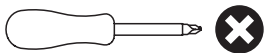
16 - LEFT DOOR x1



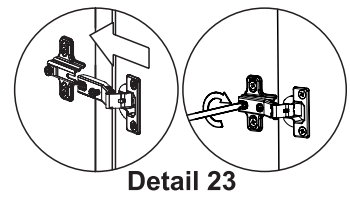
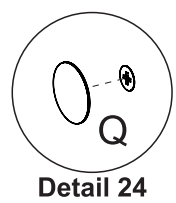
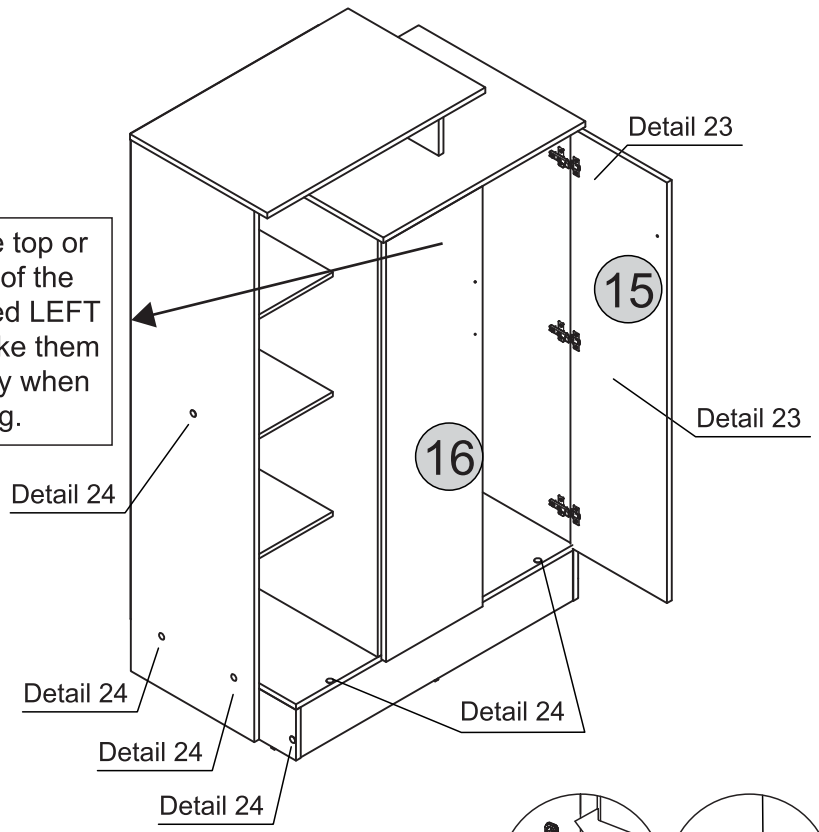
HARDWARE REQUIRED

Q  13

TOOLS REQUIRED

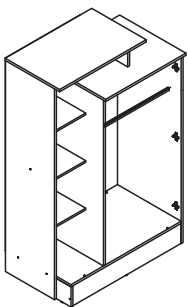


!
Please note the top or bottom edges of the doors are labelled LEFT or RIGHT to make them easier to identify when assembling.

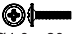


STEP 19

PARTS REQUIRED

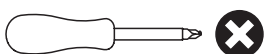


HARDWARE REQUIRED


D  Ø4,0 x 20mm 04

F  02

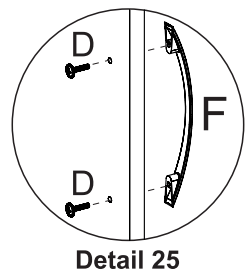
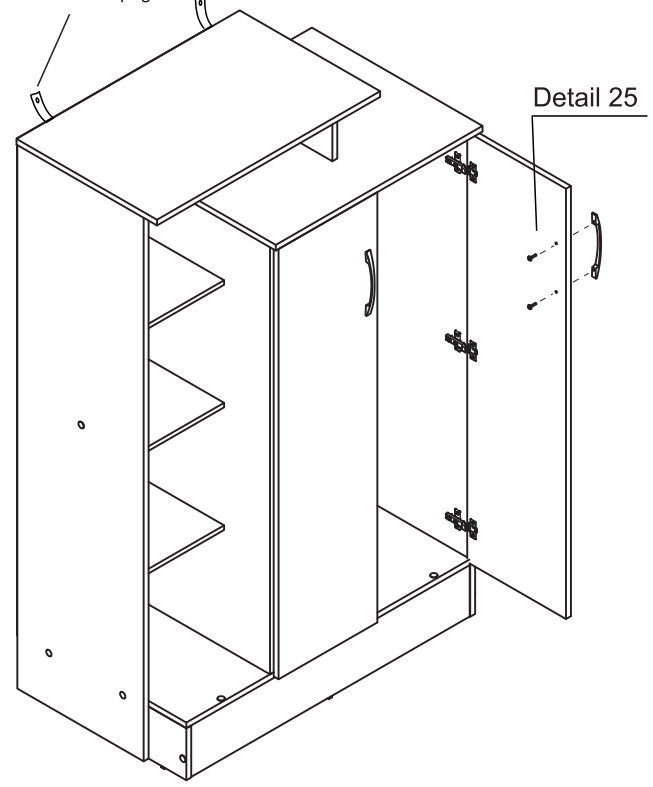
TOOLS REQUIRED



TIP
If desired, after assembly use an alcohol cleaner to erase the number printed on the parts.

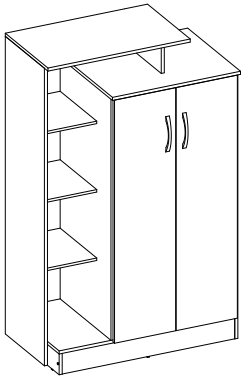


!
See the last page

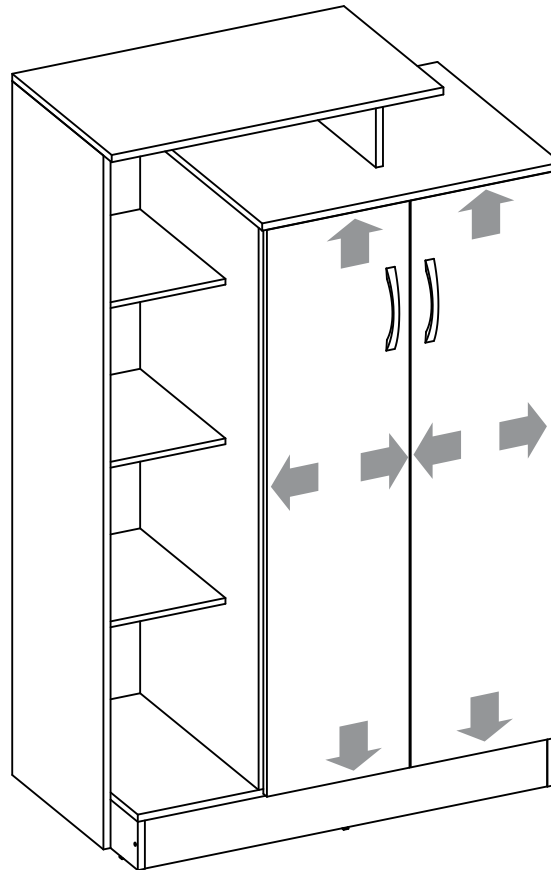
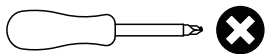


STEP 20

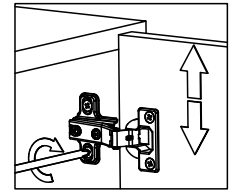
PARTS REQUIRED



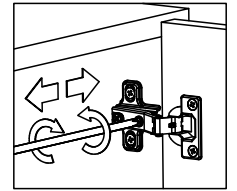
TOOLS REQUIRED



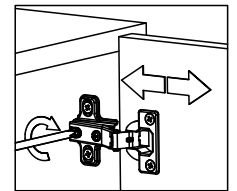
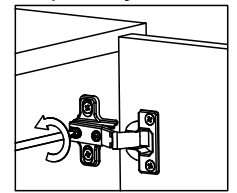
Height Adjustment



Internal Adjustment



Depth Adjustment



WARNING

Serious or fatal injuries can occur from furniture tipping over. To prevent the furniture from tipping over we recommend that it is permanently fixed to the wall.

Wall fixings are not supplied with this product as different wall materials require different types of fixing devices.

Please make sure you use fixings suitable for the walls in your home.

