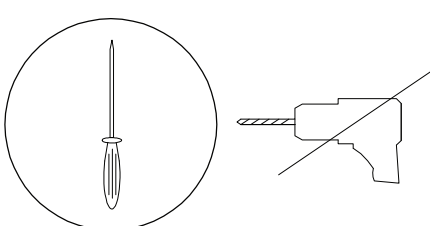
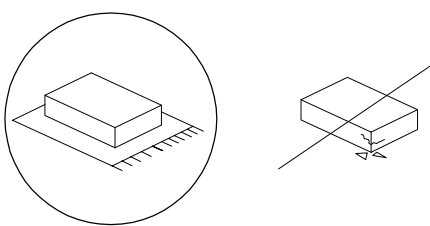


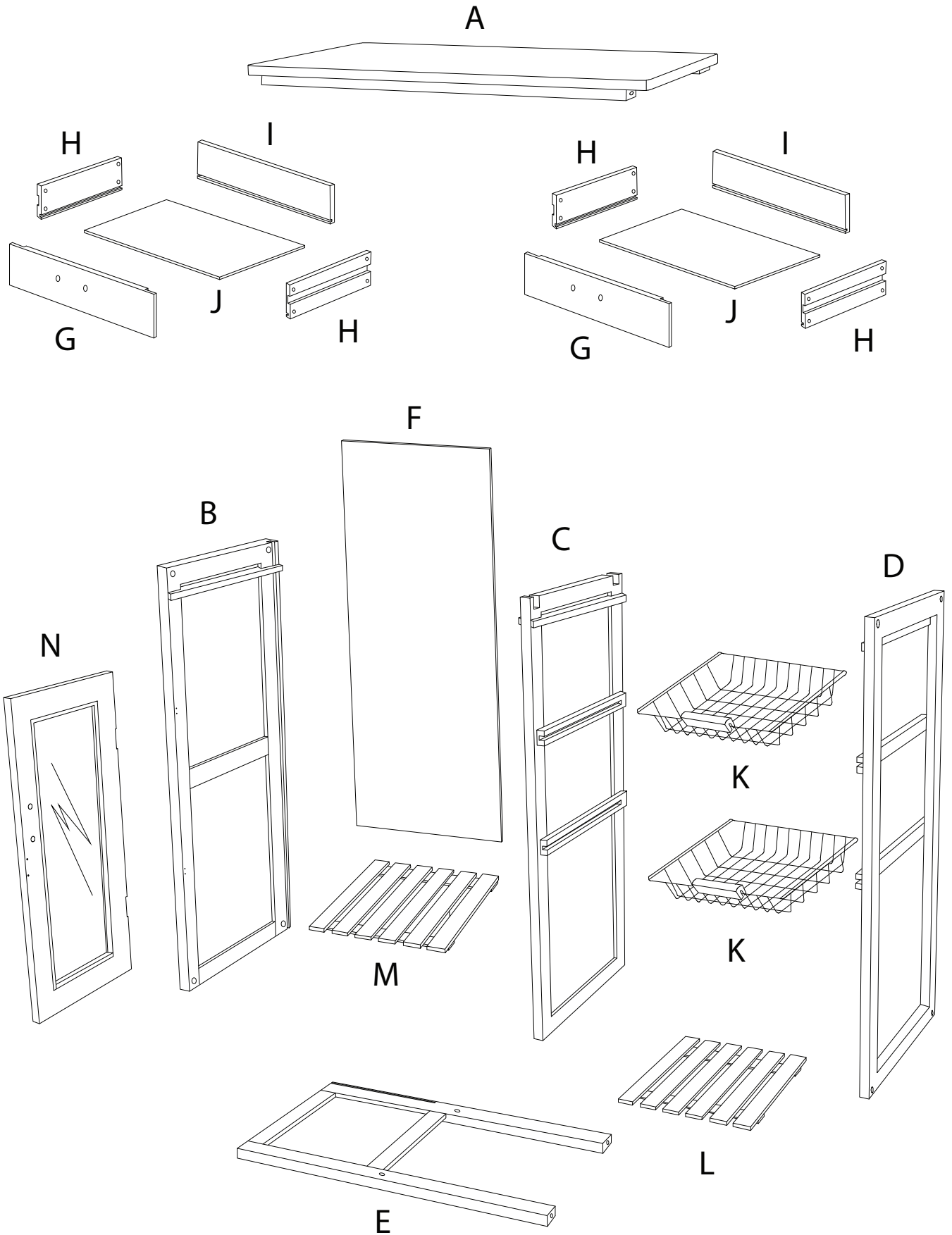
!  !

30'

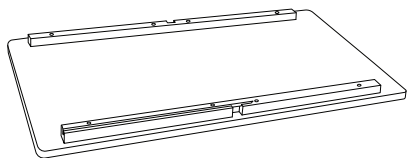
!  !

1

The diagram contains two rows of icons. The top row shows a screwdriver and a power drill with a diagonal line through it, indicating that a power drill should not be used. To the right of this row is a clock icon with the number '30'' below it, indicating a 30-minute assembly time. The bottom row shows a rectangular block on a textured surface and a block being cut by a saw with a diagonal line through it, indicating that the block should not be cut. To the right of this row is a person icon with the number '1' below it, indicating that one person is required for assembly. A large exclamation mark in a triangle is positioned above each row of icons.

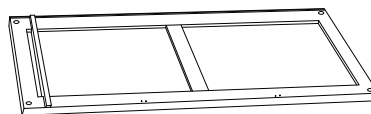


A



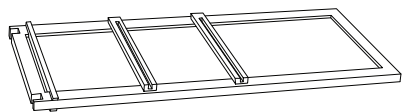
x1

B



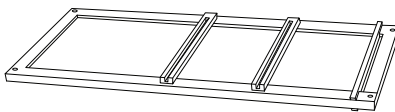
x1

C



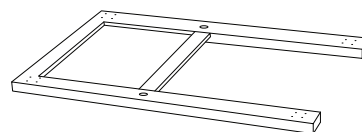
x1

D



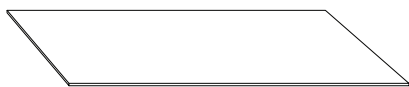
x1

E



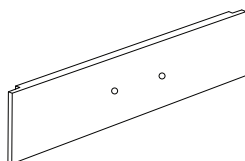
x1

F



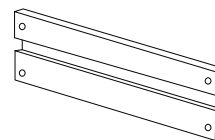
x1

G



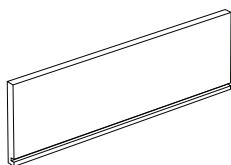
x2

H



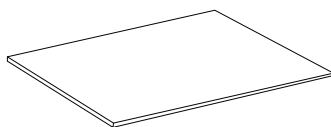
x2

I



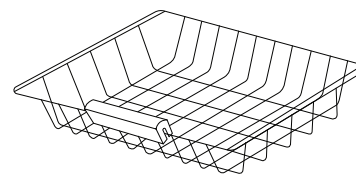
x2

J



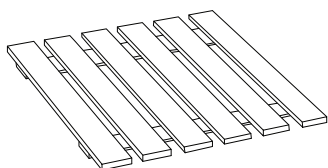
x2

K



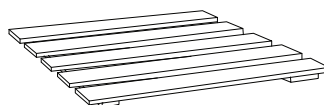
x2

L



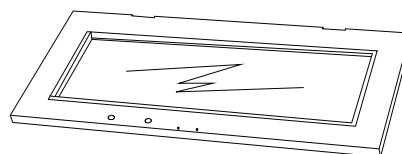
x1

M


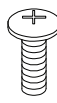
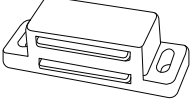
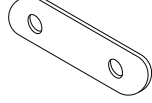
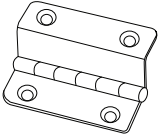

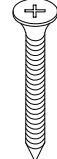
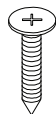
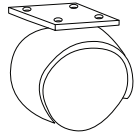
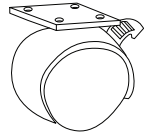


x1

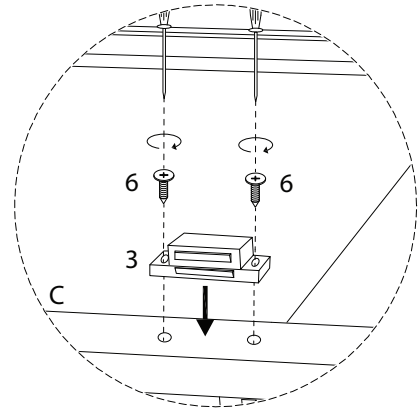
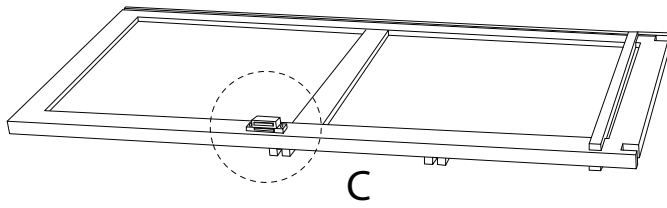
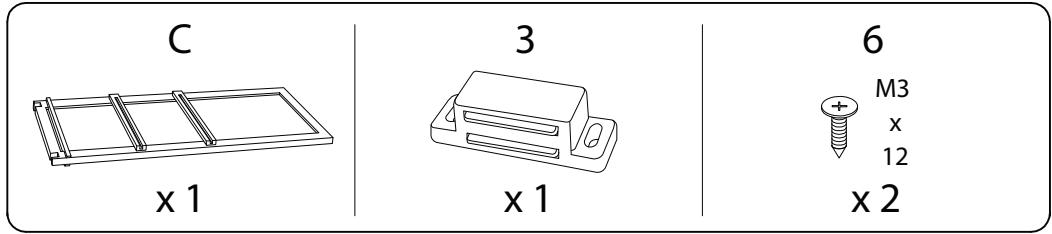
N



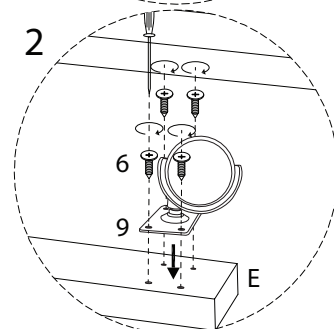
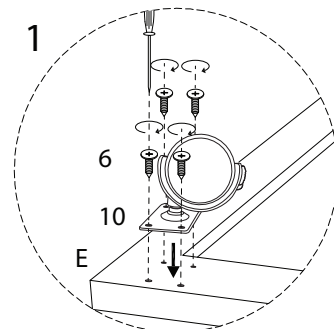
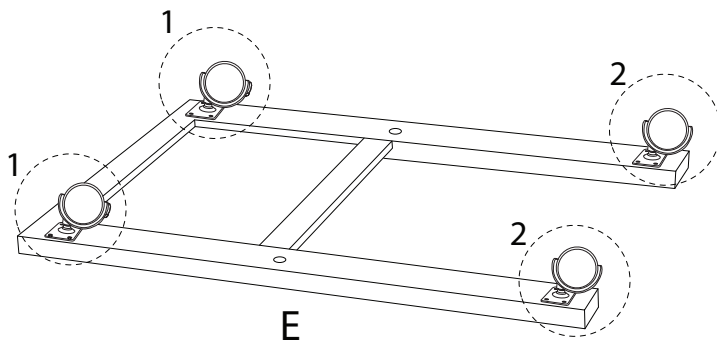
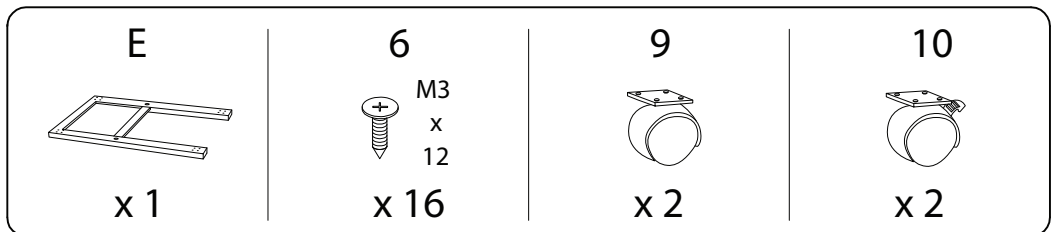
x1

<p>1</p>  <p>x 3</p>	<p>2</p>  <p>M4 x 16</p> <p>x 6</p>	<p>3</p>  <p>x 1</p>	<p>4</p>  <p>x 1</p>	<p>5</p>  <p>x 2</p>
<p>6</p>  <p>M3 x 12</p> <p>x 28</p>	<p>7</p>  <p>M5 x 40</p> <p>x 10</p>	<p>8</p>  <p>M3 x 25</p> <p>x 16</p>	<p>9</p>  <p>x 2</p>	<p>10</p>  <p>x 2</p>

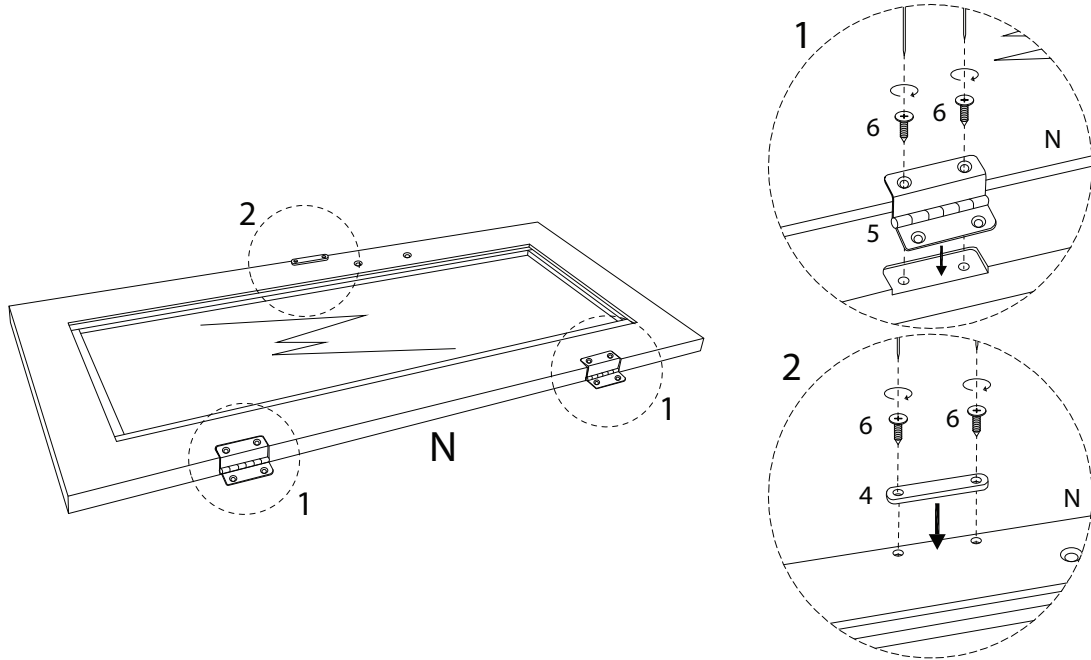
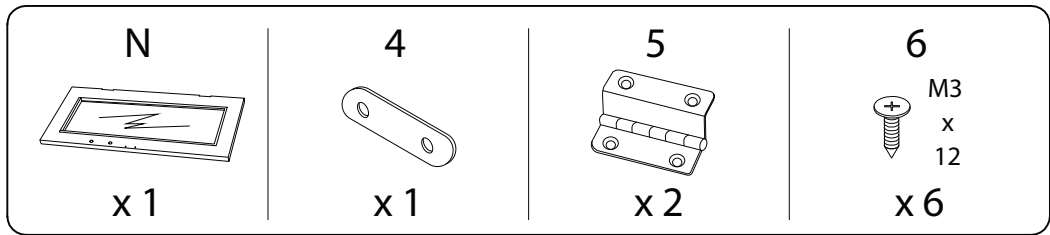
1



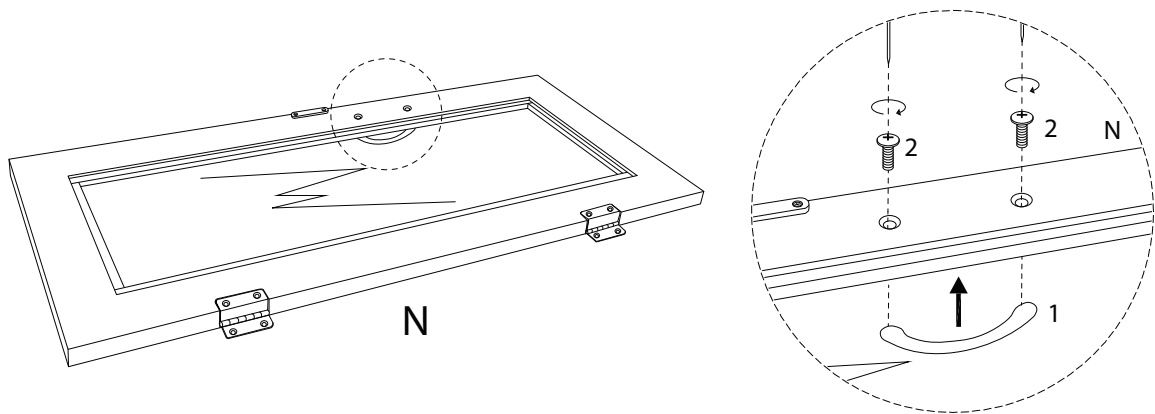
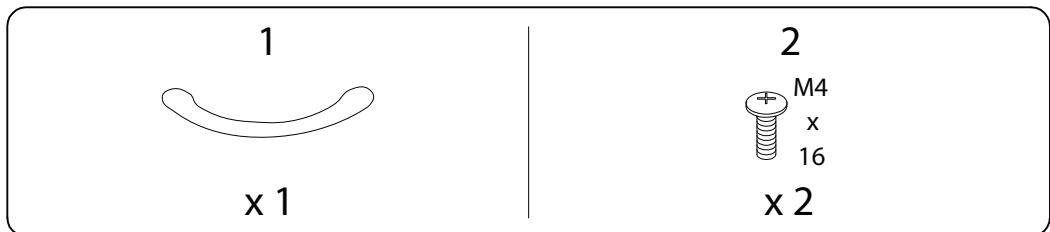
2



3

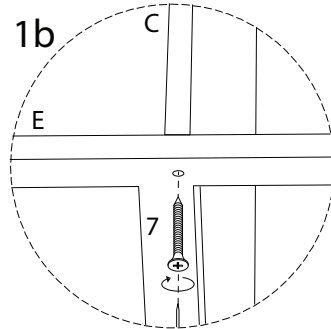
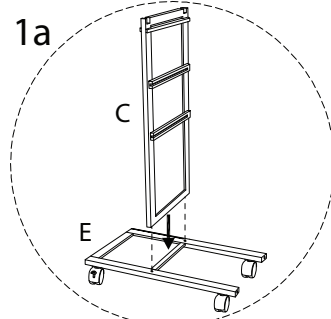
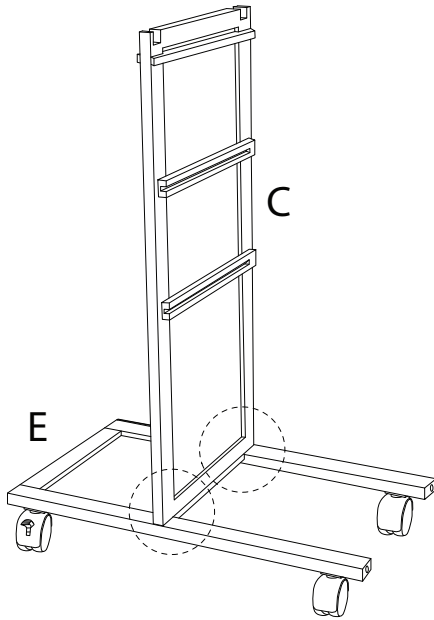


4

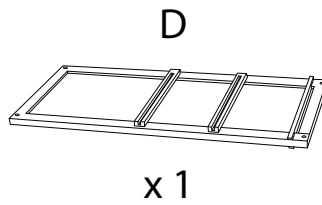
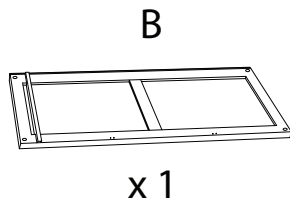


5

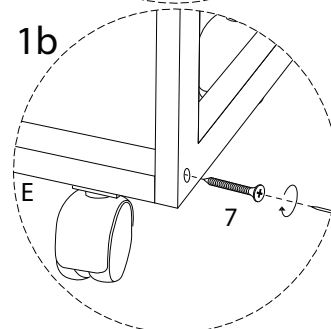
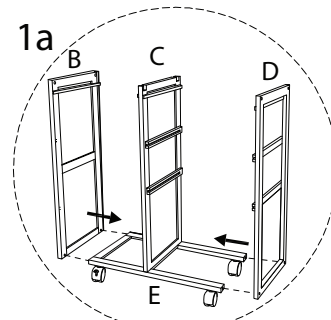
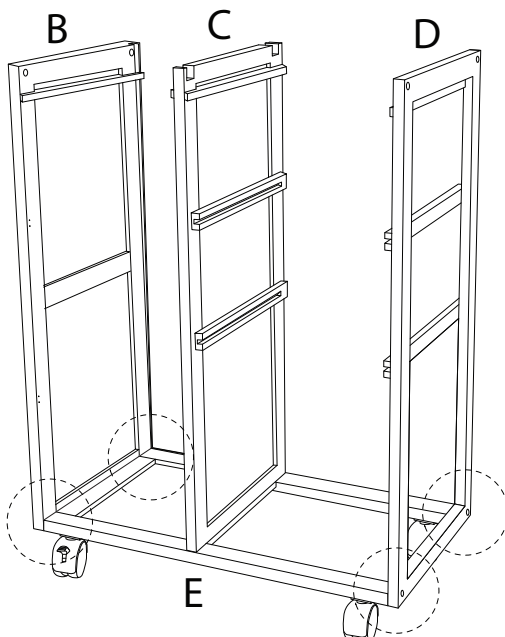
7  
M5  
x  
40  
x 2



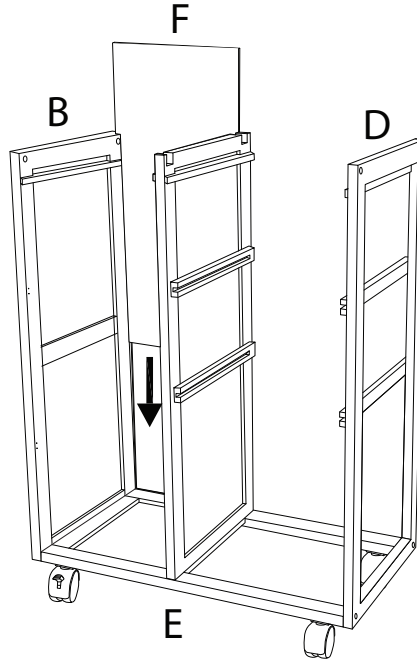
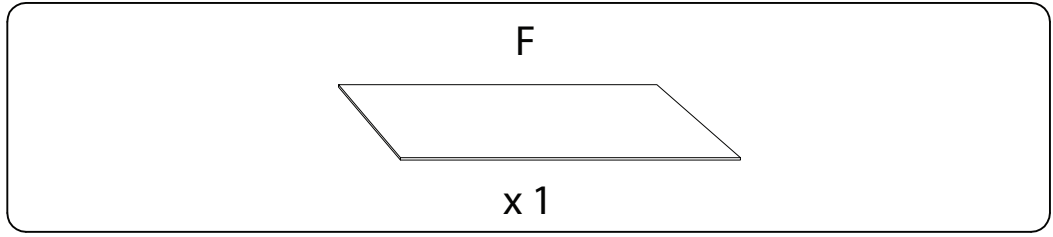
6



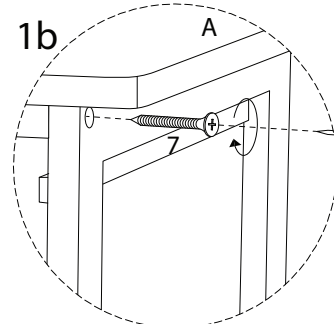
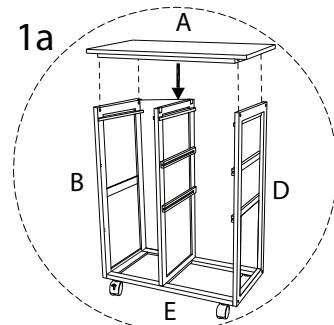
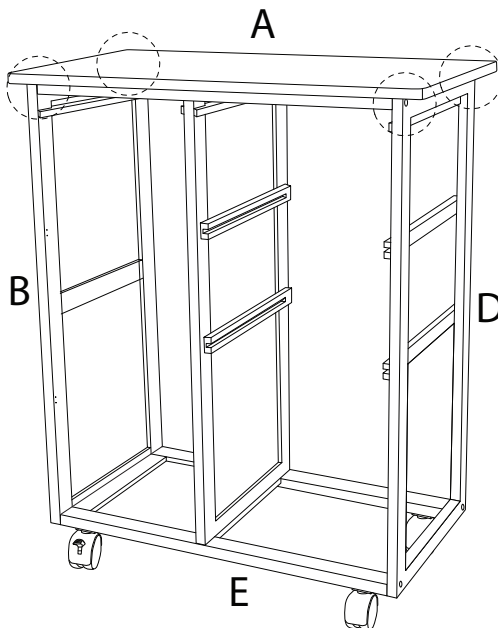
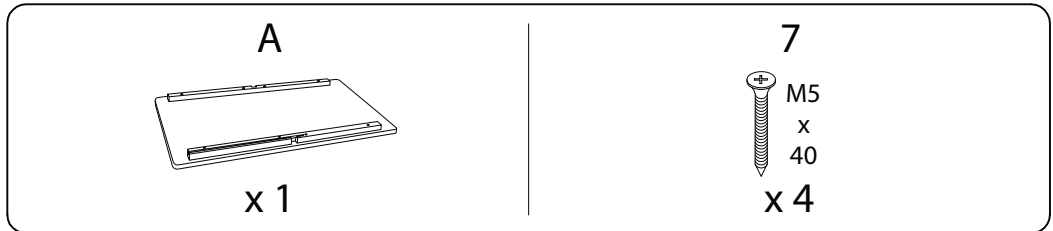
7  
M5  
x  
40  
x 4



7

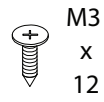


8

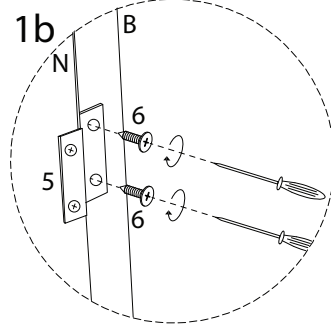
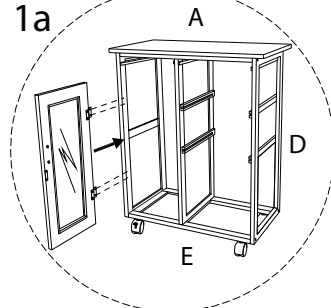
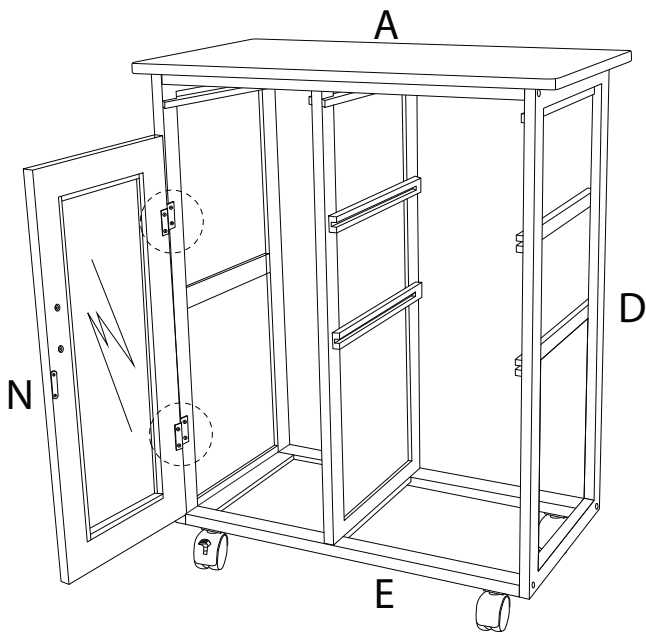


9

6

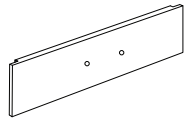


x 4



10 x 2

G



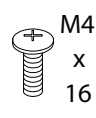
x 1

1

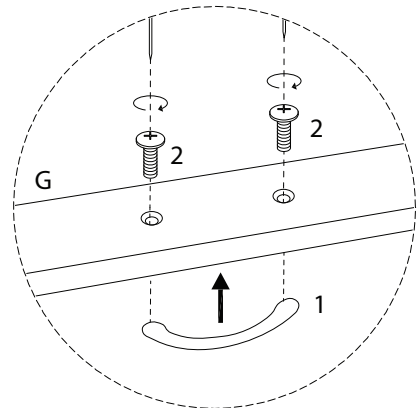
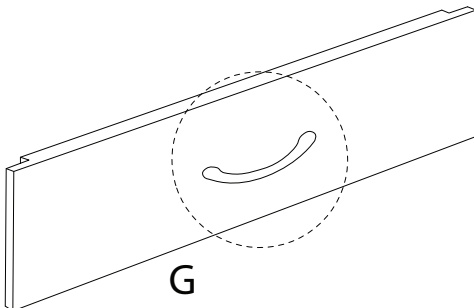


x 1

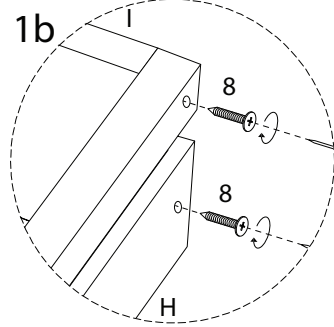
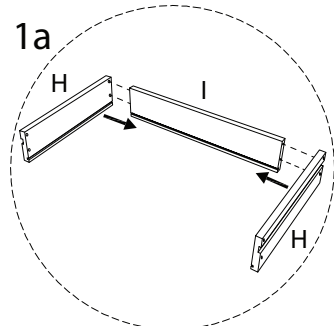
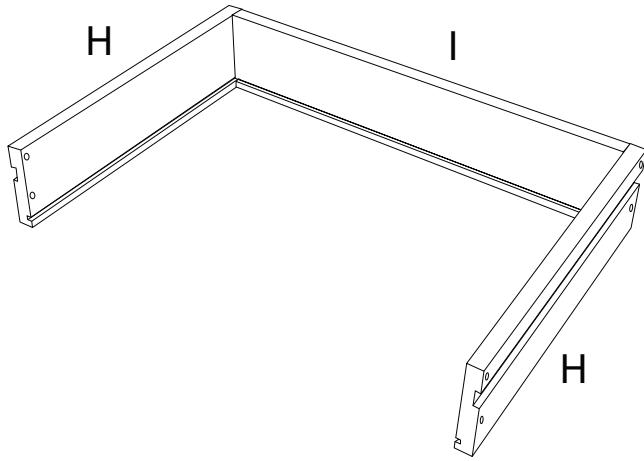
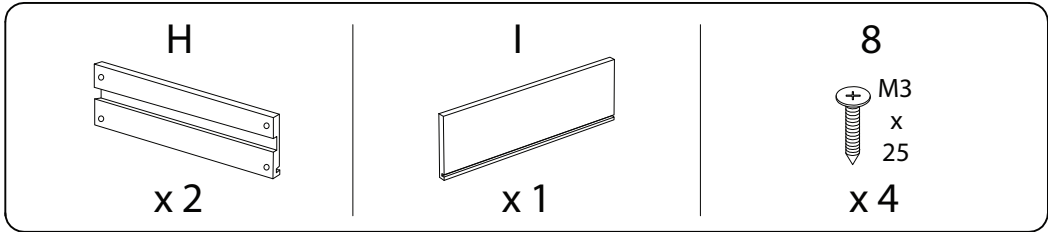
2



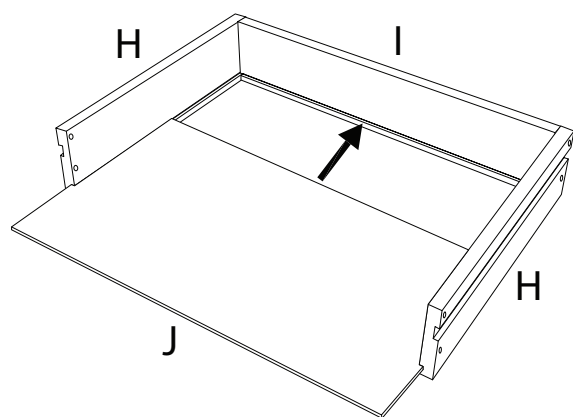
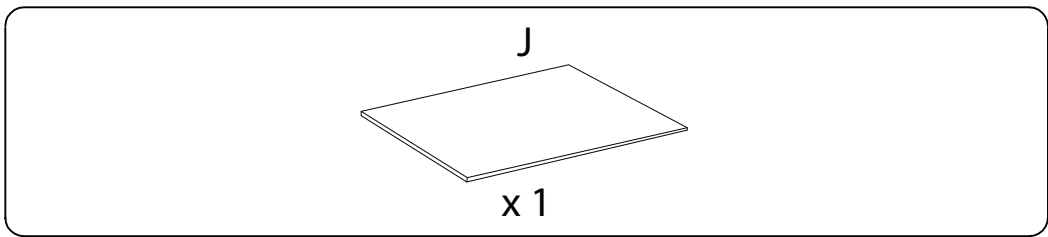
x 2



11 x 2

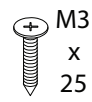


12 x 2

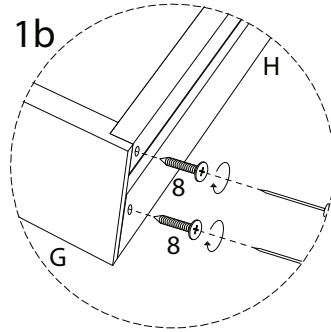
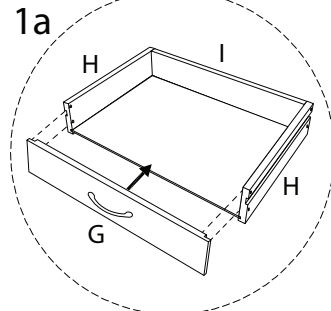
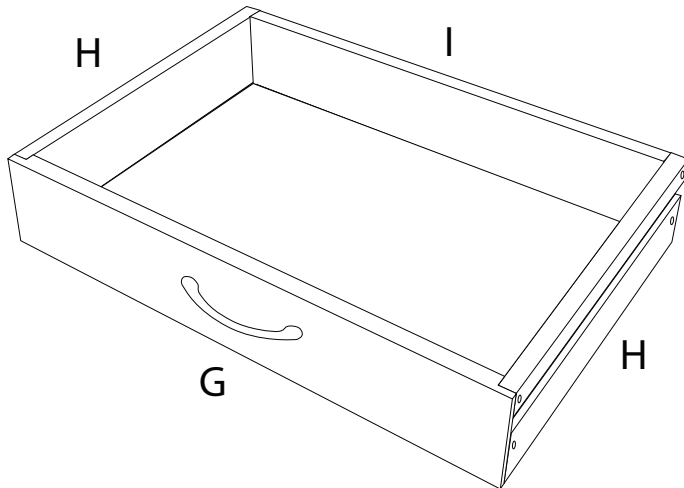


13 x 2

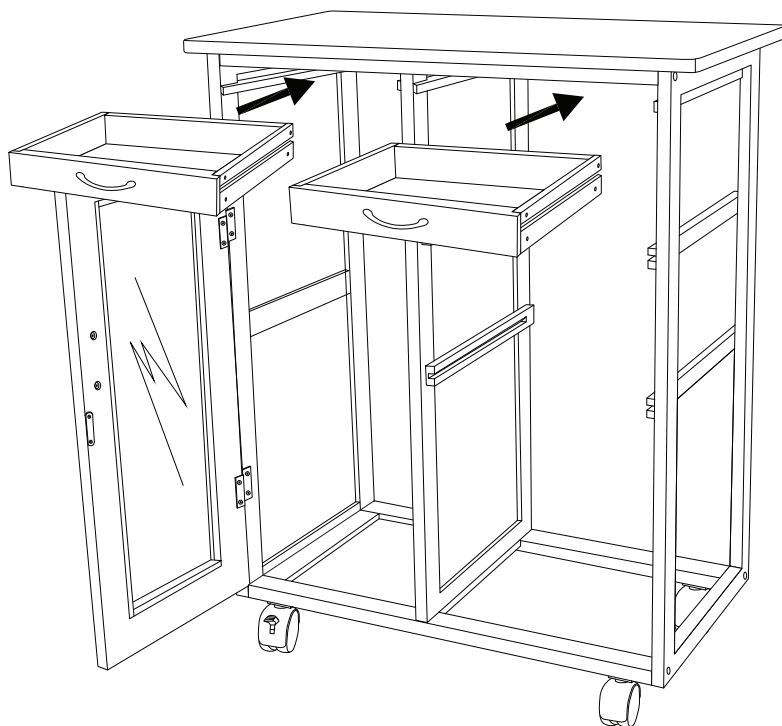
8



x 4



14



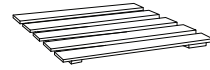
15

L

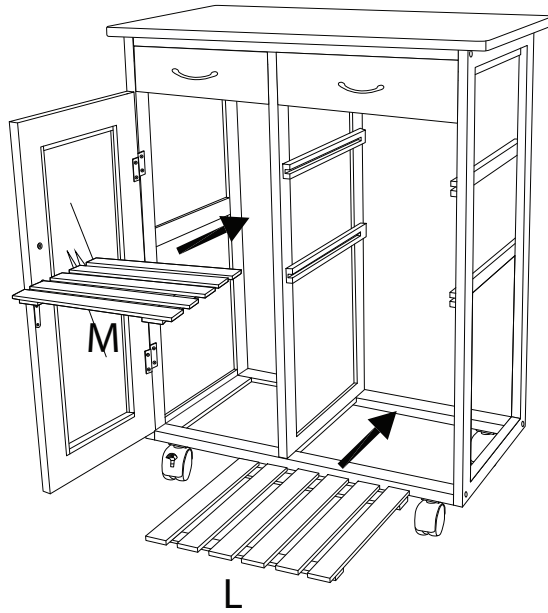


x 1

M

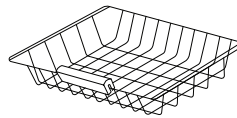


x 1



16

K



x 2

