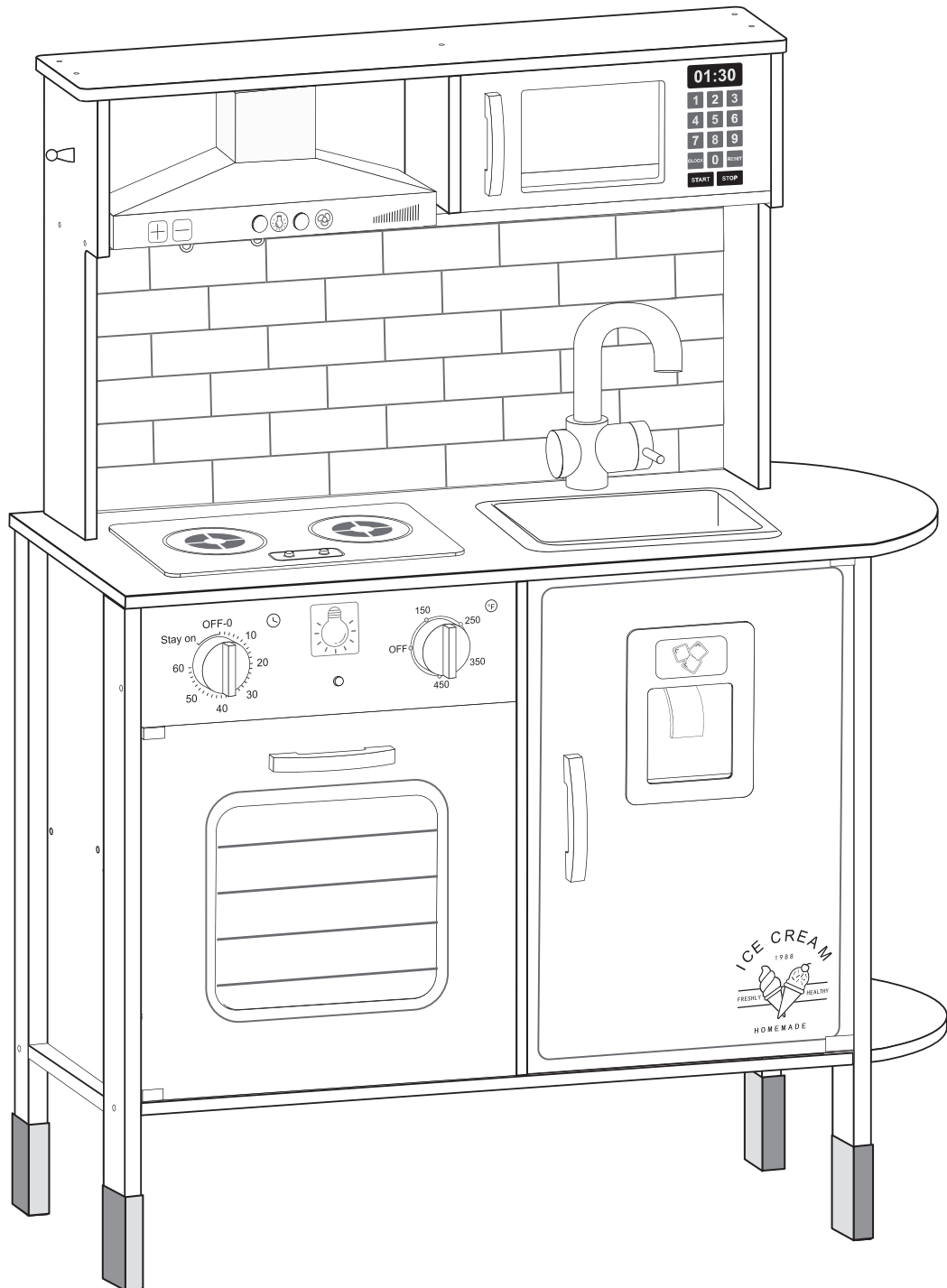


PLAY KITCHEN

TINY LAND®

ASSEMBLY INSTRUCTIONS

3 YEARS+



PLEASE READ FIRST

WARNINGS

- Do not over-tighten screws when assembling.
- When assembling a part using several screws, please align them with the corresponding holes and gently tighten them first. Ensure that all screws are properly aligned and secured and then proceed to gradually tighten each one.
- Laying out all accessories on a hard, flat, and level surface for installation.
- Please follow the instructions step-by-step.
- Assembly requires two adults.
- Keep away from fire.
- Contains a button or coin cell battery. Hazardous if swallowed—see instructions.
- This product contains a Button or Coin Cell Battery. A swallowed Button or Coin Cell Battery can cause internal chemical burns in as little as two hours and lead to death. Dispose of used batteries immediately. Keep new and used batteries away from children. If you think batteries might have been swallowed or placed inside any part of the body, seek immediately medical attention.
- Change the battery of part **9**. Loosen the screws of the battery box to remove the battery box cover, and press the edge of the battery with your fingertips to remove the battery. Press the negative electrode of the battery inward into the battery box, place the battery box cover and tighten the screws. The side engraved with letters and "+" is the positive electrode, and the other side is the negative electrode.
- Always purchase the correct size and grade of battery most suitable for the intended use.
- Replace all batteries of a set at the same time.
- Clean the battery contacts and also those of the device prior to battery installation.
- Ensure batteries are installed correctly with regard to polarity (+ and -)
- Remove from equipment that is not to be used for an extended period of time.
- Remove used batteries promptly.



The product and packaging materials are recyclable, dispose of it separately for better waste treatment. The Triman logo is valid in France only.



Contact your local refuse disposal authority for more details of how to dispose of your worn-out product.



To help protect the environment, please dispose of the product properly when it has reached the end of its useful life and not in the household waste. Information on collection points and their opening hours can be obtained from your local authority.

- Faulty or used batteries/rechargeable batteries must be recycled in accordance with Directive 2006/66/EC and its amendments. Please return the batteries/rechargeable batteries and/or the product to the available collection points.



Environmental damage through incorrect disposal of the batteries/rechargeable batteries!

- Batteries/rechargeable batteries may not be disposed of with the usual domestic waste. They may contain toxic heavy metals and are subject to hazardous waste treatment rules and regulations. The chemical symbols for heavy metals are as follows: Cd=cadmium, Hg=mercury, Pb= lead. That is why you should dispose of used batteries/rechargeable batteries at a local collection point.

NAME OF MANUFACTURER: TINY LAND

LOCATION OF PRODUCTION: No.3387 Shendu Road, Shanghai, China

PARENTAL SUPERVISION REQUIRED

- This toy is intended for children aged above 3.
- Parents should supervise the play area so that children younger than the intended age range do not interact with this toy.
- Use this toy on a hard, flat, and level surface.
- Do not allow children to pull, climb, sit, or stand on any part of the play product.

CLEANING INSTRUCTIONS

- Clean the surface using a slightly damp cloth and mild dish washing liquid if necessary.
- Don't use any cleaning product containing alcohol or ammonia, which may dull the surface of the product.

SOLE AND LIMITED WARRANTY

- This product includes a 90-day warranty from the date of receipt, covering any non-man-made damages. For any issues or concerns within this period that are not due to misuse or accidental damage, please reach out to our customer service team for support.
- If you find it difficult to assemble the toy or have any other problems with the product, please contact us via email at **customer_care@tinylandus.com**. We will do our best to resolve your problem and provide a solution to your satisfaction.



<https://bit.ly/TLAssembly> 🔍

Scan the QR code above
to view the detailed instruction video



WARNING: Adult assembly required.

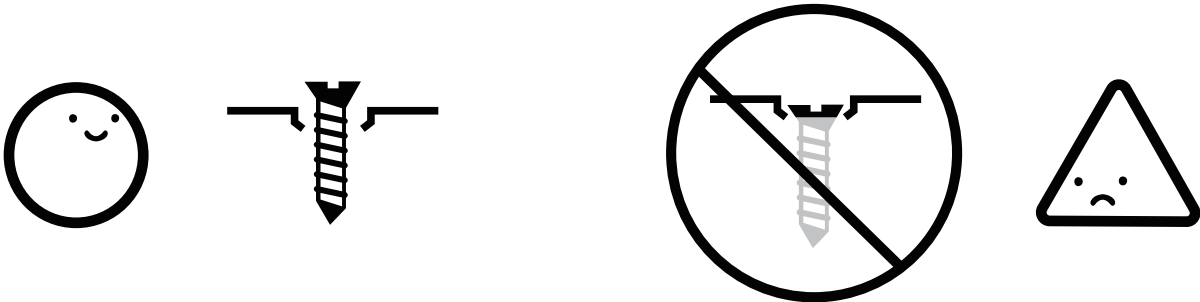
- EN** **Warning:** Not for children under 3 years. Adult assembly required.
Choking hazard - Small parts.
- DE** **Warnung:** Nicht für Kinder unter 3 Jahren geeignet.
Zusammenbau durch Erwachsene erforderlich. Erstickungsgefahr – Kleinteile.
- FR** **Attention:** Pas pour les enfants de moins de 3 ans.
Montage réalisé par un adulte - Petites pièces.
- ES** **Avviso:** No para niños menores de 3 años.
L'assemblaggio da parte di un adulto è richiesto - Piezas pequeñas.
- IT** **Avvertencia:** Piccole parti. Non adatto a bambini sotto i 3 anni.
Se richiede el montaje por parte de un adulto - Piccole parti.

IMPORTANT

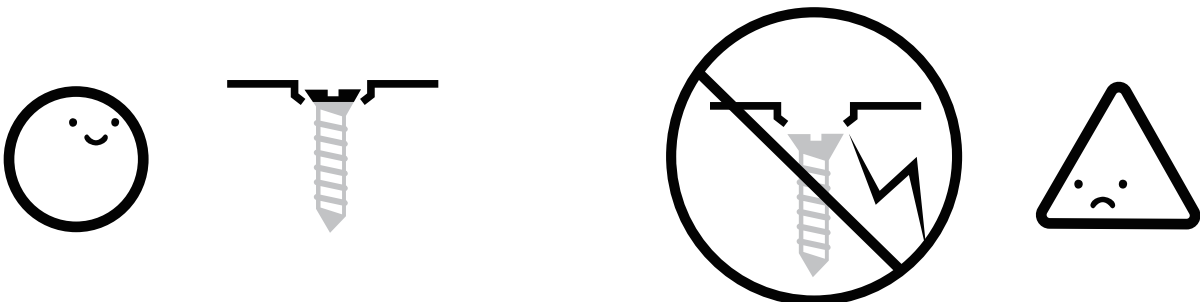
Be smart-sort your parts!
Be sure you have all required parts BEFORE beginning assembly!



Please use a manual screwdriver for assembly or set the electric screwdriver to the MINIMUM TORQUE to avoid damaging the product. If the minimum torque is not sufficient to turn the screws, gradually increase the torque as needed.



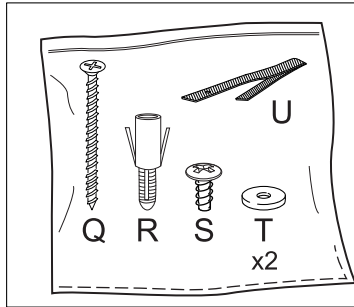
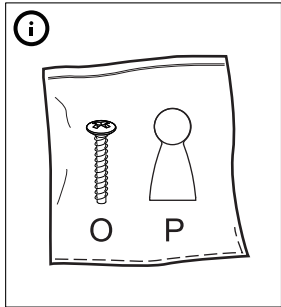
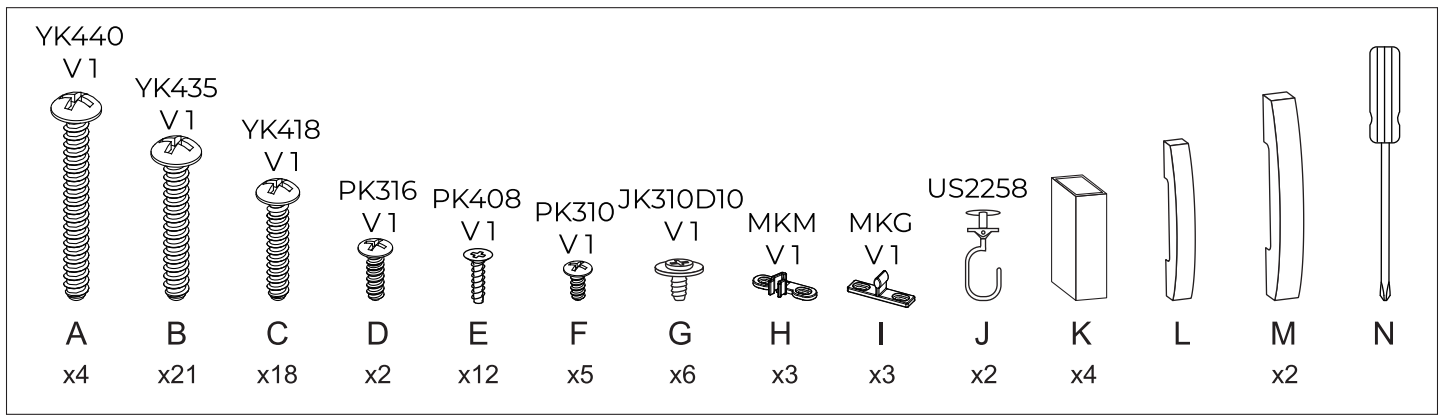
**DO NOT FULLY TIGHTEN SCREWS UNTIL
ALL PANELS ARE CONNECTED.**




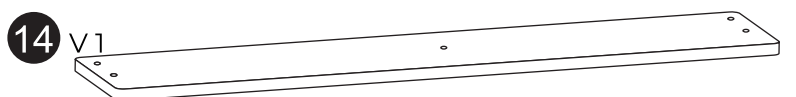
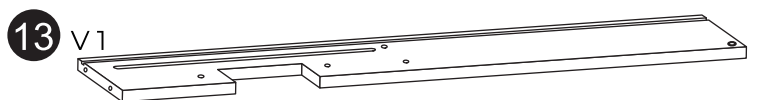
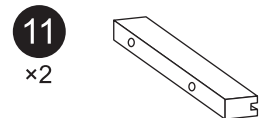
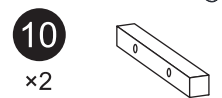
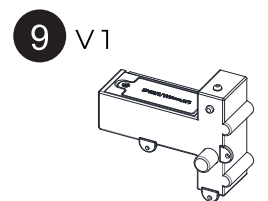
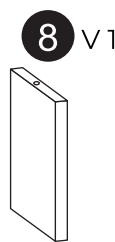
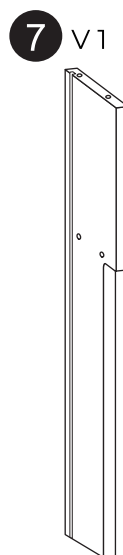
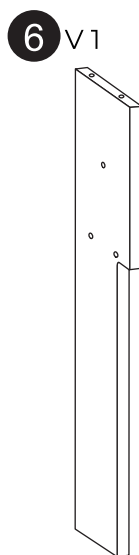
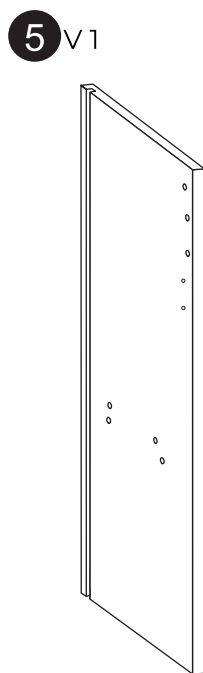
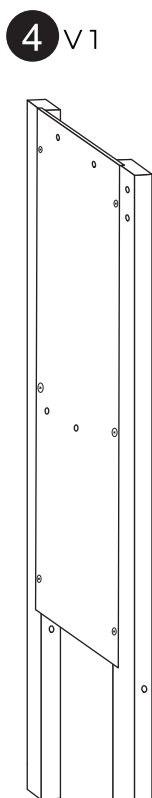
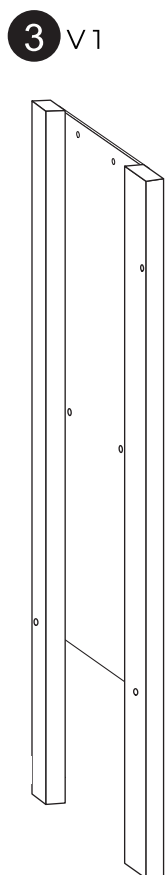
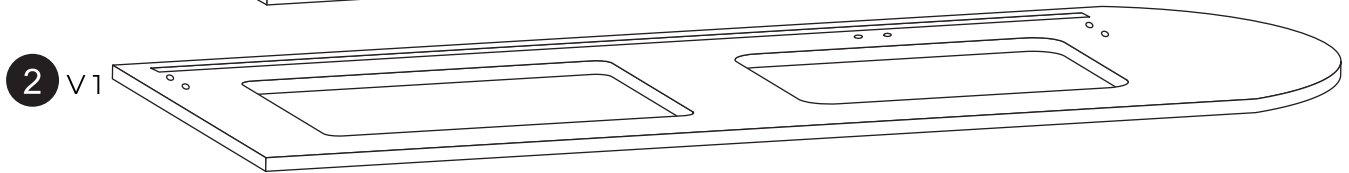
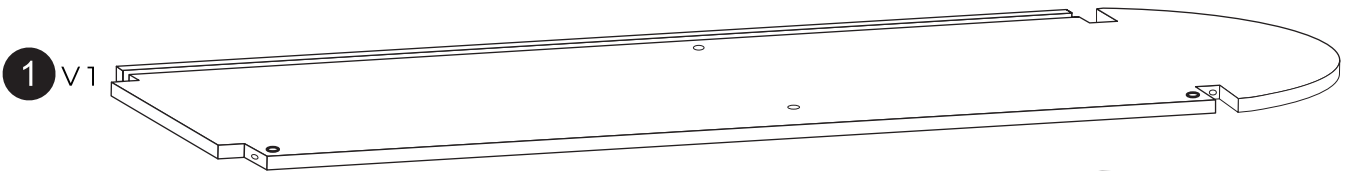
To complete assembly, use a hand-held screwdriver to fully tighten all screws until they're snug.

DO NOT OVER-TIGHTEN!

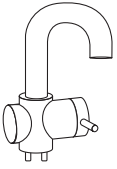
Over-tightening will cause the product to crack!



 This safety bracket is designed to fix the furniture to the wall and prevent it from tipping over if a child climbs or hangs on it. The package contains parts of 2 different ways to fix the bracket on the wall. Different wall materials require different types of fixing devices. If you are uncertain about what type of screw or fitting to use, please contact your hardware store.



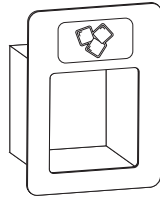
15 V1



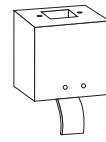
16



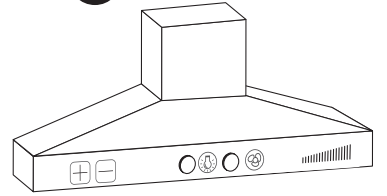
17



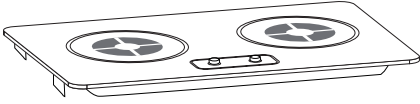
18



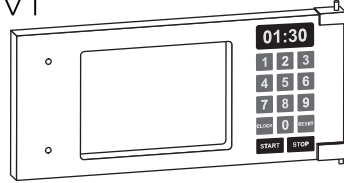
19



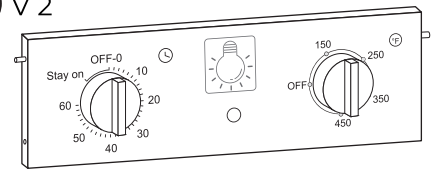
20



21 V1



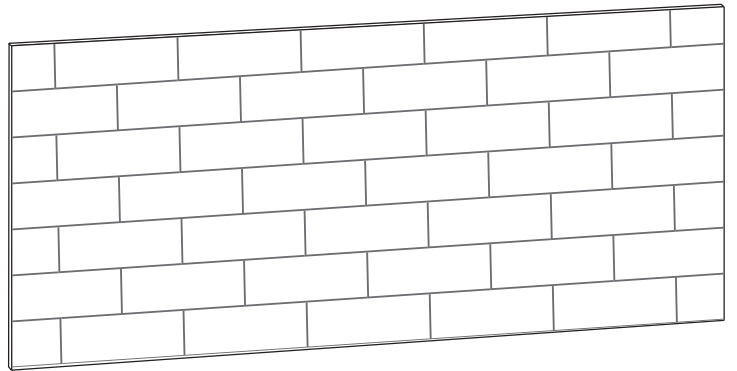
22 V2



23



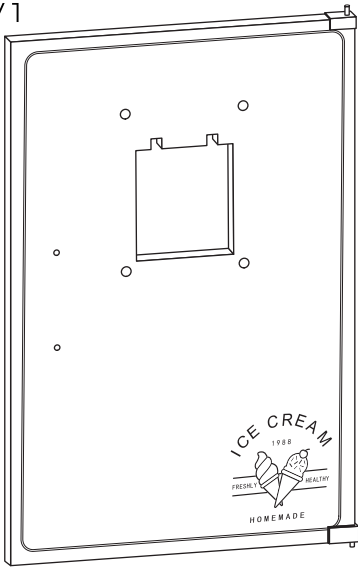
24



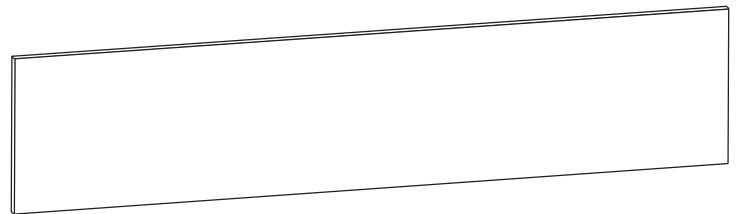
25 V1



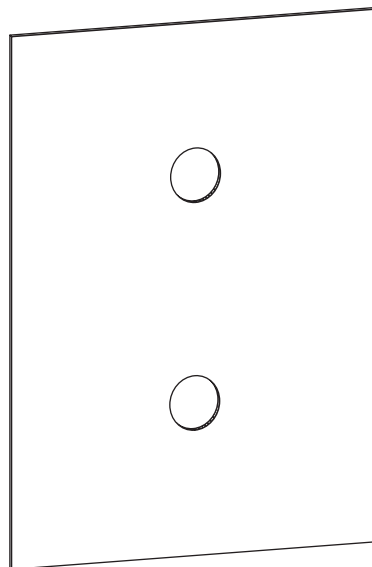
26 V1



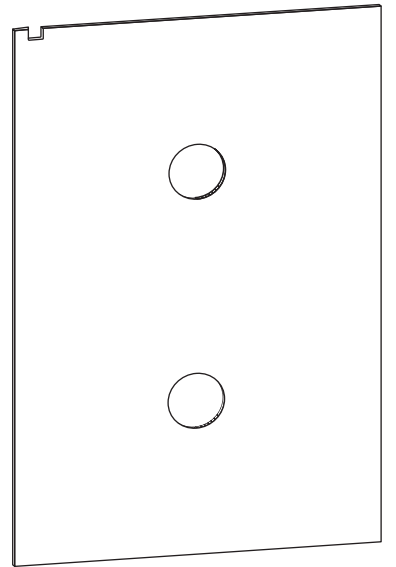
27



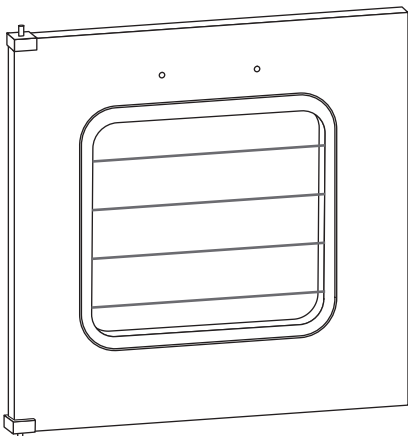
29



30

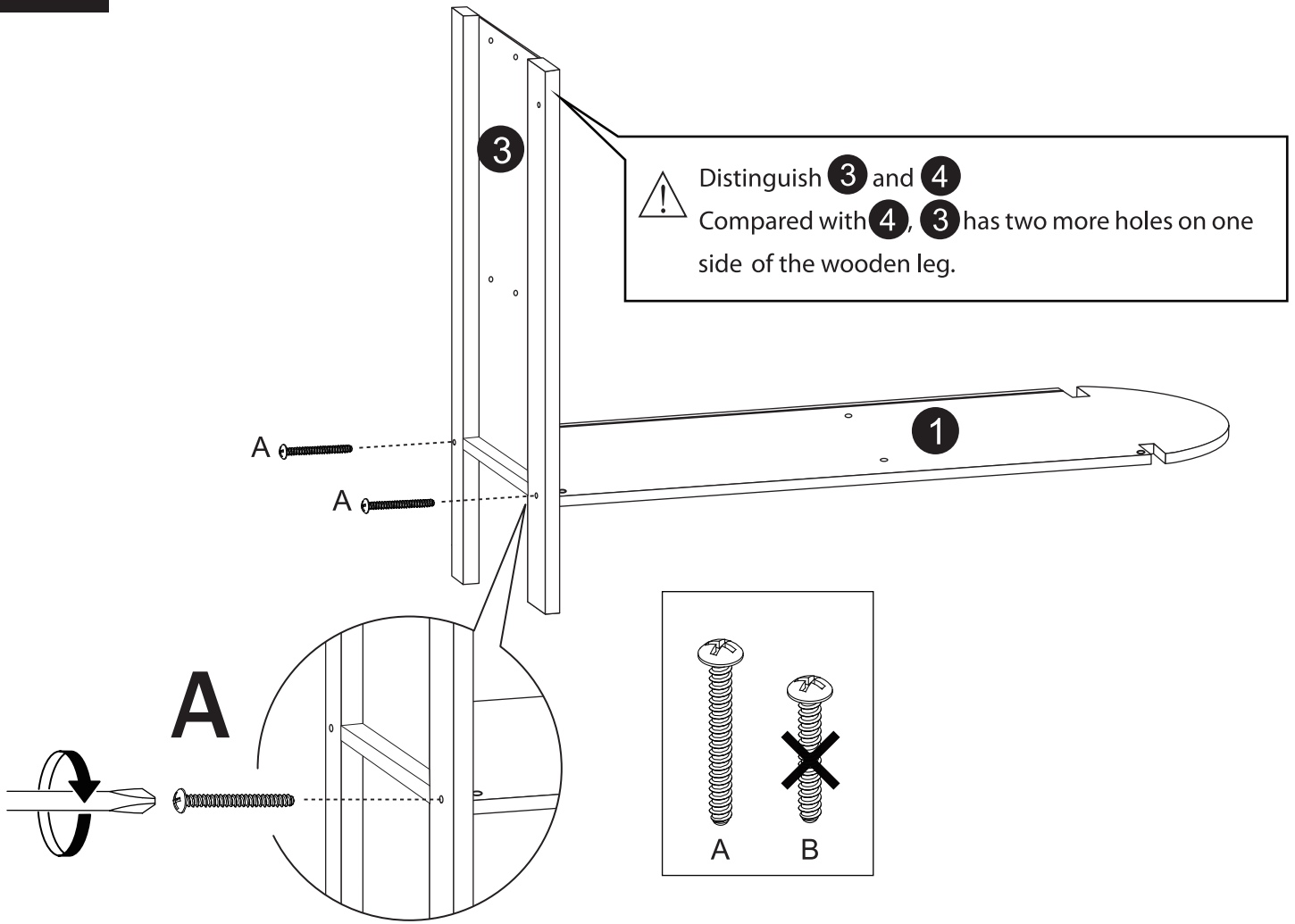


28 V1



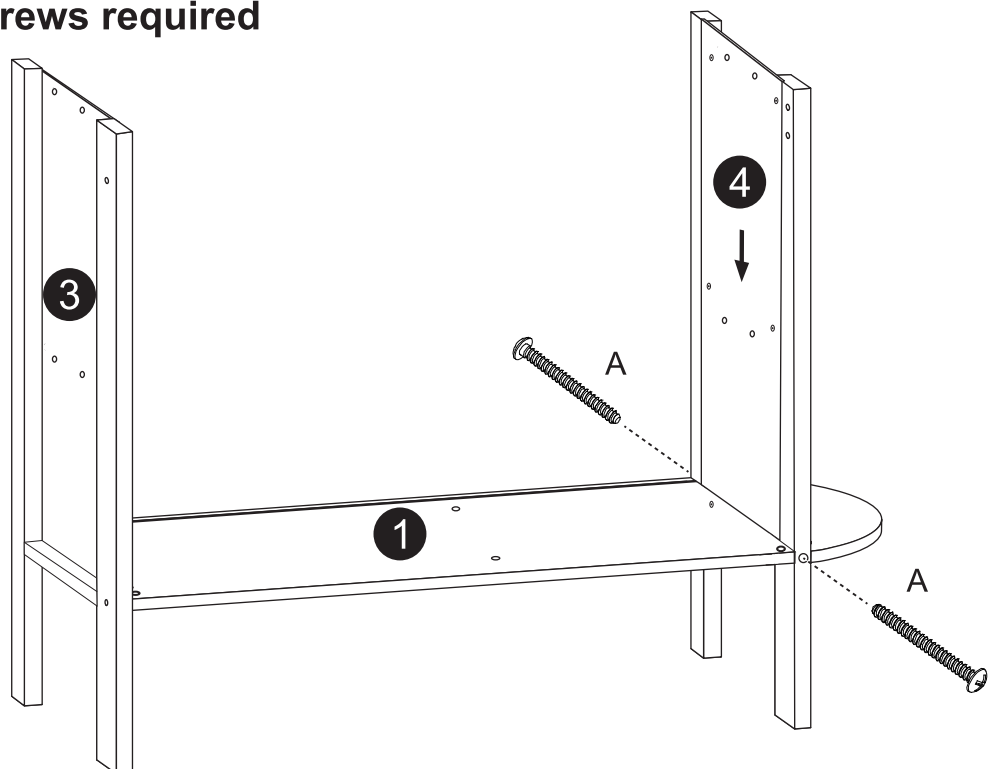
1

Two A screws required



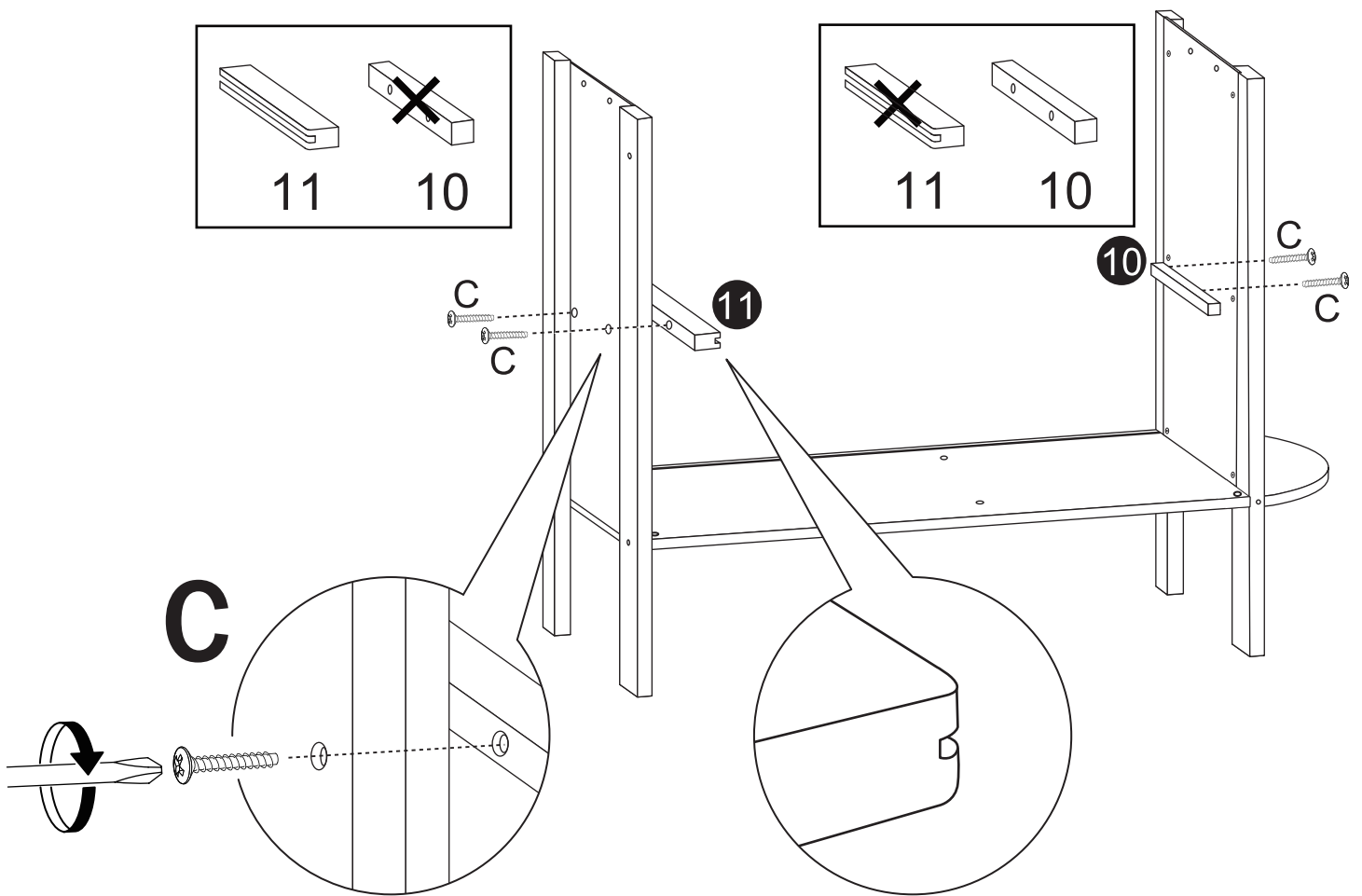
2

Two A screws required



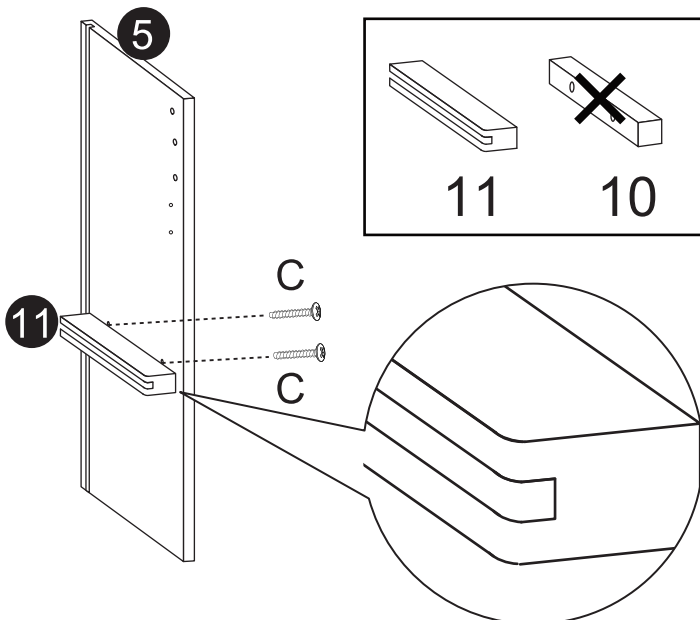
3

Four C screws required



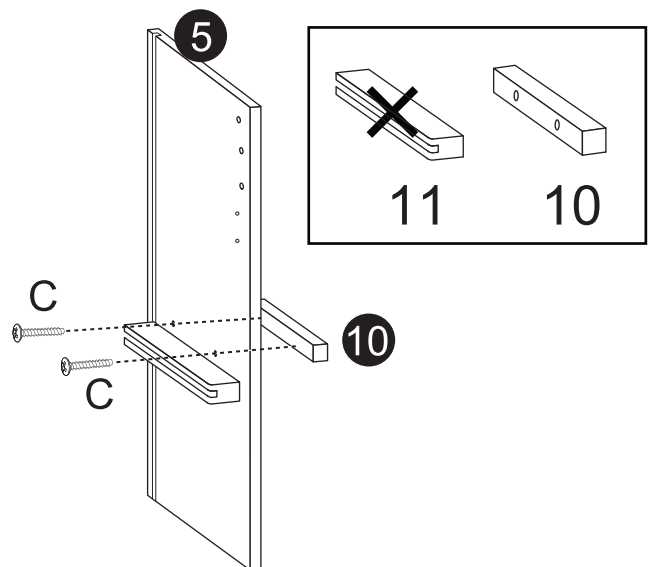
4

Two C screws required



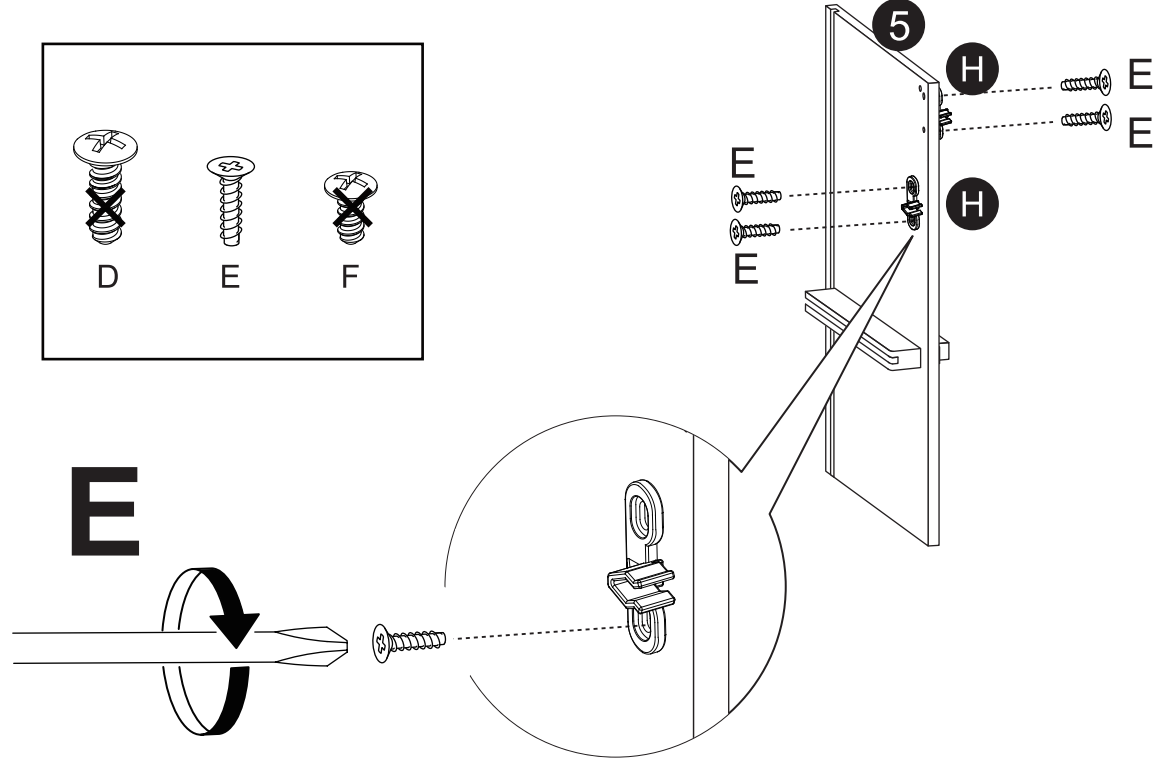
5

Two C screws required



6

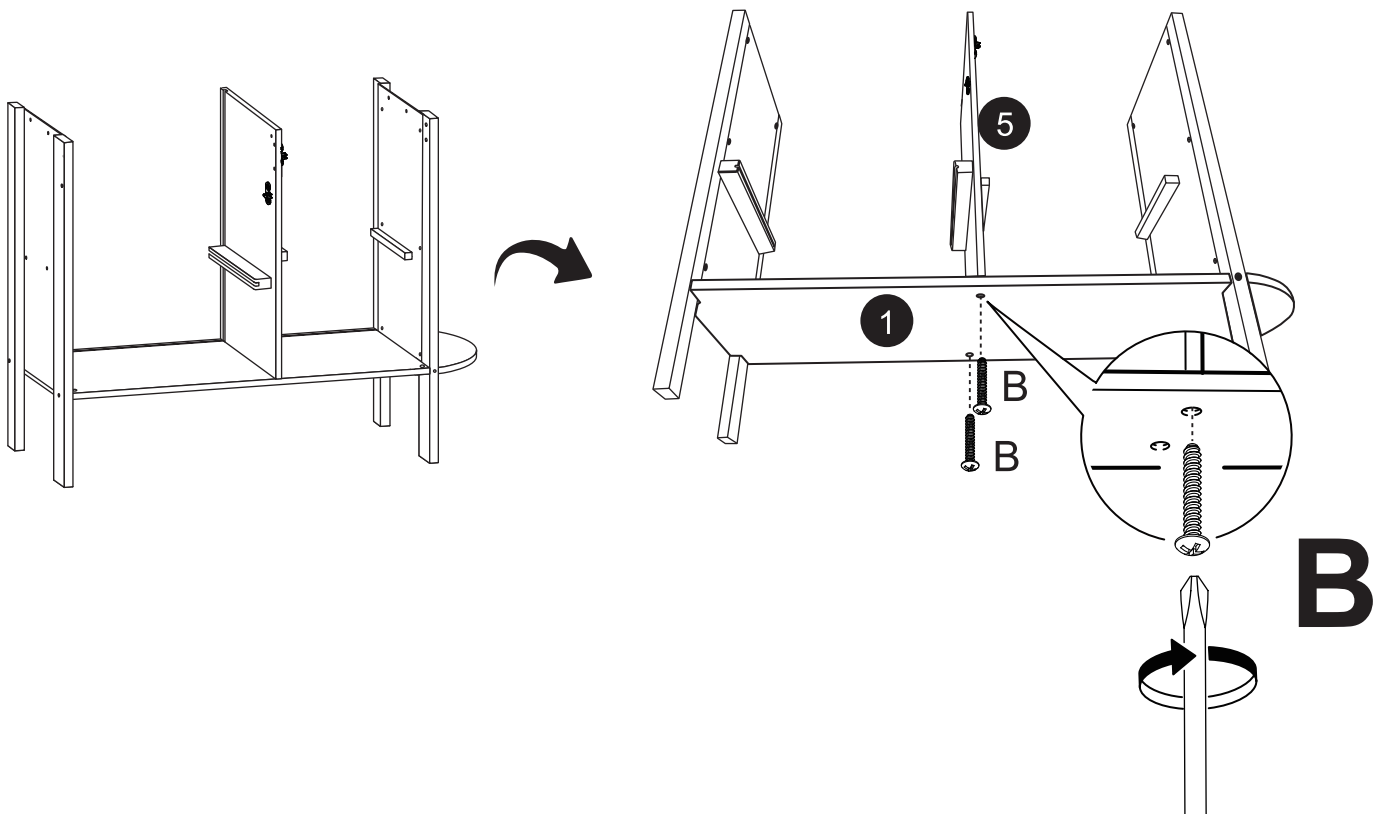
Four **E** screws required



7

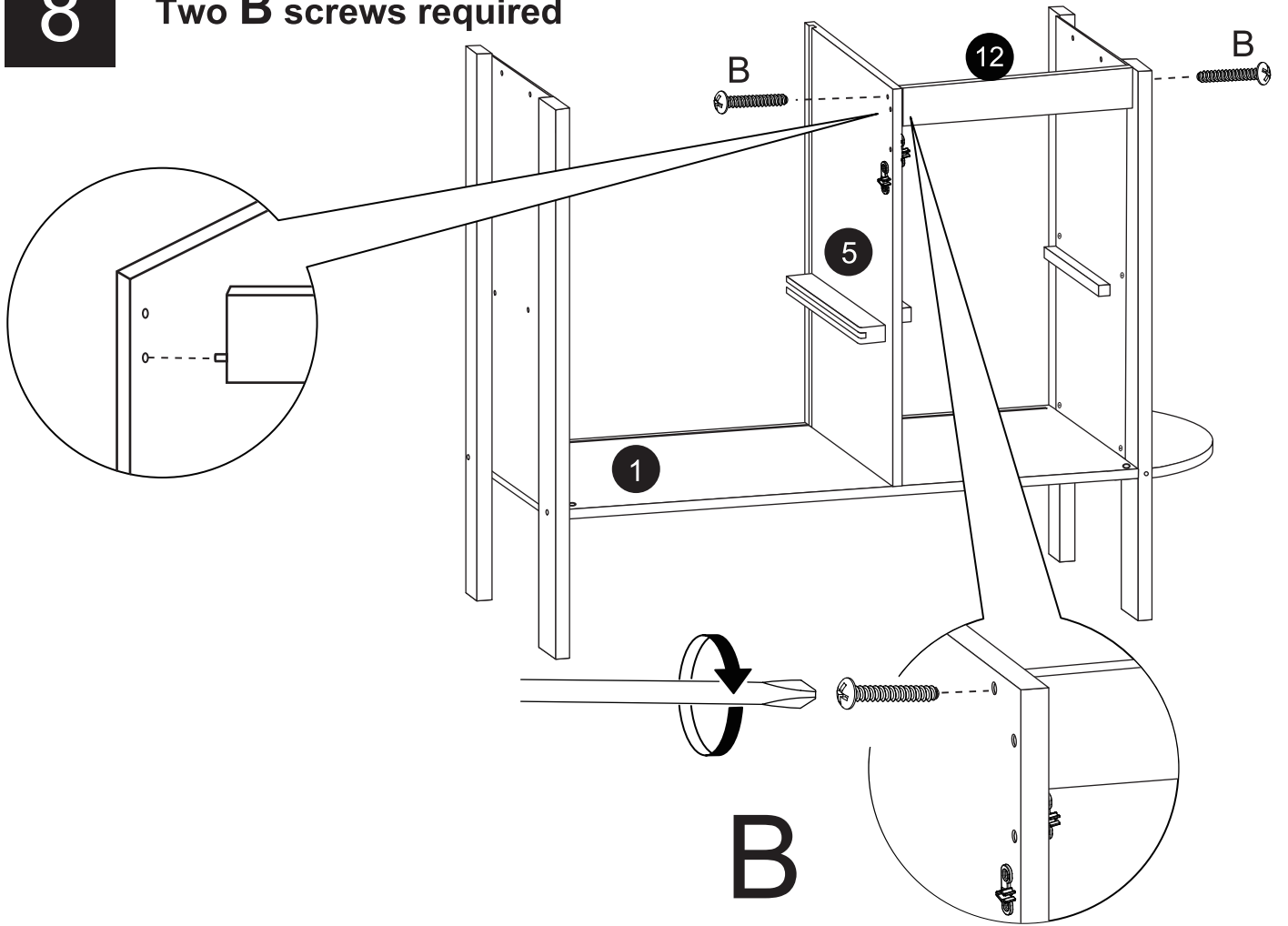
Two **B** screws required

⚠ Flip the kitchen to the ground for a better angle to installation.

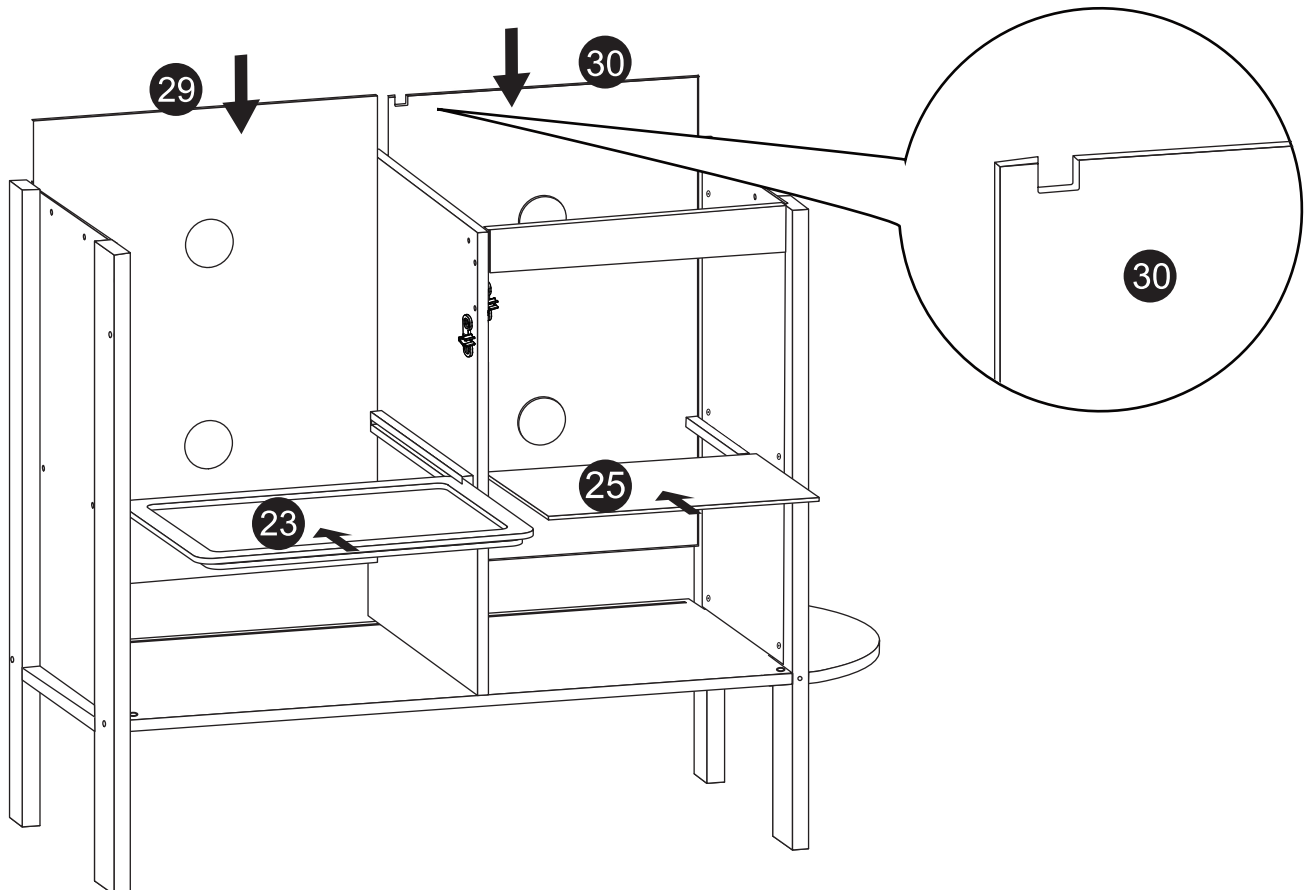


8

Two **B** screws required

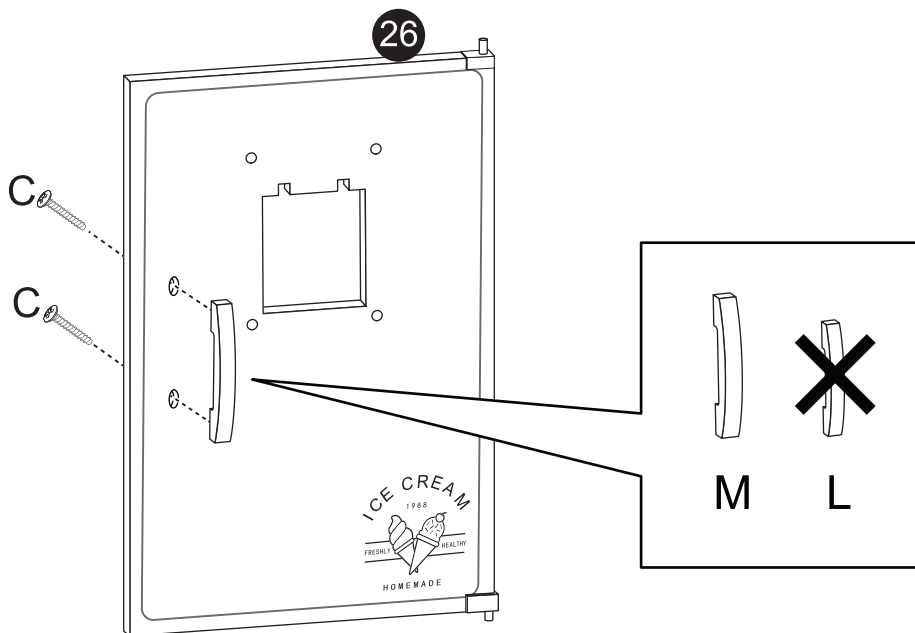


9



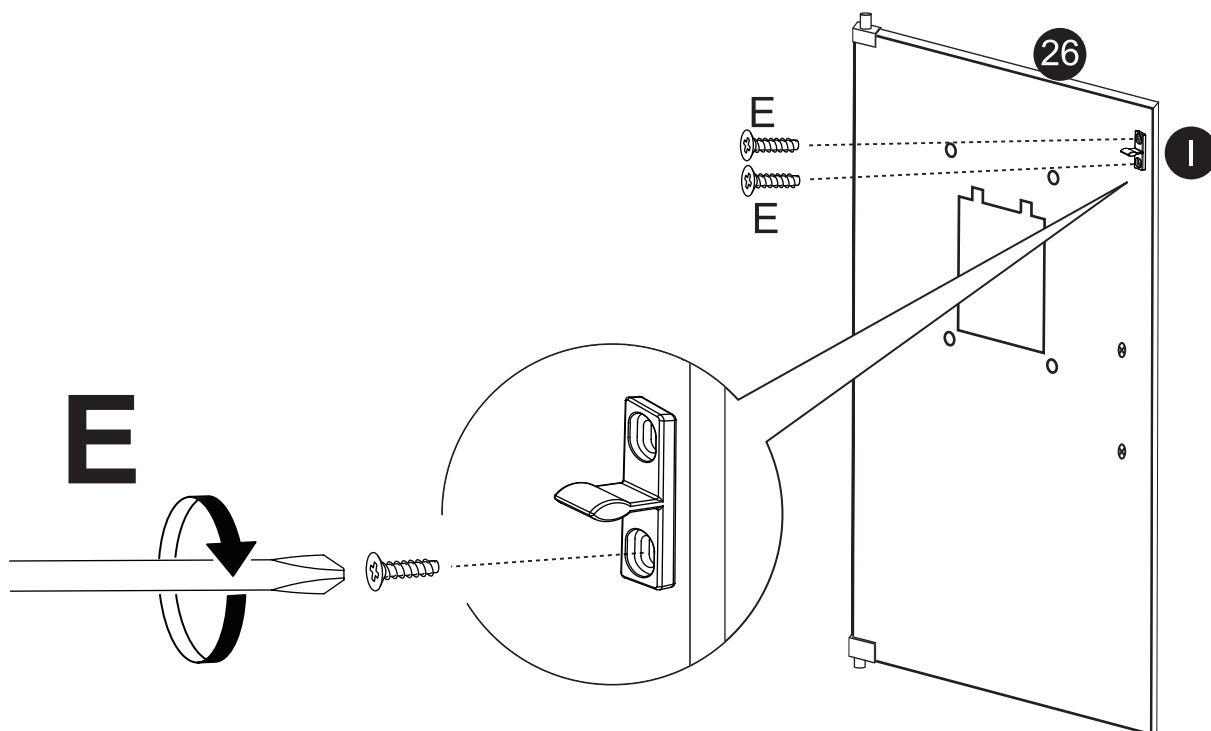
10

Two C screws required



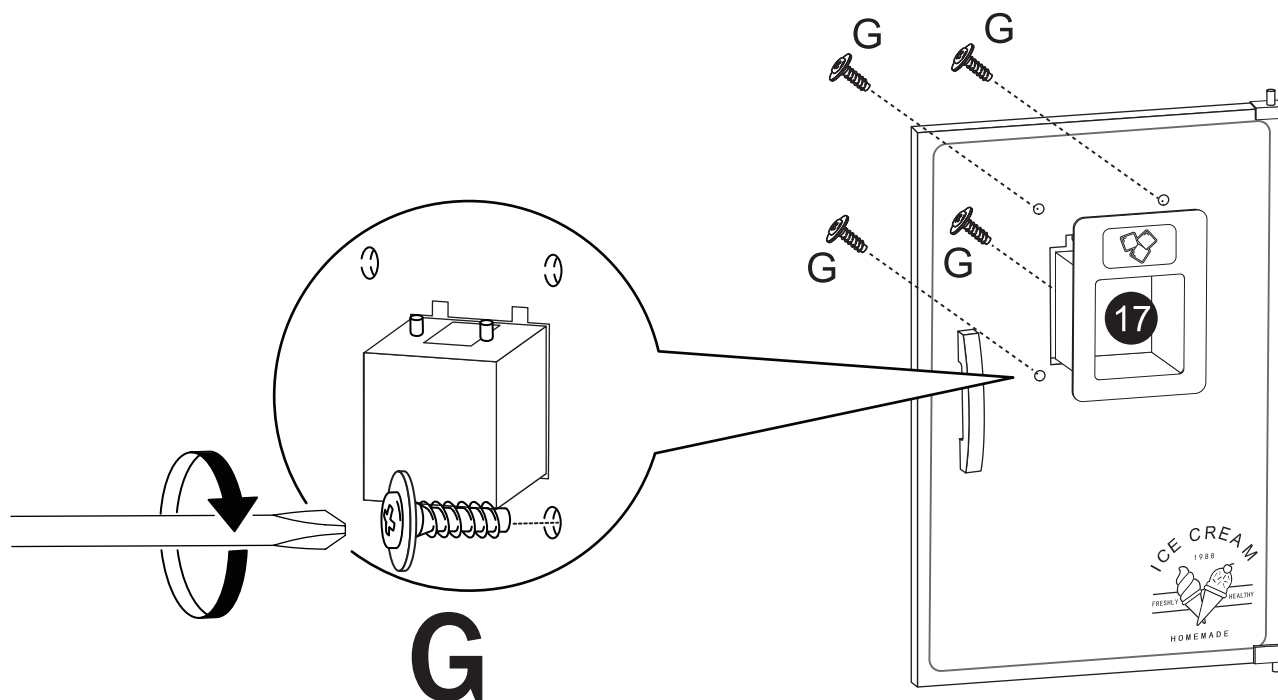
11

Two E screws required



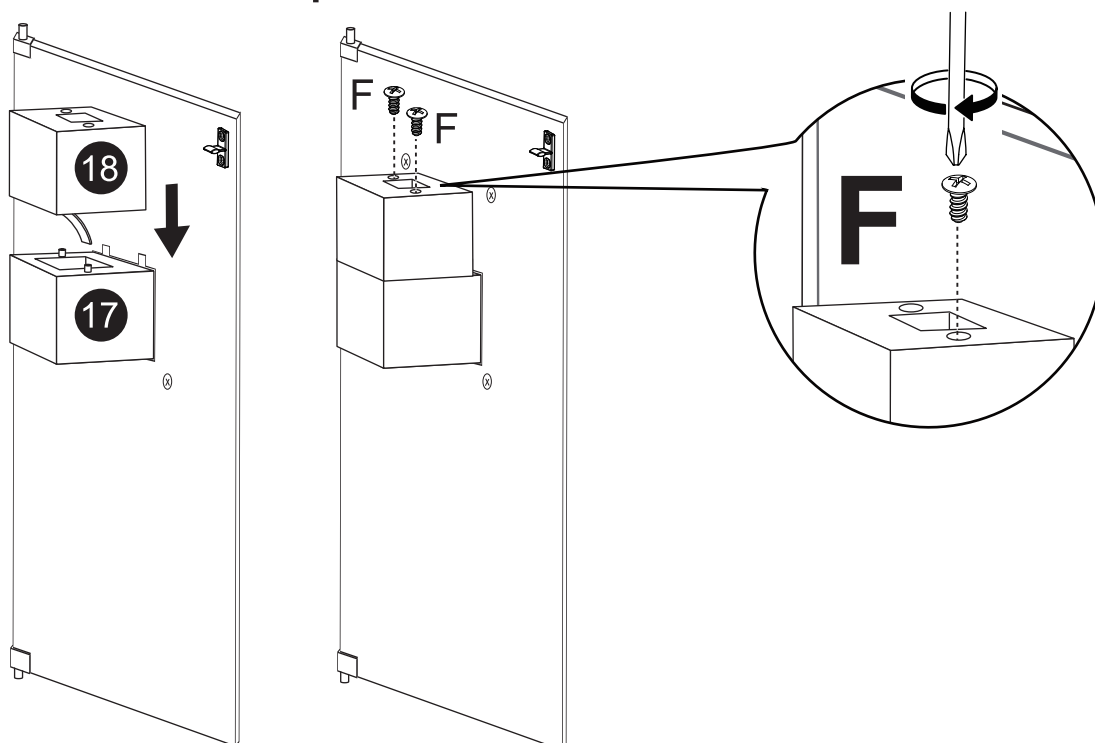
12

Four G screws required



13

Two F screws required

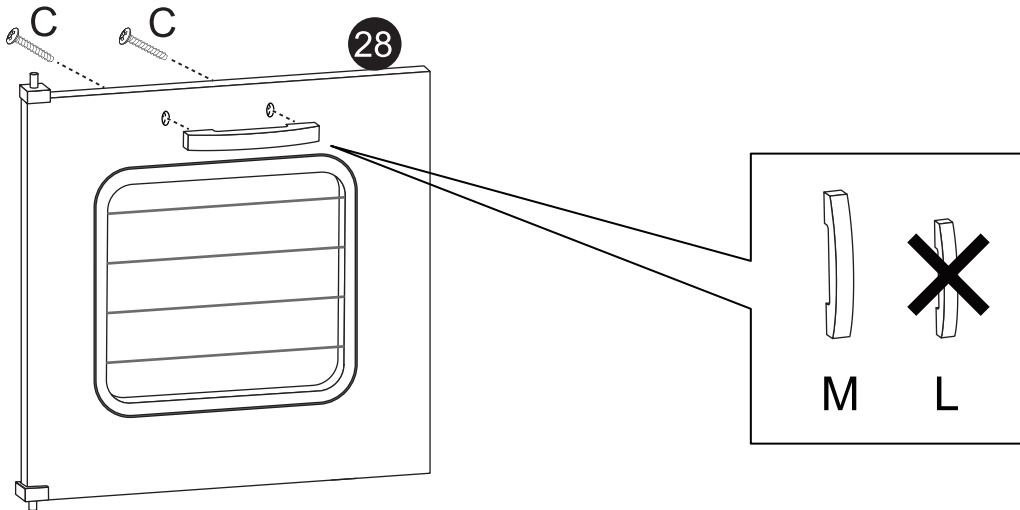


Refrigerator with ice maker

- Open the refrigerator door and fill the ice maker with 2 ice cubes.
 - Hold and press the measuring cup into the ice maker so that ice cubes fall into it.
- Note: place a maximum of two ice cubes in the ice maker. The third ice cube is a spare.

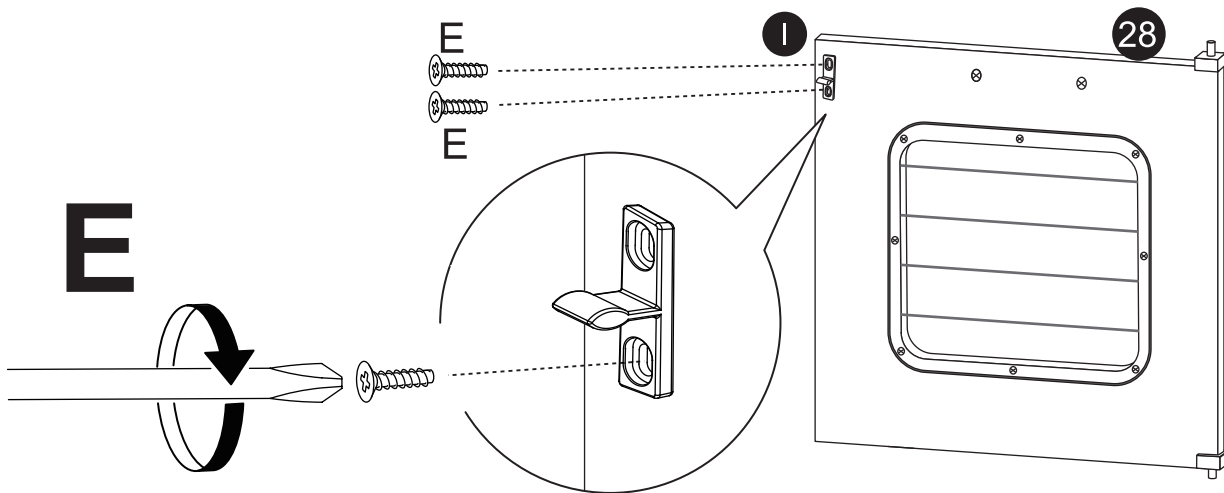
14

Two C screws required



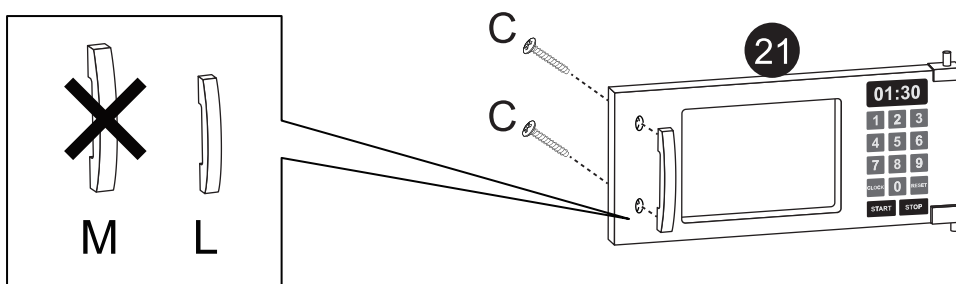
15

Two E screws required



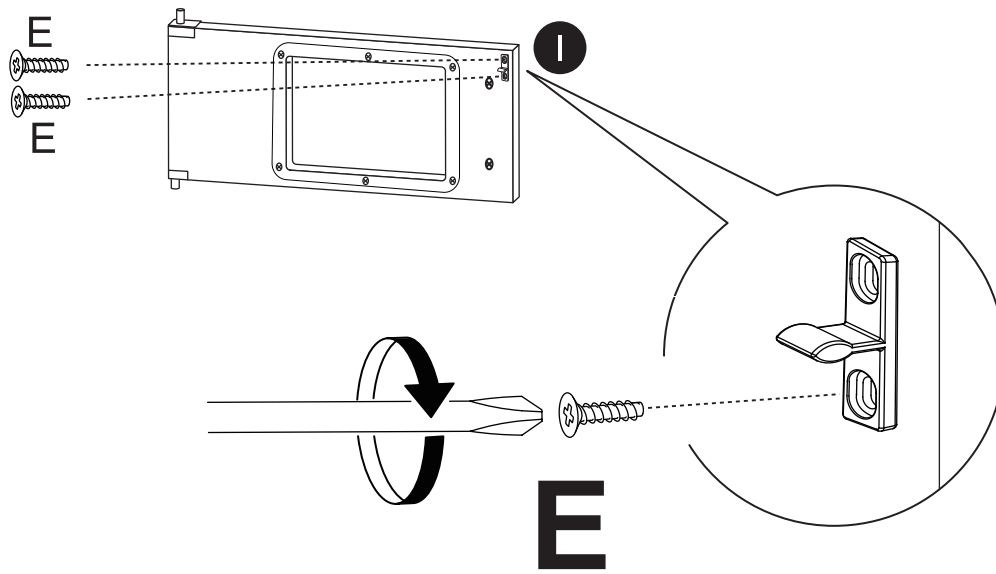
16

Two C screws required

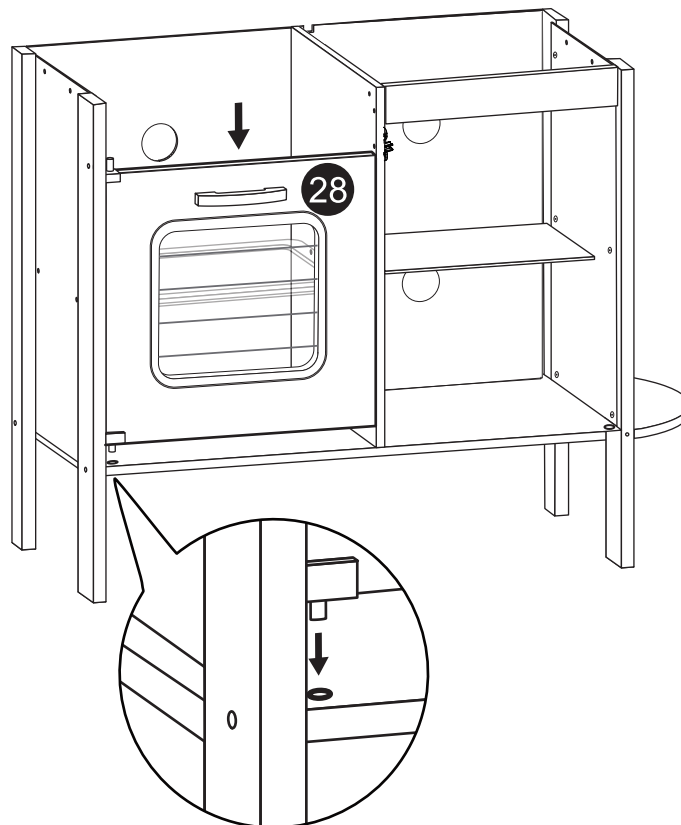


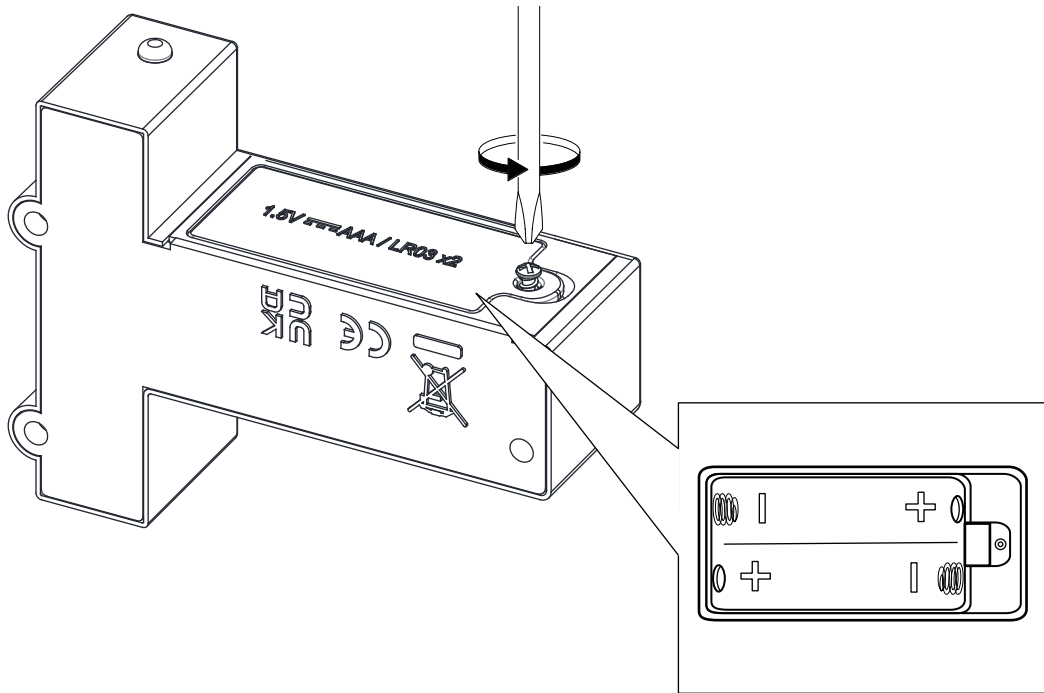
17

Two E screws required



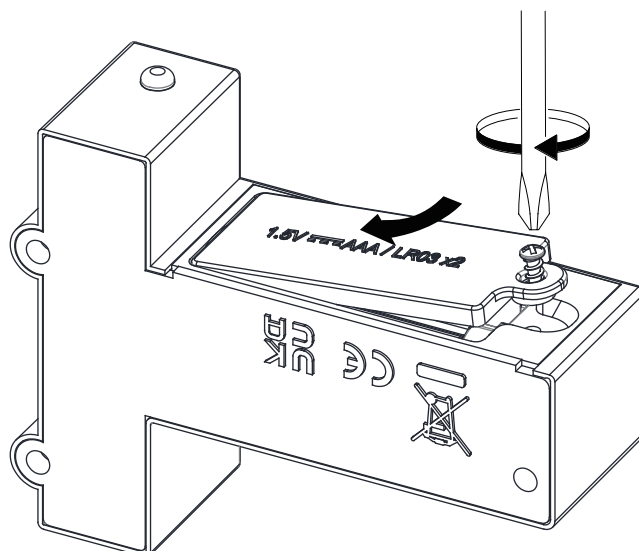
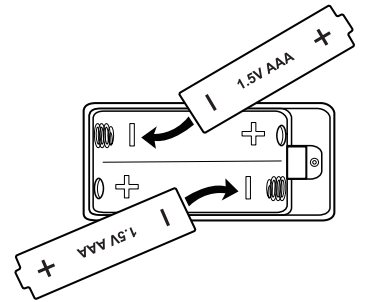
18





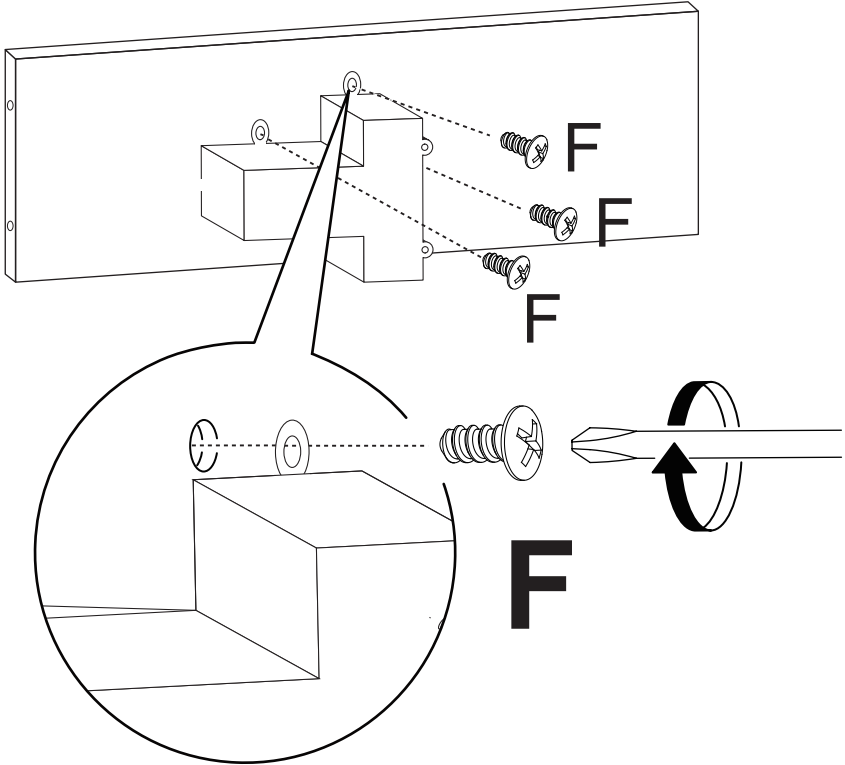
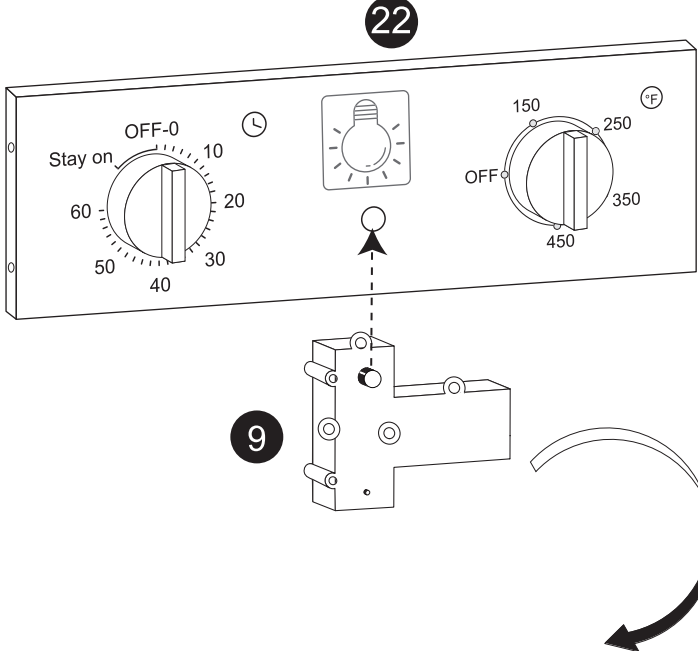
⚠ WARNING:

- 2 × 1.5V AAA Batteries;
- Non-rechargeable batteries are not to be recharged;
- Rechargeable batteries are only to be charged under adult supervision;
- Rechargeable batteries are to be removed from the toy before being charged;
- Different types of batteries or new and used batteries are not to be mixed;
- Batteries are to be inserted with the correct polarity;
- Exhausted batteries are to be removed from the toy;
- The supply terminals are not to be short-circuited.



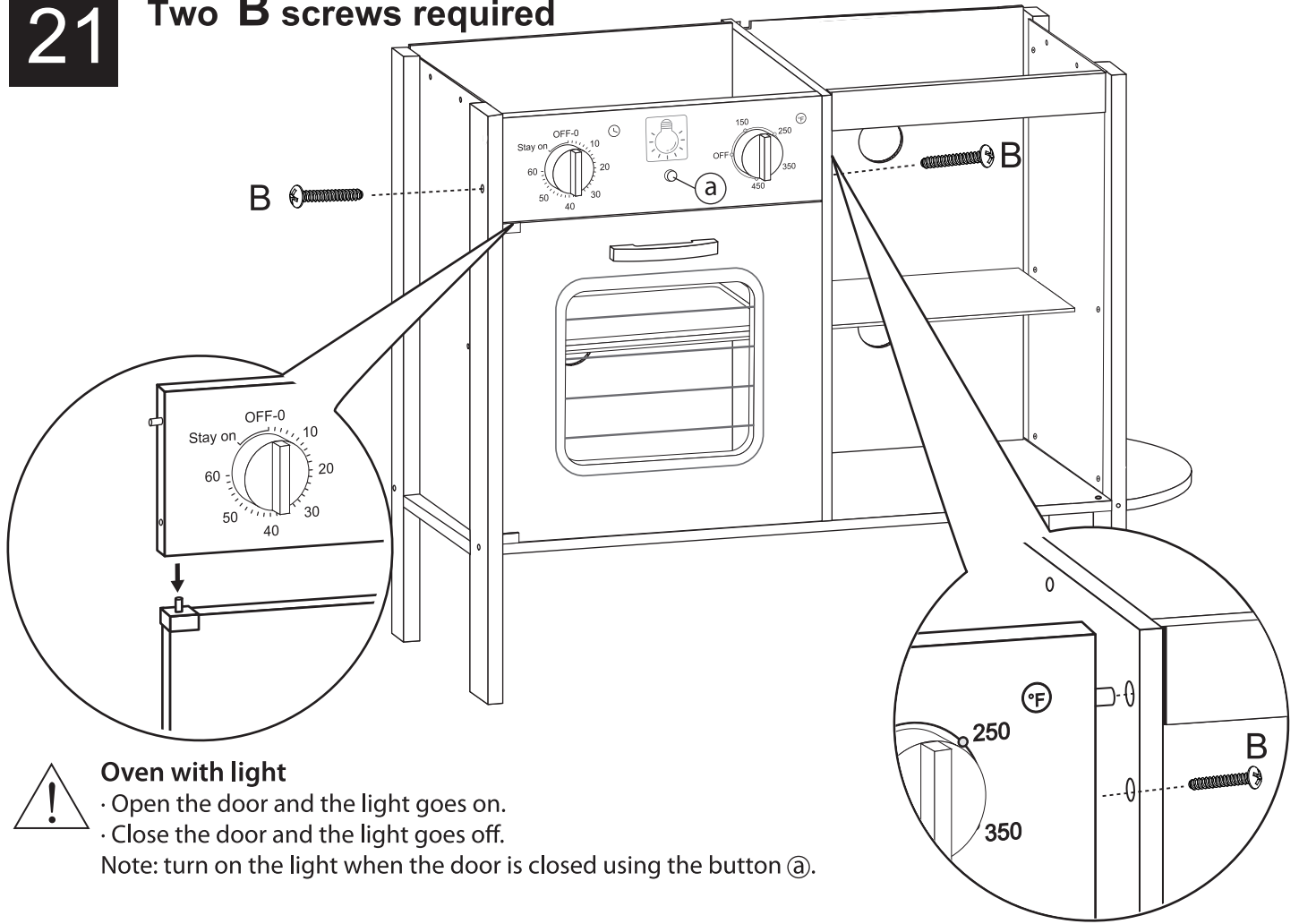
20

Three F screws required



21

Two B screws required

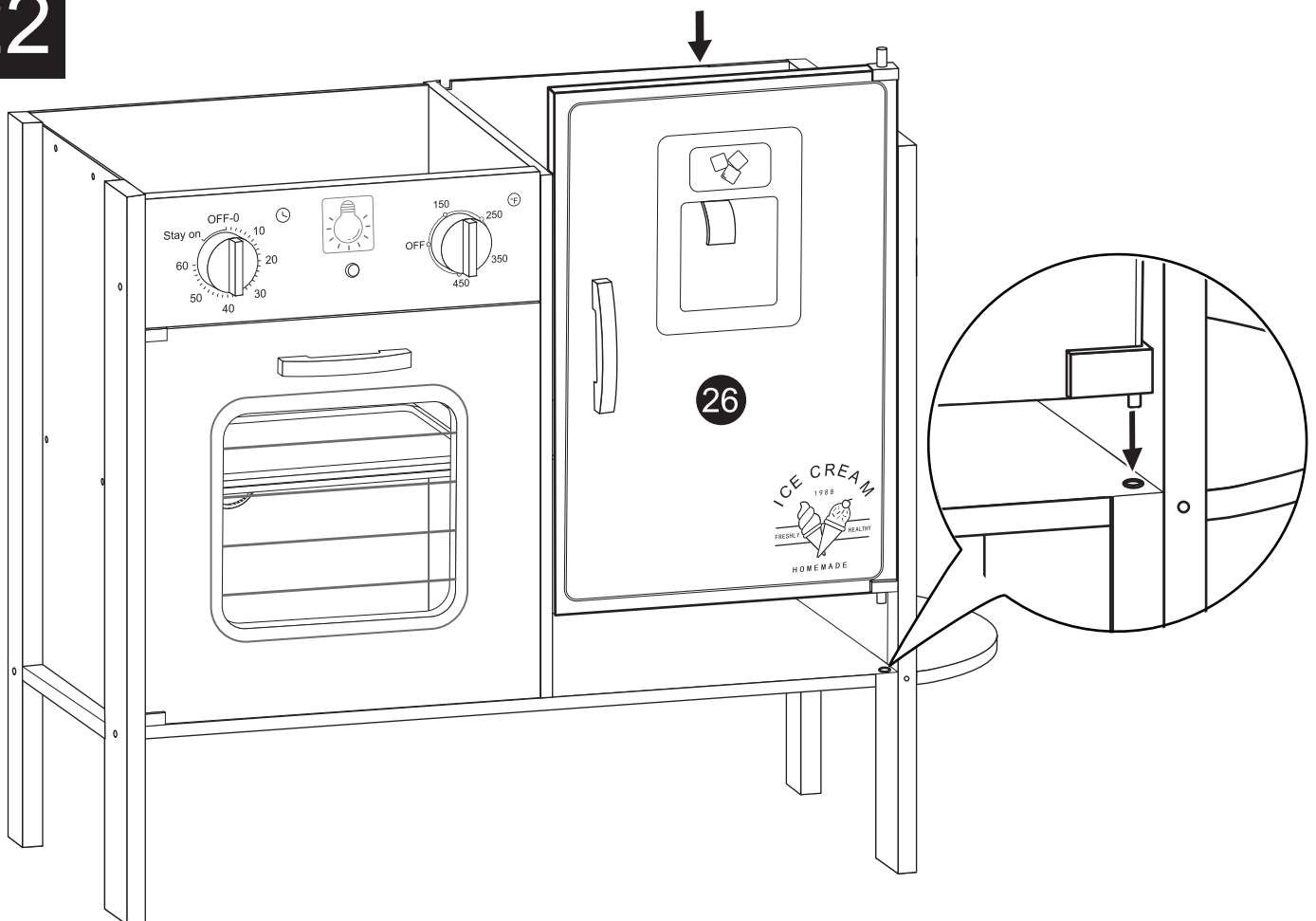



Oven with light

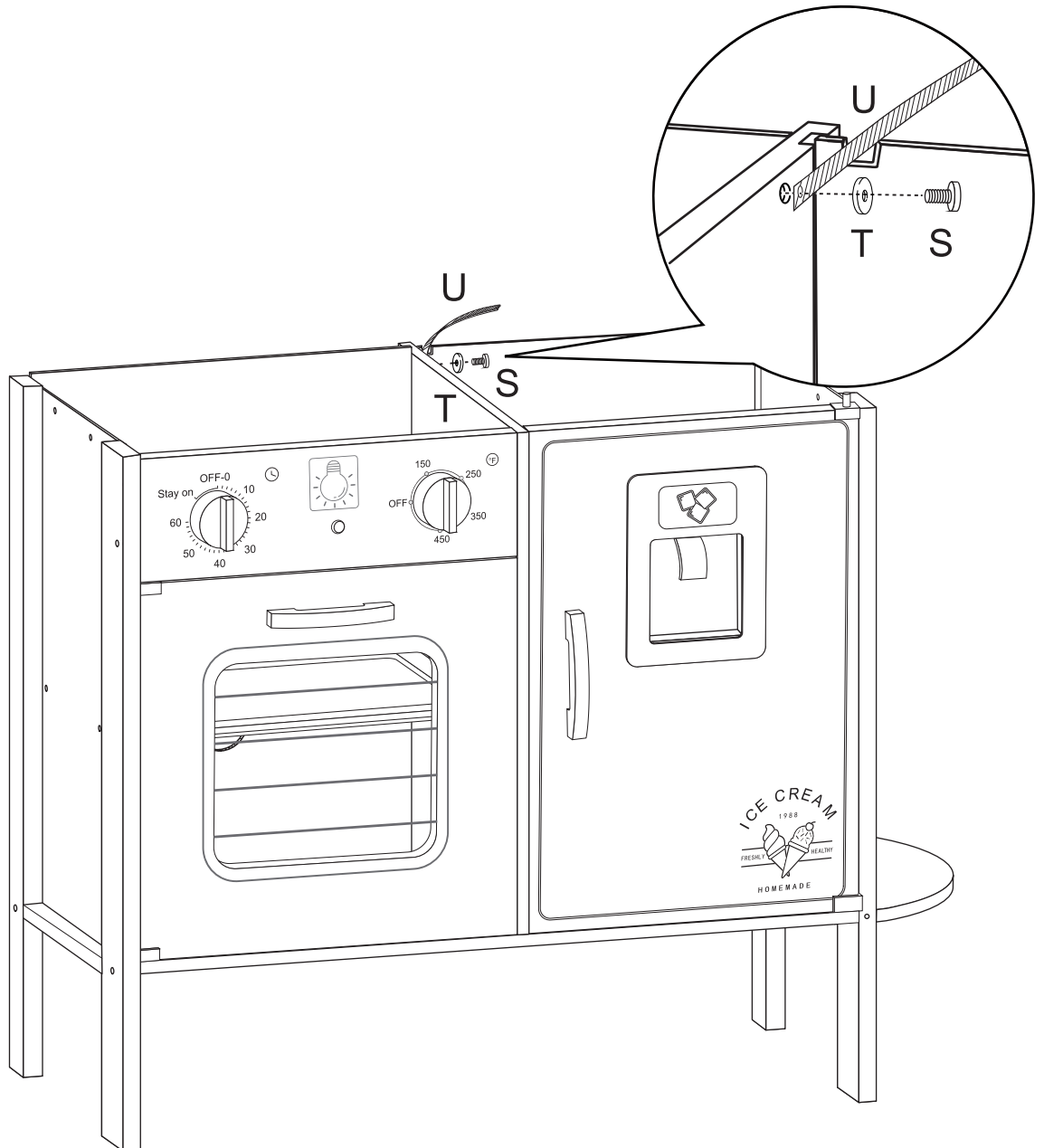
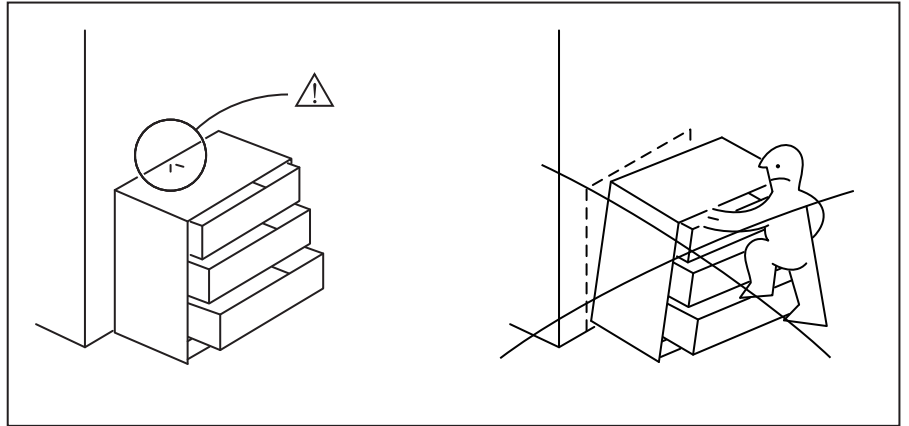
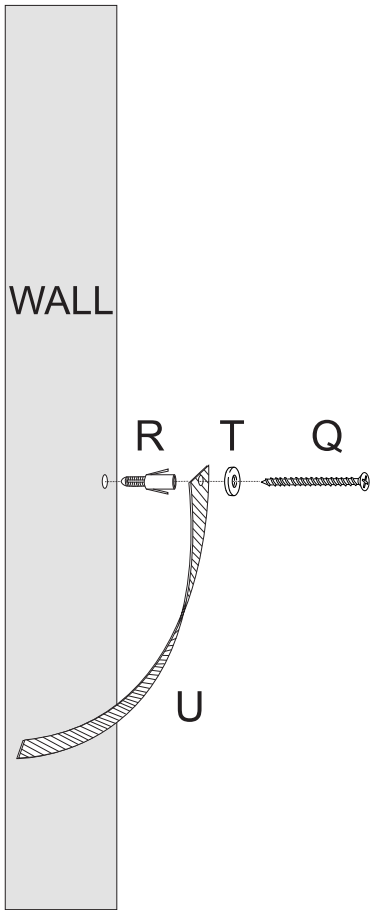
- Open the door and the light goes on.
- Close the door and the light goes off.

Note: turn on the light when the door is closed using the button @.

22

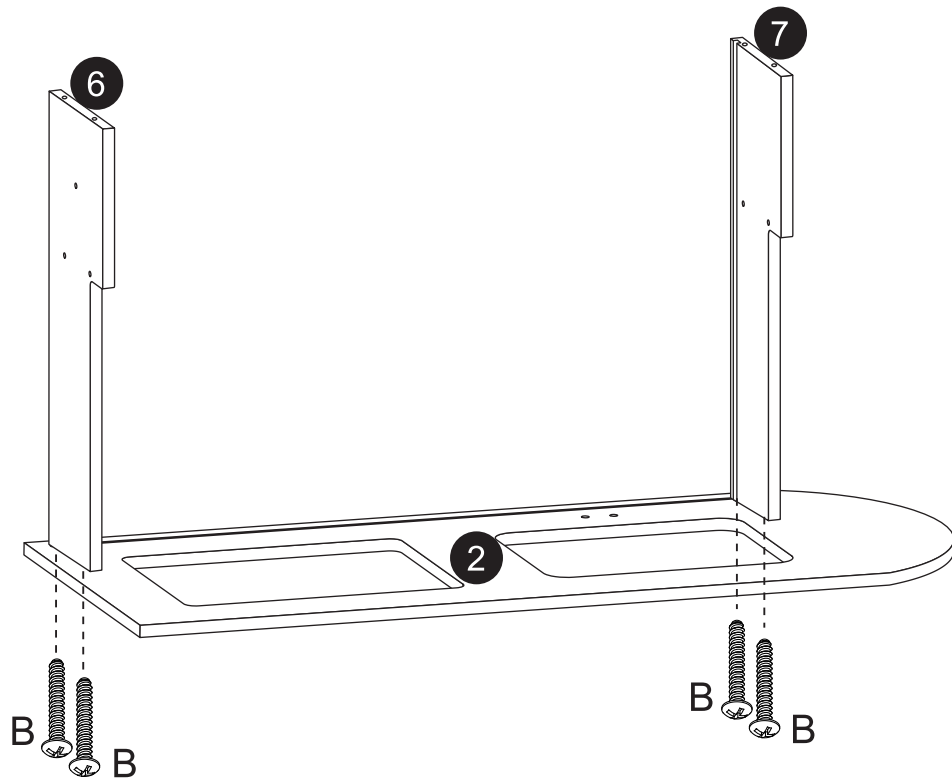


 This safety bracket is designed to fix the furniture to the wall and prevent it from tipping over if a child climbs or hangs on it. The package contains parts of 2 different ways to fix the bracket on the wall. Different wall materials require different types of fixing devices. If you are uncertain about what type of screw or fitting to use, please contact your hardware store.



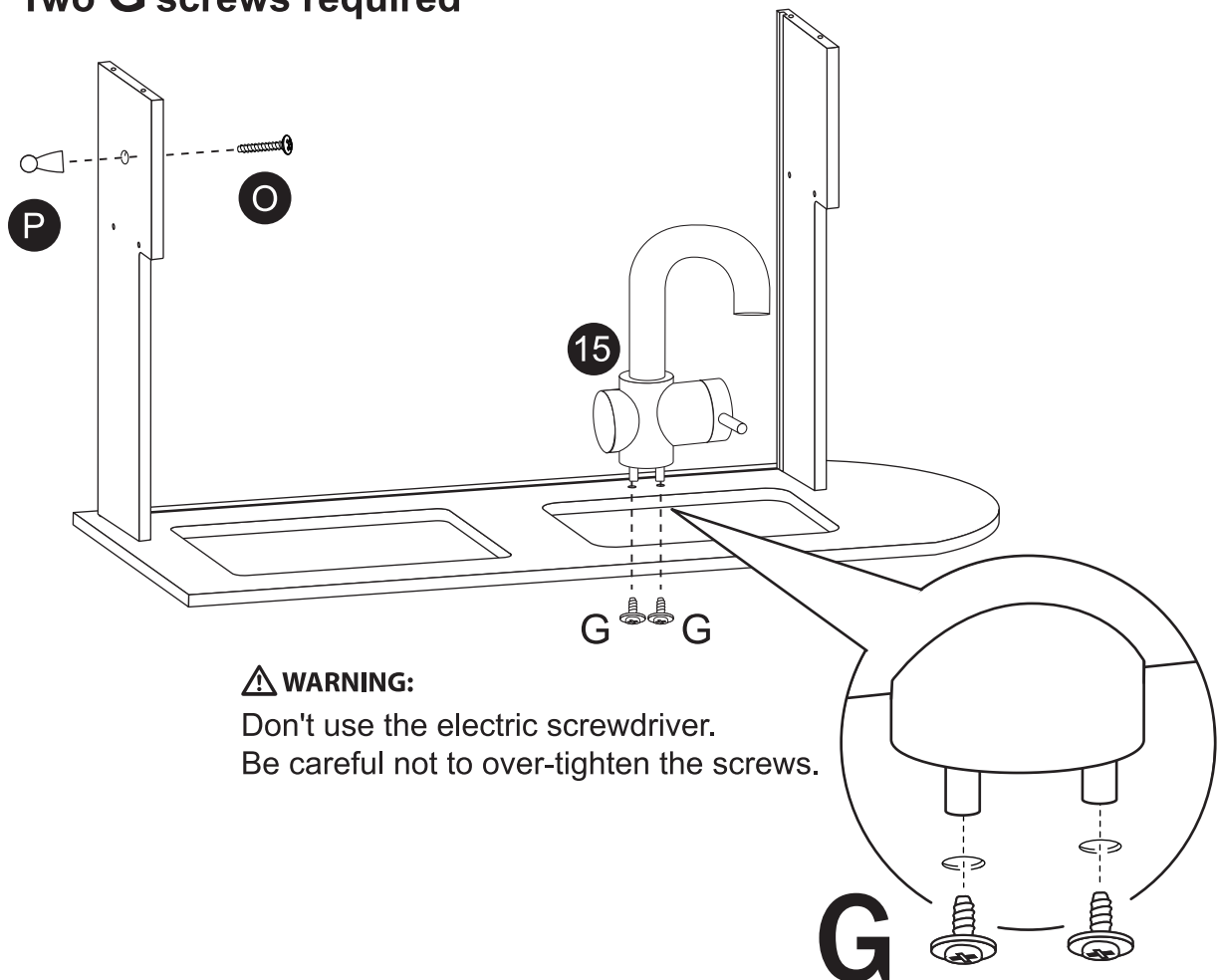
24

Four B screws required



25

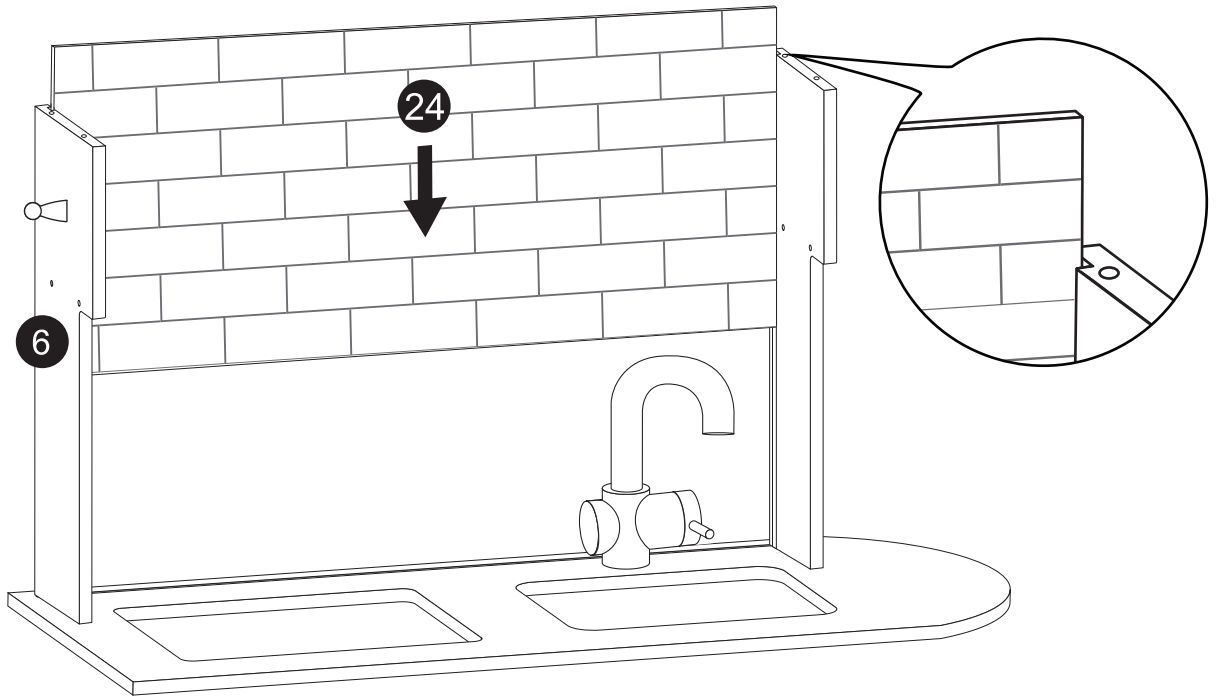
Two G screws required



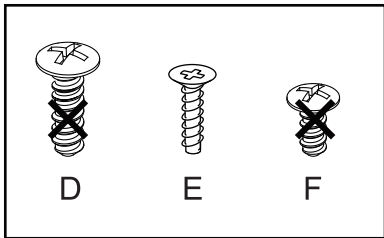
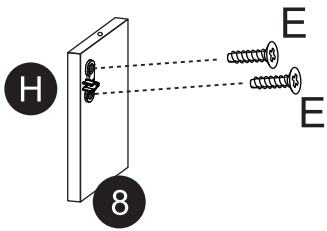
⚠ WARNING:

Don't use the electric screwdriver.
Be careful not to over-tighten the screws.

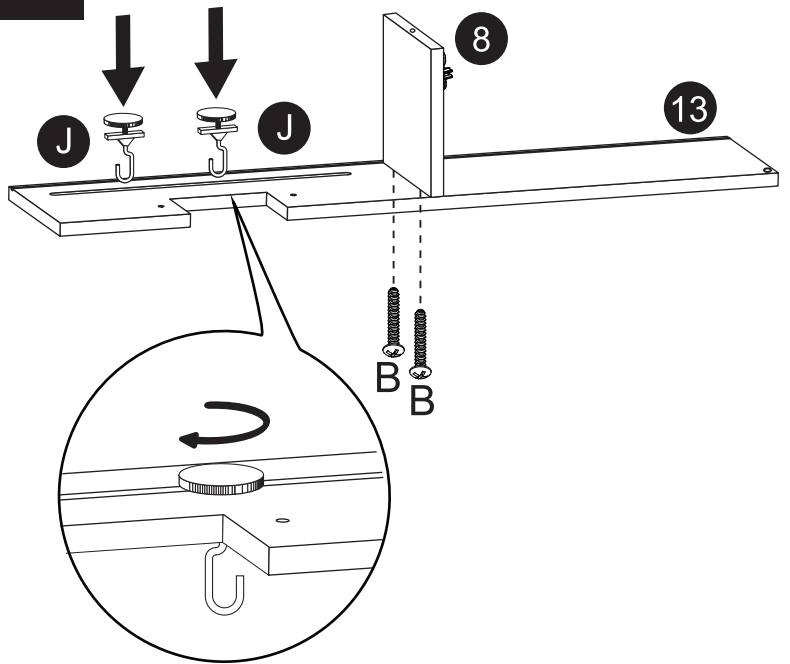
26



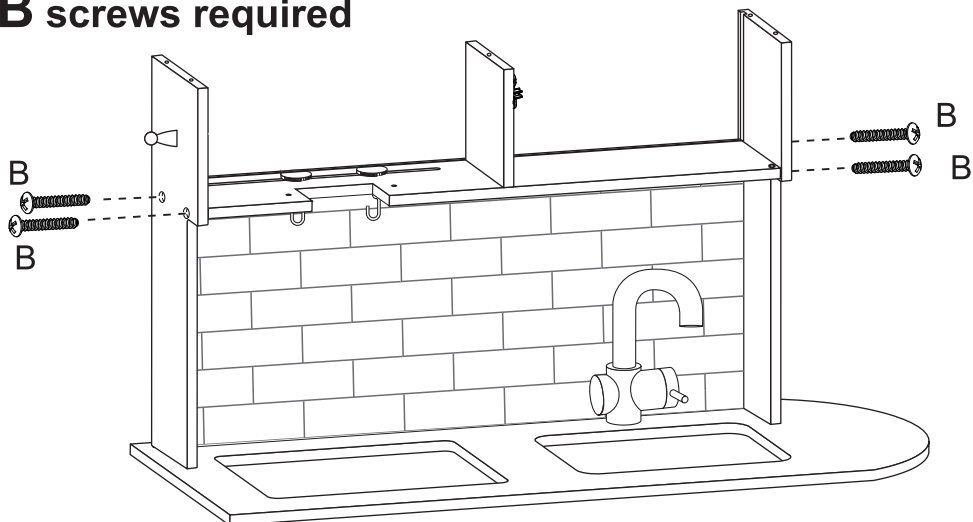
27 Two E screws required



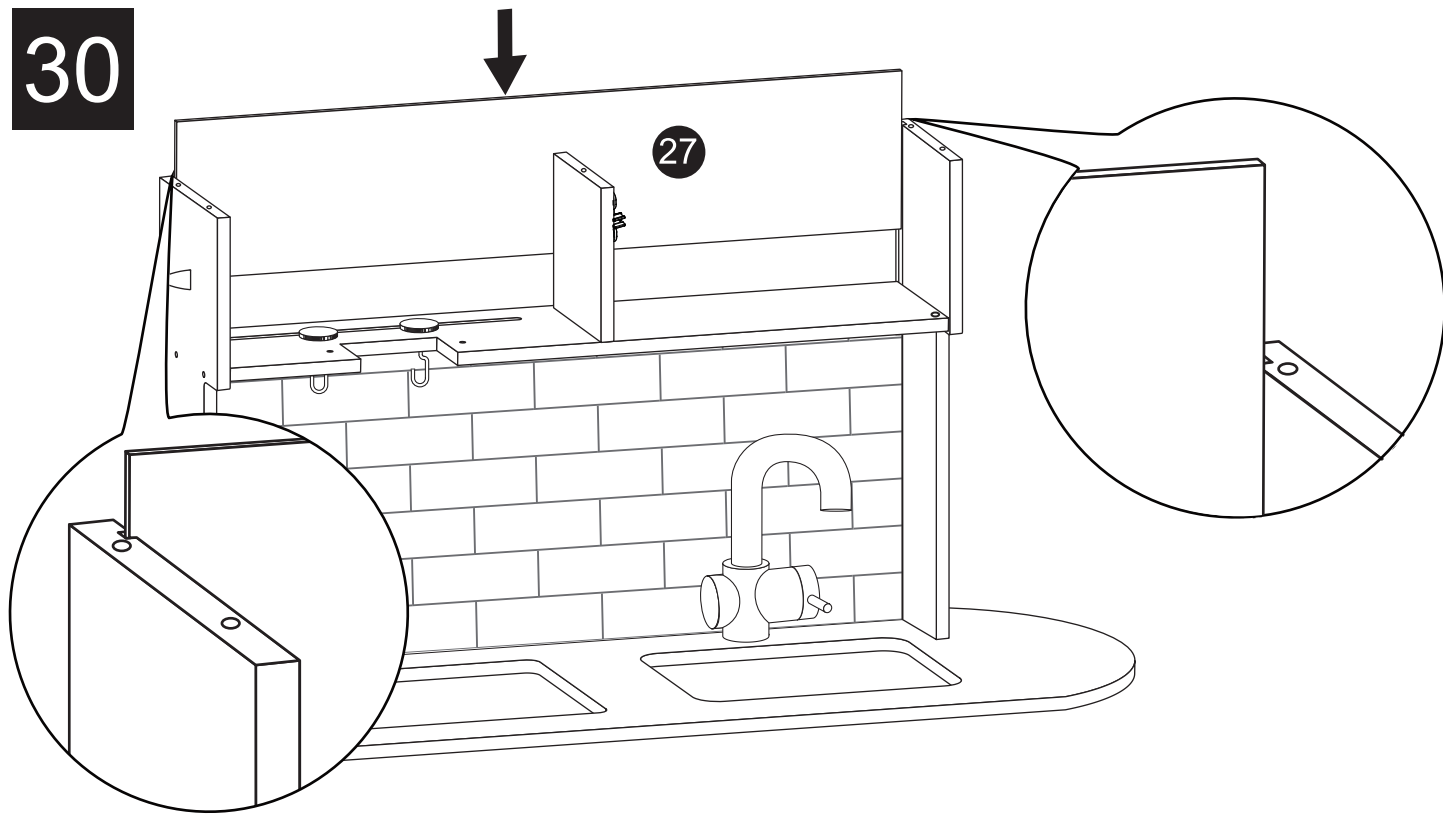
28 Two B screws required



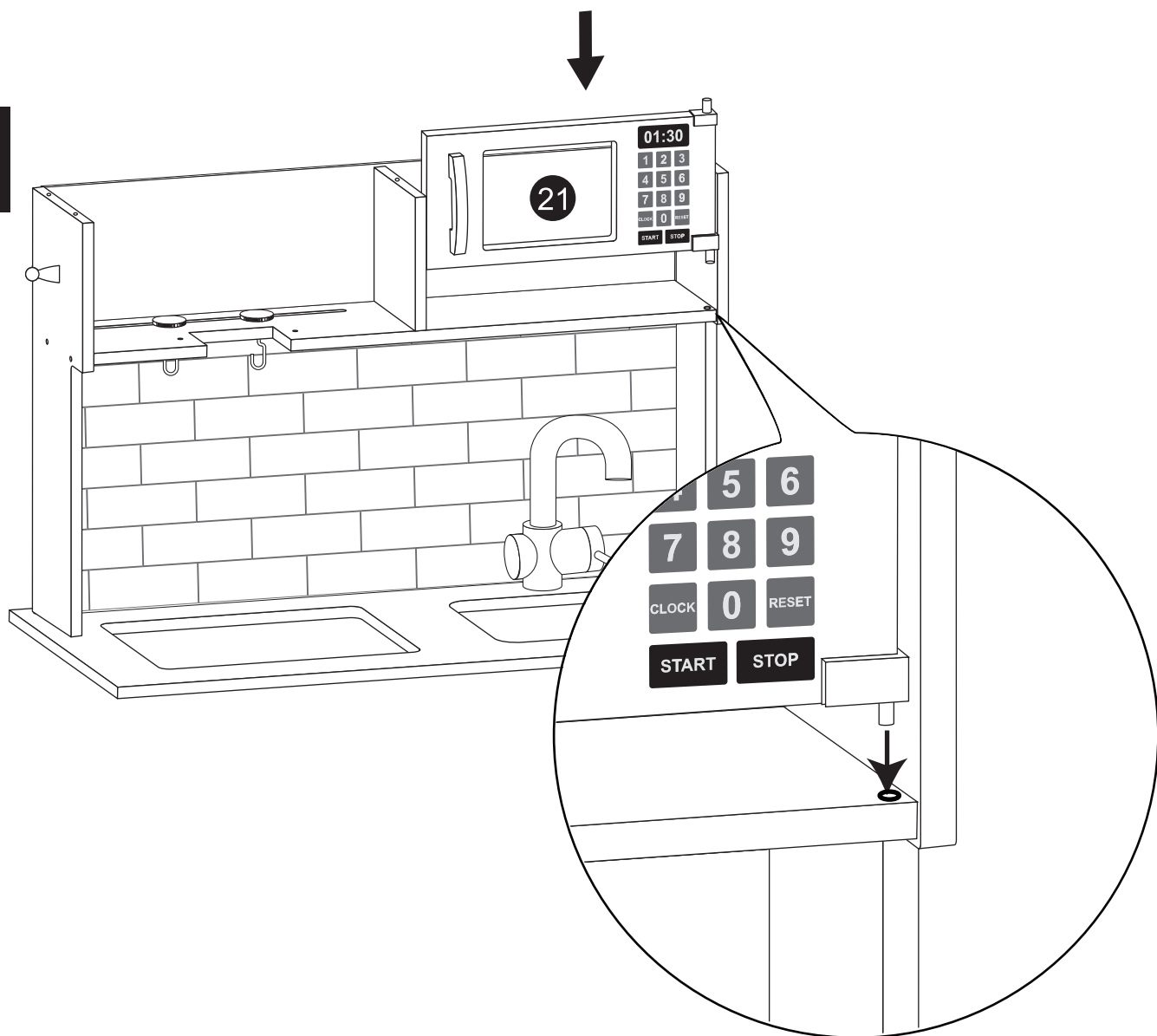
29 Four B screws required

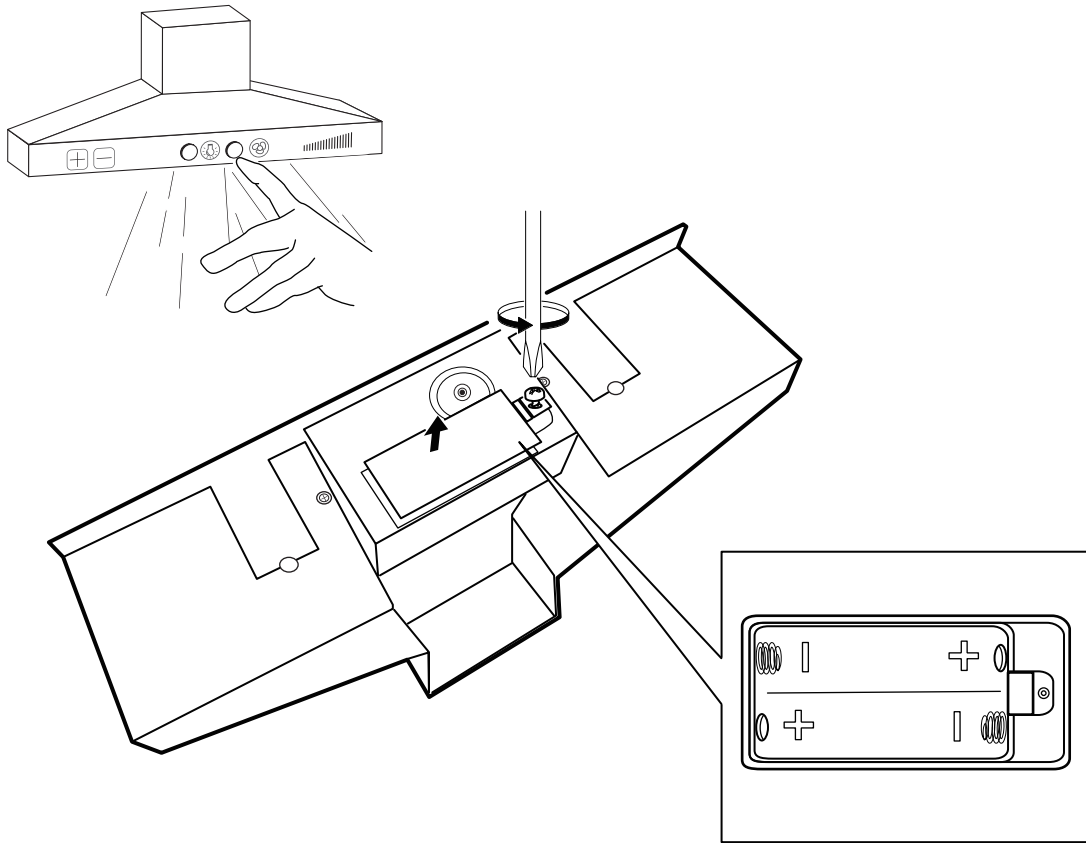


30



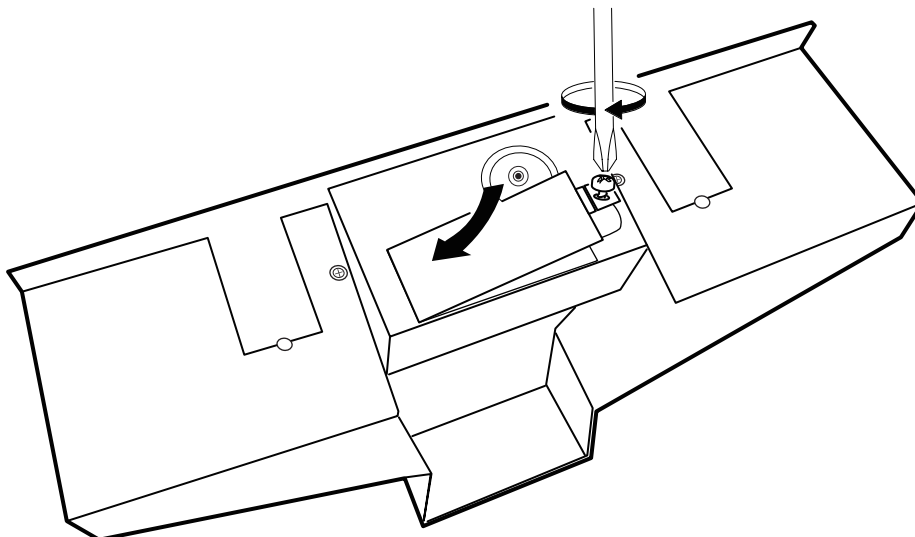
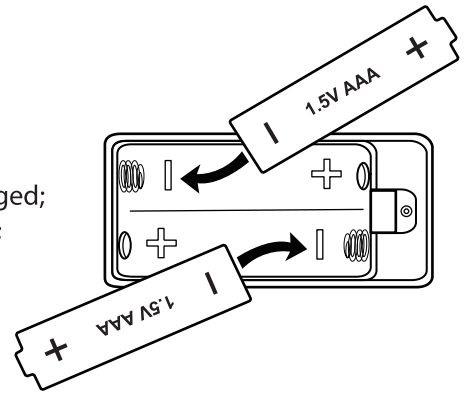
31



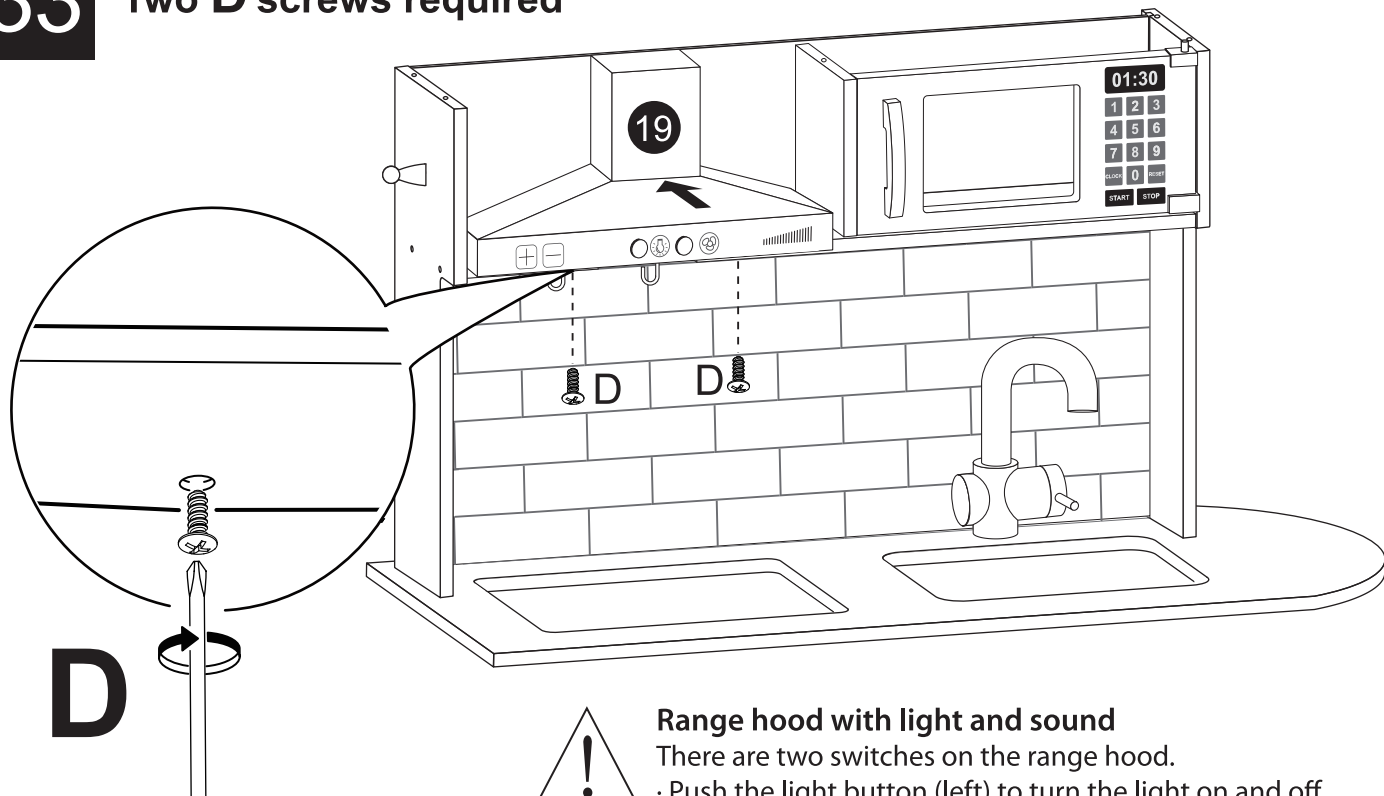


⚠ WARNING:

- 2 × 1.5V AAA Batteries;
- Non-rechargeable batteries are not to be recharged;
- Rechargeable batteries are only to be charged under adult supervision;
- Rechargeable batteries are to be removed from the toy before being charged;
- Different types of batteries or new and used batteries are not to be mixed;
- Batteries are to be inserted with the correct polarity;
- Exhausted batteries are to be removed from the toy;
- The supply terminals are not to be short-circuited.



33 Two D screws required



Range hood with light and sound

There are two switches on the range hood.

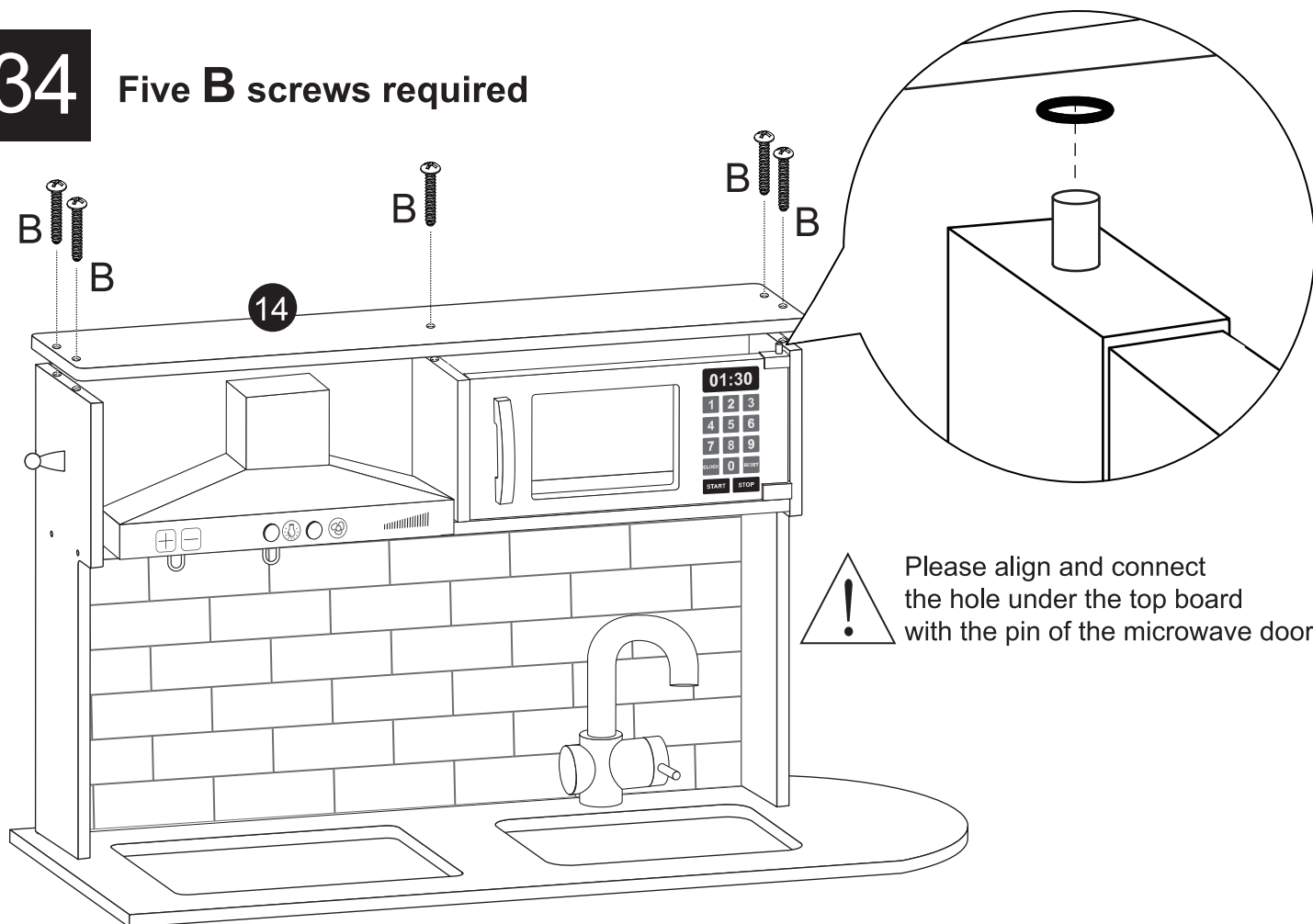
· Push the light button (left) to turn the light on and off.

Note: the light turns itself off automatically after 3 minutes.

· Push the sound button (right) to turn the sound on.

Note: the sound turns itself off automatically after 15 seconds.

34 Five B screws required



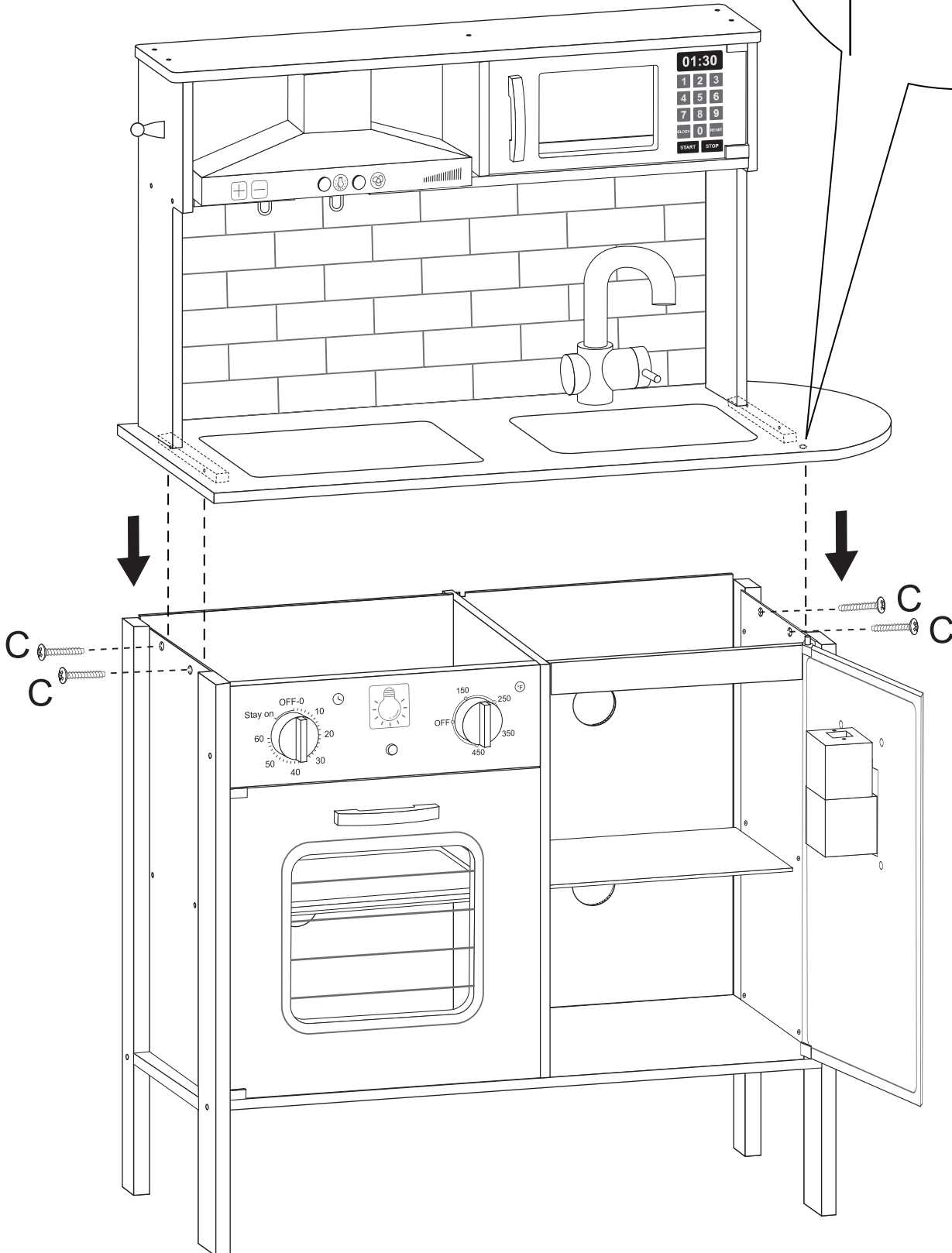
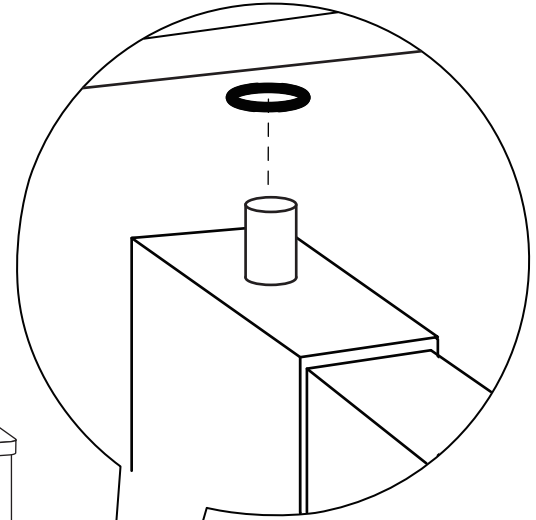
Please align and connect the hole under the top board with the pin of the microwave door.

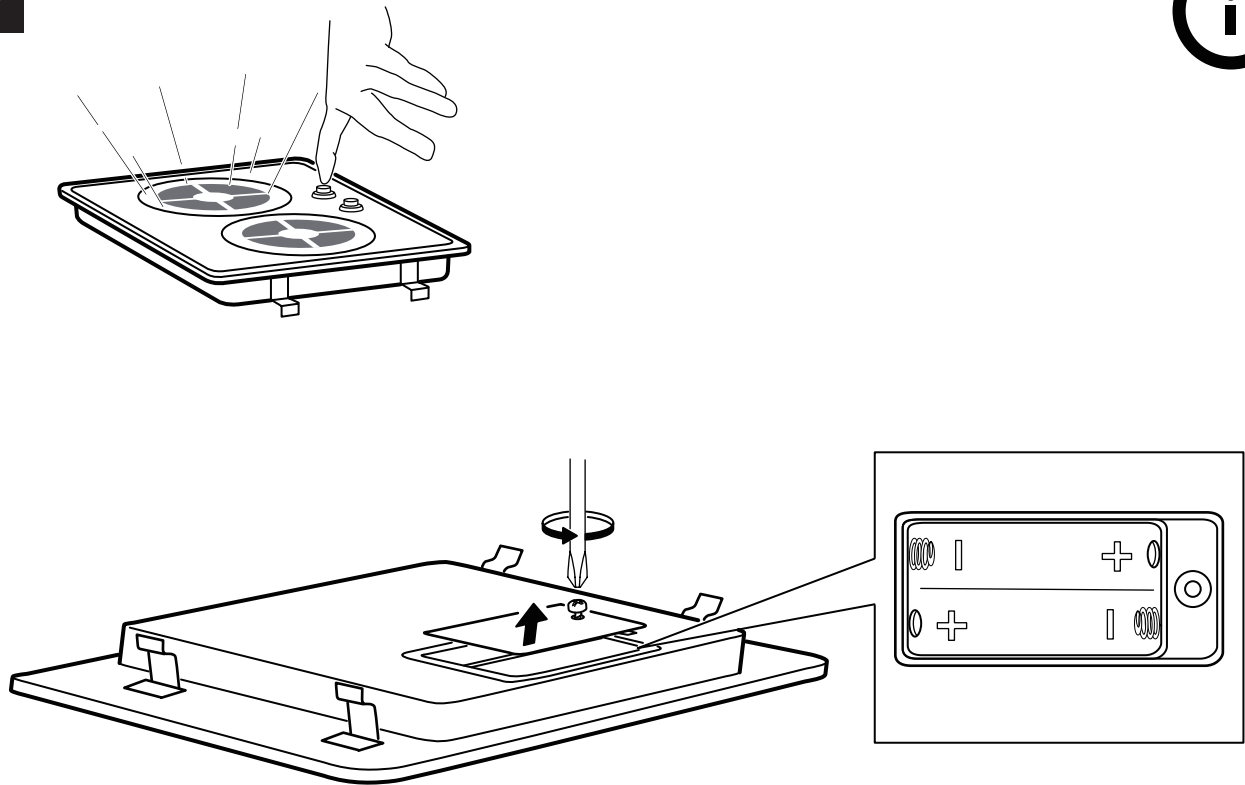
35

Four C screws required



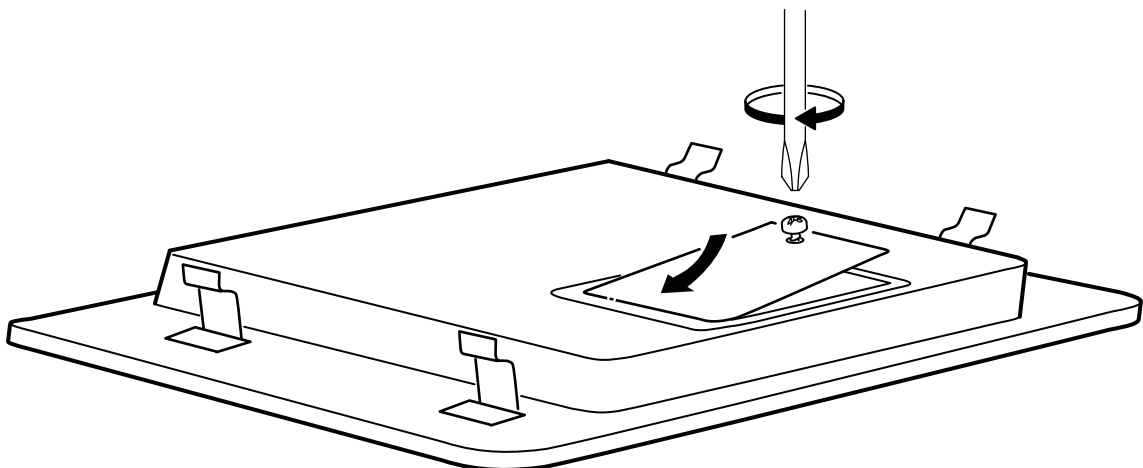
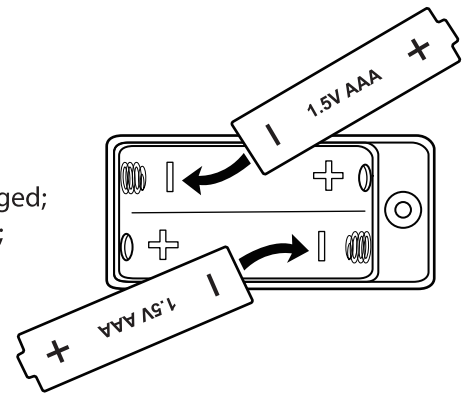
Please align and connect the hole under the working surface with the pin of the refrigerator door.

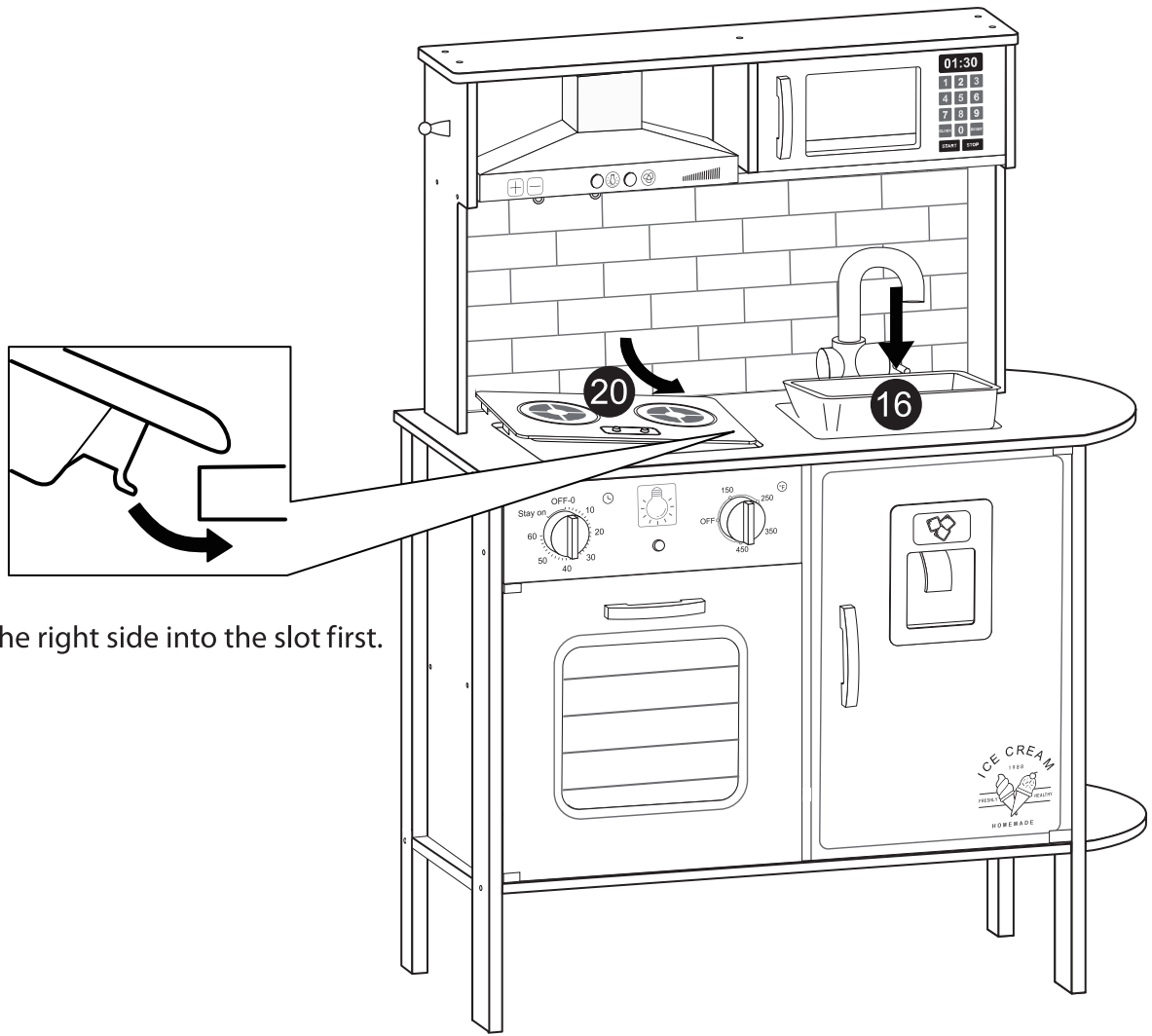




⚠ WARNING:

- 2 × 1.5V AAA Batteries;
- Non-rechargeable batteries are not to be recharged;
- Rechargeable batteries are only to be charged under adult supervision;
- Rechargeable batteries are to be removed from the toy before being charged;
- Different types of batteries or new and used batteries are not to be mixed;
- Batteries are to be inserted with the correct polarity;
- Exhausted batteries are to be removed from the toy;
- The supply terminals are not to be short-circuited.

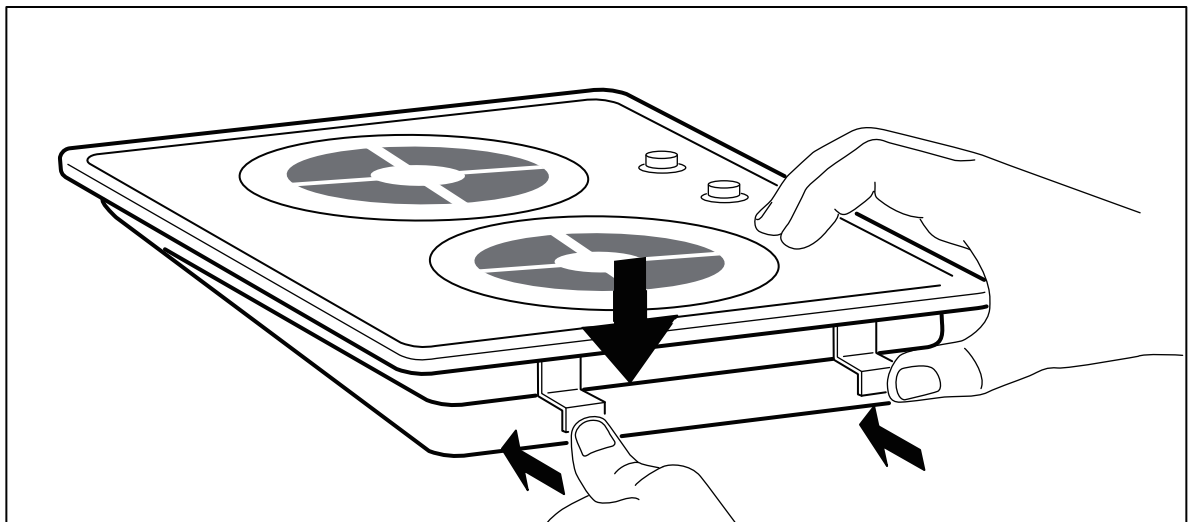




Put the right side into the slot first.

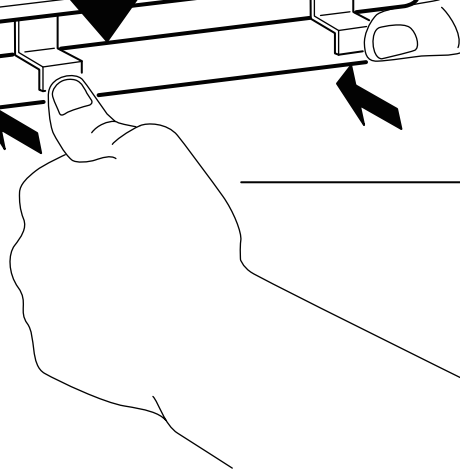


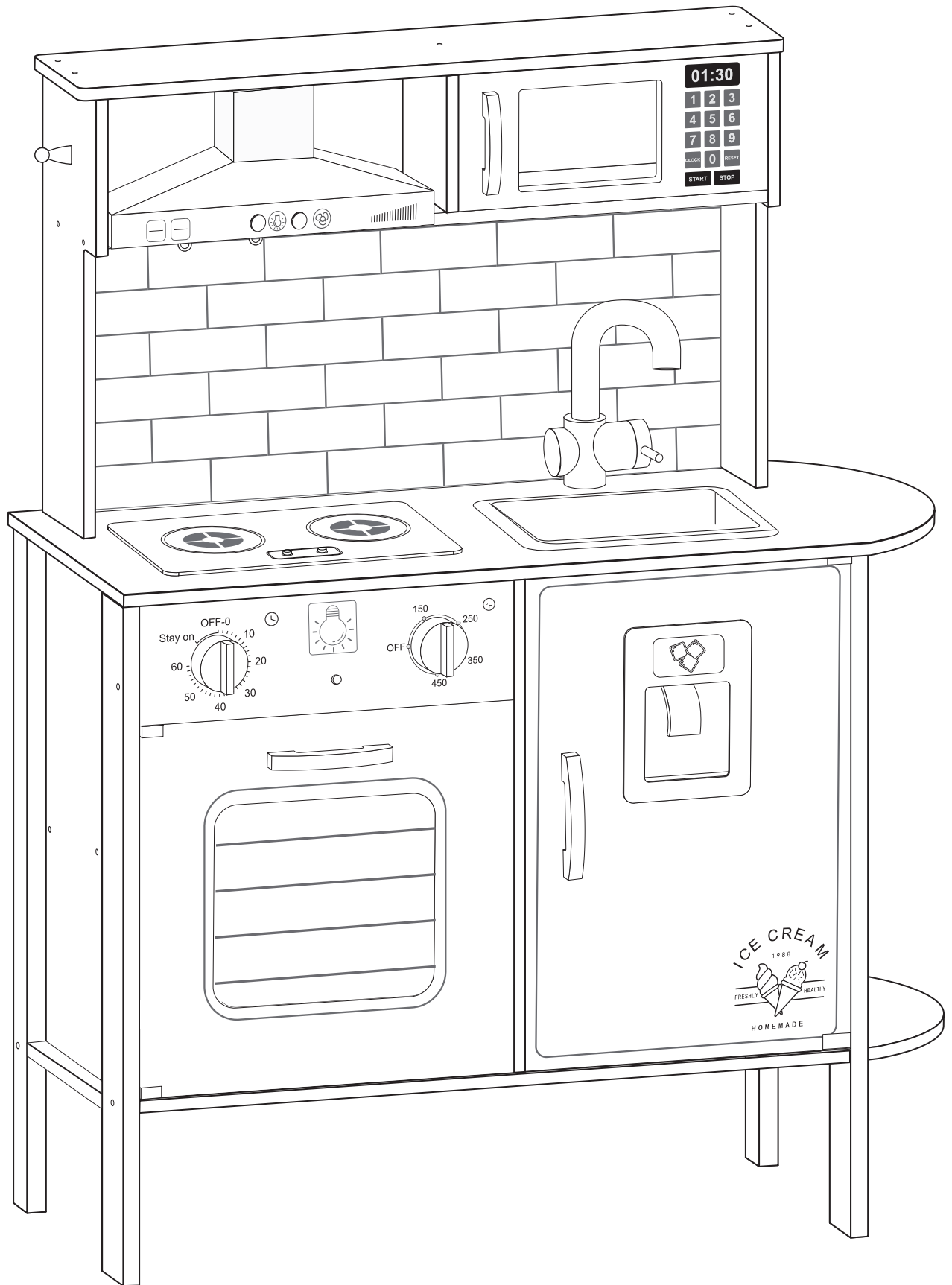
Squeeze the snap on the left side and push it down into the slot.



Turning the stove elements on and off

There are two buttons on the cooktop. Press the left or right button to turn the light of the respective stove element on and off, as well as the sound. Note: the light and sound turns itself off automatically after 6 seconds.

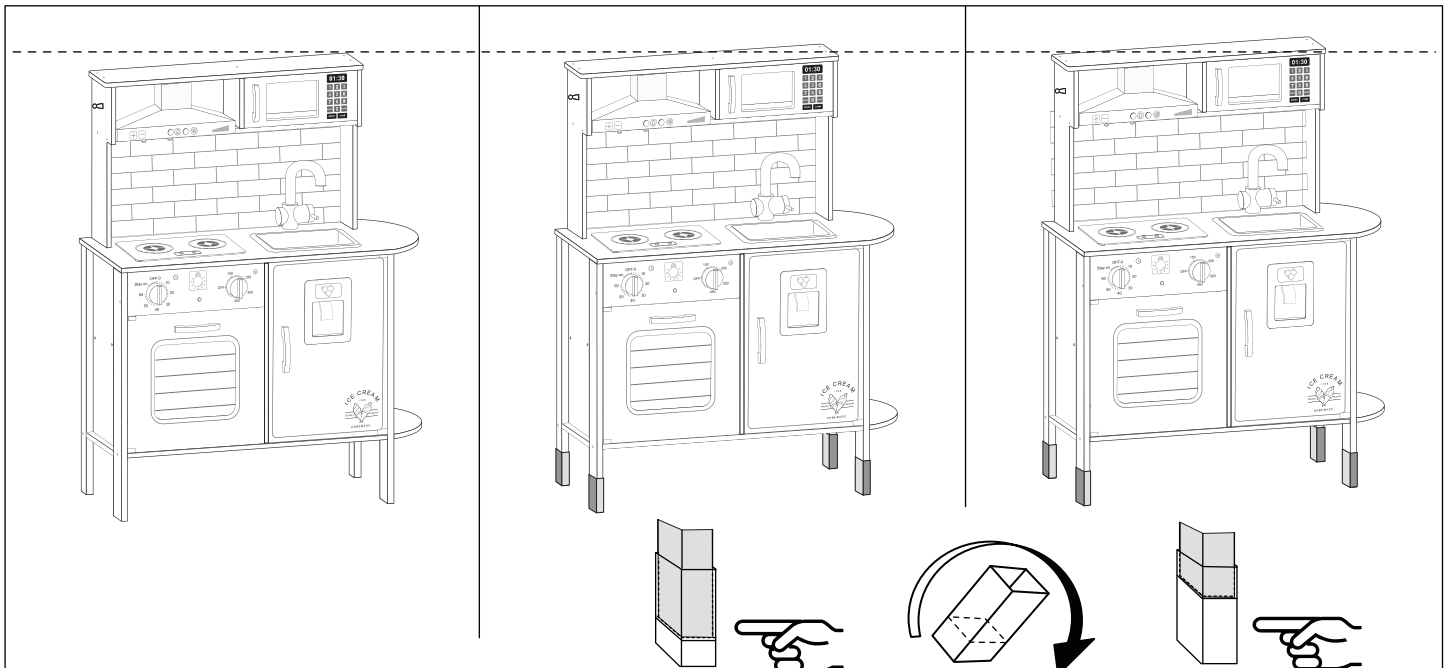
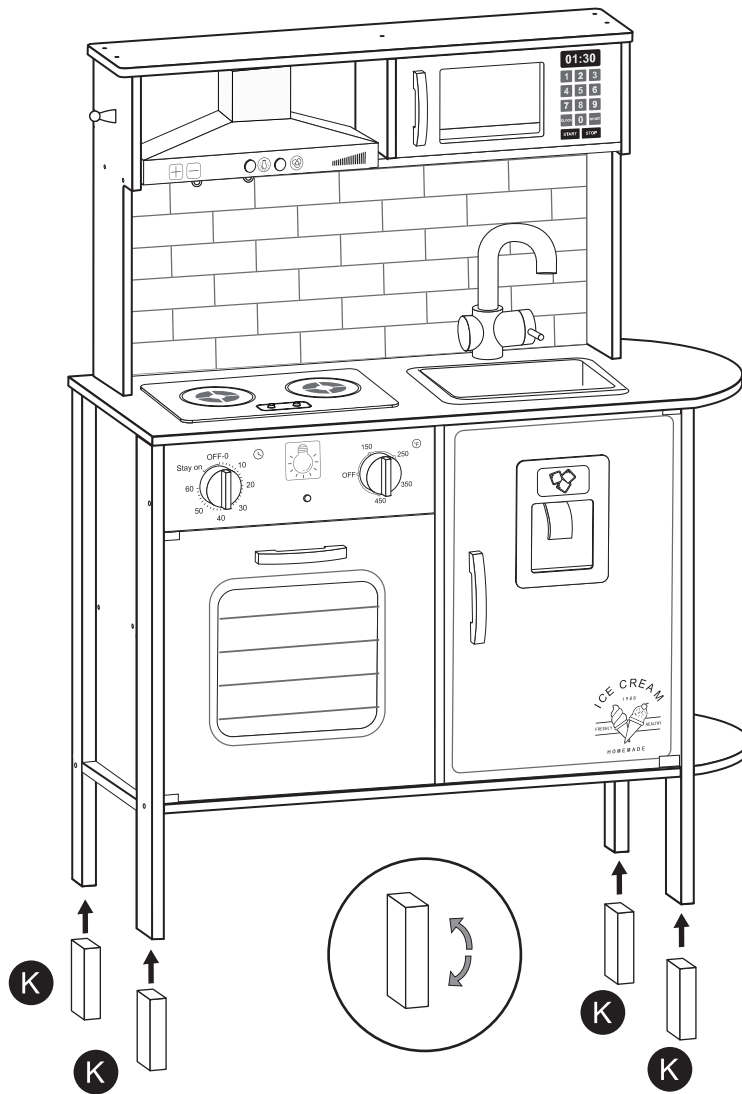




Storage, cleaning

When not in use, always store the product dry, clean, without batteries, and at room temperature. Wipe clean with a dry cloth only.

IMPORTANT! Never clean the product with harsh cleaning agents. Wash the apron, hat on a gentle wash cycle. Wash only with similar colors.



Setting the height

- The product can be set at three different heights. The foot(K) have varying heights.
- The product can be raised, depending on which side you put the foot onto the legs of the product.
- Without foot sleeve, the product is 38.5 inches(97 cm) high.
- With the foot sleeve, the product is adjustable to 40 inches(101 cm) and 40.7 inches(103 cm).



Scan the QR code above
to view the detailed instruction video