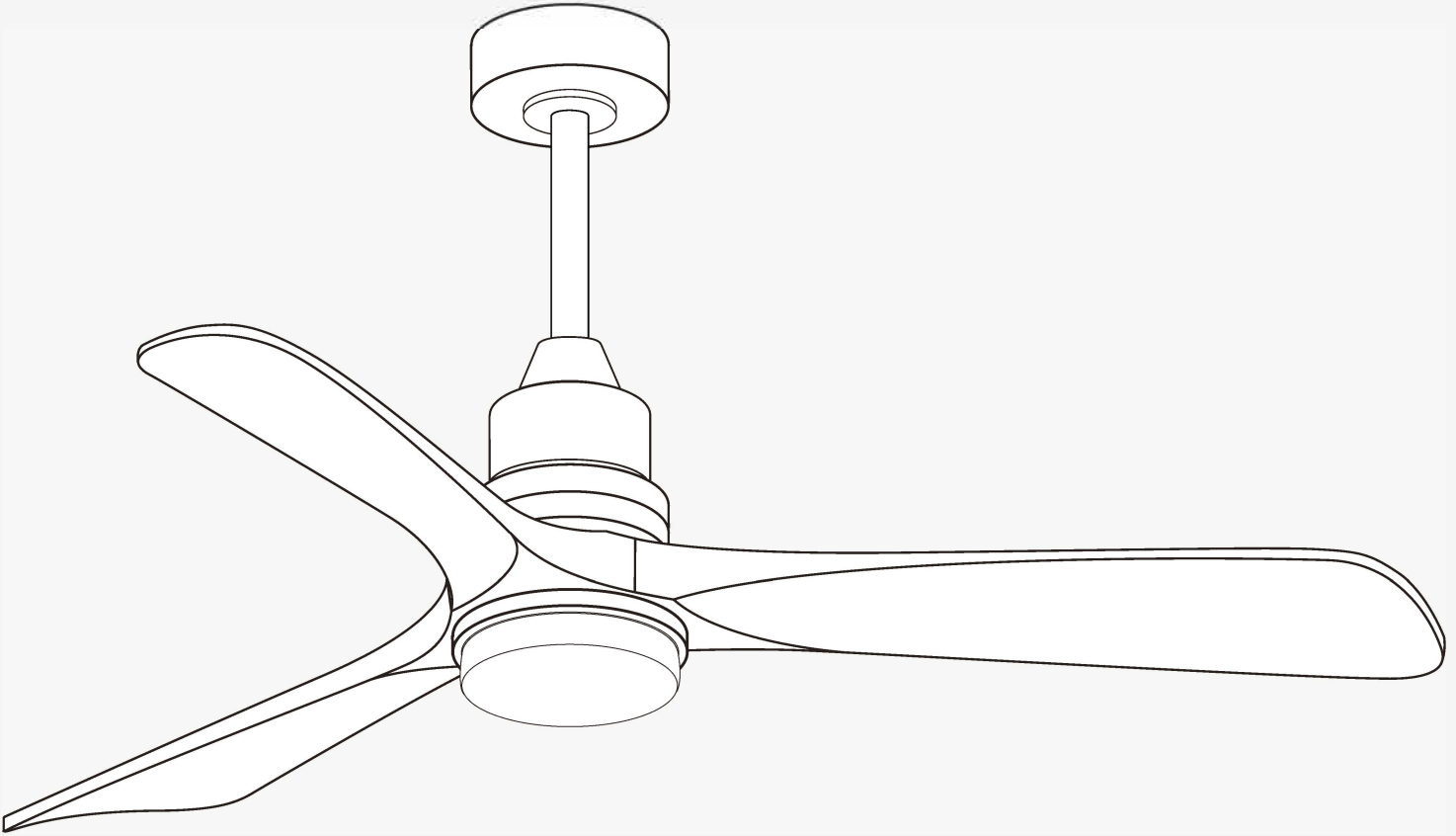


Ceiling Fan



USER MANUAL

Thanks for Choosing

Your support means the world to us. We hope you enjoy our products much as we did creating it.

CONTENTS

01 IMPORTANT SAFETY INSTRUCTIONS	01
02 PACKAGE CONTENTS	02
03 BEFORE INSTALLATION	03
04 ASSEMBLING THE CEILING BRACKET	04
05 ASSEMBLING THE BLADES	05
06 ASSEMBLING THE LIGHT KIT	06
07 ASSEMBLING THE DOWNROD	07-08
08 HANGING YOUR CEILING FAN	09-11
09 USING YOUR CEILING FAN	12-13
10 LINK TO APP	14-16
11 LINK TO ALEXA	17-18
12 LINK TO GOOGLE	19-20
13 CLEANING AND MAINTENANCE	21
14 TROUBLESHOOTING	22
15 CUSTOMER CARE	23

IMPORTANT SAFETY INSTRUCTIONS

01

READ AND SAVE THESE INSTRUCTIONS

- 1. WARNING:** To Reduce The Risk Of Fire, Electric Shock, Or Personal Injury, Mount Directly To A Structural Framing Member Or To An Outlet Box Marked Acceptable for Fan Support of 15.9 kg (35 lbs). For Outlet Box Mounting, Use Mounting Screws Provided With The Outlet Box.
- To avoid possible electrical shock, before installing or servicing your fan, disconnect the power by turning off the circuit breakers to the outlet box and associated wall switch location. If you cannot lock the circuit breakers in the off position, securely fasten a prominent warning device, such as a tag, to the service panel.
- To reduce the risk of electric shock, this fan must be installed with an isolating wall control/switch.
- 4. WARNING:** To reduce the risk of personal injury, do not bend the blade brackets when installing the blade brackets, balancing the blades, or cleaning the fan. Do not insert foreign objects in between rotating fan blades.
- Chemical burn hazard. Keep batteries away from children. This remote contains a lithium button cell battery. If a new or used lithium button/coin cell battery is swallowed or enters the body, it can cause severe internal burns and can lead to death in as little as 2 hours. Always completely secure the battery compartment. If the battery compartment does not close securely, stop using the product, remove the batteries, and keep it away from children. If you think batteries might have been swallowed or placed inside any part of the body, seek immediate medical attention. Dispose of cells properly and keep away from children. Even used cells may cause injury.
- Non-rechargeable batteries are not to be recharged. Exhausted batteries are to be removed from the product.
- This appliance can be used by children aged from 8 years and above and persons with reduced physical, sensory or mental capabilities or lack of experience and knowledge if they have been given supervision or instruction concerning use of the appliance in a safe way and understand the hazards involved. Children shall not play with the appliance. Cleaning and user maintenance shall not be made by children without supervision. It is recommended that children be supervised to ensure that they are not using the appliance improperly.
- 8. WARNING:** To reduce the risk of fire or electric shock or injury to persons, do not use replacement parts that have not been recommended by the manufacturer (e.g. parts made at home using a 3D printer).
- Read all instructions and safety information before installing your new fan. Review the accompanying assembly diagrams.
- Before installing the fan, disconnect the power by removing fuses or turning off circuit breakers.
- Make sure all electrical connections comply with local law and the national electrical code. Please hire a qualified electrician or consult a do-it-yourself wiring handbook if you are unfamiliar with installing electrical wiring.
- Make sure the installation site is roomy enough to allow fan blades to rotate. There is at least seven feet from the floor to fan blades' tips.
- If you are mounting the fan on a ceiling outlet box, please use a metal outlet box. Secure the box directly to the building structure. The outlet box and its support must be able to support the rotating fan (at least 35 lbs). Do not use a plastic outlet box. Attach the mounting bracket using the ceiling outlet box's hardware.
- After installing the fan, make sure all the connections are secured so that the fan won't fall.
- Do not insert anything between fan blades while the fan is operating.
- Turn the fan off and wait for it to stop before reversing fan's rotating direction.
- 17. WARNING:** To reduce the risk of electrical shock and personal injury, do not install the fan on a sloped ceiling and do not use this fan with any solid-state fan speed control device, or rheostat. You must install the outlet box using the two steel screws and lock washers coming with the fan.
- All wiring must be in accordance with national and local electrical codes ANSI/NFPA 70. If you are unfamiliar with wiring, use a qualified electrician.
- After making the wire connections, the wires should be spread apart with the grounded conductor and the equipment-grounding conductor on one side of the outlet box and the ungrounded conductor on the other side of the outlet box.
- The splices after being made should be turned upward and pushed carefully up into the outlet box.
- Instructions for supply connections: the white conductor of a fan identified as grounded conductor to be connected to a grounded conductor of power supply, the black conductor of fan identified as ungrounded conductor to be connected to an ungrounded conductor of power supply, the green conductor of fan identified for equipment grounding to be connected to an equipment-grounding conductor.
- The total weight of the fan install to outlet box is 6.9 kg, check that the outlet box is securely installed in place such that it is able to support at least the fan weight.
- When mounted directly to the building structure, appliance installation shall not expose combustible material and do not install the appliance to a ceiling with combustible finish. The installation of the appliance cannot leave the wood of the rafters or any thermal insulation exposed to the interior of the room.
- To Reduce The Risk Of Electric Shock, Disconnect The Electrical Supply Circuit To The Fan Before Installing Light Kit.

FOR HOUSEHOLD USE ONLY

Gentle Reminder:



Check the appliance regularly and refer to TROUBLESHOOTING or contact our customer support if it shows any of the following signs:

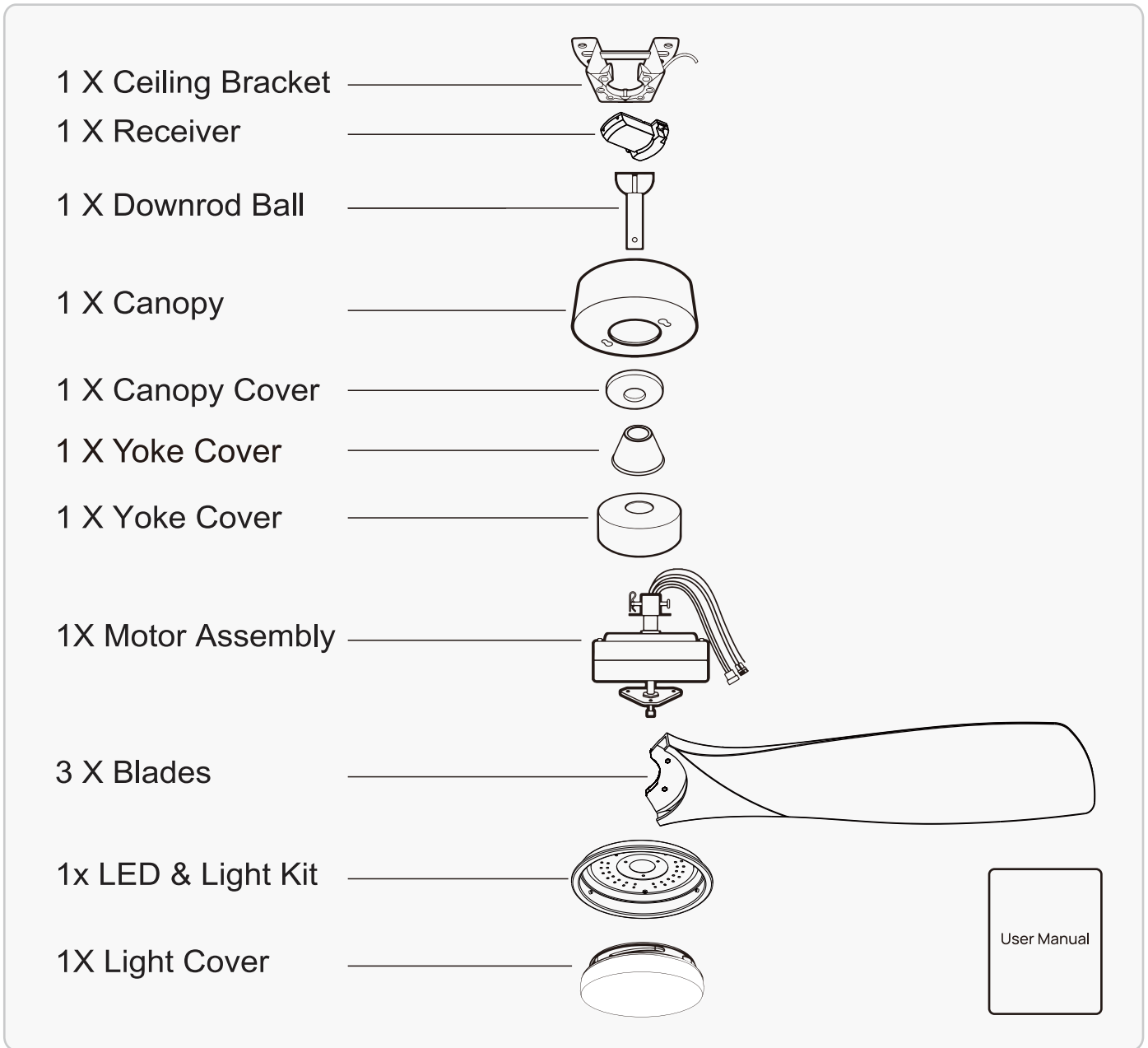
- Components or parts are damaged.
- Loud noise or unusual smell.







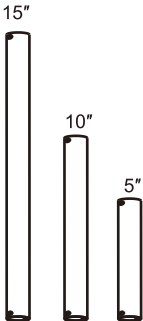
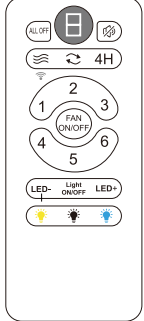


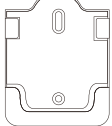
Specifications

Model No.	1
Power Supply	110-240V 60HZ
Rated Power	38W
Remote Control Battery	1.5V AAA

PACKAGE CONTENTS

02



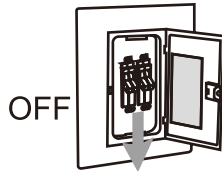
1 Parts for Ceiling Bracket	2 Parts for Blades	3 Parts for Downrod	4 Parts for Remote Control Holder
 Self-tapping Screws X 4  Expansion Bolt X 2  Wire Nut X 3	 Blade Screw Gasket X 8  Blade Screw X 8  Balance Kit X 2	 15" 10" 5" Downrod X 3	 Remote Control X1 (Batteries not included)  Remote Bracket Screw X2  Aircraft Cap X2  Remote Control Bracket X1

BEFORE INSTALLATION

03

⚠️ WARNING

To avoid serious injury or death, turn off the power at the circuit breaker before installing the fan.



⚠️ IMPORTANT

Input Voltage: 120 VAC, 60 Hz

- Connect the ground wire to the supply ground, ensuring its length exceeds that of the safety cable.
- A means for disconnection must be incorporated in the fixed wiring in accordance with the wiring rules.
- Do not connect the fan to a damaged power source.

Size Recommendations

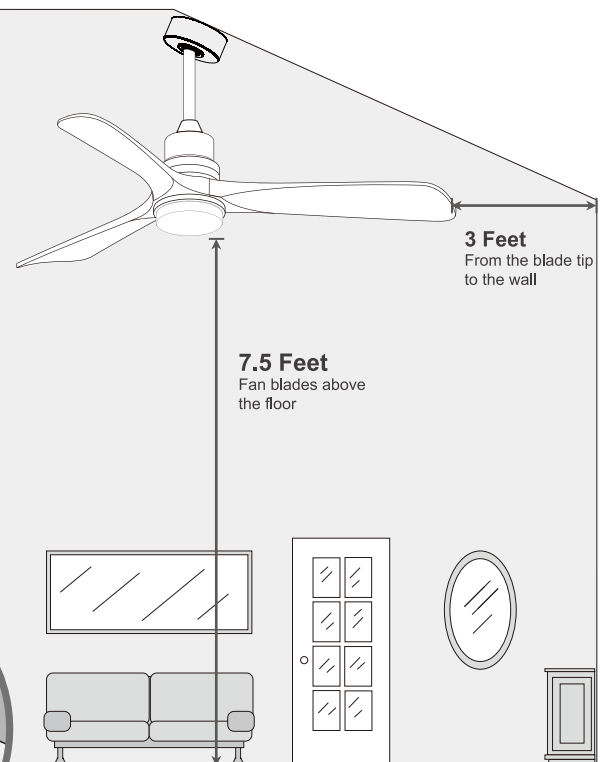
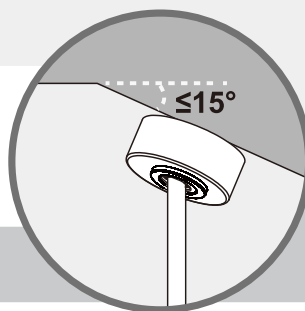
Select the Downrod

There are three downrods of 5'10"15 inch in the package, customers can choose according to the height of the house. (The normal default is to install on the 5inch downrod.)

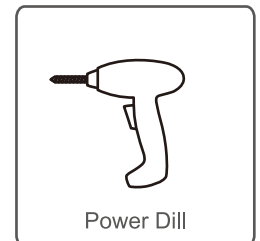
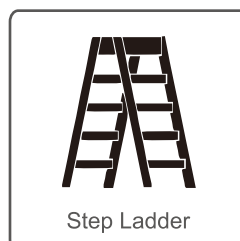
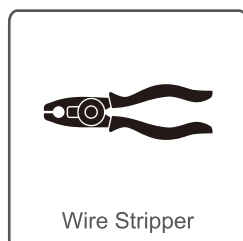
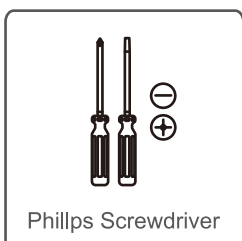
Ceiling Height	Downrod Length
9 feet	Included 5 to 10 inches
10 feet	15 inches
11 feet	15 to 24 inches
12 feet	36 inches
13 feet	40 inches

For separately sold longer downrods, please inquire at Andrew998866@outlook.com

Tip:
Ensure the ceiling angle NOT steeper than 15°.



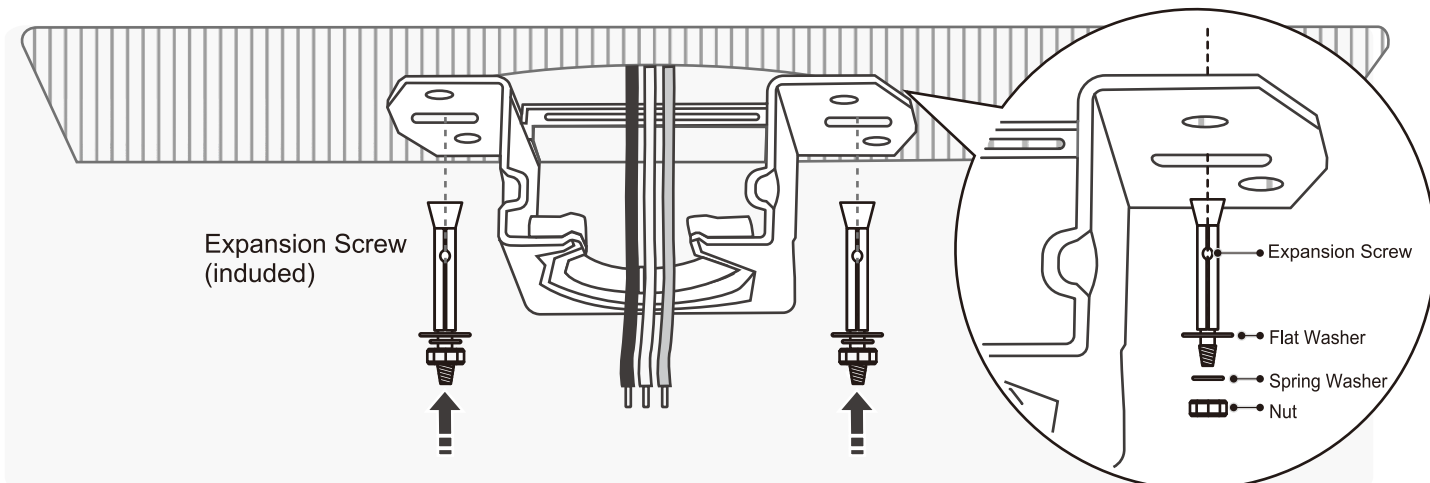
TOOLS NEEDED



ASSEMBLING THE CEILING BRACKET

04

Concrete Ceiling



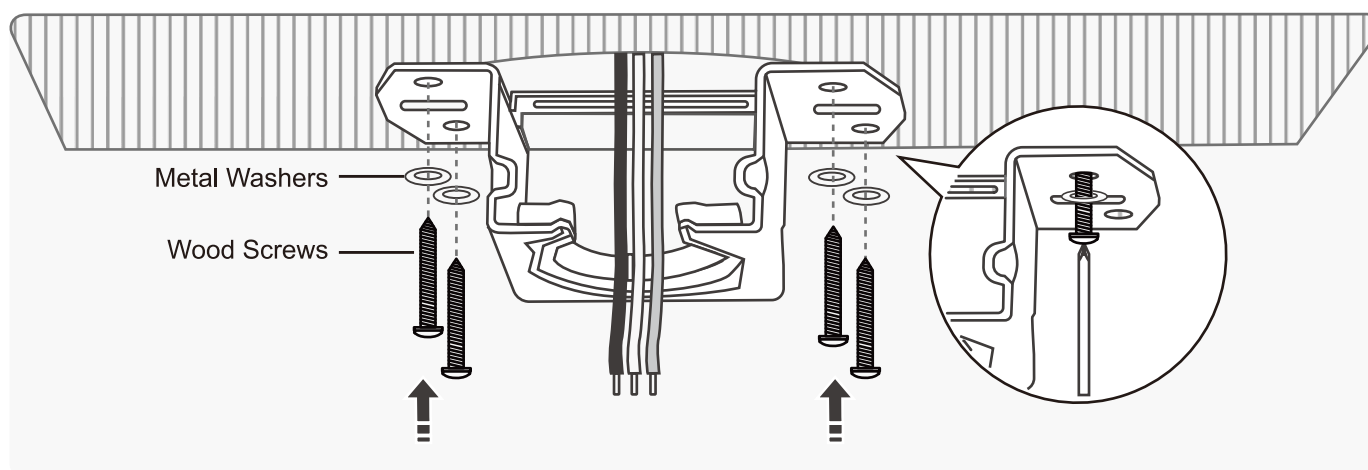
Concrete Ceiling:

Use expansion screws when:

Drill holes with an electric drill ($\phi 8$ mm).

Use expansion screws to fix the mounting bracket to the ceiling.

Wooden Ceiling



Wooden Ceiling:

Use wood screws when:

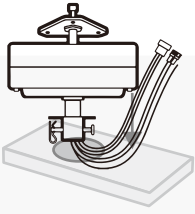
Securing to support structure with approved electrical outlet box.

Fasten the mounting bracket to the ceiling with Wood Screw.

Ceiling Bracket → Blades → Downrod → Hanging the Ceiling Fan → Light Kit

ASSEMBLING THE BLADES

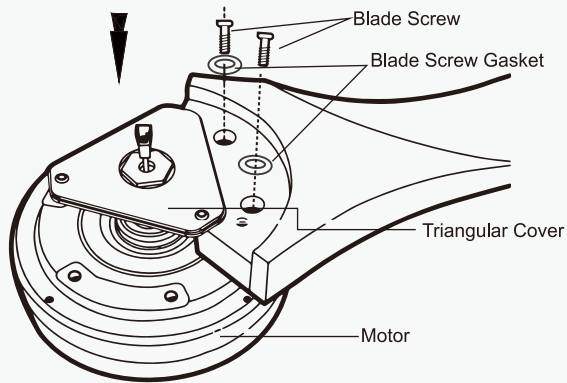
05



Gentle reminder:

Turn over the top foam box and place the ceiling fan body upward on its foam cavity when assembling the blades to prevent any damage to the wires.

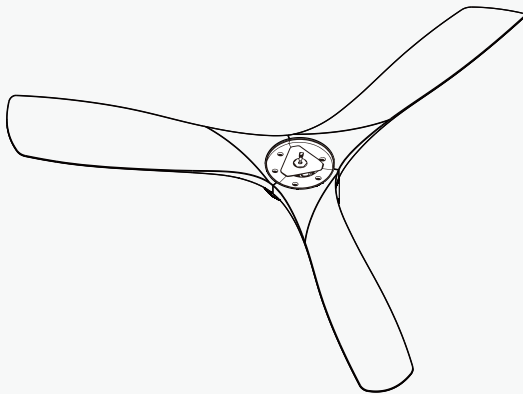
1



Align the holes on the blades, metal washer, and motor screw holes as shown in the illustration. Once aligned, insert and tighten the set screws.

Note: Please tighten the screws manually with a Phillips screwdriver. Using a power drill may damage the wooden blades.

2



After all the blades are installed onto the motor, securely tighten all the set screws.

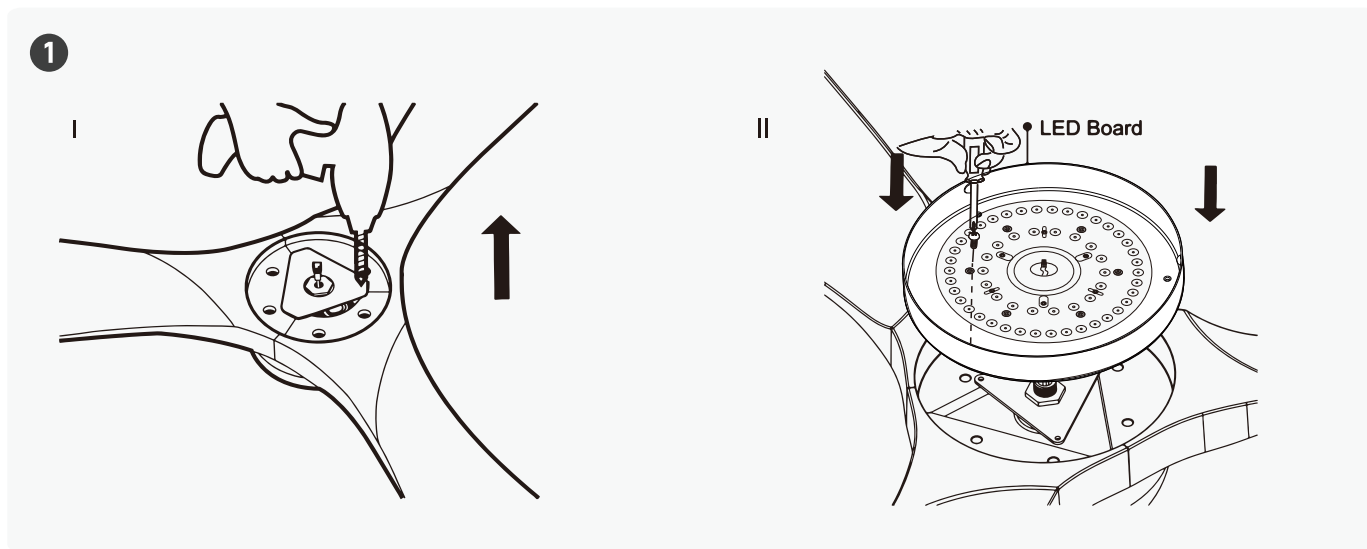
Caution: Ensure the blade gasket plug is properly positioned before tightening.

NOTE: For optimal performance, please ensure all fan blades are properly installed before use. Improperly mounted blades may cause wobbling or excessive noise during operation.

Ceiling Bracket → **Blades** → Light Kit → Downrod → Hanging the Ceiling Fan

ASSEMBLING THE LIGHT KIT

06



Loosen the screws of the upper triangular cover of the motor with an electric drill.

Thread the motor line through the LED board, then align the LED board with the triangular cover on the motor and put it on.



The light is held by screws. Connect the central motor wire to the light.

NOTE: The three screws on the lamp panel are part of the lamp panel's structural composition, and there is no need to tighten or remove the screws again.

Ceiling Bracket → Blades → **Light Kit** → Downrod → Hanging the Ceiling Fan

ASSEMBLING THE DOWNROD

07



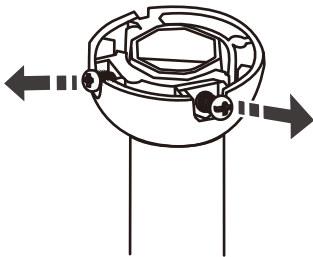
! WARNING: FAN FALL HAZARD

To prevent SERIOUS INJURY or DEATH:

- ALWAYS tighten setscrew with screwdrivers.
- DO NOT hand tighten setscrew.
- CHECK the setscrew is tight using screwdrivers each time you change fan direction.

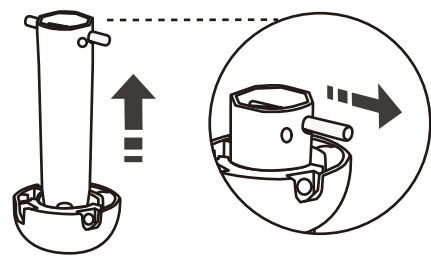
The downrod ball has been pre-installed on the 5-inch downrod. For extended downrod replacement of 10 inch or 15 inch, please follow these steps.

1



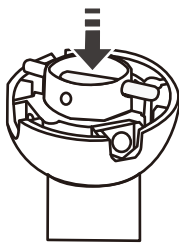
Loosen and remove the two screws on the downrod ball from the 5-inch downrod.

2



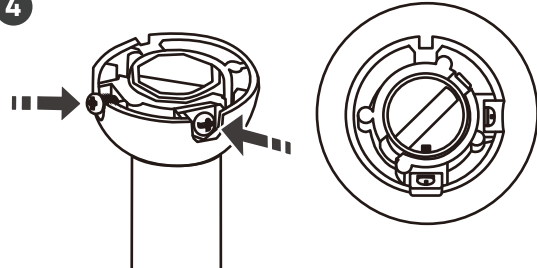
Lift the downrod upwards, then remove the horizontal bar, and detach the downrod ball from the 5-inch

3



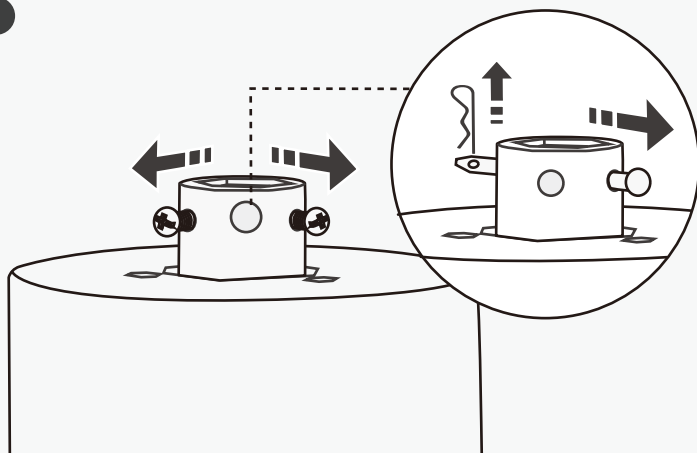
Tighten the two screws on the downrod ball from the 10-inch downrod position.

4



Insert the first perforated screw tightly, and then insert the second screw tightly.

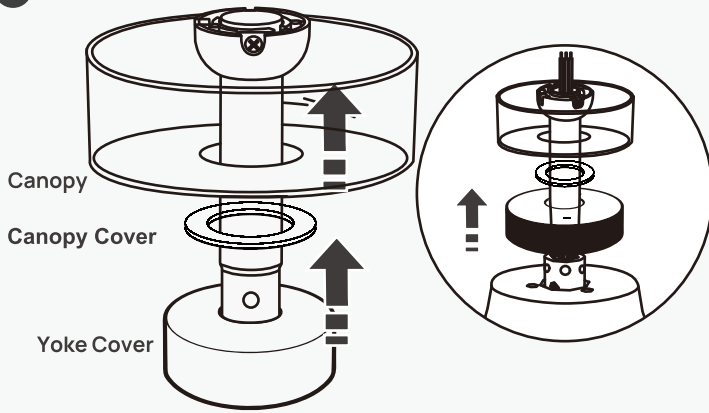
1



Remove the pre-installed set screws and downrod pin.

Ceiling Bracket → Blades → Light Kit → **Downrod** → Hanging the Ceiling Fan

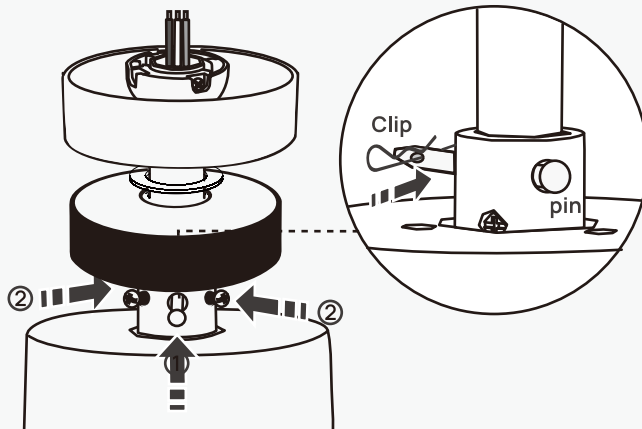
2



Insert the canopy and then the yoke cover to the downrod.

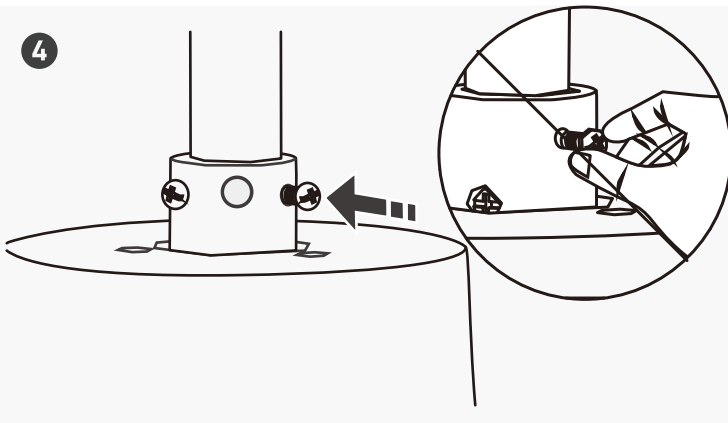
Pass all the wires to one side of the horizontal bar in the downrod to prevent excessive wire tangling.

3



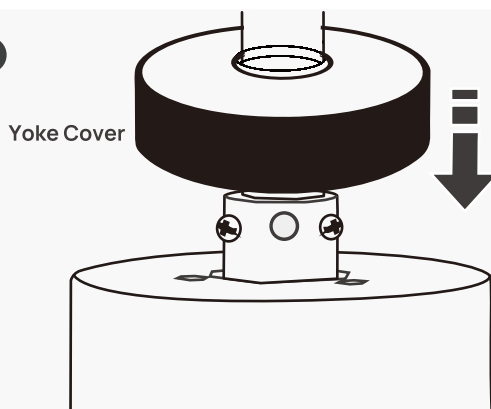
Carefully slide the downrod into the yoke of the motor assembly. Align the holes in the downrod. Carefully re-install the downrod pin and clip.

4



Tighten the set screws with a screwdriver.

5



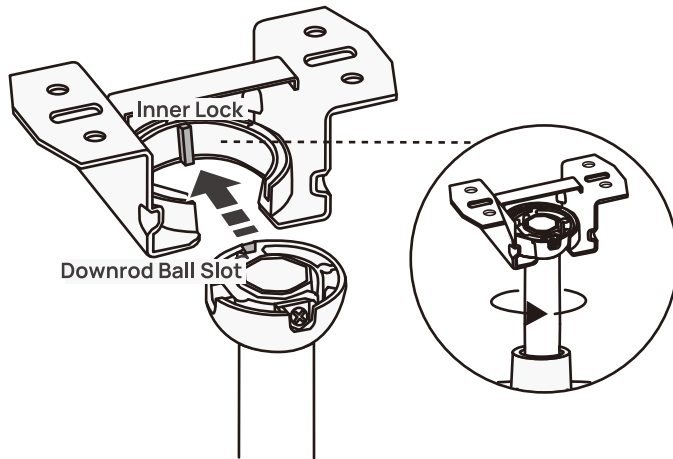
Put down the yoke cover.

Ceiling Bracket → Blades → Light Kit → **Downrod** → Hanging the Ceiling Fan

HANGING YOUR CEILING FAN

08

1

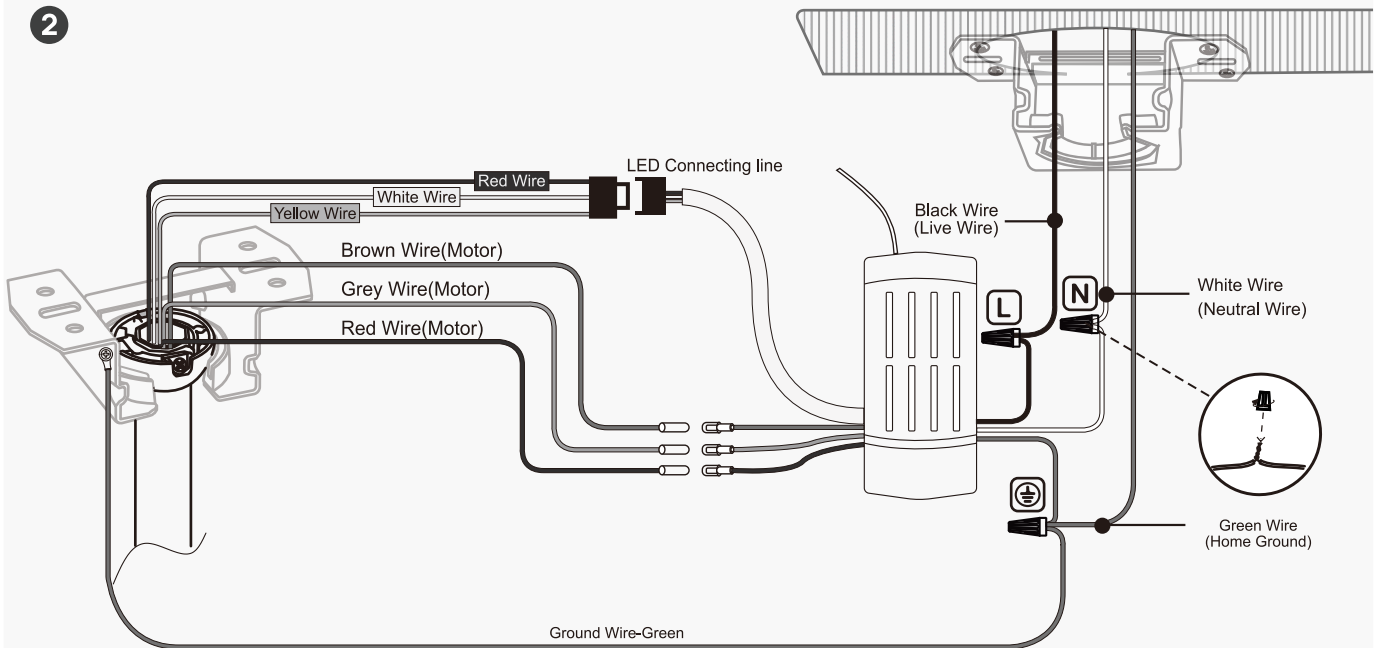


Place the downrod ball into the ceiling bracket.

Make sure the downrod ball slot matches the inner lock.

Rotate the downrod until it's secured.

2



Plug the motor wire terminal and supply wire terminal into the corresponding wire terminals of the receiver and properly connect the wires.

NOTE: Twist the bare metal ends of the wires together and fit a wire nut over them. Swivel the wire nut clockwise until tight. Give it a gentle pull to ensure none of the wires come off.

NOTE: Please do not connect to an AC Wall Switch.

NOTE: Connect the same-colored wires, matching correctly and follow the plug connections.



Live Wire



Neutral Wire



Ground Wire

Ceiling Bracket → Blades → Light Kit → Downrod → **Hanging the Ceiling Fan**

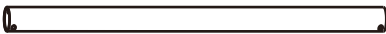
For Extended Downrod Installation

I

36inch
(Not included)



48inch
(Not included)

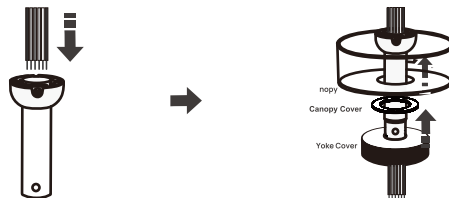


72inch
(Not included)



Select compatible downrod.
(Not included)

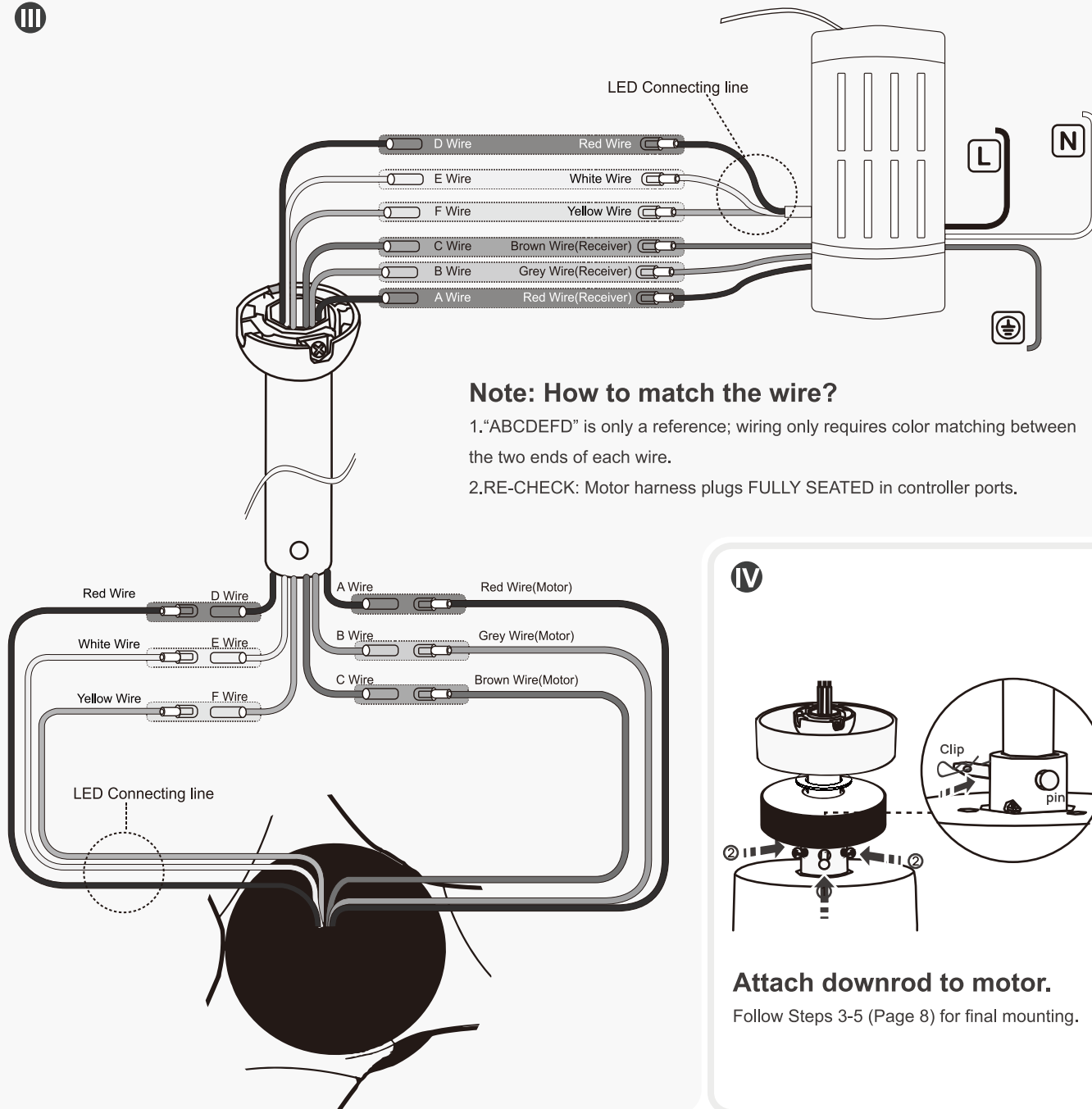
II



Feed extension wiring through downrod.

- 1.Refer to Downrod Ball Assembly (Page 7).
- 2.Thread accessories (e.g. yoke cover) onto rod BEFORE wiring.

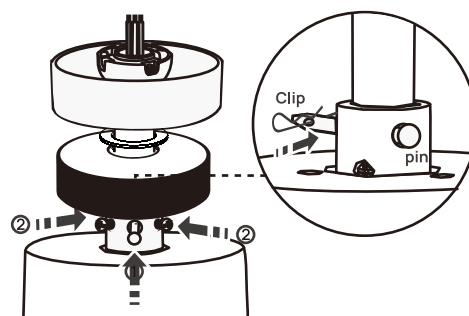
III



Note: How to match the wire?

- 1.“ABCDEFD” is only a reference; wiring only requires color matching between the two ends of each wire.
- 2.RE-CHECK: Motor harness plugs FULLY SEATED in controller ports.

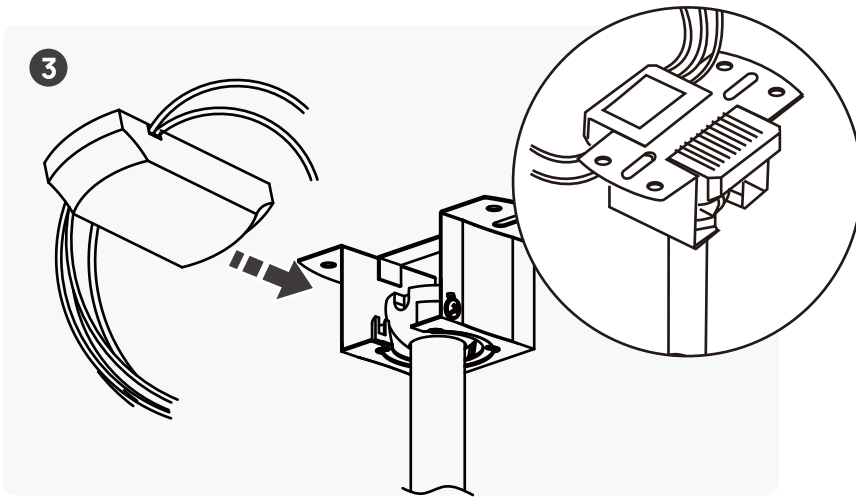
IV



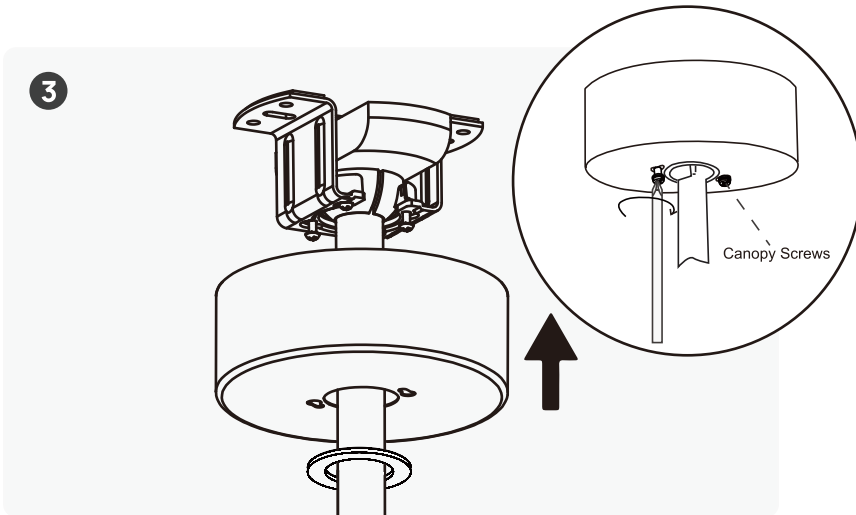
Attach downrod to motor.

Follow Steps 3-5 (Page 8) for final mounting.

Ceiling Bracket → Blades → Light Kit → Downrod → Hanging the Ceiling Fan

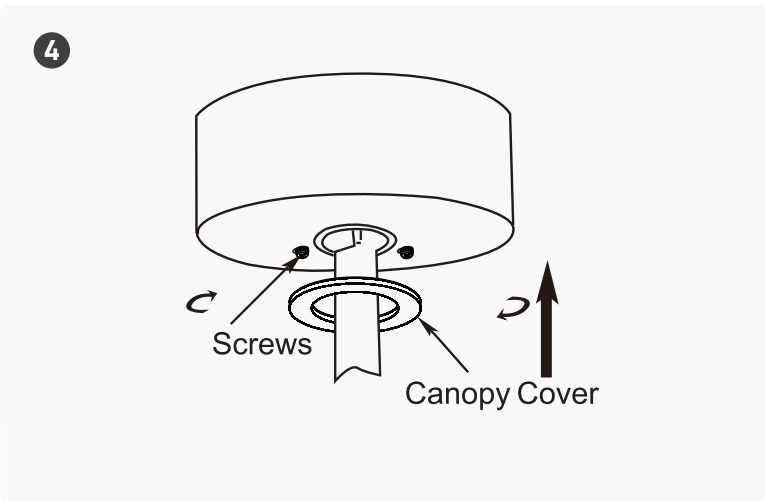


Insert the remote receiver into mounting bracket.

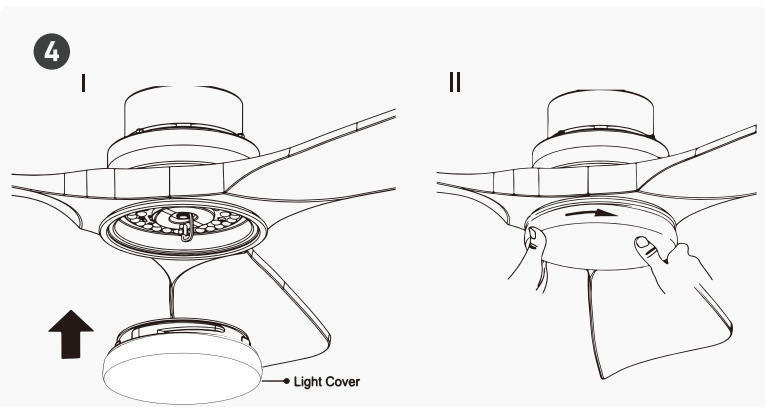


Rotate the canopy clockwise. Align the screws on the bracket with the holes in the canopy and snap them into place.

Tighten all the canopy screws with a screwdriver.



Push the canopy cover up and align the holes with the two screws.
-Rotate clockwise until it engages.

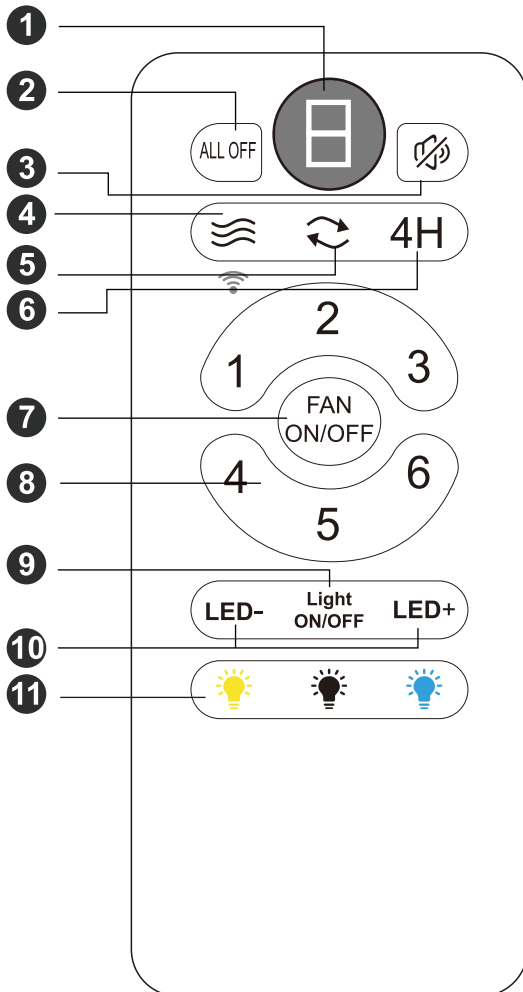


Rotate the light cover clockwise to tighten it.


Ceiling Bracket → Blades → Downrod → Hanging the Ceiling Fan → **Light Kit**

USING YOUR CEILING FAN

09




- 1 Fan Speed Display
- 2 ALL OFF
- 3 Mute Button (Press and hold the Mute Button for 3 seconds to turn the beep sound on or off)
- 4 Natural Wind (Wifi Pairing)
- 5 Fan Forward/Reverse Rotation
- 6 4H Timer
- 7 Fan ON/OFF (Pairing)
- 8 6-Speed Fan Control
- 9 Light ON/OFF (Press to switch)
- 10 Brightness + / - (Press and hold)
- 11 Color Temperature Selection Buttons

-  • Install 1.5*2 volt battery (**Not included**) (To prevent damage to transmitter,remove the battery if not used for a long time).
- Do not place the remote control in an excessively hot or humid environment

REMOTE CONTROL SETTING

How to pair the remote control?

Step 1. Turn the power off for at least 5 seconds, then turn the power on.

Step 2. Within 5 seconds of powering on,point the remote at the controller and hold the button () for about 2 seconds.

Step 3. A "beep" sound indicates successful learning.

Note: Code-pairing won't be completed if the power-on time exceeds 5 seconds.



Tip: Do not use any other dimmer or speed controller.

If you need compatible ac/dc wall switch,contact us and we will help!



Tip: Memory Function Command

With the memory function, the controller can save the set/asjusted status(light and speed)while supply power off and resume to the original state after reload the power supply.

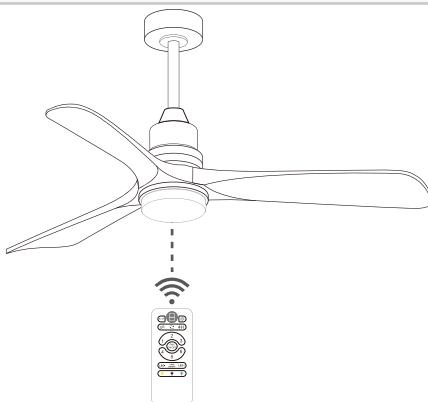
How to save the color temperature?--After turning off the light, wait for 10s before reopening it to save the color temperature.




If the fan receiver does not power on or emit a beep sound after pairing, please contact us for a free replacement of the entire remote and controller set!

(The remote control and the receiver are a matched set and they need to be replaced or used as a whole.)

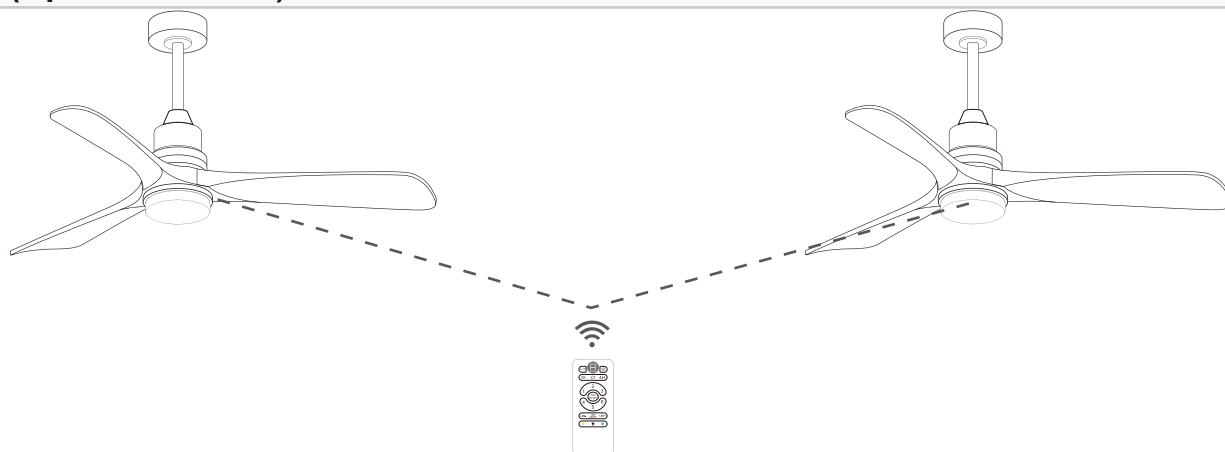
Installing one fan operating on multiple remote controls




To have multiple fans operated by a single remote control, you must pair the remote control to each additional receiver. The receiver that shipped with your fan is already paired to the remote control.

- Power cycle the fan by toggling the wall switch (or circuit breaker if needed).
Within 5 seconds long press the **Fan ON/OFF** () on your remote for 3 seconds to pair it.
- If applicable, the fan will turn on, along with a continuous beep to indicate successful pairing.

Installing multiple fans operating on a single remote control (Up to Two Fans)



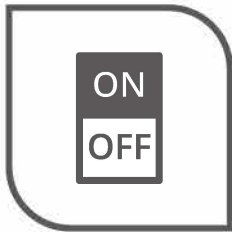
To have multiple fans operated by a single remote control, you must pair the remote control to each additional receiver. The receiver that shipped with your fan is already paired to the remote control.

- For each additional fan, ensure that a compatible receiver is installed. Disconnect power from all other fans while pairing.
- Power cycle the fan by toggling the wall switch (or circuit breaker if needed).
Within 5 seconds long press the **Fan ON/OFF** () on your remote for 3 seconds to pair it.
- If applicable, the fan will turn on, along with a continuous beep to indicate successful pairing.

LINK TO APP

10

Step 1



Turn Power ON

Step 2: Download App

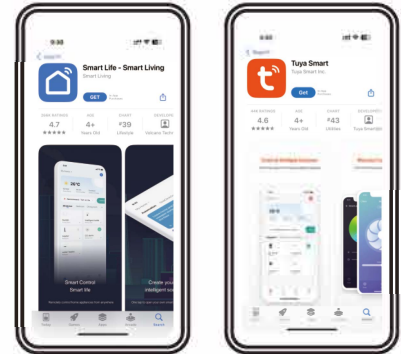
Smart Life

Search and Download the APP on your smart device

The following apps are also compatible:

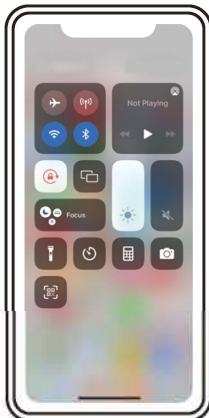


Tuya Smart



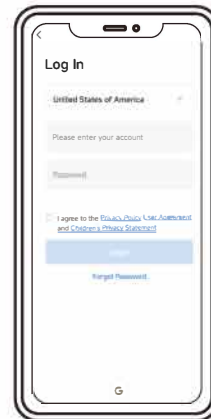
Step 3: Authorizations

Make sure that your Wi-Fi and using the "Smart Life" APP.



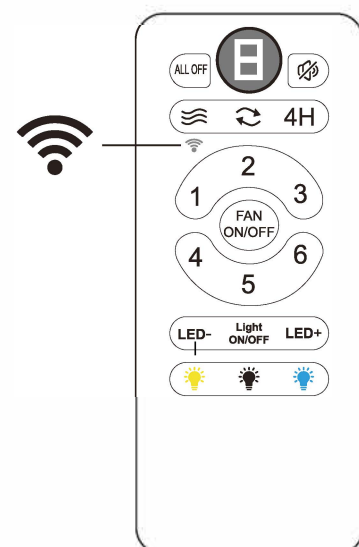
Step 4: Sign Up and Log In

If this is your first time logging in, please register for an account first.



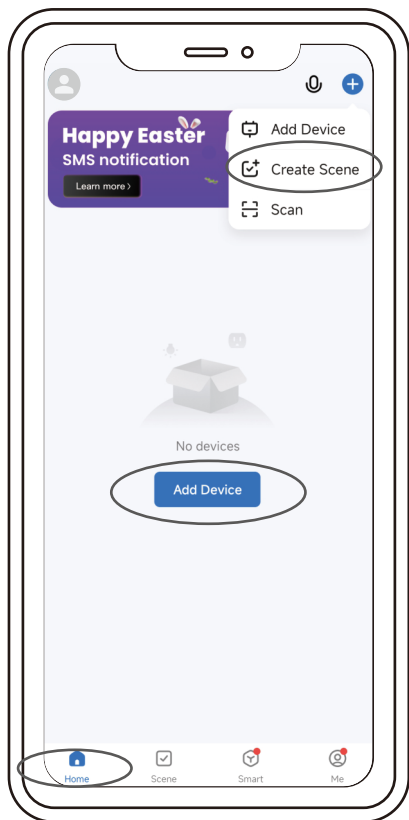
Step 5: Wi-Fi Pairing

Turn the fan power off and back on at the switch, then within 10 seconds press the "Natural Wind" button for 3 seconds to pair the wi-fi. When it beeps, the pairing indicating successful.

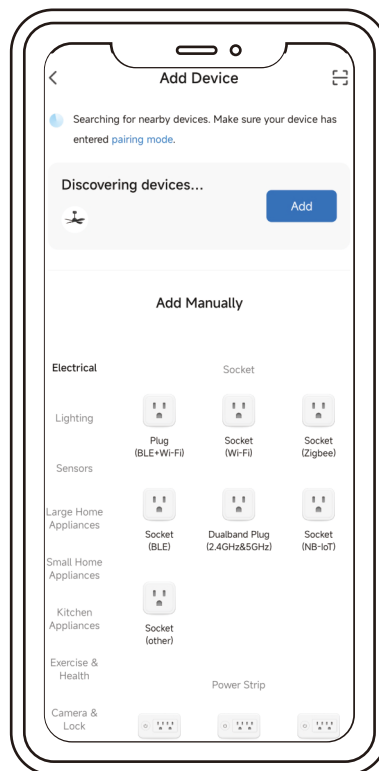


Step 6

① Select "Add Device" or click the "+" in the upper right corner.



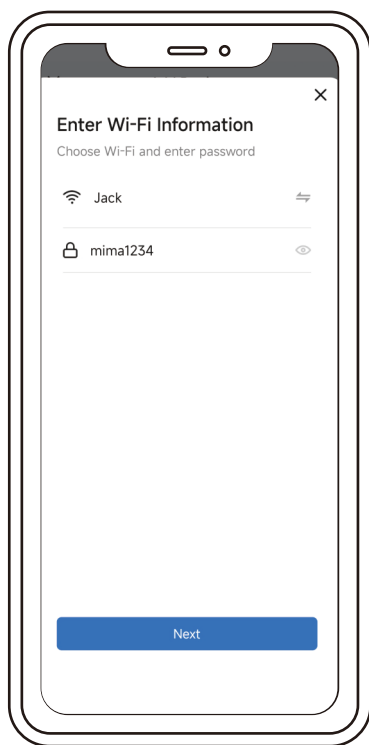
② Find the Fan Device, click "ADD".



Tip: If you are unable to search for the device, repeat step 5 to reset.

Step 7

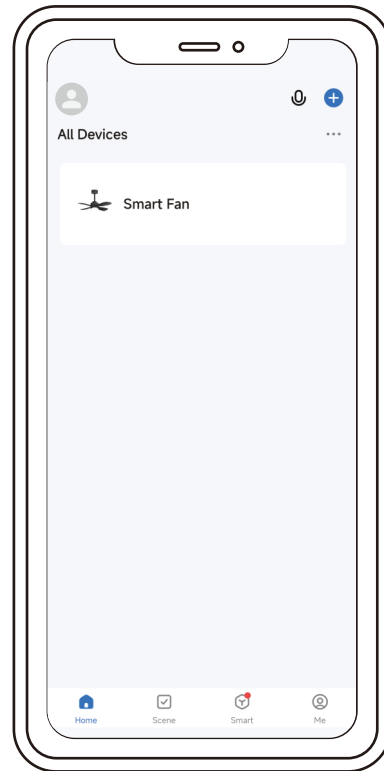
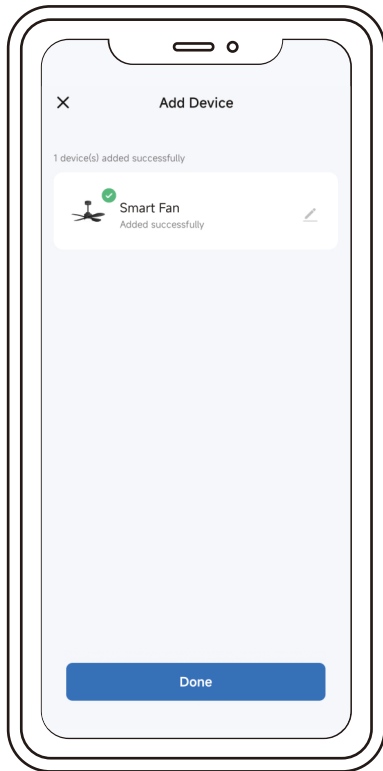
① Fill in your 2.4GHz WiFi name and password, then click "Next". Make sure the fan is connected to the same WiFi as the device.



Step 8

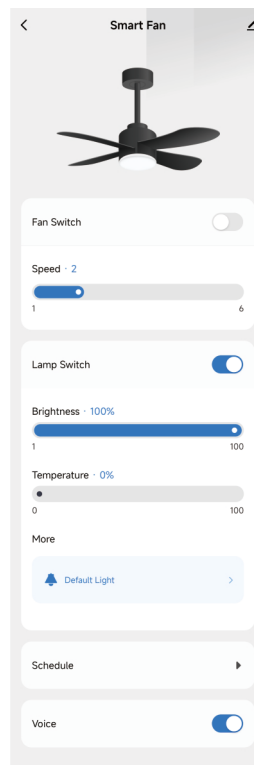
1 After you have edited and saved the product name, click "DONE" to complete set up.

2 Device added successfully.



Step 9

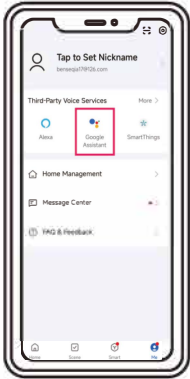
Congratulations! You can use your mobile phone to control your fan!



LINK TO GOOGLE

11

1 On the "ME" page, click "Google Assistant".



2 Follow the prompts to link with google assistant.



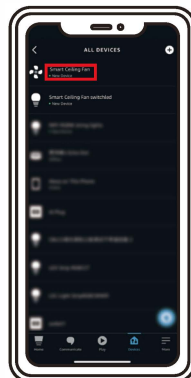
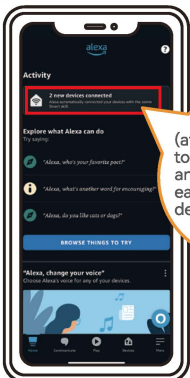
3 Click "Continue"



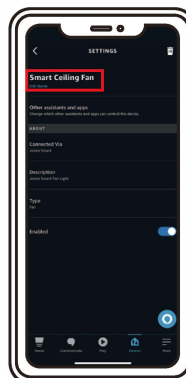
4 Click "Agree and link", the connection to google was successful



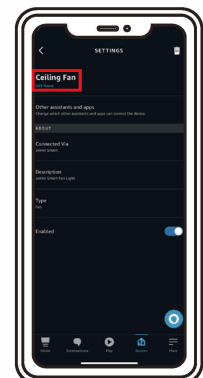
5 In the Google app interface, click on "2 new devices connected".



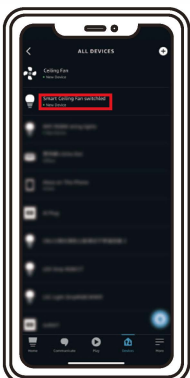
7 Click on the device name, modify to the name you want.



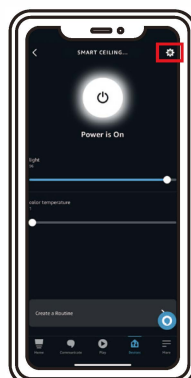
8 Modify successfully, return to the previous screen.



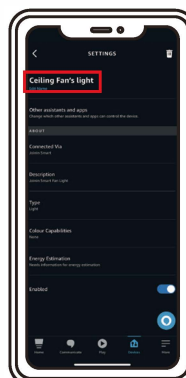
9 Similarly, select the light and change the name of the light.



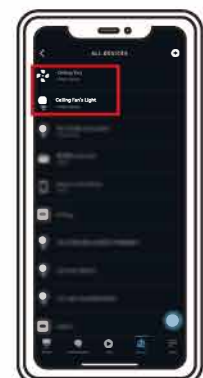
10 Click "Settings" in the upper right corner.



11 Click on the device name, modify to the name you want.



12 Now you can control your light and fan with alexa commands!



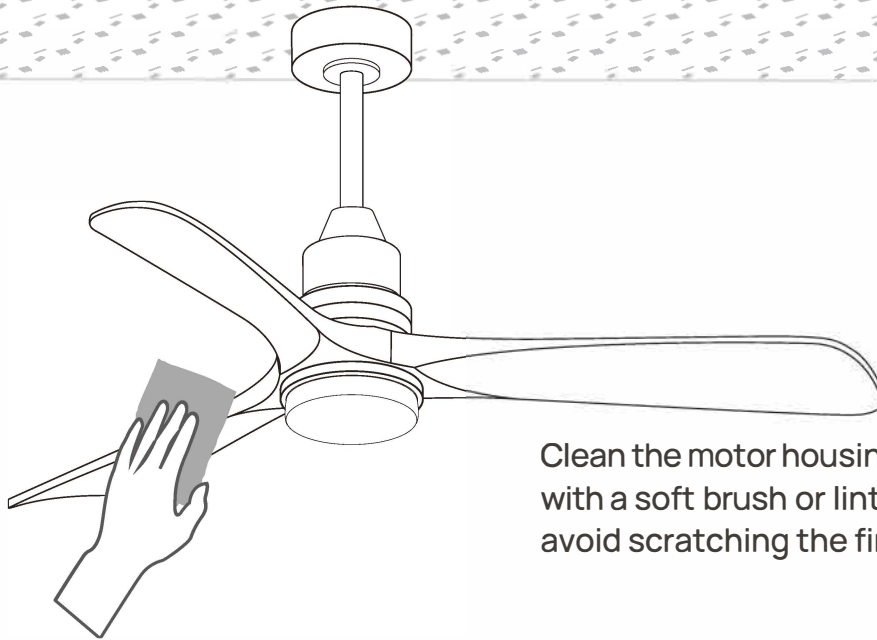
GOOGLE - VOICE CONTROL COMMAND LIST

Note: Command the voice control with the newly edited device name.

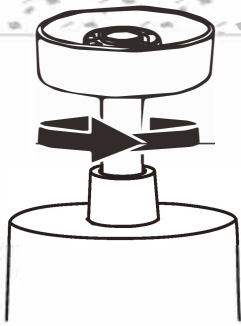
Feature Name	GOOGLE English(US)
Fan Power	"OK Google, turn on <Device Name>." "OK Google, turn off <Device Name>."
Light Switch	"OK Google, turn on light for the <Device Name>." "OK Google, turn off light for the <Device Name>."
Wind Speed Level Setting	"OK Google, set <Device Name> to (1-5)."
Color Temperature Setting	"OK Google, set the <Device Name> to cool white." "OK Google, set the <Device Name> to warm white." "OK Google, set the <Device Name> to neutral white."
Brightness Setting	"OK Google, what is the brightness level of <Device Name>?" "OK Google, adjust <Device Name> to 65% brightness." "OK Google, brighten the <Device Name>" "OK Google, dim the <Device Name>"
Forward / Reverse	"OK Google, set direction to summer on <Device Name>." "OK Google, set direction to winter on <Device Name>."
Light Countdown(Timer)	"OK Google, run <Device Name> timer for 1 hour." "OK Google, how much time is left on <Device Name> timer?" "OK Google, stop the <Device Name> timer." "OK Google, pause the <Device Name> timer." "OK Google, resume the <Device Name> timer."
Fan Countdown(Timer)	"OK Google, run <Device Name> timer for 1 hour." "OK Google, how much time is left on <Device Name> timer?" "OK Google, stop the <Device Name> timer." "OK Google, pause the <Device Name> timer." "OK Google, resume the <Device Name> timer."
Fan Mode	"OK Google, set mode to normal on <Device Name>." "OK Google, set mode to natural on <Device Name>."

CLEANING AND MAINTENANCE

12



Clean the motor housing and blades with a soft brush or lint-free cloth to avoid scratching the finish.



At least twice each year, lower the canopy to check the downrod assembly and tighten all screws on the fan.



- Shut off the main power supply before you begin any maintenance task.
- **DO NOT** use water or a damp cloth to clean the fan.
- Cleaning products may damage the finishes.



NOISE

When it is quiet (especially at night) you may hear occasional small noises. This is normal. Please allow a 24-hour “breaking-in” period, most noises associated with a new fan disappear during the time.

Your fan may occasionally jerk forward or backward upon starting up. This is normal and does not affect the fan operation. Try these troubleshooting steps before contacting customer service.

Problem	Solution
<p>Fan not spinning</p>	<ul style="list-style-type: none"> • Make sure the fan is getting power. • Check your circuit breaker or fuse panel and wall switch for functionality. • Check to make sure the fan wires are correctly connected to the house wires. • Remote control must be paired with the fan within 1 minute after connecting the fan to the electricity. • Use a multi-meter and test the adapter wiring harness to see if there is any electrical output. • All the pin wiring on the circuit board must be inserted tight and in the correct position. • Remote needs to be paired with the fan first. • Make sure the fan blades spin freely. • If you're using a wall control, check the power to the breaker from your control and try working your ceiling fan manually. (Normal switch only for the fan power on/off)
<p>Fan light not working</p>	<ul style="list-style-type: none"> • Make sure LED wires are connected to the circuit board. • Make sure the whole fan is powered.
<p>The fan is noisy and wobbling</p>	<ul style="list-style-type: none"> • Check if the blade screws are NOT rubbing against any part of the motor housing. • Check the pin wires are NOT connected against any moving parts. • Check the down fan cup is NOT hitting the motor. • Confirm the canopy is NOT touching the ceiling while the fan is in operation. • Check the down rod is NOT slanted. • Tighten any loose screws on the light kit, fan blades, motor coupling, down rod, brackets and mounting hardware. • Confirm the hanger ball is firmly seated in the mounting bracket. • The ceiling beam must meet the minimum tensile test strength of 30KG for installation. • Make sure the blades and brackets are NOT bent or deformed. • Verify the wire connections are not rattling against each other. • Verify the fan blades are not cracked. If the fan blades are cracked, replace the damaged blades with a new blade set from the same brand as your ceiling fan to ensure compatibility. • Confirm the light kit is NOT slanting and hitting the motor.
<p>The fan or light automatically turns on/off</p>	<ul style="list-style-type: none"> • Confirm the circuit breaker is not malfunctioning. • Verify the wire connections are not frayed. • Check the app is not set to a timer or schedule. • Cut the fan power for 10 minutes then power on again. • All the pin wiring on the circuit board must be inserted tight and in the correct position.

If your problem is not listed or still persists, please contact our Customer Support (see page 16)



Customer Service

01 30-Day Return Policy

If you're not completely satisfied with your purchase, simply return the merchandise via Wayfair Orders. Unused merchandise can be refunded or exchanged within 30 days from the original purchase date.

02 2-Year Warranty

We takes user experience very seriously, We provide you with good after-sales service, motor is guaranteed for ten (10) years and the whole fan warranty for two (2) years. If your appliance fails to operate properly within our warranty period, we will arrange a new replacement free of charge and cover all the shipping costs.

03 Quick Response within 12 Hours

If you are still unable to resolve the issue you are experiencing, please contact us immediately at our support email. It doesn't matter if the product has been installed; our customer support team will respond with in 12 hours and assist you quickly and efficiently. The most efficient way to convey your problem to us is to attach a video illustrating your product issue.